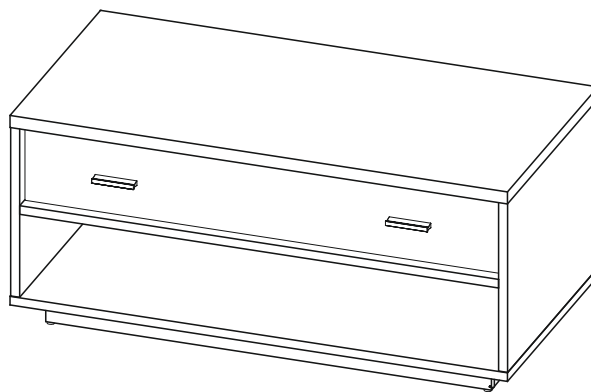


Darcy - Coffee Table/TV Stand

Assembly Instructions - Please keep for future reference

425/8827



Dimensions

Width - 100 cm

Depth - 50 cm

Height - 45 cm

Important - Please read these instructions fully before starting assembly

If you need help or have damaged or missing parts, call the **Customer Helpline: 0845 6400 800**



Safety and Care Advice

Important - Please read these instructions fully before starting assembly

- Check you have all the components and tools listed on pages 3 and 4.

- Remove all fittings from the plastic bags and separate them into their groups.

- Keep children and animals away from the work area, small parts could choke if swallowed.

- Make sure you have enough space to layout the parts before starting.

- Do not stand or put weight on the panels during assembly, this could cause damage.

- Assemble the unit as close to its final position (in the same room) as possible.

- Assemble on a soft level surface to avoid damaging the unit or your floor.

- Parts of the assembly will be easier with 2 people.

- If using power tools, please follow the safety instructions supplied with the tools.



- We do not recommend the use of power drill/ drivers for inserting screws, as this could damage the unit. Only use hand screwdrivers.

- Dispose of all packaging carefully and responsibly.

- **Warning:** The unit weighs approximately 29 kgs. **Please lift with care.**

Care and maintenance

- Only clean using a damp cloth and mild detergent, do not use bleach or abrasive cleaners.

- From time to time check that there are no loose screws on this unit.

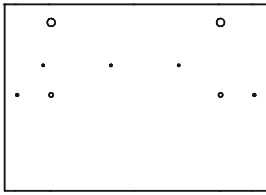
- This product should not be discarded with household waste. Take to your local authority waste disposal centre.

Note: if required the next page can be cut out and used as reference throughout the assembly. Keep this page with these instructions for future reference.

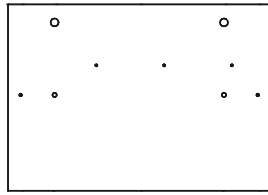
Component - Panels

If you have damaged or missing components
call the **Customer Helpline: 0845 6400 800**

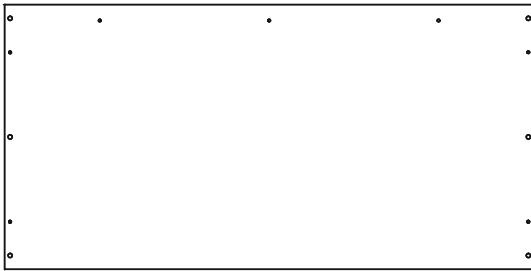
Please check you have all the panels listed below



1 Left side
(35.2 x 49.6cm)



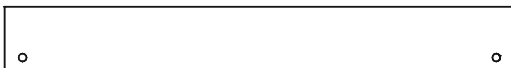
2 Right side
(35.2 x 49.6cm)



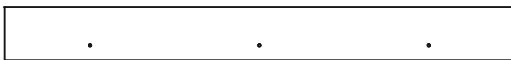
3 Top
(100 x 50.0cm)



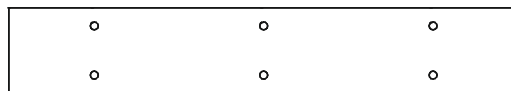
4 Bottom
(100 x 50cm)



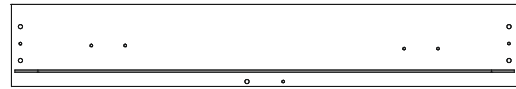
5 Front support
(96.3 x 12cm)



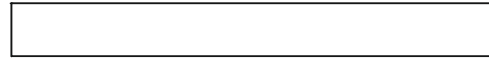
6 Back support
(96.3 x 12cm)



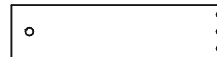
7 Back
(96.3 x 16.1cm)



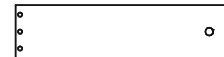
8 Drawer front
(95.7 x 15.2cm)



9 Drawer back
(90.7 x 10cm)



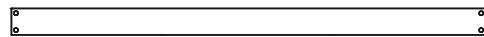
10 Drawer left side
(40 x 10cm)



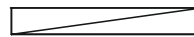
11 Drawer right side
(40 x 10cm)



12 Drawer base
(93.8 x 40,5cm)



13 Long plinth x 2
(89.6 x 5cm)



14 Short plinth x 2
(36 x 5cm)

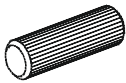







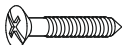
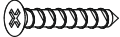



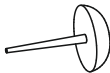

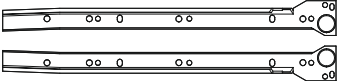

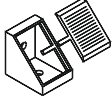
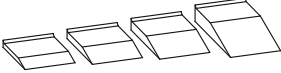
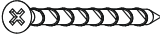


15 Drawer support
(40 x 10cm)

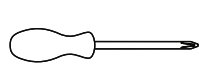


Components - Fittings

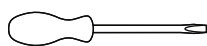
Please check you have all the fittings listed below

A  Wooden dowel x 41 (8x35)	B  5x13mm Screw x 6	C  (15x13) Locking nut x 17
D  Cap x 17	E  Metal dowel x 17	F  (7x50) Hexagon bolt x 6
G  Cap x 6	H  Handle x 2	I  3.5x27mm Screw x 4
J  3x20mm Screw x 6	K  Allen key x 1	L  3x16mm Screw x 9
M  3,5x16mm Screw x 12	N  Feet x 4	O  Stabilizer x 2
P  Runner x 1	Q  Runner x 1	R  Mounting bracket x 6
S  Height adjuster x 1	T  4x40mm Screw x 2	

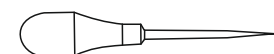
Tools required



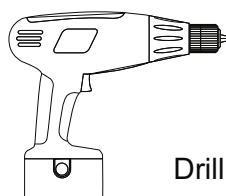
Phillips screwdriver
(medium & large)



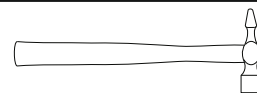
Flatblade screwdriver
(medium)



Punch



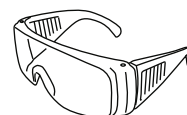
Drill



Small
hammer



Ruler/tape
measure



Eye protection
(when using a
hammer or glue)

Ruler - Use this ruler to help correctly identify the screws



Assembly Instructions

Step 1

a: Inserting dowels and locking nuts

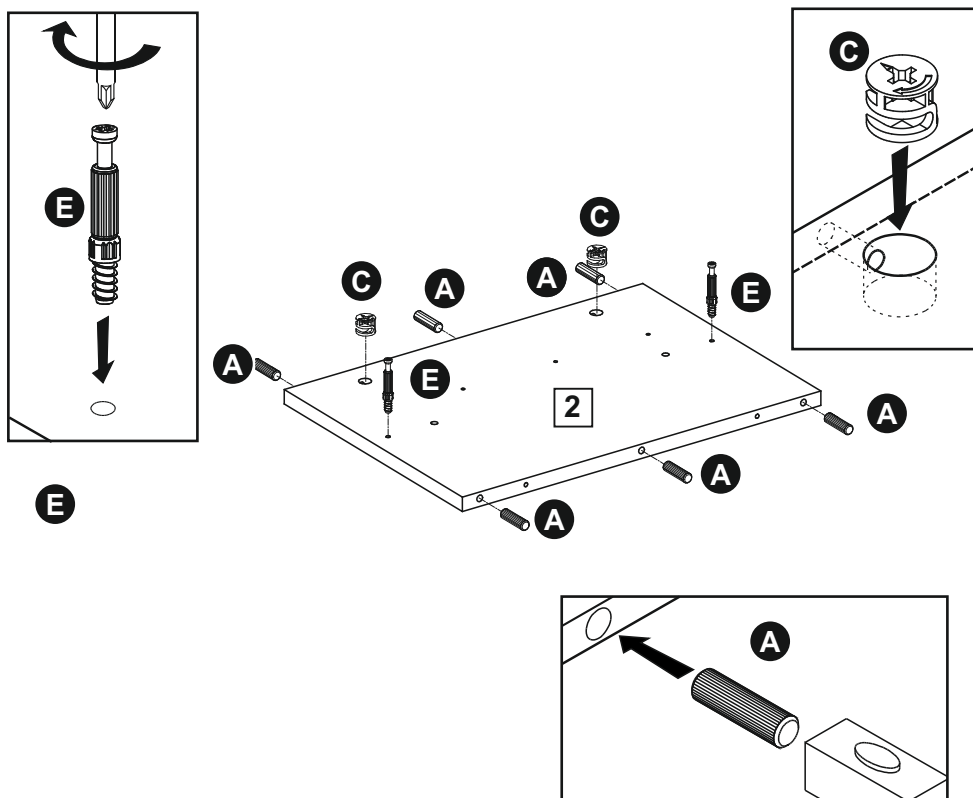
Insert locking nuts **C** into the right side panel **2**.

Insert wooden dowels **A** into the right side panel **2**.

Screw metal dowels **E**.



WARNING!
Please wear goggles or protective eyewear whilst hammering dowels in place.

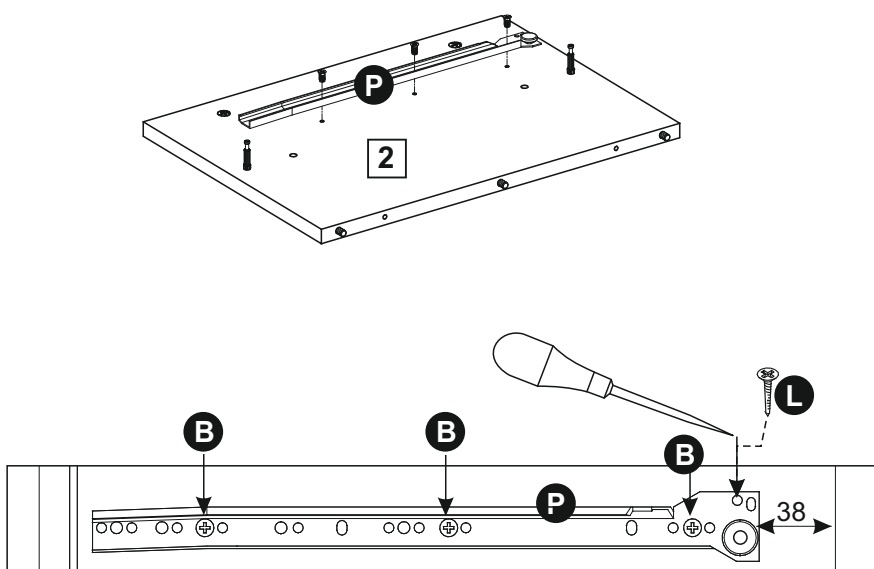


b: fixing runners **P**

Position runners 40mm from the front edge of the right side panel **2**.

Fix runners to right side panel **2** with screws **B**. Mark the top right with a punch. Screw **L** into the hole.

b:



Assembly Instructions

Step 2

a: Inserting dowels and locking nuts

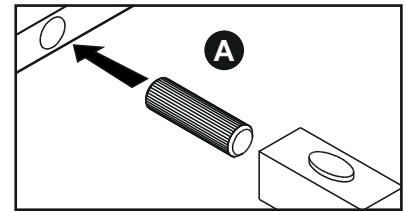
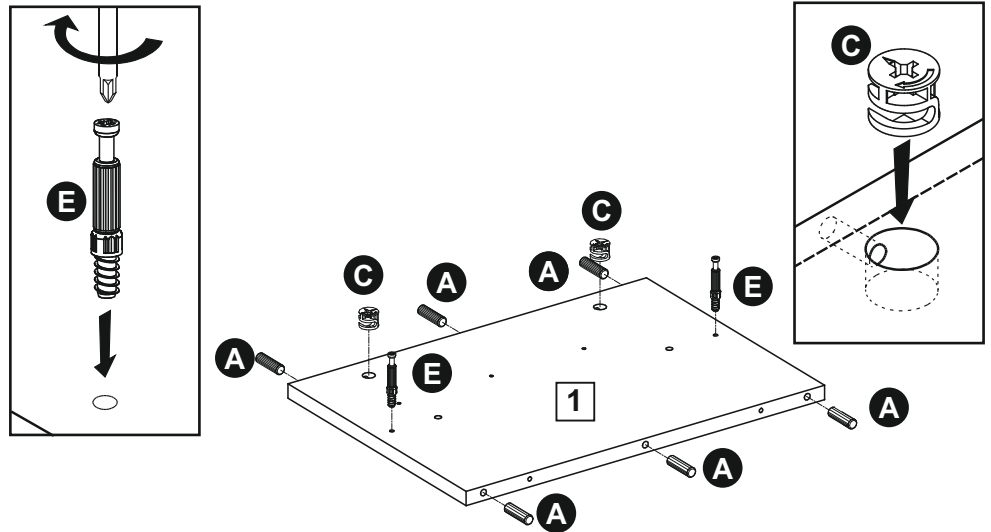
Insert locking nuts **C** into the left side panel **1**.

Insert wooden dowels **A** into the left side panel **1**.

Screw metal dowels **E**.



WARNING!
Please wear goggles or protective eyewear whilst hammering dowels in place.

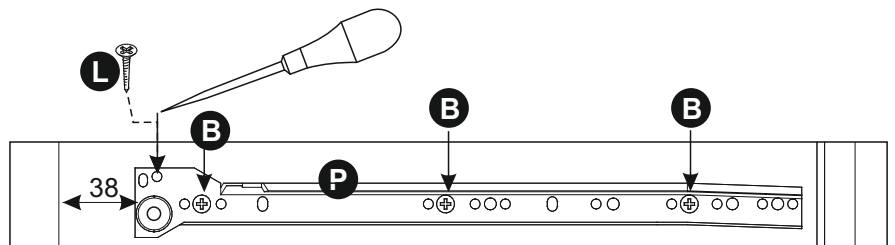
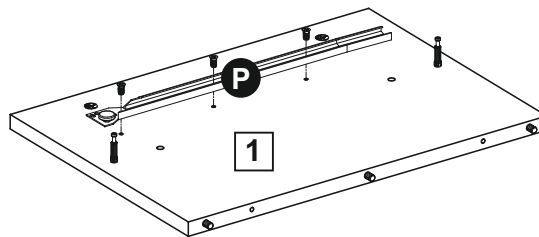


b: fixing runners **P**

Position runners 40mm from the front edge of the right side panel **1**.

Fix runners with screws **B**. Mark the top right with a punch. Screw **L** into the hole.

b:

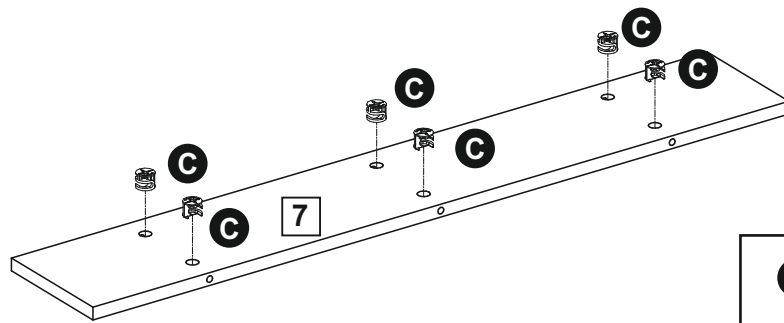


Assembly Instructions

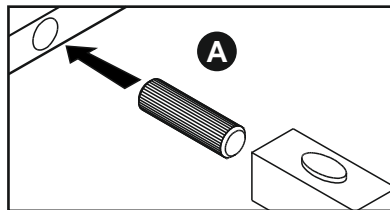
Step 3

a: Inserting dowels and locking nuts

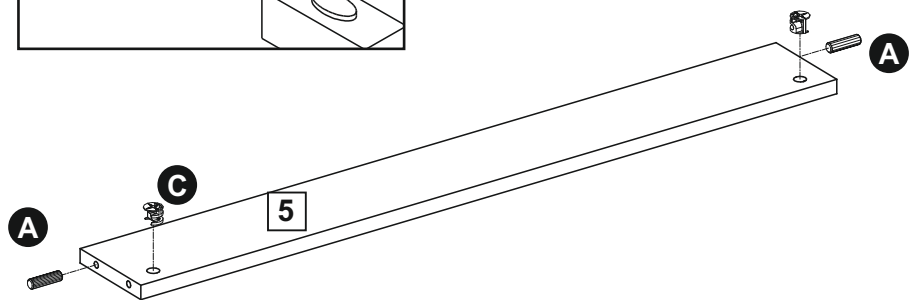
Insert locking nuts **C** into the back **7**.



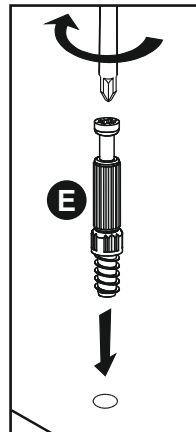
Insert wooden dowels **A** into the front support **5**.



Insert locking nuts **C**.



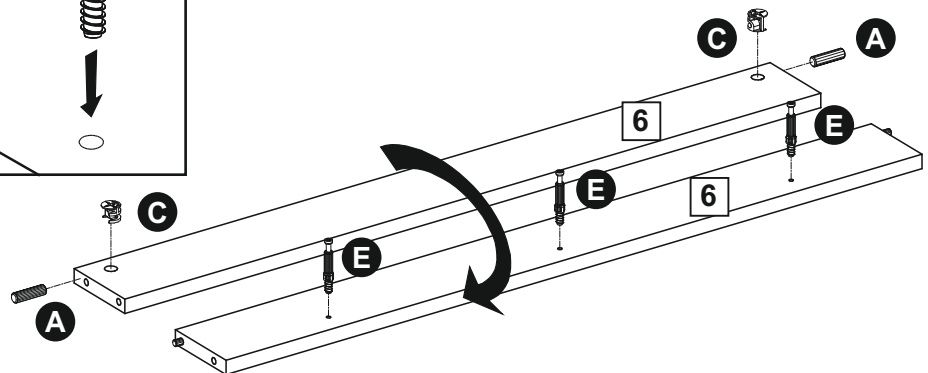
WARNING! Please wear goggles or protective eyewear whilst hammering dowels in place.



Insert wooden dowels **A** into the back support **6**.

Insert locking nuts **C**.

Rotate back support & screw metal dowels **E**.

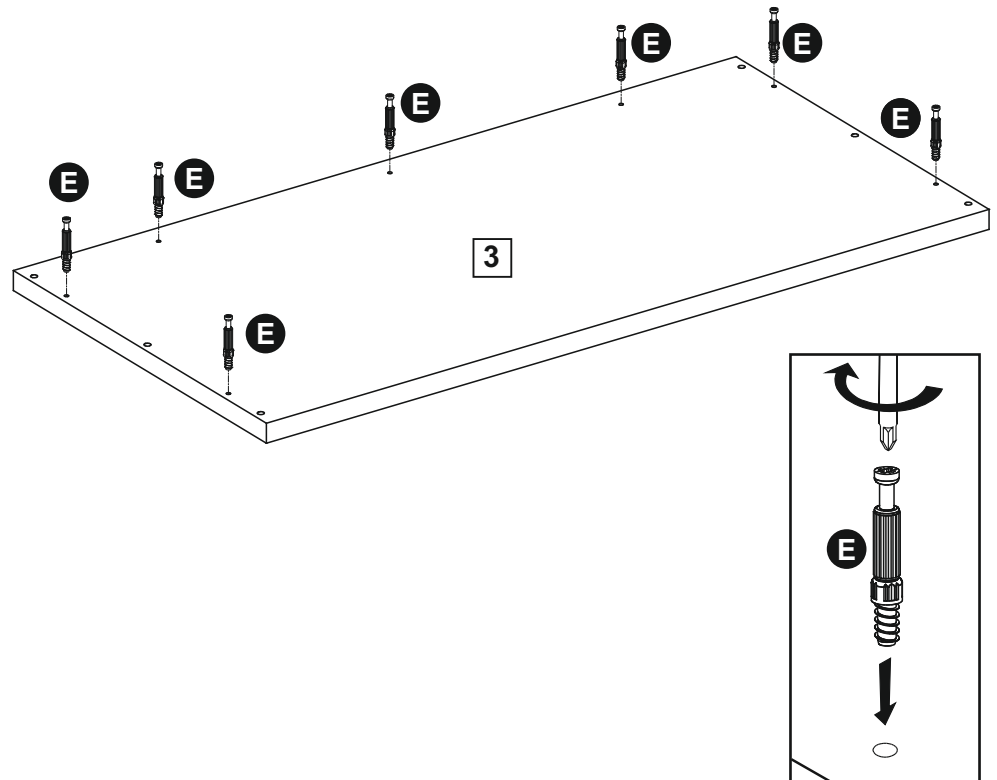


Assembly Instructions

Step 4

Fittings dowels

Screw metal dowels **E** into the top **3**.

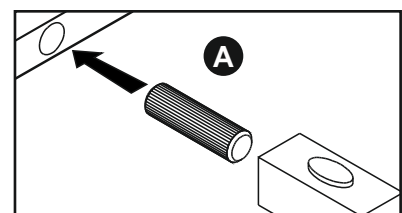
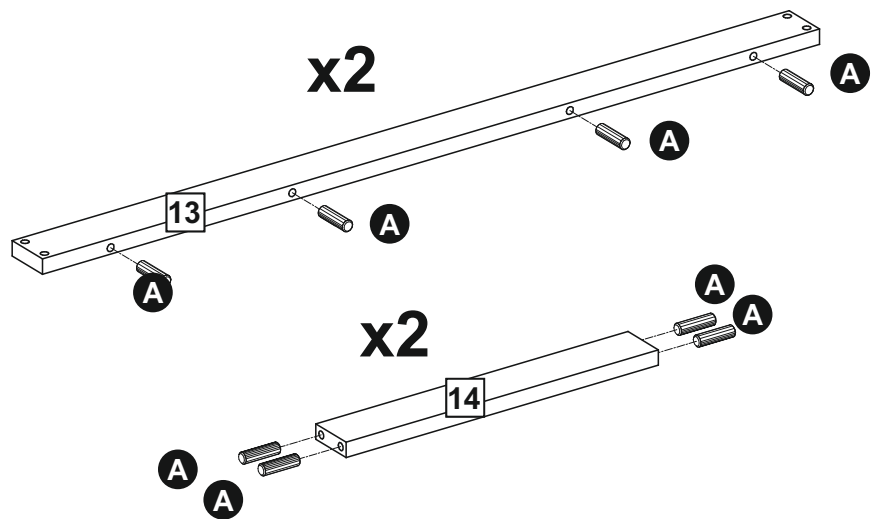


Step 5

Fittings dowels **A**

into the long plinth **13**.

Repeat with short plinth **14**.



WARNING!
Please wear goggles or protective eyewear whilst hammering dowels in place.

Assembly Instructions

Step 6

Attaching panels

Attach right side panel **2**

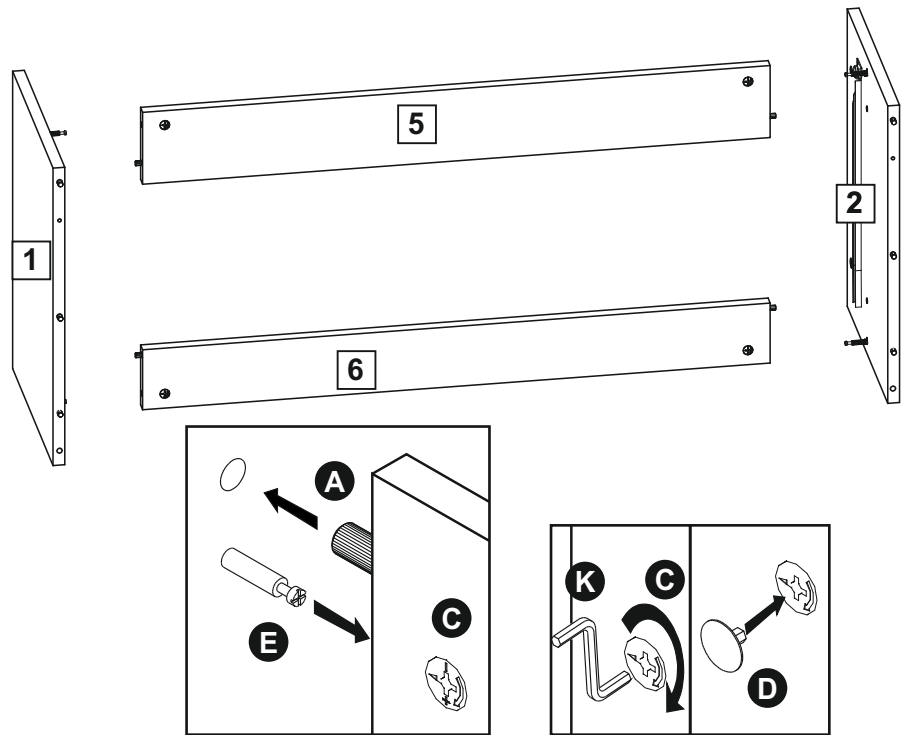
to the support **5** & **6**

Attach left side panel **1**

to the support **5** & **6**.

Use the allen key **K** to turn locking nuts **C** clockwise to lock.

Cover locking nuts with caps **D**.

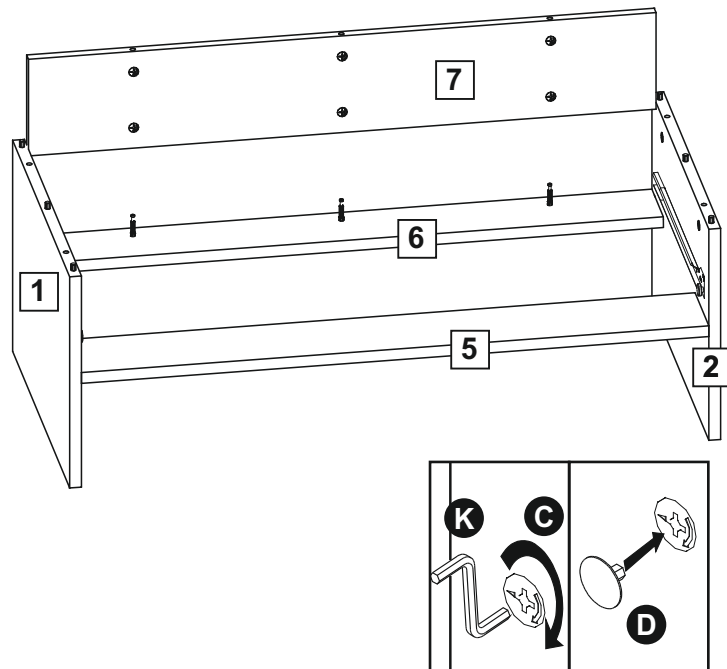


Step 7

Attach back **7** to the back support **6**

Use the allen key **K** to turn locking nuts **C** clockwise to lock.

Cover with caps **D**.



Assembly Instructions

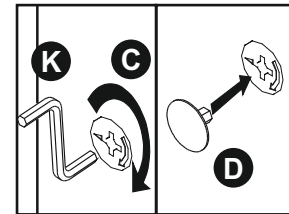
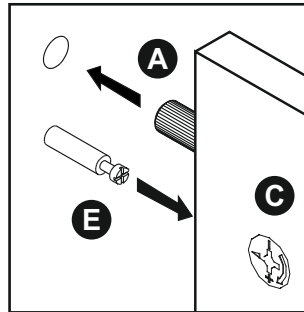
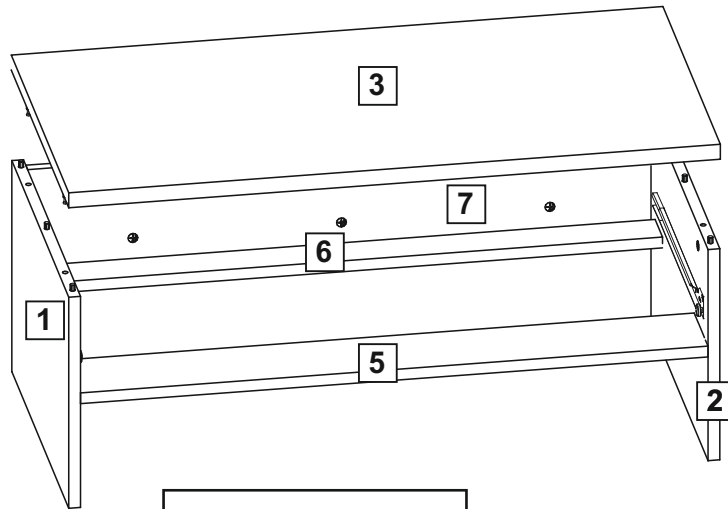
Step 8

Attaching panels

Attach top **3** to the left side panel **1**, right side panel **2** & back **7**.

Use the allen key **K** to turn locking nuts **C** clockwise to lock.

Cover locking nuts with caps **D**.

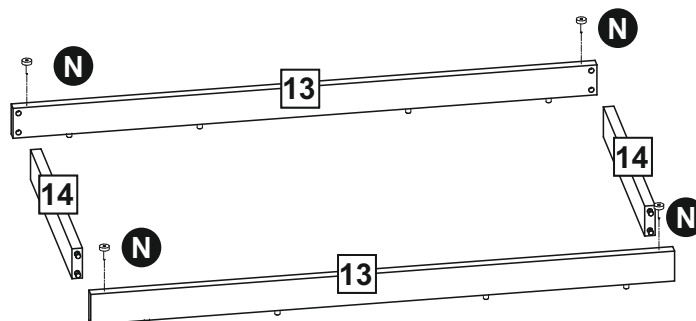


Step 9

Attaching plinth

Attach feet **N** to the long plinth **13**.

Attach long plinth **13** to the short plinth **14**.



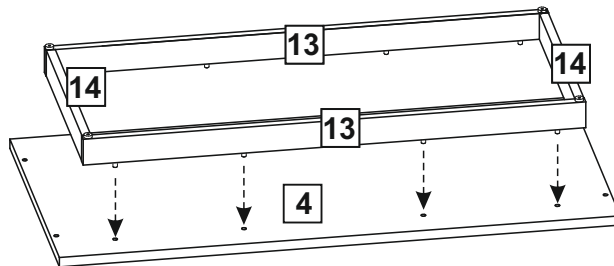
WARNING! Please wear goggles or protective eyewear whilst hammering sliders in place.

Assembly Instructions

Step 10

Attaching plinth

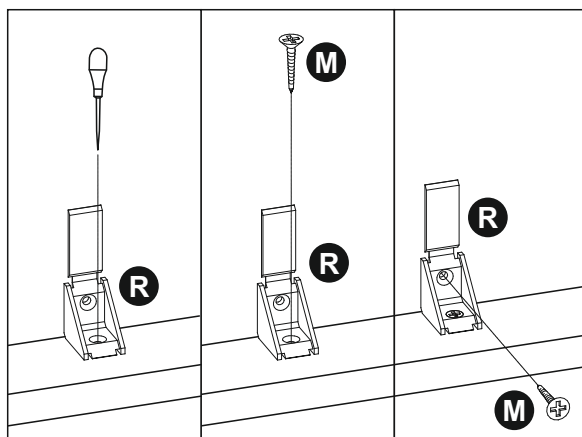
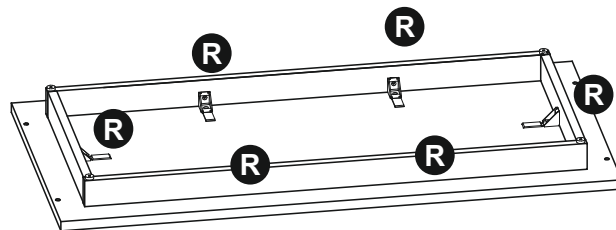
Fit long plinth **13**
& short plinth **14** to the
bottom **4**.



Step 11

Mounting bracket

Place mounting
bracket **R** onto the
assembly as shown.
Mark holes with a
punch and fix the
bracket with screws **M**.



Assembly Instructions

Step 12

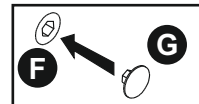
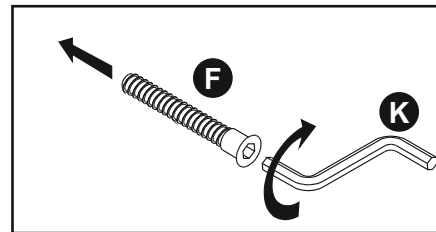
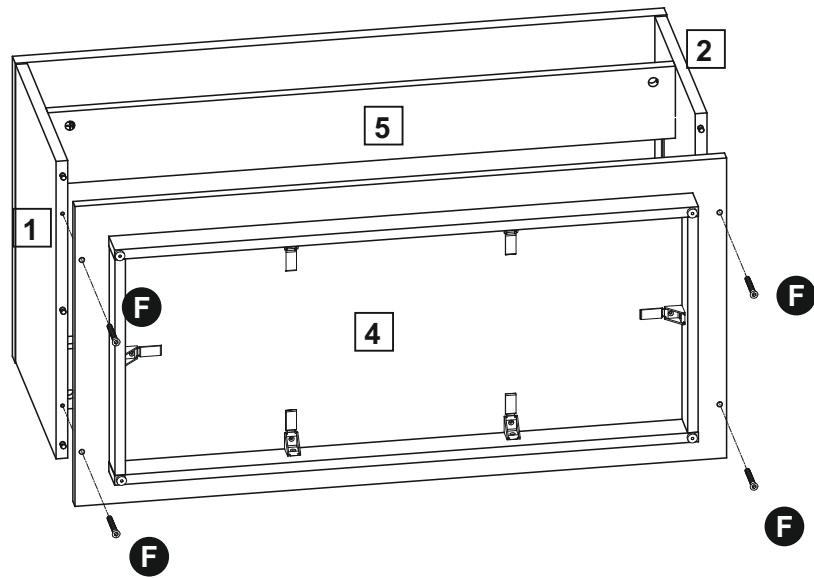
Attaching bottom

Attach bottom **4** to the sides

Use hexagon bolt **F**

& allen key **K** .

Cover bolts with caps **G** .



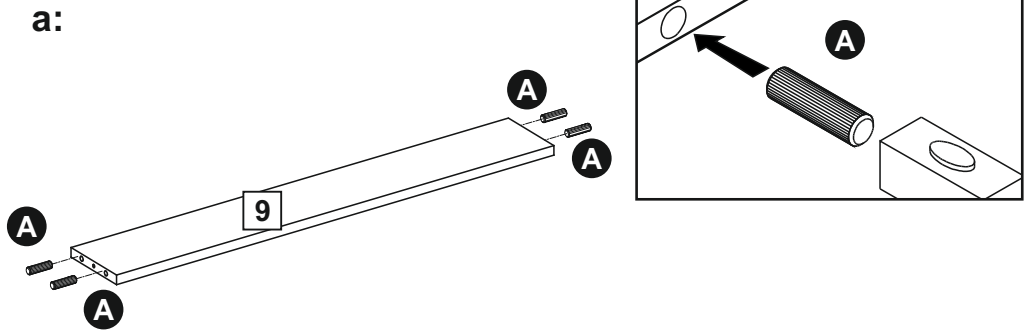
Assembly Instructions

Step 13

Drawer assembly

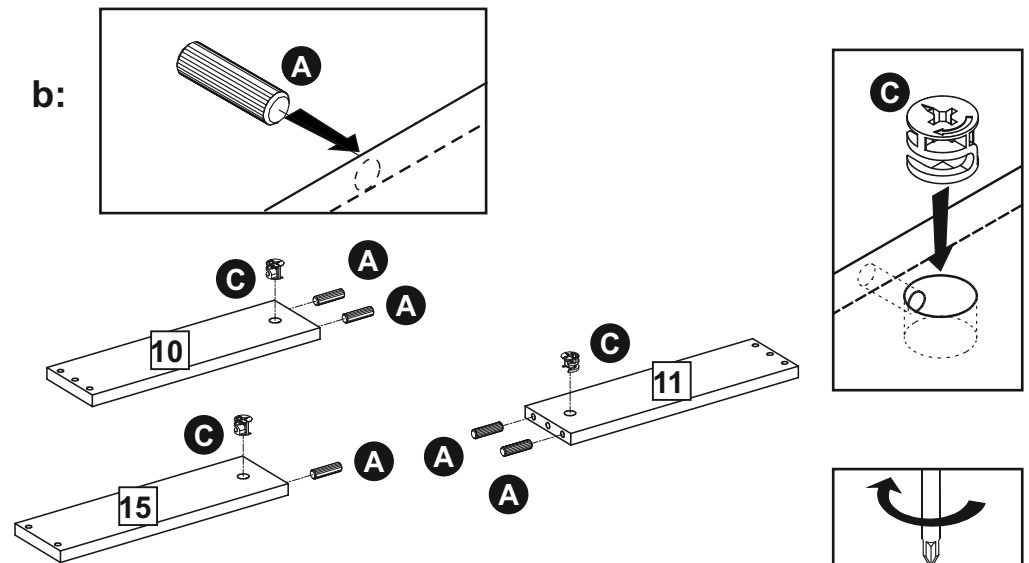
a: drawer back:

Insert wooden dowels **A** into the drawer back **9**.



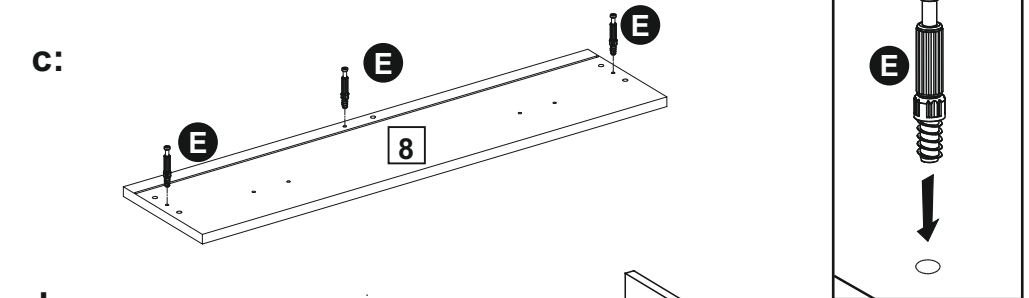
b: Insert locking nuts into the drawer sides **10, 11** & support **15**.

Insert wooden dowels **A** into the drawer sides & support **15**.



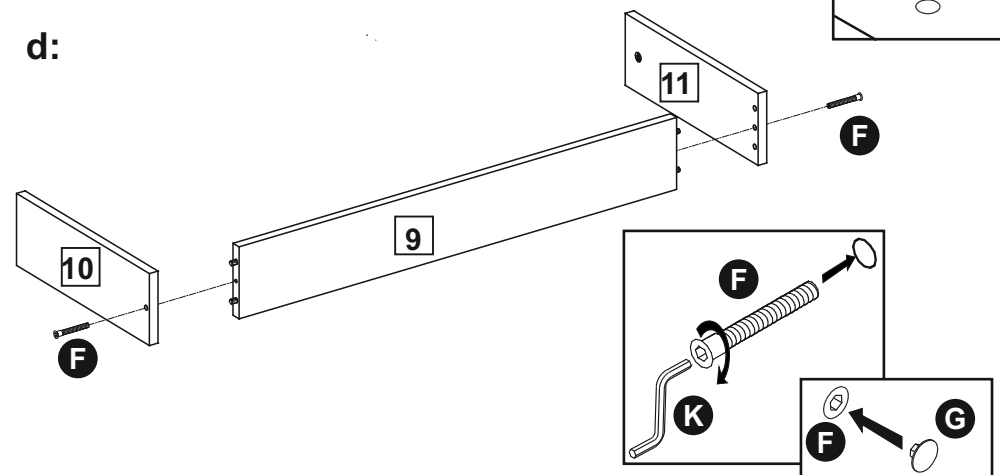
WARNING!
Please wear goggles or protective eyewear whilst hammering dowels in place.

c: Screw metal dowels **E** into the drawer front **8**.



d: Fix drawer sides **10** & **11** to the drawer back **9** using hexagon bolt **F**.

Cover bolts with caps **G**.



Assembly Instructions

Step 14

Drawer assembly

a: Attach drawer front **8** to the drawer sides.

Use the allen key **K** to turn locking nuts **C** clockwise to lock. Cover locking nuts with caps **D**.

b: Attach drawer base **12** using screws **L** &

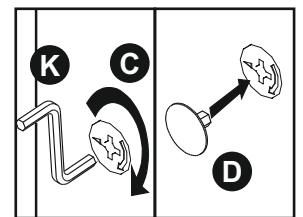
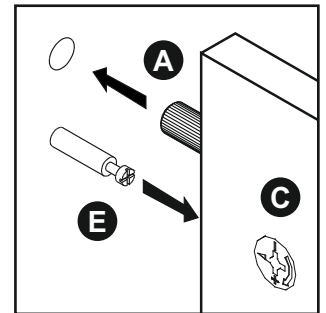
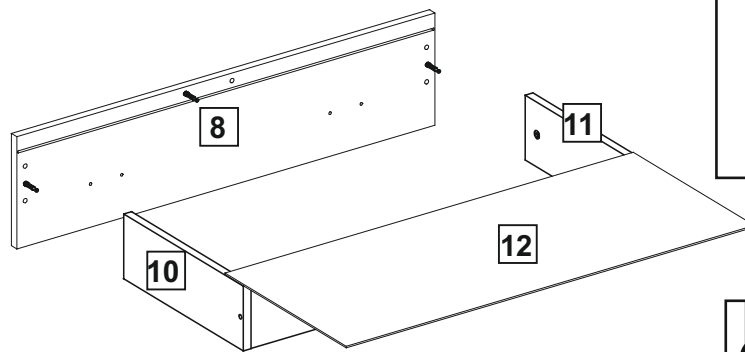
stabilizer **O**.



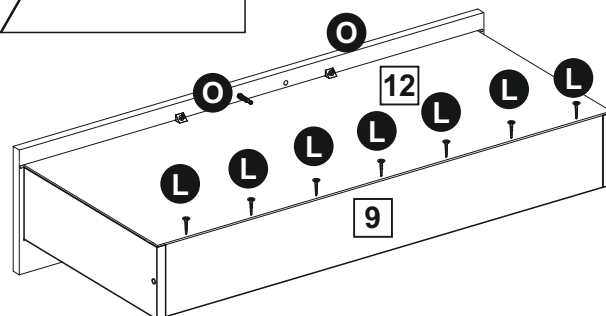
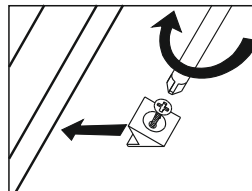
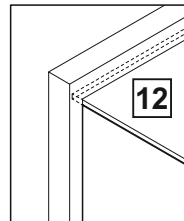
IMPORTANT! Drawer **MUST** be "square" when base is attached.

c: Attach runner **Q** using screws **J**.

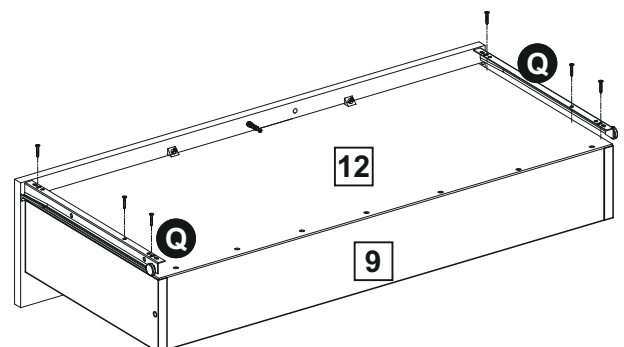
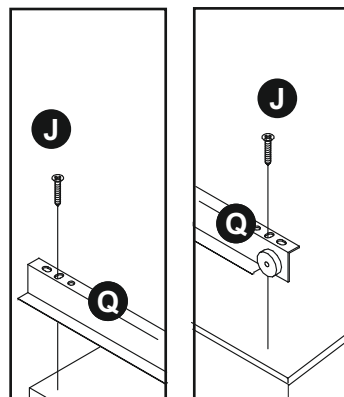
a:



b:



c:



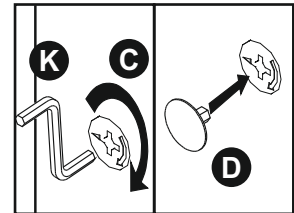
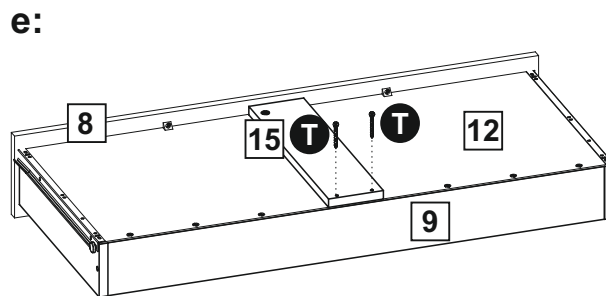
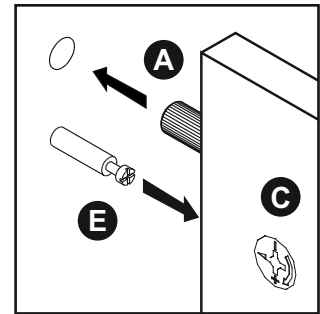
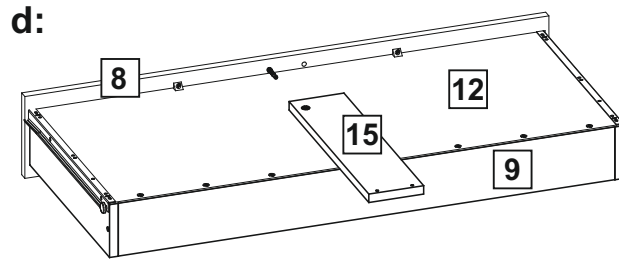
Assembly Instructions

Drawer assembly

d: Attach drawer support **15** to the drawer front **8**.

Use the allen key **K** to turn locking nuts **C** clockwise to lock. Cover with caps **D**.

e: Fix drawer support **15** using screw **T**.



Step 15

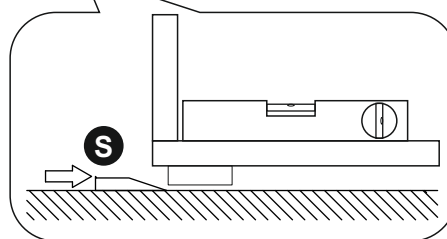
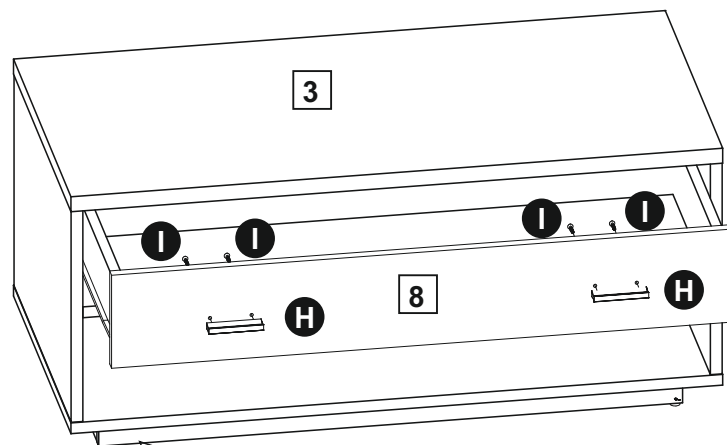
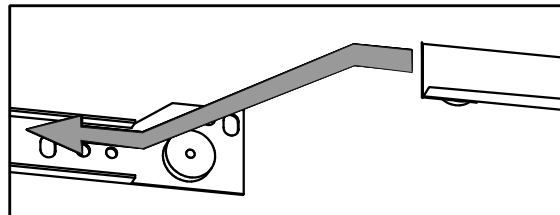
Leveling

Insert drawer into the cabinet.

Attach door handles **H** using screws **I**.

Place a spirit level on top **3**. Where necessary, insert height adjuster **S** to make top **3** level.

Assembly is complete.



If you need help or have damaged or missing parts, call the **Customer Helpline: 0845 6400 800**