

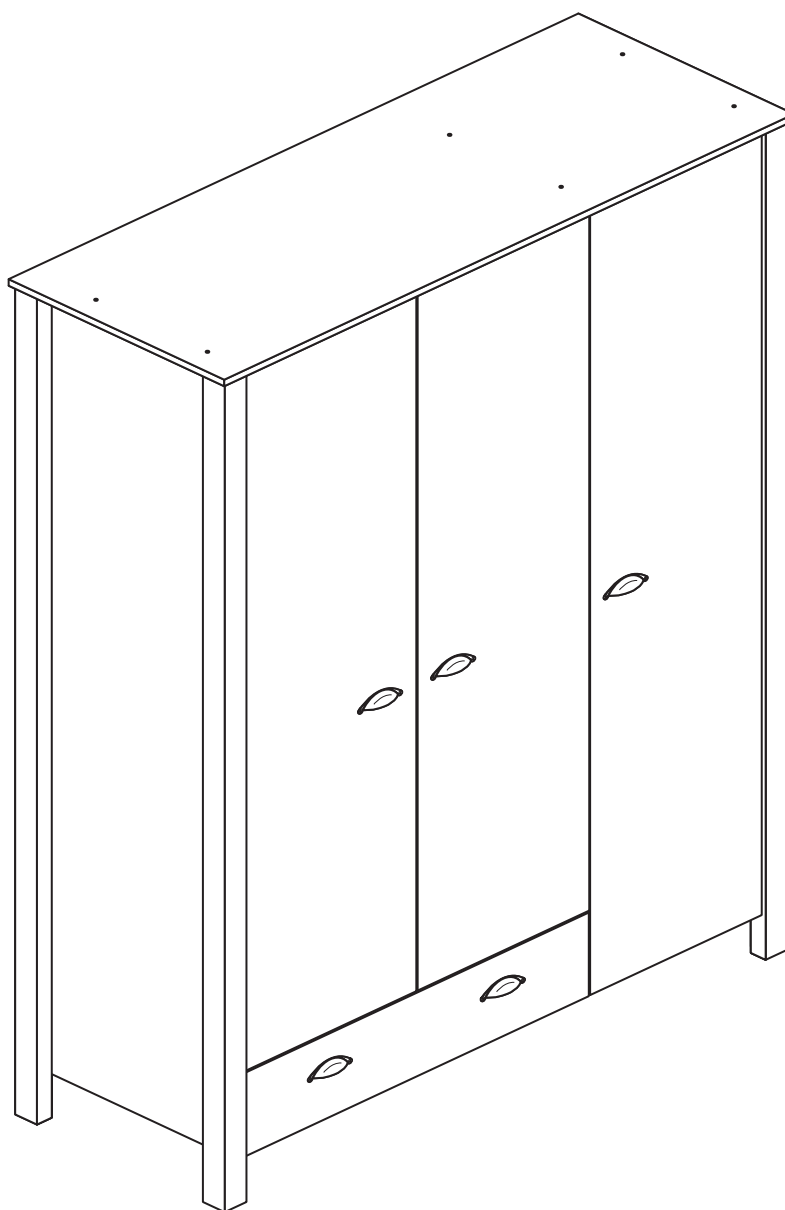
Marlow - 1 Drawer 3 Door Robe

Assembly Instructions - Please keep for future reference

425/8009

427/7059

426/9768



Dimensions

Width - 130.8cm

Depth - 49.5cm

Height - 191.8cm



MADE IN
BRITAIN

Important - Please read these instructions fully before starting assembly

If you need help or have damaged or missing parts, please visit www.argos-support.co.uk or email: Help@ClickSpares.co.uk (quoting your original order number)

Alternatively, call the Spares Helpline on: 0370 112 1928.

For any other queries please contact the Customer Helpline on: 0345 640 2020



Safety and Care Advice

Important - Please read these instructions fully before starting assembly

- **Warning:** This unit weighs approximately 88kgs. Please lift with care.
- Check you have all the components and tools listed on pages 2 and 3.
- Remove all fittings from the plastic bags and separate them into their groups.
- Keep children and animals away from the work area, small parts could choke if swallowed.
- Parts of the assembly will be easier with 2 people.

- Make sure you have enough space to layout the parts before starting.
- Do not stand or put weight on the product, this could cause damage.
- Assemble the item as close to its final position (in the same room) as possible.
- Assemble on a soft level surface to avoid damaging the unit or your floor (use opened out unit carton).



- We do not recommend the use of power drill/drivers **for inserting screws**, as this could damage the unit. Only use hand screwdrivers.

- **Safety note:** It is recommended that this unit is secured to a wall using the overbalance protector kit supplied or, an alternative fixing method of your choice.
- Dispose of all packaging carefully and responsibly.

Care and maintenance

- Only clean using a damp cloth and mild detergent, do no use bleach or abrasive cleaners.
- From time to time check that there are no loose screws on this unit.
- This product should not be discarded with household waste. Take to your local authority waste disposal centre.

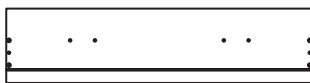
Components - Panels

If you need help or have damaged or missing parts, please visit www.argos-support.co.uk or email: Help@ClickSpares.co.uk (quoting your original order number)

Alternatively, call the Spares Helpline on: 0370 112 1928.

For any other queries please contact the Customer Helpline on: 0345 640 2020

Please check you have all the panels listed below



1 Drawer Front (DF3630)
(79.1 x 19.2cm)



2 Left Drawer Side (W370-124LH)
(37 x 12.4cm)



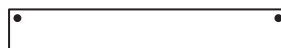
3 Right Drawer Side (W370-124RH)
(37 x 12.4cm)



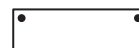
4 Drawer Back (W765-124)
(76.5 x 12.4cm)



5 Drawer Base (T776-367)
(77.6 x 36.7cm)



6 Large Rail (DF3742)
(79.7 x 11.9cm)



7 Small Rail (DF3926)
(38.2 x 11.9cm)



8 Foot (D3090)
(10 x 5cm)



9 Large Shelf (DF3930B)
(79.7 x 45.9cm)



10 Small Shelf (DF3923)
(38.2 x 45.7cm) x 3



11 Leg (DF3631)
(190.3 x 5cm) x 4



12 Hanging Rail (FHR791)
(79.1cm long)

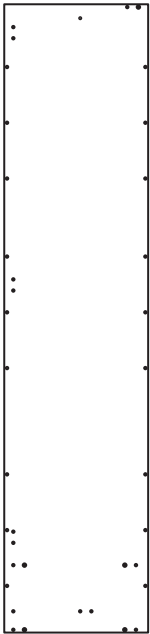
Components - Panels

If you need help or have damaged or missing parts, please visit www.argos-support.co.uk or email: Help@ClickSpares.co.uk (quoting your original order number)

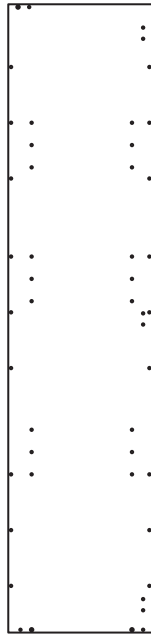
Alternatively, call the Spares Helpline on: 0370 112 1928.

For any other queries please contact the Customer Helpline on: 0345 640 2020

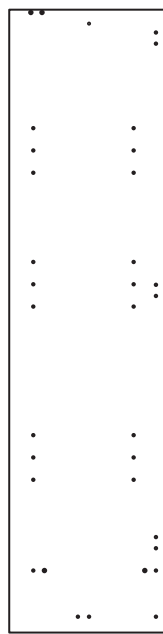
Please check you have all the panels listed below



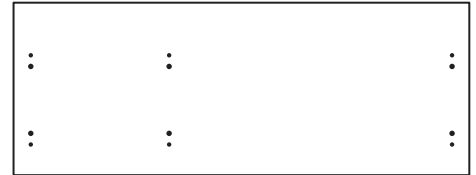
13 Left Side (DF3929)
(180.3 x 41.3cm)



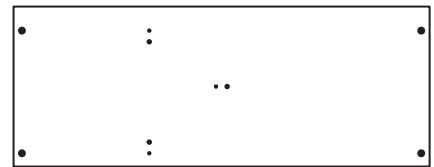
14 Right Side (DF3925)
(180.3 x 41.3cm)



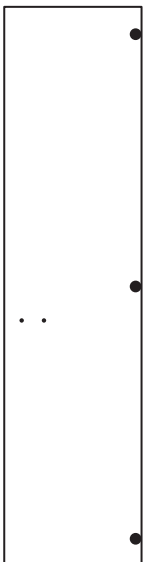
15 Divider (DF3924)
(178.75 x 45.9cm)



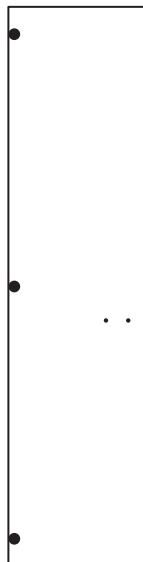
16 Top (DF3921)
(130.8 x 49.5cm)



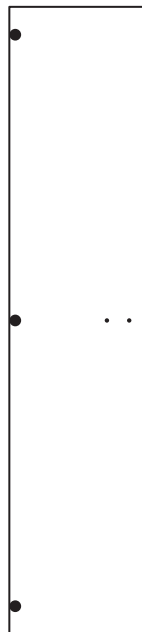
17 Base (DF3922)
(119.4 x 45.9cm)



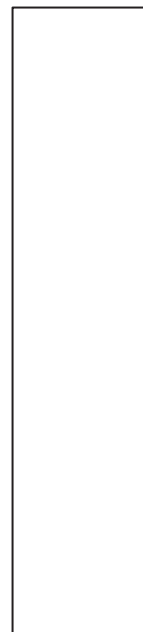
18 Left Door (DF3932)
(160.5 x 39.4cm)



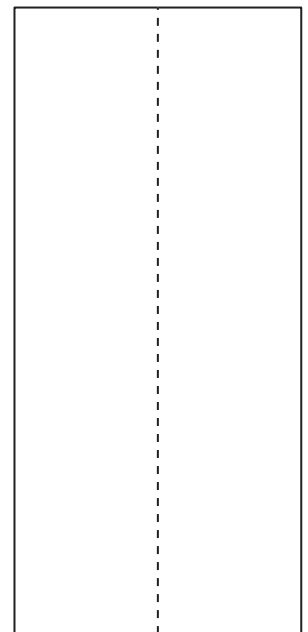
19 Middle Door (DF3938)
(160.5 x 39.4cm)



20 Right Door (DF3920)
(180 x 39.4cm)



21 Small Back (X1798-401)
(179.8 x 40.1cm)



22 Large Back (X1798-823)
(179.8 x 82.3cm)

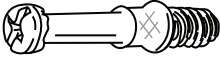










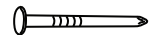
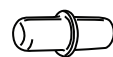



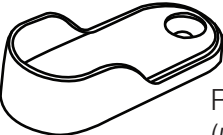
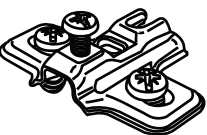
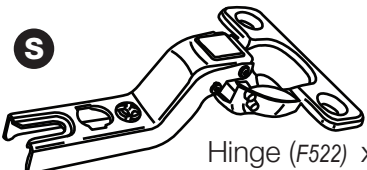
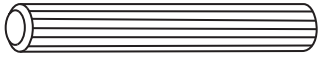
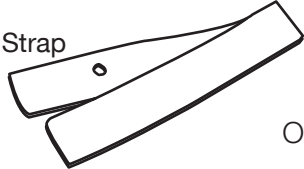



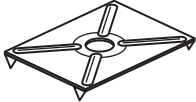



Components - Fittings

If you have damaged or missing components, call the **Customer Helpline: 03456 400800** quoting the reference numbers below

Please check you have all the fittings listed below

Note: The quantities below are the correct amount to complete the assembly. In some cases more fittings may be supplied than are required.

<p>A </p> <p>Metal dowel (F901) x 12</p>	<p>B </p> <p>Large locking nut (F900) x 12</p>	<p>C </p> <p>Small locking nut (F3) x 2</p>	
<p>D </p> <p>Wooden dowel (F22) x 19</p>	<p>E </p> <p>Knock-in Peg (F1716Y) x 4</p>	<p>F </p> <p>40mm Screw (F910) x 9</p>	
<p>G </p> <p>38mm Screw (F81) x 36</p>	<p>H </p> <p>19mm Screw (F461) x 10</p>	<p>I </p> <p>9mm Screw (F73) x 4</p>	<p>J </p> <p>9mm Screw (F74) x 2</p>
<p>K </p> <p>13mm Screw (F63) x 22</p>	<p>L </p> <p>Nail (F51) x 40</p>	<p>M </p> <p>Shelf stud (F110) x 12</p>	<p>N </p> <p>Wedgefix (F639) x 4</p>
<p>O </p> <p>Drawer runner (F1004) x 2</p>		<p>P </p> <p>Handle (F449) x 5</p>	
<p>Q </p> <p>Rail Holder (F891) x 2</p>	<p>R </p> <p>Hinge plate (F523) x 9</p>	<p>S </p> <p>Hinge (F522) x 9</p>	
<p>T </p> <p>Large wooden dowel (F40) x 1</p>	<p>U    Washer x 2</p> <p>Overbalance protector kit (F269) x 1</p>		
<p>V </p> <p>Nail screw (F277) x 6</p>	<p>W </p> <p>Back holder (F276) x 6</p> <p>*These can also be round</p>	<p>X </p> <p>Double metal dowel (F566) x 1</p>	

Tools required

Scissors / Rule / Hammer / Cross-head screwdriver / Stubby Screwdriver / Square / Spirit level
 Eye protection (when using a hammer or drill) / Electric drill (only use when drilling into walls) / Step ladder

Ruler - Use this ruler to help correctly identify the screws



Assembly Instructions

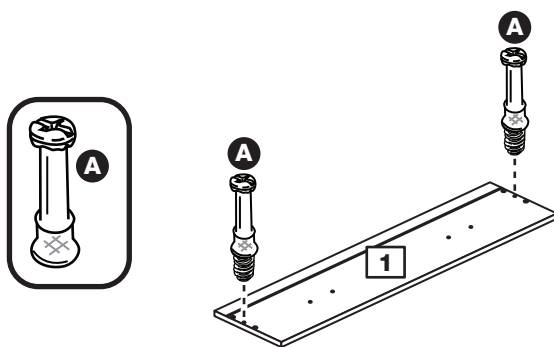
If you have damaged or missing components, call the
Customer Helpline: 03456 400800 quoting the reference
numbers below

Step 1

Prepare the drawer front

Screw 2 metal dowels **A** into the drawer front **1**.

Note: Tighten the metal dowels up fully against the panels.

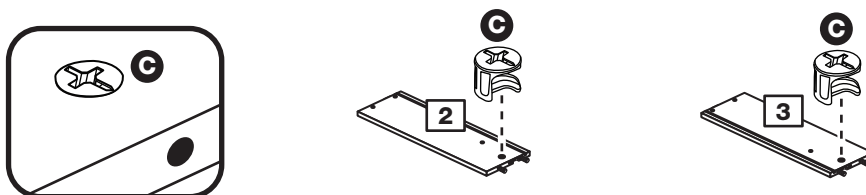


Step 2

Prepare the drawer sides

Insert a small locking nut **C** into the hole shown on the left drawer side **2** and the right drawer side **3**.

Note: The arrow on the locking nut **must** point towards the hole in the edge of the panel.



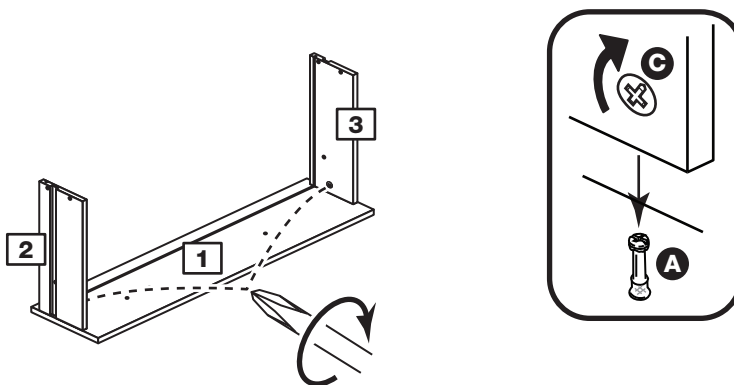
Step 3

Attach the drawer sides to the drawer front

Push the left drawer side **2** and right drawer side **3** onto the back of the drawer front **1**.

Turn the small locking nuts **C** on the left drawer side **2** and right drawer side **3**.

Note: Turn the locking nuts **C** clockwise to secure panels - more than 1/2 a turn.

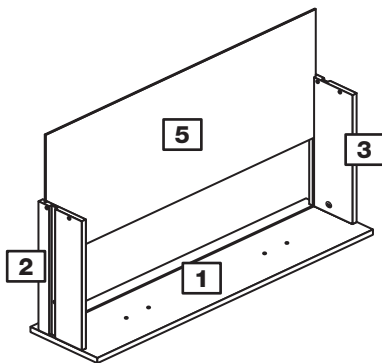


Assembly Instructions

Step 4

Fit the drawer base

Slide the drawer base **5** down the grooves in the drawer sides **2** and **3** and down into the groove in the drawer front **1**.

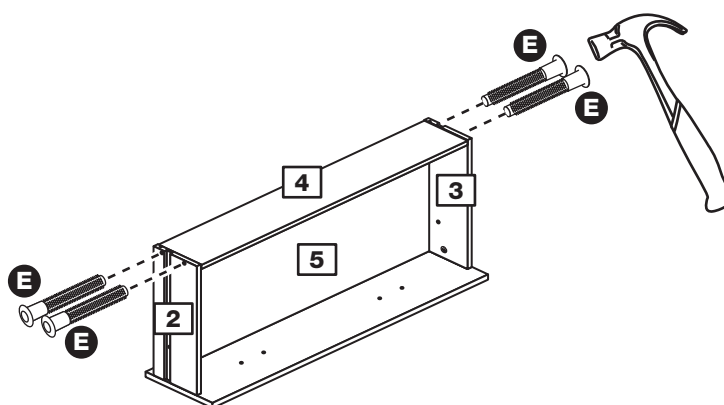


Step 5

Fit the drawer back

Fit the drawer back **4** between the drawer sides **2** and **3**. Make sure that the drawer base **5** fits into the groove in the drawer back **4**.

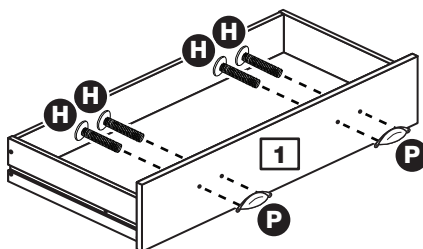
Hold the drawer back **4** in position and tap the knock-in pegs **E** through the holes in the drawer sides **2** and **3**.



Step 6

Attach the handles

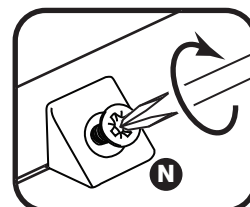
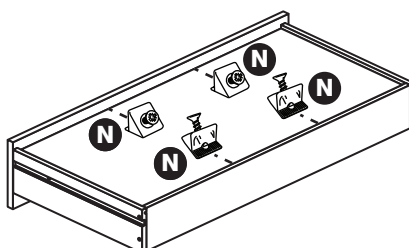
Attach 2 handles **P** to the drawer front **1** using screws **H**.



Step 7

Fit the wedgifixes

Turn the drawer assembly over and slide 4 wedgifixes **N** into the front and back grooves, as shown, and tighten up the screws.



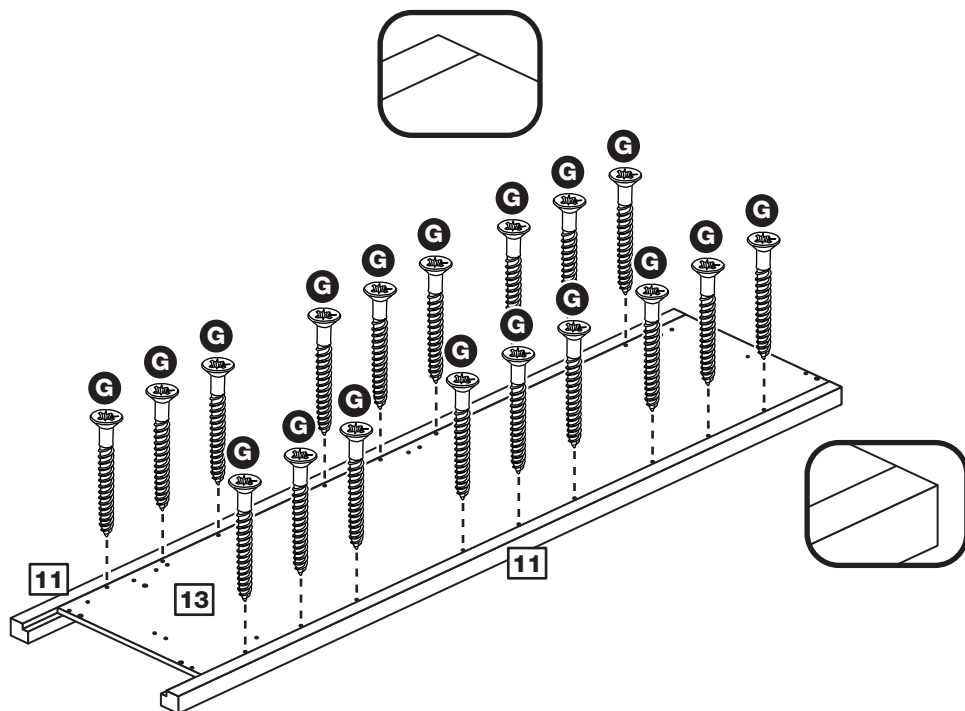
Assembly Instructions

Step 8

Fit 2 legs to the left side

Screw 2 legs **11** to the left side **13** using 18 screws **G**.

Note: The top of the legs must be flush with the top of the left side.

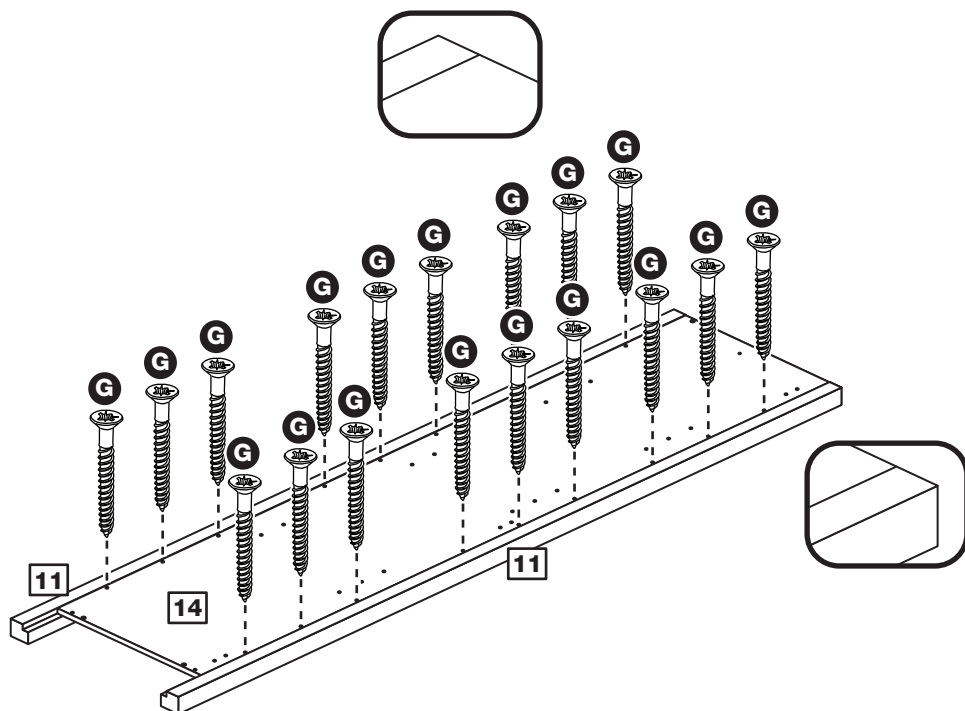


Step 9

Fit 2 legs to the right side

Screw 2 legs **11** to the right side **14** using 18 screws **G**.

Note: The top of the legs must be flush with the top of the right side.



Assembly Instructions

Step 10

Prepare the left side

a: Place a runner **O** on the left side **13** as shown. Slide back the top of runner and use the 2nd hole from the front to fit the 1st screw **I**.

b: Slide the runner **O** back the other way and fit the 2nd screw **I** into the corresponding hole in the left side **13**.

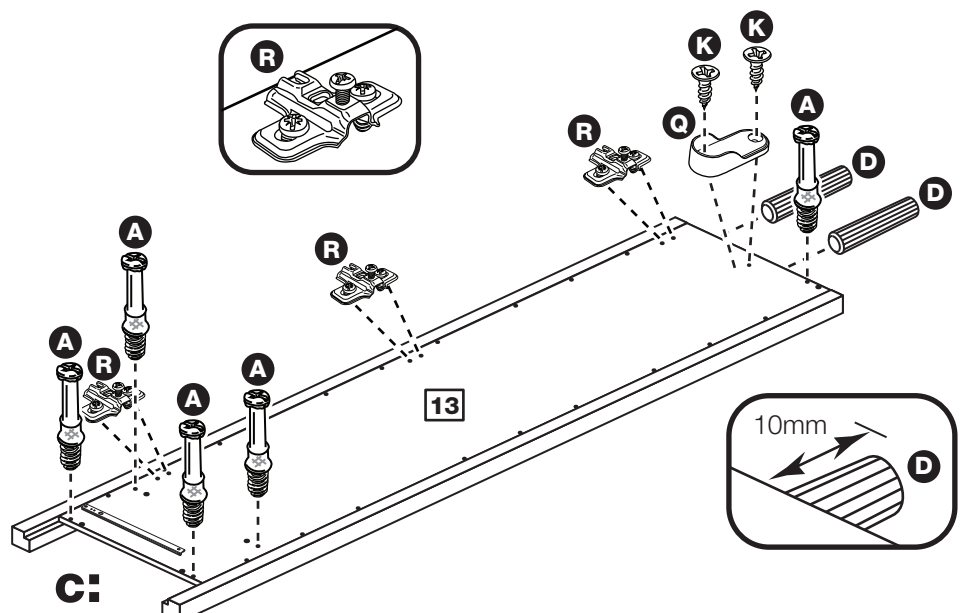
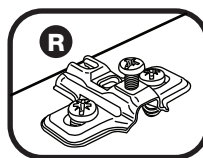
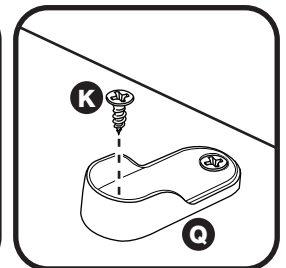
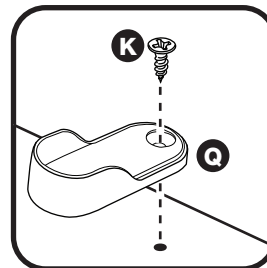
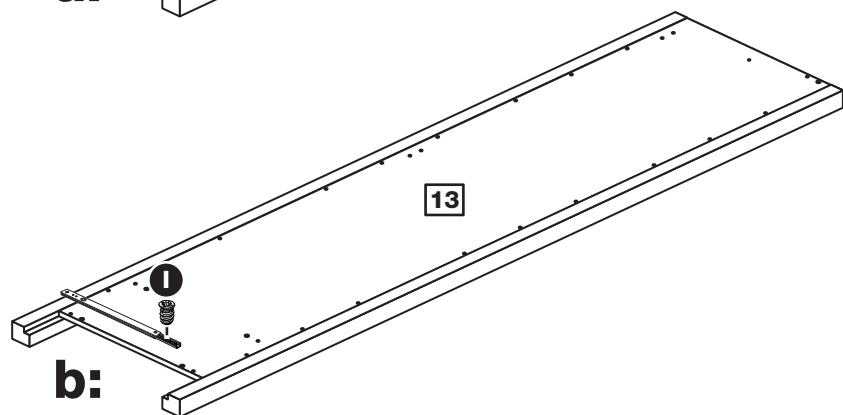
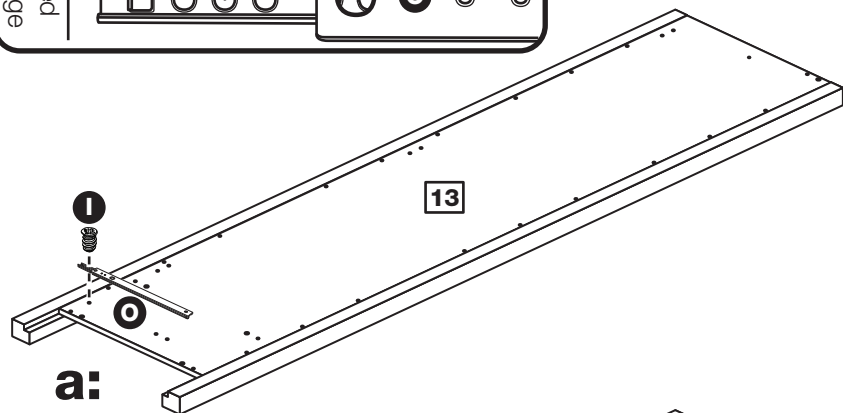
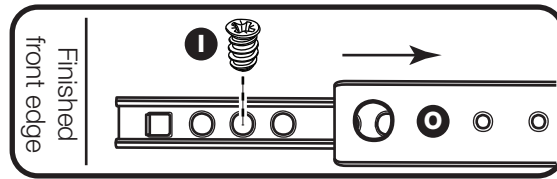
c: Screw 5 metal dowels **A** into the left side **13**.

Tap 2 wooden dowels **D** into the left side **13**.

Note: Wooden dowels **must not** stick out from the edge by more than 10mm or they may damage other panels.

To fit the rail holder **Q**, screw through the top hole with screw **K** and into the mark hole drilled in the left side **13**. Make sure that it is fitted straight, in line with the panel edges and then fit another screw **K** using the lower hole.

Fit 3 hinge plates **R** onto the left side **13**, making sure that the slot is facing towards the finished front edge.



Assembly Instructions

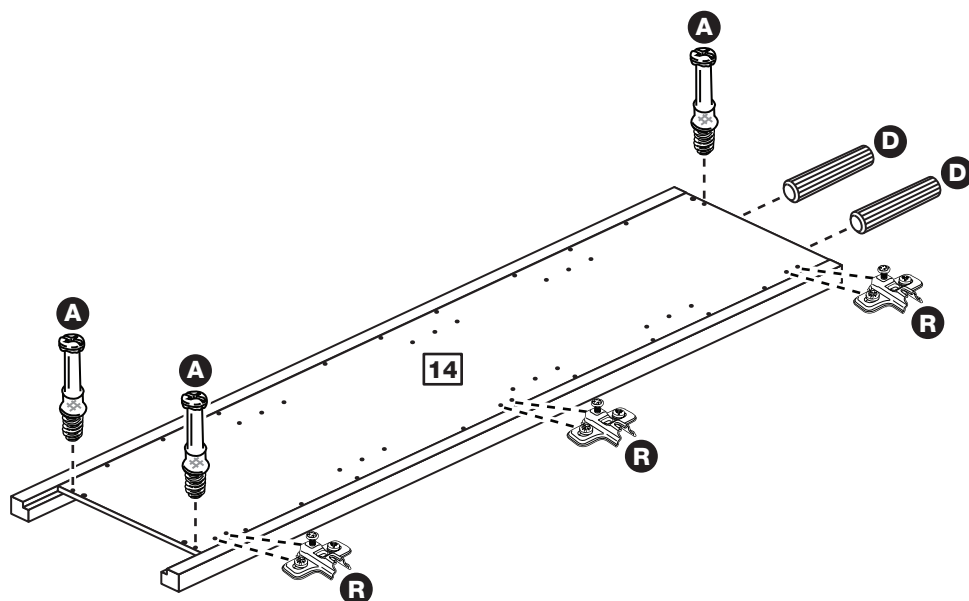
Step 11

Prepare the right side

Screw 3 metal dowels **A** into the right side **14**.

Tap 2 wooden dowels **D** into the right side **14**.

Fit 3 hinge plates **R** onto the right side **14**, making sure that the slot is facing towards the finished front edge.



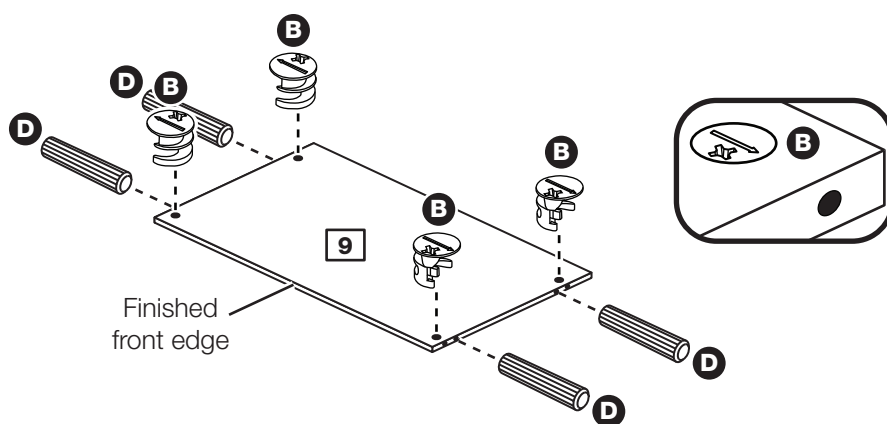
Step 12

Prepare the large shelf

Insert 4 large locking nuts **B** into the large shelf **9**.

Tap 4 wooden dowels **D** into large shelf **9**.

Note: The arrow on the locking nut **must** point towards the hole in the edge of the panel.



Assembly Instructions

Step 13

Prepare the divider

a: Place a runner **O** on the divider **15** as shown. Slide back the top of runner and use the 2nd hole from the front to fit the 1st screw **I**.

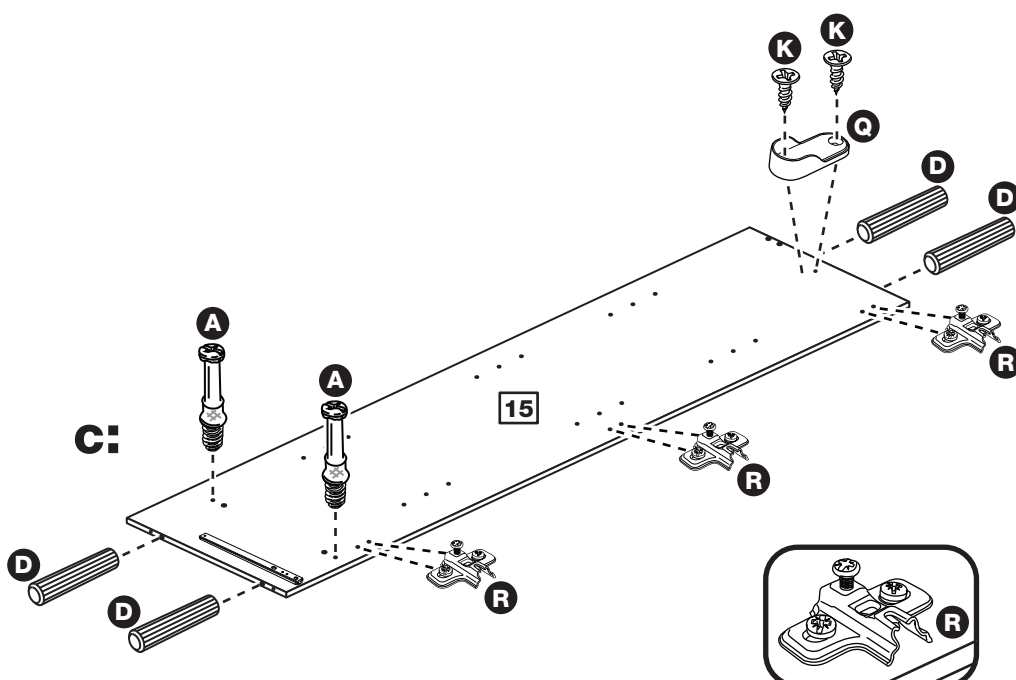
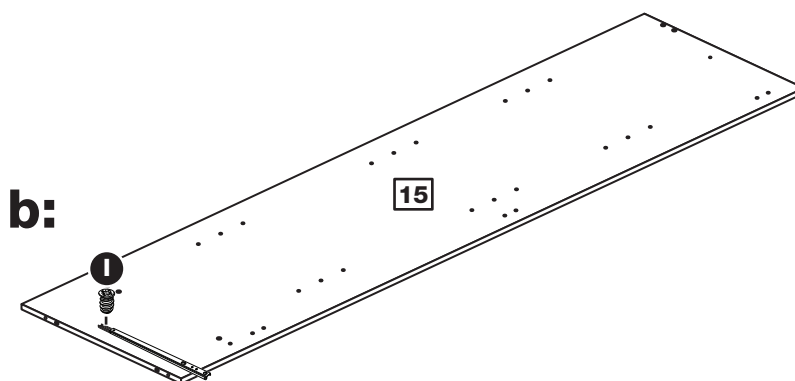
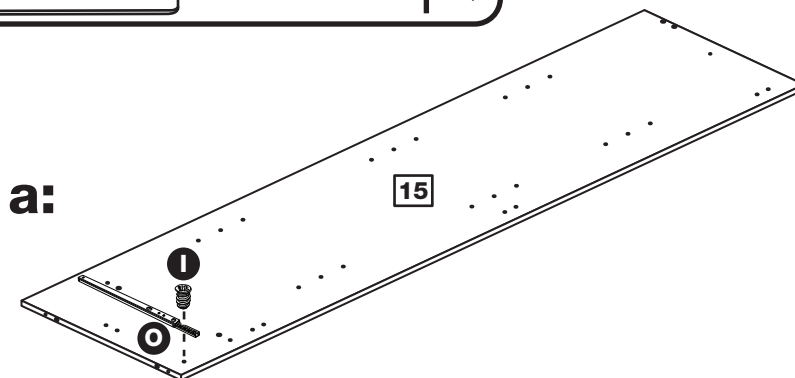
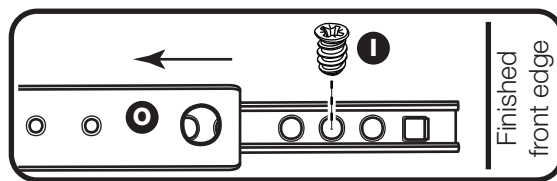
b: Slide the runner **O** back the other way and fit the 2nd screw **I** into the corresponding hole in the divider **15**.

c: Screw 2 metal dowels **A** into the divider **15**.

Tap 4 wooden dowels **D** into the divider **15**.

To fit the rail holder **Q**, screw through the top hole with screw **K** and into the mark hole drilled in the divider **15**. Make sure that it is fitted straight, in line with the panel edges and then fit another screw **K** using the lower hole.

Fit 3 hinge plates **R** onto the divider **15**, making sure that the slot is facing towards the finished front edge.



Assembly Instructions

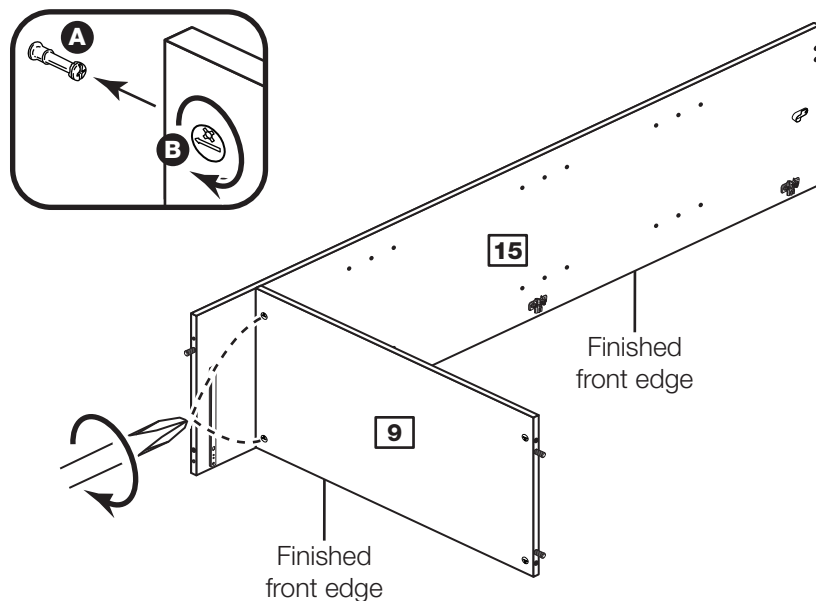
Step 14

Fit the large shelf

Push the large shelf **9** onto the divider **15**.

Use a screwdriver to tighten the 2 large locking nuts **B** fitted to the large shelf **9**.

Note: Turn the large locking nuts **B** as far as they will go - more than 1/2 a turn.



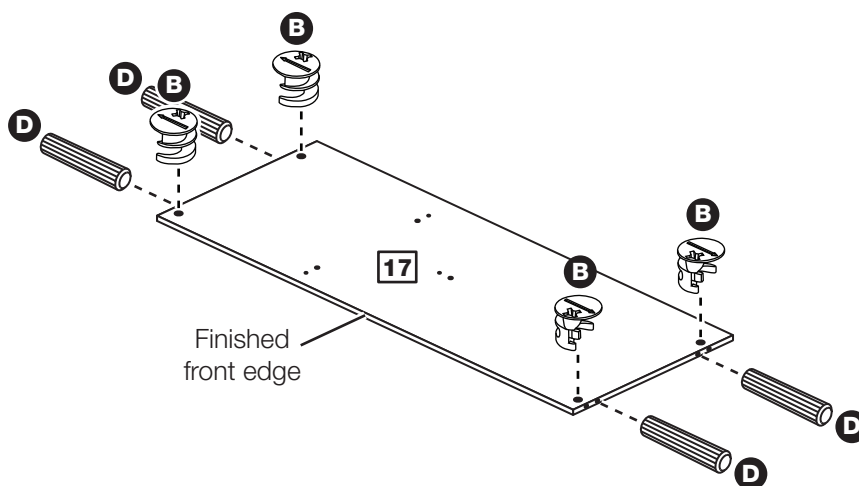
Step 15

Prepare the base

Insert 4 large locking nuts **B** into the base **17**.

Note: The arrow on the locking nut **must** point towards the hole in the edge of the panel.

Tap 4 wooden dowels **D** into the base **17**.

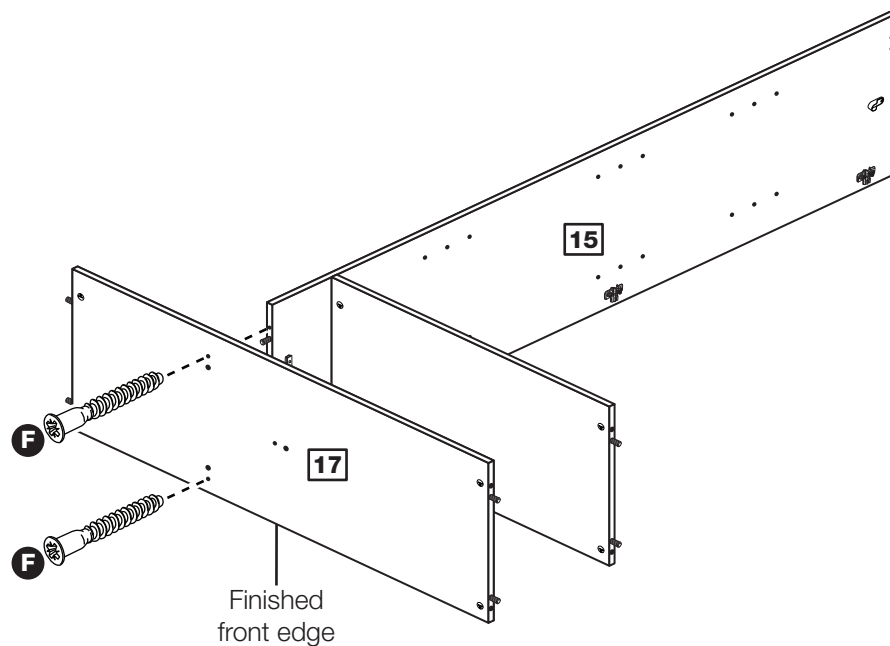


Assembly Instructions

Step 16

Fit the base to the divider

Attach the base **17** to the divider **15** using 2 screws **F**.

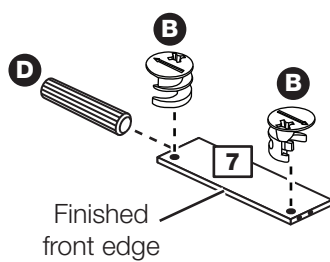


Step 17

Prepare the small rail

Insert 2 large locking nuts **B** into the small rail **7**.

Tap a wooden dowel **D** into small rail **7**.



Assembly Instructions

Step 18

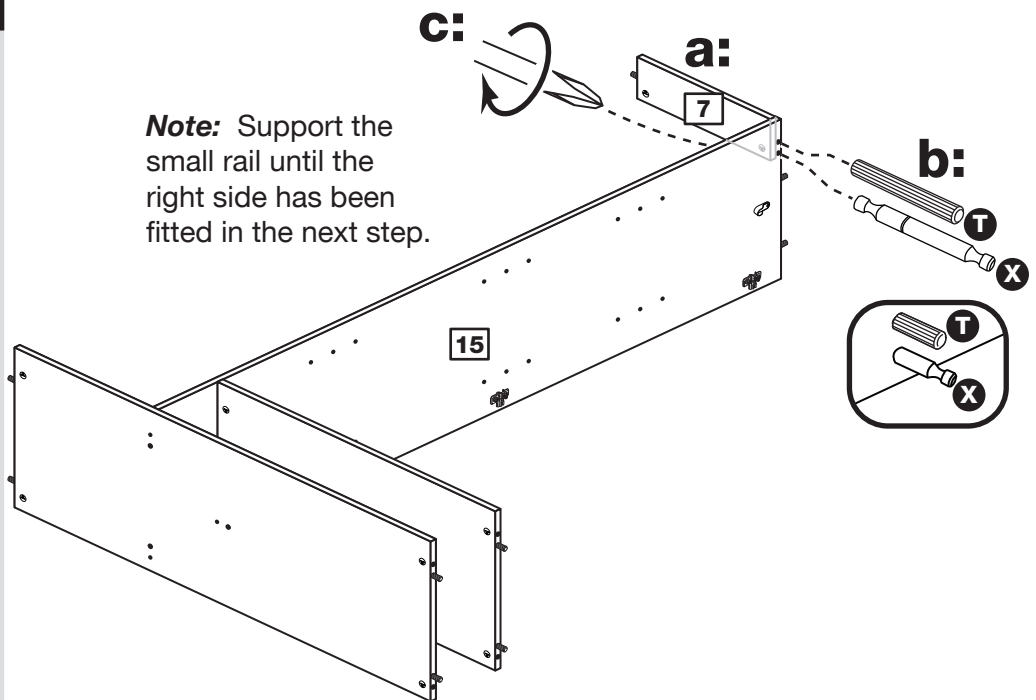
Fit the small rail

a: Position the small rail **7** up against the 2 holes in the divider **15**.

b: Tap a double metal dowel **X** through the divider **15** and into the small rail **7** until it "bottoms out".

Tap a large wooden dowel **T** through the divider **15** and into the small rail **7** until it "bottoms out".

c: Use a screwdriver to tighten the large locking nut **B** fitted to the small rail **7**.



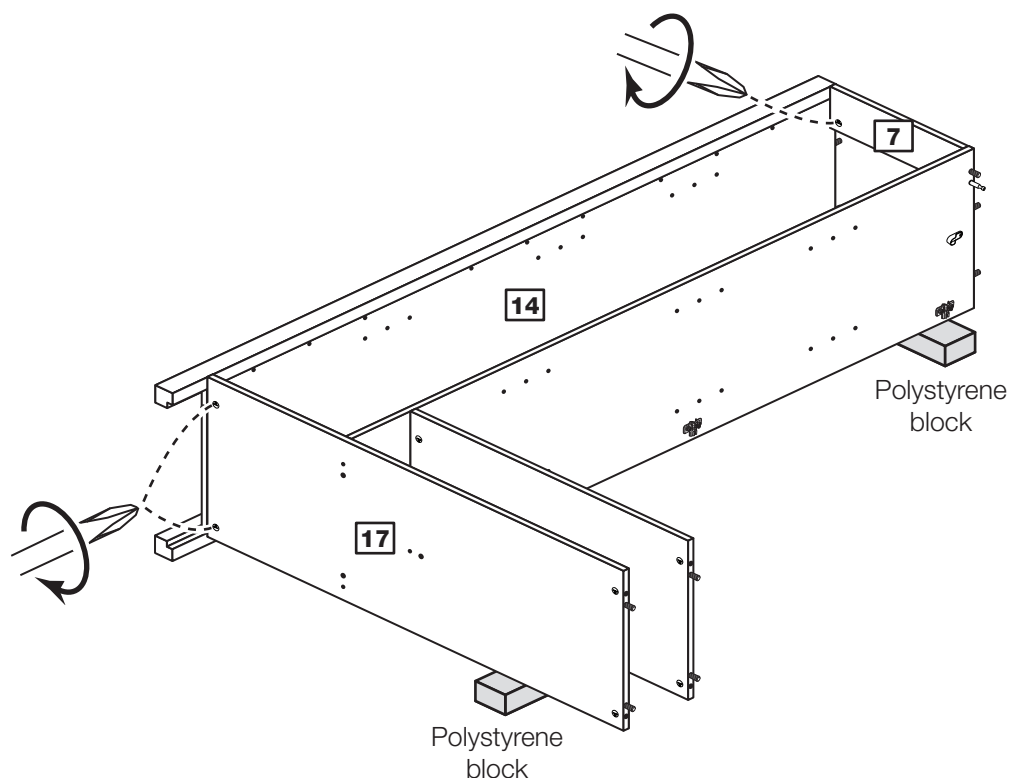
Step 19

Fit the right side

Note: To make the assembly easier, place polystyrene blocks from the packaging underneath the base, divider and large shelf to raise the assembly.

Push the right side **14** onto the assembly.

Use a screwdriver to tighten the 3 large locking nuts **B** fitted to the base **17** and the small rail **7**.



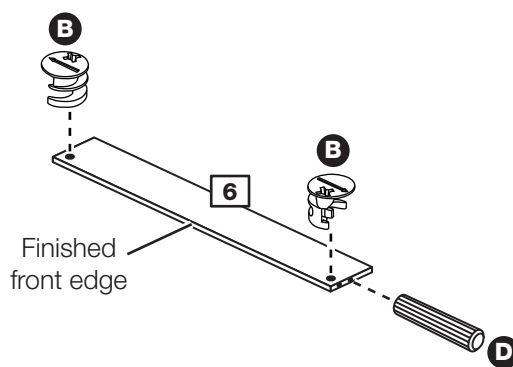
Assembly Instructions

Step 20

Prepare the large rail

Insert 2 large locking nuts **B** into the large rail **6**.

Tap a wooden dowel **D** into large rail **6**.

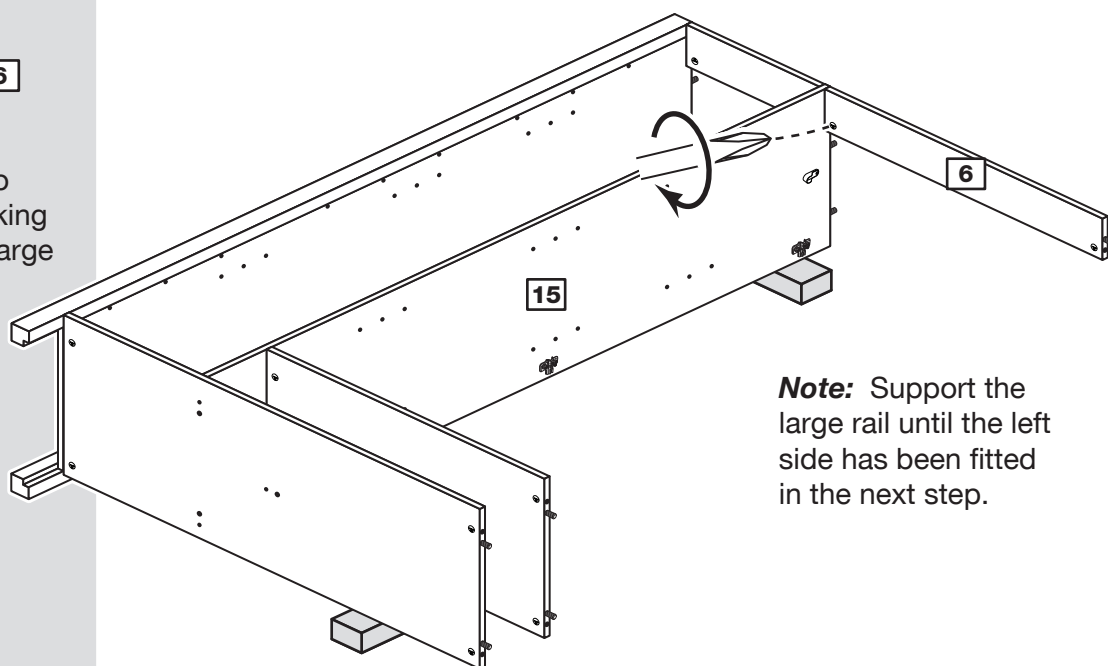


Step 21

Fit the large rail

Push the large rail **6** onto the divider **15**.

Use a screwdriver to tighten the large locking nut **B** fitted to the large rail **6**.



Note: Support the large rail until the left side has been fitted in the next step.

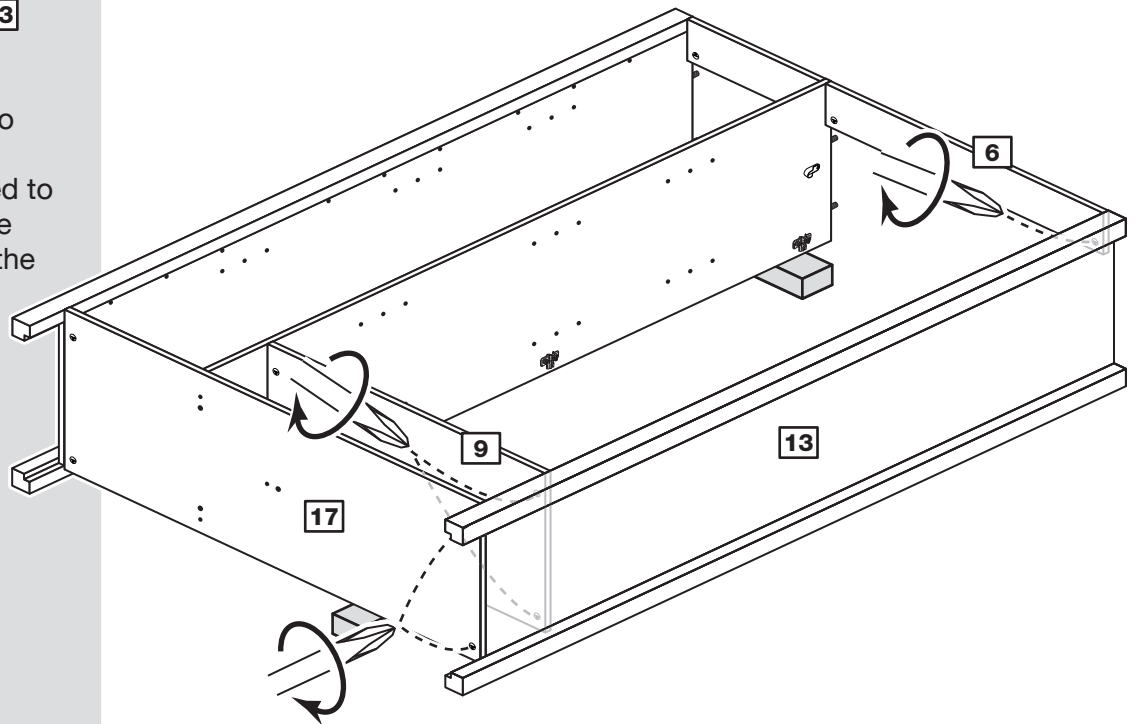
Assembly Instructions

Step 22

Fit the left side

Push the left side **13** onto the assembly.

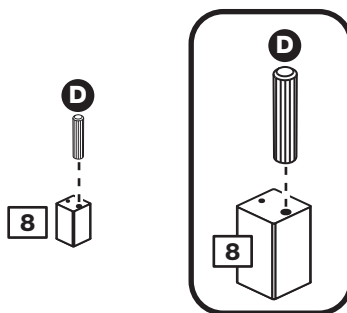
Use a screwdriver to tighten the 5 large locking nuts **B** fitted to the large rail **6**, the large shelf **9** and the base **17**.



Step 23

Prepare the foot

Tap a wooden dowel **D** into the foot **8**.

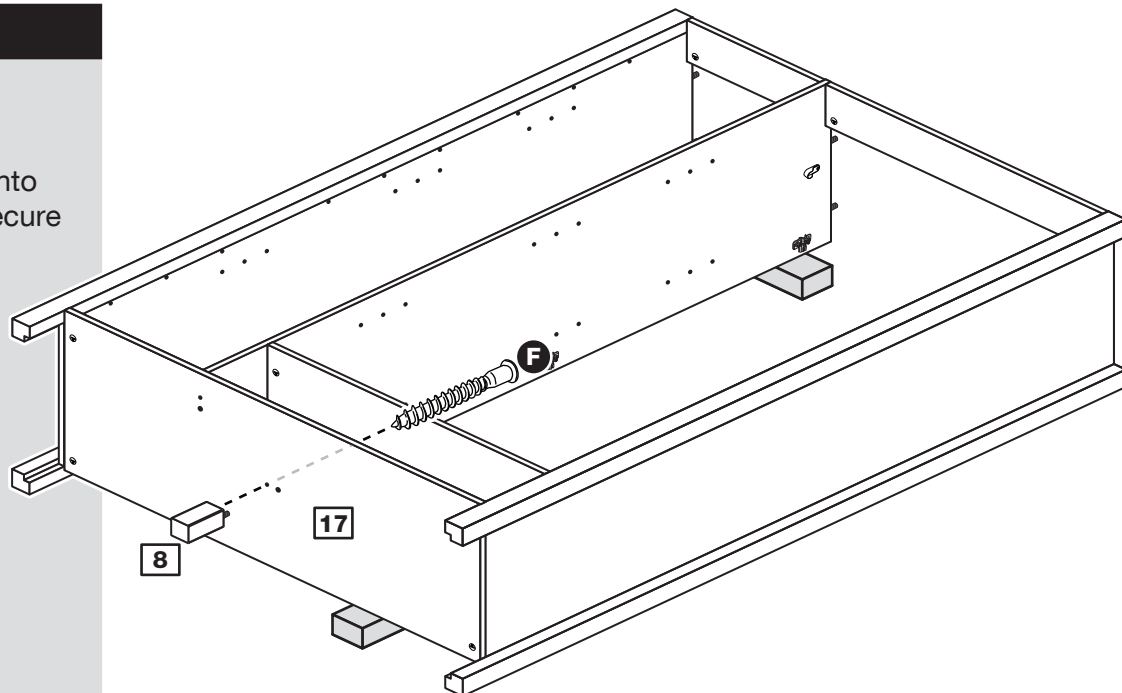


Assembly Instructions

Step 24

Fit the foot

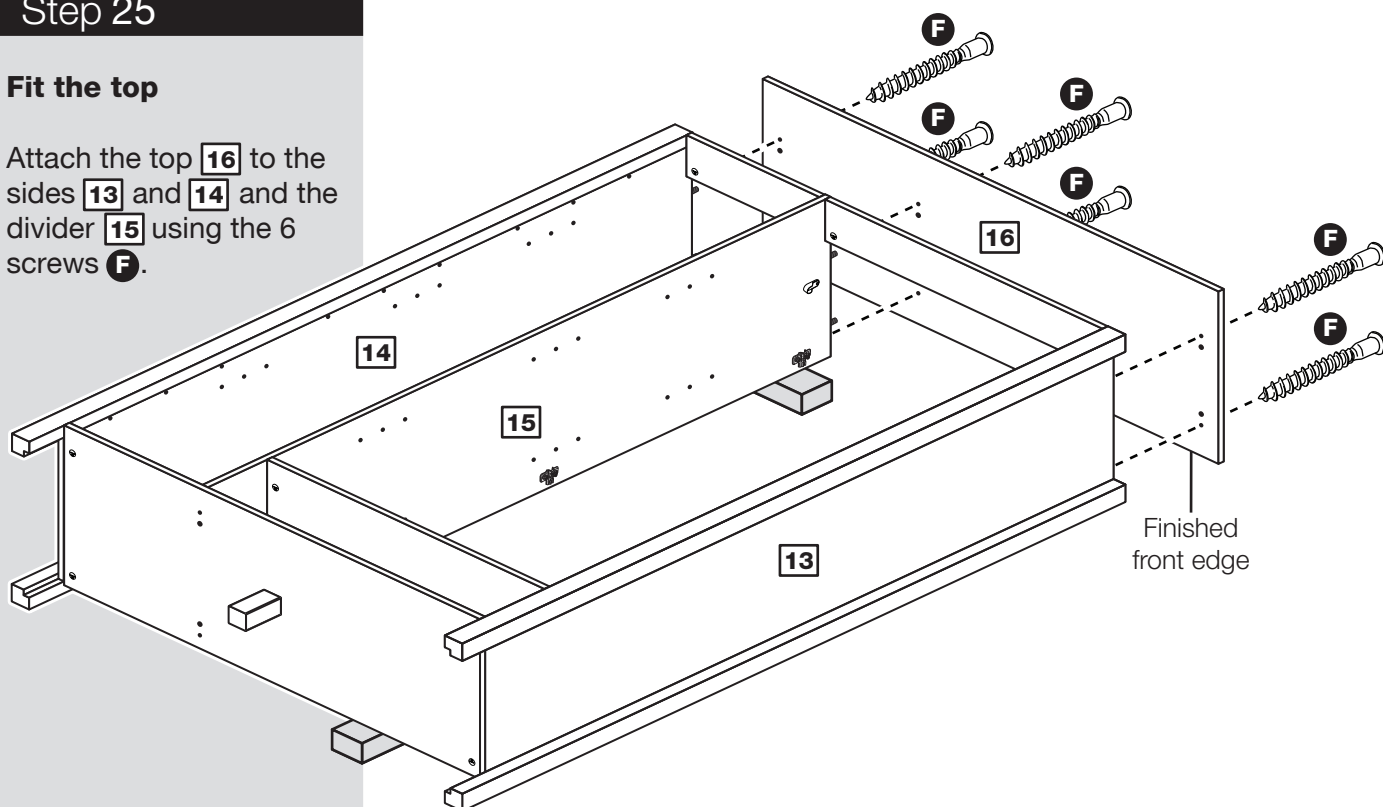
Push the foot **8** onto the base **17** and secure it using screw **F**.



Step 25

Fit the top

Attach the top **16** to the sides **13** and **14** and the divider **15** using the 6 screws **F**.



Assembly Instructions

Step 26

Fit the 2 back panels

a: Square up the unit by making sure that measurement **x:x equals y:y**.

Place the small back **21** and large back **22**, coloured surface facing down, onto the unit as shown.

Make sure that the 2 backs are pushed up tight against each other and that they meet in the centre of the divider's back edge.

b: Nail **L** around the outside edges of the 2 backs.

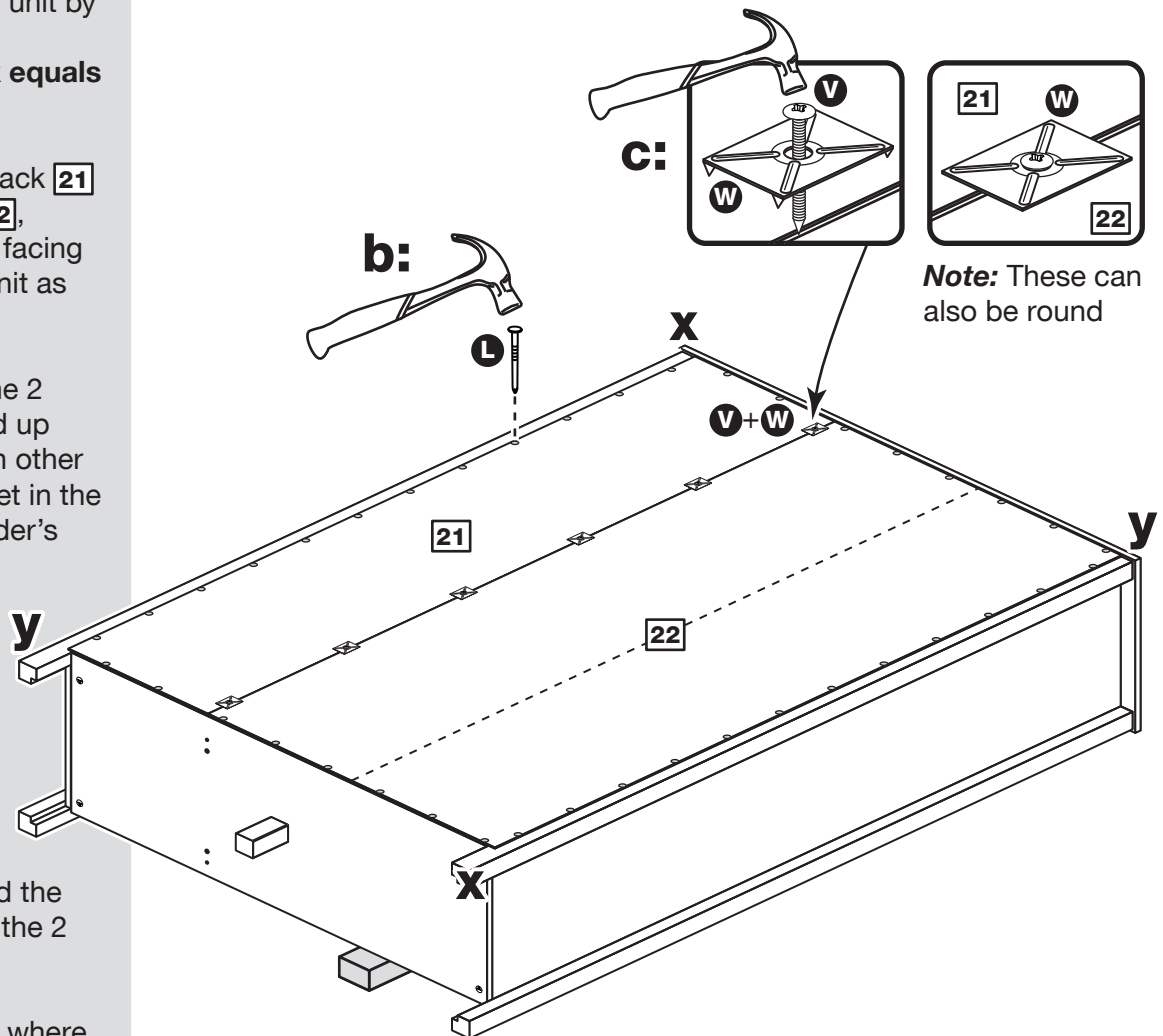
Note: Do not nail where the 2 backs meet.

c: Push the nail screws **V** through the back holders **W** and tap them down between the small back **21** and large back **22** and into the back edge of the divider **15**.

Keep tapping the nail screws **V** in until the back holders **W** dig into the small and large back.

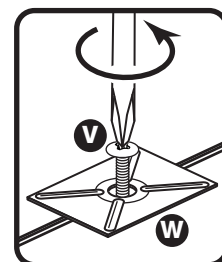
Carefully stand the unit up for the next step.

a: The measurement from top corner X to bottom corner X must be equal to the measurement from top corner Y to bottom corner Y



Warning: The unit is heavy. Lift with care.

Note: If ever you need to take the backs off to dismantle the unit, the nail screws can be taken out using a screwdriver.

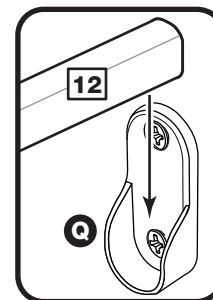
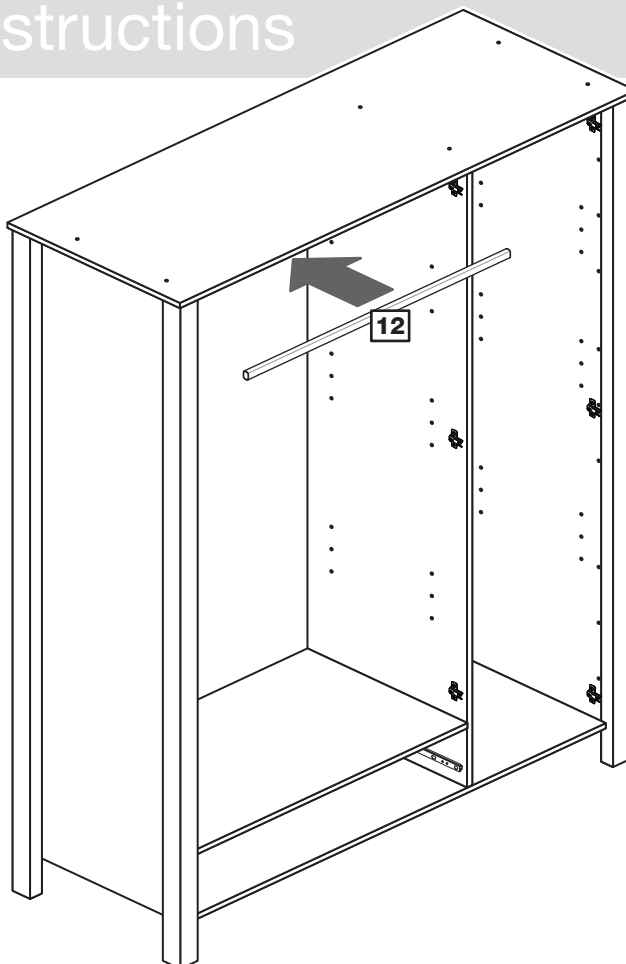


Assembly Instructions

Step 27

Fit the hanging rail

Push the hanging rail **12** into the rail holders **Q**.



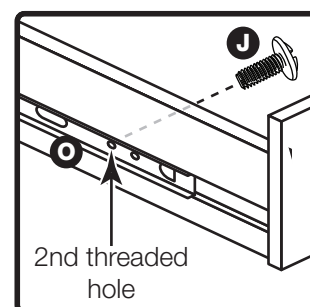
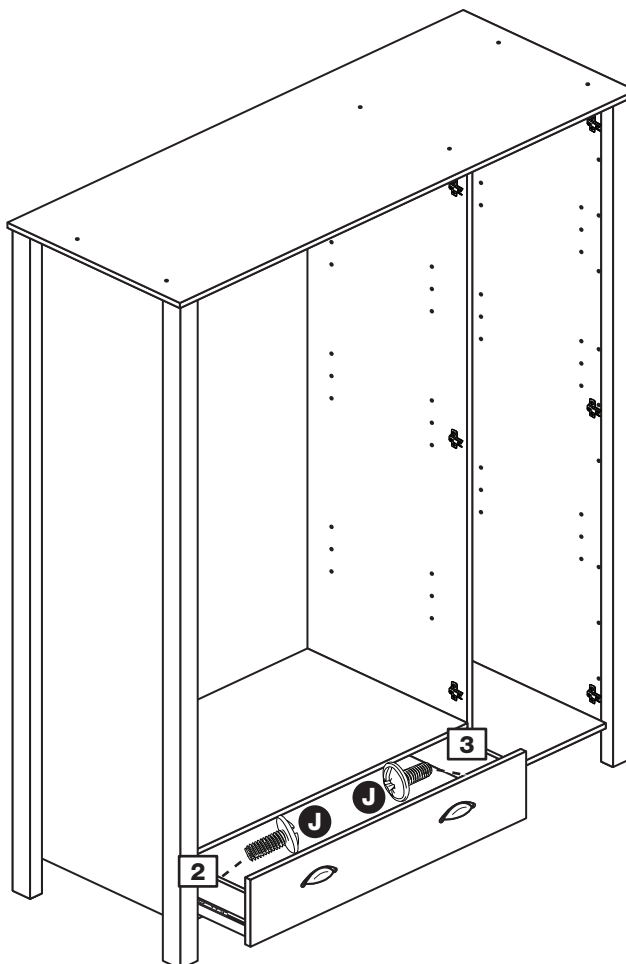
Step 28

Fit the drawer

Slide both the runners **O** forward and locate the drawer sides **2** and **3** between them, lining up the holes in the drawer wrap with the 2nd 'threaded' holes in the runners **O**.

Working from the inside of the drawer, insert 2 screws **J** through the drawer sides and out into the 2nd threaded hole in the runner.

Note: Do not overtighten the screws **J**. If they catch on the runner you may need to loosen them slightly.

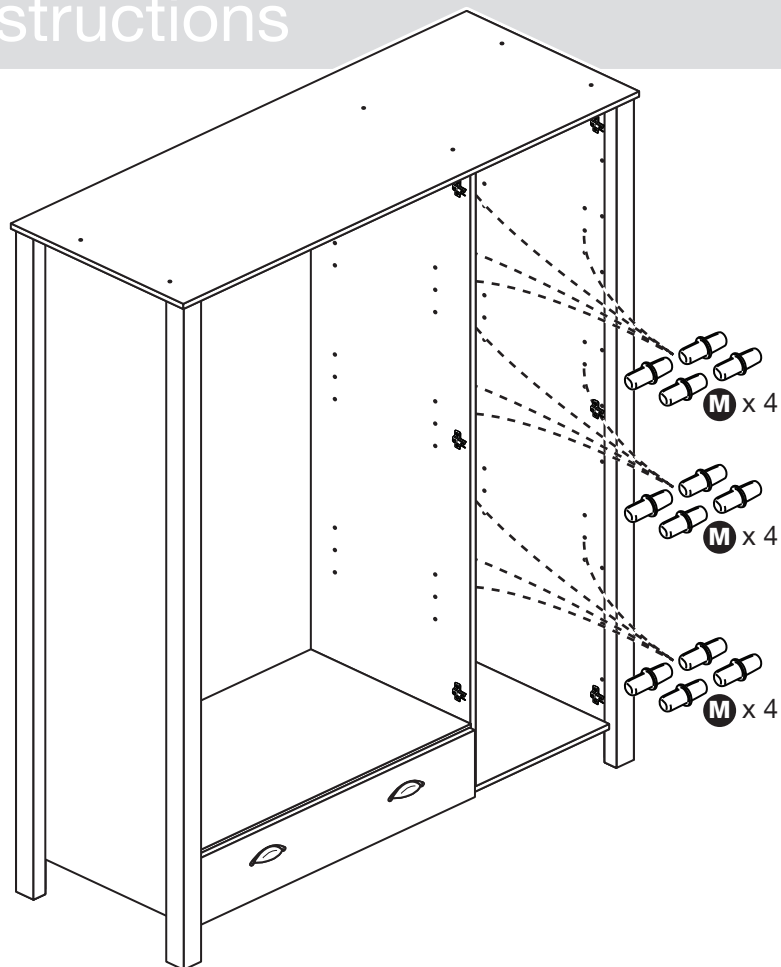


Assembly Instructions

Step 29

Fit the shelf studs

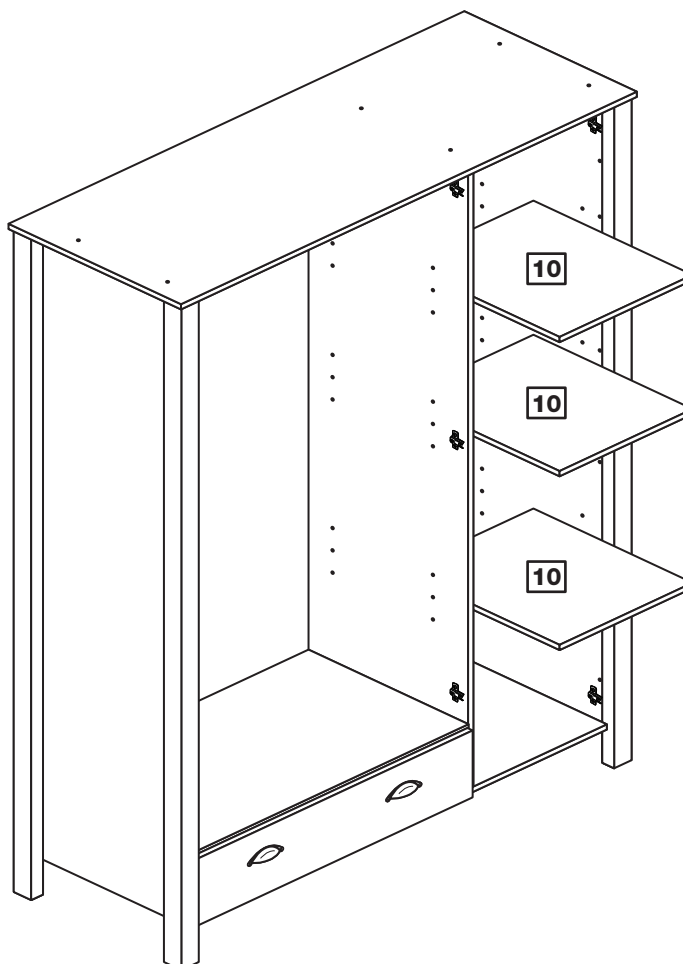
For each of the 3 small shelves **10**, insert 4 shelf studs **M** at the required height.



Step 30

Fit the 3 small shelves

Lower the 3 small shelves **10** down onto the shelf studs **M**.



Assembly Instructions

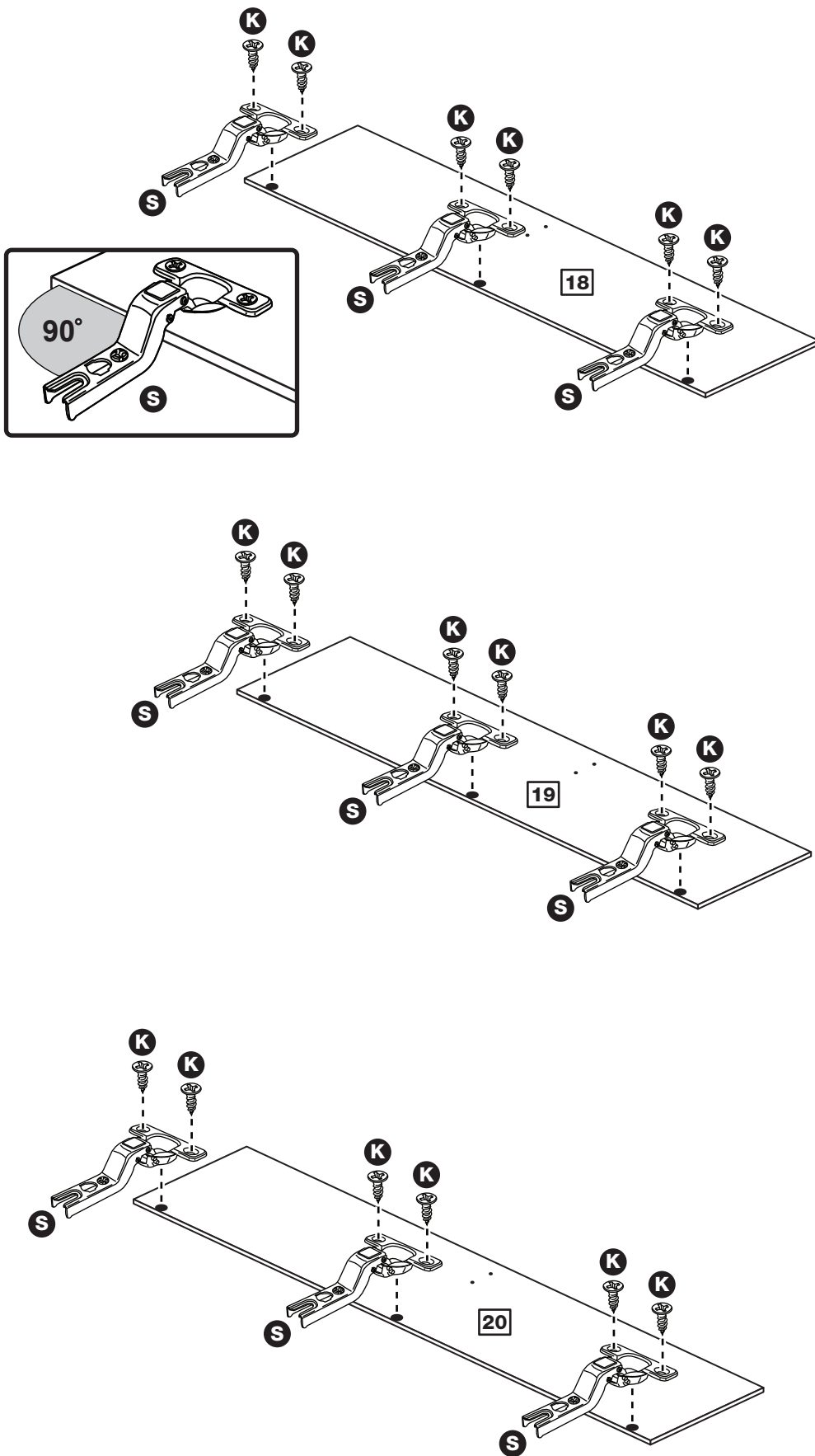
Step 31

Prepare the 3 doors

Push fit 3 hinges **S** into the left door **18**, the middle door **19** and the right door **20**.

Secure each hinge with 2 screws **K**.

Note: Before securing with the screws, make sure that the hinges are positioned at 90 degrees with the edge of the door.



Assembly Instructions

Step 32

Fit doors and handles

Note: The easiest way to attach each door **18**, **19** and **20** is to fit the top hinge first, then align and fit the other hinges.

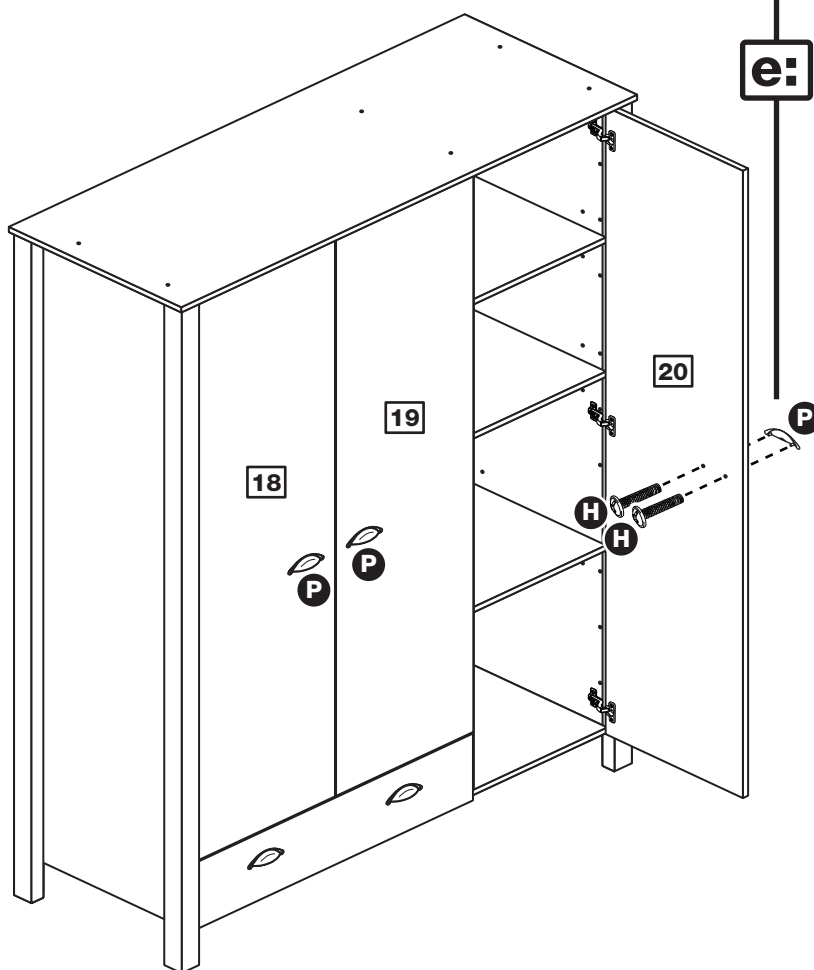
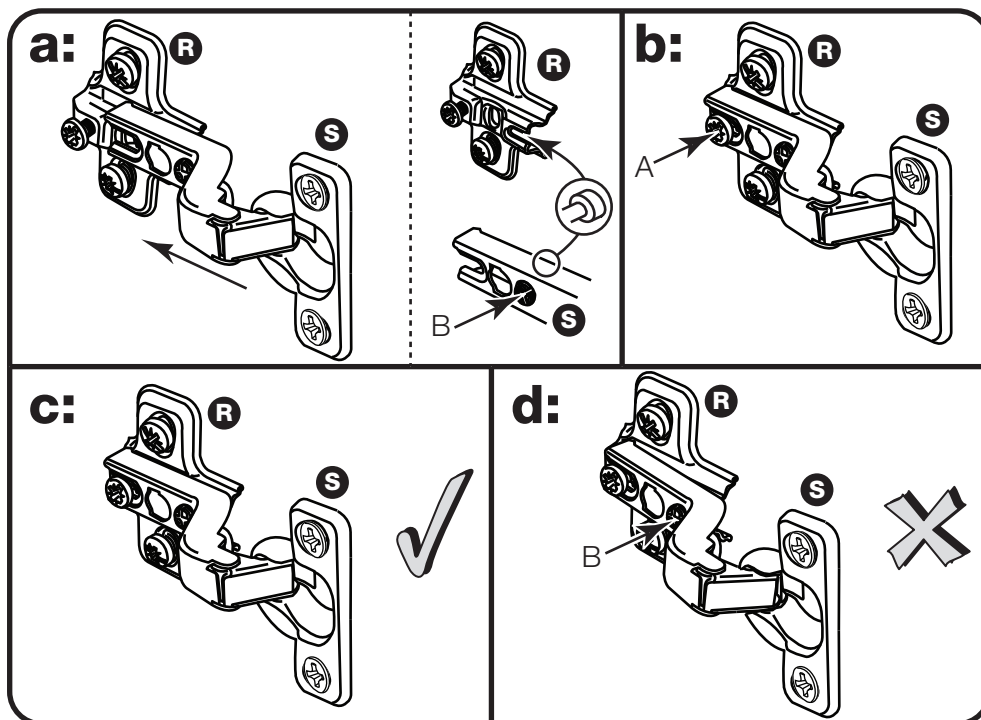
a: Push the hinge **S** onto the front part of the hinge plate **R**. The recess at the bottom of screw B goes into the slot in the hinge plate.

b: Keep the hinge **S** FLAT against the hinge plate **R** as you slide it across as far as it will go. Tighten screw A.

c: The hinge **S** must be flat against the hinge plate **R** prior to any adjustment.

d: The hinge **S** must NOT be AT AN ANGLE to the hinge plate **R** when assembled. This would indicate that the recess at the bottom of screw B had not located in the slot in the hinge plate and the hinge would not be secure. Remove the hinge from the hinge plate and then re-assemble being careful to follow instructions a-c.

e: Attach a handle **P** to each of the doors **18**, **19** and **20** using screws **H**.



Assembly Instructions

Step 33

Adjust the doors if needed

a: Before adjusting the doors, use a spirit level to check the base (or top) of the unit is level, front-to-back and side-to-side in the 3 positions shown. Use suitable packing pieces (not supplied) to make the unit level BEFORE making any adjustment to the hinges, as shown.

b: Height adjustment.

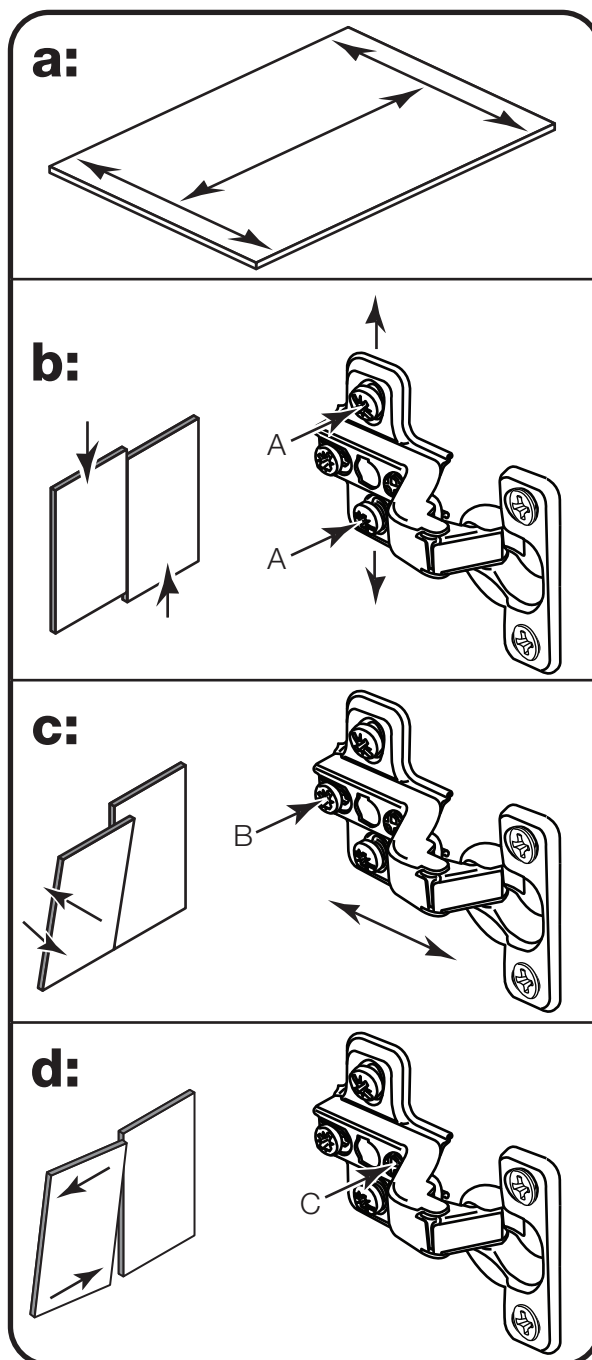
Loosen screws A on hinge plates and move door up or down as required. Retighten screw A.

c: Forward and Back adjustment.

Loosen screw B on hinge plate and move door in or out as required. Retighten screw B.

d: Sideways adjustment.

To move door 'out' loosen screw C. To move door 'in' tighten screw C.



Assembly Instructions

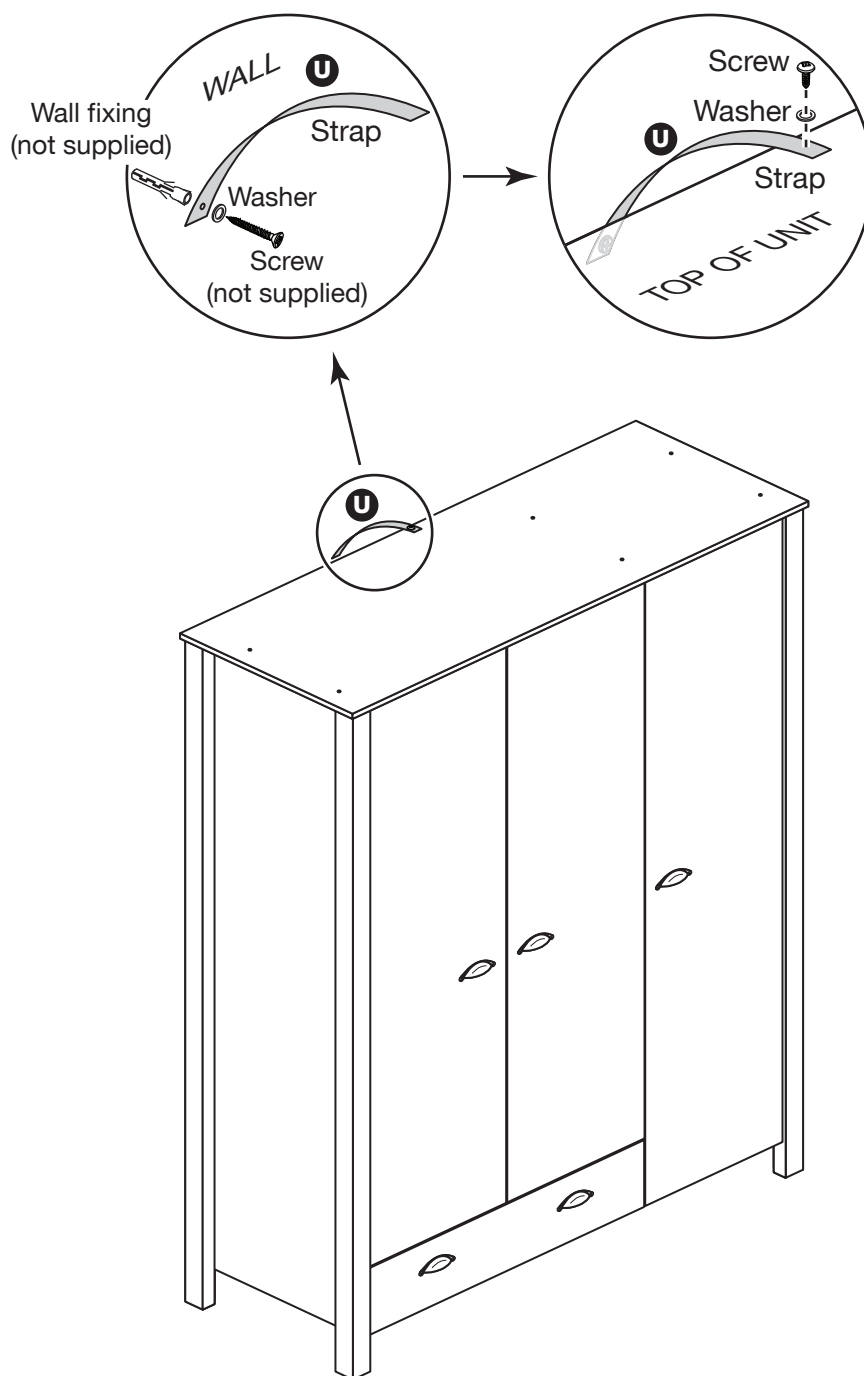
Step 34

Fit the overbalance protector

To prevent possible overbalancing we recommend that this unit is secured to a suitable wall by fitting of the overbalance protector kit **U** to the unit, or an alternative fixing method of your choice.

Wall fixings are not supplied as they will need to suit the wall type.

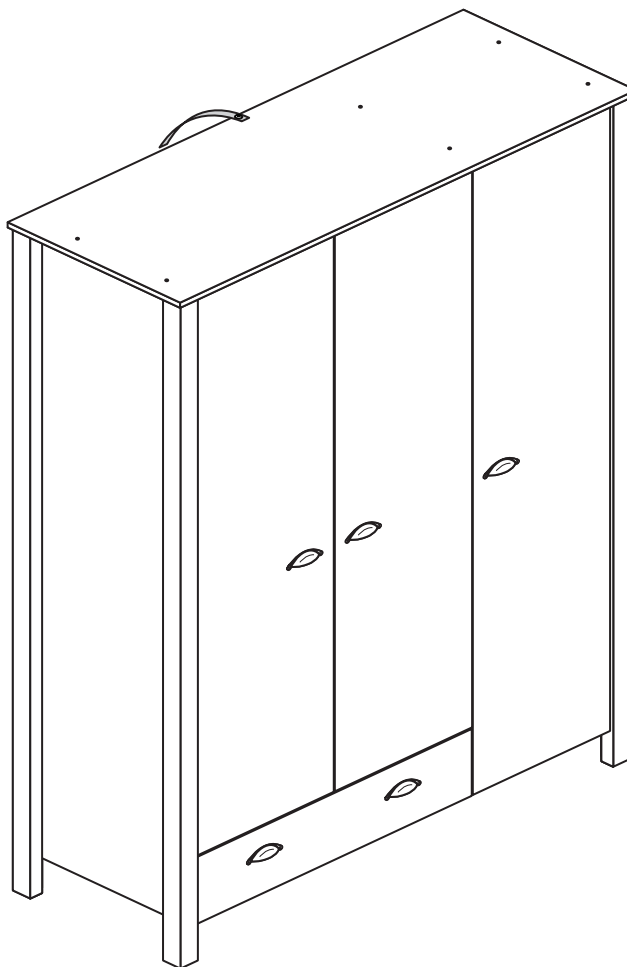
Note: Take care when drilling the wall that you do not drill into any pipes, wires etc. If in doubt, consult an expert.



Assembly Instructions

Step 35

Assembly is complete



If you need help or have damaged or missing parts, please visit www.argos-support.co.uk or email: Help@ClickSpares.co.uk (quoting your original order number)
Alternatively, call the Spares Helpline on: 0370 112 1928.
For any other queries please contact the Customer Helpline on: 0345 640 2020