

# challenge®

MODEL NO. TX-1201D  
12 INCH DESK FAN  
INSTRUCTION MANUAL



**Important-Please read these instructions carefully before first using this product and retain for future reference.**

**Thank you for choosing a CHALLENGE desk fan. It is a remarkably versatile product which offers a choice of air-circulation for summer comfort. This desk fan has been designed and manufactured to high standards of engineering and with proper use and care, as described in this leaflet, this appliance will give you years of useful service. Please read these instructions carefully.**

#### GENERAL CARE AND SAFETY GUIDE

- Use only the voltage specified on the rating plate of the fan.
- Do not cover or restrict airflow to the inlet or exhaust grilles in any manner as the appliance may overheat and become a fire risk.
- NEVER cover the fan : this may cause fire.
- Do not block air inlets or outlets in any manner. Check the openings from time to time for accumulated dust.
- Ensure long shag carpet does not obstruct airflow under the unit.
- Do not place appliance close to a radiant heat source.
- Do not operate in areas where gasoline, paint or other flammable liquids are used or stored.
- Do not insert or allow foreign objects to enter any ventilation or exhaust opening, as this may cause an electric shock, fire or damage to the appliance.
- Do not operate any appliance with a damaged cord, plug or after the appliance malfunctions or has been dropped or damaged in any manner. Return to a qualified electrical person for examination, electrical or mechanical adjustment, service or repair.
- This appliance is intended for household use only and not for commercial or industrial use.
- Use this appliance only as described in this manual. Any other use is not recommended by the manufacturer and may cause fire, electric shock or injury.
- Do not use abrasive cleaning products on this appliance. Clean with a damp cloth (not wet) rinsed in hot soapy water only. Always remove plug from the mains supply before cleaning.
- Do not connect the appliance to the mains voltage until completely assembled and adjusted.

1

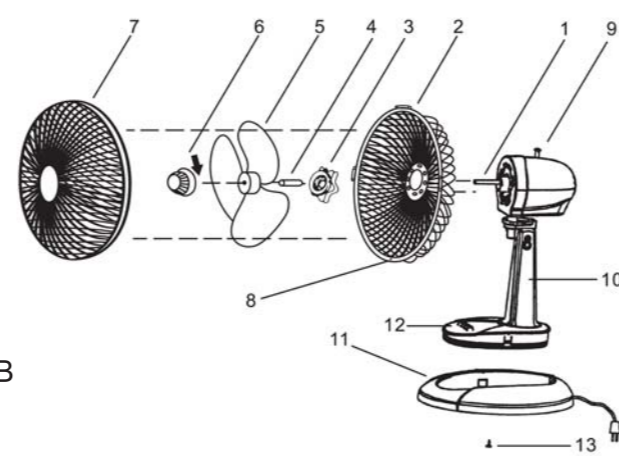
- Switch off and use handles where provided when moving.
- Always operate on a flat horizontal surface.
- Do not remove plug from power socket until the appliance has been switched off.
- Do not remove plug from power socket by pulling flex - always grip plug.
- Always unplug appliance when not in use.
- Do not allow cord to come in contact with heated surfaces during operation.
- Do not twist, kink or wrap the cord around the appliance, as this may cause the insulation to weaken and split.
- Do not run cord under carpeting, through rugs or runners etc. Arrange cord away from high traffic areas so that it will not be tripped over.
- Always ensure that all cord has been removed from any cord storage area.
- Always keep the fan out of the reach of children.
- Children should be supervised to ensure they do not play with the appliance.
- Do not use this appliance in the immediate surrounds of a bath, a shower or a swimming pool or other liquids.
- Do not use this appliance outdoors, or on wet surfaces. Avoid spilling liquid on the appliance.
- Always switch off the fan at the controls and at the power outlet then unplug fan from the power outlet when not in use.
- Important-This fan is intended for floor or desk use only. Do not mount on ceiling or walls.
- If the supply cord is damaged, it must be replaced by the manufacturer, its service agent or a similarly qualified person in order to avoid a hazard.
- Do not operate the fan with wet hands.
- Do not operate the fan near to curtains or any other fabric which could be sucked into the fan unit.

2

- Ensure that the fan is switched off from the mains supply before removing the guard.
- The appliance is not intended for use by persons (including children) with reduced physical, sensory or mental capabilities, or lack of experience and knowledge, unless they have been given supervision or instruction concerning use of the appliance by a person responsible for their safety.
- This appliance can be used by children aged from 8 years and above and persons with reduced physical, sensory or mental capabilities or lack of experience and knowledge if they have been given supervision or instruction concerning use of the appliance in a safe way and understand the hazards involved. Children shall not play with the appliance. Cleaning and user maintenance shall not be made by children without supervision.

#### KNOWING YOUR MACHINE

1. MOTOR SHAFT
2. REAR GRILLE
3. GRILLE NUT
4. PLASTIC SLEEVE
5. BLADE
6. BLADE NUT
7. FRONT GRILLE
8. LOCKING SCREW
9. OSCILLATION KNOB
10. MAIN BODY
11. BASE
12. SPEED CONTROL BUTTONS
13. BASE SCREW



#### ASSEMBLY OF BASE

1. Remove the 4 x crosshead screws from the base of the fan body (10).
2. Fit the base (11) onto the bottom of the main body (10).
3. Using the 4 x screws previously removed, refit these to secure the base.

#### ASSEMBLY OF BLADE OF GRILLES

1. Remove and discard the plastic sleeve (4) as this part is for protection during transportation only.
2. Unscrew the grille nut (3) anti-clockwise.
3. Set the rear grille (2) in the proper position with handle up.
4. Screw on the grille nut (3) tightly by hand to attach the rear grille (2) to the main body (10).
5. Install the blade (5) onto the motor shaft (1) until it reaches and locks onto the retaining pin.
6. Screw the blade nut (6) onto the motor shaft (1) and turn anti-clockwise to tighten.

3

4

7. Open the three locking clips on the edge of the front grille (7) by moving the lip of the clips outwards.
8. Unscrew and remove the small locking screw and nut (8) mounted on the rear grille (2). Mount the front grille (7) onto the rear grille (2), observe the hook on the top of the front grille which hooks over the top of the rear grille.
9. Align the screw holes at the bottom of the grilles and fit the locking screw (8) through the holes and loosely fit the unit.
10. Close the three locking clips to lock the grilles together by moving the lip of the clips inwards.
11. Using a small screwdriver, tighten the locking screw (8).

#### OPERATING INSTRUCTIONS

1. Set the appliance on a dry, level and sturdy surface.
2. Plug the appliance into the mains.

#### Oscillation

1. The fan will oscillate during operation when the oscillation knob on the top of the fan body is in the down position.
2. When the oscillation knob is in the up position, the fan remains stationary.

#### ON/OFF, Speed Selection

1. The fan is controlled by the buttons on the base.
2. To turn the fan on and set desired speed, press button "1", "2", or "3" (i.e. "1" is the lowest, "2" is medium, and "3" is the highest).
3. The fan can be turned off by pressing "0" button.

#### CLEANING AND MAINTENANCE

Your fan requires little maintenance and contains no user serviceable parts. Do not attempt to dismantle the Fan Motor body yourself. The fan is permanently lubricated and will not require additional lubrication.

5

**Cleaning:** Always unplug the fan from the mains outlet before cleaning the appliance. The fan can be cleaned with a soft cloth. Deposits of dust can be removed by using a vacuum cleaner, ensuring that the air vents and grilles remain free from dust to prevent over-heating. The body of the fan can be cleaned with a damp cloth rinsed in hot soapy water. Always remove the plug from the mains outlet before cleaning.

**Important:** Do not allow water to run into the interior of the fan, as this can cause an electric shock. If water does enter the appliance, unplug and have it checked by a qualified electrician before further use.

#### Important Safety Instructions

When using electrical appliances, basic precautions should be followed to reduce the risk of fire and personal injury.  
( see inside front page of this manual )

- DO NOT connect the appliance to the mains voltage until completely assembled and adjusted.
- Before you connect the appliance, check if the voltage specified on the appliance corresponds to the mains voltage in your home.
- To protect against electric shock do not immerse the plug or cord into water or spray with liquids.
- Never put objects into the grille when the fan is connected to the mains.
- Unplug from outlet when not in use, when moving fan from one location to another, before putting on or taking off parts and before cleaning.
- It is not advisable to expose people (especially babies and older people) to a continuous cold air stream for a long time.
- DO NOT use fan in very hot or humid environment, such as bathroom.
- Make sure fan is on a stable surface when operating to avoid a chance of overturning.

6

- DO NOT use the fan near open windows as any spraying with rain may cause an electrical hazard.
- DO NOT use fan near curtains, plants, etc.
- DO NOT operate in the presence of explosive and / or flammable fumes.
- DO NOT place fan near any open flame, cooker or other heating appliance.
- DO NOT operate any appliance with a damaged cord, plug, or after the appliance has malfunctioned or has been dropped or damaged in any manner. Return instead to a qualified engineer for examination, service or repair.
- DO NOT allow the cord to overhang a table or worktop.
- To disconnect, grip plug and pull from wall outlet NEVER pull on the cord.
- Always use on a dry surface.
- This product is intended for household use only and not for commercial or industrial use.
- Disconnect fan before cleaning.
- Never remove the hinge bolt which forms the fan vertical hinge point on the head of the main body.
- DO NOT let the cord come into contact with hot surfaces.

#### CONNECTION TO POWER

Before connecting, check that the voltage indicated on the appliance corresponds with the mains voltage in your home. If this is not the case, consult your dealer and do not use.

This appliance may be fitted with a non-rewireable plug. If you need to change the fuse in a non-rewireable plug, the fuse cover must be refitted. If the fuse cover is lost or damaged, the plug must not be used until a replacement is obtained. It is important that the colour of the replacement fuse cover matches the colour marking on the base of the plug.

If the plug has to be changed because it is not suitable for your socket, or becomes damaged, it should be cut off and appropriate plug fitted following the wiring instructions. The plug removed must be disposed of safely as insertion into a mains socket is likely to cause an electrical hazard.

**For your own safety read the following instructions carefully before attempting to connect this unit to the mains.**

You should only plug the appliance into a 220V-240V AC, 50Hz supply. Connecting it to other power sources may damage the appliance.

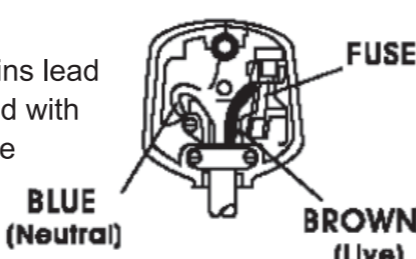
The wires in this mains lead are coloured in accordance with the following code:

BLUE = NEUTRAL  
BROWN = LIVE

#### IMPORTANT

As the colours of the wire in the mains lead of this appliance may not correspond with the coloured markings identifying the terminals in your plug, proceed as follows:

The blue wire must be connected to the terminal marked with the letter N or coloured black.  
The brown wire must be connected to the terminal marked with the letter L or coloured red.



8

No connection is to be made to the earth terminal of the plug.  
If a 13 Amp (BS1363/A) plug is used, a 3 Amp fuse must be fitted, or if any other type of plug is used, a 3 Amp fuse must be used.



Caution  
To prevent electric shock disconnect from the mains before removing the cover

This equipment must be disconnected from the mains when not in use. Do not allow this unit to be exposed to rain or moisture.

#### Technical Specifications

Voltage: 220-240V  
Frequency: 50Hz  
Power: 40W

We apologise for any inconvenience caused by any minor inconsistencies in these instructions, which may occur as a result of product improvements and development.

9



WASTE ELECTRICAL PRODUCTS SHOULD NOT BE DISPOSED OF WITH HOUSEHOLD WASTE. PLEASE RECYCLE WHERE FACILITIES EXIST. CHECK WITH YOUR LOCAL AUTHORITY FOR RECYCLING ADVICE.

7

**Argos**

**PRODUCT GUARANTEE**

This product is guaranteed against manufacturing defects for a period of

1

Year

This product is guaranteed for twelve months from the date of original purchase. Any defect that arises due to faulty materials or workmanship will either be replaced, refunded or repaired free of charge where possible during this period by the dealer from whom you purchased the unit.

The guarantee is subject to the following provisions:

- The guarantee does not cover accidental damage, misuse, cabinet parts, knobs or consumable items.
- The product must be correctly installed and operated in accordance with the instructions contained in this manual. A replacement copy of this Instruction Manual can be obtained from [www.argos-support.co.uk](http://www.argos-support.co.uk)
- It must be used solely for domestic purpose.
- The guarantee will be rendered invalid if the product is re-sold or has been damaged by inexpert repair.
- Specifications are subject to change without notice.
- The manufacturer disclaims any liability for the incidental or consequential damages.
- The guarantee is in addition to, and does not diminish your statutory or legal rights.

Guarantor: Argos Limited  
489 - 499 Avebury Boulevard  
Central Milton Keynes  
MK9 2NW  
[www.argos-support.co.uk](http://www.argos-support.co.uk)

6