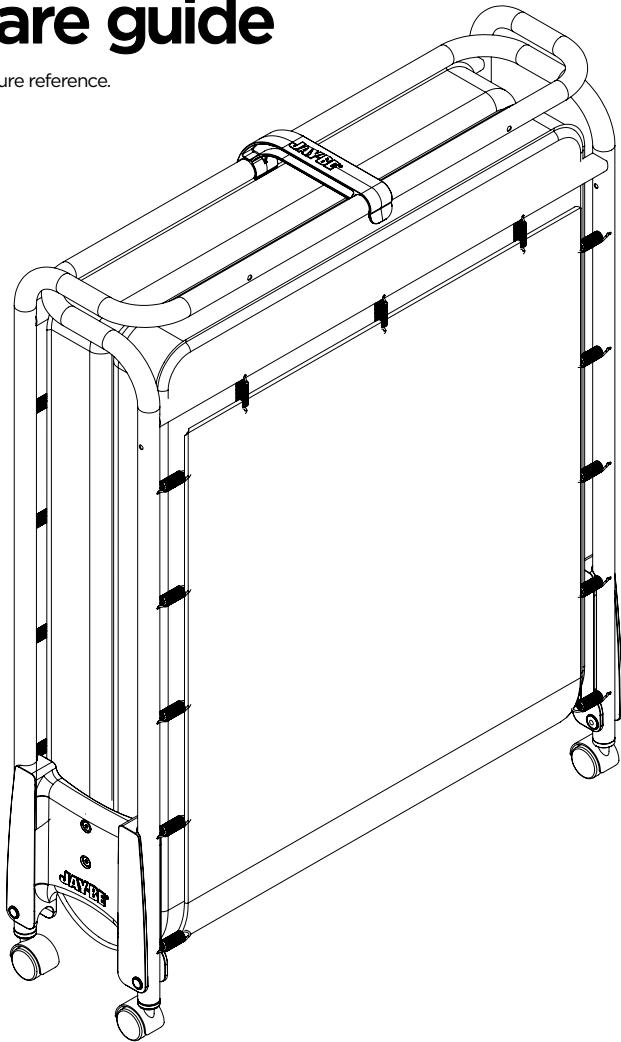


# JAY-BE®

Sleep Smart

## Your assembly and care guide

Please retain for future reference.  
REF: PR2007



**Need assistance?  
Contact us directly**

See back page for more details.

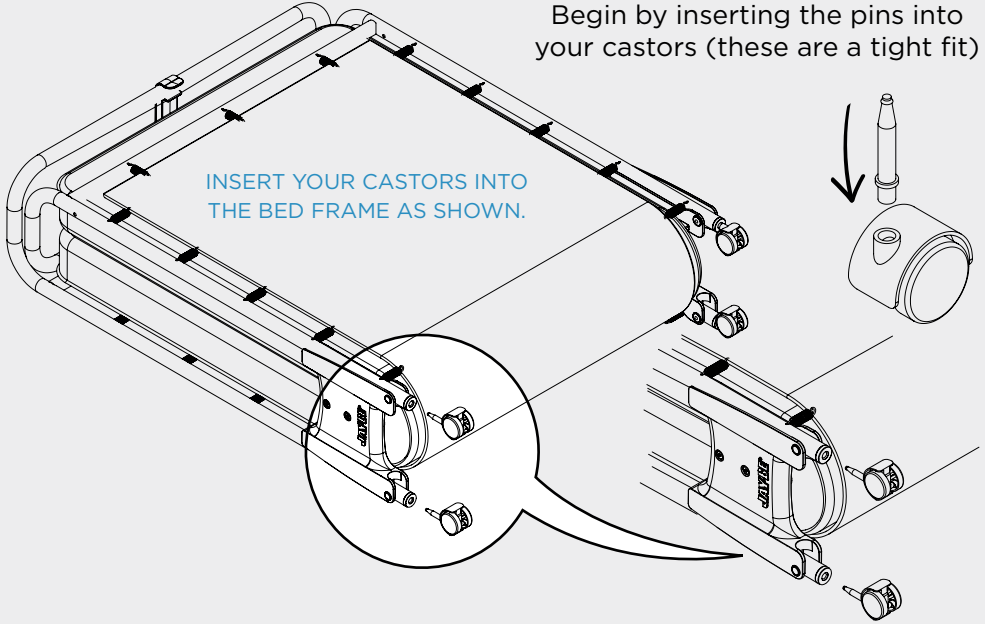
# Need assistance? Contact us directly

See back page for more details.

## Step 1 - Begin by fitting the castors

Begin by inserting the pins into your castors (these are a tight fit)

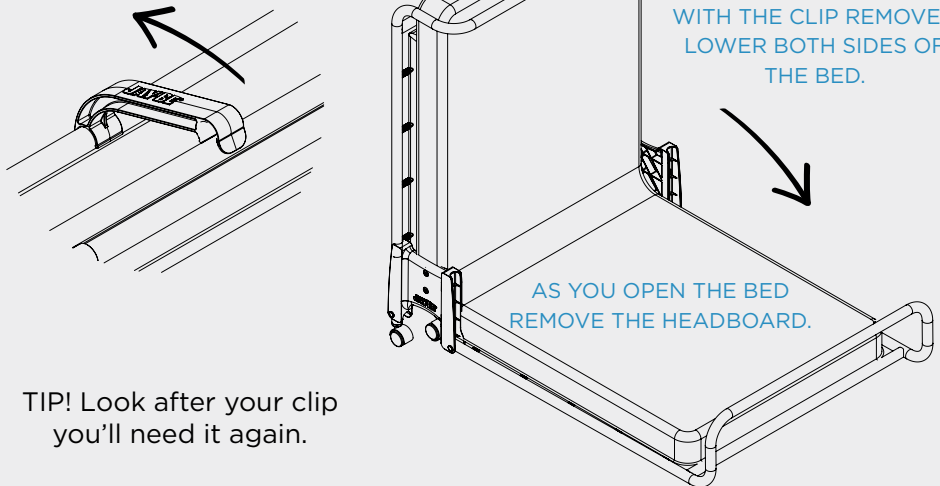
INSERT YOUR CASTORS INTO THE BED FRAME AS SHOWN.



## Step 2 - Release clip and open

WITH THE CLIP REMOVED LOWER BOTH SIDES OF THE BED.

AS YOU OPEN THE BED REMOVE THE HEADBOARD.



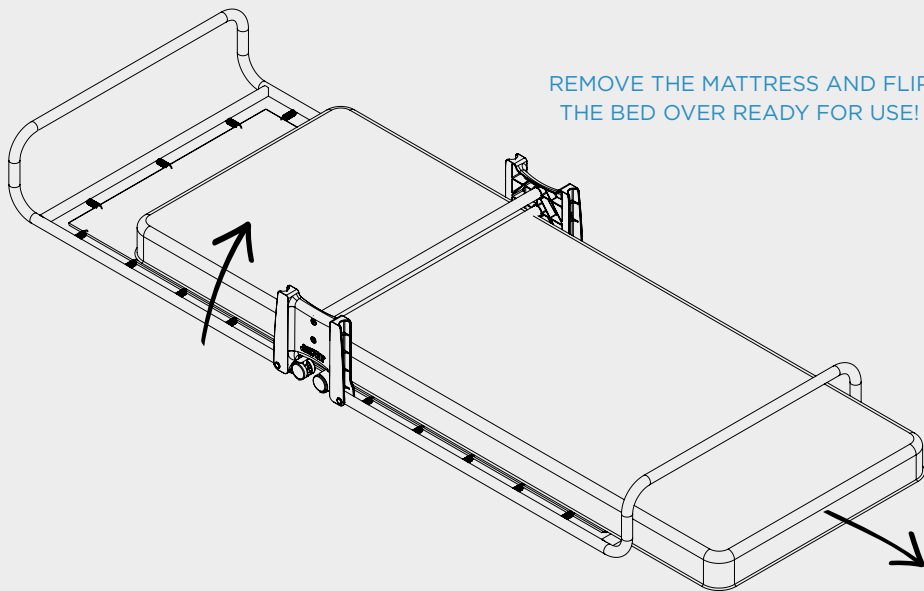
TIP! Look after your clip you'll need it again.

## Register your product for a free Lifetime Guarantee

See back page for more details.

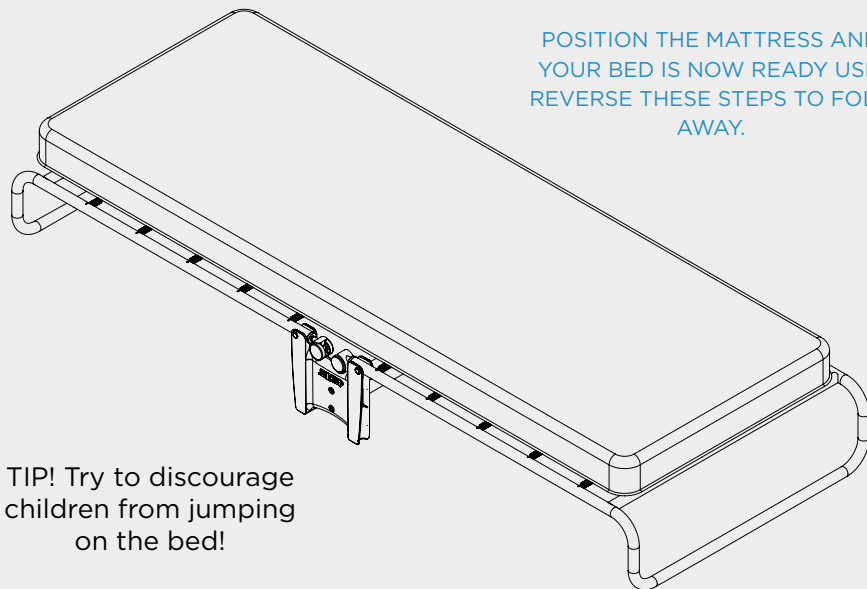
### Step 3 - Remove mattress and flip

REMOVE THE MATTRESS AND FLIP  
THE BED OVER READY FOR USE!



### Step 4 - Your bed is now ready for use

POSITION THE MATTRESS AND  
YOUR BED IS NOW READY USE.  
REVERSE THESE STEPS TO FOLD  
AWAY.



TIP! Try to discourage  
children from jumping  
on the bed!

## For your safety

We take your safety very seriously, that's why JAY-BE® products are designed and tested to meet rigorous International Safety and Quality Standards.

This sofa bed contains moving parts. Please be aware of hand entrapment when operating and never allow children to play on this product. Do not use the sofa bed if a part is broken, torn or missing.

## Taking care of your bed

To clean your new bed, use a clean damp cloth. To store your bed, we recommend that it is covered and situated in a dry area at normal room temperature. JAY-BE® Storage Covers, designed to fit your bed perfectly are available.

To extend the lifespan of your mattress we recommend that you turn it on a monthly basis.

## Need help?

### Contact us directly

If you require any assistance with your new product please call our in-house specialist support team for expert advice.



**For assistance in the UK**  
**call: +44 (0)1924 66 66 33**

**Email: [service@jaybe.com](mailto:service@jaybe.com)**  
**Website: [www.jaybe.com](http://www.jaybe.com)**

**Helpline open:** Mon to Thurs  
9am - 5pm (4pm Friday)



**For assistance in the USA**  
**call: (800) 779-2650**

**Email: [care@jaybe.com](mailto:care@jaybe.com)**  
**Website: [www.jaybe.com/usa](http://www.jaybe.com/usa)**

**Helpline open:** Mon to Fri  
9am - 5pm EST



**Scan here to register  
your free Lifetime  
Guarantee.**

**Or you can register online at:**  
**[www.jaybe.com/guarantee-register](http://www.jaybe.com/guarantee-register)**