

# Malibu - 2 Door Robe

Assembly Instructions - Please keep for future reference

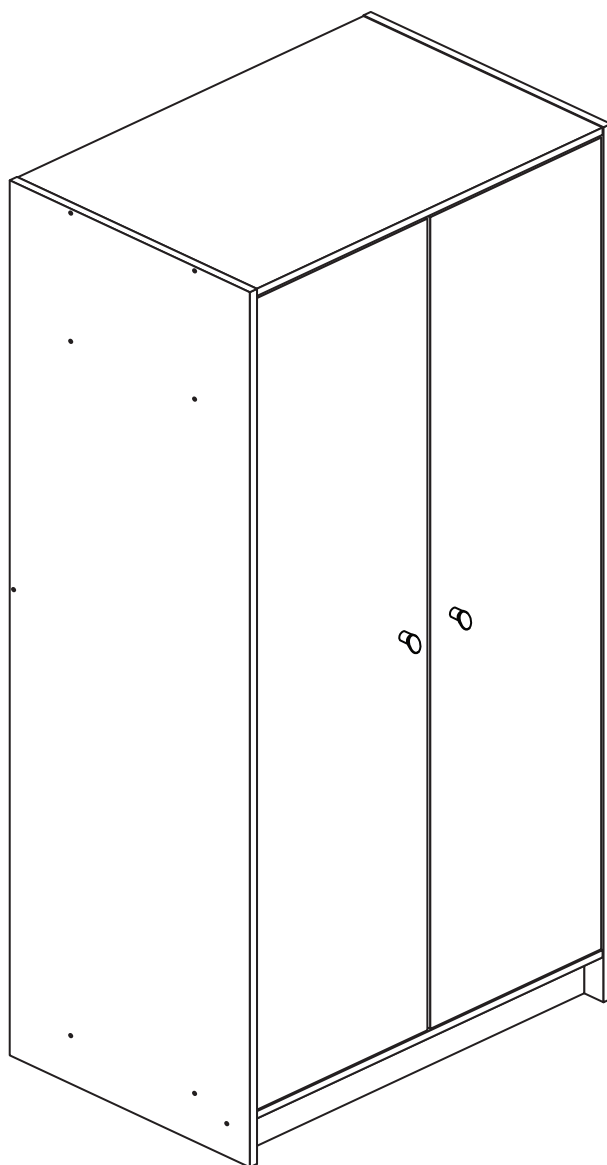
428/3445

412/3402

414/7756

424/3973

424/7302



## Dimensions

Width - 75cm

Depth - 49.5cm

Height - 181cm



**MADE IN  
BRITAIN**

**Important** - Please read these instructions fully before starting assembly

If you need help or have damaged or missing parts, call the **Customer Helpline: 03456 400800**



# Safety and Care Advice

**Important - Please read these instructions fully before starting assembly**

- **Warning:** This unit weighs approximately 49kgs. Please lift with care.

- Check you have all the components and tools listed on pages 2 and 3.

- Remove all fittings from the plastic bags and separate them into their groups.

- Keep children and animals away from the work area, small parts could choke if swallowed.

- Parts of the assembly will be easier with 2 people.

- Make sure you have enough space to layout the parts before starting.

- Do not stand or put weight on the product, this could cause damage.

- Assemble the item as close to its final position (in the same room) as possible.

- Assemble on a soft level surface to avoid damaging the unit or your floor (use opened out unit carton).



- We do not recommend the use of power drill/drivers **for inserting screws**, as this could damage the unit. Only use hand screwdrivers.

- **Safety note:** It is recommended that this unit is secured to a wall using the overbalance protector kit supplied or, an alternative fixing method of your choice.

- Dispose of all packaging carefully and responsibly.

## Care and maintenance

- Only clean using a damp cloth and mild detergent, do not use bleach or abrasive cleaners.

- From time to time check that there are no loose screws on this unit.

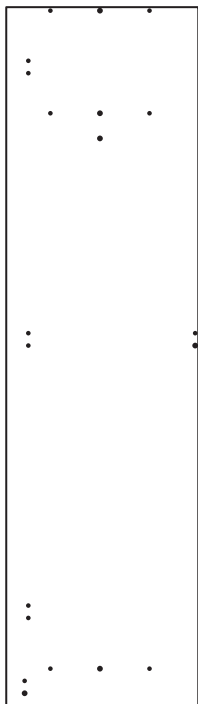
- This product should not be discarded with household waste. Take to your local authority waste disposal centre.

**Note:** If required the next page can be cut out and used as reference throughout the assembly. Keep this page with these instructions for future reference.

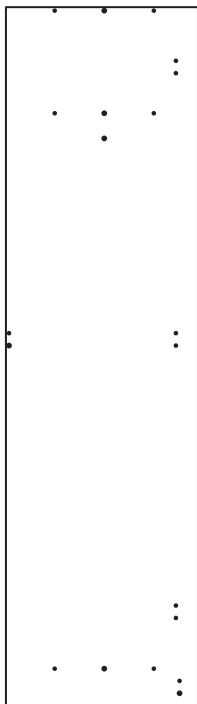
# Components - Panels

If you have damaged or missing components, call the **Customer Helpline: 03456 400800** quoting the reference numbers below

Please check you have all the panels listed below



**1** Left Side (DF3568)  
(180.8 x 49.6cm)



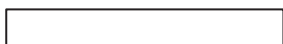
**2** Right Side (DF3569)  
(180.8 x 49.6cm)



**3** Top/Base (DF3570)  
(71.6 x 49.4cm) x 2



**4** Shelf (DF3579)  
(71.6 x 47.6cm)



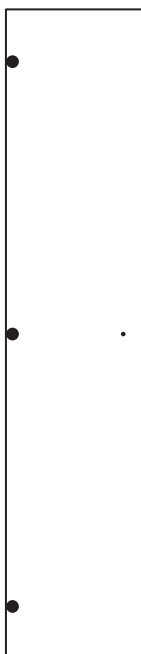
**5** Plinth (DF3575)  
(71.6 x 9.2cm)



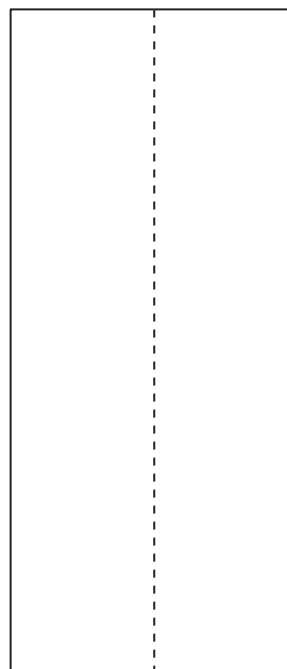
**6** Back Rail (DF3576)  
(71.6 x 9.2cm)



**7** Hanging Rail (FHR704)  
(70.4cm long)



**8** Door (DF3573)  
(167.7 x 35.3cm) x 2



**9** Back (X1711-742)  
(171.1 x 74.2cm)





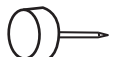
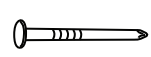
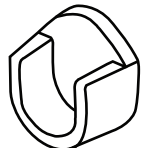
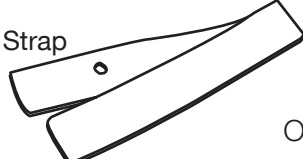



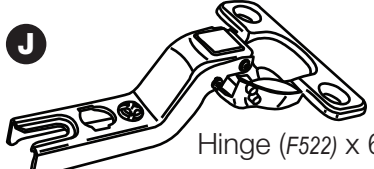



# Components - Fittings

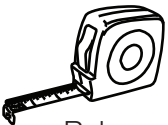
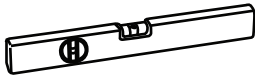

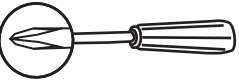

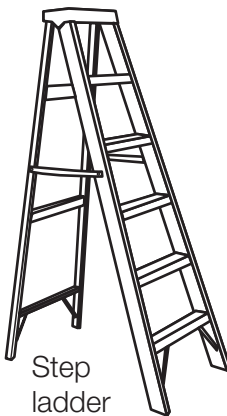



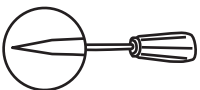
If you have damaged or missing components, call the **Customer Helpline: 03456 400800** quoting the reference numbers below

Please check you have all the fittings listed below

**Note:** The quantities below are the correct amount to complete the assembly. In some cases more fittings may be supplied than are required.

<p><b>A</b> </p> <p>Wooden dowel (F22) x 10</p>	<p><b>B</b> </p> <p>40mm Screw (F910) x 16</p>	<p><b>C</b> </p> <p>25mm Screw (F50) x 2</p>
<p><b>D</b> </p> <p>13mm Screw (F63) x 14</p>	<p><b>E</b> </p> <p>Plastic Nail (F91) x 4</p>	<p><b>F</b> </p> <p>Nail (F51) x 31</p>
<p><b>G</b> </p> <p>Rail holder (F1014) x 2</p>	<p><b>H</b>    Screw Washer x 2</p> <p>Overbalance protector kit (F269) x 1</p>	
<p><b>I</b> </p> <p>Hinge plate (F523) x 6</p>	<p><b>J</b> </p> <p>Hinge (F522) x 6</p>	<p><b>K</b> </p> <p>Handle (F631) x 2</p>

## Tools required

<p></p> <p>Rule</p>	<p></p> <p>Spirit level</p>	<p></p> <p>Eye protection (when using a hammer or drill)</p>	<p></p> <p>Cross-head screwdriver</p>	<p></p> <p>Electric drill (only use when drilling into walls)</p>	<p></p> <p>Step ladder</p>
<p></p> <p>Square</p>	<p></p> <p>Scissors</p>	<p></p> <p>Hammer</p>	<p></p> <p>Bradawl</p>		

Ruler - Use this ruler to help correctly identify the screws



# Assembly Instructions

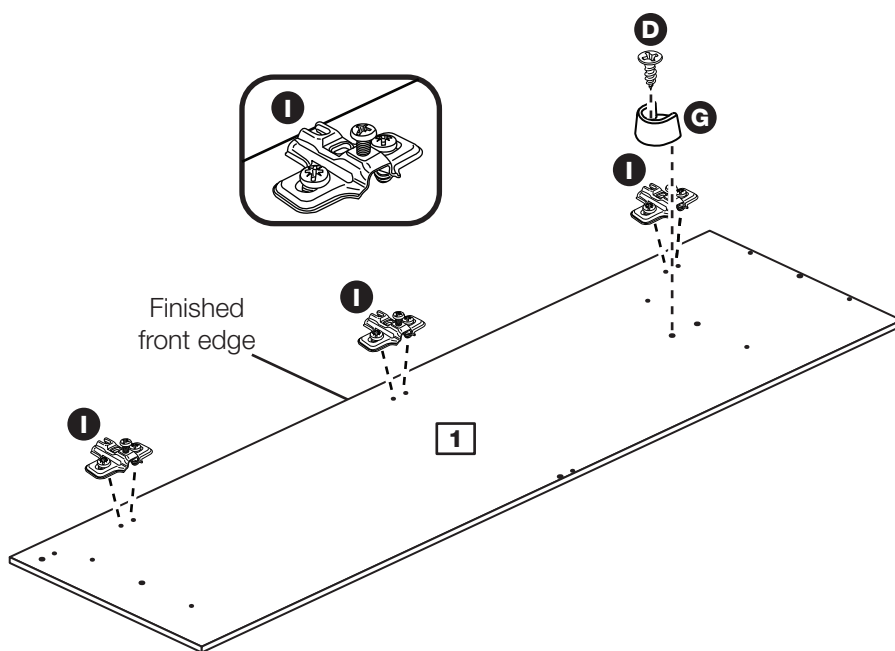
If you have damaged or missing components, call the **Customer Helpline: 03456 400800** quoting the reference numbers below

## Step 1

### Prepare the left side

Fit 3 hinge plates **I** onto the left side **1** making sure that the slot is facing towards the finished front edge.

Push a rail holder **G** into the left side **1**. Make sure that it is fitted straight, in line with the panel edges and then secure with screw **D**.

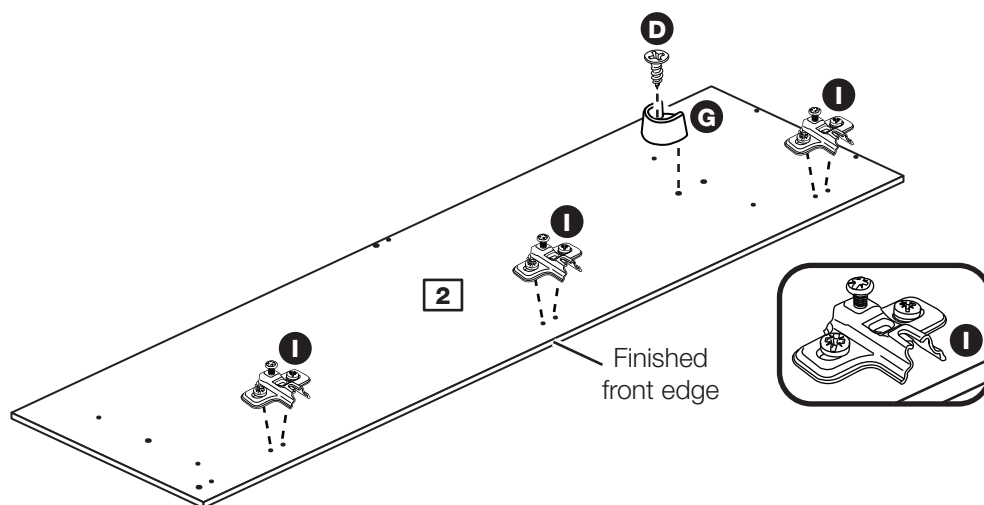


## Step 2

### Prepare the right side

Push a rail holder **G** into the right side **2**. Make sure that it is fitted straight, in line with the panel edges and then secure with screw **D**.

Fit 3 hinge plates **I** onto the right side **2**, making sure that the slot is facing towards the finished front edge.



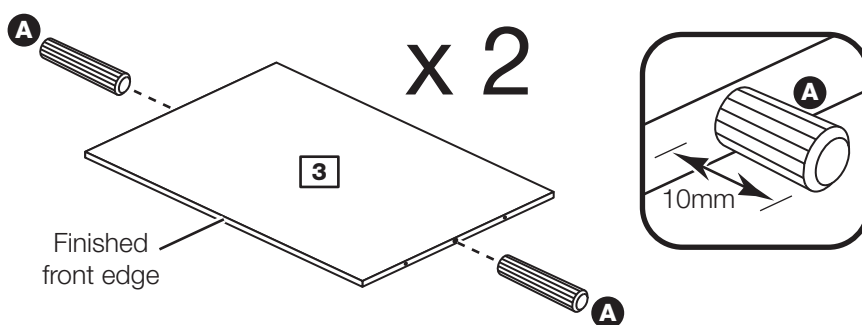
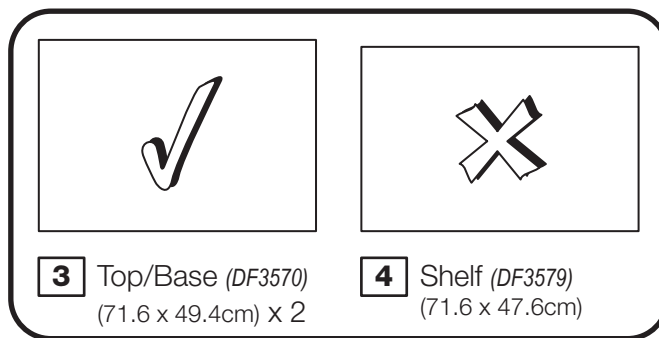
# Assembly Instructions

## Step 3

### Prepare the 2 top/base panels

Tap 2 wooden dowels **A** into each of the 2 top/base panels **3**.

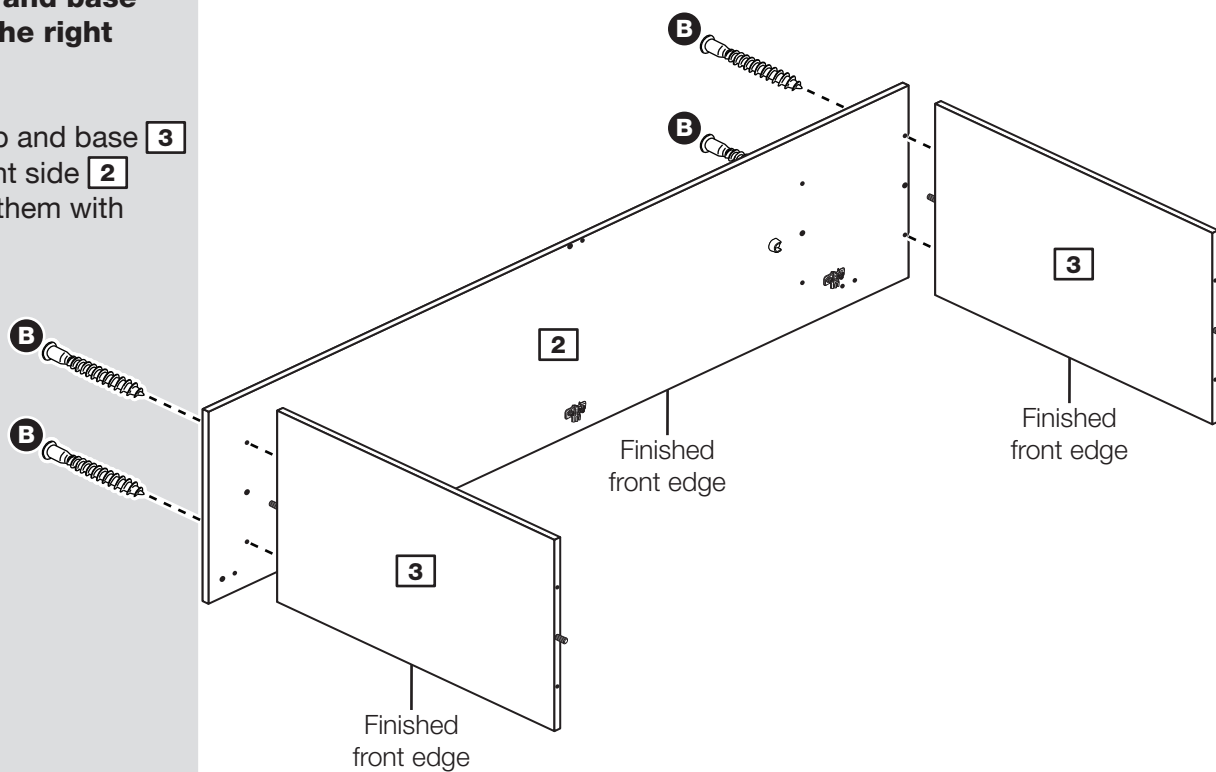
**Note:** Wooden dowels **must not** stick out from the edge by more than 10mm or they may damage other panels.



## Step 4

### Fit the top and base panels to the right side

Push the top and base panels **3** onto the right side **2** and secure them with screws **B**.

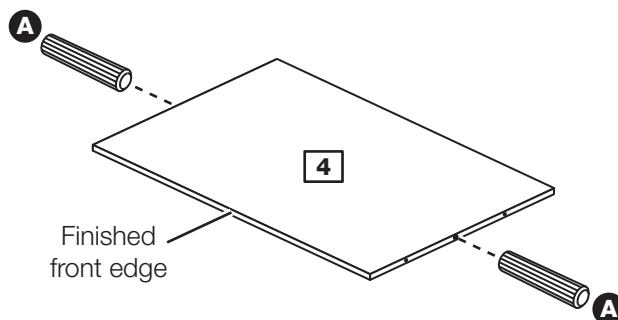


# Assembly Instructions

## Step 5

### Prepare the shelf

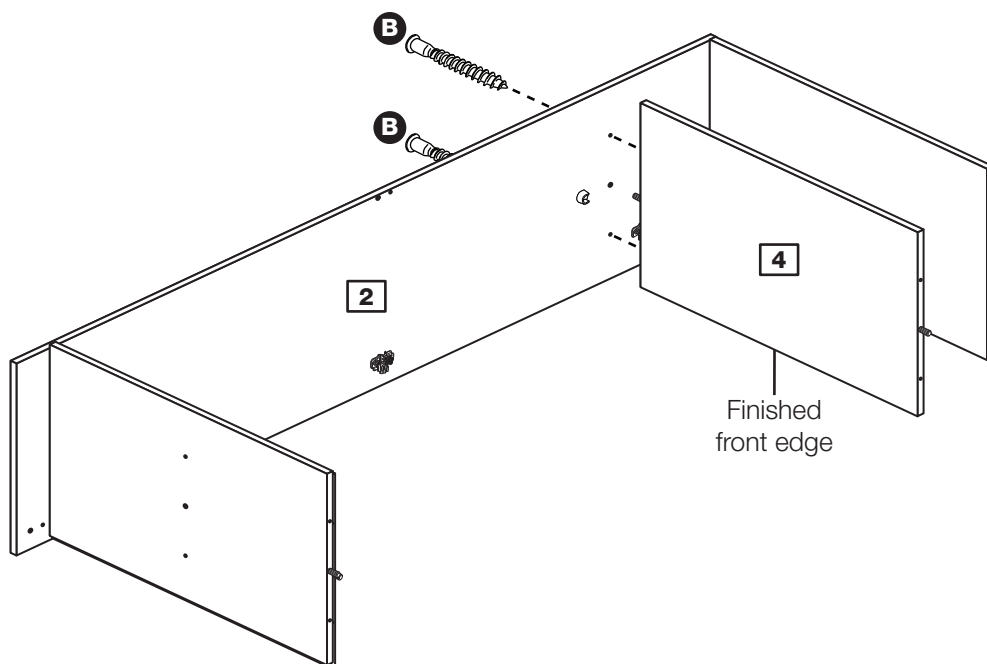
Tap 2 wooden dowels **A** into the shelf **4**.



## Step 6

### Fit the shelf

Push the shelf **4** onto the right side **2** and secure it with screws **B**.



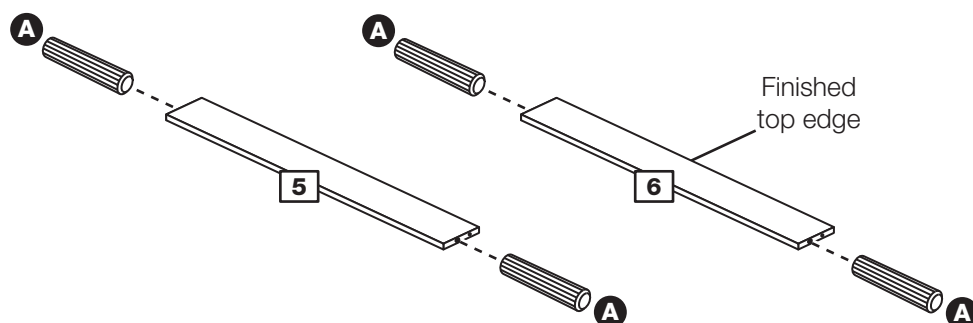
## Step 7

### Prepare the plinth and back rail

Tap 2 wooden dowels **A** into the plinth **5**.

Tap 2 wooden dowels **A** into the back rail **6**.

**Note:** The back rail has a finished top edge.



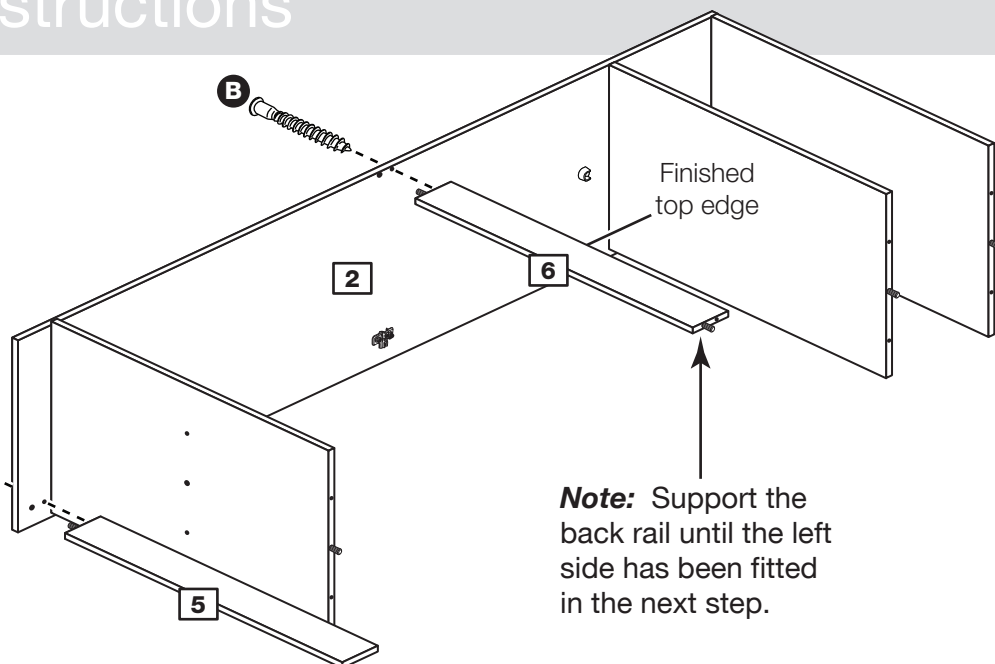
# Assembly Instructions

## Step 8

### Fit the plinth and back rail

Push the plinth **5** onto the right side **2** and secure it with screw **B**.

Push the back rail **6** onto the right side **2** and secure it with screw **B**.

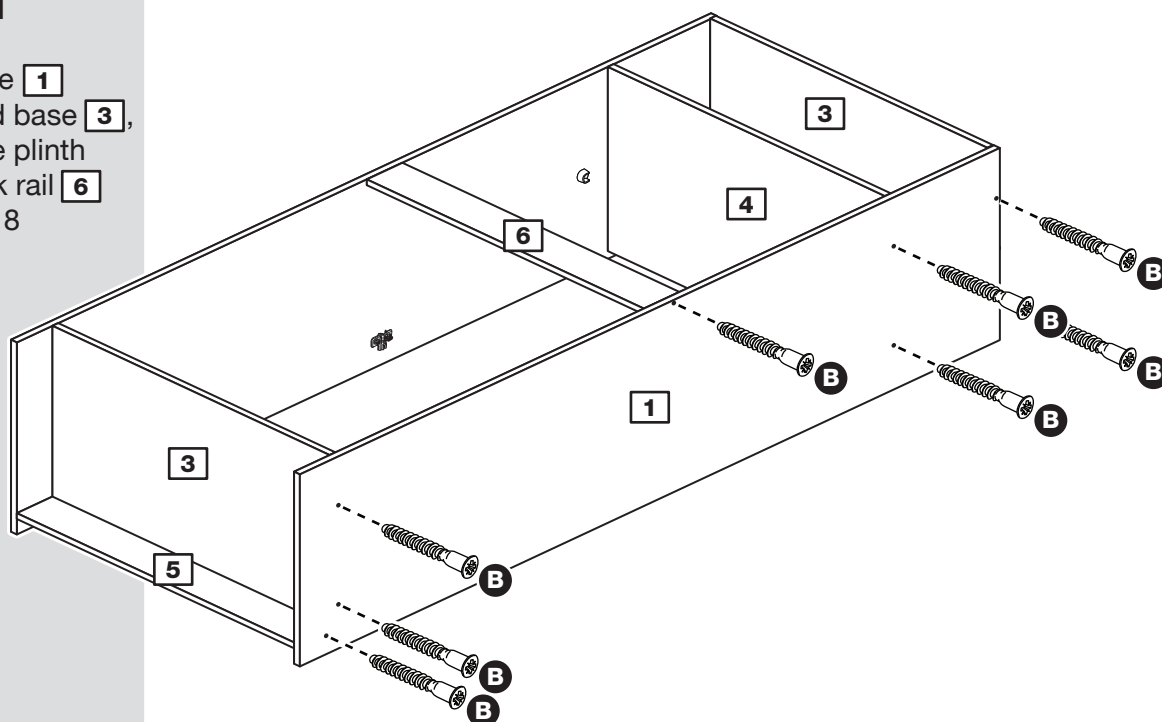


**Note:** Support the back rail until the left side has been fitted in the next step.

## Step 9

### Fit the left end

Push the left side **1** onto the top and base **3**, the shelf **4**, the plinth **5** and the back rail **6** and secure with 8 screws **B**.





# Assembly Instructions

## Step 10

### Fit the back

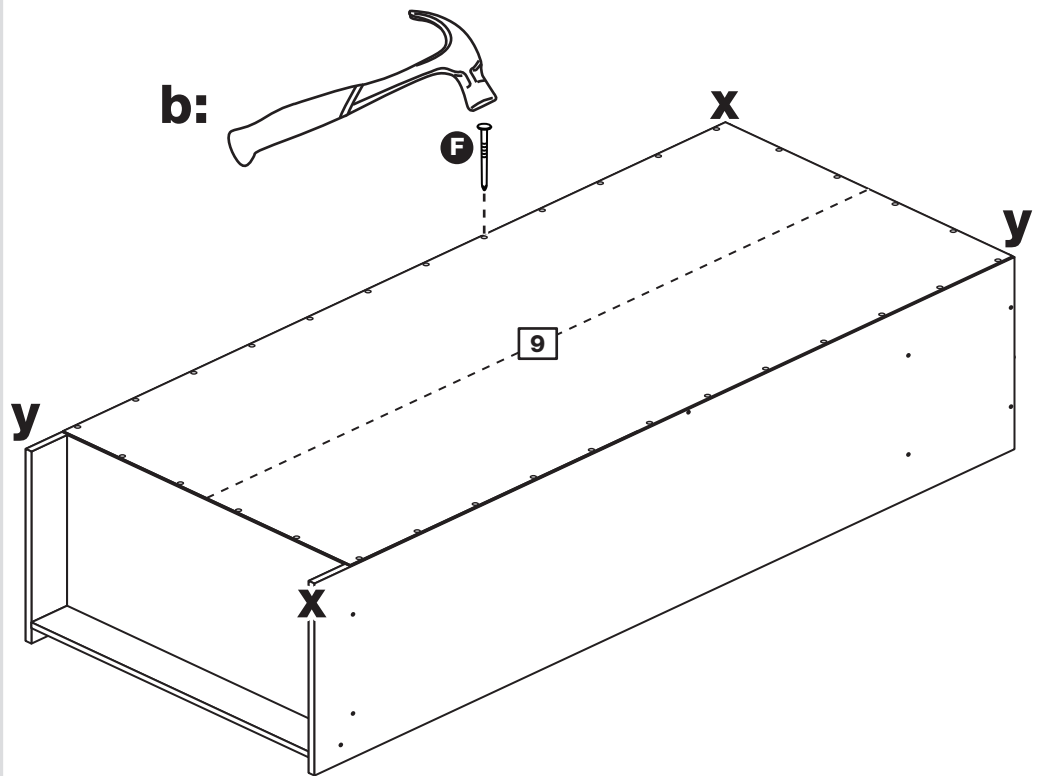
**a:** Square up the unit by making sure that measurement **x to x** equals **y to y**.

**b:** Place the back **9** onto the unit.

Nail **F** around the outside edges of the back **9**.

**Note:** Nails should be spaced about 150mm apart.

**a:** The measurement from top corner X to bottom corner X must be equal to the measurement from top corner Y to bottom corner Y

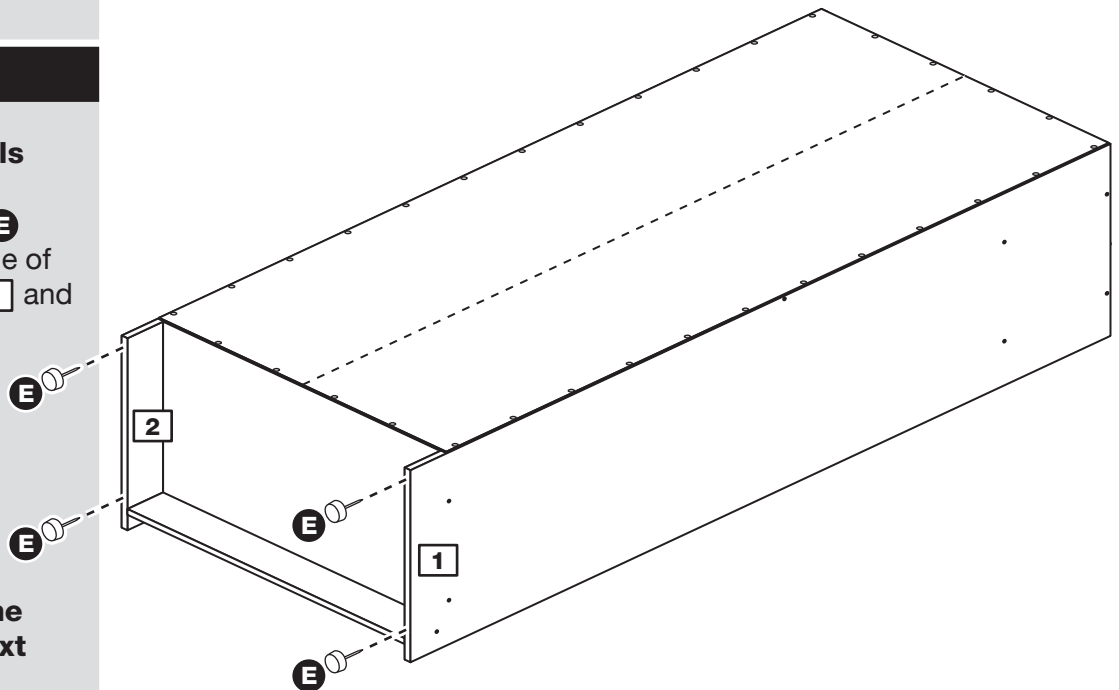


## Step 11

### Fit the plastic nails

Tap 2 plastic nails **E** into the bottom edge of each of the sides **1** and **2**.

**Carefully stand the unit up for the next step.**



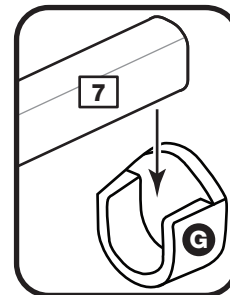
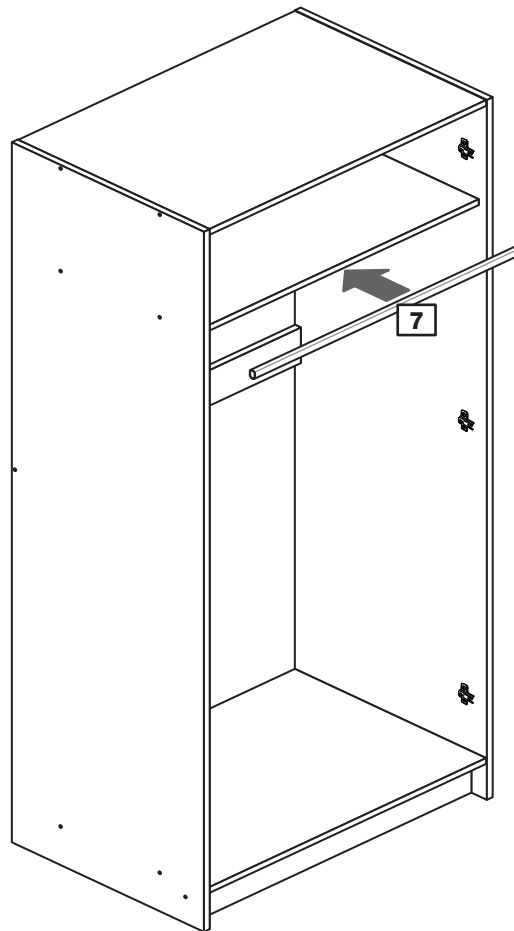
**Warning:** The unit is heavy. Lift with care.

# Assembly Instructions

## Step 12

### Fit the hanging rail

Push the hanging rail **7** into the rail holders **G**.



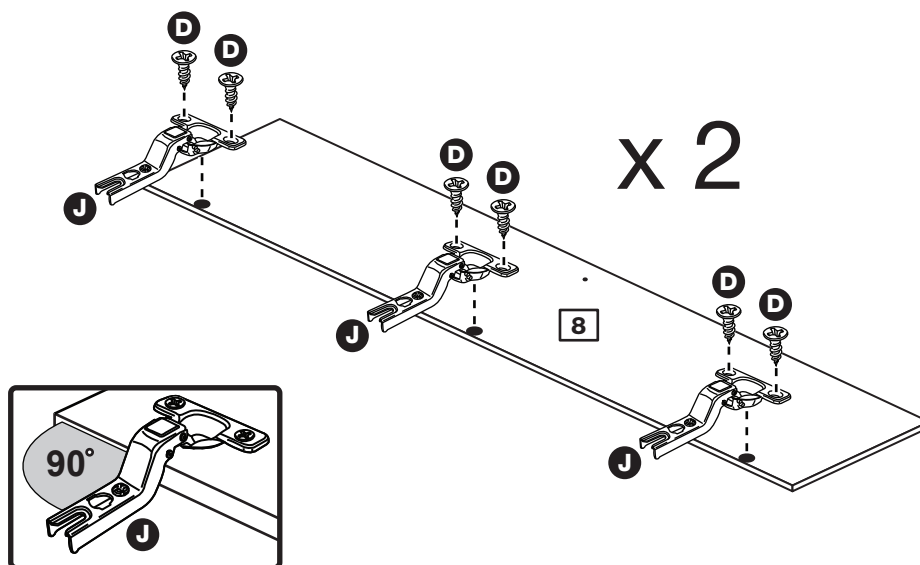
## Step 13

### Prepare the 2 doors

Push fit 3 hinges **J** into each of the 2 doors **8**.

Secure each hinge with 2 screws **D**.

**Note:** Before securing with the screws, make sure that the hinges are positioned at 90 degrees with the edge of the door.



# Assembly Instructions

## Step 14

### Fit doors and handles

**Note:** The easiest way to attach each door **8** is to fit the top hinge first, then align and fit the other hinges.

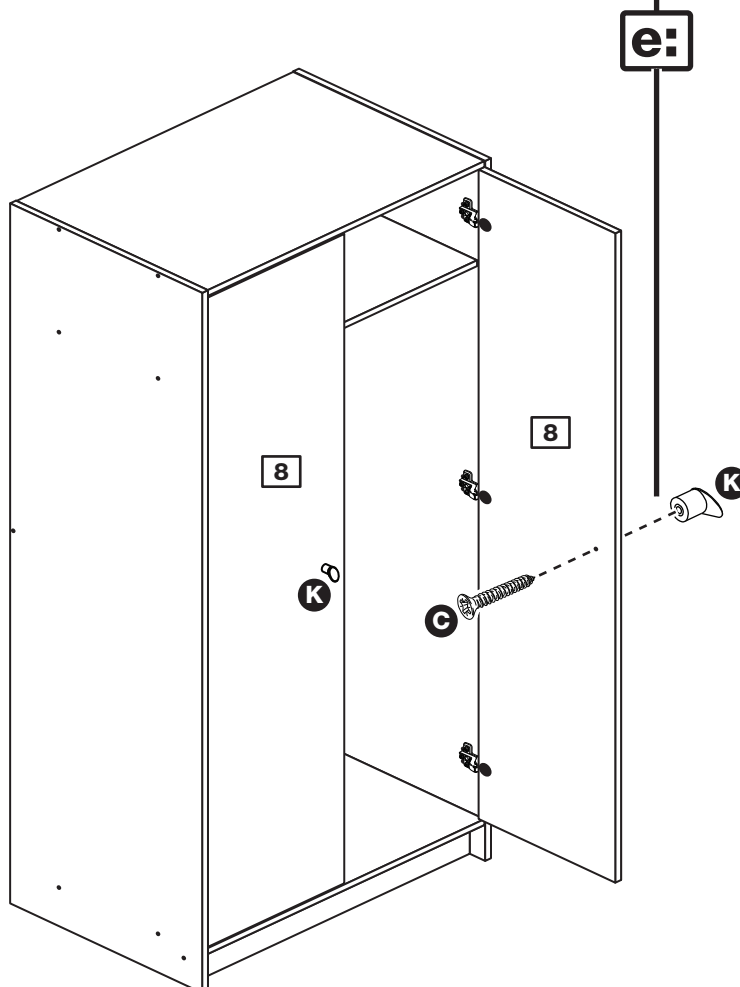
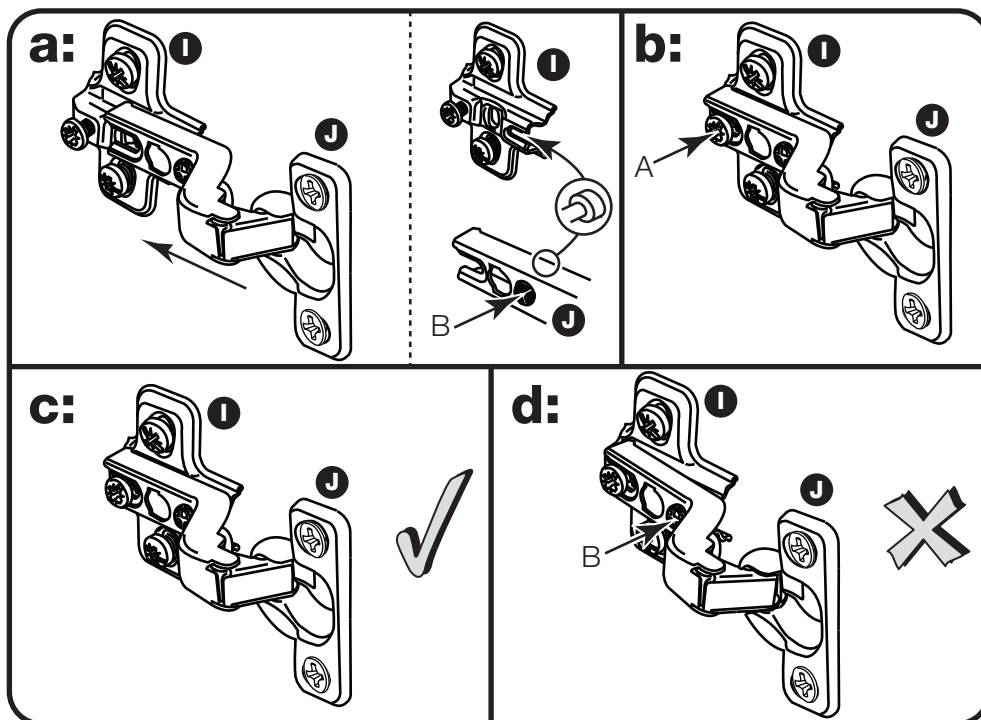
**a:** Push the hinge **J** onto the front part of the hinge plate **I**. The recess at the bottom of screw B goes into the slot in the hinge plate.

**b:** Keep the hinge **J** FLAT against the hinge plate **I** as you slide it across as far as it will go. Tighten screw A.

**c:** The hinge **J** must be flat against the hinge plate **I** prior to any adjustment.

**d:** The hinge **J** must NOT be AT AN ANGLE to the hinge plate **I** when assembled. This would indicate that the recess at the bottom of screw B had not located in the slot in the hinge plate and the hinge would not be secure. Remove the hinge from the hinge plate and then re-assemble being careful to follow instructions a-c.

**e:** Attach a handle **K** to each door **8** using screws **C**.



# Assembly Instructions

## Step 15

### Adjust the doors if needed

**a:** Before adjusting the doors, use a spirit level to check the base (or top) of the unit is level, front-to-back and side-to-side in the 3 positions shown. Use suitable packing pieces (not supplied) to make the unit level BEFORE making any adjustment to the hinges, as shown.

### **b:** Height adjustment.

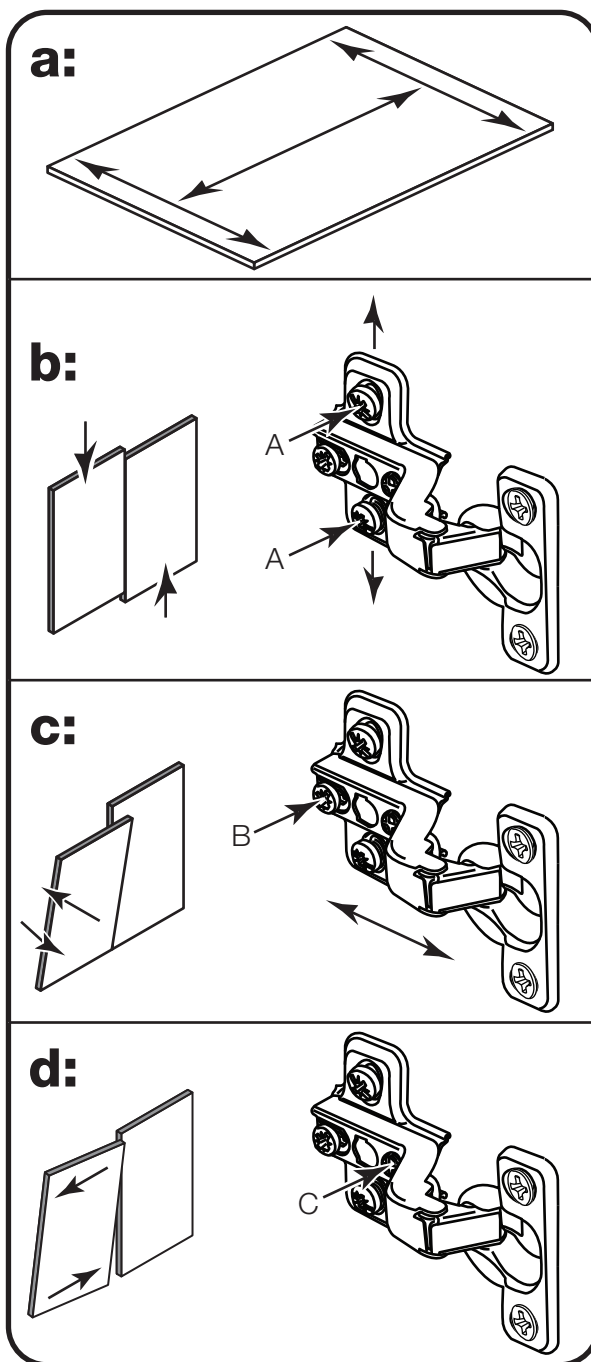
Loosen screws A on hinge plates and move door up or down as required. Retighten screw A.

### **c:** Forward and Back adjustment.

Loosen screw B on hinge plate and move door in or out as required. Retighten screw B.

### **d:** Sideways adjustment.

To move door 'out' loosen screw C. To move door 'in' tighten screw C.



# Assembly Instructions

## Step 16

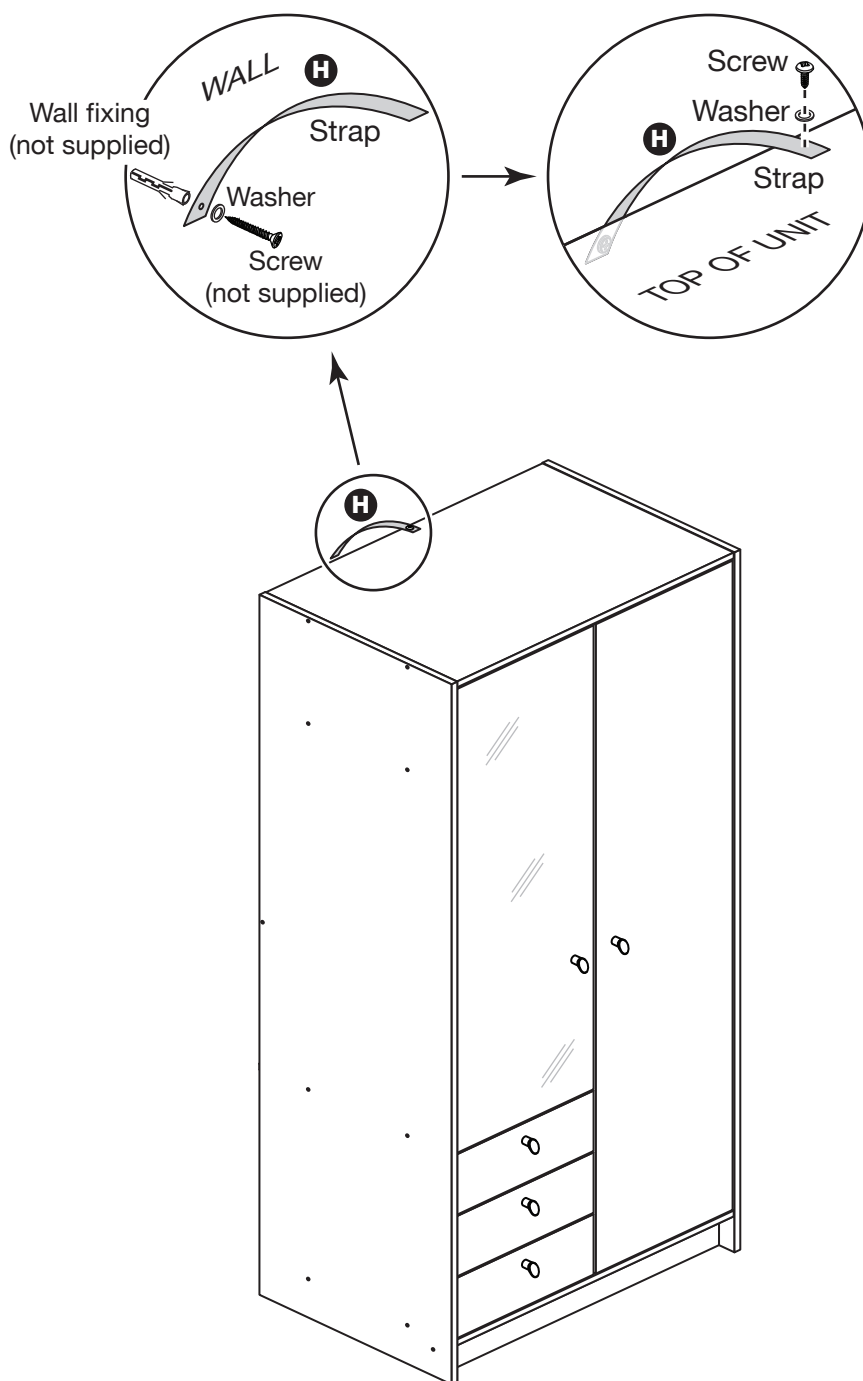
### Fit the overbalance protector

To prevent possible overbalancing we recommend that this unit is secured to a suitable wall by fitting of the overbalance protector kit **H** to the unit, or an alternative fixing method of your choice.

Wall fixings are not supplied as they will need to suit the wall type.

**Note:** Take care when drilling the wall that you do not drill into any pipes, wires etc. If in doubt, consult an expert.

**Assembly is complete**



If you need help or have damaged or missing parts, call the Customer Helpline: 03456 400800 and quote the reference numbers on the component pages.

Argos Ltd, 489-499 Avebury Boulevard, Central Milton Keynes, MK9 2NW



