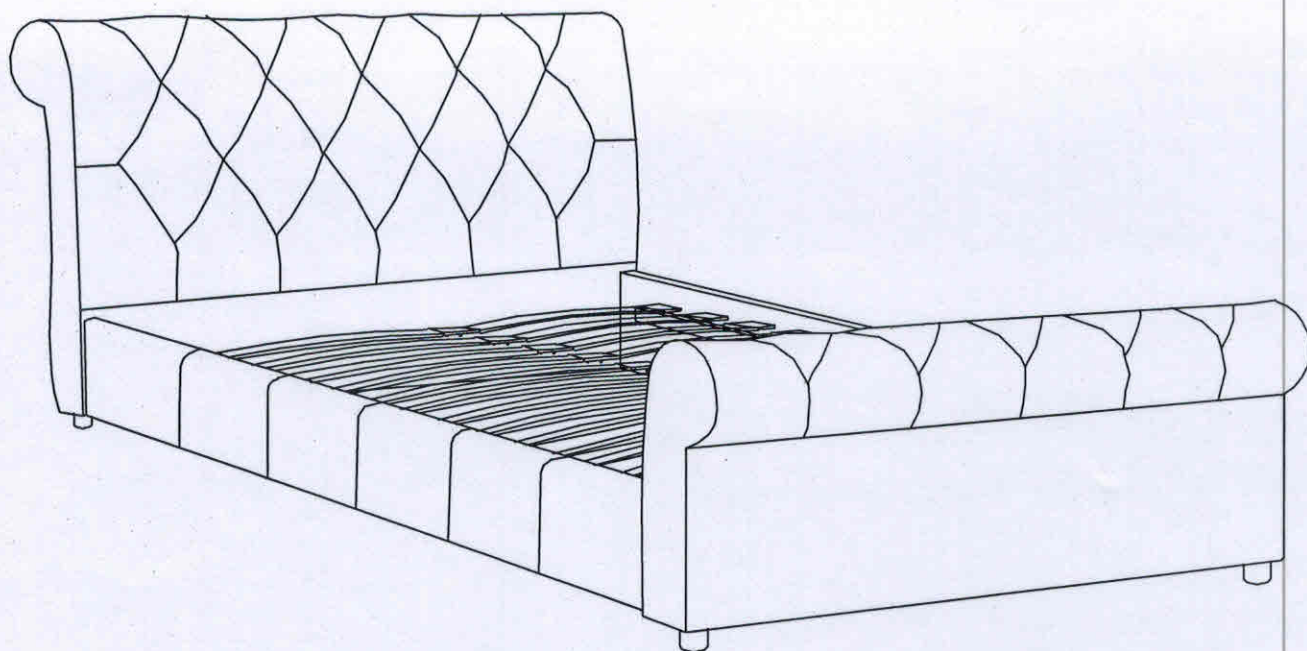


# new bury 5 ft frame

Assembly Instructions - Please keep for future reference

424/6585



## Dimensions

Width x Depth x Height

239.5cm x 164.5cm x 93.5cm (King)

**Important - Please read these instructions fully before starting assembly**

If you need help or have damaged or missing parts, call the Customer Helpline:  
**Argos = 0345 6400800**



# Safety and Care Advice

## Important – Please read these instructions fully before starting assembly

- Check you have all the components and tools listed on pages 2 and 3.
- Remove all fittings from the plastic bags and separate them into their groups.
- Keep children and animals away from the work area, small parts could choke if swallowed.
- Make sure you have enough space to layout the parts before starting.

- Assemble the item as close to its final position (in the same room) as possible.
- Assemble on a soft level surface to avoid damaging the unit or your floor.
- Assembly requires 2 people.
- Do not fully tighten bolts until the whole bed is assembled. Do not overtighten the nuts to avoid causing damage to the threads.



- We do not recommend the use of power drill/drivers **for inserting bolts and screws**, as this could damage the unit. Only use hand screwdrivers and Allen keys.
- Dispose of all packaging carefully and responsibly.

## Care and maintenance

- Only clean using a damp cloth and mild detergent, do not use bleach or abrasive cleaners.
- From time to time check that there are no loose bolts or screws on this unit.
- This product should not be discarded with household waste. Take to your local authority waste disposal centre.

## Handy Hints

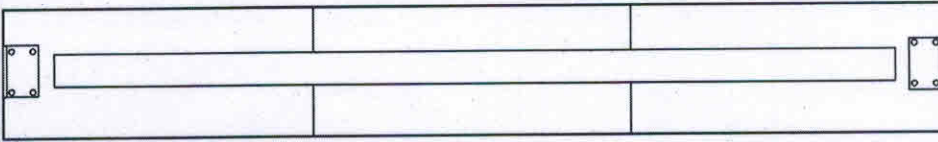
- Assemble all parts and bolts loosely during assembly, only once the product is complete should you fully tighten the bolts.
- Regularly check and ensure that all bolts and fittings are tightened properly.

**Note:** if required the next page can be cut out and used as reference throughout the assembly. Keep this page with these instructions for future reference.

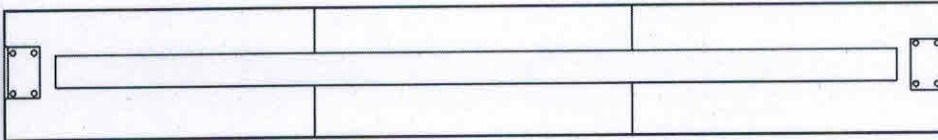
# Components

If you need help or have damaged or missing parts, call the  
Customer Helpline: Argos = 0345 6400800

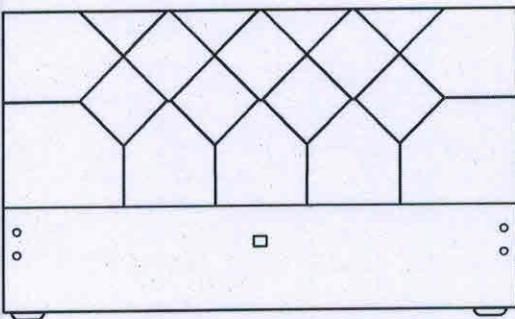
Please check you have all the parts listed below



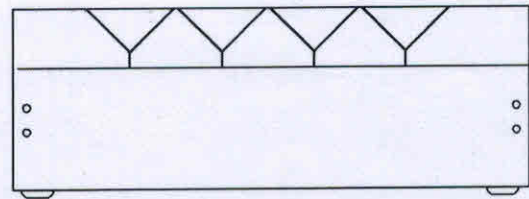
1 Right side rail



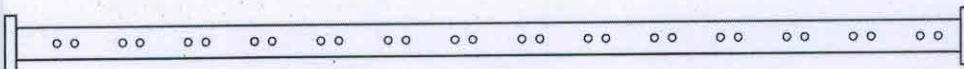
2 Left side rail



3 Headboard



4 Footboard



5 Central support rail








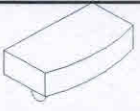


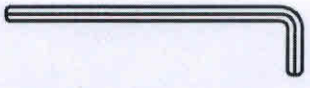
6 Slats x 28



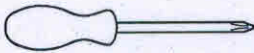
# Components - Fittings

Please check you have all the fittings listed below

**Note:** The quantities below are the correct amount to complete the assembly. In some cases more fittings may be supplied than are required.

<p><b>A</b></p>  <p>Bolts (18mm) x 8</p>	<p><b>B</b></p>  <p>Bolts (40mm) x 2</p>	<p><b>C</b></p>  <p>Boltd (20mm) x 4</p>
<p><b>D</b></p>  <p>Washers x 6</p>	<p><b>E</b></p>  <p>Feet x 2</p>	<p><b>F</b></p>  <p>End slat caps x 28</p>
<p><b>G</b></p>  <p>Central slat caps x 14</p>	<p><b>H</b></p>  <p>Feet x 4</p>	<p><b>I</b></p>  <p>M5 Allen key x 1 (supplied)</p>

## Tools required



Phillips screwdriver

**Ruler** - Use this ruler to help correctly identify the screws



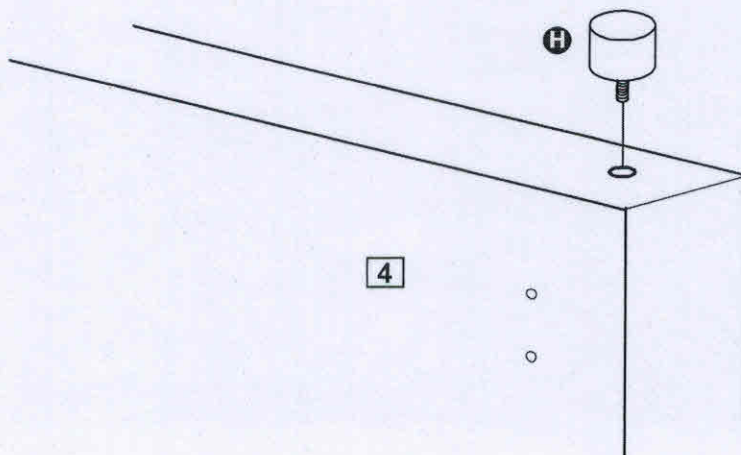
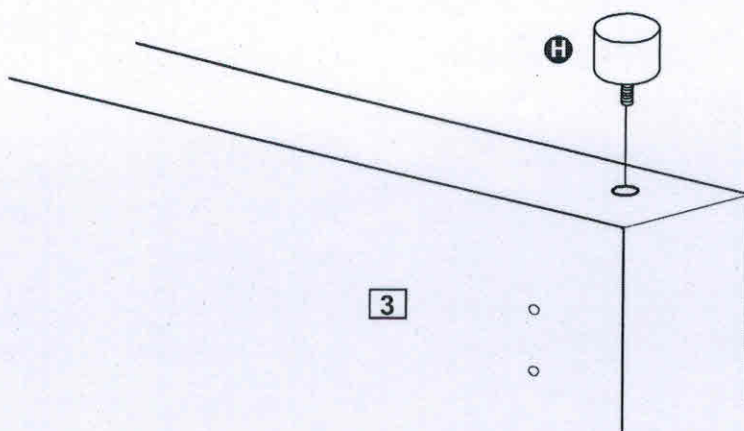
# Assembly Instructions

## Step 1

### Attaching feet

Attach 2 x feet **H** to the underside of the headboard **3**

Repeat on the underside of the footboard **4**.



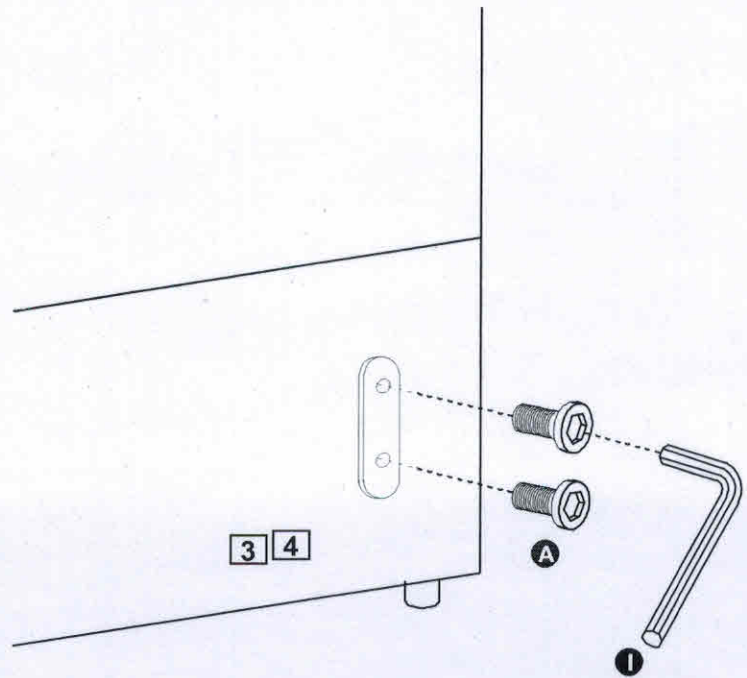
# Assembly Instructions

## Step 2

### Attaching side rails

**a:** Attach 2 bolts **A** to the headboard **3** and footboard **4** using the Allen key **1** provided.

**a:**



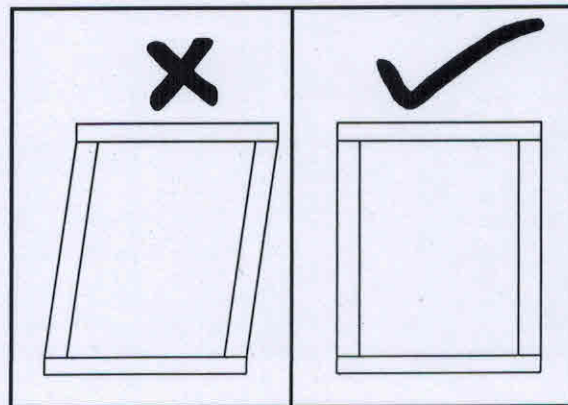
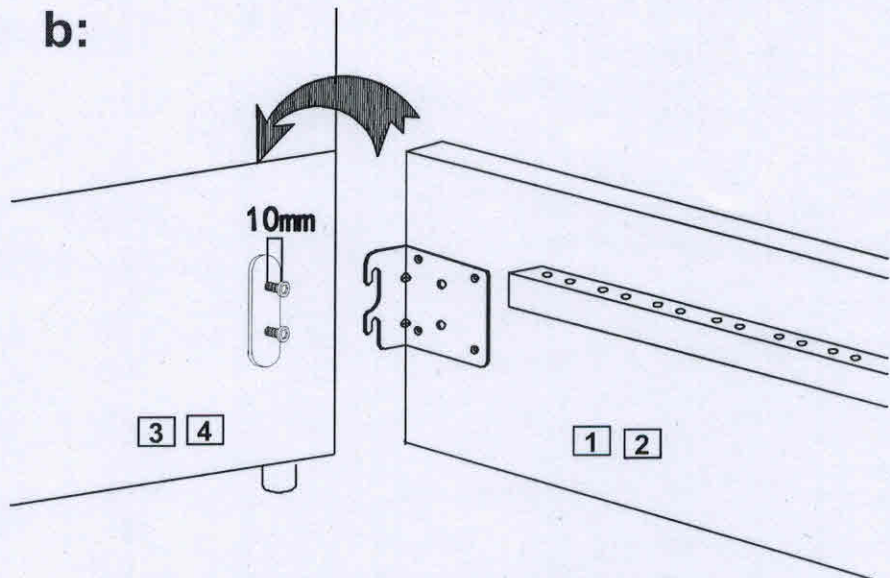
**b:** Position left side rail **2** adjacent to headboard **3** & **4** so that the holes in the headboard line up with the bracket on the side rail.

Secure in place by 2 bolts **A** using the Allen key provided.

Repeat **b** for right side rail **1**.

**Do not fully tighten at this stage.**

**b:**

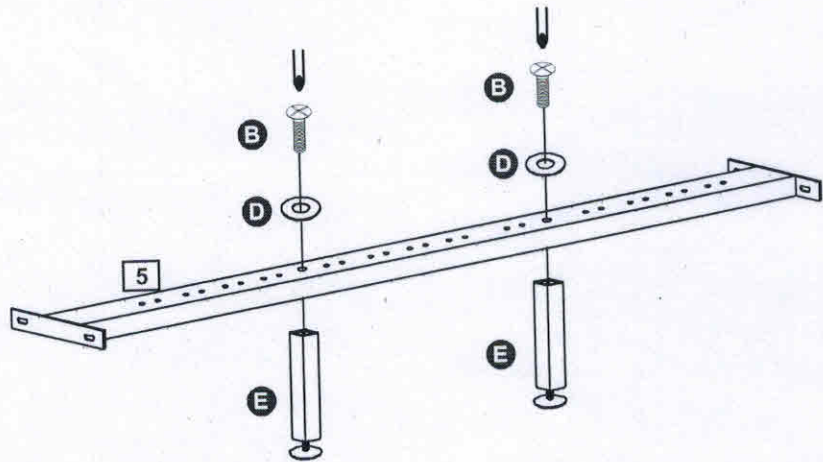


# Assembly Instructions

## Step 3

### Central support assembly

Insert the feet **E** into the holes on the central support rail **5** and secure using bolts **B** and washers **D**.

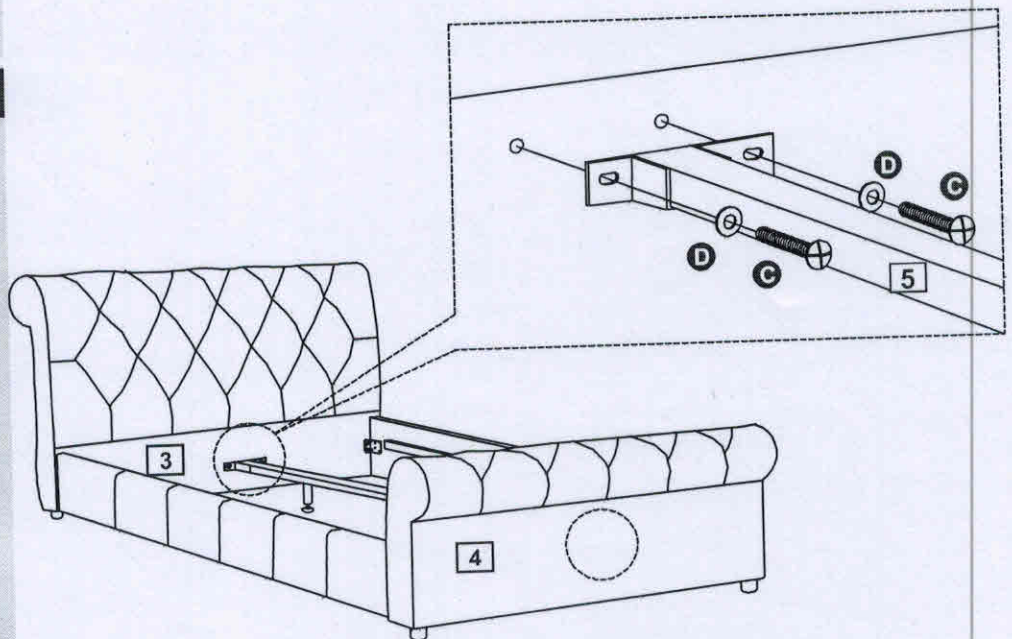


## Step 4

### Attach central support

Secure the central support rail **5** to the headboard **3** using bolt **C** and washers **D**.

Repeat at the footboard end.



## Warning

adjust the feet so that they are not in contact with the floor when the mattress is in place. There should be a 10mm (1/2 inch) gap.

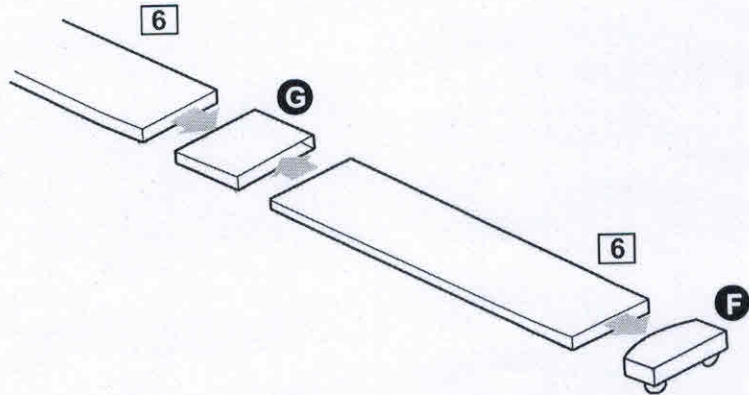
# Assembly Instructions

## Step 5

### Place slats

a: Slot the bed slats **6** into the end slat caps **F** and central slat caps **G** as shown.

a:

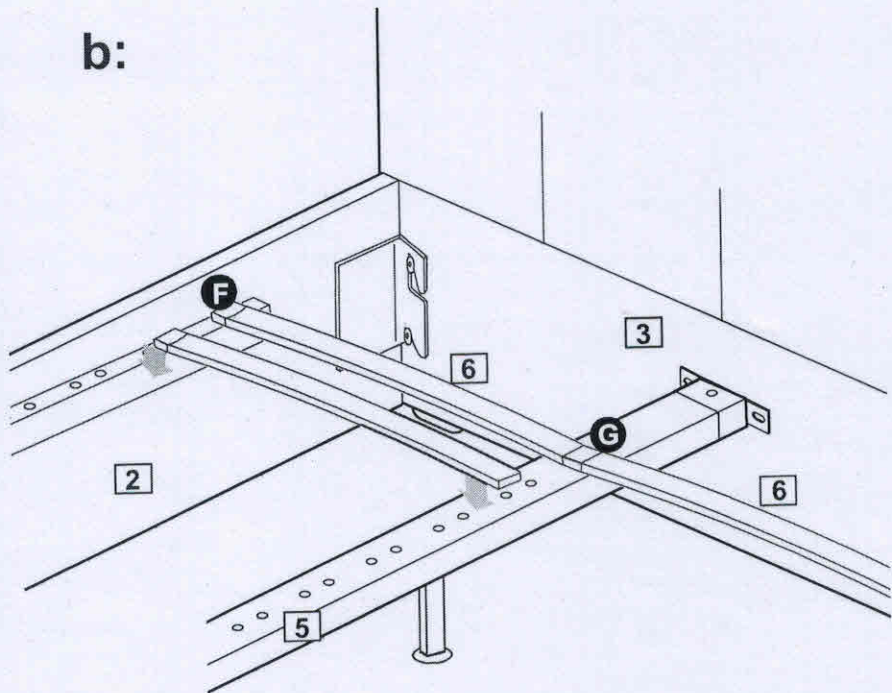


b: Attach the slats to the side rails **1** & **2** and central support rail **5** by firmly pushing into place.

After all the parts are positioned you can now fully tighten all bolts fixed on previous steps.

Assembly is complete.

b:



If you need help or have damaged or missing parts, call the **Customer Helpline:**  
**Argos = 0345 6400800**