

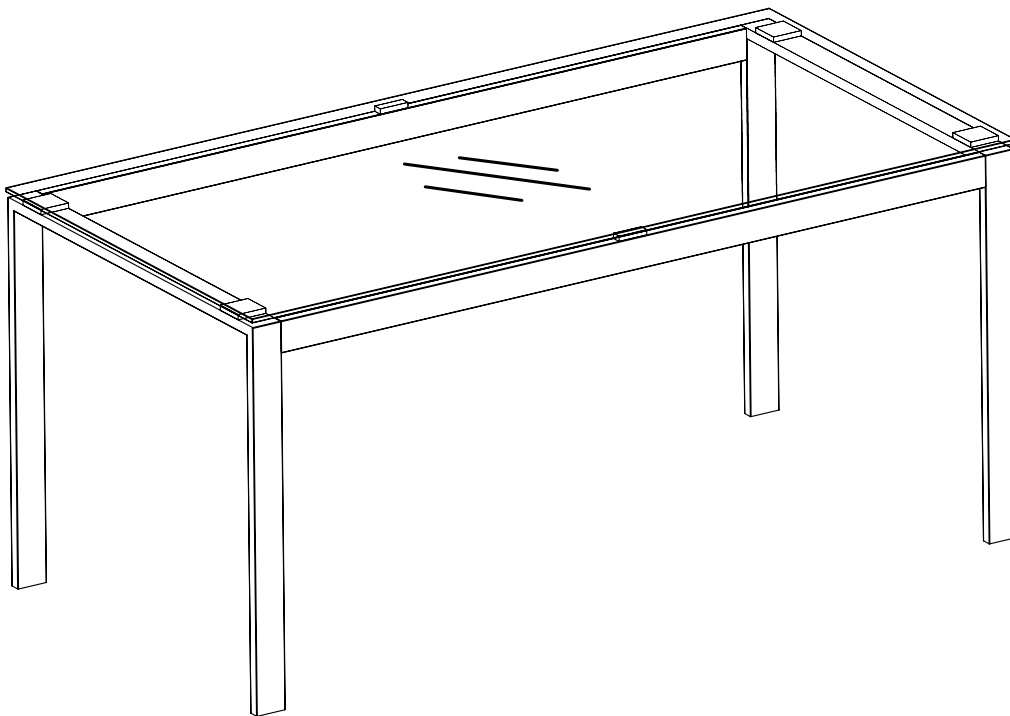
Metal & Glass Dining Table

Assembly Instructions - Please keep for future reference

424/6451

391/5288

341603



Dimensions

Width - 160cm

Depth - 80cm

Height - 75cm

Important - Please read these instructions fully before starting assembly

If you need help or have damaged or missing parts, call the **Customer Helpline**

Argos: 0345 640 0800 Homebase: 0345 077 8888



Safety and Care Advice

Important - Please read these instructions fully before starting assembly

- Check you have all the components and tools listed on page 2.
- Remove all fittings from the plastic bags and separate them into their groups.
- Keep children and animals away from the work area, small parts could choke if swallowed.
- Make sure you have enough space to layout the parts before starting.
- Do not stand or put excessive weight on the product, this could cause damage.
- Assemble the item as close to its final position (in the same room) as possible.
- Parts of the assembly will be easier with 2 people.
- Dispose of all packaging carefully and responsibly.
- Place the product on flat and steady surface during use.
- Assemble on a soft level surface to avoid damaging the unit or your floor.
- Keep these instructions for further use.
- To ensure an easier assembly, we strongly advise that all fittings are only finger tightened during initial assembly. Only upon completion of the assembly should all fixing points be fully tightened.

Glass safety

- Keep these instruction for future reference.
- Imported by:
Argos Ltd.
489-499 Avebury Boulevard.
Saxon Gate West.
Central Milton Keynes.
MK9 2NW
- If the glass is chipped or broken, stop using the product and consult the Manufacturer or Supplier.
- Batch No:
- Date of Manufacture:
- Type of glass used: 8mm toughened glass

Warnings

- (a) Do not place very hot or very cold items on the glass surface(s) unless adequately thick table mats are used to prevent such items from coming into contact with the glass.
- (b) Do not sit or stand upon the glass surface(s).
- (c) Do not use the glass as a chopping surface. Do not strike the glass with hard or pointed items.
- (d) When cleaning glass panels use a damp cloth or leather with washing up liquid or soft soap if necessary, do not use washing powders or any other substance containing abrasives since these substances scratch glass.

Care and maintenance

- Only clean using a damp cloth and mild detergent, do no use bleach or abrasive cleaners.
- From time to time check that there are no loose screws on this unit.
- This product should not be discarded with household waste. Take to your local authority waste disposal centre.

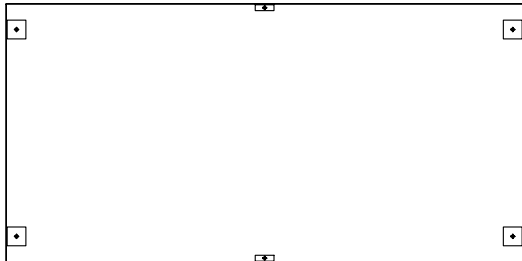
Handy hints

- Assemble all parts and bolts loosely during assembly, only once the product is complete should you fully tighten the bolts.
- Regularly check and ensure that all bolts and fittings are tightened properly.

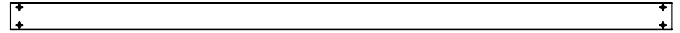
Components - Parts

If you have damaged or missing components, call the Customer Helpline
Argos: 0345 640 0800 Homebase: 0345 077 8888

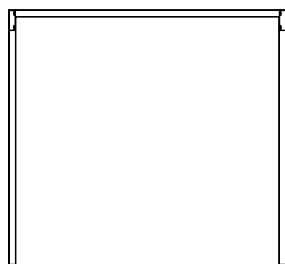
Please check you have all the parts listed below



1 Glass Top x 1 (160x0.8cm)



3 Cross Bar x 2 (147.5x6cm)

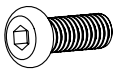
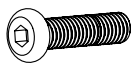
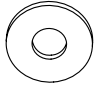




2 Leg x 2 (79.5x73cm)

Components - Fittings

Please check you have all the fittings listed below

Note: The quantities below are the correct amount to complete the assembly. In some cases more fittings may be supplied than are required.

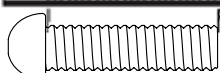
<p>A</p>  <p>15mm bolt x 8</p>	<p>B</p>  <p>25mm bolt x 4</p>	<p>C</p>  <p>Washer x 12</p>
<p>D</p>  <p>Allen Key x 1</p>	<p>E</p>  <p>Washer x 8</p>	

Tools required

 Tape measure

Ruler - Use this ruler to help correctly identify the screws



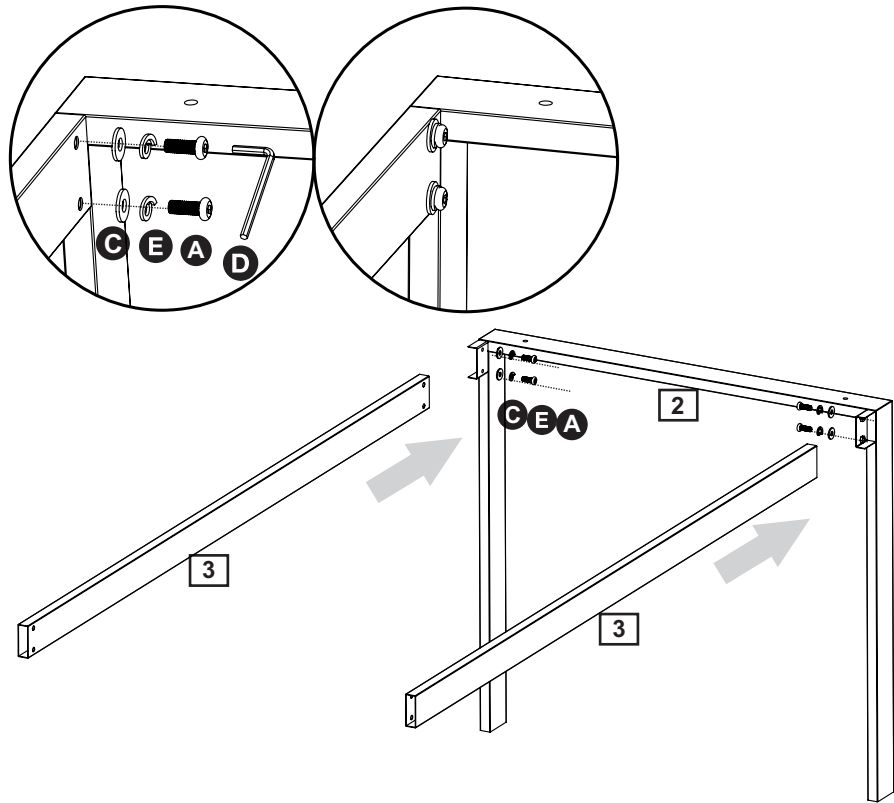
 The screws length is measured from the bottom of head to the point (25mm screw shown).

Assembly Instructions

Step 1

Fitting the frame

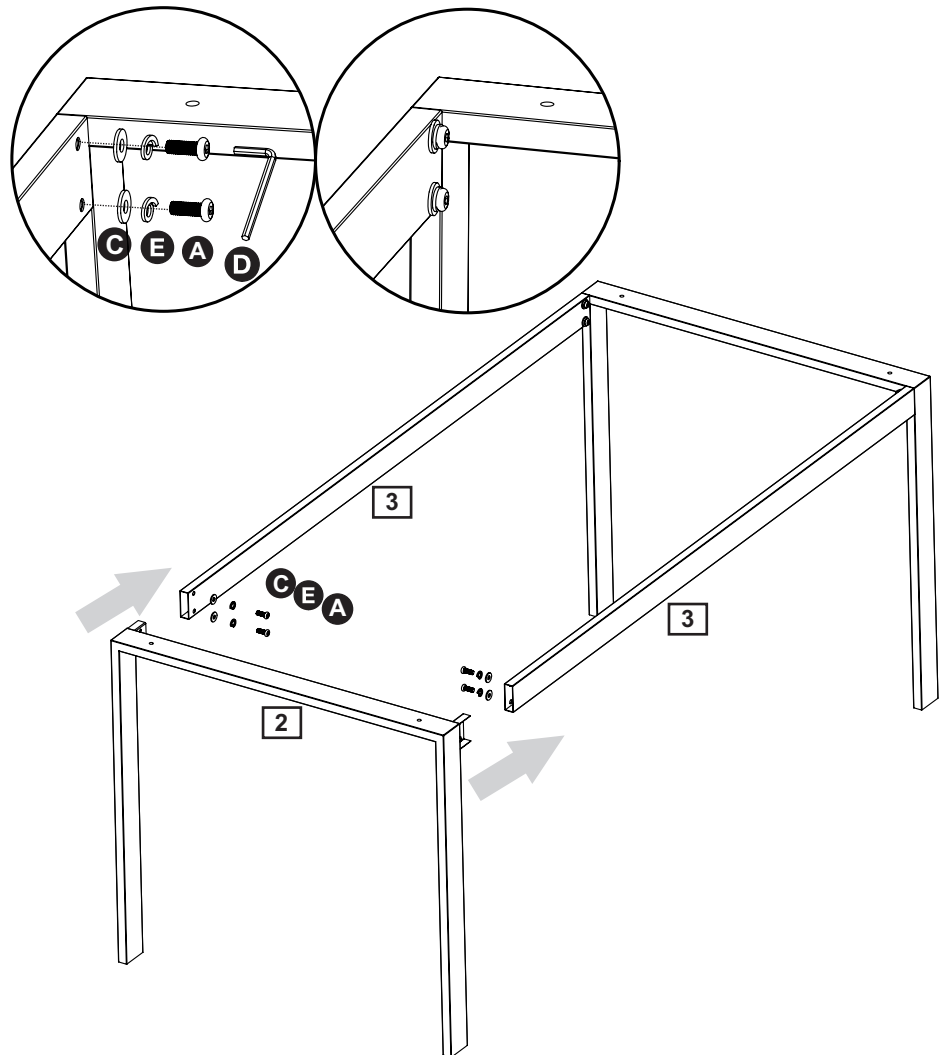
Attach Leg **2** onto Cross Bar **3** and tighten 4 Bolt **A** & 4 Washer **C** & **E** use Allen Key **D**



Step 2

Fitting the frame

Attach Leg **2** onto Cross Bar **3** and tighten 4 Bolt **A** & 4 Washer **C** & **E** use Allen Key **D**



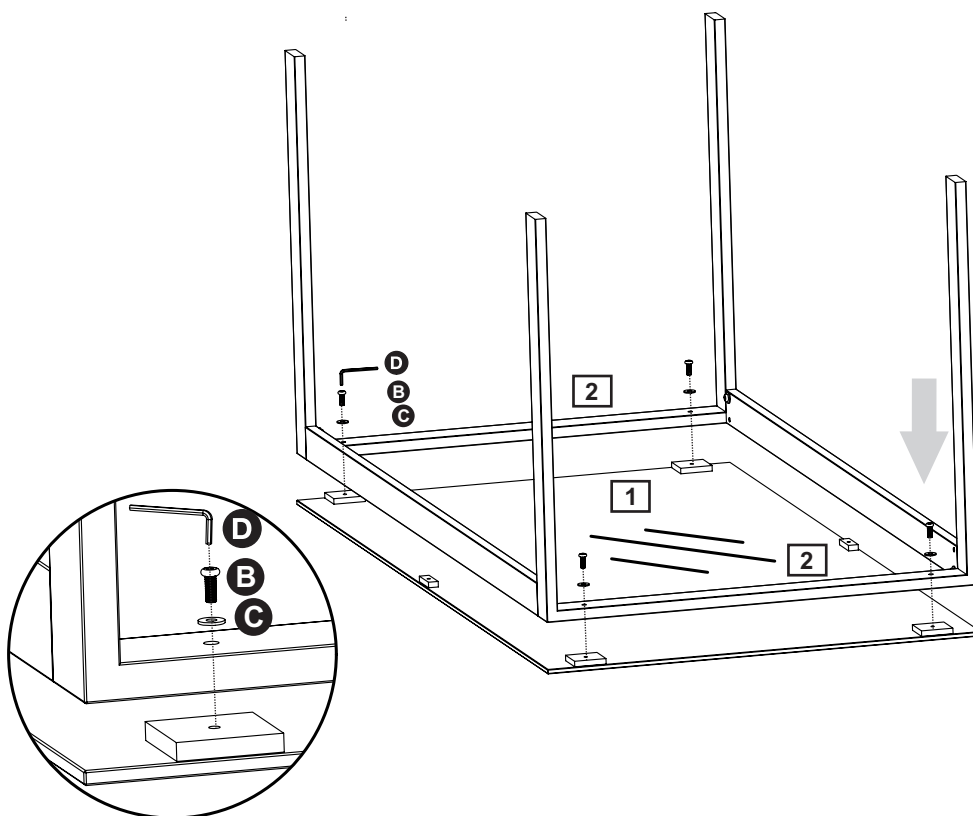
Assembly Instructions

Step 3

Fitting glass top

Put frame onto Glass Top

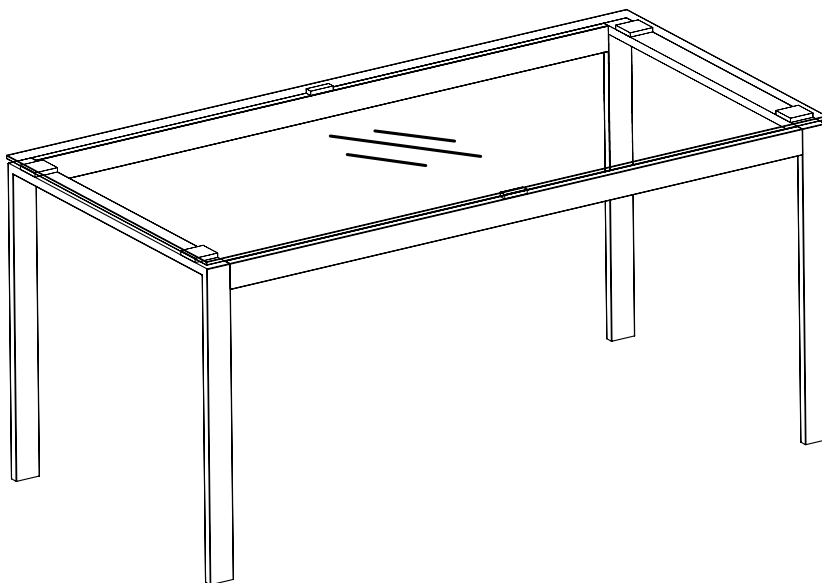
1 and Tighten 4 Bolt **B**
& 4 Washer **C** use Allen Key **D**



Step 4

With help, carefully
turn the unit upright and
place to desired location.

Assembly is complete.



If you need help or have damaged or missing parts, call the Customer Helpline

Argos: 0345 640 0800

Homebase: 0345 077 8888