

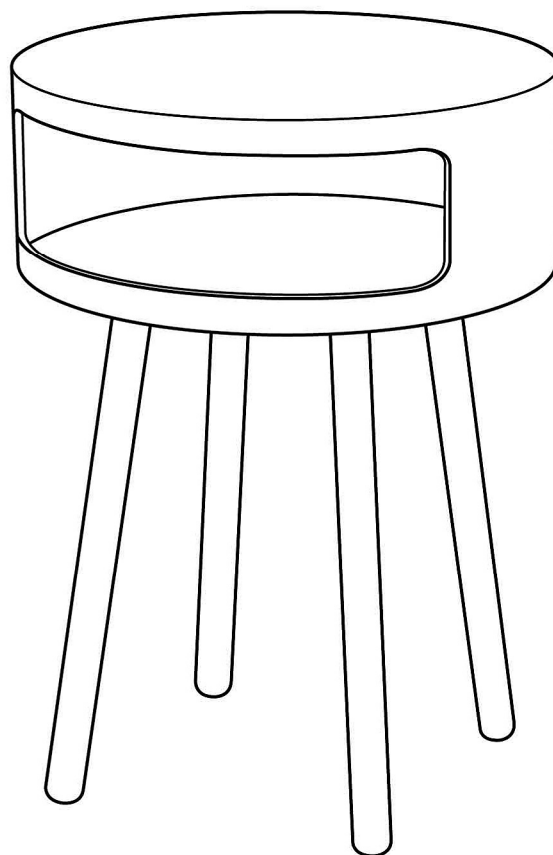
# BUMBLE. SIDE TABLE

**Assembly Instructions - Please keep for future reference**

120919.120920  
BUMB-ST-AW14-A

Dimensions

Width – 40 cm  
Depth – 40 cm  
Height – 56cm



**Important – Please read these instructions before assembly**

If you need help or have damaged or missing parts, email:  
[customerservices@habitat.co.uk](mailto:customerservices@habitat.co.uk) or call: 0844 499 4686

habitat 

# Safety and Care Advice

**Important** – Please read these instructions fully before starting assembly

DO NOT TIGHTEN UNTIL ALL PARTS ARE IN POSITION.

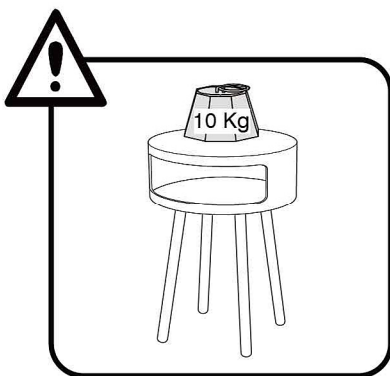
Plan to assemble the furniture as near as possible to the place you intend it to be used.  
Do not place your furniture directly in front of radiators, fires, or any source of direct heat.  
Ensure that the surface on which you are assembling furniture is clean and flat.  
Before commencing assembly, please identify all components.  
Do not discard the packaging until the unit is fully assembled to ensure that no fittings or components are disposed of.

Cleaning of Solid Timber / Veneers and Lacquered Surfaces.

Any spillage should be removed immediately by using a damp cloth, then wiping dry the surface with a clean dry duster.

Repeat this procedure for periodic cleaning.

The use of furniture polishes or sprays is not necessary or recommended.



## General information

If for any reason you should have problems with your Habitat product, please contact the store from which you purchased it.

Please retain your receipt as proof of purchase.

If you have any comments or suggestions regarding this product, assembly instructions or service

received, please contact the store or Habitat Head Office via its web site: [www.habitat.co.uk](http://www.habitat.co.uk)

or write directly to: Habitat Retail Ltd.  
489-499 Avebury Boulevard,  
Milton Keynes MK9 2NW

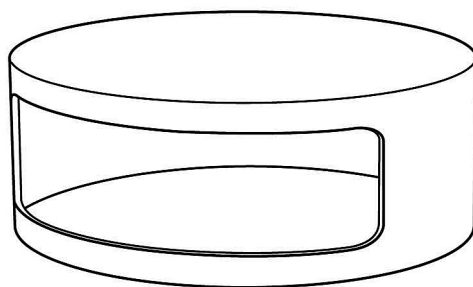
# Components - Panels

If you need help or have damaged or missing parts, email: [customerservices@habitat.co.uk](mailto:customerservices@habitat.co.uk) or call: 0844 499 4686

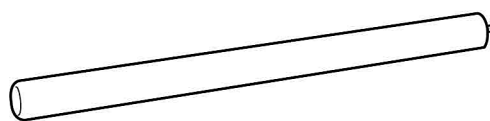
Please check you have all the panels listed below



**Note:** There are 'Batch Code' labels where shown on the indicated items, these should be retained.



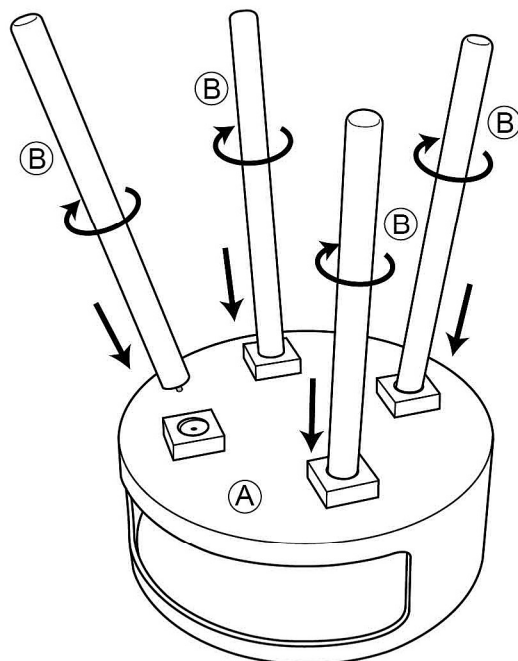
(A) 1PC



(B) 4PCS

# Assembly Instructions

## Step 1



## Step 2

