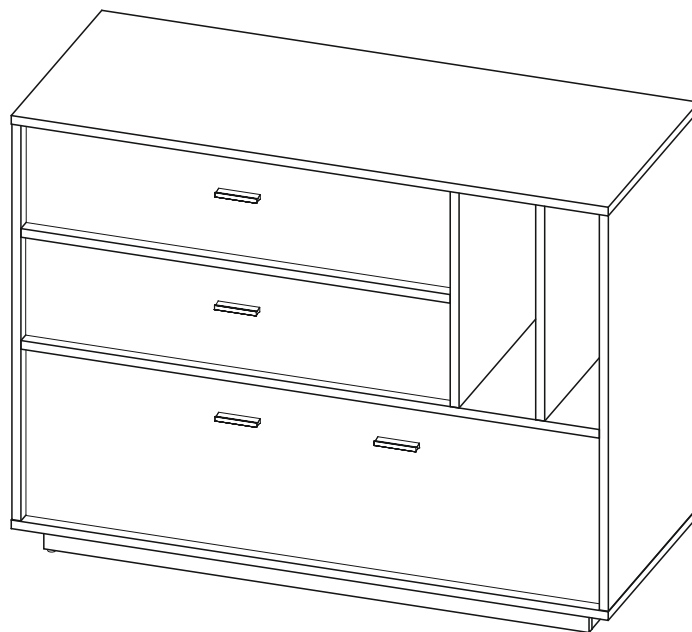


Darcy - 1 Door 2 Drawers Sideboard

Assembly Instructions - Please keep for future reference

424/5366



Dimensions

Width - 120 cm

Depth - 50 cm

Height - 91.6 cm

Important - Please read these instructions fully before starting assembly

If you need help or have damaged or missing parts, call the **Customer Helpline: 0845 6400 800**



Safety and Care Advice

Important - Please read these instructions fully before starting assembly

- Check you have all the components and tools listed on pages 3 and 4.

- Remove all fittings from the plastic bags and separate them into their groups.

- Keep children and animals away from the work area, small parts could choke if swallowed.

- Make sure you have enough space to layout the parts before starting.

- Do not stand or put weight on the panels during assembly, this could cause damage.

- Assemble the unit as close to its final position (in the same room) as possible.

- Assemble on a soft level surface to avoid damaging the unit or your floor.

- Parts of the assembly will be easier with 2 people.

- If using power tools, please follow the safety instructions supplied with the tools.



- We do not recommend the use of power drill/ drivers for inserting screws, as this could damage the unit. Only use hand screwdrivers.

- Dispose of all packaging carefully and responsibly.

- **Warning:** The unit weighs approximately 57 kgs. **Please lift with care.**

Care and maintenance

- Only clean using a damp cloth and mild detergent, do not use bleach or abrasive cleaners.

- From time to time check that there are no loose screws on this unit.

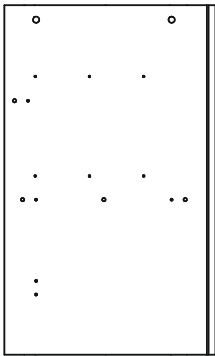
- This product should not be discarded with household waste. Take to your local authority waste disposal centre.

Note: if required the next page can be cut out and used as reference throughout the assembly. Keep this page with these instructions for future reference.

Component - Panels

If you have damaged or missing components
call the **Customer Helpline: 0845 6400 800**

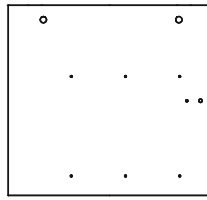
Please check you have all the panels listed below



1 Left side
(82.5 x 49.8cm)



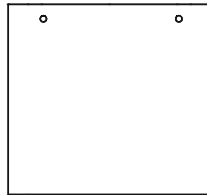
2 Right side
(82.5 x 49.8cm)



5 Vertical partition top
(44.9 x 47.8cm)



16 Rear top (117.6 x 46.5cm)



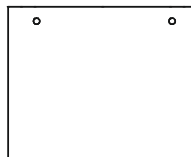
6 Vertical partition right
(44.9 x 47.8cm)



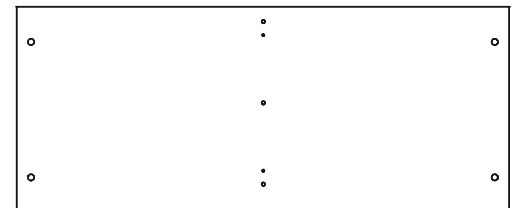
17 Rear bottom (117.6 x 37.3cm)



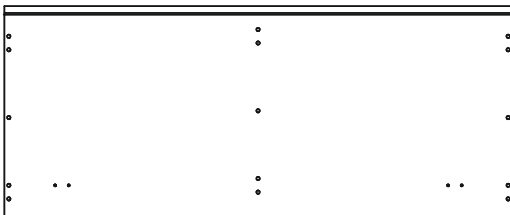
3 Top
(120 x 50.0cm)



7 Vertical partition bottom
(35.8 x 44.2cm)



8 Horizontal partition
(116.3 x 47.8cm)



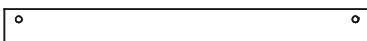
4 Bottom
(120 x 50cm)



11 Drawer front x 2
(85.7 x 20.6cm)



12 Drawer back x 2
(80.7 x 12cm)



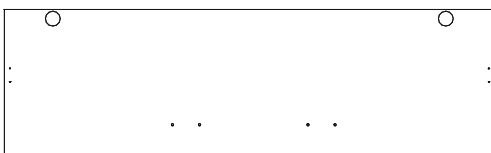
9 Front support
(86.3 x 8cm)



13 Drawer left side x 2
(40 x 12cm)



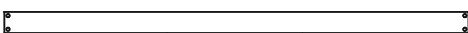
14 Drawer right side x 2
(40 x 12cm)



10 Flap
(115.7 x 35.2cm)



15 Drawer base x 2
(83.8 x 40.5cm)



18 Long plinth x 2
(109.6 x 5cm)

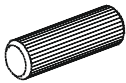
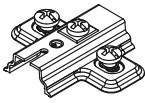




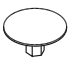



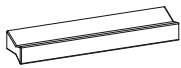
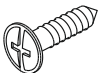
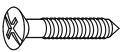
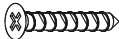



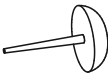
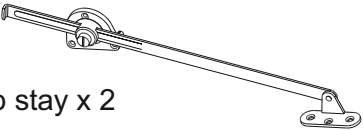
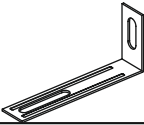



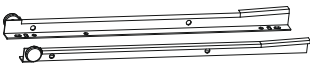
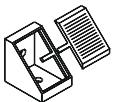
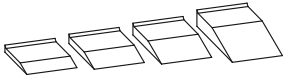
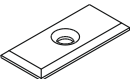


19 Short plinth x 2
(39.4 x 5cm)

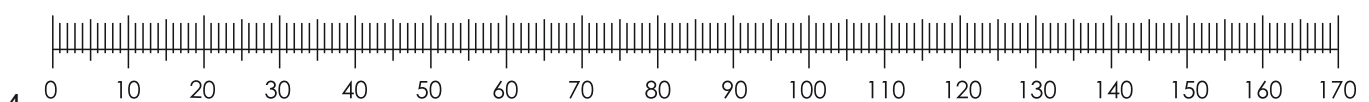


Components - Fittings

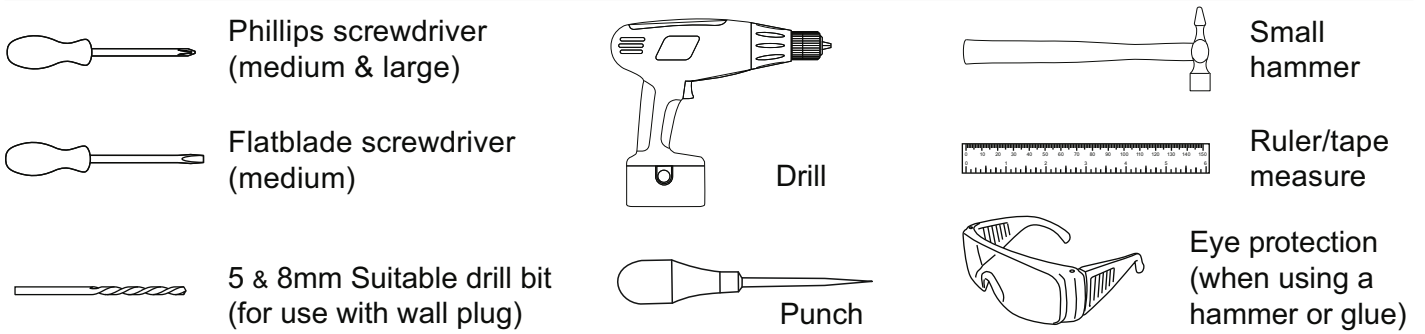
Please check you have all the fittings listed below

A  Wooden dowel x 70 (8x35)	B  Hinge plate x 2	C  Door hinge x 2
D  4x13mm Screw x 4	E  5x13mm Screw x 12	F  (15x13) Locking nut x20
G  Cap x 20	H  Metal dowel x 20	I  (7x50) Hexagon bolt x 14
J  Cap bolt x 14	K  Handle x4	L  4x16mm Screw x 2
M  3.5x27mm Screw x 8	N  3x20mm Screw x 12	O  Allen key x 1
P  3x16mm Screw x 31	Q  3,5x16mm Screw x 18	R  Feet x 4
S  Flap stay x 2	T  Wall bracket x 2	U  Stabilizer x 14
V  Bumper x 1	W  Runner x 2	X  Runner x 2
Y  Mounting bracket x 6	Z  Height adjuster x 1	U1  Washer x 5

Ruler - Use this ruler to help correctly identify the screws



Tools required



Assembly Instructions

Step 1

a: Inserting dowels and locking nuts

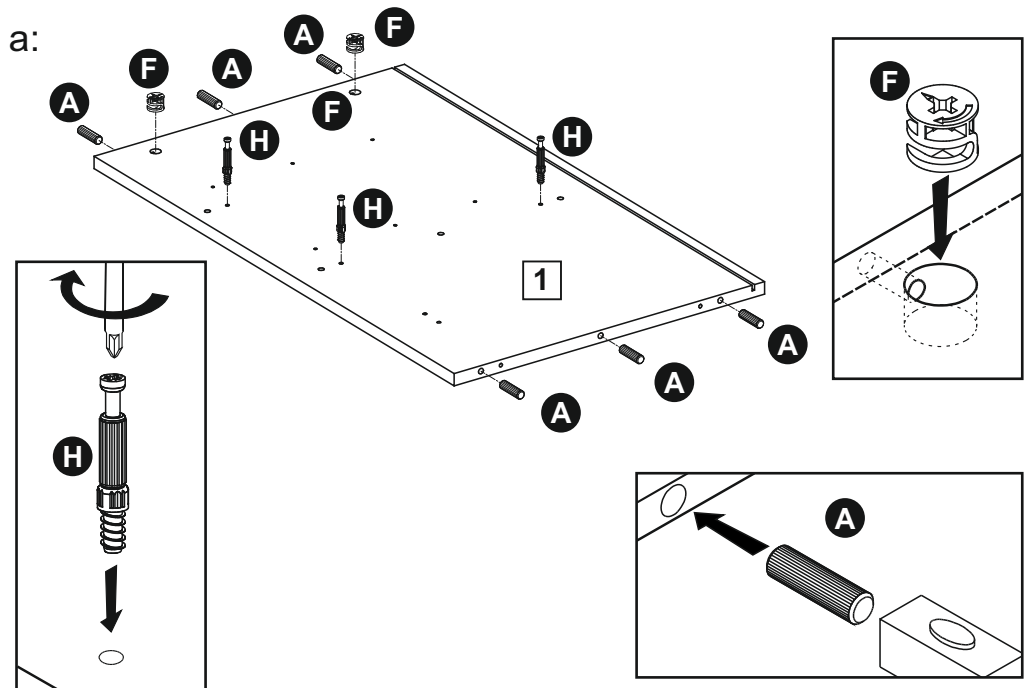
Insert locking nuts **F** into the left side panel **1**.

Insert wooden dowels **A** into the left side panel **1**.

Screw metal dowels **H**.



WARNING!
Please wear goggles or protective eyewear whilst hammering dowels in place.

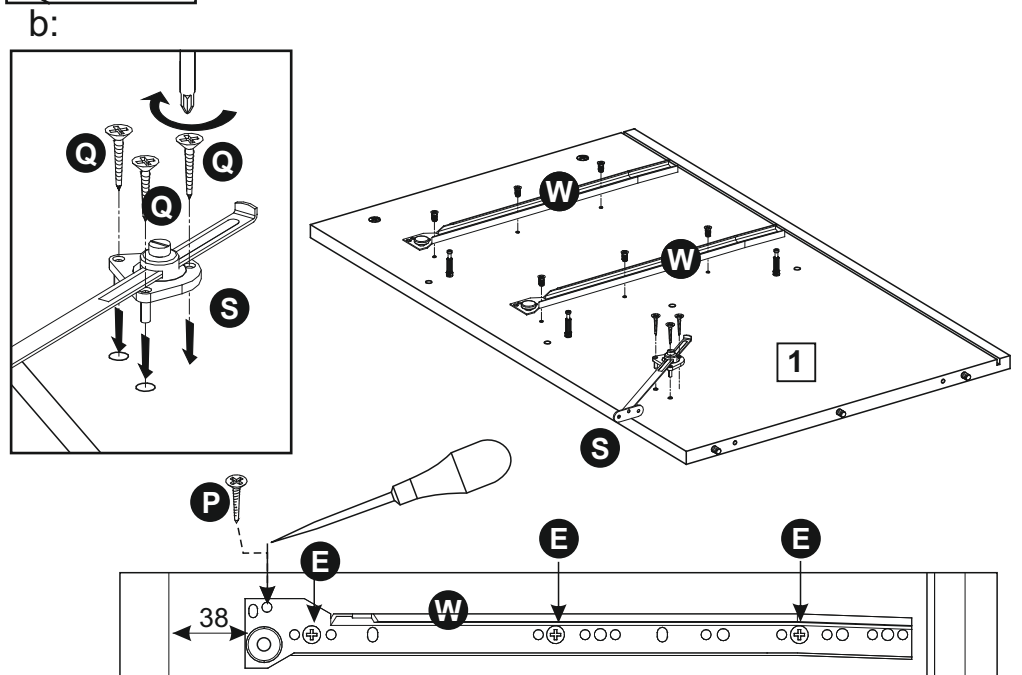


b: fixing runners **W**

Position runners 38mm from front edge of the left side panel **1**.

Fix runners with screws **E**. Mark the top left with a punch. Screw **P** into the hole.

Attach flap stay **S** using screws **Q**.



Assembly Instructions

Step 2

a: Inserting dowels and locking nuts

Insert locking nuts **F** into the right side panel **2**.

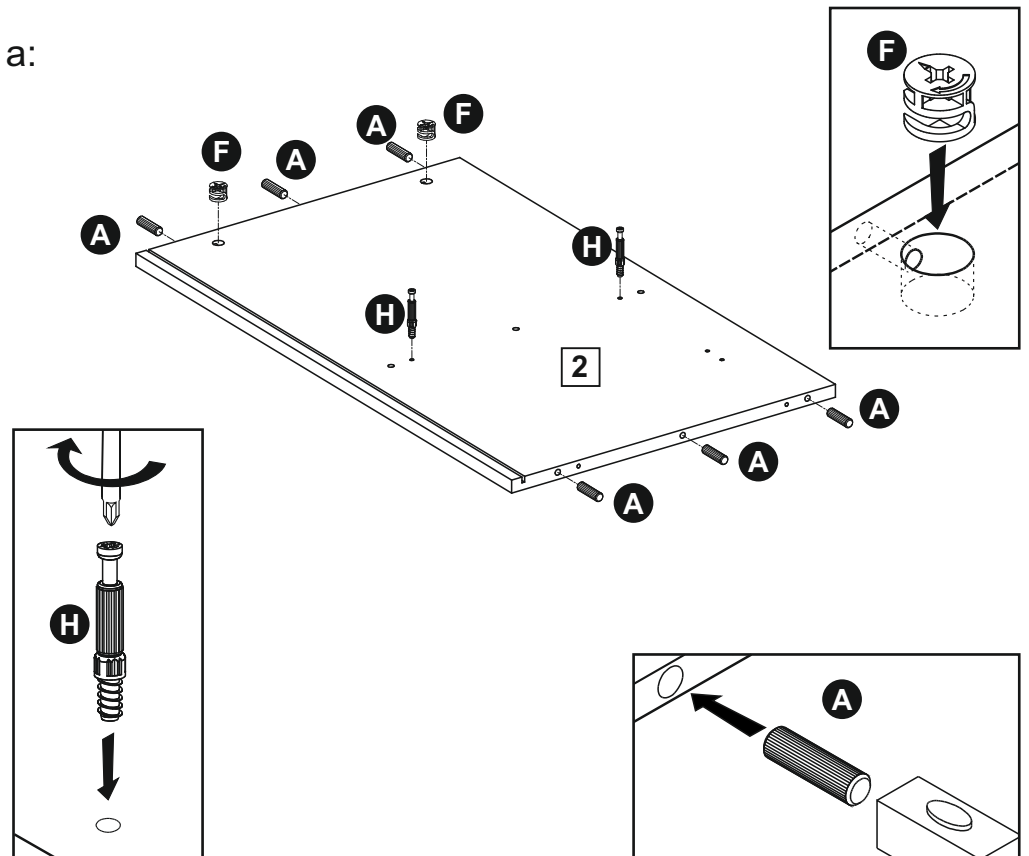
Insert wooden dowels **A** into the right side panel **2**.

Screw metal dowels **H**.



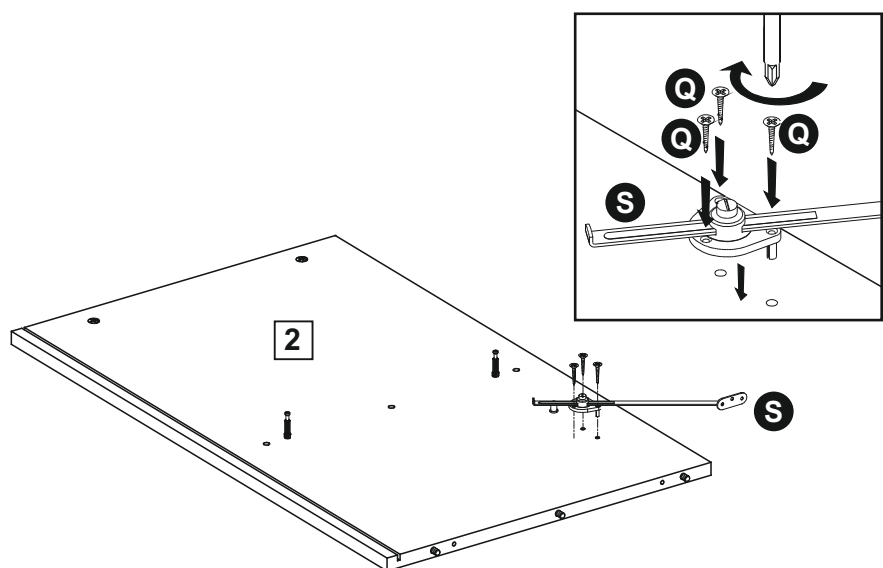
WARNING!
Please wear goggles or protective eyewear whilst hammering dowels in place.

a:



b:

b
Attach flap stay **S** using screws **Q**.



Assembly Instructions

Step 3

a: Inserting dowels and locking nuts

Insert locking nuts **F** into the vertical partitions

5 **6** **7**

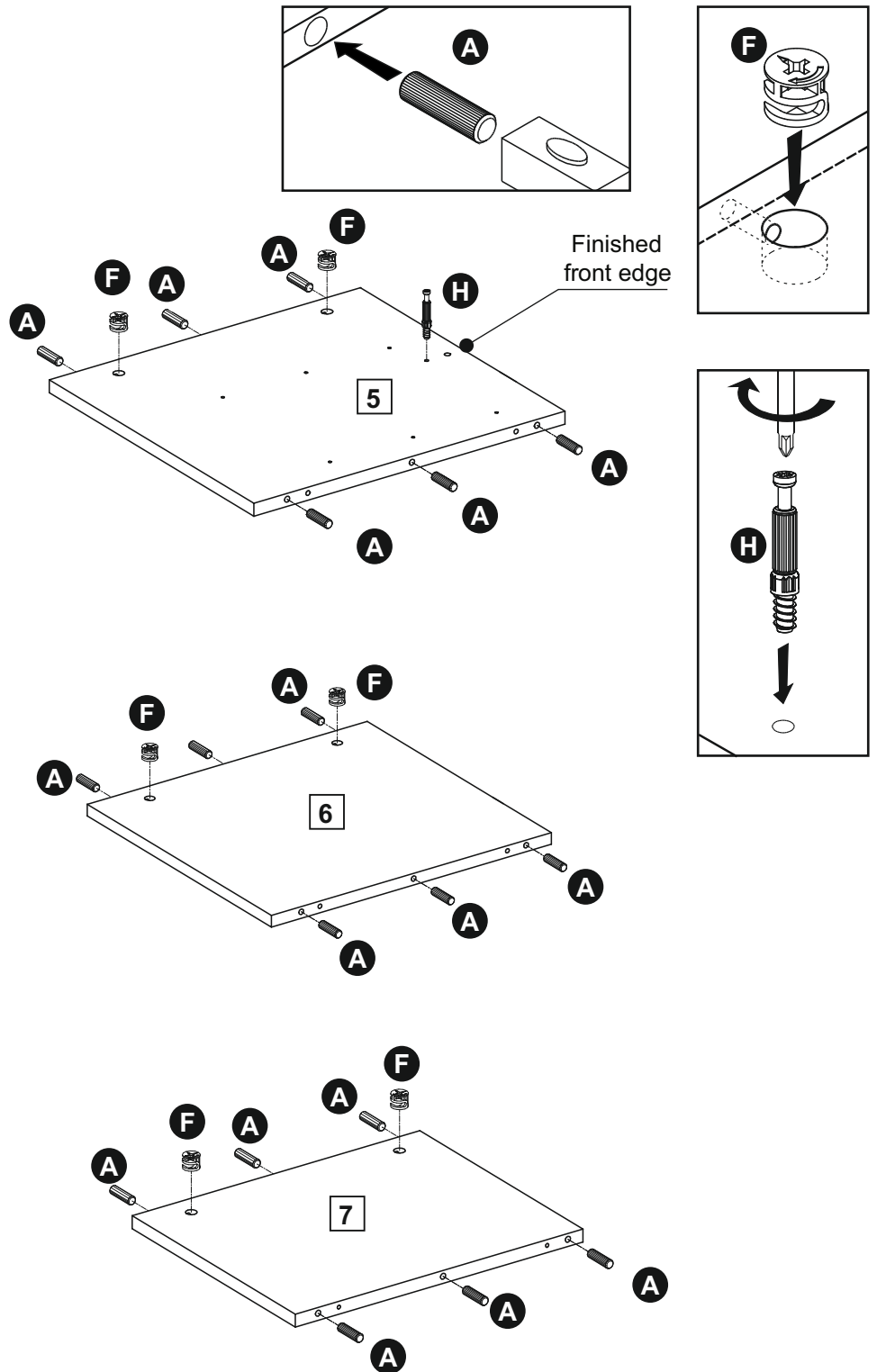
Insert wooden dowels **A** into the vertical partitions

5 **6** **7**

Screw metal dowels **H**.



WARNING!
Please wear goggles or protective eyewear whilst hammering dowels in place.



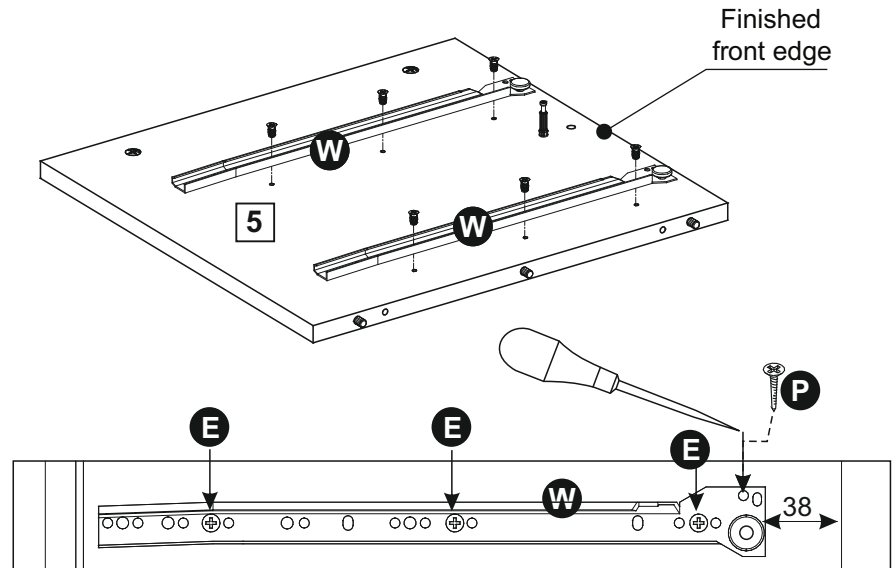
Assembly Instructions

Step 4

Fixing runners **W**

Position runners 40mm from front edge of the vertical partition top **5**.

Fix runners with screws **E**. Mark the top right with a punch. Screw **P** into the hole.

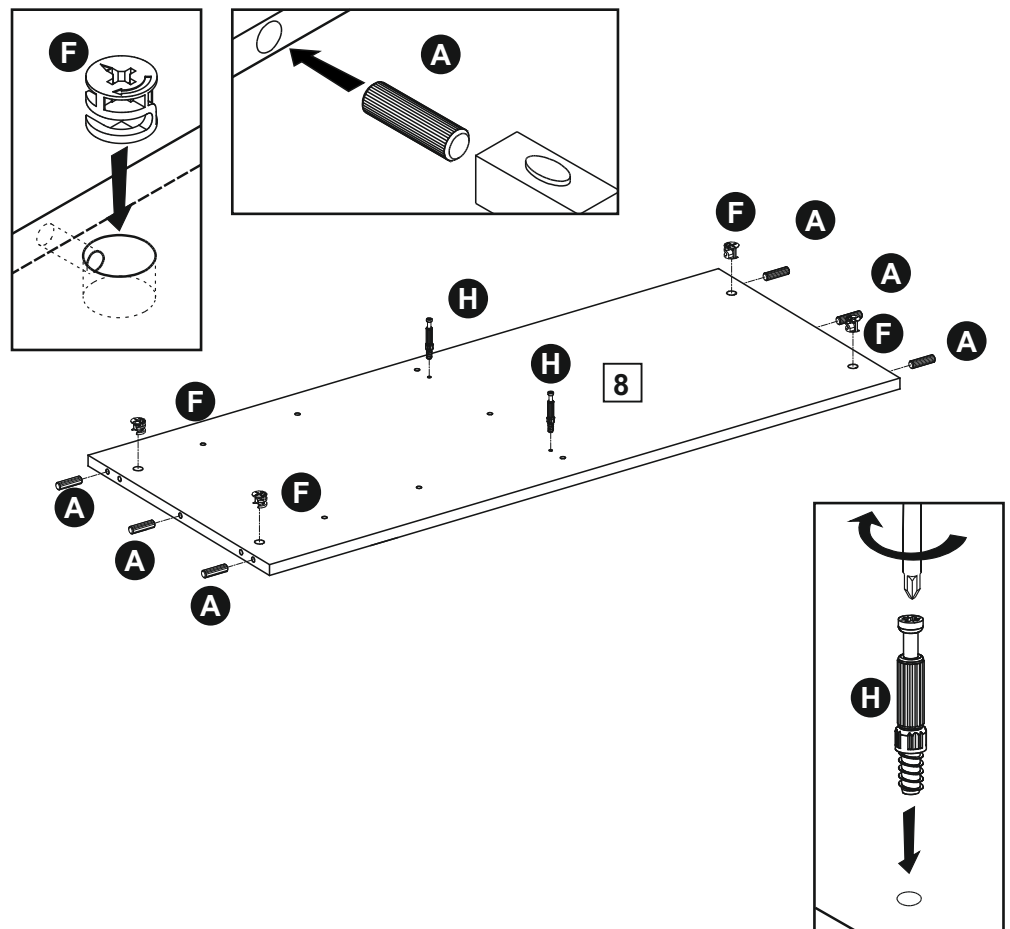


Step 5

Insert locking nuts **F** into the horizontal partition **8**.

Insert wooden dowels **A** into the horizontal partition **8**.

Screw metal dowels **H**.



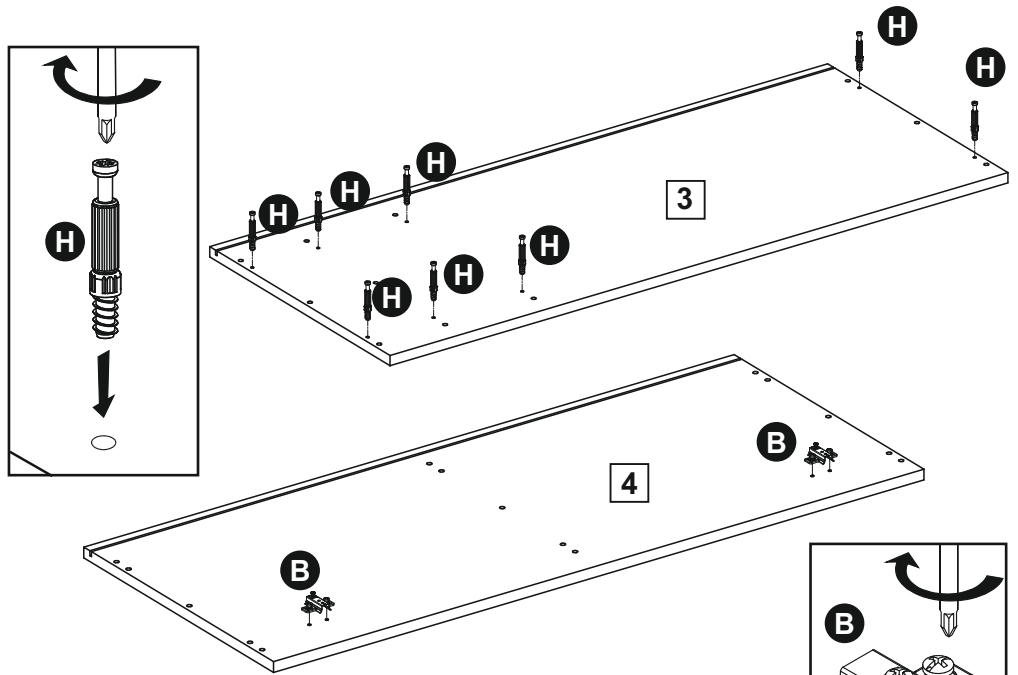
Assembly Instructions

Step 6

a: Inserting dowels and locking nuts

Screw metal dowels **H** into the top **3**.

Attach "hinge plates" **B** into the bottom **4**.



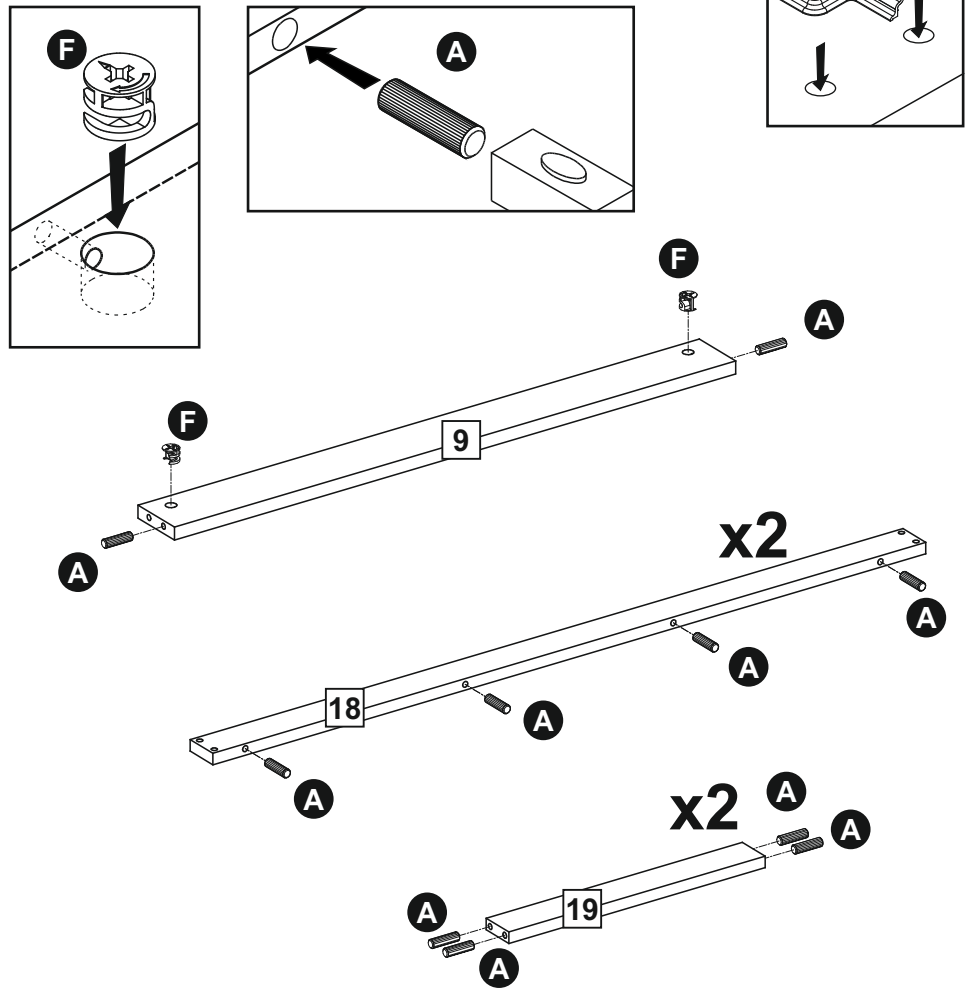
Step 7

Insert locking nuts **F** into the front support **9**.

Insert wooden dowels **A** into the front support **9**.

Insert wooden dowels **A** into the long plinth **18**.

Repeat with the short plinth **19**.



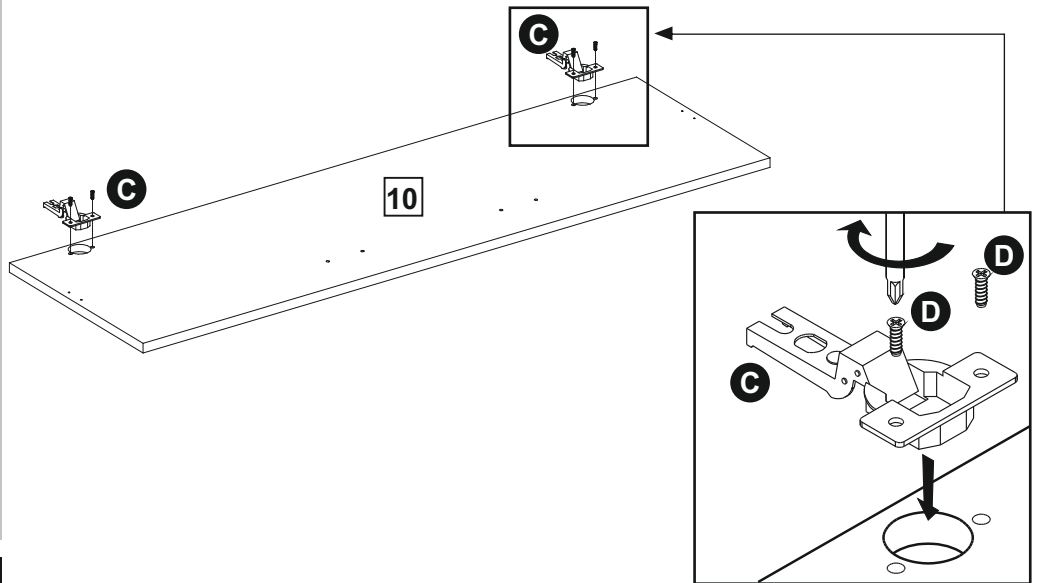
WARNING!
Please wear goggles or protective eyewear whilst hammering dowels in place.

Assembly Instructions

Step 8

Fitting hinges to doors

Fix 2 hinges **C** to the flap **10** using screws **D**.



Step 9

a: Attaching plinth

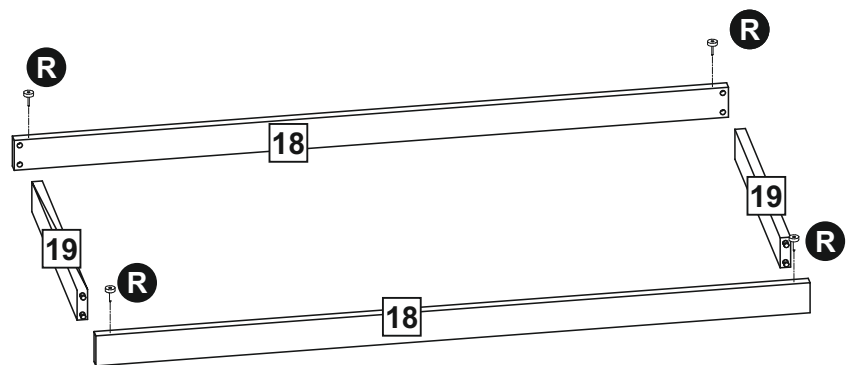
Attach feet **R** to the long plinth **18**.

Attach the long plinth **18** to the short plinth **19**.

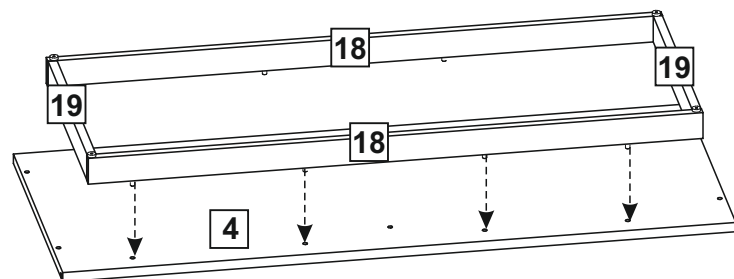


WARNING!
Please wear goggles or protective eyewear whilst hammering sliders in place.

a:



b:

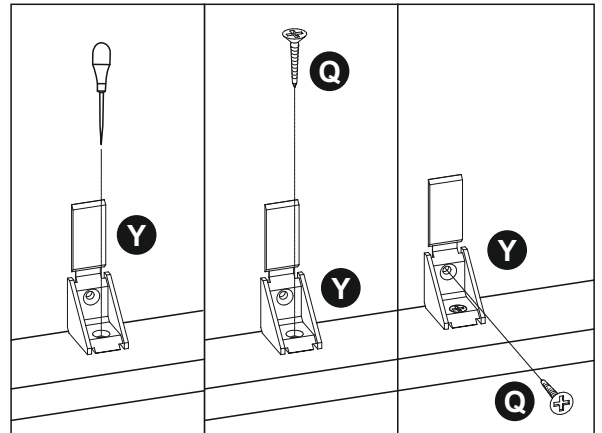
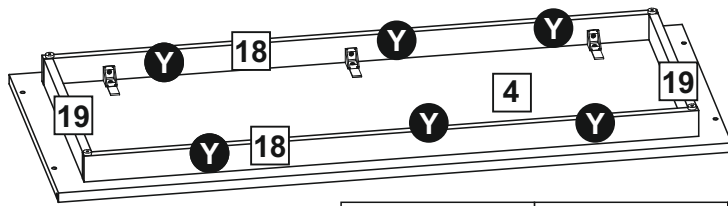


Assembly Instructions

Step 10

Mounting bracket

Place mounting bracket **Y** onto the assembly as shown. Mark holes with a punch and fix the bracket with screws **Q**.



Step 11

Attaching partitions

Attach vertical partition bottom **7**

to the horizontal partition **8**.

Use the allen key **O** to turn locking nuts **F** clockwise to lock.

Use the allen key **O** to turn locking nuts **F** clockwise to lock.

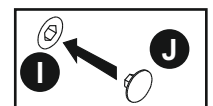
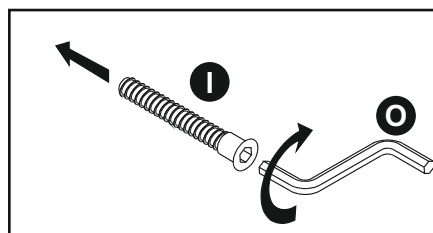
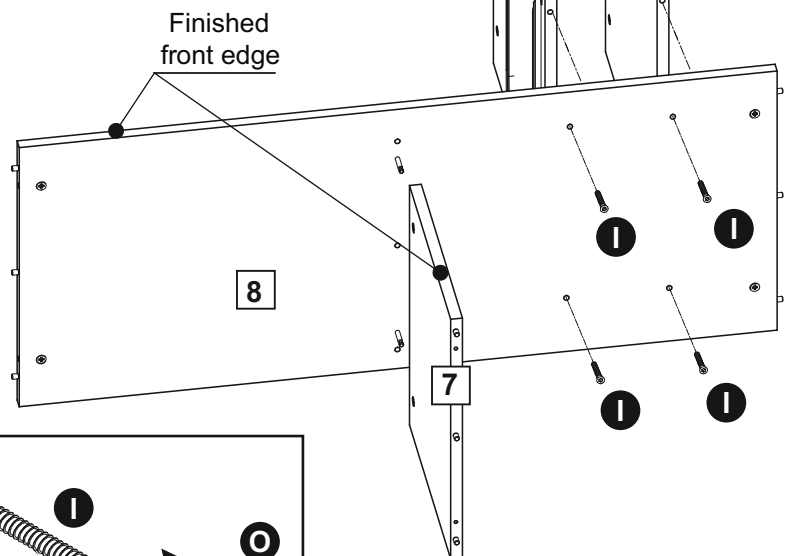
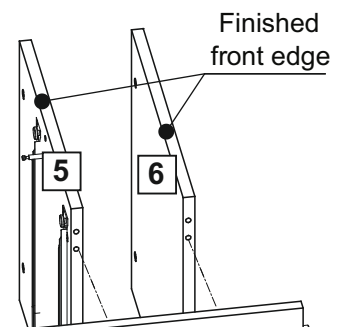
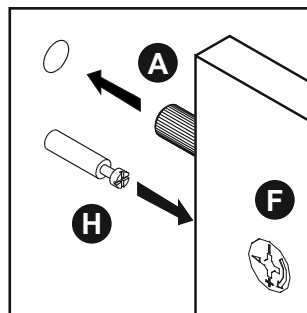
Attach vertical partitions

5 **6**

to the horizontal partition **8** using hexagon bolt **I**

& allen key **O**.

Cover bolts with caps **J**.



Assembly Instructions

Step 12

Attaching panels

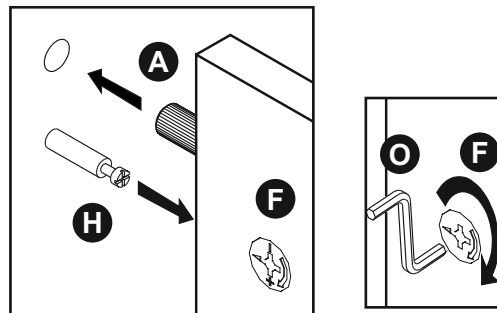
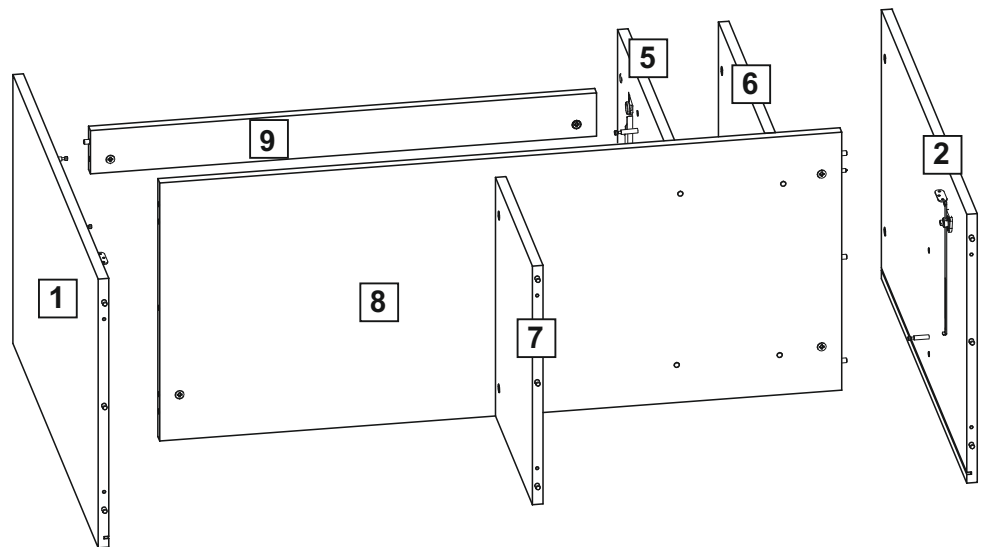
Attach left side panel **1**
to the front support **9**

& horizontal partition **8**

Attach right side panel **2**
to the horizontal partition **8**.

Fix front support **9**
to the vertical partition
top **5**.

Use the allen key **O** to
turn locking nuts
clockwise to lock. **F**



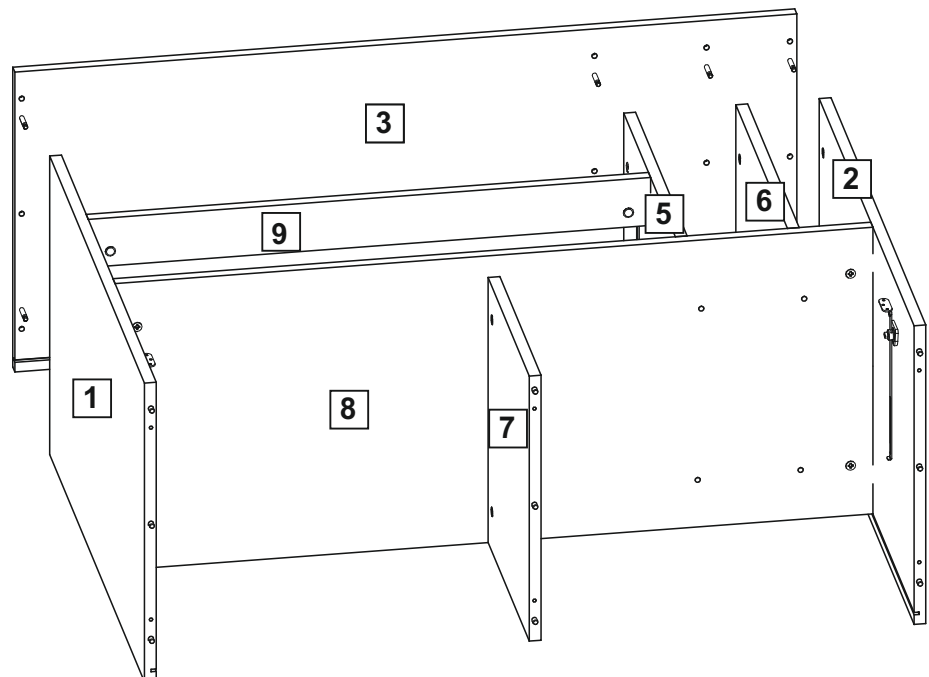
Step 13

Attaching top

Attach top **3** to the
sides **1** **2**

& vertical partitions **5** **6**

Use the allen key **O** to
turn locking nuts
clockwise to lock. **F**



Assembly Instructions

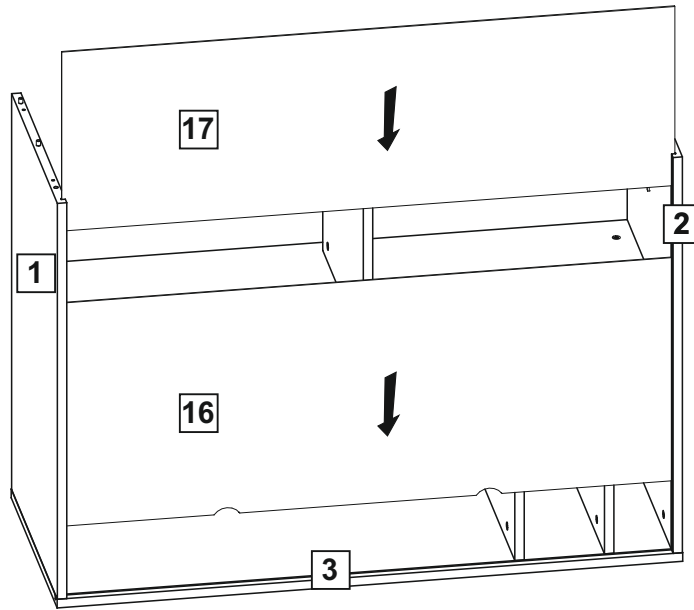
Step 14

Inserting back

Slide back panels **16**, **17**

into the grooves of
sides **1**, **2**

and top **3**.



Step 15

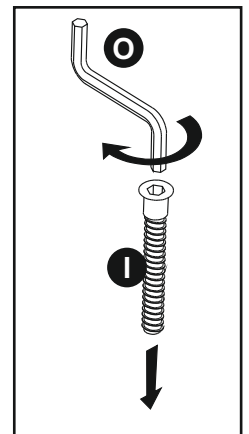
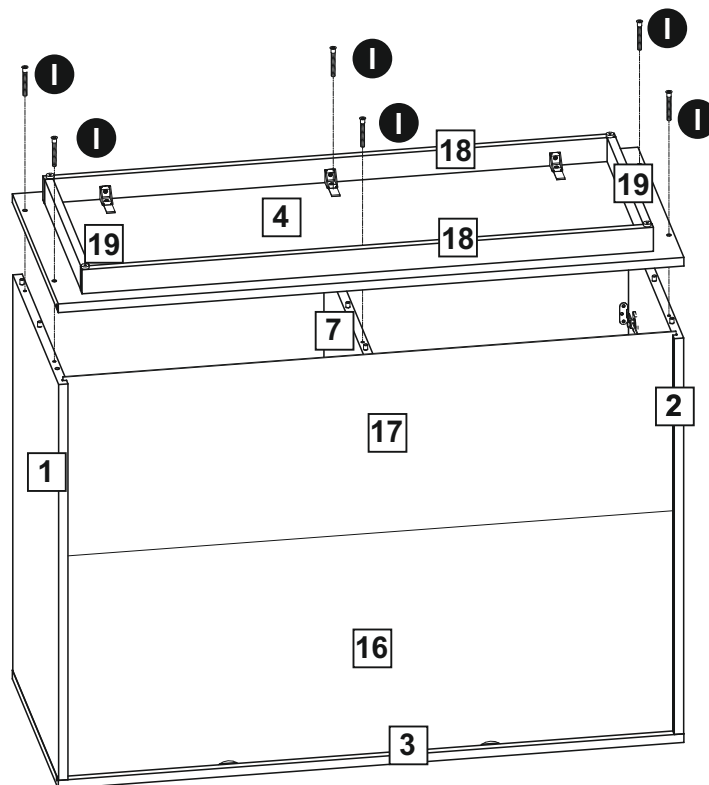
Attaching bottom

Attach bottom **4** to the sides
& vertical partition bottom **7**

using hexagon bolt **I**

& allen key **O**.

Cover bolts with caps **J**.



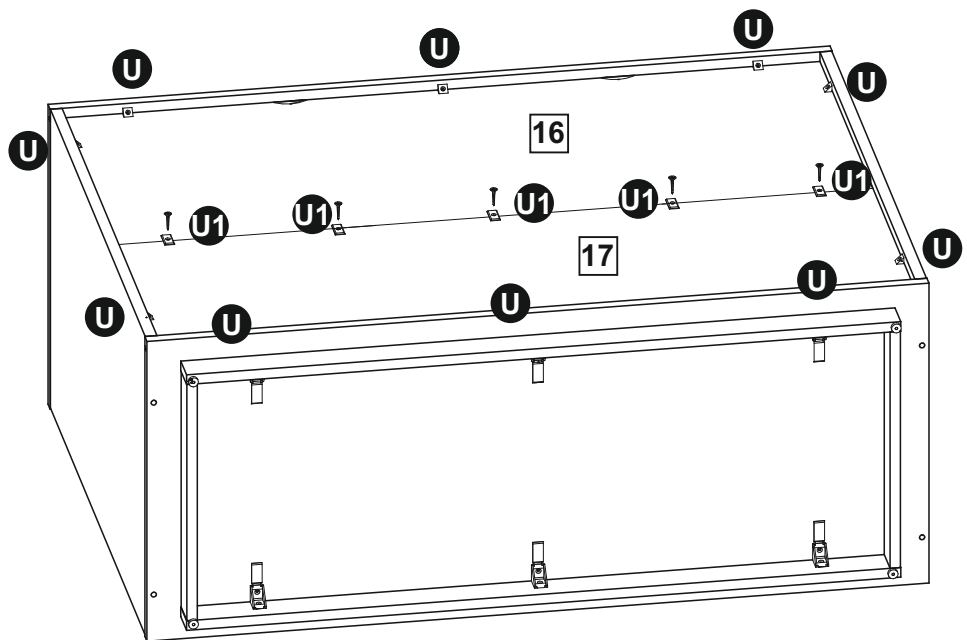
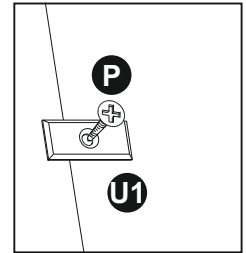
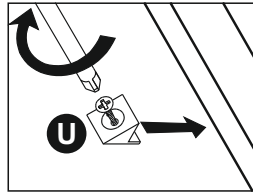
Assembly Instructions

Step 16

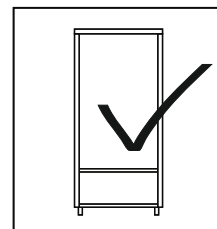
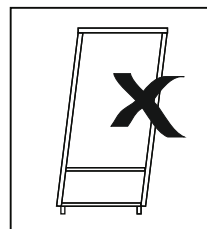
Fixing rear panels

Fix rear panel to back of chest using stabilizer **U**.

Attach washers **U1** using screw **P**.



IMPORTANT!
Cabinet **MUST** be "square" when back is attached.



Assembly Instructions

Step 17

Fixing to wall

It is recommended that the sideboard is fixed to a wall.

With help, move sideboard into position. Mark fixing hole on wall and remove sideboard.

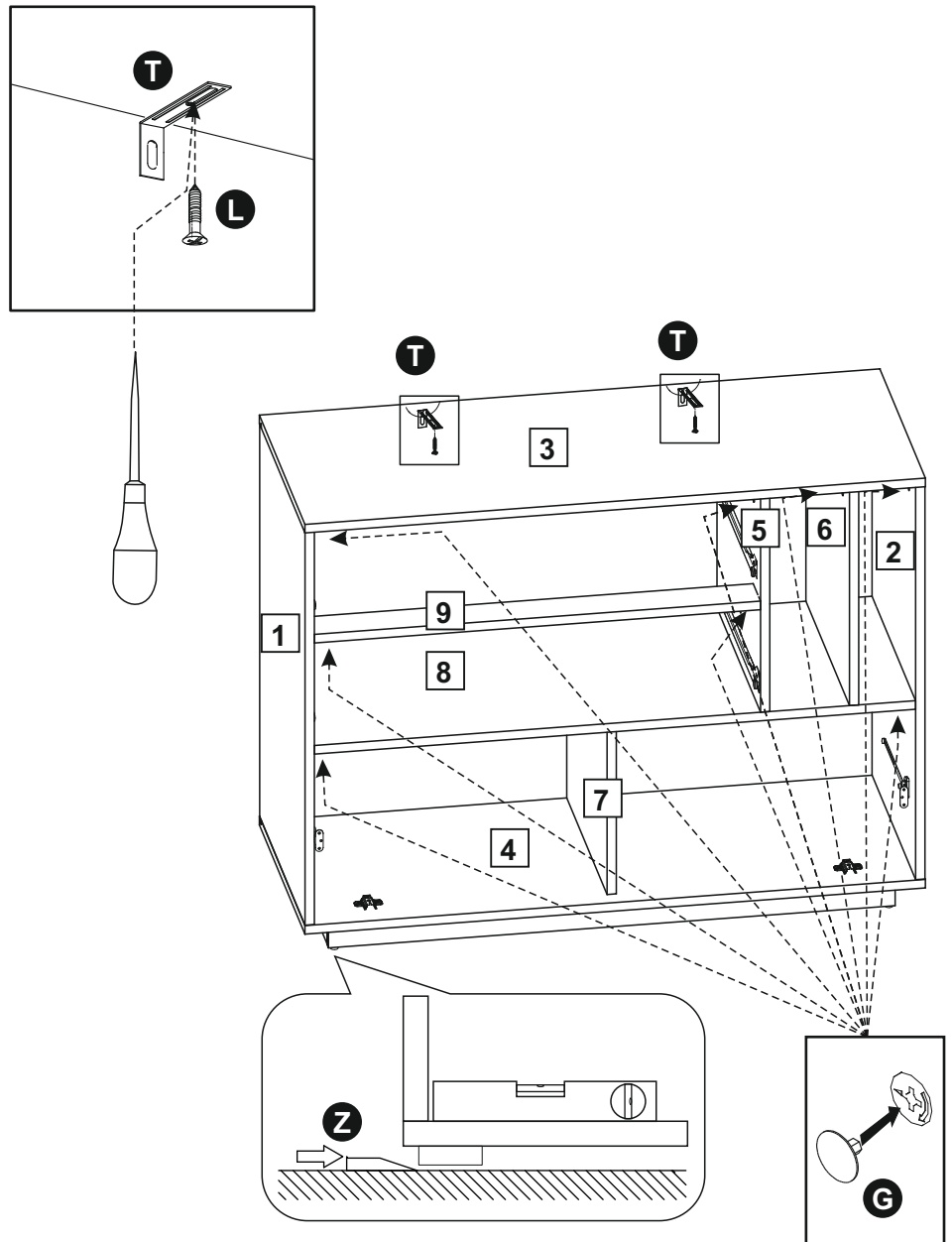
Drill holes on the marking on the wall.

Install wall bracket **T** to the wall.

Reposition sideboard. Fix sideboard to wall brackets **T** with screw **L**.

Place a spirit level on bottom **4**. Where necessary, insert height adjuster **Z** to make bottom **4** level.

Cover cams with caps **G**.



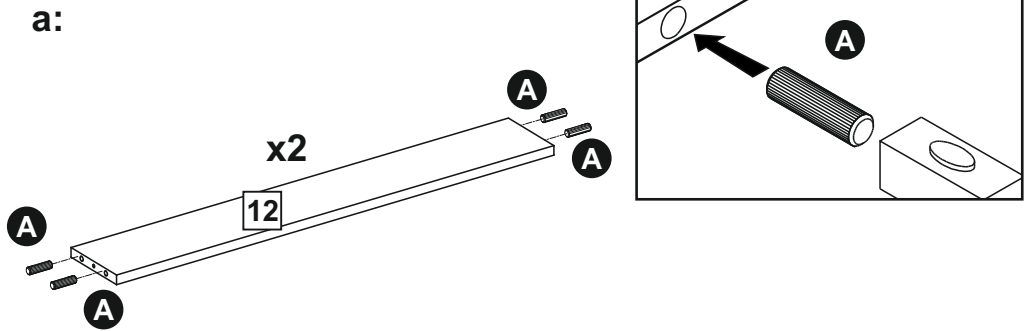
Assembly Instructions

Step 18

Drawer assembly

a: drawer back:

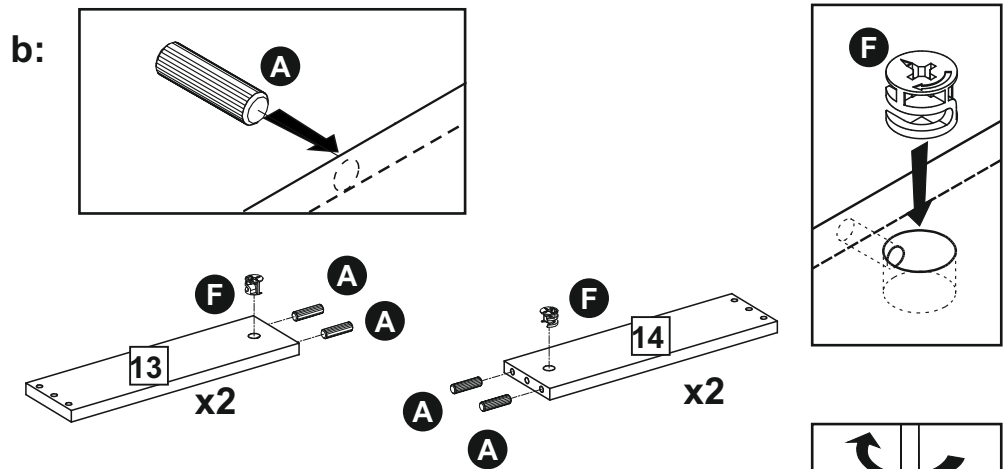
Insert wooden dowels **A** into the drawer back **12**.



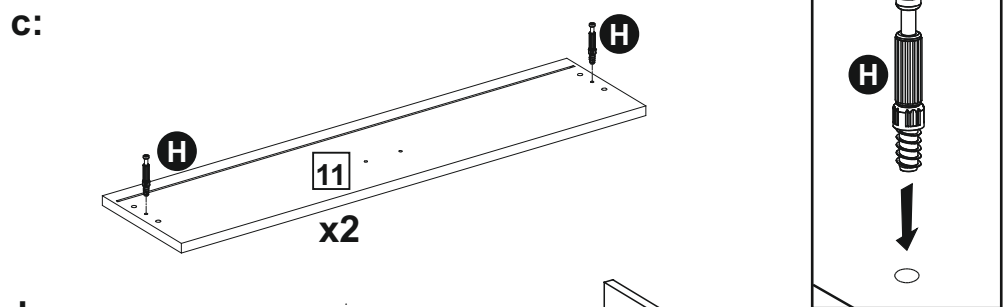
b: Insert 2 locking nuts **F** into the drawer sides **13** & **14**. Insert wooden dowels **A** into the drawer sides.



WARNING!
Please wear goggles or protective eyewear whilst hammering dowels in place.

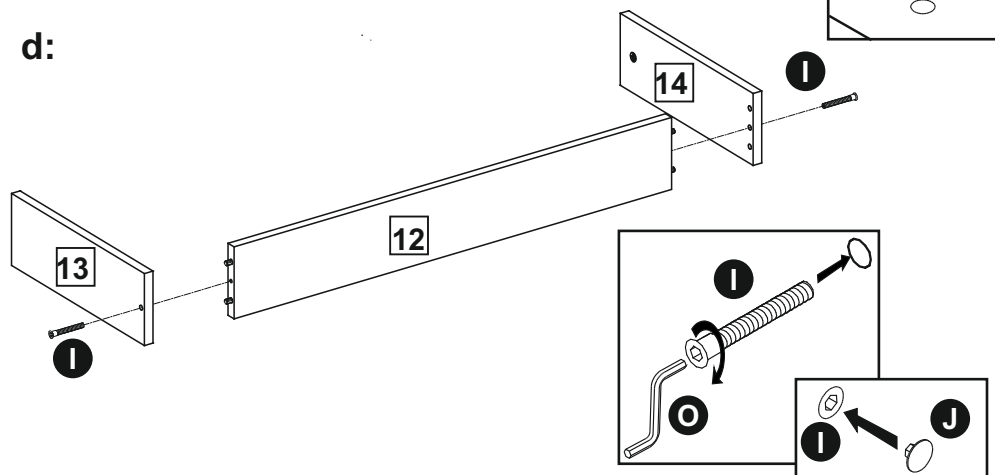


c: Screw metal dowels **H** into the drawer front **12**.



d: Fix drawer sides **13** & **14** to drawer the back **12** using hexagon bolt **I**.

Cover bolts with caps **J**.



Assembly Instructions

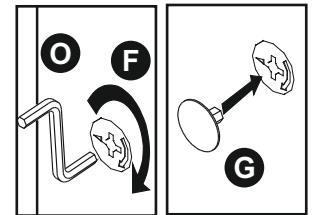
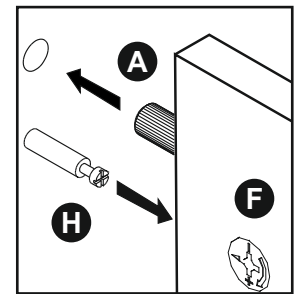
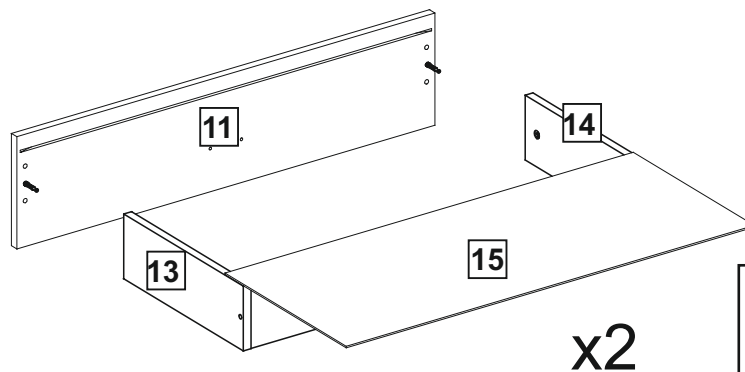
Step 19

Drawer assembly

a: Attach drawer front **11** to the drawer sides.

Use the allen key **O** to turn locking nuts **F** clockwise to lock. Cover cams with caps **G**.

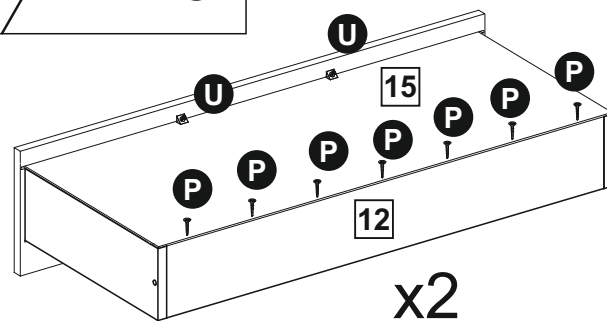
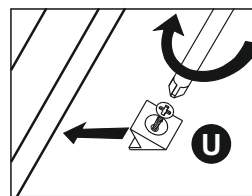
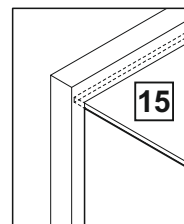
a:



b: Attach drawer base **16** using screws **O** &

stabilizer **S**.

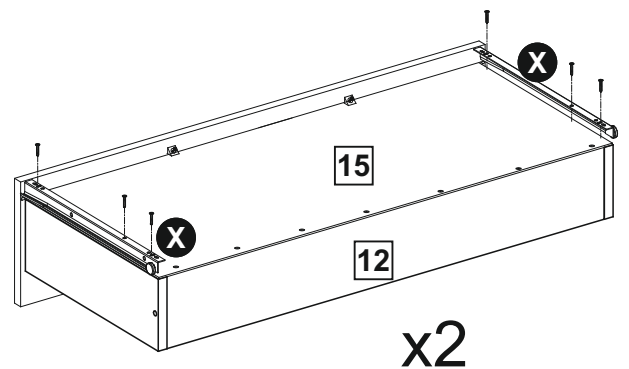
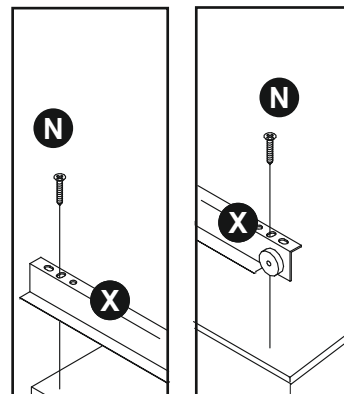
b:



IMPORTANT! Drawer **MUST** be "square" when base is attached.

c: Attach runner **X** using screws **N**.

c:



Repeat step 19 & 20 for all drawers.

Assembly Instructions

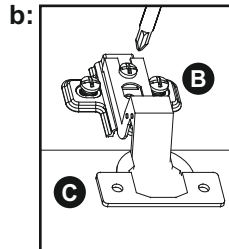
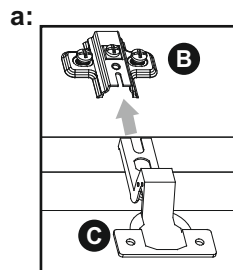
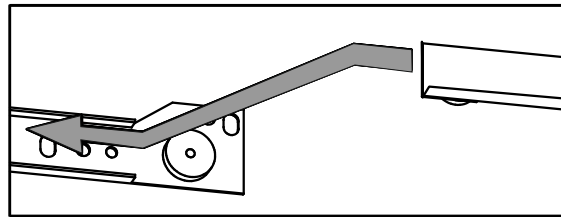
Step 20

Hanging flap

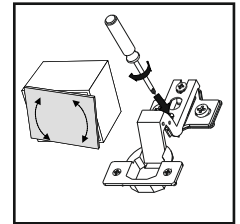
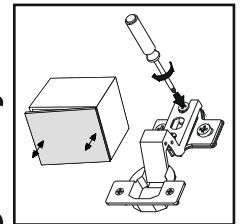
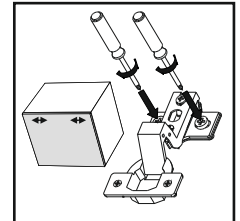
a: slot flap hinges **C** onto 'hinge plates'.

b: Tighten screw shown to lock hinges in position.

Insert drawers to the cabinet.

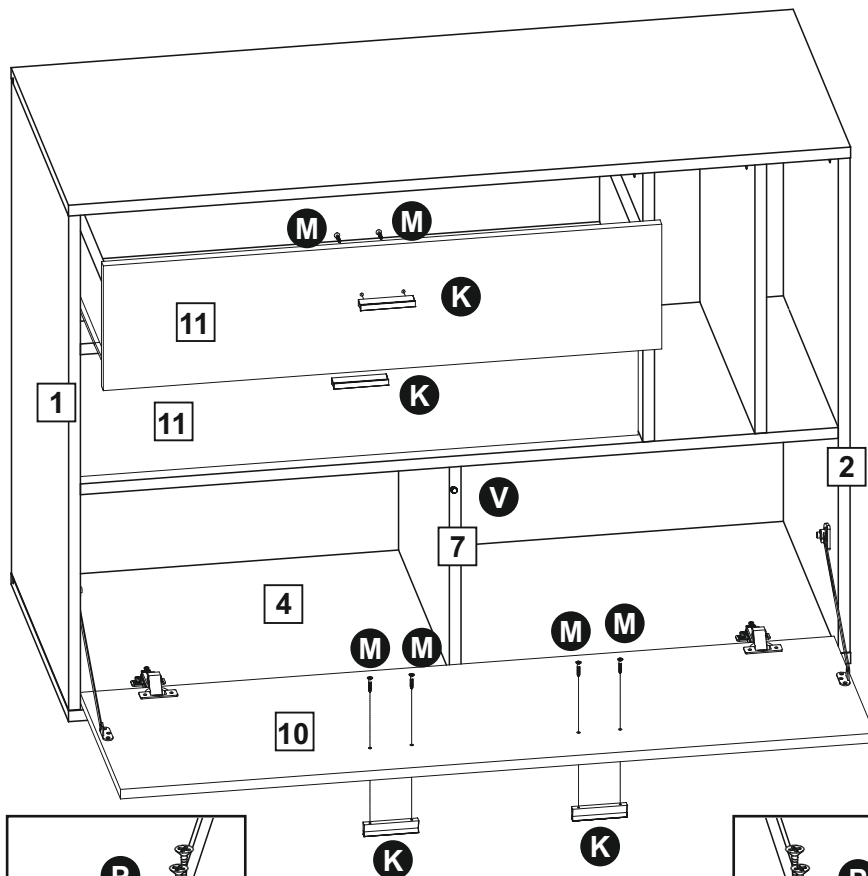


Hinge adjustment



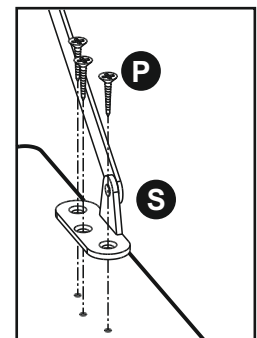
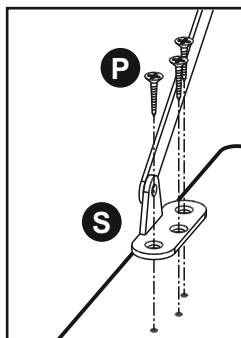
Fix flap stay **S** to the flap **10** using screws **P**.

Attach bumper **V** onto the vertical partition bottom **7**.



Attach door handles **K** using screws **M**.

Assembly is complete.



If you need help or have damaged or missing parts, call the Customer Helpline: 0845 6400 800

A Guide to - Wall Mounting & Fixings

Important note:

If plastic wall plugs are supplied with your product:



- these are only suitable for use in masonry walls.

If you are in any doubt about the correct wall plugs for your wall, seek professional advice.


Failure of the product due to using incorrect fixings is the responsibility of the installer.



Important: When drilling into walls always check that there are no hidden wires or pipes etc.

Make sure that the screws and wall plugs being used are suitable for supporting your unit. Consult a qualified tradesperson if you are unsure.

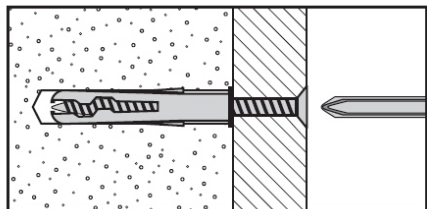
Hints:

- 1: General rule:**  Always use a larger screw and wall plug if you are not sure.
- 2:** Ensure you use the recommended drill bit to match the wall plug and hole size.
- 3:** Ensure you drill the hole horizontally, do not force the drill or enlarge the hole.
- 4:** Take extra care when drilling high walls, ceilings and ceramic tiles. Ensure wall plugs are inserted beyond the thickness of the ceramic tiles to avoid the tiles splitting or cracking.
- 5:** Ensure wall plugs are well fitted and are a tight fit in the drilled hole.

Types of walls

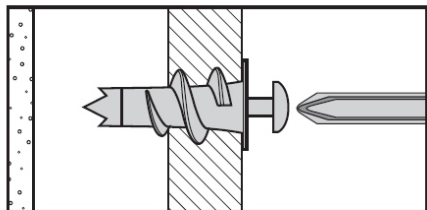
You can use one of the following types of wall plug if your walls are made of brick, breeze block, concrete, stone or wood.

No.1 "General Purpose" wall plug



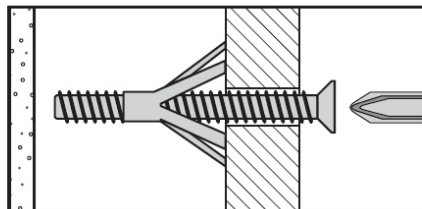
Generally aerated blocks should not be used to support heavy loads, use a specialist fitting in this case. For light loads, general purpose wall plugs can be used.

No.2 "Plasterboard" wall plug



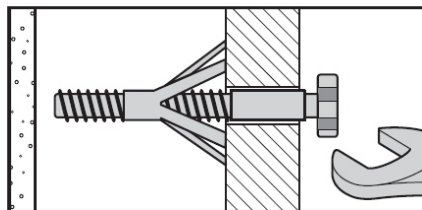
For use when attaching light loads on to plasterboard partitions.

No.3 "Cavity Fixing" wall plug



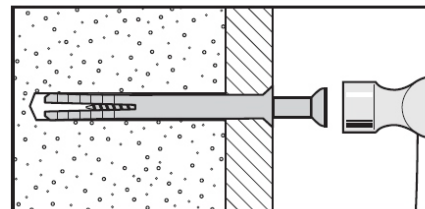
For use with plasterboard partitions or hollow wooden doors.

No.4 "Cavity Fixing-Heavy Duty" wall plug



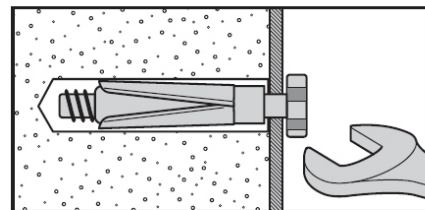
For use when fitting or supporting heavy loads such as shelving, wall cabinets and coat racks.

No.5 "Hammer Fixing" wall plug



For use with walls stuck with plasterboard. The hammer fixing allows it to be fixed to the wall rather than the plasterboard. Always check the fixing is secure to the retaining wall.

No.6 "Shield Anchor" wall plug Heavy loads



For use with heavier loads such as TV & HiFi speakers and satellite dishes etc.



Care & Maintenance

Safety: Always check the fitting and location to ensure your safety in and around the home.

Fitting: From time to time check the fitting to ensure the wall plugs or screws do not become loose.