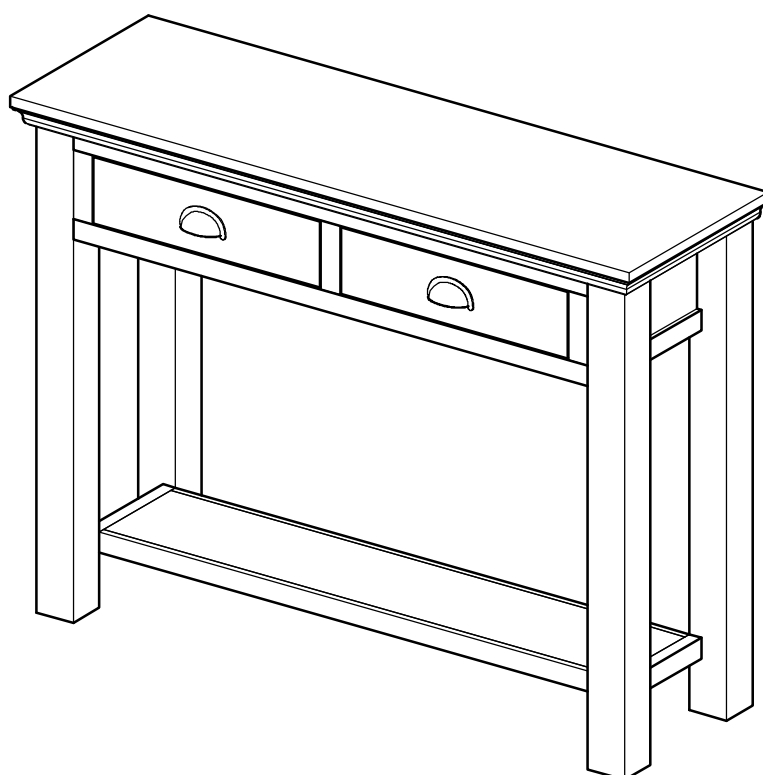


Westminster Oak Console Table

Assembly Instructions - Please keep for future reference

424/3485



Dimensions

Width - 100cm
Depth - 32cm
Height - 75cm

Important - Please read these instructions fully before starting assembly

If you need help or have damaged or missing parts, call the **Customer Helpline:**
Argos = 0845 6400800

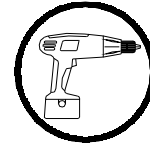


Safety and Care Advice

Important - Please read these instructions fully before starting assembly

- Check you have all the components and tools listed on the following pages.
- Remove all fittings from the plastic bags and separate them into their groups.
- Keep children and animals away from the work area, small parts could choke if swallowed.
- Make sure you have enough space to layout the parts before starting.

- During assembly do not stand or put weight on the product, this could cause damage.
- Assemble the item as close to its final position (in the same room) as possible.
- Assemble on a soft level surface to avoid damaging the unit or your floor.
- Parts of the assembly will be easier with 2 people.



- To reduce the likelihood of damaging your product please ensure that your power drill is set on a low torque setting.

Care and maintenance

- Only clean using a damp cloth and mild detergent, do not use bleach or abrasive cleaners.
- From time to time check that there are no loose screws on this unit.
- This product should not be discarded with household waste. Take to your local authority waste disposal centre.

Handy Hints

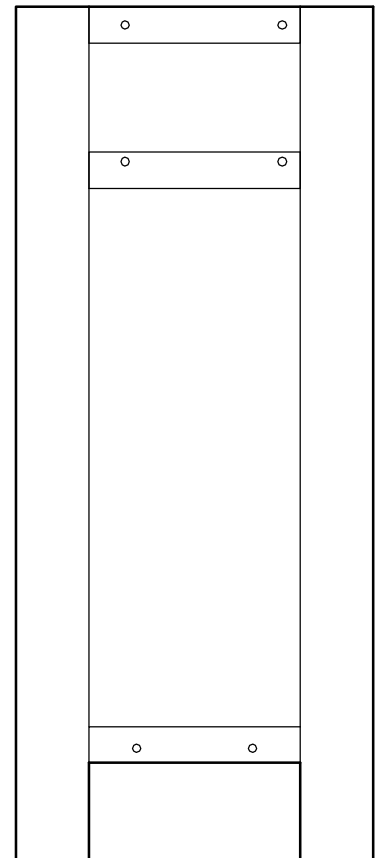
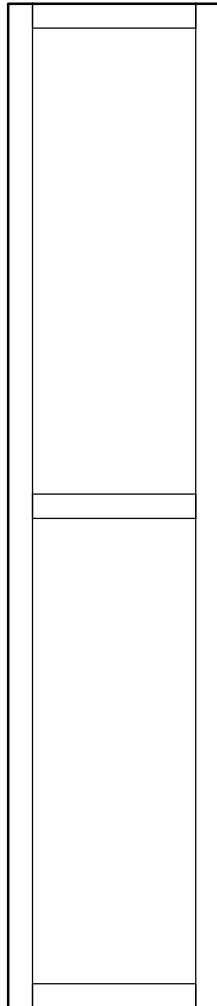
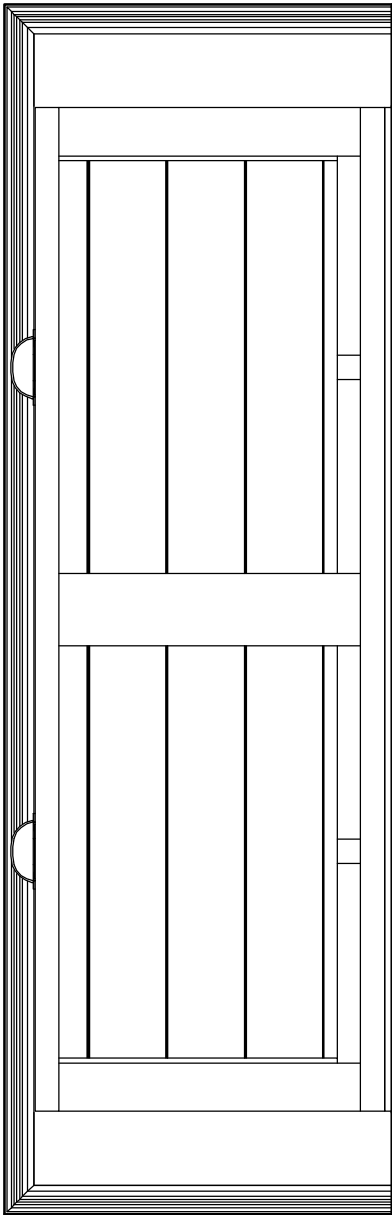
- Assemble all parts and bolts loosely during assembly, only once the product is complete should you fully tighten the bolts.
- Regularly check and ensure that all bolts and fittings are tightened properly.

Note: if required the next page can be cut out and used as reference throughout the assembly. Keep this page with these instructions for future reference.

Components - Panels

If you have damaged or missing components, call the
Customer Helpline: Argos = 0845 6400800

Please check you have all the panels listed below



1 Top frame x 1 (100 x 32 cm)

2 Shelf frame x 1 (83 x 17.5cm)


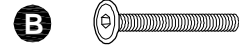
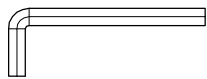
3 Leg frame x 2 (71 x 29.5cm)



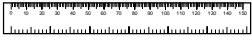
Components - Fittings

Please check you have all the fittings listed below

Note: The quantities below are the correct amount to complete the assembly. In some cases more fittings may be supplied than are required.

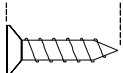
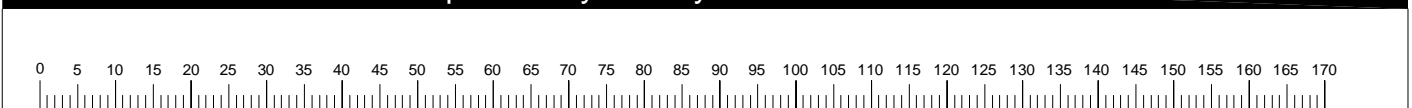
 <p>A</p> <p>M6x35mm Bolt x 8</p>	 <p>B</p> <p>M6x55mm Bolt x 4</p>	 <p>C</p> <p>Allen key x 1</p>
--	---	--

Tools required



Ruler/tape
measure

Ruler - Use this ruler to help correctly identify the screws



The screws length is measured from the head to the point (15 mm screw shown).

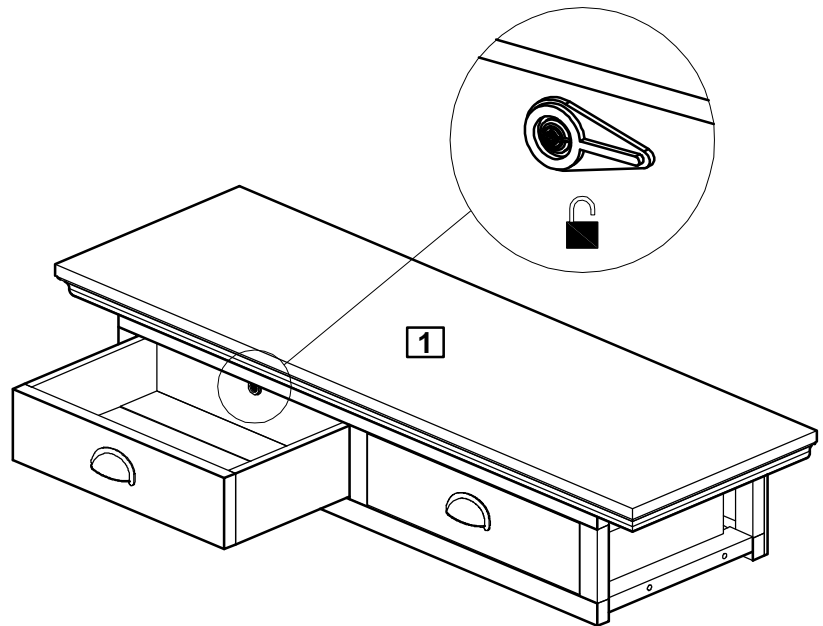
Assembly Instructions

Step 1

Removing the drawers.

Pull the drawer out until it is fully extended. Turn the stopper to unlock. Pull the drawer out of the top frame **1**. Place the drawer aside.

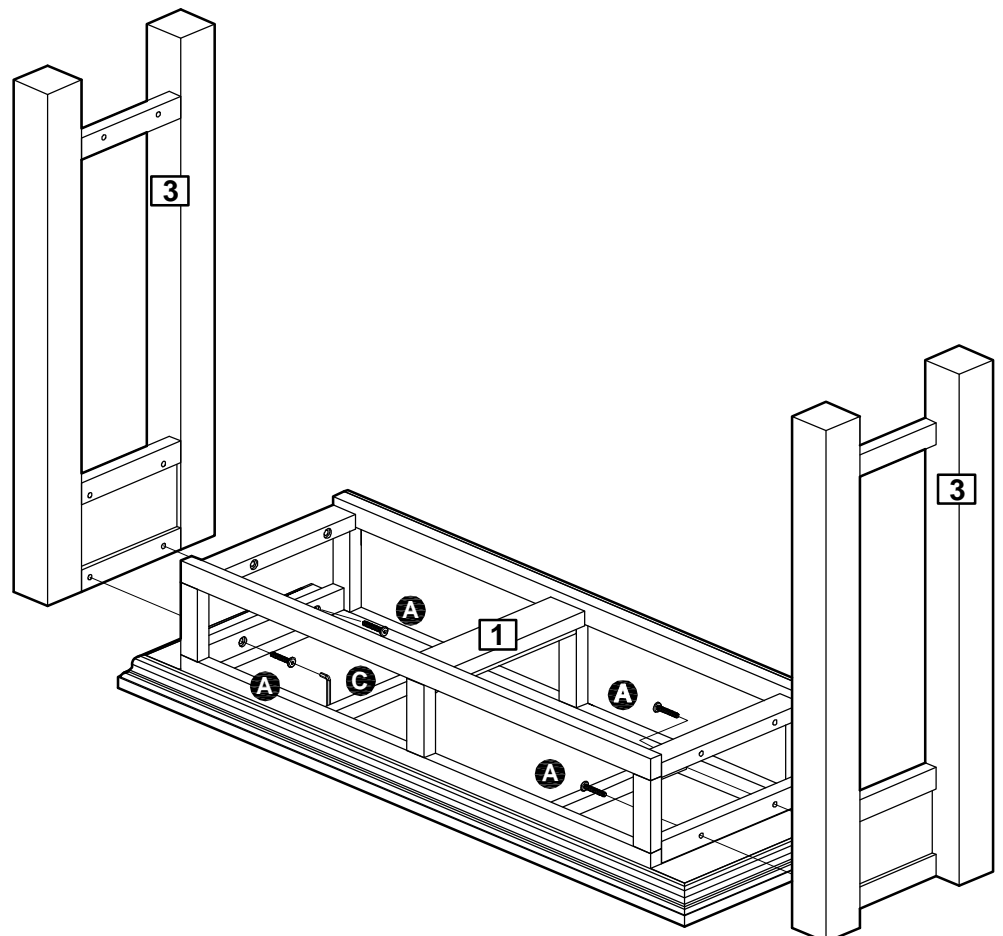
Repeat with the other drawer.



Step 2

Attaching the leg frames.

With the help of another person, turn the top frame **1** over carefully. Attach leg frames **3** to the sides of the top frame **1** using bolts **A**. Tighten with allen key **C**.

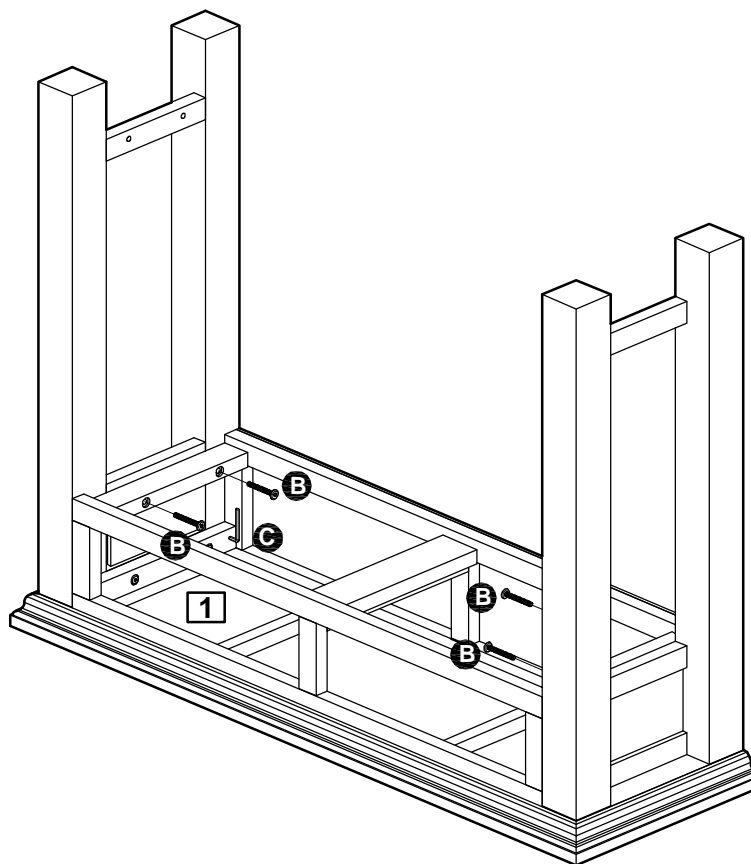


Assembly Instructions

Step 3

Securing the leg frames.

Attach the leg frames **3** to the top frame **1** using bolts **B** through the holes shown. Tighten with allen key **C**.

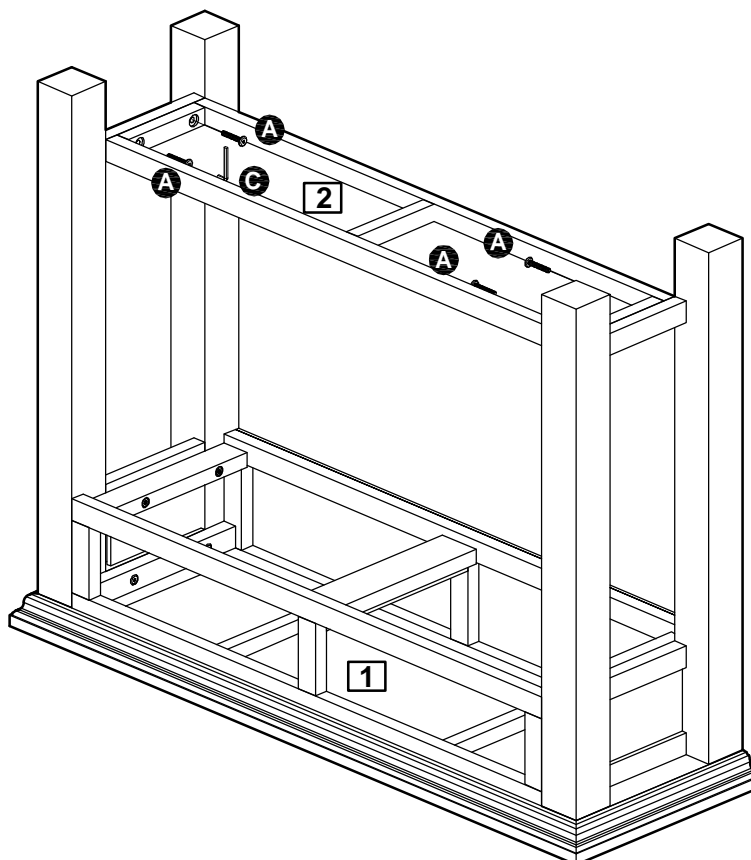


Step 4

Attaching shelf frame.

Position the shelf frame **2** between the side rails of leg frames **3** as shown. Fix through holes on shelf frame **2** using bolts **A**.

With the help of another person, turn the table over carefully .



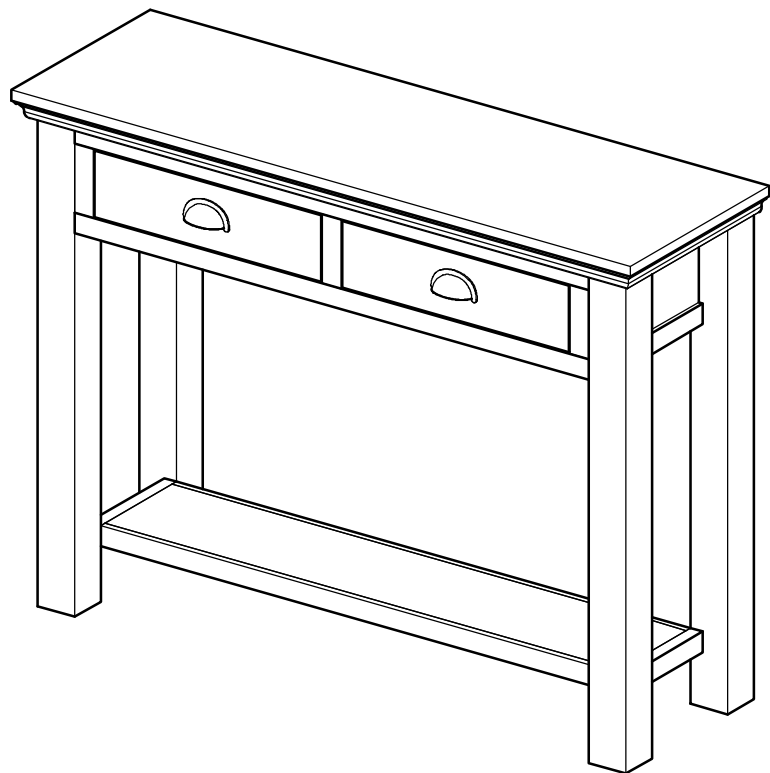
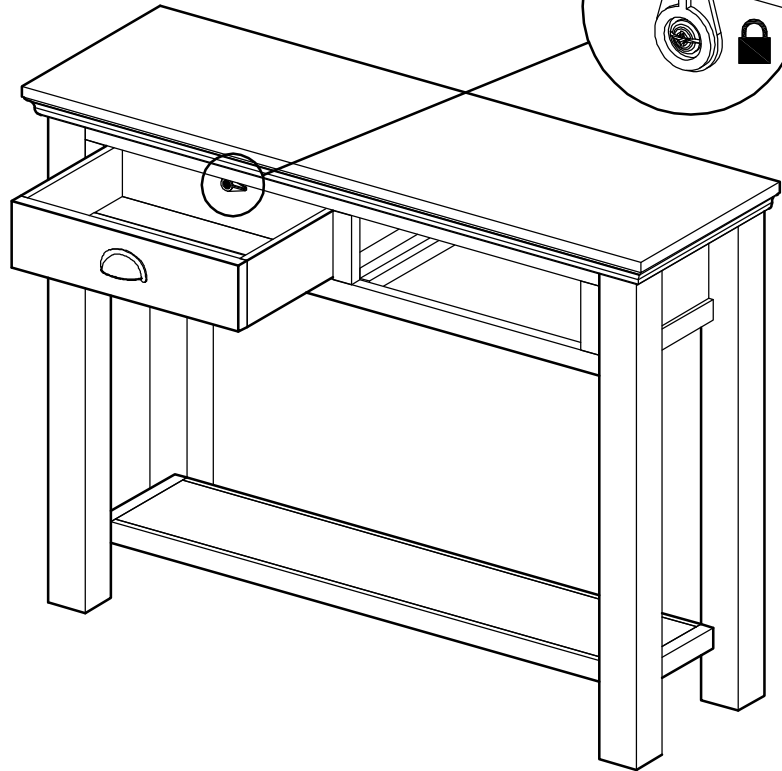
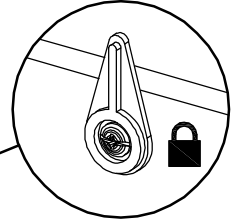
Assembly Instructions

Step 5

Inserting drawers.

Slide the drawer onto the runner. Turn the stopper to lock.

Repeat with the other drawer.



Assembly is complete.

If you need help or have damaged or missing parts, call the Customer Helpline:
Argos = 0845 6400800