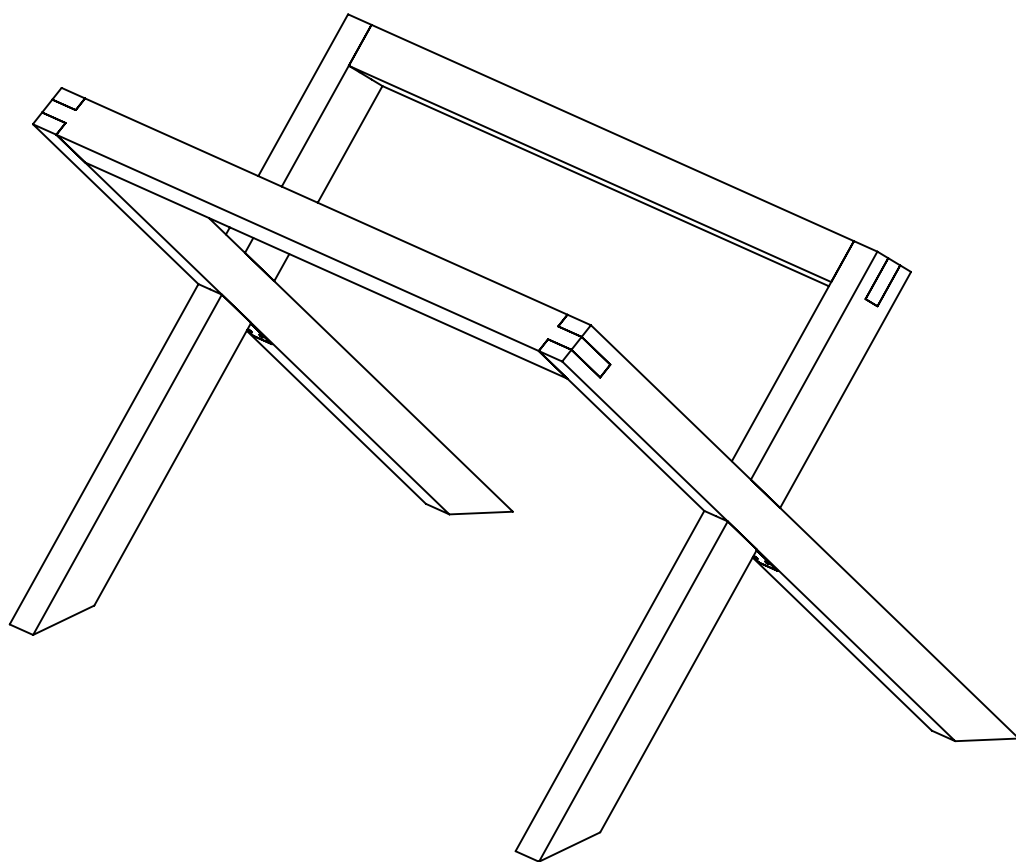


**DUBLIN  
DINING TABLE BASE  
OAK**

habitat 

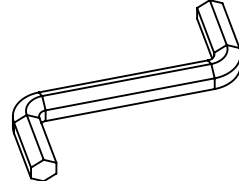
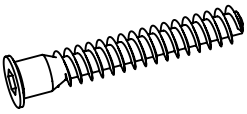
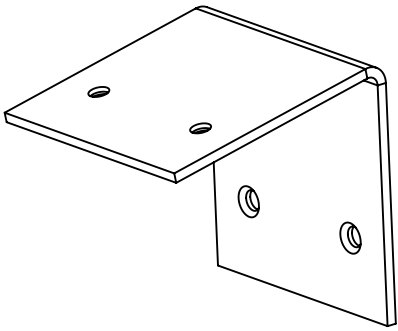
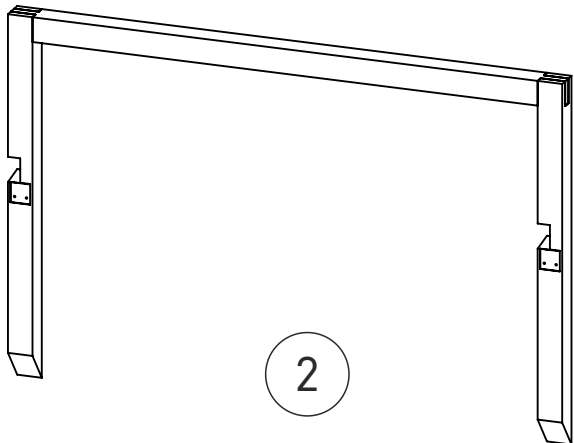
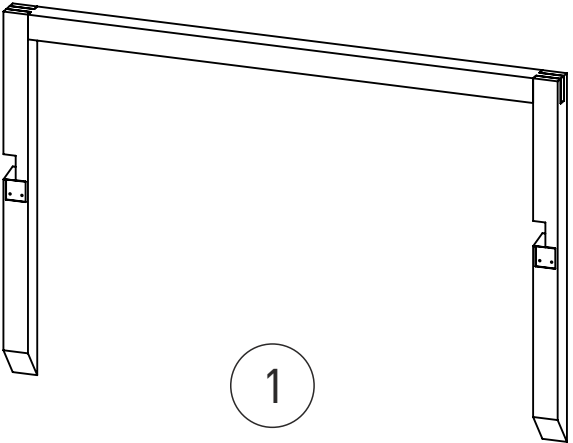
26027

DUB-DT-SS13-A



habitat 

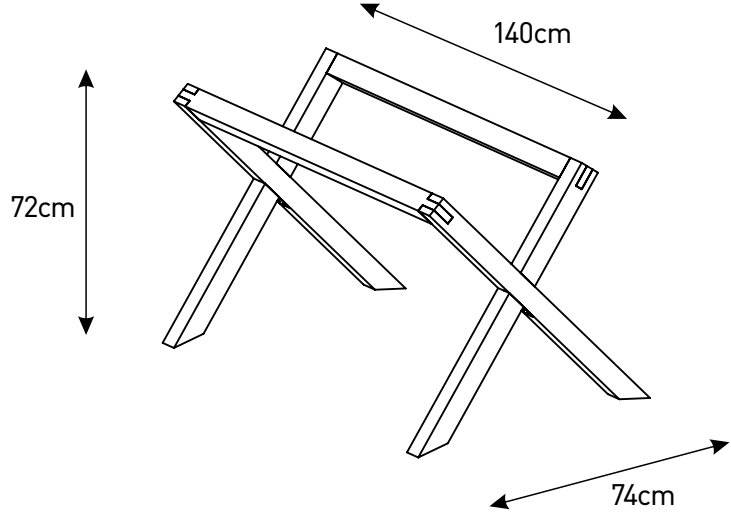
# Components



A x2

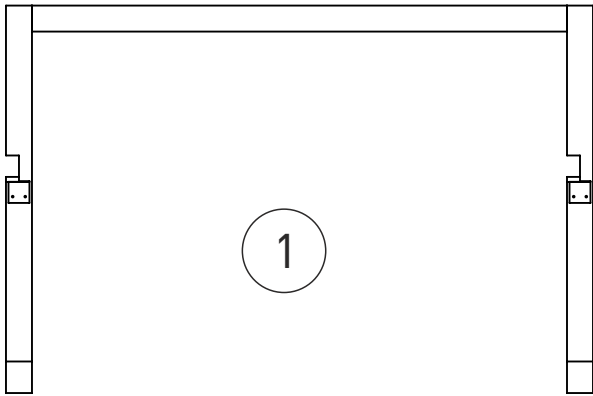
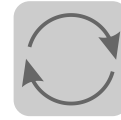
B x8

C x1

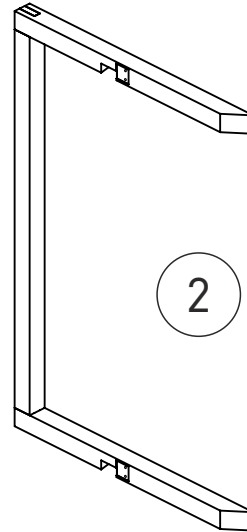
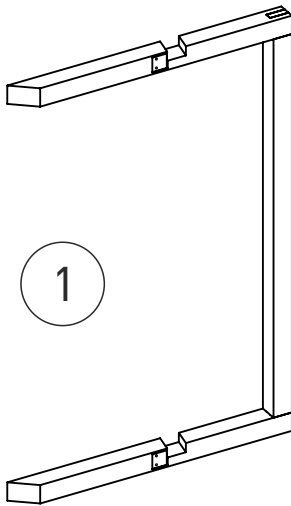


# Assembly Instructions - Keep in a safe place for future reference

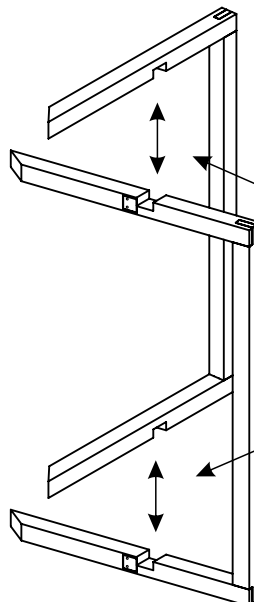
## 1



## 2

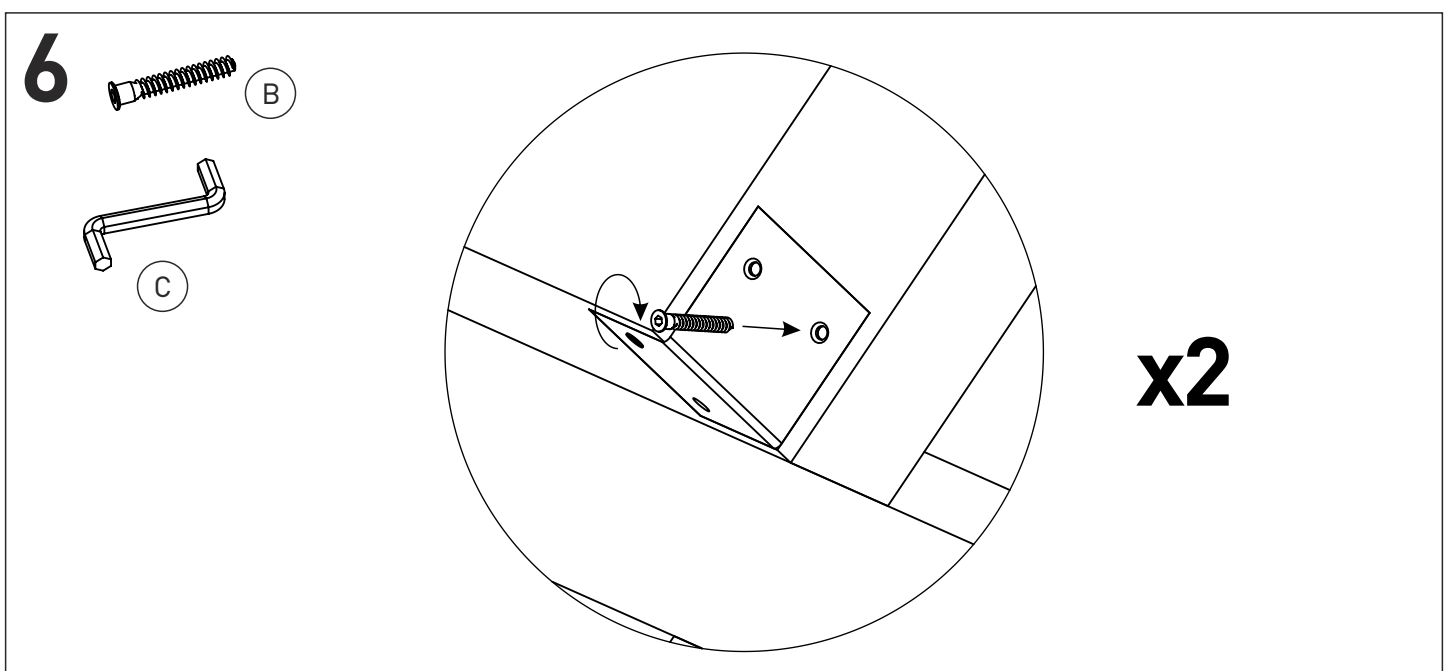
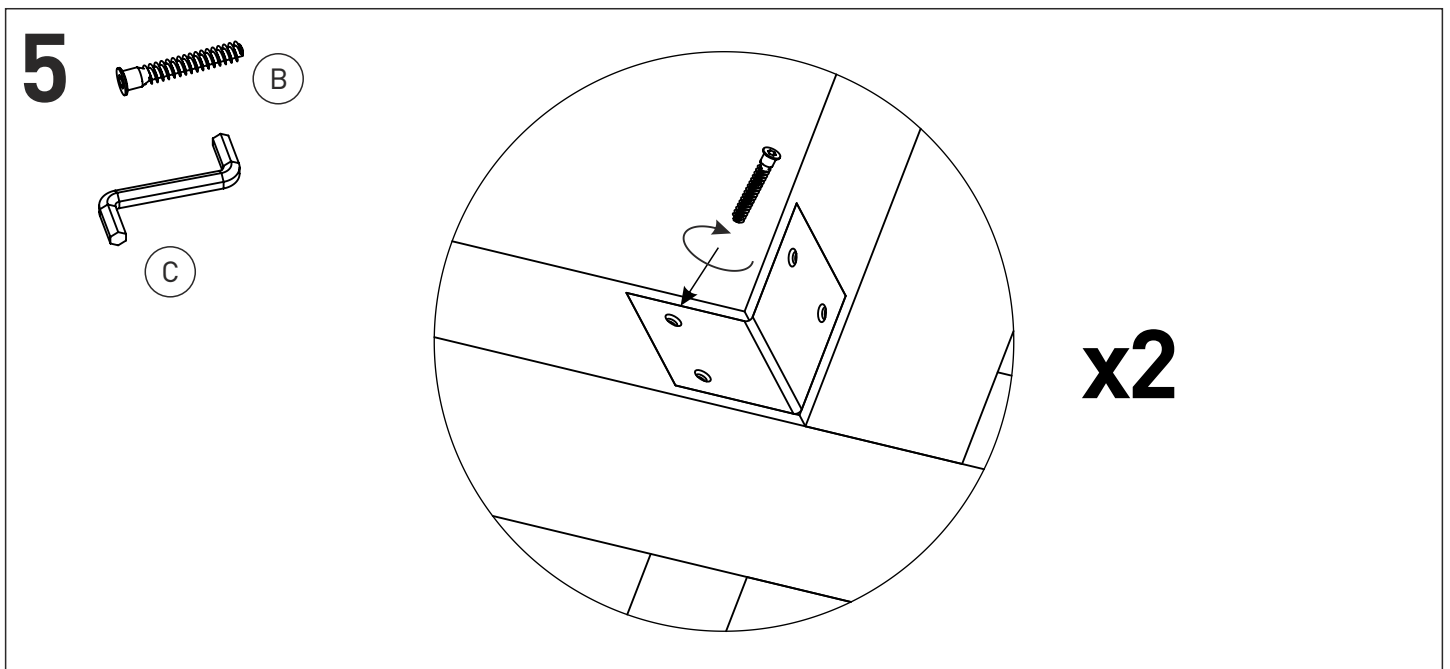
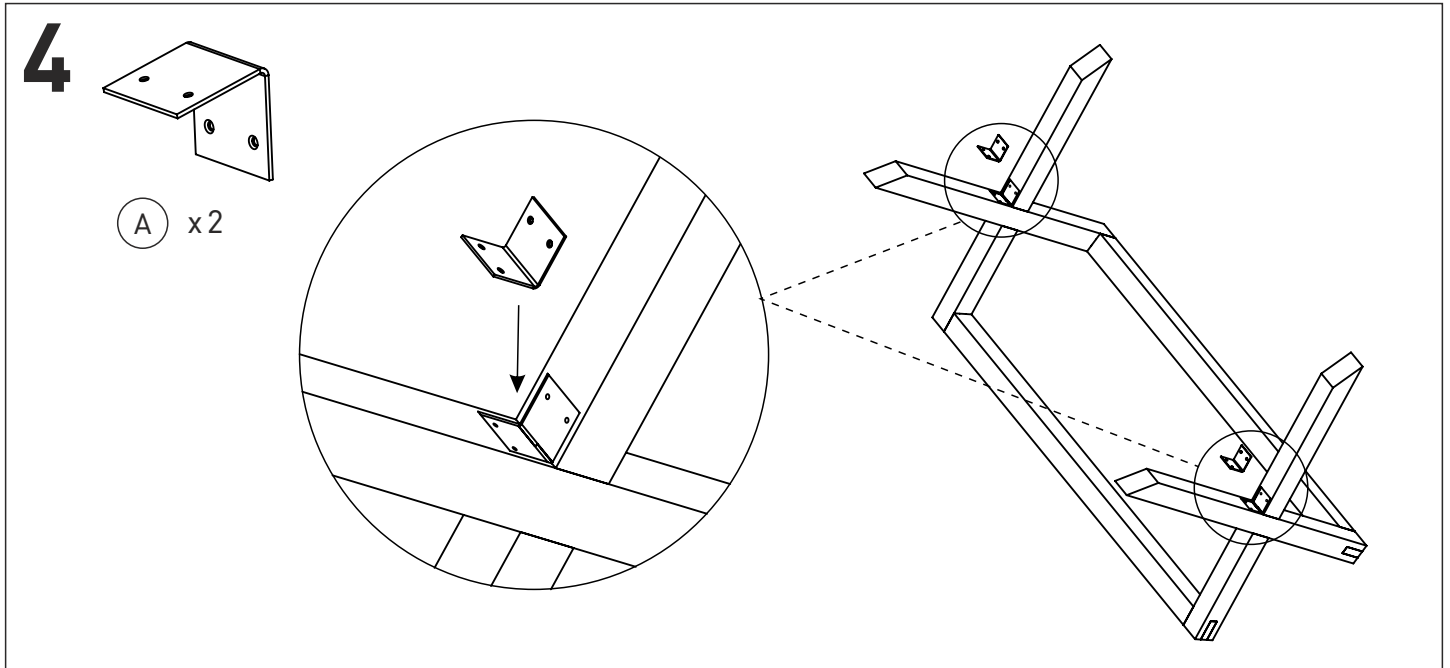


## 3



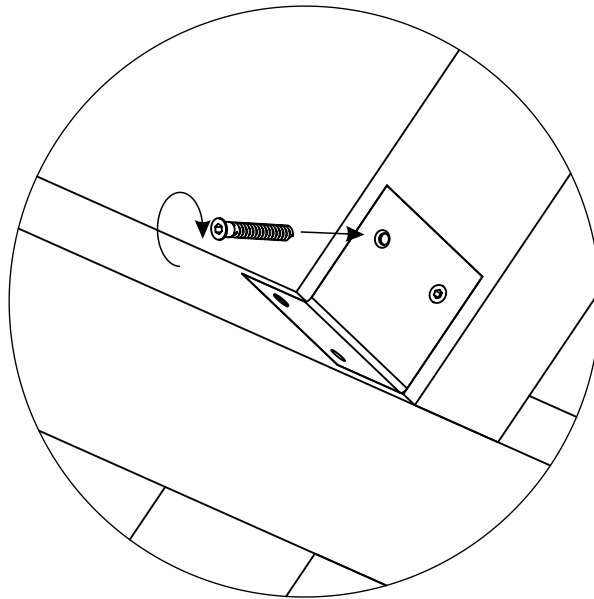
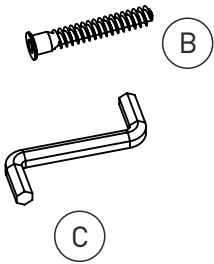
**ATTENTION**  
Firmly press both legs together!

# Assembly Instructions - Keep in a safe place for future reference



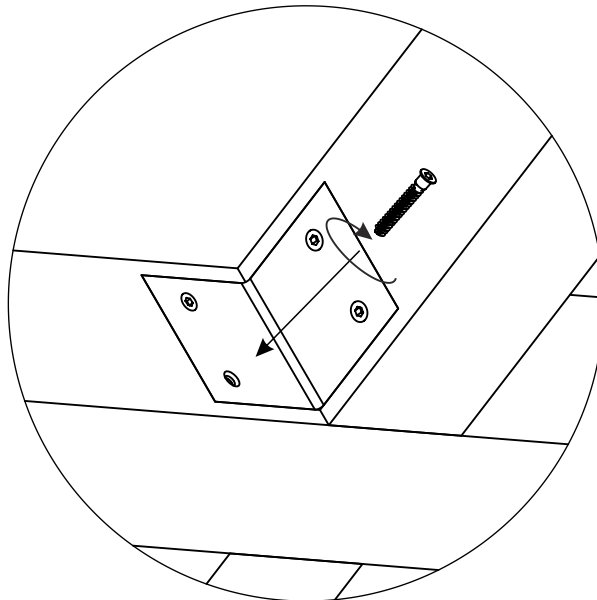
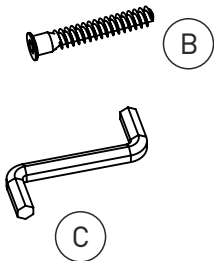
# Assembly Instructions - Keep in a safe place for future reference

7



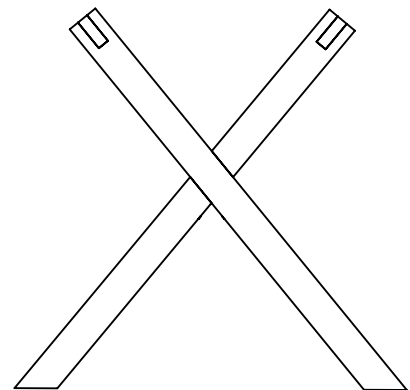
x2

8



x2

9



## **General Care Advice - please read carefully**

---

We would recommend that you protect this furniture from spills - any spillage should be removed immediately to avoid staining by using a damp cloth, then wiping dry the surface with a clean dry duster. Repeat this procedure for periodic cleaning. The use of furniture polishes or sprays is not necessary or recommended.

Wood is a beautiful natural material. It is important to understand its unique properties which should not be mistaken for flaws.

Each piece will have a slightly different grain pattern. Variation in colour, shading and grain between different products and within the same product can occur. This is a normal feature of all natural wood furniture.

- Take care when moving furniture, dragging pieces across the floor will damage the joints.
- Take care to prevent sharp objects e.g. toys, buckles and heels from coming into contact with your furniture, and avoid contact with chemicals e.g. cosmetics or hair products which may permanently mark the surface.
- Avoid exposing your furniture to direct and prolonged periods of sunlight and heat sources as fading or cracking may result.
- Furniture wax should never be considered a protective finish, but rather as a protective barrier, providing added wax protection to a finish or substrate from such things as moisture, dust and airborne pollutants. We have all seen water bead up on the hood of a car. Wax on furniture does the same thing. However, if water is left to stand on a waxed surface, it will eventually penetrate the wax and possibly affect the finish and wood. Remember, wax is not a protective finish but a barrier coat that will allow you a little more time to clean up a spill. Wax also provides scratch resistance and protection from dust, in that it creates a barrier between the finish and the dust cloth.

If your furniture becomes stained, scratched chipped or suffers other damage we would recommend professional help is sought to restore it.

### **Periodically check that there are no loose screws on the unit.**

If for any reason you should have problems with your Habitat product please contact the store from which you purchased your product.

If you have any comments or suggestions regarding this product, assembly instructions or service received, please enquire at your nearest store or contact us on our website at:

[www.habitat.co.uk](http://www.habitat.co.uk) or write to this address:

Habitat Retail Ltd. 489-499 Avebury Boulevard,  
Milton Keynes MK9 2NW