

COOKWORKS

S I G N A T U R E

Instruction Manual - Please keep for future reference

Cookworks Signature Mini Oven



IMPORTANT SAFETY INSTRUCTIONS

 Read all instructions before use and keep for future reference.

WARNING

- Misuse or modification of this appliance may result in breakdown or injury.
- To reduce the risk of fire or electric shock, do not expose this appliance to rain or moisture.

IMPORTANT INFORMATION

- The appliance is intended for household use only.
- The appliance should always be turned to OFF before plugging or unplugging from socket. Never yank cord to disconnect from socket; instead, grasp plug and pull to disconnect.
- Check that the voltage on the rating plate of your product corresponds with your local electricity supply which must be A.C. (Alternating Current).
- If the mains sockets in your home are not suitable for the plug supplied with this product, check with a qualified electrician for replacement.

FOR OPTIMUM PERFORMANCE

- Do not use in environments which are extremely hot, cold, dusty or humid.
- Keep the unit free from dust and clean with a dry cloth.
- Do not use in areas exposed to direct sunlight or where it can become extremely hot.
- Keep away from sources of strong magnetism - such as televisions or speakers.
- Avoid placement where there is a lot of movement, vibration or on an unstable surface.

FOR SAFETY

DO NOT:

- Attempt to disassemble this unit or carry out repairs.
- Attempt to modify the unit in any way.
- Make sure that foreign objects do not get inside the unit.
- Place naked flame sources - such as lit candles on or near the unit.
- Place objects filled with liquids - such as vases, on or next to the unit.
- Cover the unit - allow the unit to be well ventilated.
- Drop the unit or subject it to strong shocks.
- Use parts not recommended by the manufacturer.
- Use if any parts damaged - replace before further use.

CHILDREN


- Children do not always understand the dangers associated with operating electrical appliances. Never allow children to use this appliance.

IMPORTANT SAFETY INSTRUCTIONS

 Read all instructions before use and keep for future reference.

POWER SUPPLY

- If the unit uses a mains supply, ensure that the plug is securely inserted into the mains socket, and it is easily accessible.
- Protect the power lead from sharp objects, excessive heat and damp or wet locations. Check the power lead periodically, and replace if damaged.
- Check that the voltage on the rating plate of your product corresponds with your local electricity supply which must be A.C. (Alternating Current).
- Any repairs should only be carried out by a fully qualified electrician or an authorised service agent.
- If the supply cord is damaged, it must be replaced by the manufacturer, its service agent or similarly qualified persons in order to avoid a hazard.

 **CAUTION: TO REDUCE THE RISK OF ELECTRIC SHOCK DO NOT REMOVE COVER (OR BACK), THERE ARE NO USER SERVICEABLE PARTS INSIDE, REFER SERVICING TO QUALIFIED SERVICE PERSONNEL.**

SPECIFIC SAFETY INSTRUCTIONS

1. Read all instructions.
2. Do not touch hot surfaces. Use handle or knobs.
3. Close supervision is necessary when any appliance is used by or near children.
4. To protect against electric shock, do not immerse cord, plug, or any parts of the oven in water or other liquids.
5. Do not let cord hang over edge of table or counter, or touch hot surfaces.
6. Do not operate appliance with damaged cord or plug or after the appliance malfunctions, or has been damaged in any manner, return appliance to the nearest Authorized Service Center for examination, repair, or adjustment.
7. The use of accessory attachments not recommended by the appliance manufacturer may cause hazard or injury.
8. Do not place on or near a hot gas or electric burner, or in a heated oven, or in a microwave oven.
9. When operating the oven, keep at least 12 cm of space on all sides of the oven to allow for adequate air circulation.
10. Unplug from outlet when not in use, or before cleaning. Let it to cool before putting on or taking off parts, or before cleaning.
11. Extreme caution must be used when moving an appliance containing hot oil or other hot liquids.
12. Do not cover CRUMB TRAY or any part of the oven with metal foil. This may cause overheating of the oven.
13. Use extreme caution when removing tray or disposing of hot grease or other hot liquids.
14. Do not clean with metal scouring pads. Pieces can break off the pad and touch electrical parts, creating a risk of electric shock.
15. A fire may occur if the oven is covered or touching flammable material, including curtains, draperies, walls, and the like, when in operation. Do not store any item on the oven during operation.
16. Extreme caution should be exercised when using containers constructed if anything other than metal or glass.

IMPORTANT SAFETY INSTRUCTIONS

 Read all instructions before use and keep for future reference.

17. Do not place any of the following materials in the oven: cardboard, plastic, paper, or anything similar.
18. Do not store any materials, other than manufacturer's recommended accessories, in this oven when not in use.
19. Always attach plug to appliance first, then plug cord into the wall outlet. To disconnect, turn any control to "off", then remove plug from wall outlet. Always hold the plug, but never pull the cord.
20. Always wear protective, insulated oven mitts when inserting or removing items from the hot oven.
21. This appliance has a tempered, safety glass door. The glass is stronger than ordinary glass and more resistant to breakage. Avoid scratching door surface or nicking edges. If the door has a scratch or nick, contact our consumer relations line before using the oven.
22. Do not use outdoors.
23. Do not use appliance for other than intended use.
24. This appliance is for HOUSEHOLD USE ONLY.
25. The accessible surfaces are liable to get hot when the appliance is operating.
26. Glass Door cannot support goods in the fully open position.
27. The appliance is not intended to be controlled by an external timer or separate remote-control system.
28. This appliance is not intended for use by persons (including children) with reduced physical, sensory or mental capabilities or lack of experience and knowledge, unless they have been given supervision or instruction concerning use of the appliance by a person responsible for their safety.
29. Children should be supervised to ensure that they do not play with the appliance.
30. For appliance with type Y attachment, if the supply cord is damaged, it must be replaced by the manufacturer, its services agent or similarly qualified persons in order to avoid a hazard.
31. Rear surface of appliances should be placed against a wall.

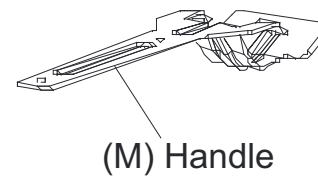
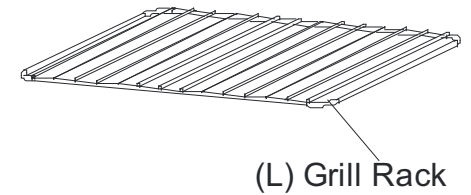
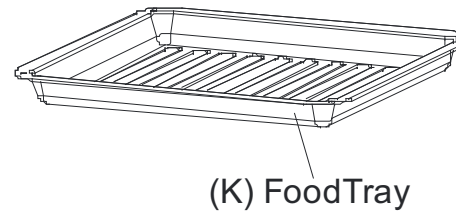
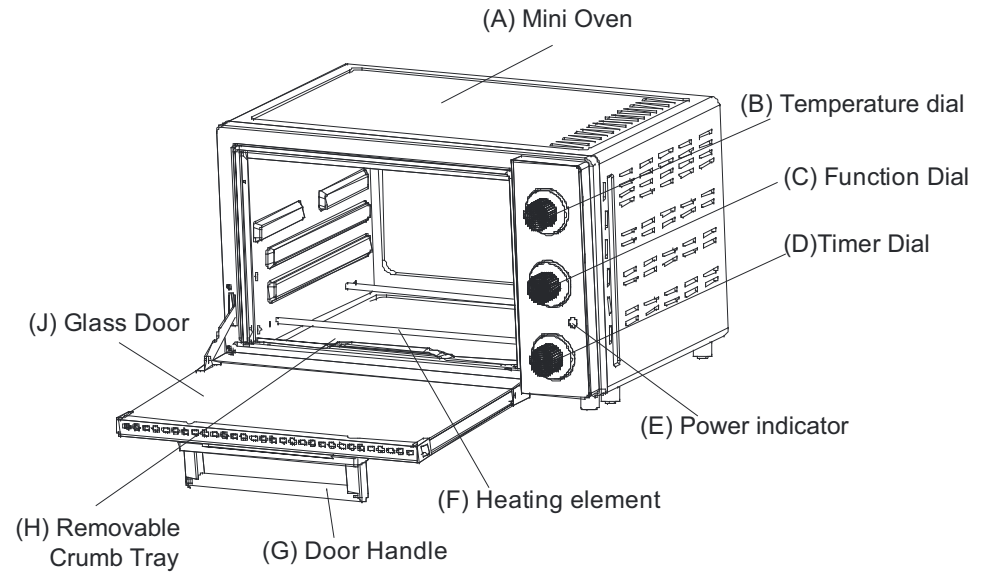
Convection Cooking

- Convection cooking is the preferred method of cooking by many chefs. The oven contains a built-in fan that circulates heated air around the food when is cooking. This heated airflow continually surrounds the food, which helps to brown and seal in the juices of meats. Food is cooked more evenly in less time than in conventional ovens. These types of ovens are often referred to as fan assisted ovens.

CONTENTS

KNOW YOUR MACHINE

Know Your Machine	5
Operation	6
Care and Cleaning.....	11
Specifications	12



OPERATION



IMPORTANT:

Please read the important safety instructions before use.

Before Using Your Convection Electric Oven


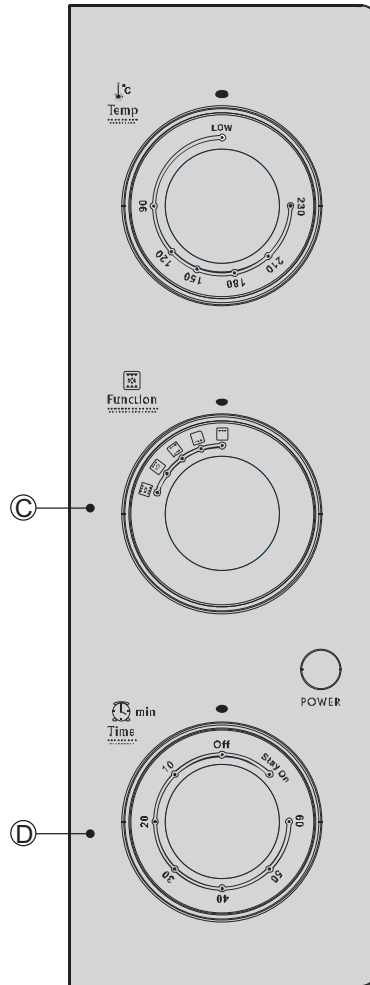
- Before using your convection electric oven for the first time, be sure to:
 1. Make sure oven is unplugged and Timer Dial **D** is in the OFF position. **See fig. 1.**
 2. Remove all racks and pans. Wash in hot soapy water or in dishwasher.
 3. Thoroughly dry all accessories and re-assemble in oven, then plug the oven into the mains
 4. After re-assembling your oven, turn the Function Dial **C** to MAX temperature on  for approximately 15 minutes to eliminate any oil coatings on parts after production. **See fig. 1.**

fig. 1



OPERATION

Using Your Convection Electric Oven

1. Function Dial **C**. This oven is equipped with five cooking options:
 - Upper Heating
 - Lower Heating
 - Upper+Lower Heating
 - Upper Heating and Convection
 - Convection
 - Upper, Lower Heating and Convection

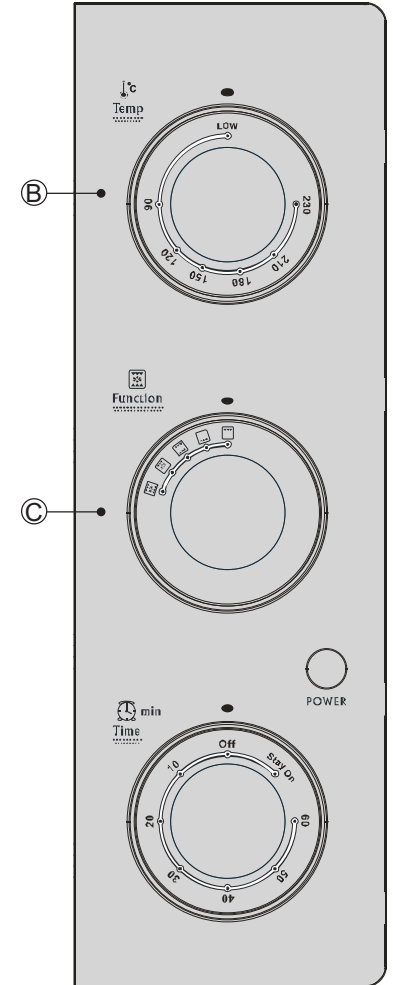
Cooking guide:

- Cakes, pies, cookies, poultry, beef, pork, etc.
- Dehydrating and proofing of Bread, muffins, frozen waffles. Etc.
- For broiling fish, roasting meat, poultry, pork chops, etc.
- Quickly thaws a variety of foods set at low temperature.
- Keeps food warm for up to 60 mins.

See fig. 2.

2. Temperature Dial **B**: Choose desired temperature from LOW to HIGH.

fig. 2



OPERATION

3. Timer Dial (D): Turn anti-clockwise to the ON position, the oven will stay ON until manually shut off. To activate the timer, turn to the desired time. A bell will sound at end of programmed time.
See fig. 3.

4. Power Indicator (E): This is illuminated whenever the oven is turned on.
See fig. 3.

6. Grill Rack (L): For toasting, baking, and general cooking in casserole dishes and standard pans.
See fig. 4.

7. Food Tray (K): For use in broiling and roasting meat, poultry, fish, and various other foods.
See fig. 5.

8. Handle (M): Allows you to pick up Food Tray and Grill Rack.
See fig. 6.

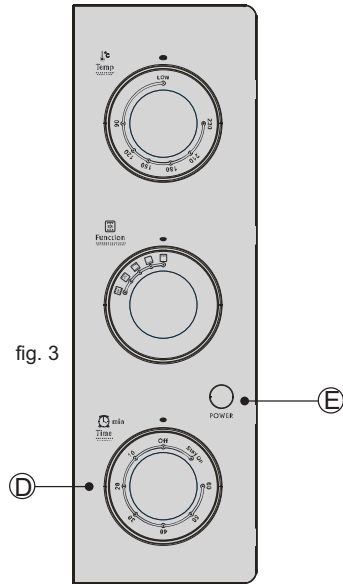


fig. 3

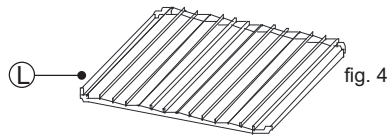


fig. 4

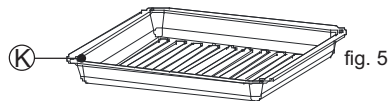


fig. 5

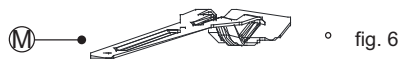


fig. 6

OPERATION

Oven Operation

1. Plug into the mains socket.
2. The Power Indicator (E) will light up.
See fig. 7.
3. Set the temperature of the oven by turning Temperature Dial (B).

4. Wait for a few minutes to allow the oven to warm up. Then place the food on Grill Rack (L) or Food Tray (M) and close the Glass Door (G).
See fig. 7.

NOTE: Use baking trays for any food that is small in size or likely to drip while cooking.

5. Set the Temperature Dial (B) to the desired temperature.
See fig. 8.
6. Set the Function Dial (C) to the desired position.
7. Set the Timer Dial (D) to desired the position.
8. When food is ready, you should:

- a. Use accessory Handle (M) or oven gloves to remove hot food to avoid burning hands.
See fig. 9.
- b. Turn the Timer Dial (D) to "OFF" position and the Temperature Dial (B) to "LOW" position.

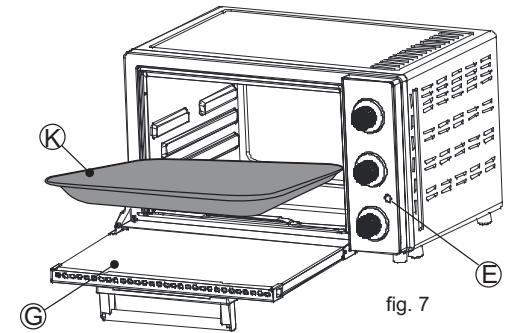


fig. 7

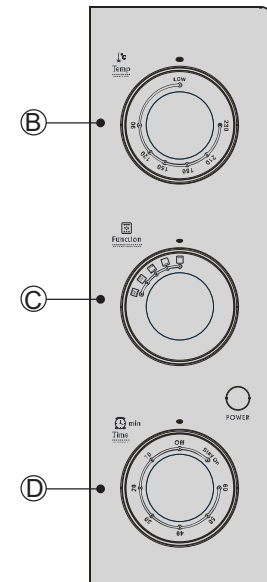


fig. 8

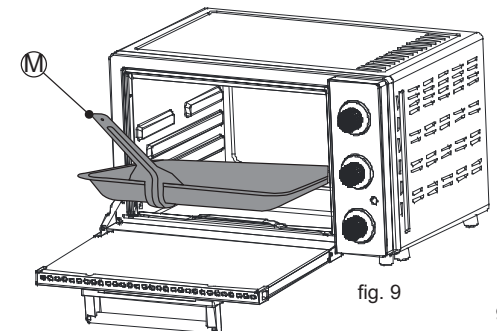


fig. 9

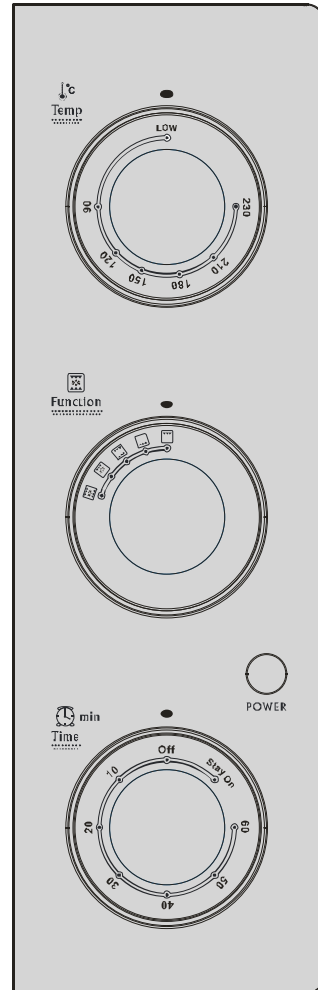
OPERATION

Oven Cooking Guide:

1. Cooking time may vary depending on food ingredients, temperature, mass and portion. Please adjust the recipe cooking times accordingly.
2. If cooking for long periods, cooking times may need to be adjusted. It is advisable to check the food periodically.
3. For more accurate cooking times avoid removing food from oven for extended periods or frequently opening the oven door.

NOTE: Exercise caution when handling items from the oven, use oven gloves to avoid burning hands and place items removed onto heat resistant surfaces.

fig. 10



CARE AND CLEANING



NOTE:

Always Unplug and allow to cool before cleaning

CLEANING

1. Wipe surfaces with a damp sponge, cloth or nylon scouring pad and mild detergent. Do not use steel wool scouring pads or abrasive cleaners or scrape walls with metal utensils.
2. Wash all accessories in hot soapy water or in a dishwasher. Wipe the door clean with a damp sponge and wipe dry with a paper or cloth towel.
3. Do not use an abrasive cleaner or steel wool scouring pad on the Food Tray as it may damage the porcelain enamel finish.
4. Dry all parts and surfaces thoroughly before plugging in the oven and using it.

TO STORE

- Unplug unit, allow to cool and clean before storing. Never wrap cord tightly around the appliance, use the Cord Storage area on the back of the oven. Do not strain on the cord where it enters the unit, as it could damage the cord.

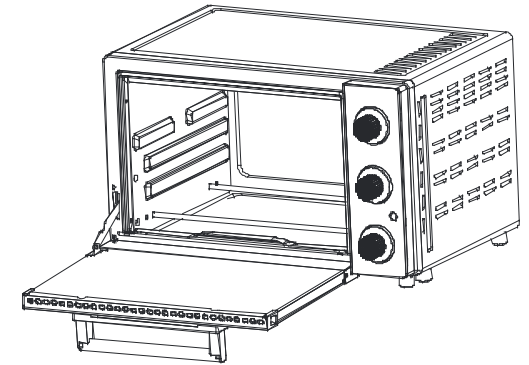


fig. 11

SPECIFICATIONS

Technical Data

Power Consumption	220-240V~50Hz
Output	1500W
Electric Oven Capacity	25 Litres

Connecting to Power

Check that the voltage marked on the product corresponds with your supply voltage. This product is fitted with a 13A plug complying with BS1363. If this plug is unsuitable or needs to be replaced, please note the following :

Plug Replacement

If you need to replace the fitted plug.



WARNING :

Never connect live or neutral wires to the earth terminal of the plug. Only fit an approved 13 Amp BS1363/A plug and the correct rated fuse. If in doubt, consult a qualified electrician.

IMPORTANT

This unit is a Class 1 Appliance and must be fitted with an Earthed Plug fitted with a 13A fuse.

The wires in this mains lead are coloured as follows:

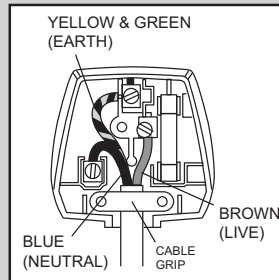
Yellow & Green-Earth

Blue-Neutral

Brown-Live

As the colours of the wires in the mains lead of this apparatus may not correspond with the coloured markings identifying the terminals in your plug, proceed as follows:

The wire which is Coloured Yellow & Green must be connected to the terminal which is marked E or coloured Yellow or Green. The wire which is coloured blue must be connected to the terminal which is marked with N or coloured blue. The wire which is coloured brown must be connected to the terminal which is marked L or coloured brown. Always ensure that the plug cord grip is fastened correctly. If a 13A (BS1363) fused plug is used it must be fitted with a 13A fuse conforming to BS1362 and be ASTA approved. If in doubt contact a qualified electrician.



WASTE ELECTRICAL PRODUCTS SHOULD NOT BE DISPOSED OF WITH HOUSEHOLD WASTE. PLEASE RECYCLE WHERE FACILITIES EXIST. CHECK WITH YOUR LOCAL AUTHORITY FOR RECYCLING ADVICE.



PRODUCT GUARANTEE

This product is guaranteed against manufacturing defects for a period of



Year

This product is guaranteed for twelve months from the date of original purchase. Any defect that arises due to faulty materials or workmanship will either be replaced, refunded or repaired free of charge where possible during this period by the dealer from whom you purchased the unit.

The guarantee is subject to the following provisions:

- The guarantee does not cover accidental damage, misuse, cabinet parts, knobs or consumable items.
- The product must be correctly installed and operated in accordance with the instructions contained in this manual.
- It must be used solely for domestic purpose.
- The guarantee will be rendered invalid if the product is re-sold or has been damaged by inexpert repair.
- Specifications are subject to change without notice.
- The manufacturer disclaims any liability for the incidental or consequential damages.
- The guarantee is in addition to, and does not diminish your statutory or legal rights.

Guarantor: Argos Ltd
489 - 499 Avebury Boulevard
Central Milton Keynes
MK9 2NW