

COOKWORKS

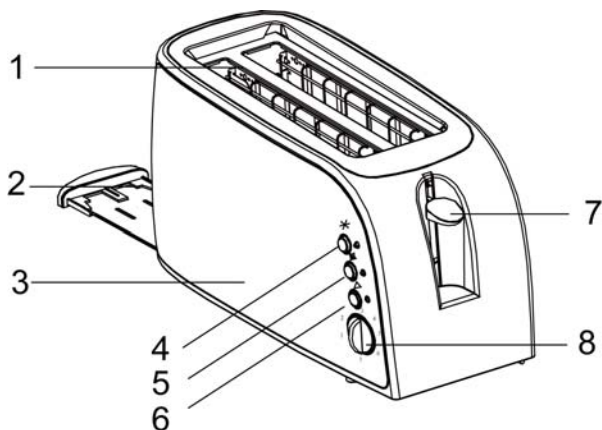
4 SLICE TOASTER INSTRUCTION MANUAL



IMPORTANT SAFETY WARNINGS

- Read all the instructions carefully before using.
- To protect against electric shock, do not immerse the toaster in water or any other liquid.
- Never leave the toaster unattended while in use.
- Never insert metal objects into toasting slots to avoid hazard.
- Never attempt to remove bread that has become jammed in the toasting slots without first removing plug from socket.
- Extra care and supervision must be taken when using the appliance near children or when being used by children.
- Keep the power cord away from hot surface.
- Bread may burn. Therefore toaster must not be used near or below curtains and other combustible materials. They must be watched.
- Never attempt to touch the internal parts with knife or sharp tool as it may cause damage to heating elements.
- If your toaster is dropped, it should not be used until examined by an authorized service center.
- If the supply cord is damaged, it must be replaced by the manufacturer, its service agent or similarly qualified persons in order to avoid a hazard.
- The toaster is intended for household use only.
- This appliance is not intended for use by persons (including children) with reduced physical, sensory or mental capabilities, or lack of experience and knowledge, unless they have been given supervision or instruction concerning use of the appliances by a person responsible for their safety.
- Children should be supervised to ensure that they do not play with the appliance.
- Please retain this instruction manual for further reference.

PRODUCT DESCRIPTION



1. Toasting slots
2. Removable crumb tray
3. Housing
4. Defrost button
5. Reheat button
6. Cancel button
7. Loading lever
8. Browning control

LOCATION

- Always operate this product on a flat horizontal surface.
- Do not operate under or near curtains or other combustible materials. Do not place under cupboards or close to a wall as scorching of wall or cupboard may occur.
- After selecting appropriate location, carefully lay toaster down on protected flat surface to avoid scratching.
- Lay out power cord to desired length and secure excess power cord on underside of toaster.

BEFORE USING YOUR TOASTER

Before using your toaster for the first time, set the browning knob at maximum setting and activate the toaster without bread for two times. This will prevent the unpleasant smells when toasting bread.

USING YOUR TOASTER

- Select the desired browning setting, from No.1 to No.7 on the browning control knob. (No.1-lightest, No.7-darkest).
When using the toaster for the first time we suggest you toast on number 3. Varying types of bread and personal preference may require different browning setting.
- Press the loading lever down until it clicks into place. Toasting cycle will automatically commence.
Please note: if the toaster is not plugged in and switched on at the power point the loading lever will not click into place.
- The toaster turns off when the desired toast color is achieved and automatically raises the toast. The toasting process can be stopped

at any time by pressing the cancel button.

- In the unlikely event that the bread or crumpet becomes jammed, switch the toaster off at the power outlet, remove the plug from the supply socket and carefully ease the bread out of the toaster, ensuring that you do not damage the element.

TOASTING FROZEN BREAD

- To toast frozen bread, place the bread into the bread slots and select the desired browning setting. Press the loading lever down until it clicks into place then press the Frozen Button.

REHEATING TOAST

- The toaster allows you to reheat toast without additional toasting. To reheat, place toast into bread slots, lower the loading lever until it clicks into place and press the Reheat Button.

HINTS

- If the toast is too dark, use a lower toast setting.
- Dry bread will require a lower setting than normal.
- Thick bread, fresh or whole wheat bread will require a higher setting than normal.
- Remove any loose fruit before toasting to prevent pieces falling into the toaster or sticking to the heating element and cause damage.
- Never force bread into the toasting slot. Bread should fit freely between the bread guards.
- Uneven toasting is usually due to bread slices of uneven thickness.

CLEANING

- Before cleaning ensure power is switched off at mains and plug has been removed.

- Wait until your toaster has cooled down completely before cleaning.
- Clean the outer surface with a soft damp cloth only.
- It is important that crumbs are not allowed to build up inside the base of the toaster.
- Crumbs can be removed by simply sliding out the crumb tray at the bottom of the toaster. You can then tip the crumbs out.

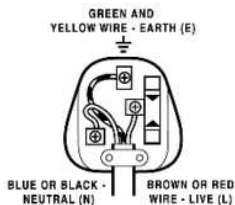
CONNECTION TO POWER

- Before connecting, check that the voltage indicated on the appliance (bottom of the appliance) corresponds with the main voltage in your home. If this is not the case, consult your dealer and do not use.
- This appliance may be fitted with a non-rewirable plug. If you need to change the fuse in a non-rewirable plug, the fuse cover must be refitted. If the fuse cover is lost or damaged, the plug must not be used until a replacement is obtained (available from the appliance manufacturer).
- If the plug has to be changed because it is not suitable for your socket, or becomes damaged, it should be cut off and appropriate plug fitted following the wiring instructions. The plug removed must be disposed of safely as insertion into a mains socket is likely to cause an electrical hazard.
- This unit must be earthed. This equipment must be disconnected from the mains when not in use. Do not allow this unit to be exposed to rain or moisture.

For your own safety read the following instructions carefully before attempting to connect this unit to the mains.

You should only plug the appliance into a 230V-240V AC, 50Hz

supply. Connecting it to other power sources may damage the appliance.



The wires in this mains lead are colored in accordance with the following code:

BLUE = NEUTRAL
BROWN = LIVE
GREEN + YELLOW = EARTH

IMPORTANT

The colors of the wires in the mains lead of this appliance may not correspond with the colored markings identifying the terminals in your plug, proceed as follows:



Caution

To prevent electric shock disconnect from the mains before removing the cover

- The blue wire must be connected to the terminal marked with the letter N or colored black.
- The brown wire must be connected to the terminal marked with the letter L or colored red.
- The green and yellow wire must be connecting to the terminal marked with the letter E or the earth symbol. (\perp).

If a 13 Amp (BS1363) fused plug is used it must be fitted with a 13A fuse conforming to BS1362 and be ASTA approved.

If in doubt contact a qualified electrician

DISPOSAL INFORMATION



Waste electrical products should not be disposed of with household waste. Please recycle where facilities exist. Check with your local authority for recycling advice.



GUARANTEE

This product is guaranteed against manufacturing defects for a period of

1 year

This does not cover the product where the fault is due to misuse, abuse, use in contravention of the instructions, or where the product has been the subject of unauthorised modifications or alterations, or has been the subject of commercial use

In the event of a problem with the product within the guarantee period please return it to your nearest Argos store

If the item is shown to have had an inherent defect present at the time of sale, the store will provide you with a replacement

Your statutory rights remain unaffected

Guarantor; Argos Ltd
489 – 499 Avebury Boulevard
Central Milton Keynes
MK9 2NW