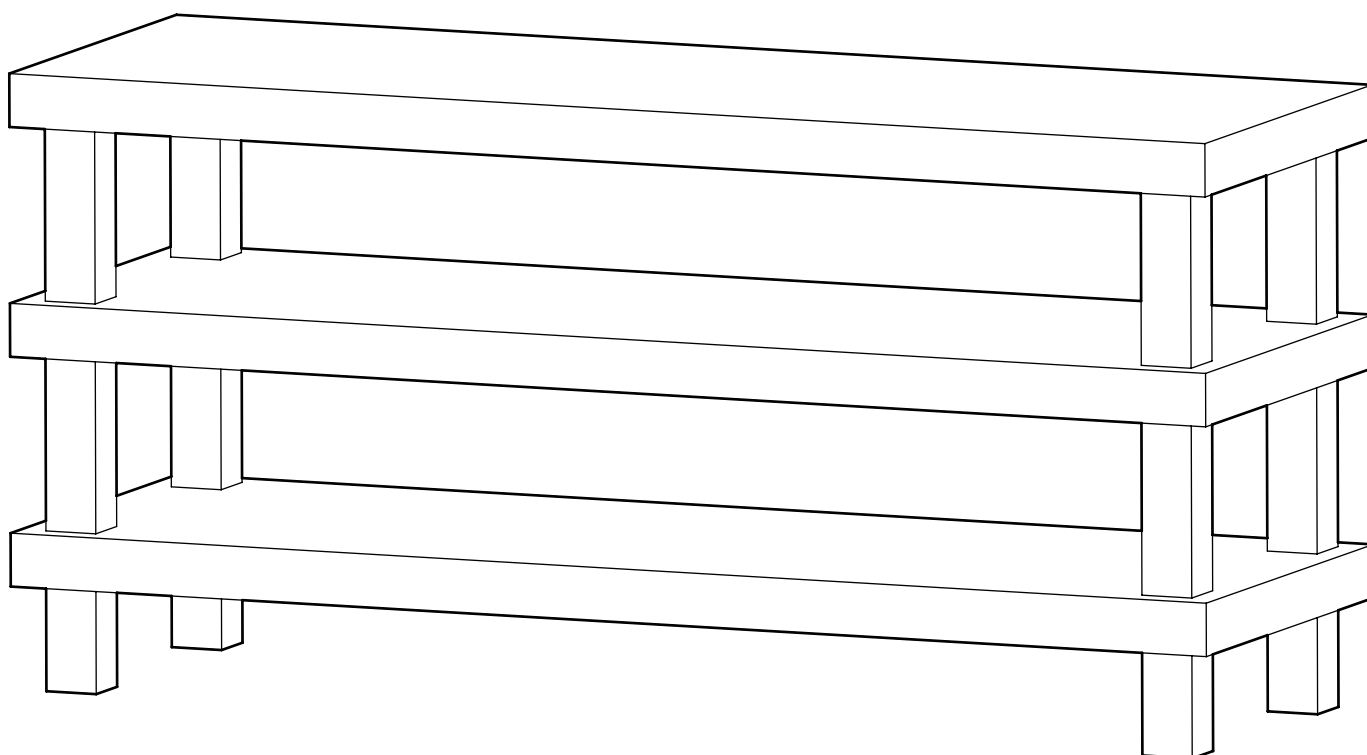


Chunky TV Unit

Assembly Instructions - Please keep for future reference

418/5897



Dimensions

Width - 120cm

Depth - 40cm

Height - 58cm

Important - Please read these instructions fully before starting assembly

If you need help or have damaged or missing parts, call the **Customer Helpline: 0345 6400800**



Safety and Care Advice

Important - Please read these instructions fully before starting assembly

- Check you have all the components and tools listed on the following pages.
- Remove all fittings from the plastic bags and separate them into their groups.
- Keep children and animals away from the work area, small parts could choke if swallowed.
- Make sure you have enough space to layout the parts before starting.

- During assembly do not stand or put weight on the product, this could cause damage.
- Assemble the item as close to its final position (in the same room) as possible.
- Assemble on a soft level surface to avoid damaging the unit or your floor.
- Parts of the assembly will be easier with 2 people.



- We do not recommend the use of power drill/ drivers **for inserting screws**, as this could damage the unit. Only use hand screwdrivers.

Care and maintenance

- Only clean using a damp cloth and mild detergent, do not use bleach or abrasive cleaners.
- From time to time check that there are no loose screws on this unit.
- This product should not be discarded with household waste. Take to your local authority waste disposal centre.

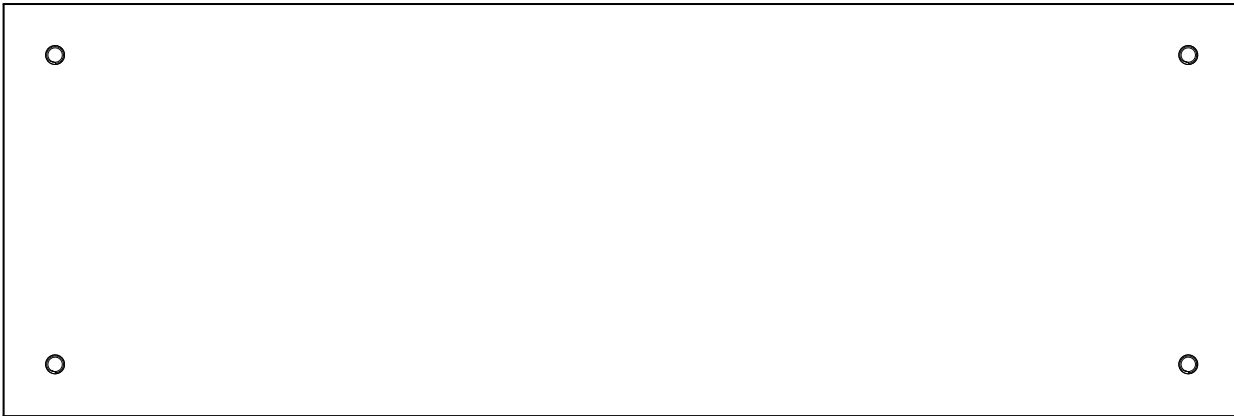
Handy Hints

- Assemble all parts and bolts loosely during assembly, only once the product is complete should you fully tighten the bolts
- Regularly check and ensure that all bolts and fittings are tightened properly.

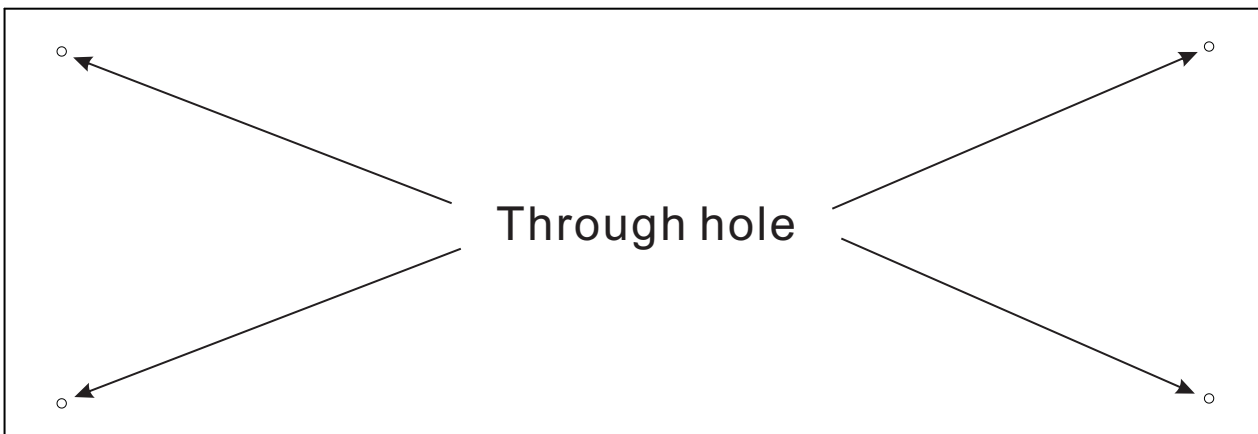
Components - Panels

If you have damaged or missing components, call the **Customer Helpline:0345 6400800**

Please check you have all the panels listed below



1 Top (120 x 40cm)

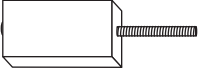




2 Shelf (120 x 40cm) X 2

Components - Fittings

Please check you have all the fittings listed below

Note: The quantities below are the correct amount to complete the assembly. In some cases more fittings may be supplied than are required.

<p>A  Foot x 4</p>	<p>B  Post with short bolt x 4</p>	<p>C  Post with long bolt x 4</p>
--	--	---

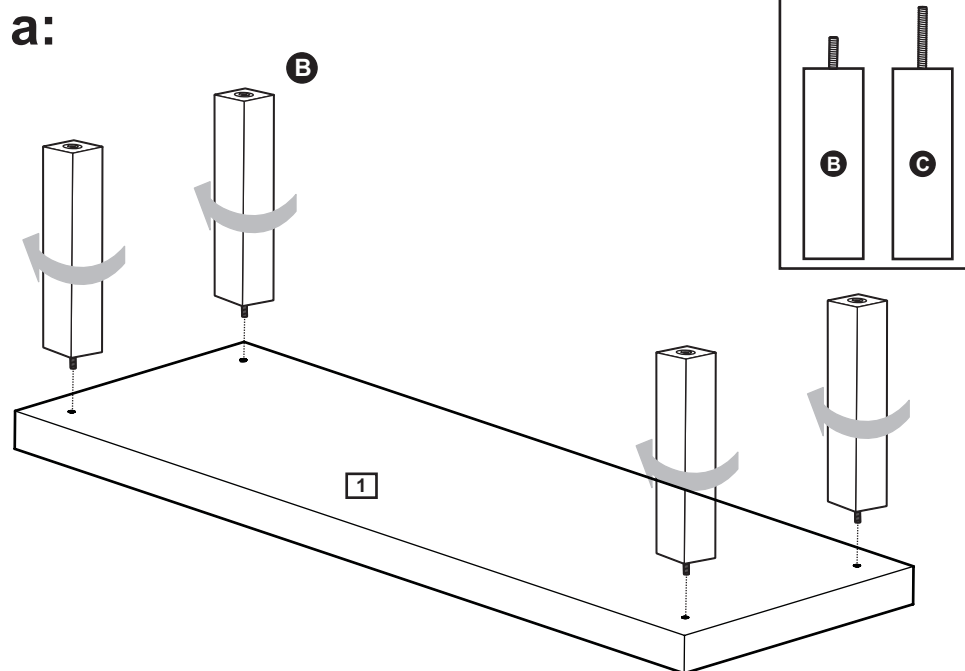
Assembly Instructions

Step 1

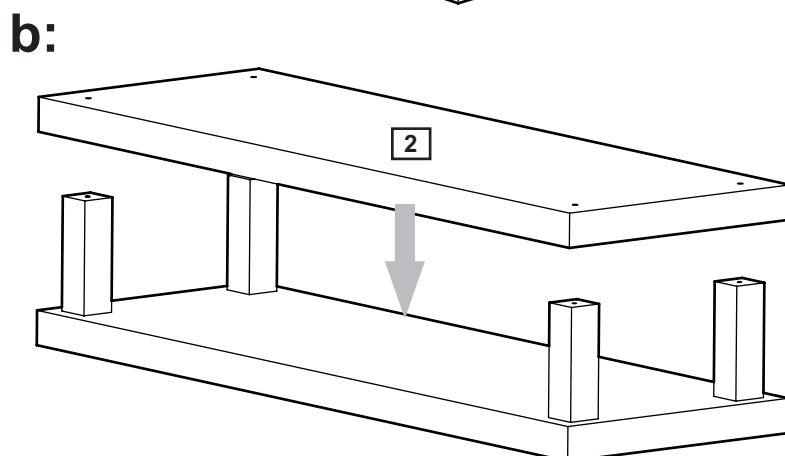
Fitting the legs

Note: It would be useful to ask someone to help you at this stage.

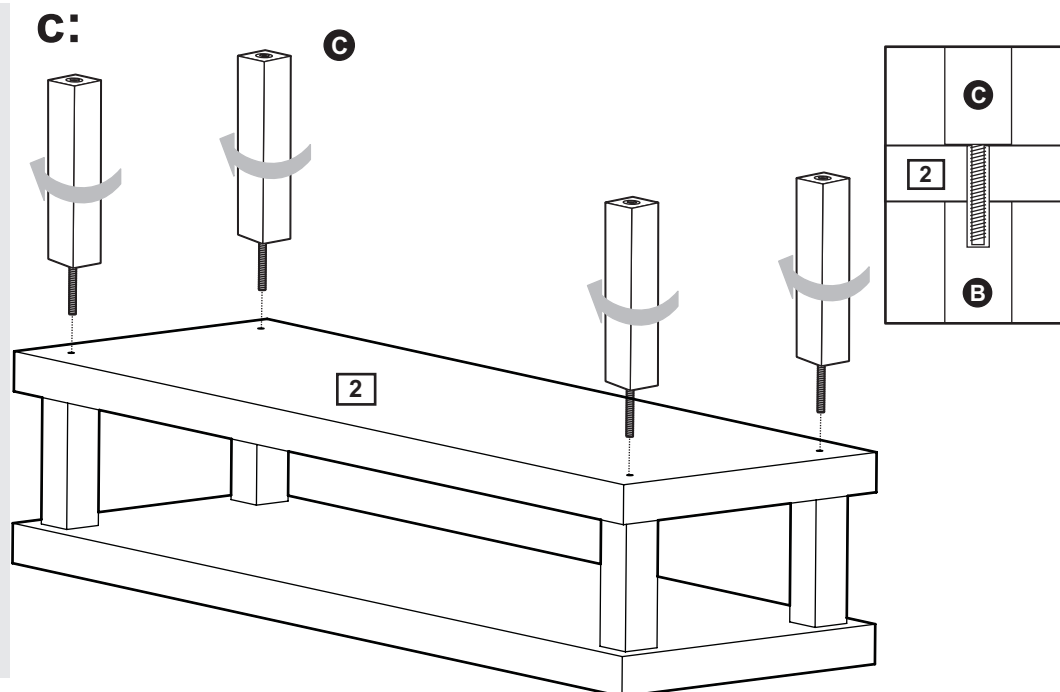
a: Screw in the post with short bolt **B** into Top panel **1**.



b: Put the shelf panel **2** onto unit.



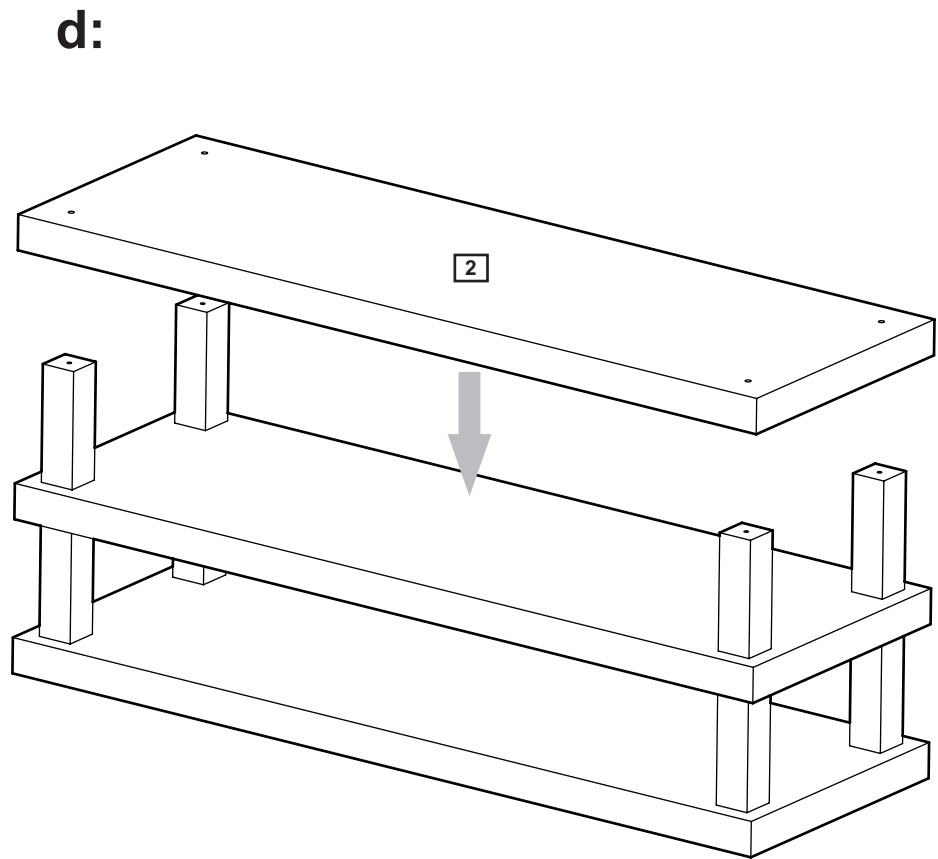
c: Fit Shelf **2** onto the unit, by screw in the post with long bolt **C**.



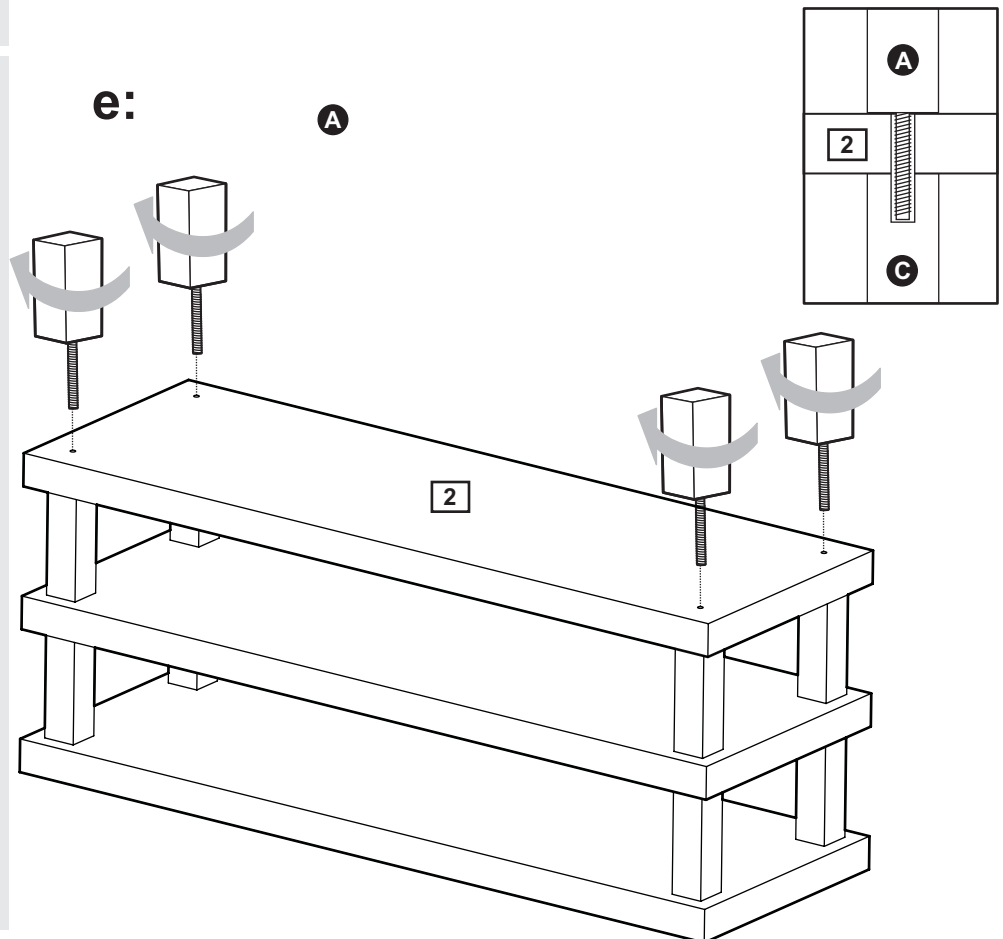
Assembly Instructions

Step 1

d: Put the shelf panel **2** onto unit again.



e: Screw in Foot **A** into Shelf panel **2**.



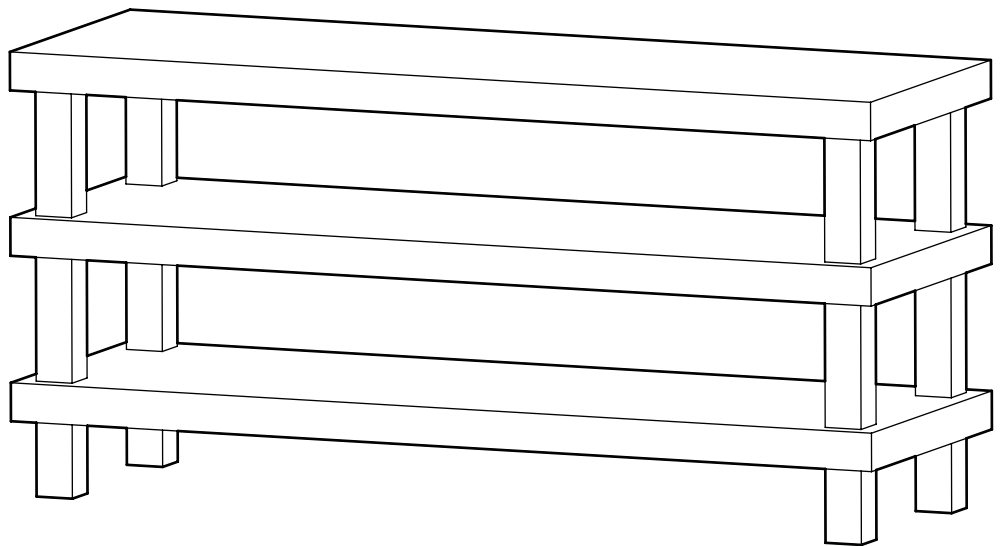
Assembly Instructions

Step 2

Finishing the unit

Turn the unit upright and place in the desired location.

Note: Before use always make sure the unit is secure.



Assembly is complete.

If you need help or have damaged or missing parts, call the **Customer Helpline : 0345 6400800**