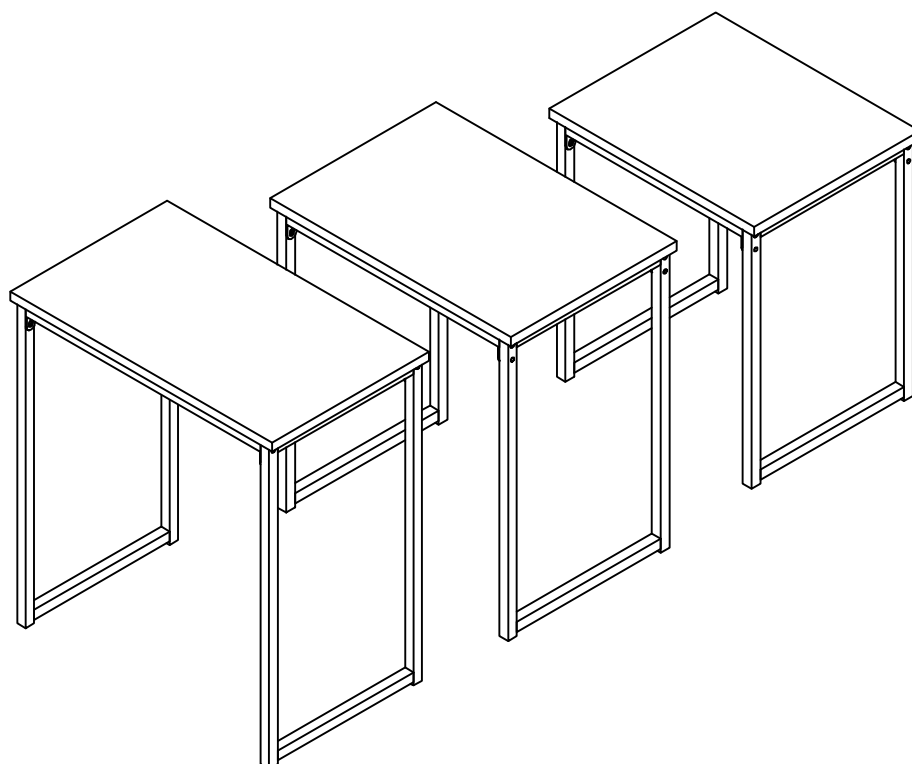


3Pc Nest of Tables

Assembly Instructions Please keep for future reference

417/8873



Dimensions

Large	Medium	Small
Width - 50 cm	Width - 43.5cm	Width - 37cm
Depth - 30cm	Depth - 30cm	Depth - 30cm
Height - 55cm	Height - 48.5cm	Height - 42cm

Important-Please read these instructions fully before starting assembly

If you need help or have damaged or missing parts, call the **Customer Helpline:0345 6400 800**

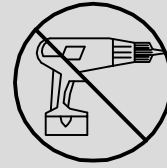


Safety and Care Advice

Important-Please read these instructions fully before starting assembly

- Check you have all the components and tools listed on pages 2 and 3.
- Remove all fittings from the plastic bags and separate them into their groups.
- Keep children and animals away from the work area) small parts could choke if swallowed.
- Make sure you have enough space to layout the parts before starting.
- Do not stand or put excessive weight on the product) this could cause damage.

- Assemble the item as close to its final position (in the same room) as possible.
- Parts of the assembly will be easier with 2 people.
- Dispose of all packaging carefully and responsibly.
- Place the product on flat and steady surface during use.
- Assemble on a soft level surface to avoid damaging the unit or your floor.
- Keep these instructions for further use.



- We do not recommend the use of power drill/drivers for inserting screws,

as this could damage the unit. Only use hand screwdrivers and Allen keys.

- To ensure an easier assembly We strongly advise that all fittings are only finger tightened during initial assembly. Only upon completion of the assembly should all fixing points be fully tightened

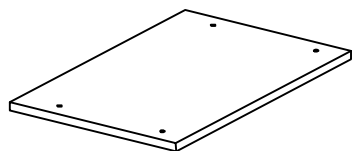
Care and maintenance

- Only clean using a smooth cloth, do not use bleach or abrasive cleaners.
- From time to time check that there are no loose screws on this unit.
- This product should not be discarded with household waste. Take to your local authority waste disposal centre.

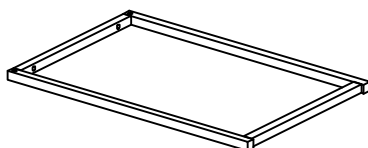
Components - Panels

If you need help or have damaged or missing parts, call the **Customer Helpline:**
0345 6400 800

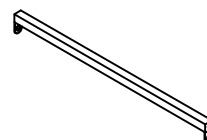
Please check you have all the panels listed below



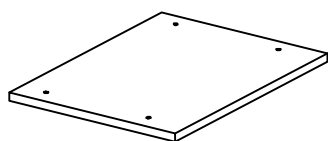
1 Large Table Top
(50x30x1.5cm)



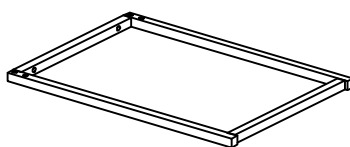
2 Large Side Frame x 2
(29.5x53.5x1.6cm)



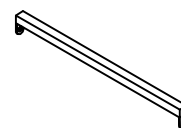
3 Large Stretcher x 2
(45x4.1x1.6cm)



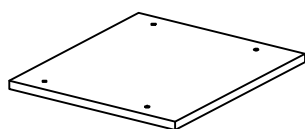
4 Medium Table Top
(43.5x30x1.5cm)



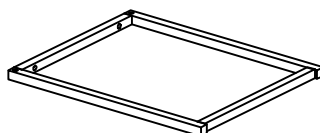
5 Medium Side Frame x 2
(29.5x47x1.6cm)



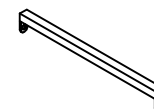
6 Medium Stretcher x 2
(38.5x4.1x1.6cm)



7 Small Table Top
(37x30x1.5cm)



8 Small Side Frame x 2
(29.5x40.5x1.6cm)







9 Small Stretcher x 2
(32x4.1x1.6cm)

Components - Fittings

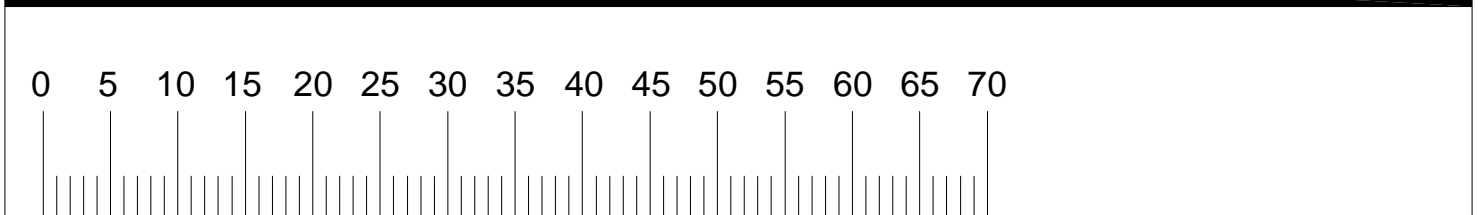
If you need help or have damaged or missing parts, call the **Customer Helpline:**
0345 6400 800

Please check you have all the fittings listed below

Note: The quantities below are the correct amount to complete the assembly.
In some cases more fittings may be supplied than are required.

<p>A</p>  <p>12mm Allen screw x 12</p>	<p>B</p>  <p>25mm Allen screw x 12</p>	<p>C</p>  <p>35mm Allen screw x 12</p>
<p>D</p>  <p>Allen Key x 1</p>		

Ruler - Use this ruler to help correctly identify the screws



Assembly Instructions

Step 1

Assembling frame

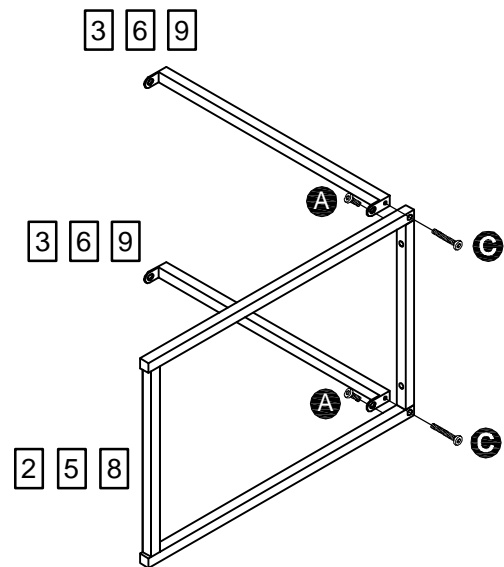
With help, assemble large stretchers **3** to one large side frame **2** using screws **A** and **C**.

Note: Short screws **A** are used on the inside. Long screws **C** from the outside.

Repeat for the medium table using medium stretchers **6** and one medium side frame **5**

Repeat for the small table using small stretchers **9** and one small side frame **8**

Note: Do not fully tighten screws at this stage.

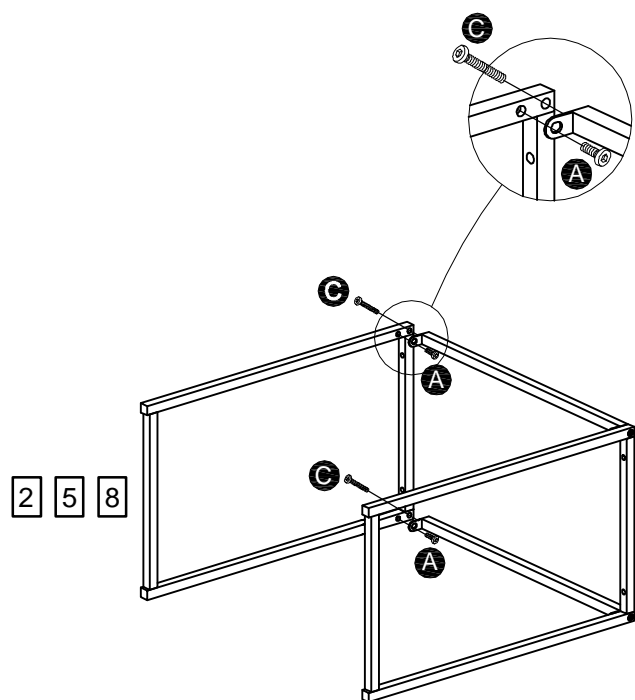


Step 2

Assembling frame

Assemble remaining side frames **2**, **5** and **8** to the relevant assemblies from Step 1

Note: Do not fully tighten screws at this stage.



Assembly Instructions

Step 3

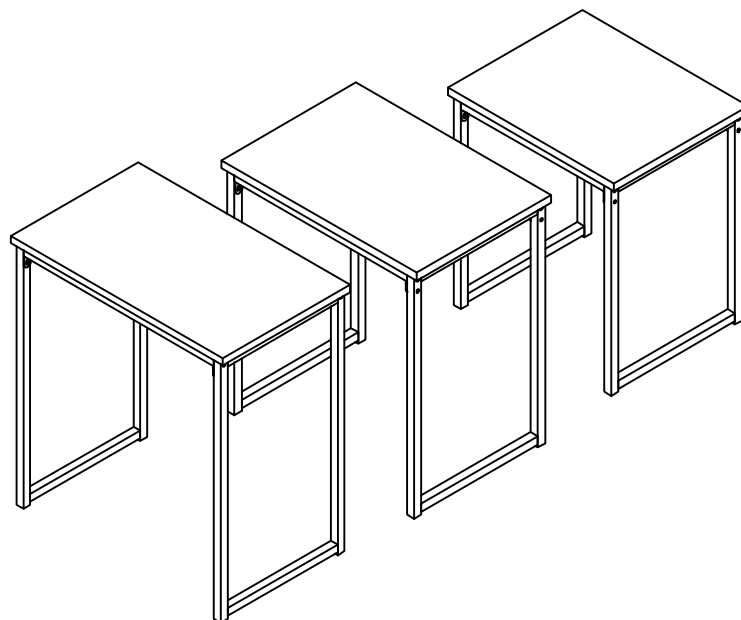
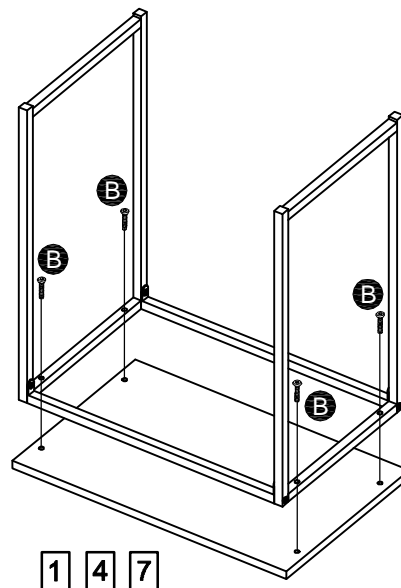
Assembling tops

Place tops **1**, **4** and **7** flat on the floor with the fixing holes facing up.

Align the corresponding metal frames and secure using screws **B**.

Tighten all fixings from previous steps, but do not overtighten.

Turn the tables upright and nest together.



Assembly is complete.

If you need help or have damaged or missing parts, call the **Customer Helpline: 0345 6400 800**
Home Retail Group, 489-499 Avebury Boulevard, Saxon Gate West, Central Milton Keynes, MK9 2NW.