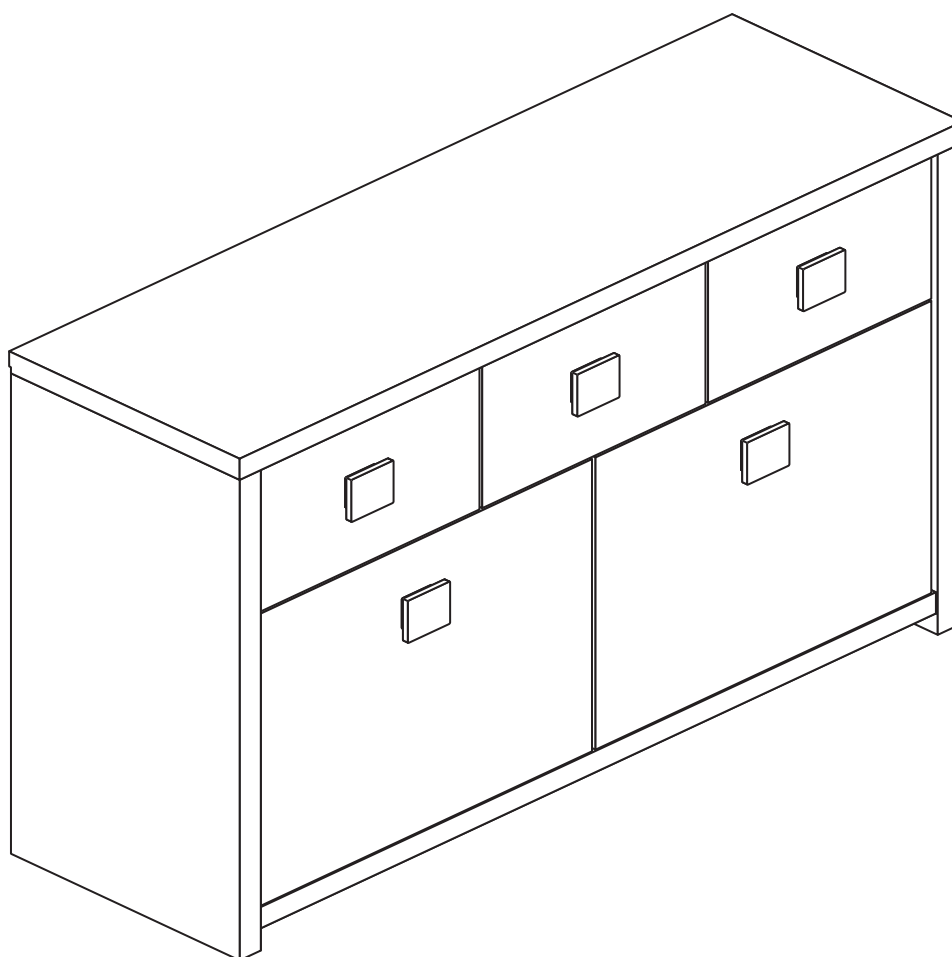


# Eden - 3+2 Sideboard

Assembly Instructions - Please keep for future reference

391/7066

414/4034



## Dimensions

Width - 119.5cm

Depth - 38.1cm

Height - 83.2cm



**MADE IN  
BRITAIN**

**Important** - Please read these instructions fully before starting assembly

If you need help or have damaged or missing parts, please visit [www.argos-support.co.uk](http://www.argos-support.co.uk) or email: [Help@ClickSpares.co.uk](mailto:Help@ClickSpares.co.uk) (quoting your original order number)

Alternatively, call the Spares Helpline on: 0370 112 1928.

For any other queries please contact the Customer Helpline on: 0345 640 2020



# Safety and Care Advice

**Important - Please read these instructions fully before starting assembly**

- **Warning:** This unit weighs approximately 42kgs. Please lift with care.
- Check you have all the components and tools listed on pages 2 and 3.
- Remove all fittings from the plastic bags and separate them into their groups.
- Keep children and animals away from the work area, small parts could choke if swallowed.
- Parts of the assembly will be easier with 2 people.

- Make sure you have enough space to layout the parts before starting.
- Do not stand or put weight on the product, this could cause damage.
- Assemble the item as close to its final position (in the same room) as possible.
- Assemble on a soft level surface to avoid damaging the unit or your floor (use opened out unit carton).



• We do not recommend the use of power drill/drivers **for inserting screws**, as this could damage the unit. Only use hand screwdrivers.

- **Safety note:** It is recommended that this unit is secured to a wall using the overbalance protector kit supplied or, an alternative fixing method of your choice.
- Dispose of all packaging carefully and responsibly.

## Care and maintenance

- Only clean using a damp cloth and mild detergent, do not use bleach or abrasive cleaners.
- From time to time check that there are no loose screws on this unit.
- This product should not be discarded with household waste. Take to your local authority waste disposal centre.

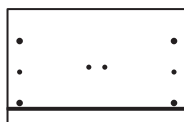
## Components - Panels

If you need help or have damaged or missing parts, please visit [www.argos-support.co.uk](http://www.argos-support.co.uk) or email: [Help@ClickSpares.co.uk](mailto:Help@ClickSpares.co.uk) (quoting your original order number) Alternatively, call the Spares Helpline on: 0370 112 1928. For any other queries please contact the Customer Helpline on: 0345 640 2020

Please check you have all the panels listed below



**1** Drawer Front (DF3047)  
(36.9 x 24cm) x 2



**2** Middle Drawer Front (DF3048)  
(36.9 x 24cm)



**3** Left Drawer Side (W330-195LH)  
(33 x 19.5cm) x 3



**4** Right Drawer Side (W330-195RH)  
(33 x 19.5cm) x 3



**5** Drawer Back (W342-195)  
(34.2 x 19.5cm) x 2



**6** Middle Drawer Back (W306-195)  
(30.6 x 19.5cm)



**7** Drawer Base (T353-327)  
(35.3 x 32.7cm) x 2



**8** Middle Drawer Base (T317-327)  
(31.7 x 32.7cm)

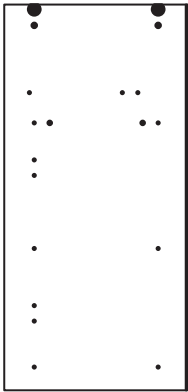
# Components - Panels

If you need help or have damaged or missing parts, please visit [www.argos-support.co.uk](http://www.argos-support.co.uk) or email: [Help@ClickSpares.co.uk](mailto:Help@ClickSpares.co.uk) (quoting your original order number)

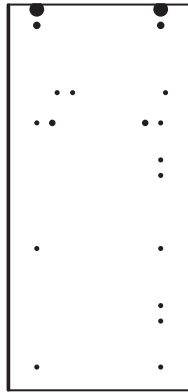
Alternatively, call the Spares Helpline on: 0370 112 1928.

For any other queries please contact the Customer Helpline on: 0345 640 2020

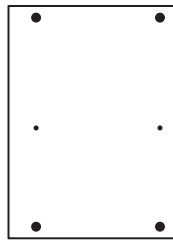
Please check you have all the panels listed below



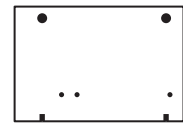
**9** Left Side (DF4322)  
(79.7 x 37.8cm)



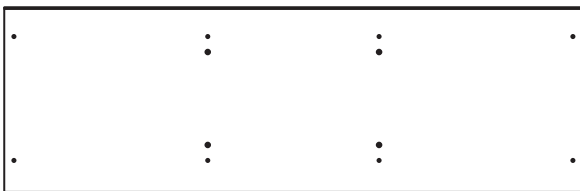
**10** Right Side (DF4321)  
(79.7 x 37.8cm)



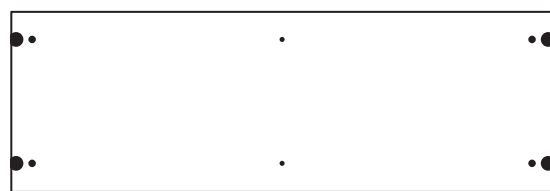
**11** Bottom Divider (DF4015)  
(48 x 34.9cm)



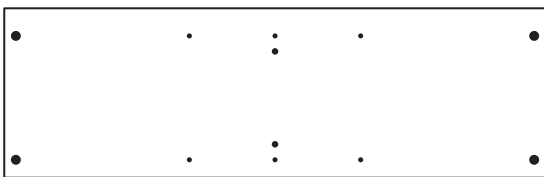
**12** Top Divider (DF1241)  
(23.7 x 34.9cm) x 2



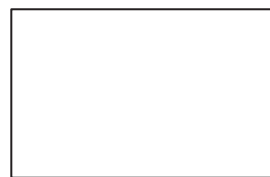
**13** Top (DF3043)  
(119.5 x 38.1cm)



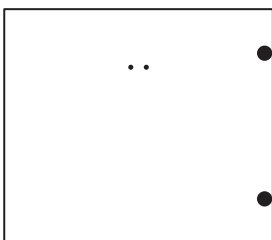
**14** Base (DF4323)  
(111.9 x 37.2cm)



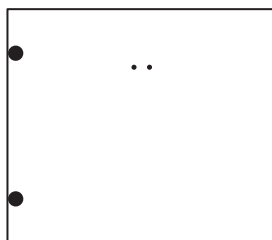
**15** Horizontal Divider (DF3045)  
(111.9 x 35cm)



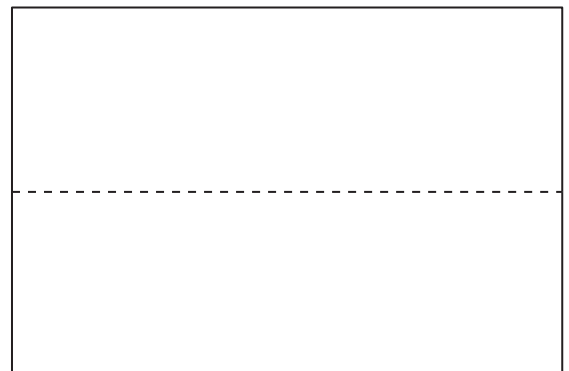
**16** Shelf (DF4014)  
(55.2 x 34.8cm) x 2



**17** Left Door (DF4324)  
(48.3 x 55.5cm)



**18** Right Door (DF4013)  
(48.3 x 55.5cm)



**19** Back (X1137-762)  
(113.7 x 76.2cm)



# Components - Fittings

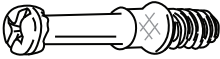


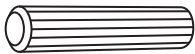



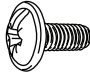



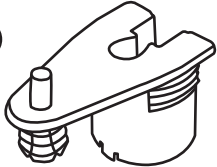


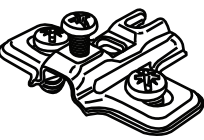
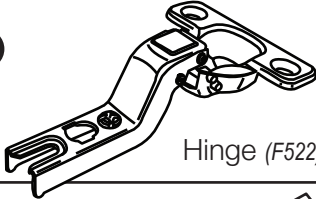
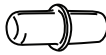
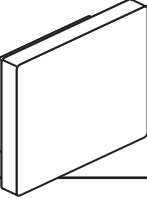
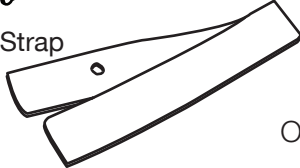


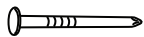
If you need help or have damaged or missing parts, please visit [www.argos-support.co.uk](http://www.argos-support.co.uk) or email: [Help@ClickSpares.co.uk](mailto:Help@ClickSpares.co.uk) (quoting your original order number)

Alternatively, call the Spares Helpline on: 0370 112 1928.

For any other queries please contact the Customer Helpline on: 0345 640 2020

Please check you have all the fittings listed below

**Note:** The quantities below are the correct amount to complete the assembly. In some cases more fittings may be supplied than are required.

<p><b>A</b> </p> <p>Metal dowel (F901) x 18</p>	<p><b>B</b> </p> <p>Large locking nut (F900) x 12</p>	<p><b>C</b> </p> <p>Small locking nut (F3) x 6</p>
<p><b>D</b> </p> <p>Wooden dowel (F22) x 10</p>	<p><b>E</b> </p> <p>Knock-in Peg (F1716Y) x 12</p>	<p><b>F</b> </p> <p>Wedgifix (F639) x 6</p>
<p><b>G</b> </p> <p>19mm Screw (F461) x 10</p>	<p><b>H</b> </p> <p>9mm Screw (F74) x 6</p>	<p><b>I</b> </p> <p>9mm Screw (F73) x 12</p>
<p><b>J</b> </p> <p>13mm Screw (F63) x 8</p>	<p><b>K</b> </p> <p>Small metal dowel (F893) x 8</p>	<p><b>L</b> </p> <p>Hollow core locking nut (F892) x 8</p>
<p><b>M</b> </p> <p>40mm Screw (F910) x 4</p>	<p><b>N</b> </p> <p>Drawer runner (F1004) x 6</p>	
<p><b>O</b> </p> <p>Hinge plate (F523) x 4</p>	<p><b>P</b> </p> <p>Hinge (F522) x 4</p>	<p><b>Q</b> </p> <p>Shelf stud (F110) x 8</p>
<p><b>R</b> </p> <p>Handle (F414) x 5</p>	<p><b>S</b>   </p> <p>Strap <span style="margin-left: 100px;">Screw</span> <span style="margin-left: 100px;">Washer x 2</span></p> <p>Overbalance protector kit (F269) x 1</p>	
<p><b>T</b> </p> <p>Nail (F51) x 25</p>		

Ruler - Use this ruler to help correctly identify the screws



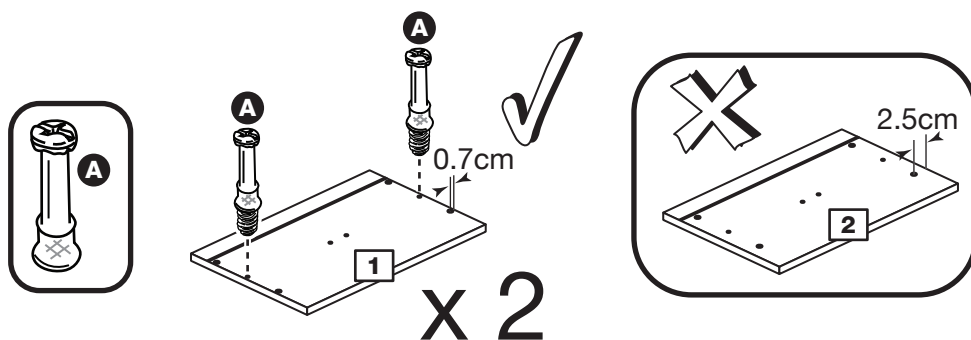
# Assembly Instructions

## Step 1

### Prepare the 2 drawer fronts

Screw 2 metal dowels **A** into each of the drawer fronts **1**.

**Note:** Tighten the metal dowels up fully against the panels.

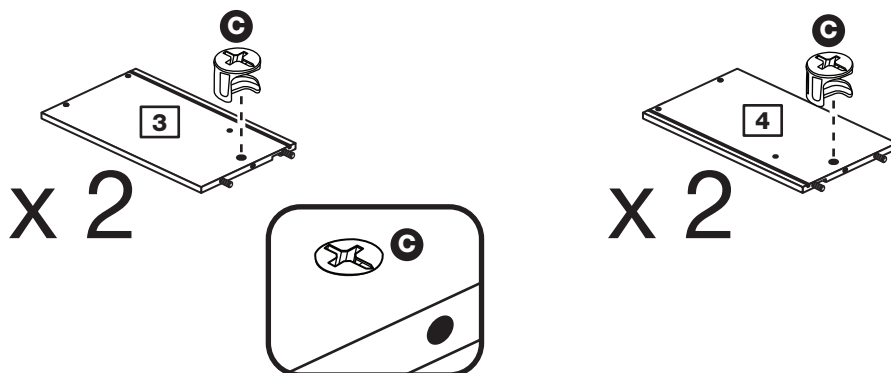


## Step 2

### Prepare 2 pairs of drawer sides

Insert a small locking nut **C** into the hole shown on the left drawer side **3** and the right drawer side **4**.

**Note:** The arrow on the locking nut **must** point towards the hole in the edge of the panel.



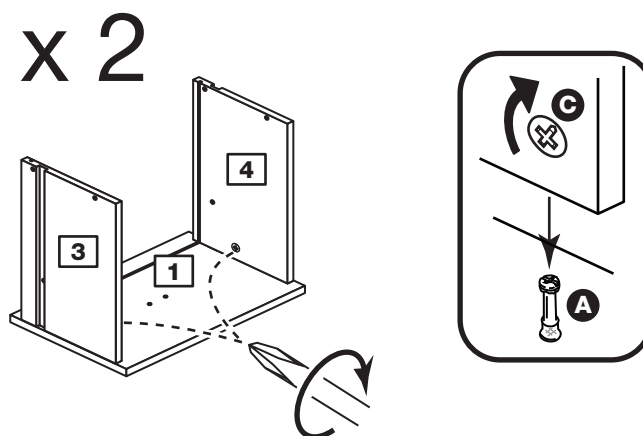
## Step 3

### Attach the drawer sides to the drawer front

Push the left drawer side **3** and right drawer side **4** onto the back of the drawer front **1**.

Turn the small locking nuts **C** on the left drawer side **3** and right drawer side **4**.

**Note:** Turn the locking nuts **C** clockwise to secure panels - more than 1/2 a turn.

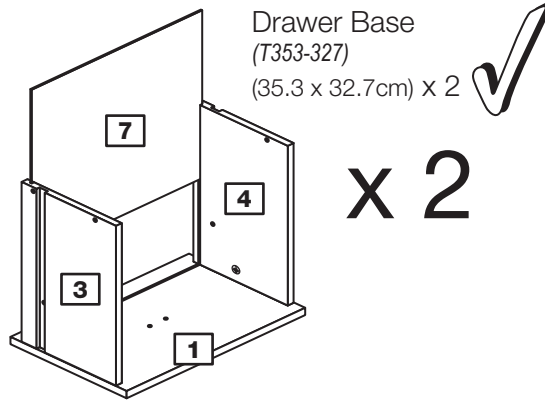


# Assembly Instructions

## Step 4

### Fit the drawer base

Slide the drawer base **7** down the grooves in the drawer sides **3** and **4** and down into the groove in the drawer front **1**.



~~X~~ Middle Drawer Base (T317-327) (31.7 x 32.7cm)

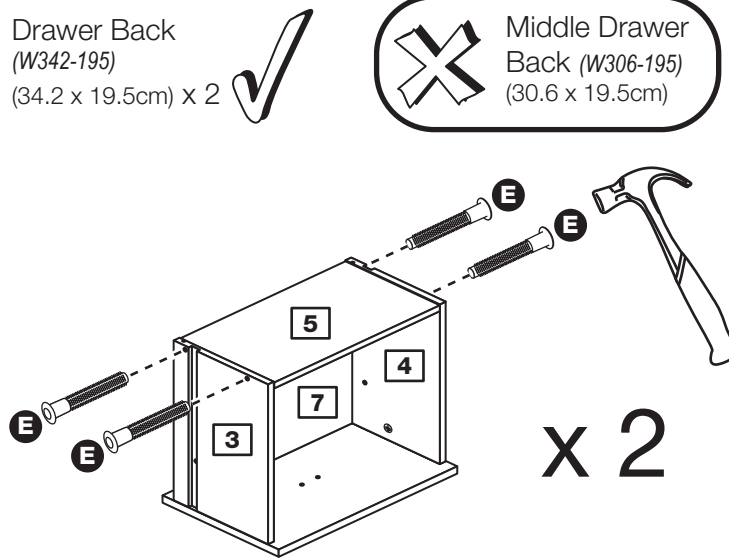
x 2

## Step 5

### Fit the drawer back

Fit the drawer back **10** between the drawer sides **3** and **4**. Make sure that the drawer base **7** fits into the groove in the drawer back **5**.

Hold the drawer back **5** in position and tap the knock-in pegs **E** through the holes in the drawer sides **3** and **4**.



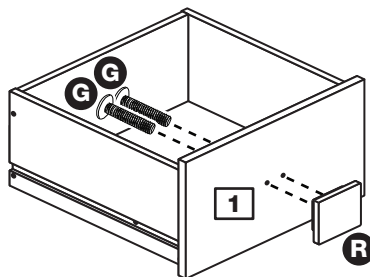
~~X~~ Middle Drawer Back (W306-195) (30.6 x 19.5cm)

x 2

## Step 6

### Attach the handles

Attach the handle **R** to each drawer front **1** using screws **G**.

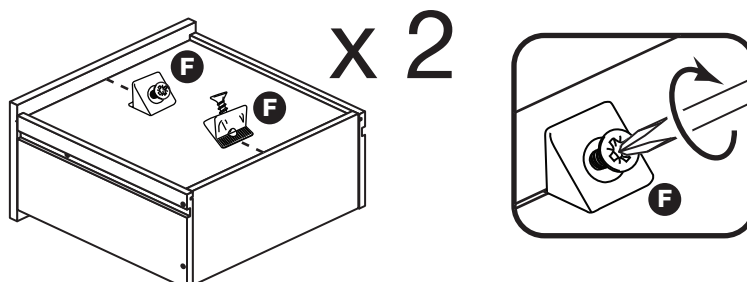


x 2

## Step 7

### Fit the wedgifixes

Turn the 2 drawer assemblies over and slide 2 wedgifixes **F** into the front and back grooves, as shown, and tighten up the screws.



x 2

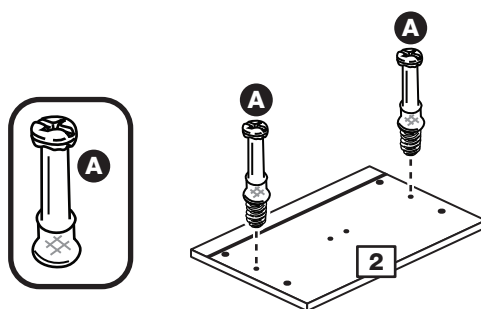
# Assembly Instructions

## Step 8

### Prepare the middle drawer front

Screw 2 metal dowels **A** into the middle drawer front **2**.

**Note:** Tighten the metal dowels up fully against the panels.

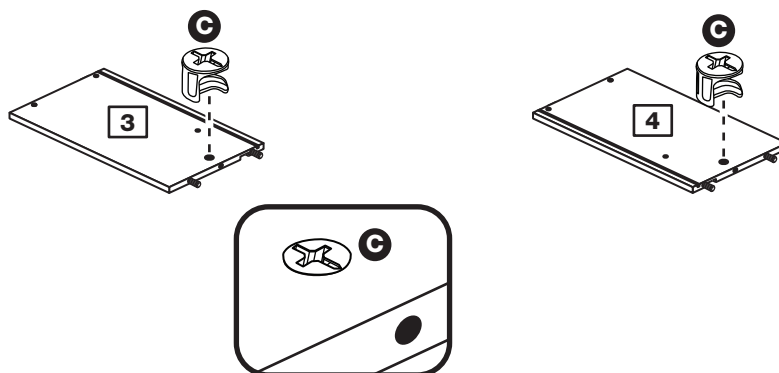


## Step 9

### Prepare the drawer sides

Insert a small locking nut **C** into the hole shown on the left drawer side **3** and the right drawer side **4**.

**Note:** The arrow on the locking nut **must** point towards the hole in the edge of the panel.



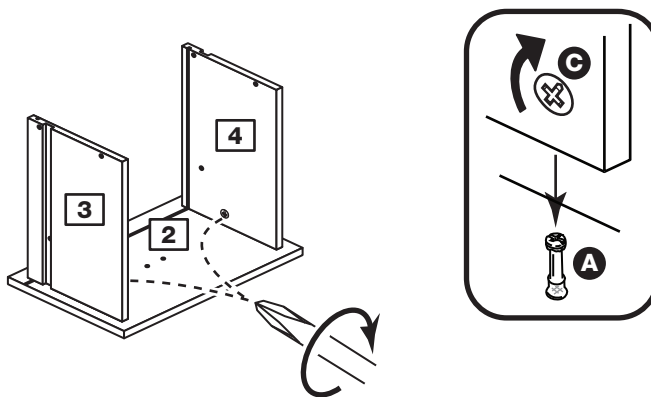
## Step 10

### Attach the drawer sides to the middle drawer front

Push the left drawer side **3** and right drawer side **4** onto the back of the middle drawer front **2**.

Turn the small locking nuts **C** on the left drawer side **3** and right drawer side **4**.

**Note:** Turn the locking nuts **C** clockwise to secure panels - more than 1/2 a turn.

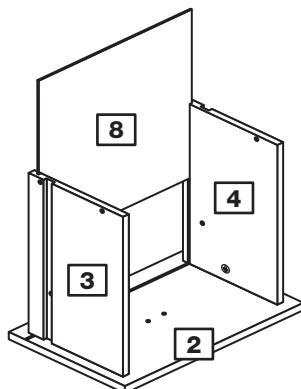


# Assembly Instructions

## Step 11

### Fit the middle drawer base

Slide the middle drawer base **8** down the grooves in the drawer sides **3** and **4** and down into the groove in the middle drawer front **2**.

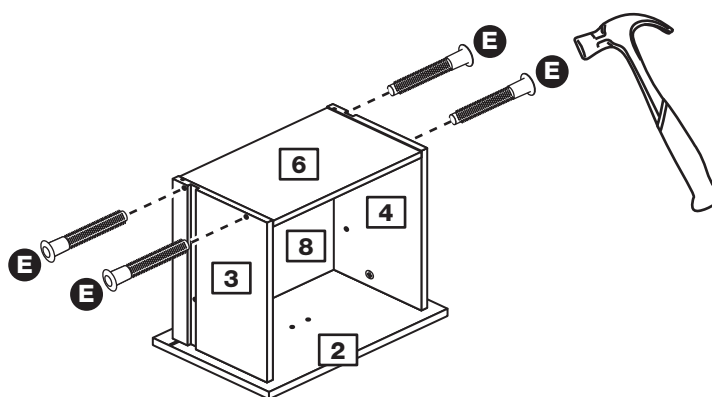


## Step 12

### Fit the drawer back

Fit the middle drawer back **6** between the drawer sides **3** and **4**. Make sure that the middle drawer base **8** fits into the groove in the middle drawer back **6**.

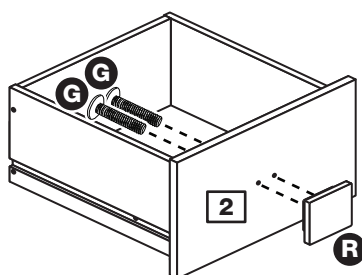
Hold the middle drawer back **6** in position and tap the knock-in pegs **E** through the holes in the drawer sides **3** and **4**.



## Step 13

### Attach the handle

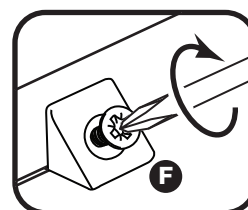
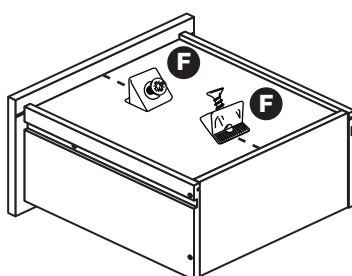
Attach the handle **R** to the middle drawer front **2** using screws **G**.



## Step 14

### Fit the wedgifixes

Turn the middle drawer assembly over and slide 2 wedgifixes **F** into the front and back grooves, as shown, and tighten up the screws.





# Assembly Instructions

## Step 15

### Prepare the horizontal divider

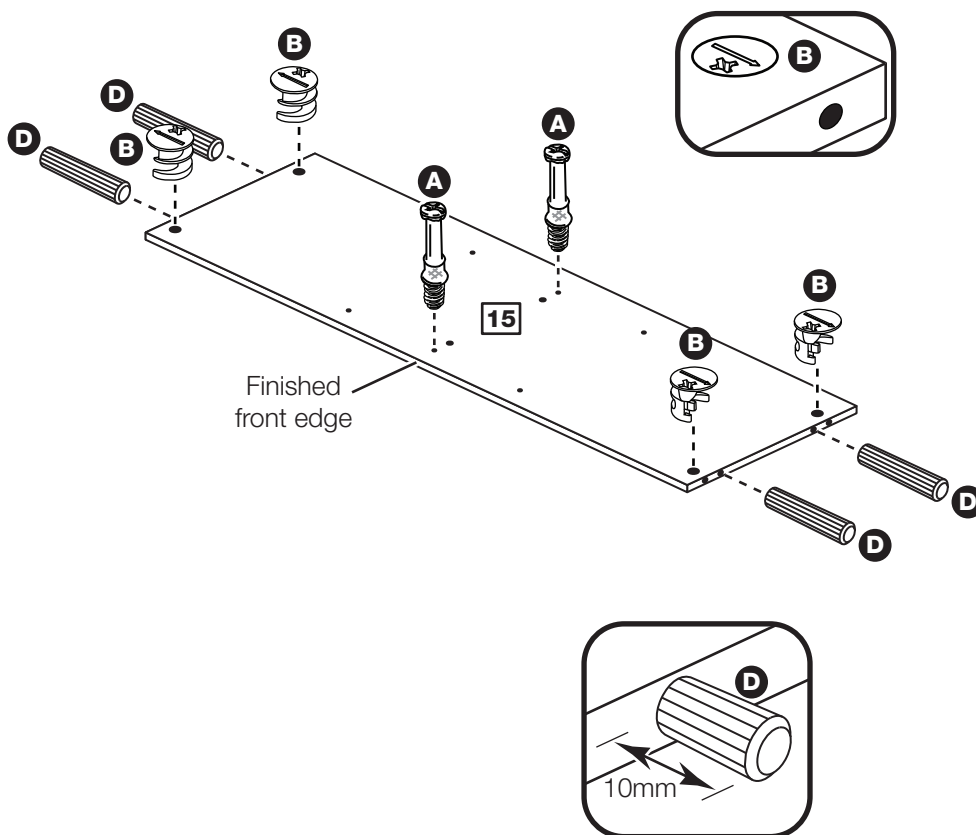
Screw 2 metal dowels **A** into the horizontal divider **15**.

Insert 4 large locking nuts **B** into the horizontal divider **15**.

**Note:** The arrow on the locking nut **must** point towards the hole in the edge of the panel.

Tap 4 wooden dowels **D** into the horizontal divider **15**.

**Note:** Wooden dowels **must not** stick out from the edge by more than 10mm or they may damage other panels.

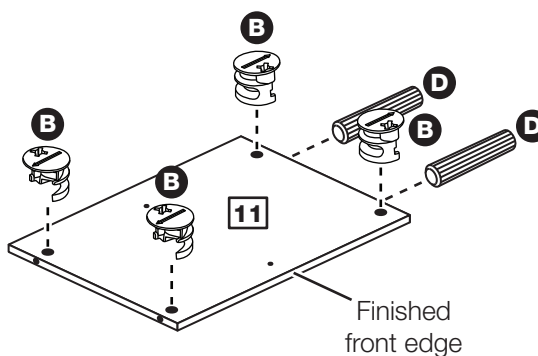


## Step 16

### Prepare the bottom divider

Insert 4 large locking nuts **B** into the bottom divider **11**.

Tap 2 wooden dowels **D** into the bottom divider **11**.



# Assembly Instructions

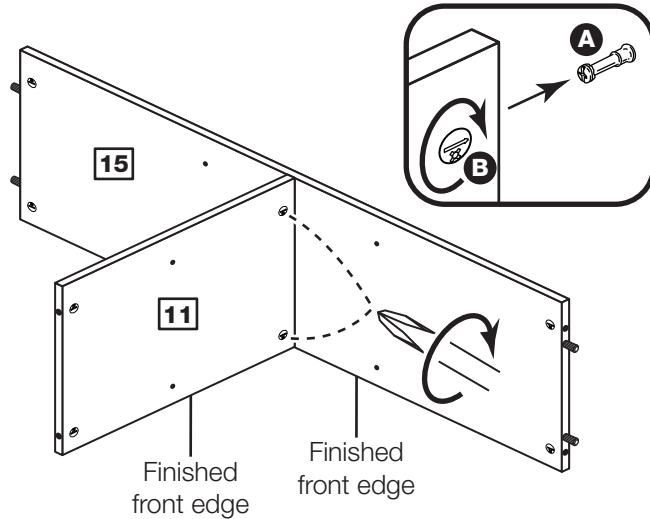
## Step 17

### Fit the bottom divider to the horizontal divider

Push the bottom divider **11** onto the horizontal divider **15**.

Use a screwdriver to tighten the 2 large locking nuts **B** fitted to the bottom divider **11**.

**Note:** Turn the large locking nuts **B** as far as they will go - more than 1/2 a turn.



## Step 18

### Prepare the base

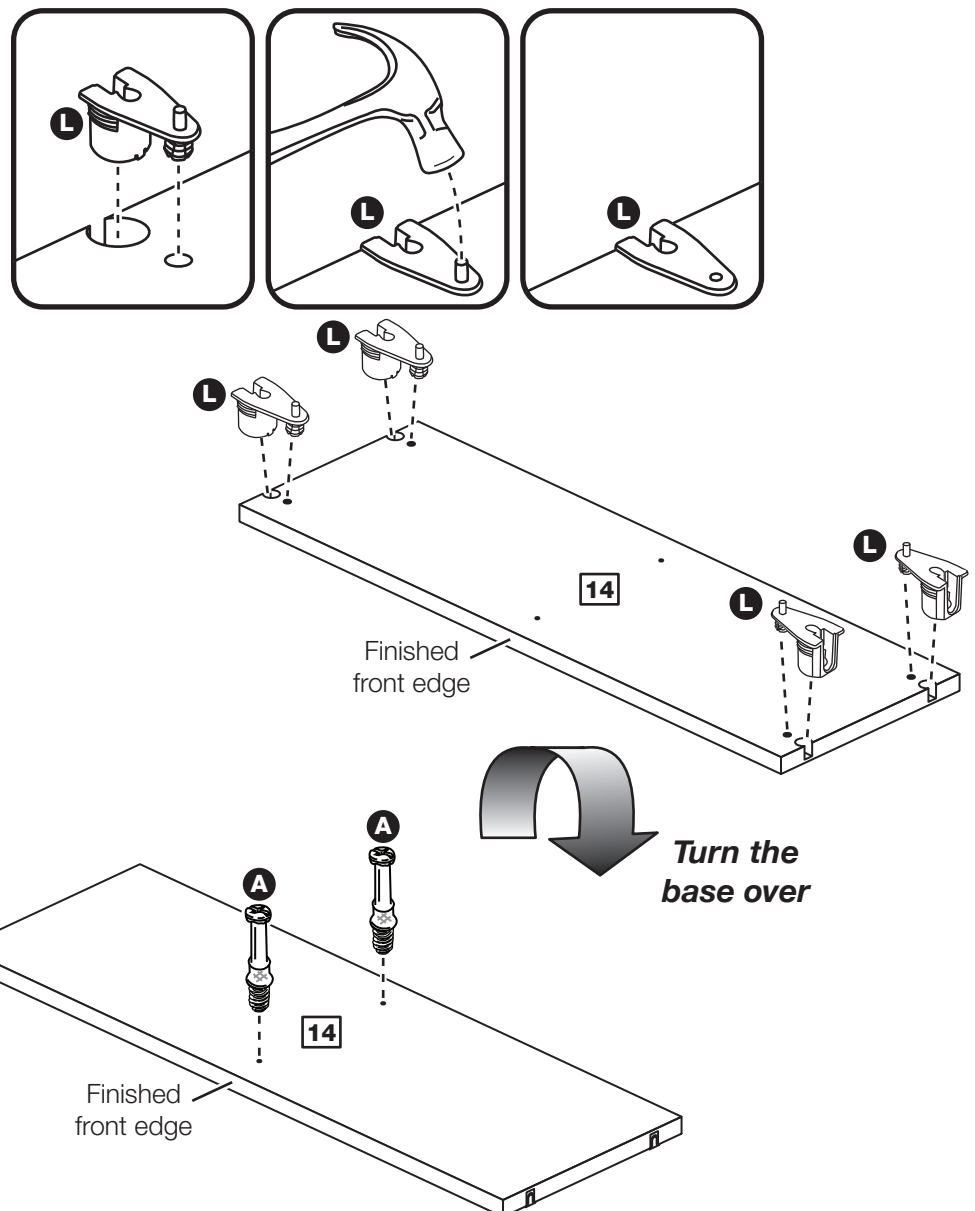
Push 4 hollow core locking nuts **L** into the base **14**, making sure that they are flush against the panel's surface.

Using a hammer, tap in the pin on the hollow core locking nut **L**.

**Note:** The pin should be tapped in flush with the top surface of the hollow core locking nut **L**.

### Turn the base over

Screw 2 metal dowels **A** into the base **14**.



# Assembly Instructions

## Step 19

### Prepare the 2 top dividers

**a:** Place a runner **N** on each top divider **12** as shown. Slide back the top of runner and use the 2nd hole from the front to fit the 1st screw **I**.

**b:** Slide the runner **N** back the other way and fit the 2nd screw **I** into the corresponding hole in the top dividers **12**.

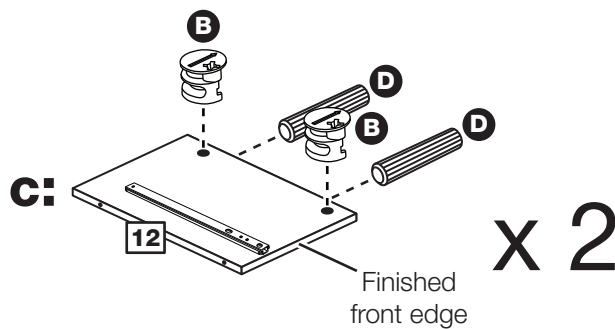
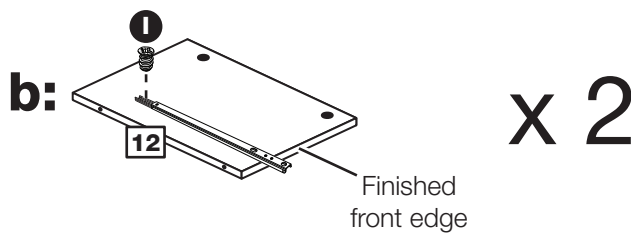
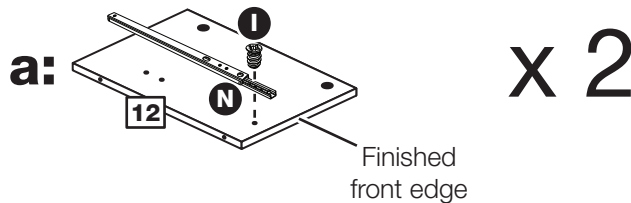
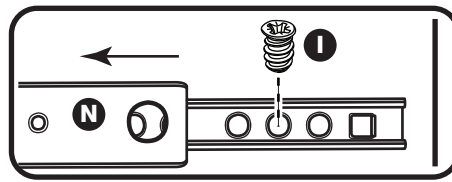
**c:** Insert 2 large locking nuts **B** into the top dividers **12**.

Tap 2 wooden dowels **D** into the top dividers **12**.

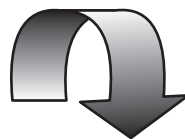
### Turn the top divider over

**a:** Place a runner **N** on each top divider **12** as shown. Slide back the top of runner and use the 2nd hole from the front to fit the 1st screw **I**.

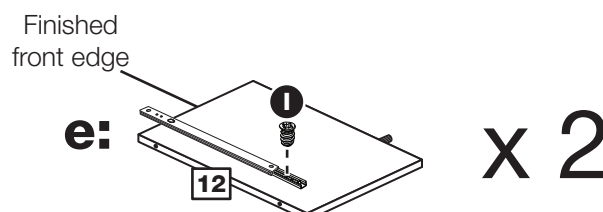
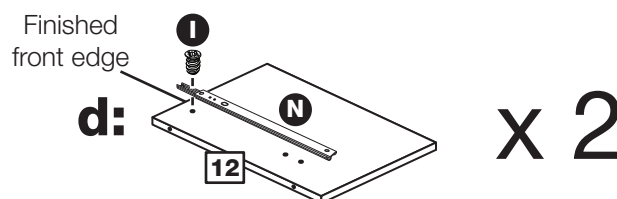
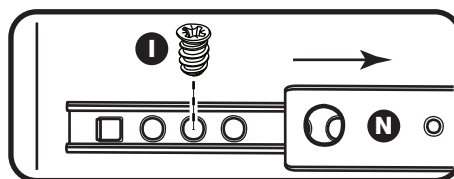
**b:** Slide the runner **N** back the other way and fit the 2nd screw **I** into the corresponding hole in the top dividers **12**.



**Note:** Due to the manufacturing process, the 2 holes for the large locking nut can be on either surface of the top divider.



**Turn the top divider over**

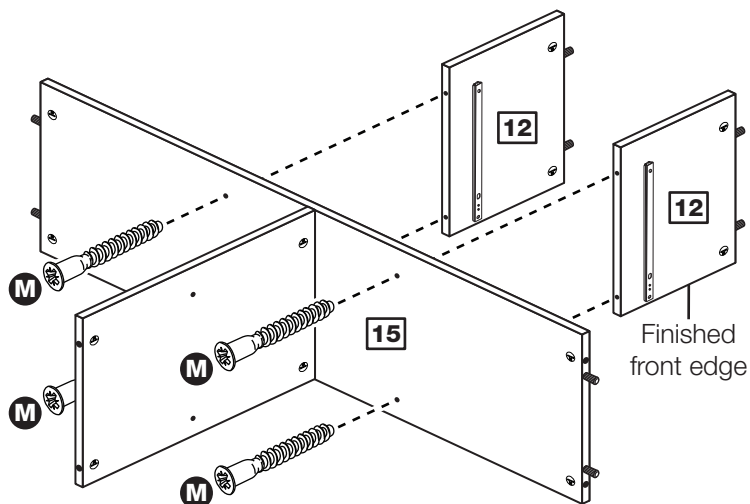


# Assembly Instructions

## Step 20

### Fit the 2 top dividers

Attach the 2 top dividers **12** to the horizontal divider **15** using 4 screws **M**.

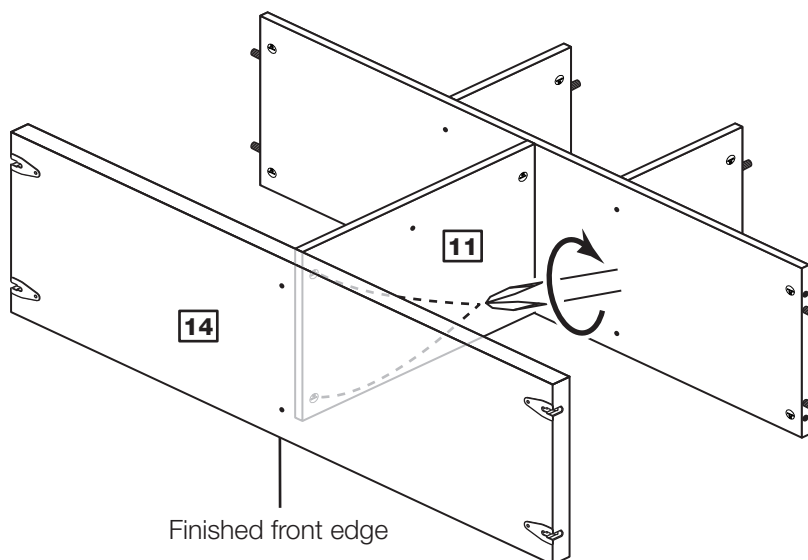


## Step 21

### Fit the base

Push the base **14** onto the bottom divider **11**.

Use a screwdriver to tighten the 2 large locking nuts **B** fitted to the bottom divider **11**.

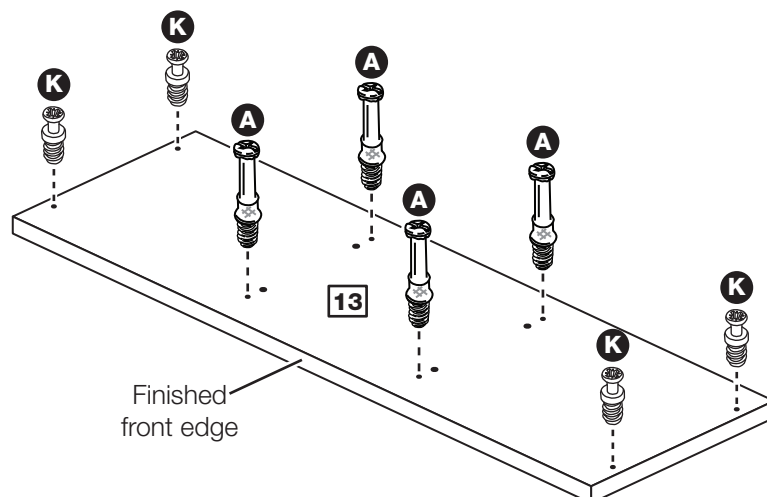


## Step 22

### Prepare the top

Screw 4 metal dowels **A** into the top **13**.

Screw 4 small metal dowels **K** into the top **13**.



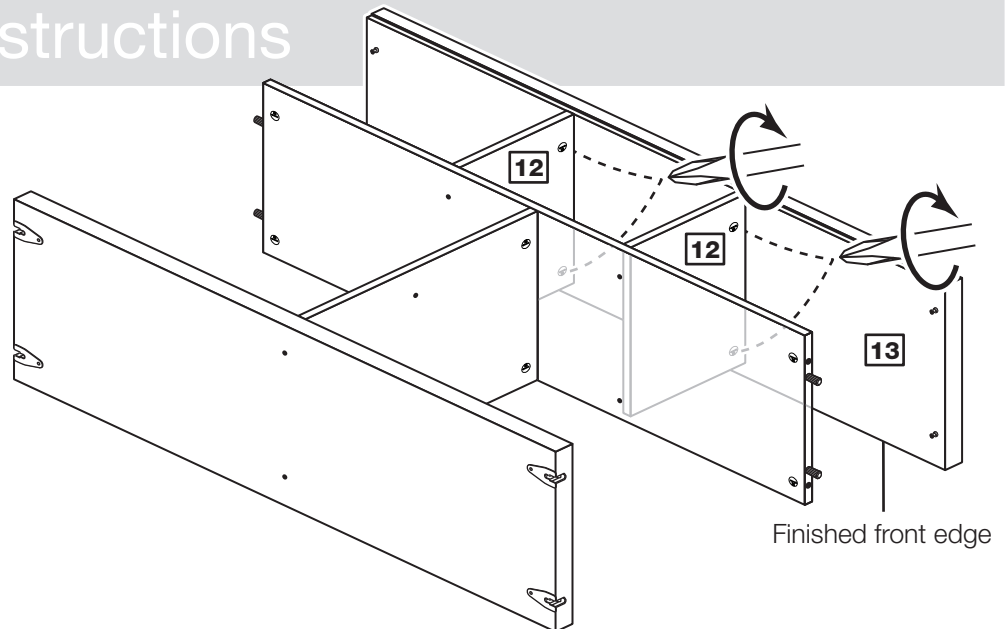
# Assembly Instructions

## Step 23

### Fit the top

Push the top **13** onto the 2 top dividers **12**.

Use a screwdriver to tighten the 4 large locking nuts **B** fitted to the 2 top dividers **12**.



## Step 24

### Prepare the left side

**a:** Place a runner **N** on the left side **9**. Slide back the top of runner and use the 2nd hole from the front to fit the 1st screw **I**.

**b:** Slide the runner **N** back the other way and fit the 2nd screw **I** into the corresponding hole in the left side **9**.

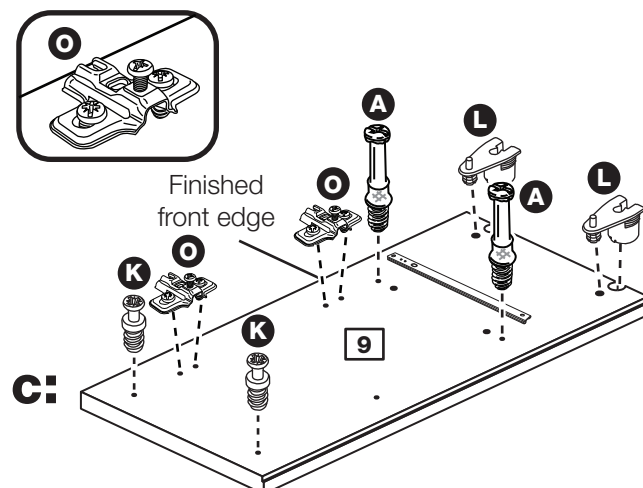
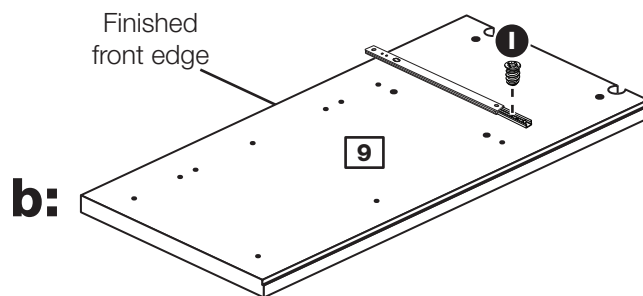
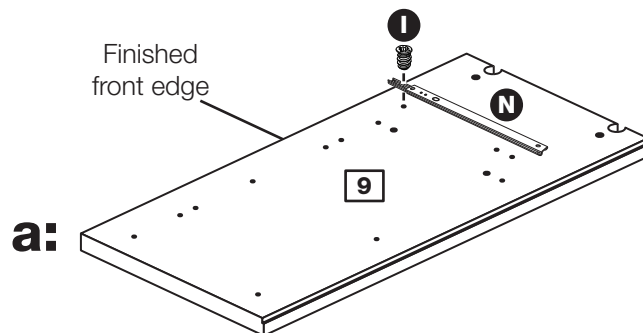
**c:** Screw 2 metal dowels **A** into the left side **9**.

Screw 2 small metal dowels **K** into the left side **9**.

Push 2 hollow core locking nuts **L** into the left side **9**, making sure that they are flush against the panel's surface.

Using a hammer, tap in the pin on the hollow core locking nut **L**.

Fit 2 hinge plates **O** onto the left side **9**, making sure that the slot is facing towards the finished front edge.



# Assembly Instructions

## Step 25

### Prepare the right side

**a:** Place a runner **N** on the right side **10** as shown. Slide back the top of runner and use the 2nd hole from the front to fit the 1st screw **I**.

**b:** Slide the runner **N** back the other way and fit the 2nd screw **I** into the corresponding hole in the right side **10**.

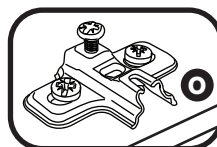
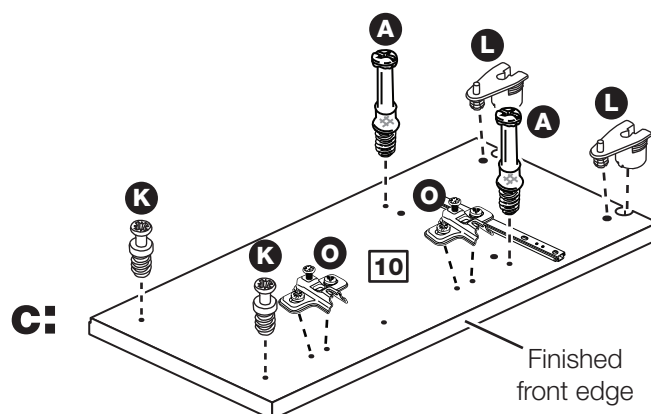
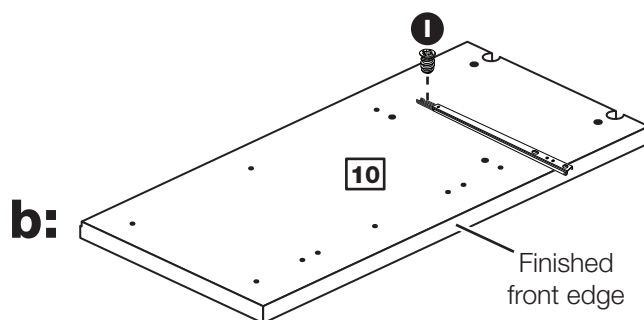
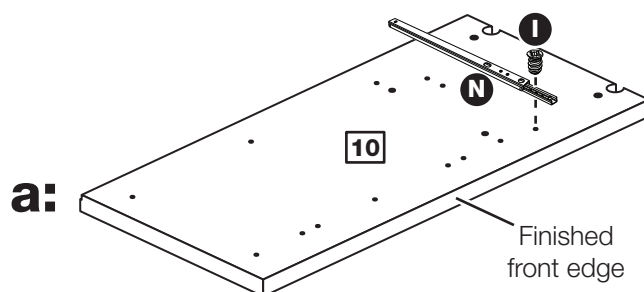
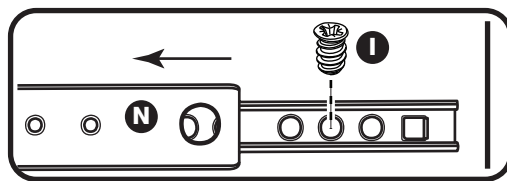
**c:** Screw 2 metal dowels **A** into the left side **10**.

Screw 2 small metal dowels **K** into the right side **10**.

Push 2 hollow core locking nuts **L** into the right side **10**, making sure that they are flush against the panel's surface.

Using a hammer, tap in the pin on the hollow core locking nut **L**.

Fit 2 hinge plates **O** onto the right side **10**, making sure that the slot is facing towards the finished front edge.



# Assembly Instructions

## Step 26

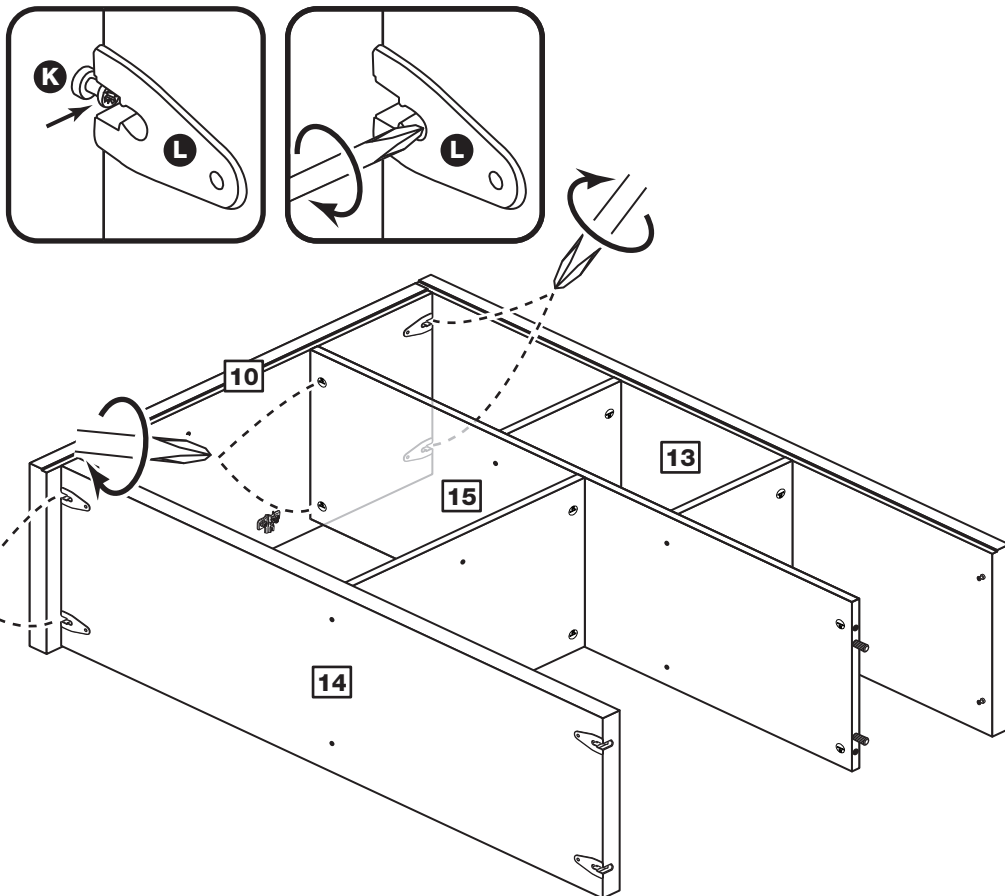
### Fit the base to the right end

Push the right side **10** onto the assembly.

The small metal dowels **K** fitted to the right side **10** and top **13** must slide into the top of the 4 hollow core locking nuts **L** fitted to the right side **10** and base **14**.

Insert a screwdriver into the 4 hollow core locking nuts **L** and turn the nuts inside as far as they will go.

Use a screwdriver to tighten the 2 large locking nuts **B** fitted to the horizontal divider **15**.



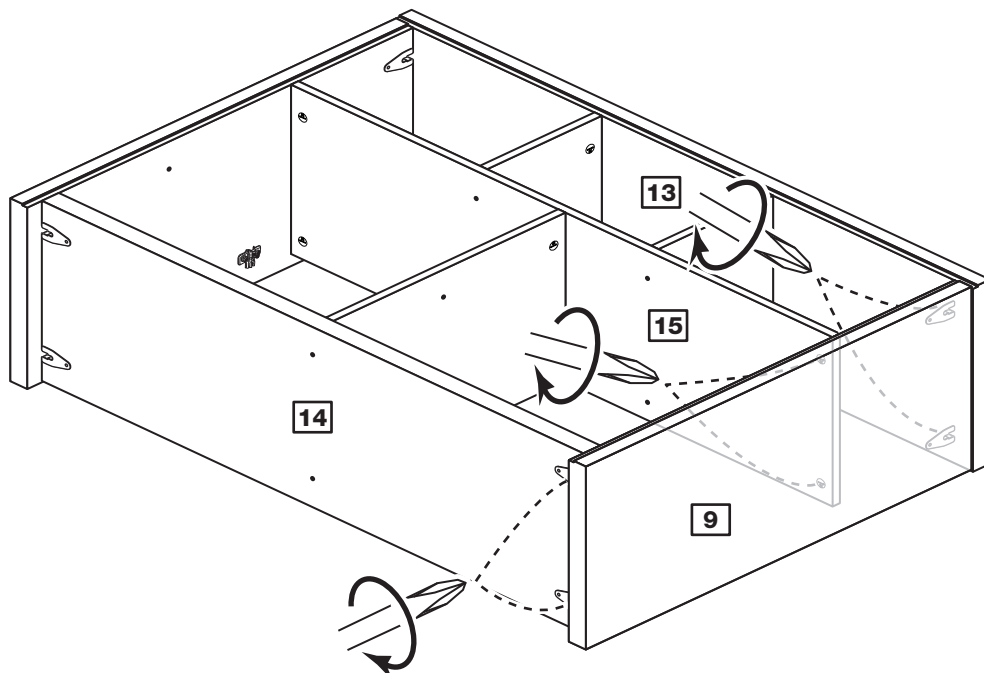
## Step 27

### Fit the base to the right end

Push the left side **9** onto the assembly.

Insert a screwdriver into the 4 hollow core locking nuts **L** fitted to the left side **9** and base **14** and turn the nuts inside as far as they will go.

Use a screwdriver to tighten the 2 large locking nuts **B** fitted to the horizontal divider **15**.



# Assembly Instructions

## Step 28

### Fit the back

**a:** Square up the unit by making sure that measurement **x** to **x** equals **y** to **y**.

**b:** Place the back **19** onto the unit.

Nail **T** around the outside edges of the back **19**.

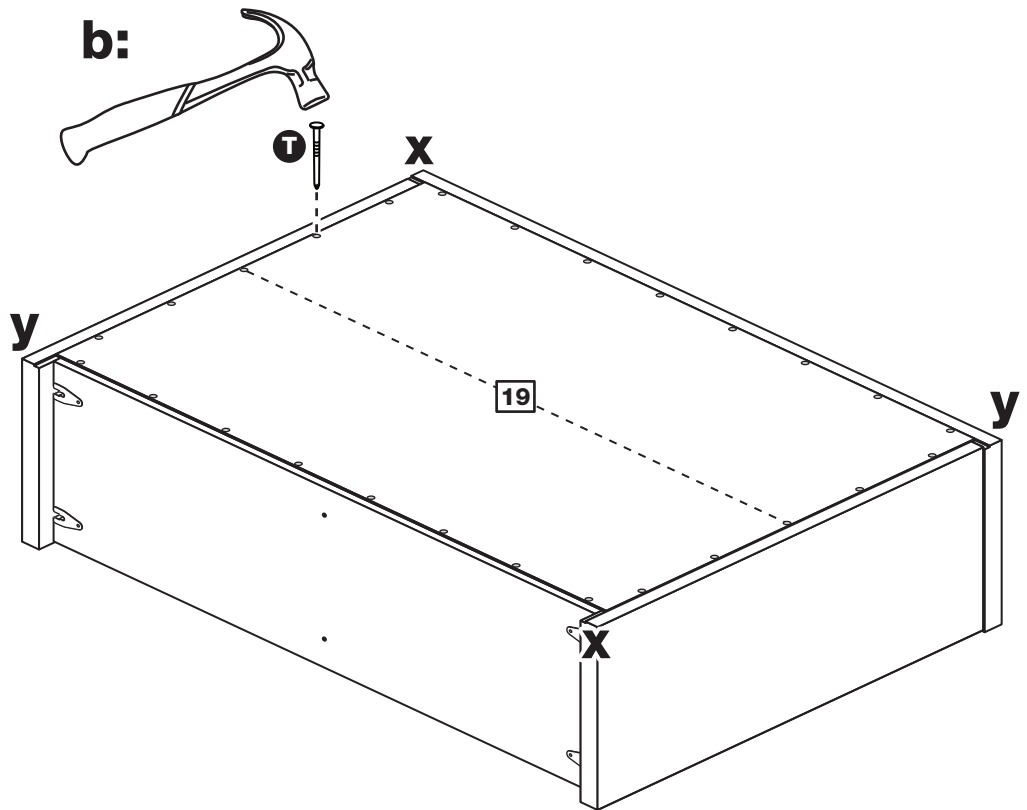
**Note:** Nails should be spaced about 150mm apart.

**Stand the unit up for the next step.**



**Warning:** The unit is heavy. Lift with care.

**a:** The measurement from top corner X to bottom corner X must be equal to the measurement from top corner Y to bottom corner Y



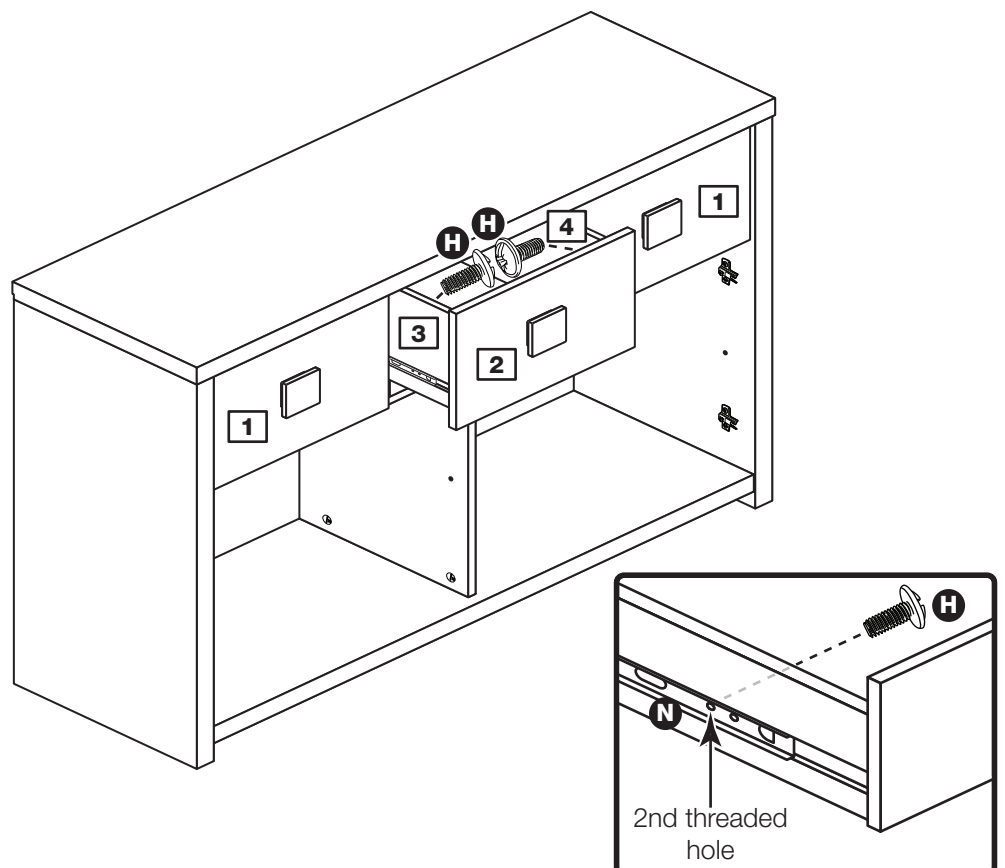
## Step 29

### Fit the drawers

Slide both the runners **N** forward and locate the drawer sides **3** and **4** between them, lining up the holes in the drawer wrap with the 2nd 'threaded' holes in the runners **N**.

Working from the inside of the drawer, insert 2 screws **H** through the drawer sides and out into the 2nd threaded hole in the runner.

**Note:** Do not overtighten the screws **H**. If they catch on the runner you may need to loosen them slightly.





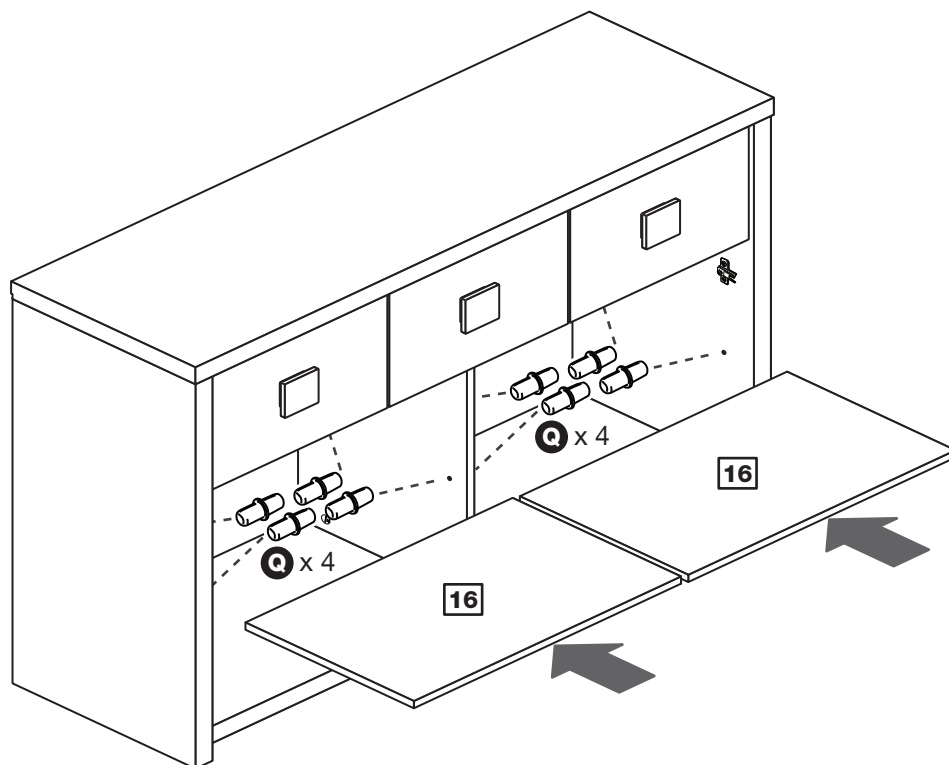
# Assembly Instructions

## Step 30

### Fit the shelves

Insert 4 shelf studs **Q** for each shelf **16**.

Lower the shelves **16** down onto the shelf studs **Q**.



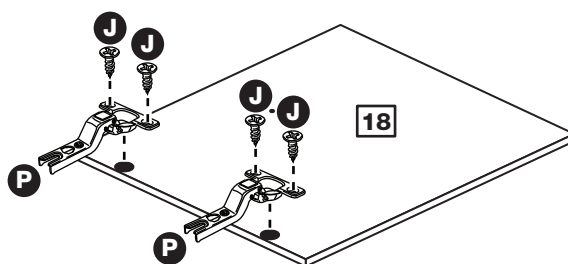
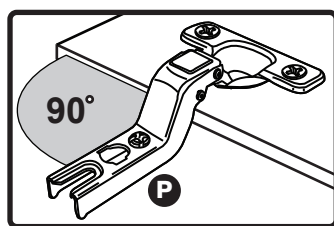
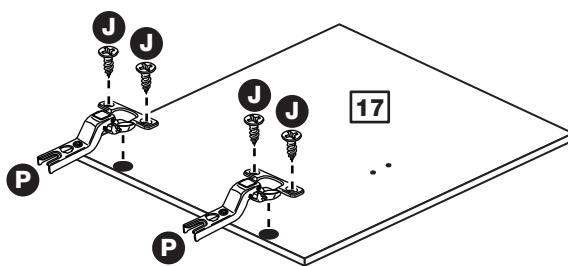
## Step 31

### Prepare the 2 doors

Push fit 2 hinges **P** into each of the 2 doors **17** and **18**.

Secure each hinge with 2 screws **J**.

**Note:** Before securing with the screws, make sure that the hinges are positioned at 90 degrees with the edge of the door.



# Assembly Instructions

## Step 32

### Fit doors and handles

**Note:** The easiest way to attach each door **17** and **18** is to fit the top hinge first, then align and fit the bottom hinge.

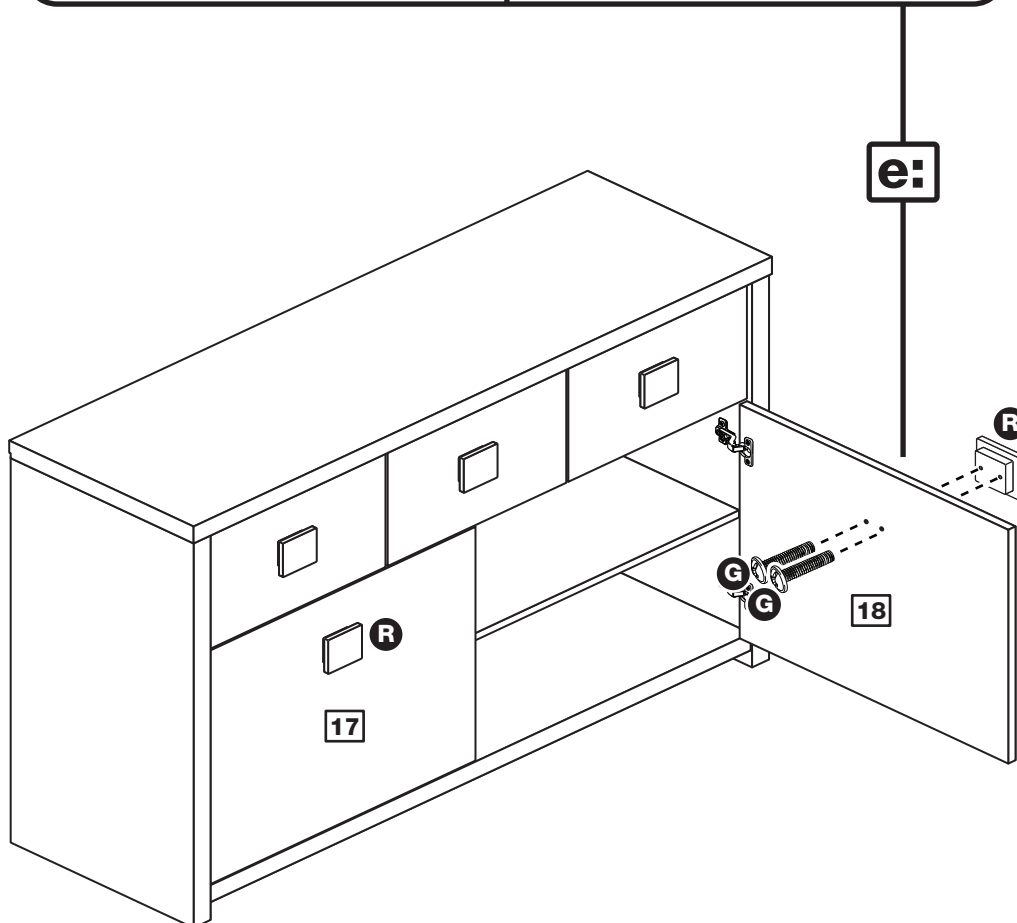
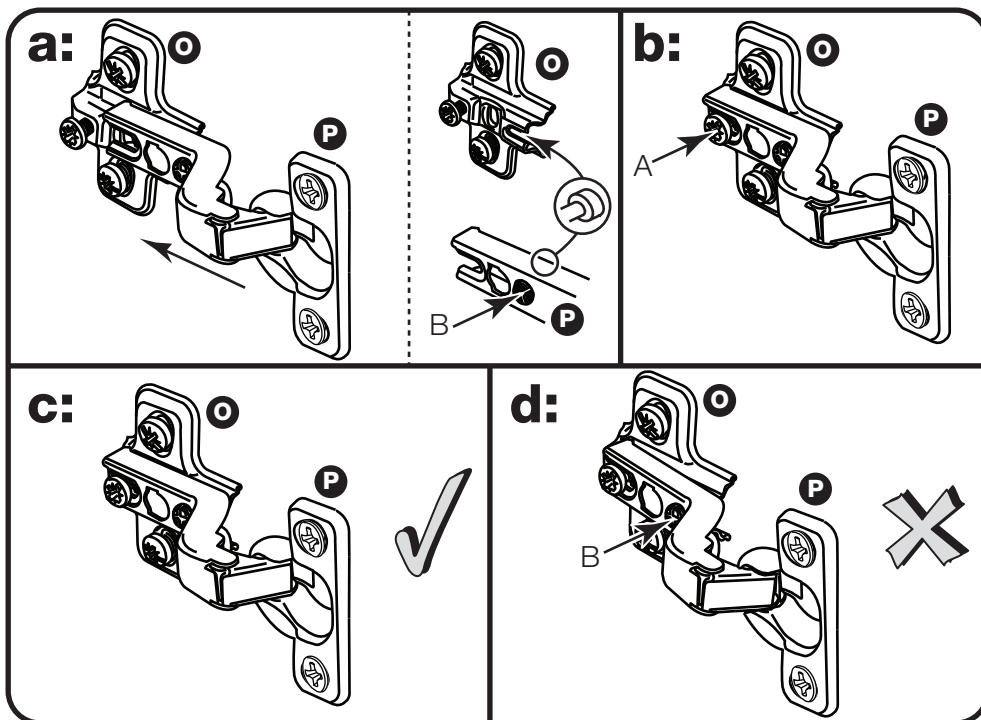
**a:** Push the hinge **P** onto the front part of the hinge plate **O**.

**b:** Keep the hinge **P** FLAT against the hinge plate **O** as you slide it across as far as it will go. Tighten screw A.

**c:** The hinge **P** must be flat against the hinge plate **O** prior to any adjustment.

**d:** The hinge **P** must NOT be AT AN ANGLE to the hinge plate **O** when assembled. This would indicate that the recess at the bottom of screw B had not located in the slot in the hinge plate and the hinge would not be secure. Remove the hinge from the hinge plate and then re-assemble being careful to follow instructions a-c.

**e:** Attach a handle **R** to each of the 2 doors **17** and **18** using screws **G**.



# Assembly Instructions

## Step 33

### Adjust the doors if needed

**a:** Before adjusting the doors, use a spirit level to check the base (or top) of the unit is level, front-to-back and side-to-side in the 3 positions shown. Use suitable packing pieces (not supplied) to make the unit level BEFORE making any adjustment to the hinges, as shown.

### **b:** Height adjustment.

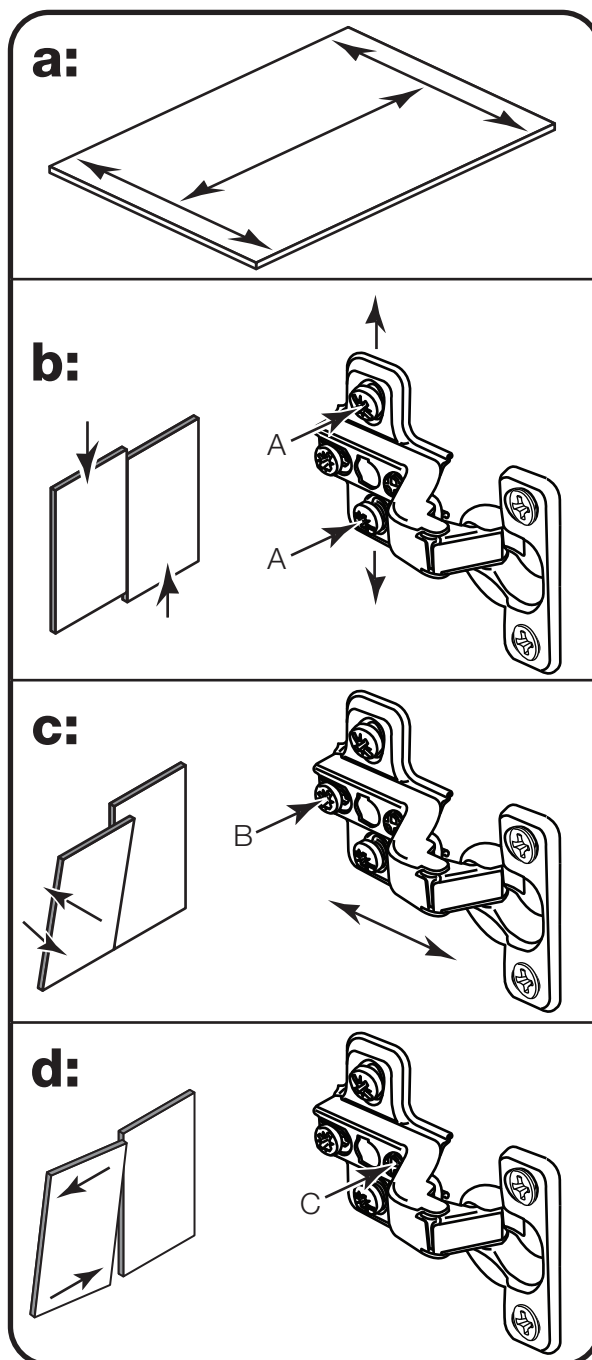
Loosen screws A on hinge plates and move door up or down as required. Retighten screw A.

### **c:** Forward and Back adjustment.

Loosen screw B on hinge plate and move door in or out as required. Retighten screw B.

### **d:** Sideways adjustment.

To move door 'out' loosen screw C. To move door 'in' tighten screw C.



# Assembly Instructions

## Step 34

### Fit the overbalance protector kit

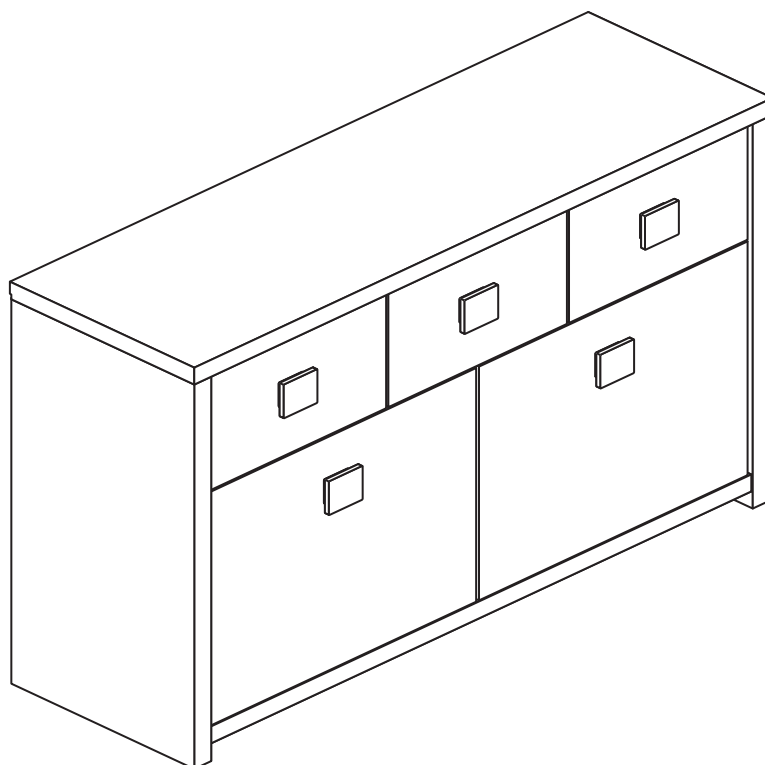
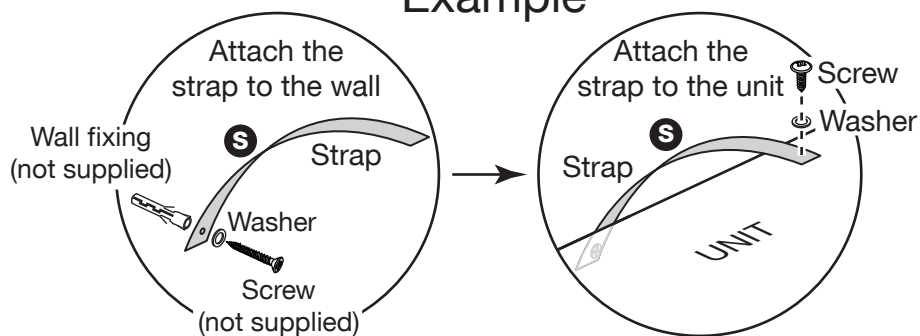
To prevent possible overbalancing we recommend that this unit is secured to a suitable wall by fitting of the overbalance protector kit **S** to the unit, or an alternative fixing method of your choice.

Wall fixings are not supplied as they will need to suit the wall type.

**Note:** Take care when drilling the wall that you do not drill into any pipes, wires etc. If in doubt, consult an expert.

**Assembly is complete**

### Example



If you need help or have damaged or missing parts, please visit [www.argos-support.co.uk](http://www.argos-support.co.uk) or email: [Help@ClickSpares.co.uk](mailto:Help@ClickSpares.co.uk) (quoting your original order number)  
Alternatively, call the Spares Helpline on: 0370 112 1928.  
For any other queries please contact the Customer Helpline on: 0345 640 2020