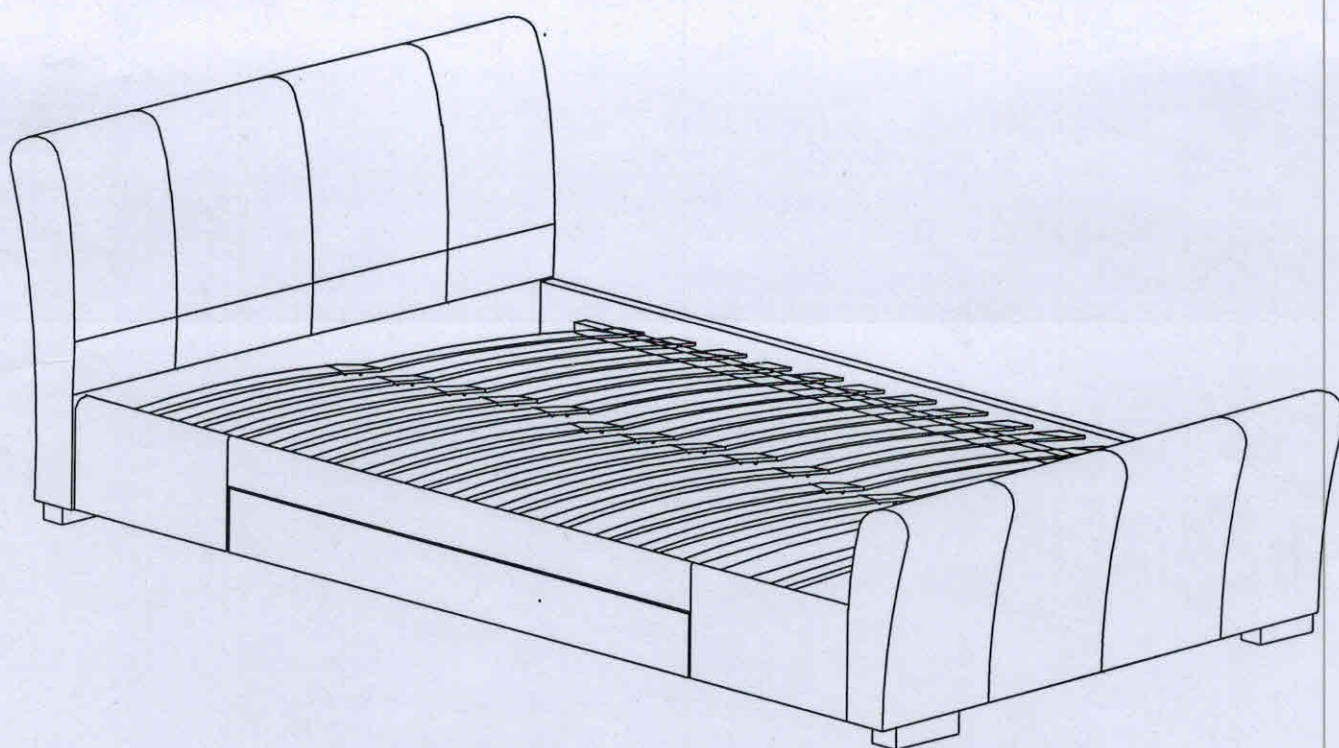


grantham 6 ft frame

Assembly Instructions - Please keep for future reference

414/3736



Dimensions

Width x Depth x Height

233cm x 190.5cm x 98cm (Super King)

Important - Please read these instructions fully before starting assembly

If you need help or have damaged or missing parts, call the Customer Helpline:
Argos = 0345 6400800



Safety and Care Advice

Important – Please read these instructions fully before starting assembly

- Check you have all the components and tools listed on the following pages.
- Remove all fittings from the plastic bags and separate them into their groups.
- Keep children and animals away from the work area, small parts could choke if swallowed.
- Make sure you have enough space to layout the parts before starting.

- During assembly do not stand or put weight on the product, this could cause damage.
- Assemble the item as close to its final position (in the same room) as possible.
- Assemble on a soft level surface to avoid damaging the unit or your floor.
- Parts of the assembly will be easier with 2 people.



power drill is set on a low torque setting.

- To reduce the likelihood of damaging your product please ensure that your

Care and maintenance

- Only clean using a damp cloth and mild detergent, do not use bleach or abrasive cleaners.
- From time to time check that there are no loose bolts or screws on this unit.
- This product should not be discarded with household waste. Take to your local authority waste disposal centre.

Handy Hints

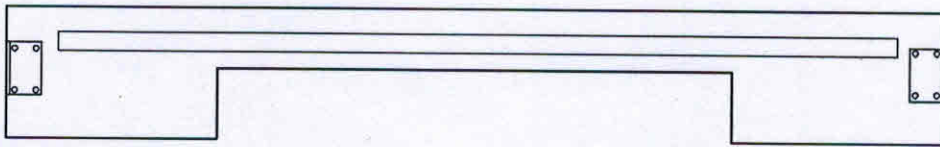
- Assemble all parts and bolts loosely during assembly, only once the product is complete should you fully tighten the bolts.
- Regularly check and ensure that all bolts and fittings are tightened properly.

Note: if required the next page can be cut out and used as reference throughout the assembly. Keep this page with these instructions for future reference.

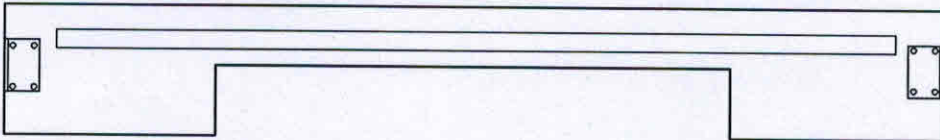
Components

If you need help or have damaged or missing parts, call the
Customer Helpline: Argos = 0345 6400800

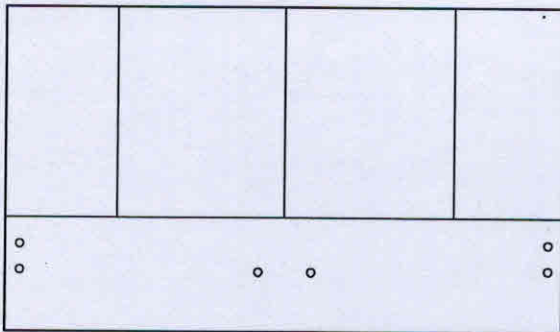
Please check you have all the parts listed below



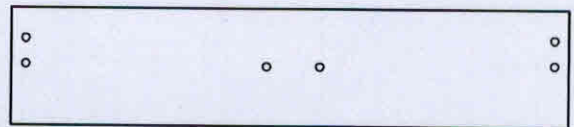
1 Right side rail



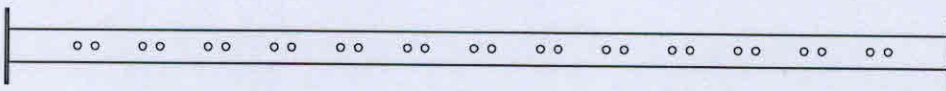
2 Left side rail



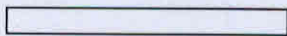
3 Headboard



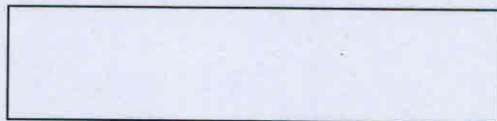
4 Footboard



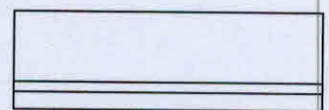
5 Central support rail



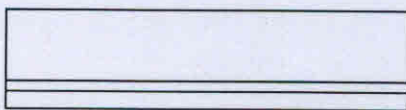
6 Slats x 26 (double) or
x 28 (king/super-king)



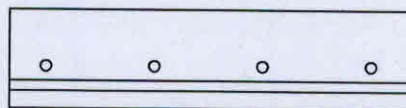
7 Drawer front x 2



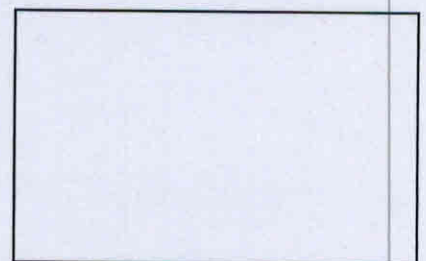
8 Drawer sides x 4



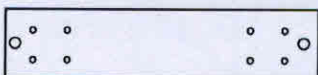
9 Drawer back x 2



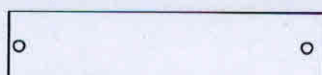
10 Inner drawer front x 2



13 Drawer base x 2



11 Drawer base support x 4






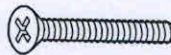



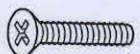

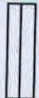


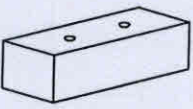



12 Drawer base center support x 2

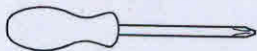
Components - Fittings

Please check you have all the fittings listed below

Note: The quantities below are the correct amount to complete the assembly. In some cases more fittings may be supplied than are required.

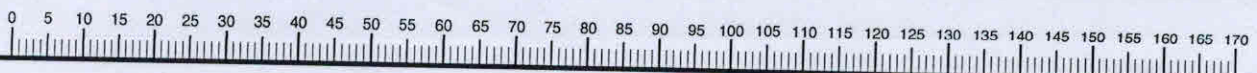
A  40mm M8 Bolt x 10	B  18mm M8 Bolt x 8	C  20mm M8 Bolt x 4
D  Feet stopper x 8	E  M8 Flat washer x 22	F  M7 Bolt x 16
G  M6 Screw x 32	H  30mm M8 Bolt x 8	I  Wheel x 8
J  40mm M6 Bolt x 12	K  M6 Nut x 12	L  Feetx 2
M  End slat caps x 26 (double) or x 28 (king/super-king)	N  Central slat caps x 13 (double) or x 14 (king/super-king)	O  Feetx 4
P  M5 Allen key x 1 (supplied)		

Tools required



Phillips screwdriver

Ruler - Use this ruler to help correctly identify the screws



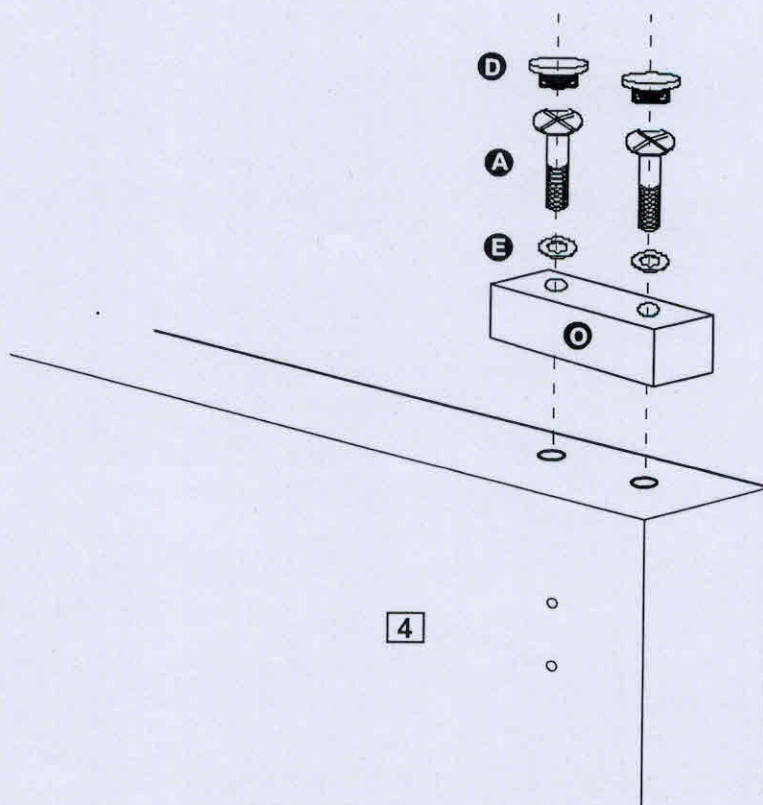
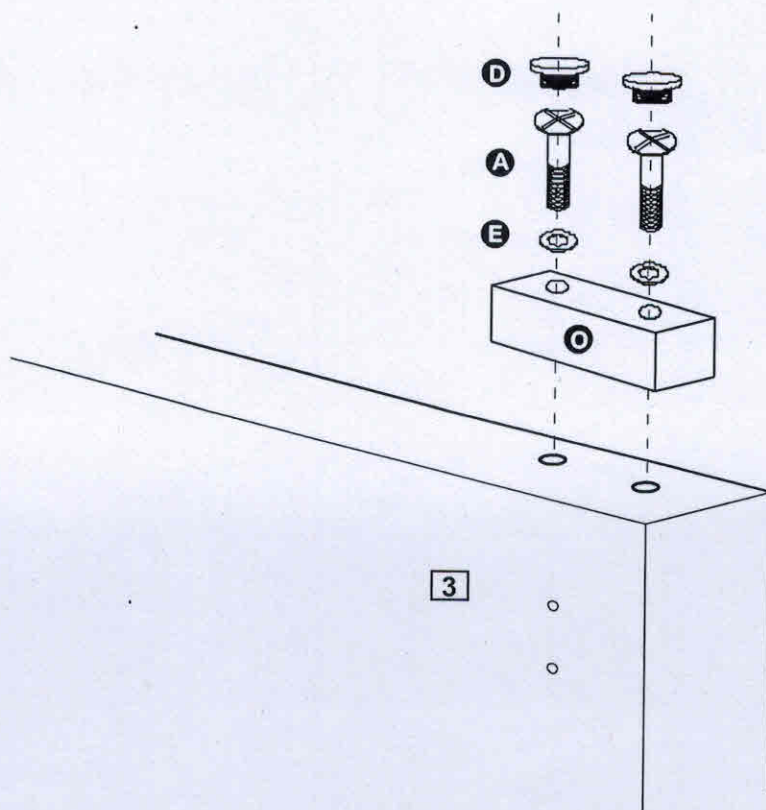
Assembly Instructions

Step 1

Attaching feet

Attach 2 x feet **O** to the underside of the headboard **3** using bolts **A** and washers **E** as shown. Attach feet stopper **D** when finished

Repeat on the underside of the footboard **4**.



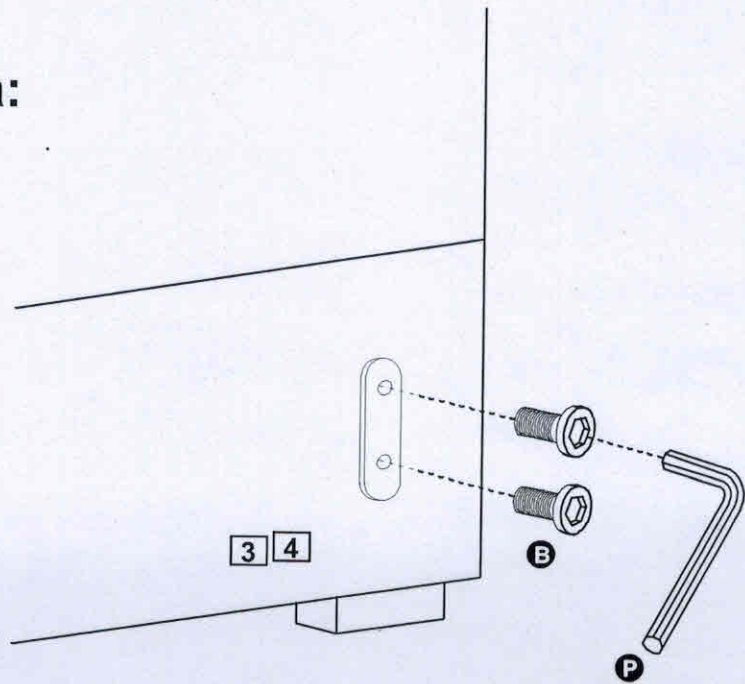
Assembly Instructions

Step 2

Attaching side rails

a: Attach 2 bolts **B** to the headboard **3** and footboard **4** using the Allen key **P** provided.

a:



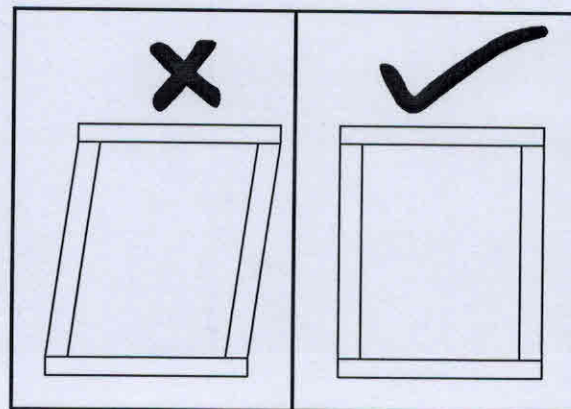
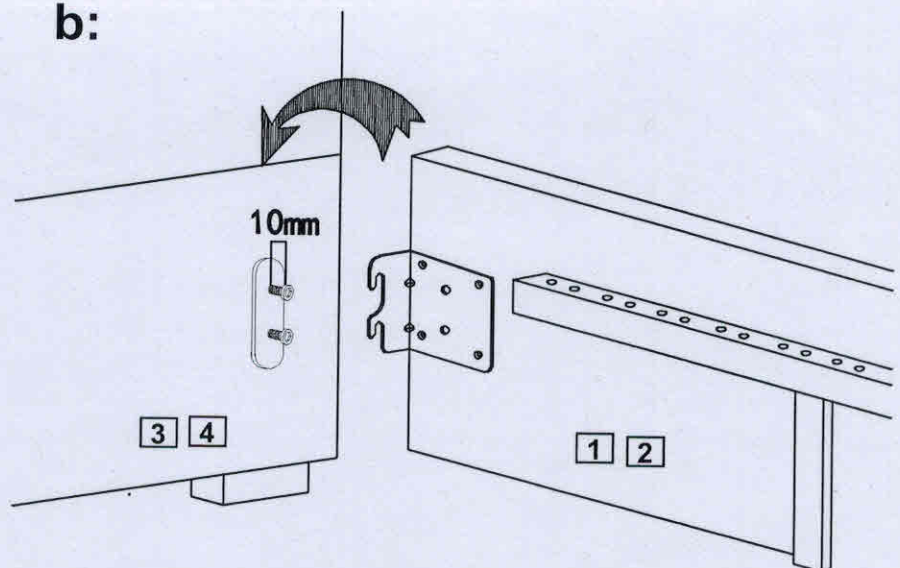
b: Position left side rail **2** adjacent to headboard **3** & **4** so that the holes in the headboard line up with the bracket on the side rail.

Secure in place by 2 bolts **B** using the Allen key provided.

Repeat **b** for right side rail **1**.

Do not fully tighten at this stage.

b:

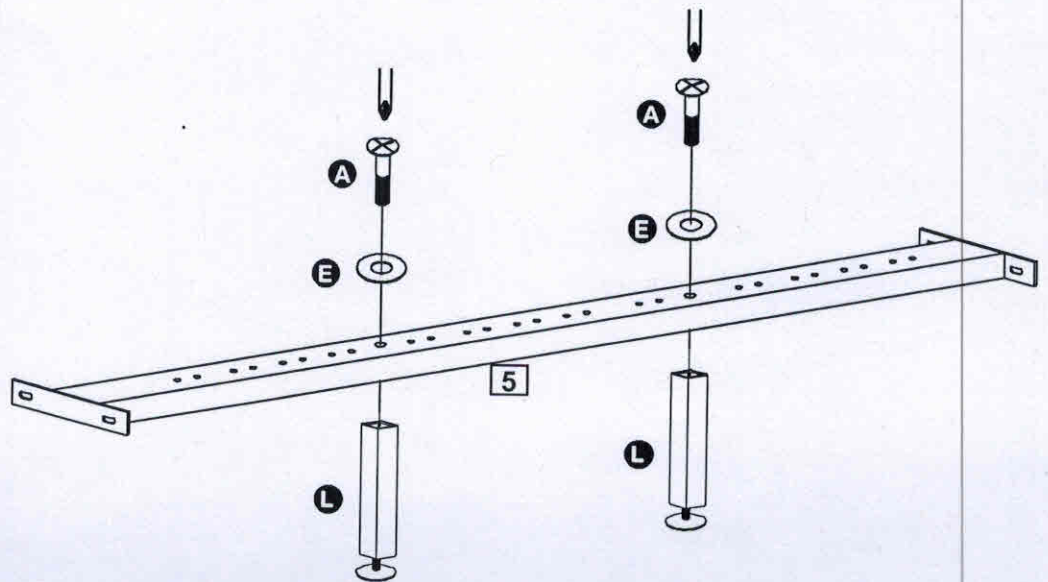


Assembly Instructions

Step 3

Central support assembly

Insert the feet **L** into the holes on the central support rail **5** and secure using bolts **A** and washers **E**.

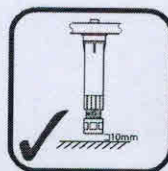
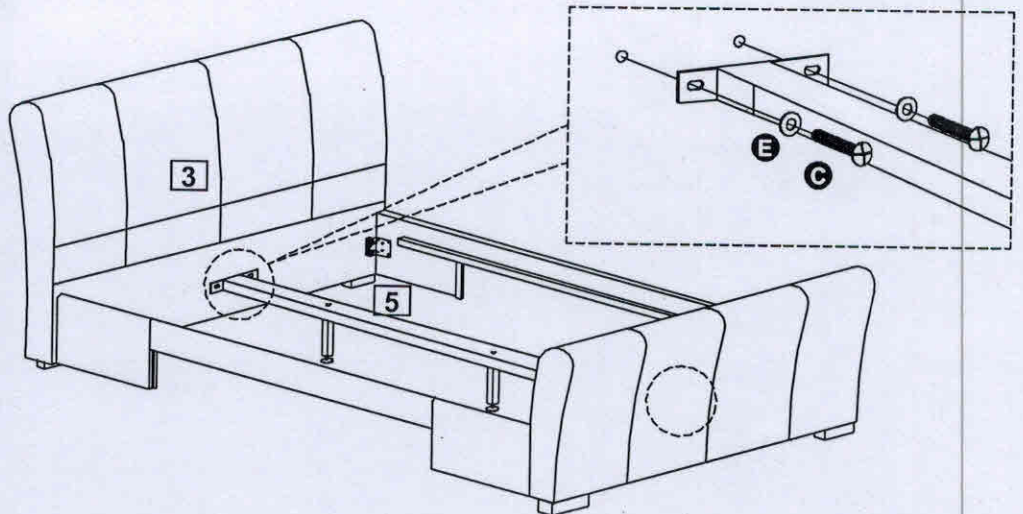


Step 4

Attach central support

Secure the central support rail **5** to the headboard **3** using bolt **C** and washer **E**.

Repeat at the footboard end.



Warning

adjust the feet so that they are not in contact with the floor when the mattress is in place. There should be a 10mm (1/2 inch) gap.

Assembly Instructions

Step 5

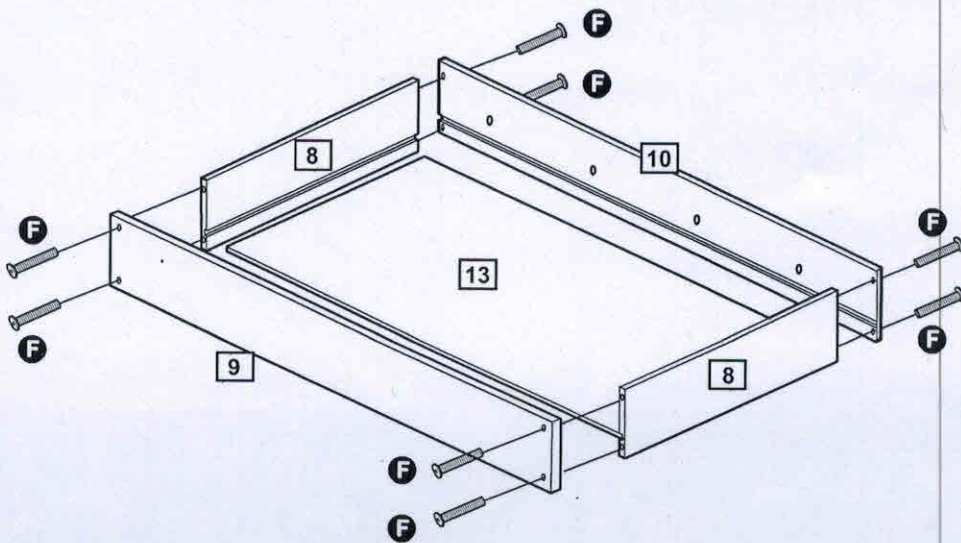
Drawer assembly

a: Connect the drawer sides **8** to the drawer back **9** using bolts **F** as shown.

Insert the drawer base **13** into the grooves on the sides and back. Ensure the drawer base **13** is the correct way up.

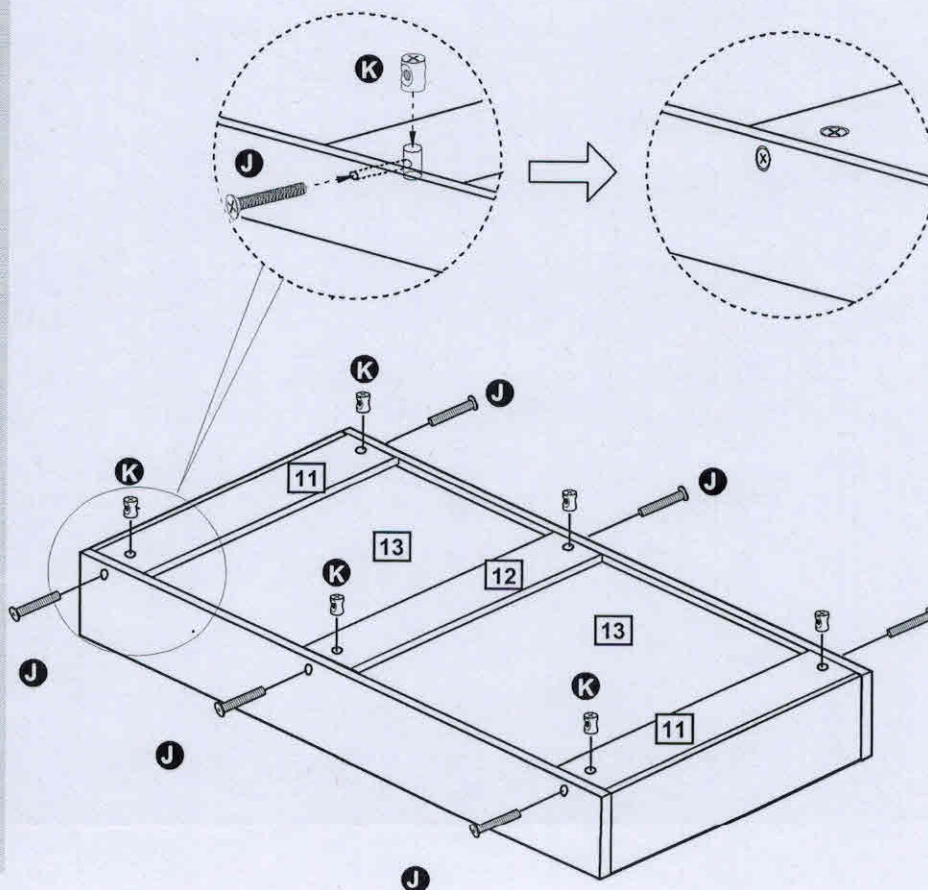
Attach the inner drawer front **10** to the sides using bolts **F**.

a:



b: Turn the drawers upside down and secure drawer base **13** into place with 3 x drawer base supports **11** and **12** using bolts **J** and nuts **K** as shown.

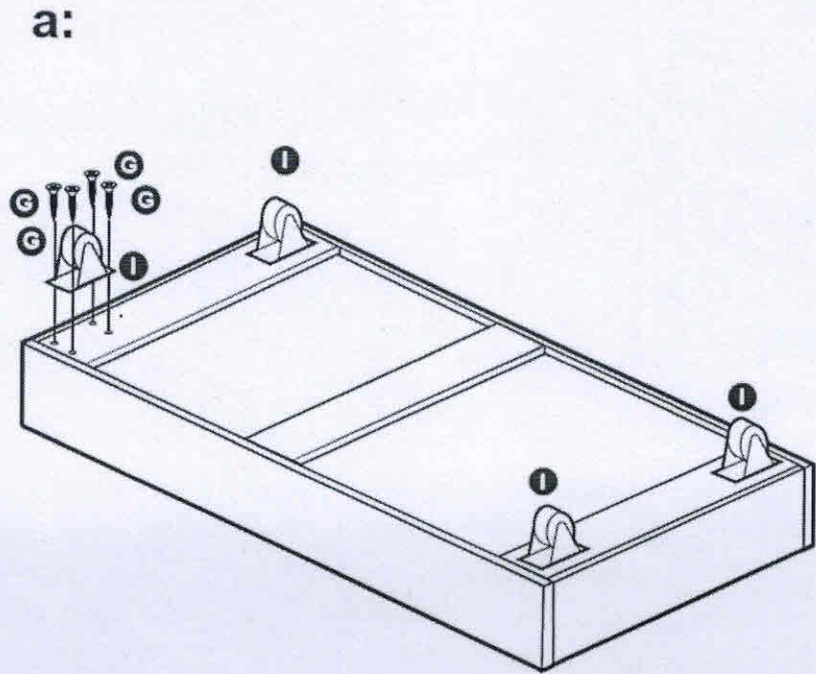
b:



Assembly Instructions

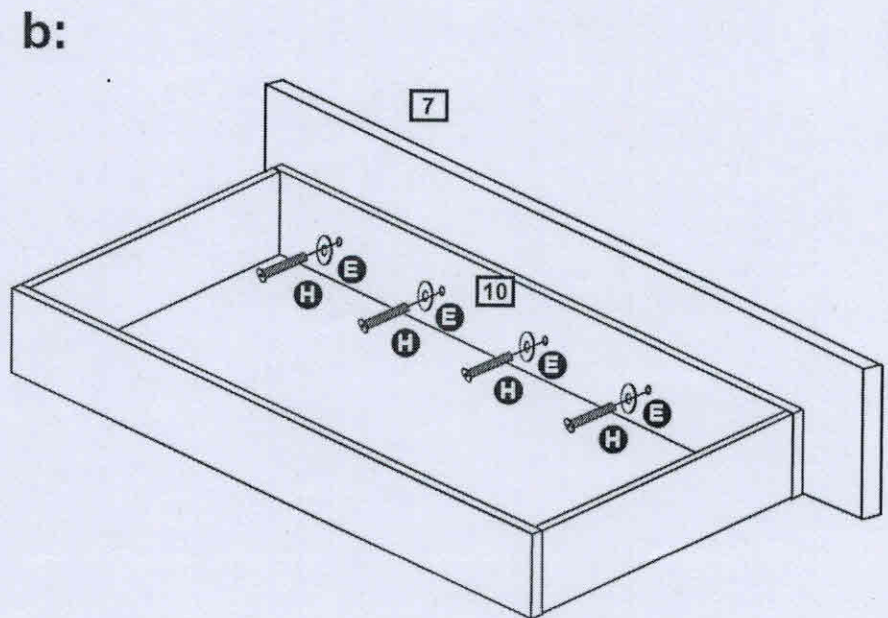
Step 6

a: Attach the wheels **1** to the drawer base supports **11** using Screw **G** as shown.



b: Attach the drawer front **7** to the inner drawer front **10** using 4 bolts **H** and washers **E** as shown.

Repeat steps **5** and **6** for the other drawer.



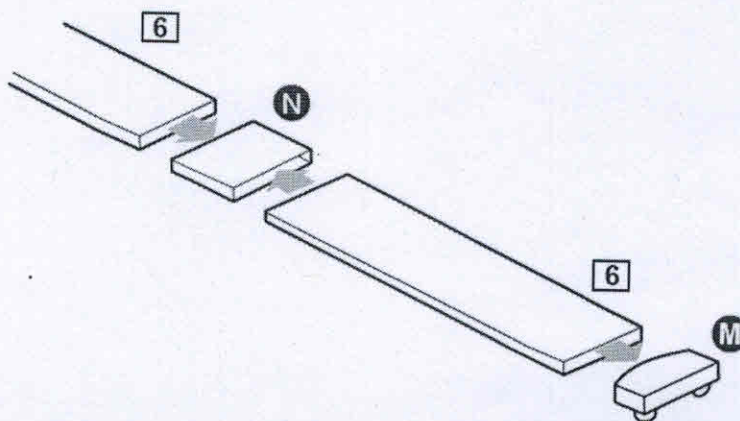
Assembly Instructions

Step 7

Place slats

a: Slot the bed slats **6** into the end slat caps **M** and central slat caps **N** as shown.

a:



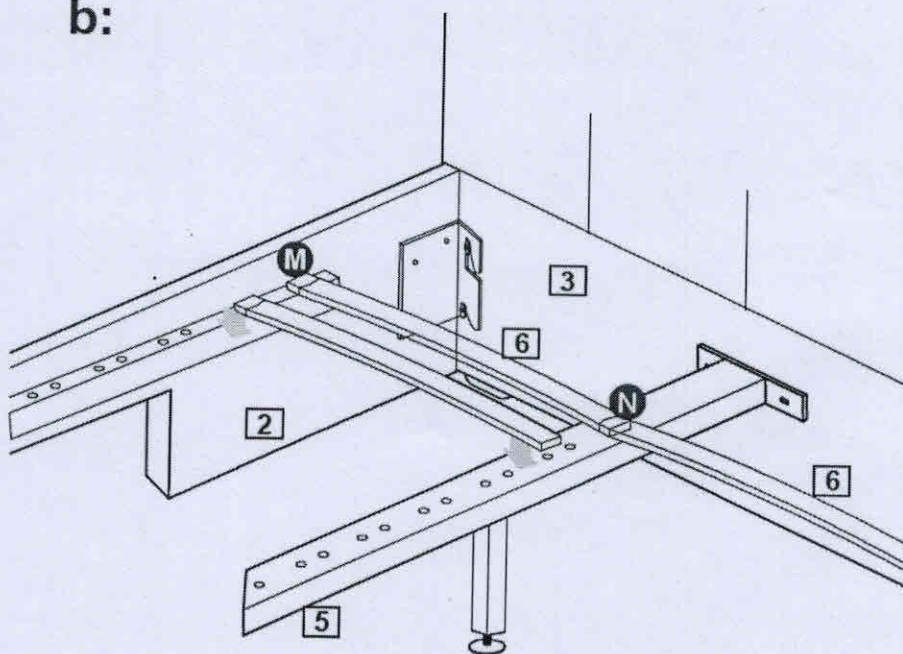
b: Attach the slats to the side rails **1** & **2** and central support rail **5** by firmly pushing into place.

Insert the drawers into the bed side rails.

After all the parts are positioned you can now fully tighten all bolts fixed on previous steps.

Assembly is complete.

b:



If you need help or have damaged or missing parts, call the **Customer Helpline:**
Argos = 0345 6400800