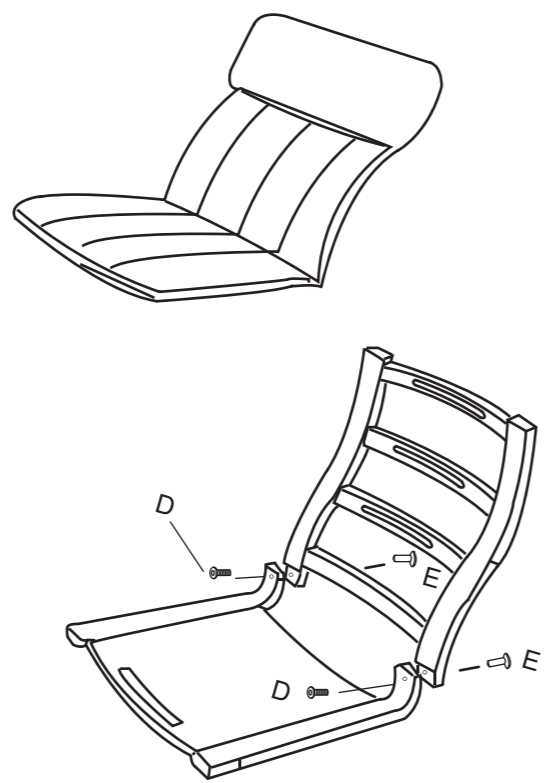


Assembly Instructions

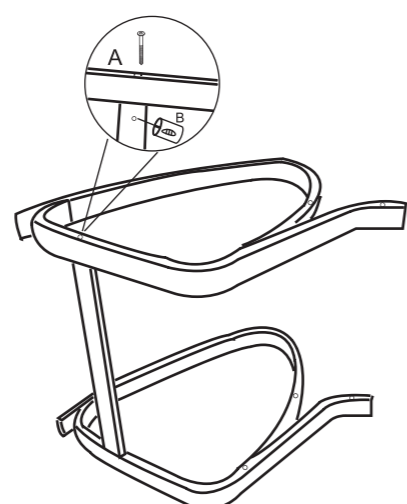
Step 1

- fix seat frame **6** and back frame **5** by using screw **D** and screw caps **E**
- put the cushion **4** onto the wooden frame.



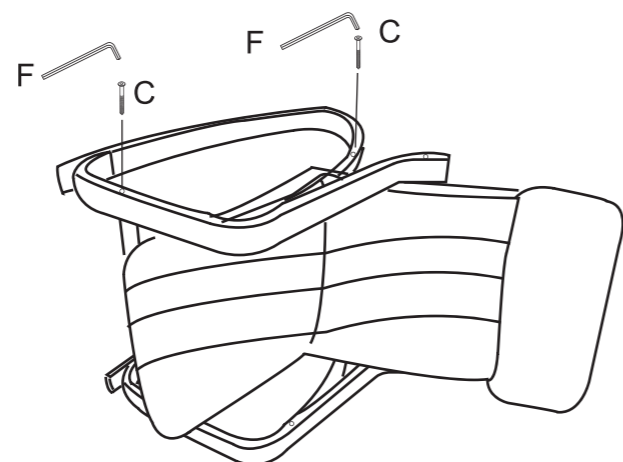
Step 2

Fix the support bar **3** onto armrest **1** and **2** by using screw **A** and nut **B**.



Step 3 Attaching the cushion

Using screw **C** to fix the cushion onto the armrest, finally tighten all the screws by using Allen key **F**.



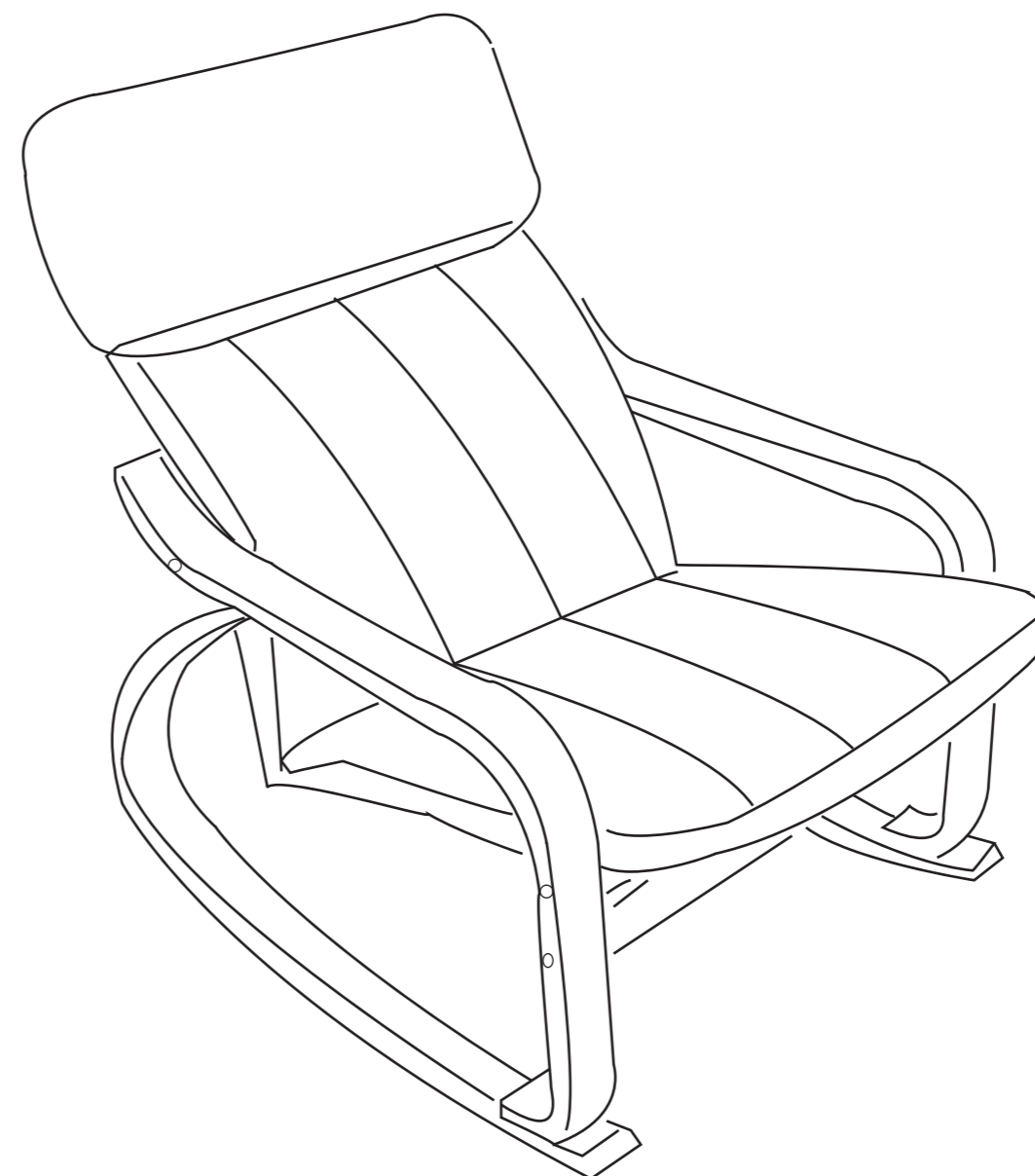
3

ROCKING CHAIR

Assembly Instructions - Please keep for future reference

414/3224

413/7735



Dimensions

Width - 67
Depth - 95
Height - 83
Seat Height - 44.5

Important - Please read these instructions fully before starting assembly

If you need help or have damaged or missing parts, call the Argos Aftersales helpline 0345 640 0800
489-499 Avebury Boulevard Milton Keynes MK92NW, Argos Limited

Issue 2 - 10/04/14

Safety and Care Advice

Important - Please read these instructions fully before starting assembly

- Check you have all the components and tools listed on pages 2.
- Remove all fittings from the plastic bags and separate them into their groups.
- Keep children and animals away from the work area, small parts could choke if swallowed.
- Make sure you have enough space to layout the parts before starting.

- Do not stand or put weight on the product, this could cause damage.
- Assemble the item as close to its final position (in the same room) as possible.
- Assemble on a soft level surface to avoid damaging the unit or your floor.
- Parts of the assembly will be easier with 2 people.



- We do not recommend the use of power drill/drivers for inserting screws, as this could damage the unit. Only use hand screwdrivers.
- Dispose of all packaging carefully and responsibly.

Care and maintenance

- Only clean using a damp cloth and mild detergent, do not use bleach or abrasive cleaners.
- From time to time check that there are no loose screws on this unit.
- This product should not be discarded with household waste. Take to your local authority waste disposal centre.

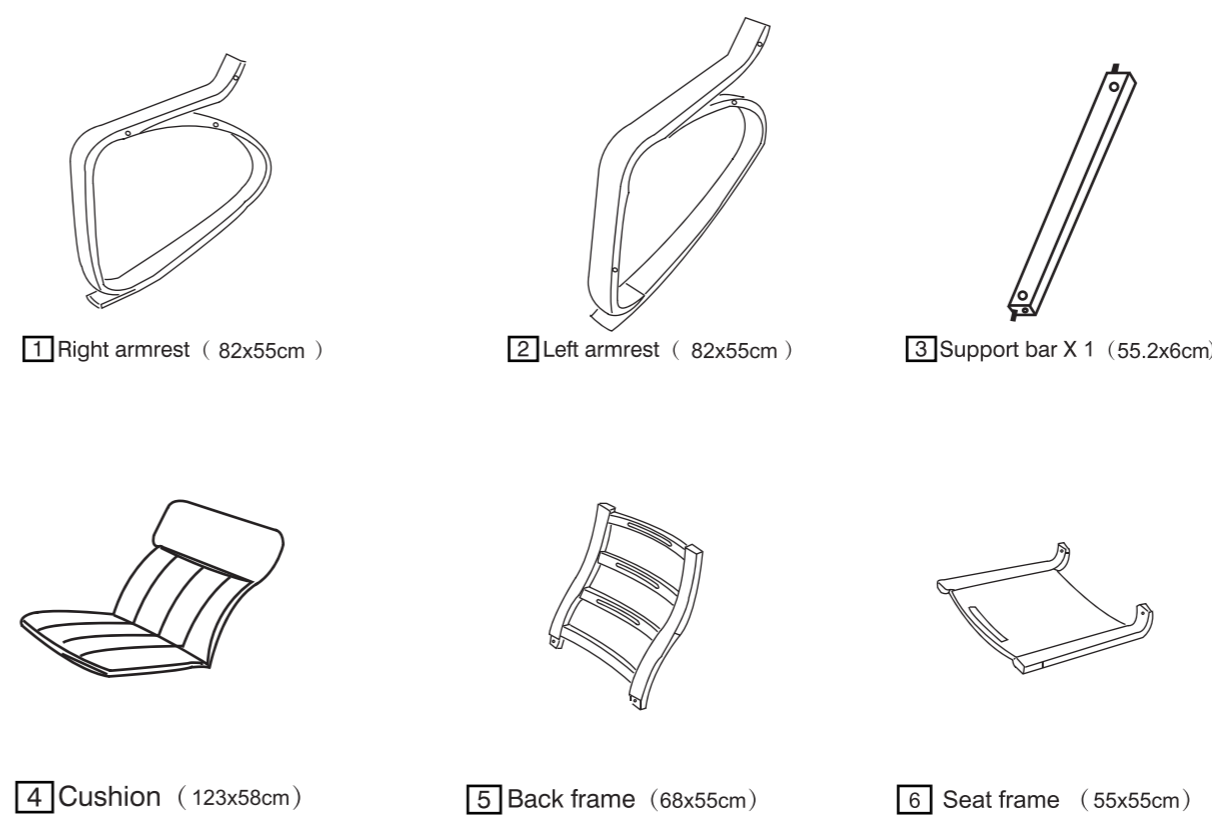
Notes:

- Maximum load for this chair is 150kgs, personal injury could result if the chair is subjected to higher load.
- Do not use this chair on uneven ground.
- Adult assembly is required.
- The chair is suitable for children under 3-10 years old.
- Please retain the information relating to this product for further reference.
- Always follow the instructions provided for the assembly, use and maintenance of the product.
- To avoid puncturing place on a clean even surface free from stones and other sharp debris.

Argos Co., Ltd
489-499 Avebury Boulevard Saxon
Gate West, Central Milton Keynes,
Bucks, MK92NW

Components

Please check you have all the Components listed below



Components - Fittings

If you have damaged or missing components, call the Customer Helpline: 0345 640 0800

Please check you have all the fittings listed below

A		B		C	
	long screws X2		nuts X2		short screws X4
D		E		F	
	small screws X2		screw caps X2		Allen Key X1

Ruler - Use this ruler to help correctly identify the screws

