

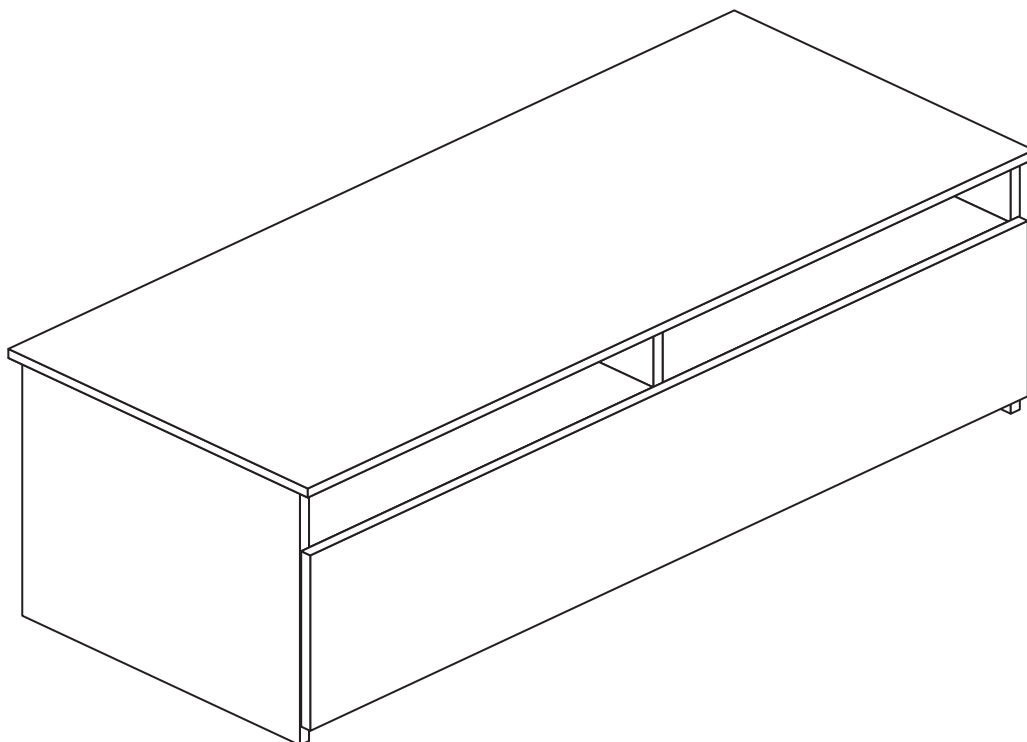
Aurora - TV Unit

Assembly Instructions - Please keep for future reference

158/9544

146/4195

413/9953



Dimensions

Width - 120cm

Depth - 49.5cm

Height - 43.5cm



**MADE IN
BRITAIN**

Important - Please read these instructions fully before starting assembly

If you need help or have damaged or missing parts, call the **Customer Helpline: 03456 400800**



Safety and Care Advice

Important - Please read these instructions fully before starting assembly

- **Warning:** This unit weighs approximately 33kgs. Please lift with care.

- Check you have all the components and tools listed on pages 2 and 3.

- Remove all fittings from the plastic bags and separate them into their groups.

- Keep children and animals away from the work area, small parts could choke if swallowed.

- Parts of the assembly will be easier with 2 people.

- Make sure you have enough space to layout the parts before starting.

- Do not stand or put weight on the product, this could cause damage.

- Assemble the item as close to its final position (in the same room) as possible.

- Assemble on a soft level surface to avoid damaging the unit or your floor (use opened out unit carton).



- We do not recommend the use of power drill/drivers **for inserting screws**, as this could damage the unit. Only use hand screwdrivers.

- **Safety note:** If there is any chance of this unit being pulled over by children etc. it is recommended that the unit is secured to a wall using suitable fixings (not supplied).

- Dispose of all packaging carefully and responsibly.

Care and maintenance

- Only clean using a damp cloth and mild detergent, do not use bleach or abrasive cleaners.

- From time to time check that there are no loose screws on this unit.

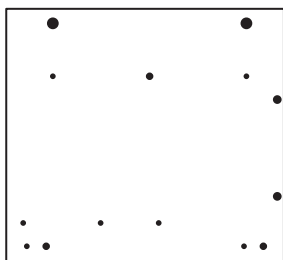
- This product should not be discarded with household waste. Take to your local authority waste disposal centre.

Note: If required the next page can be cut out and used as reference throughout the assembly. Keep this page with these instructions for future reference.

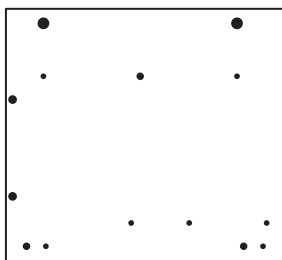
Components - Panels

If you have damaged or missing components, call the **Customer Helpline: 03456 400800** quoting the reference numbers below

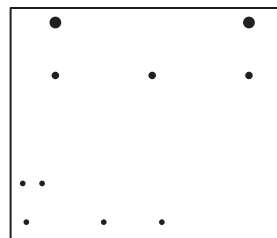
Please check you have all the panels listed below



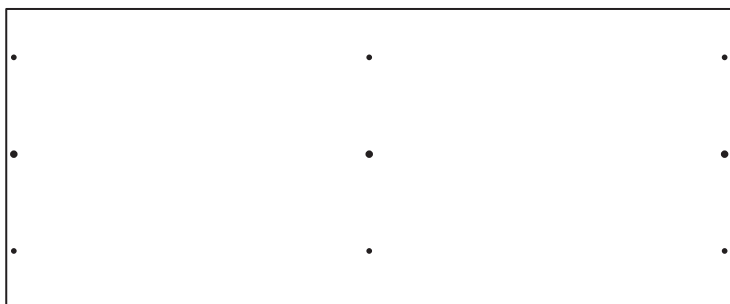
1 Left Side (D2645A)
(420 x 459mm)



2 Right Side (D2646A)
(420 x 459mm)



3 Divider (D2648A)
(385 x 456mm)



4 Top (D2637A)
(1200 x 495mm)



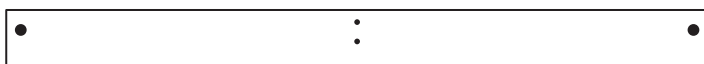
5 Horizontal (D2647A)
(572.5 x 455mm) x 2



6 Back (D2649A)
(1186 x 290mm)



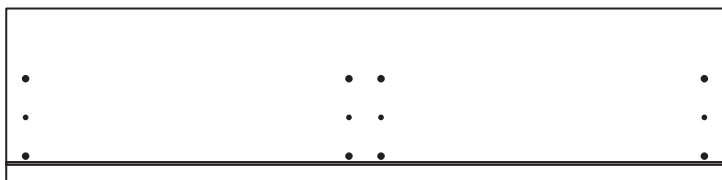
8 Left Drawer Side (W350-165LH)
(350 x 165mm) x 2



7 Rail (D2651A)
(1160 x 95mm) x 2



9 Right Drawer Side (W350-165RH)
(350 x 165mm) x 2



10 Drawer Front (D2650A)
(1186 x 290mm)



11 Drawer Back (W521-165)
(521 x 165mm) x 2



12 Drawer Base (T532-347)
(532 x 347mm) x 2

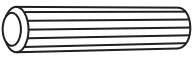
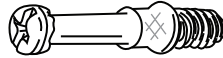

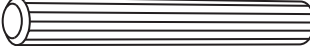






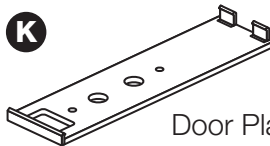
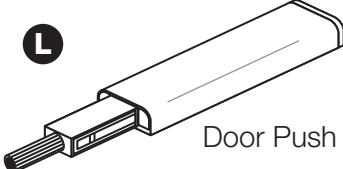

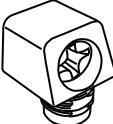




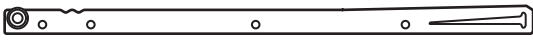




Components - Fittings

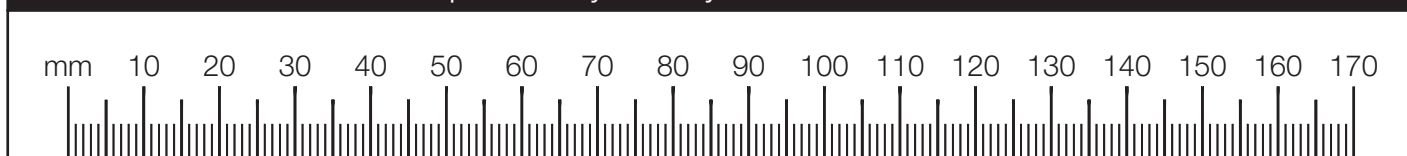
If you have damaged or missing components, call the **Customer Helpline: 03456 400800** quoting the reference numbers below

Please check you have all the fittings listed below

Note: The quantities below are the correct amount to complete the assembly. In some cases more fittings may be supplied than are required.

<p>A </p> <p>Wooden dowel (F22) x 9</p>	<p>B </p> <p>Metal dowel (F901) x 18</p>	<p>C </p> <p>Small locking nut (F3) x 4</p>
<p>D </p> <p>Large wooden dowel (F40) x 1</p>	<p>E </p> <p>Double metal dowel (F566) x 2</p>	<p>F </p> <p>Large locking nut (F900) x 18</p>
<p>G </p> <p>55mm Screw (F898) x 2</p>	<p>H </p> <p>13mm Screw (F52) x 2</p>	<p>I </p> <p>9mm Screw (F73) x 12</p>
<p>J </p> <p>13mm Screw (F63) x 12</p>	<p>K </p> <p>Door Plate (F259) x 1</p>	<p>L </p> <p>Door Push (F258) x 1</p>
<p>M </p> <p>Knock-in Peg (F171) x 8</p>	<p>N </p> <p>Mini block (F25) x 4</p>	<p>O </p> <p>Feet (F854) x 2</p>
<p>Pa  L Runner (F159) x 2  350mm long</p> <p>Pb  R Runner (F160) x 2</p> <p>Pc  L Runner (F161) x 2</p> <p>Pd  R Runner (F162) x 2</p>		<p>P </p> <p>Wedgefix (F639) x 8</p>

Ruler - Use this ruler to help correctly identify the screws



Assembly Instructions

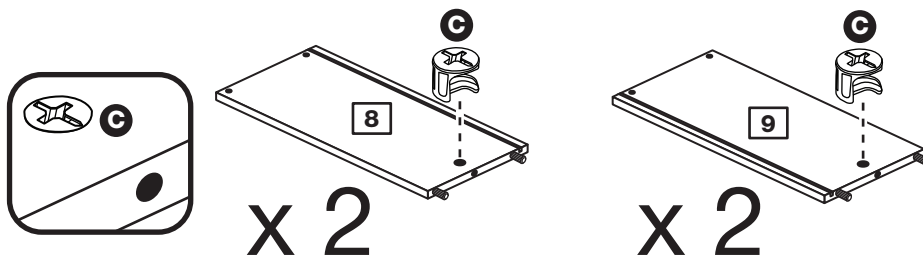
If you have damaged or missing components, call the Customer Helpline: 03456 400800 quoting the reference numbers below

Step 1

Prepare the 4 drawer sides

Insert a small locking nut **C** into the hole shown on each of the 2 left drawer sides **8** and 2 right drawer sides **9**.

Note: The arrow on the locking nut **must** point towards the hole in the edge of the panel.



Step 2

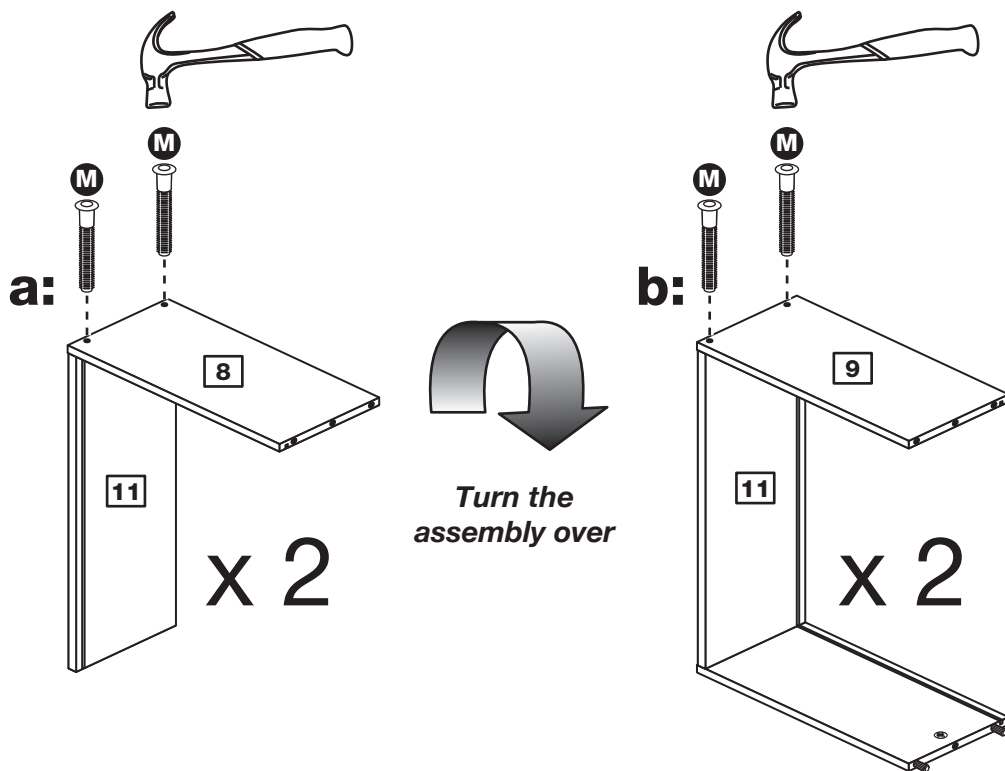
Fit the drawer sides to the drawer back

Make sure that the grooves on the inside of the drawer assembly line up.

a: With the drawer back **11** in an upright position tap 2 knock-in pegs **M** through the holes in the left drawer side **8**.

Turn the assembly over

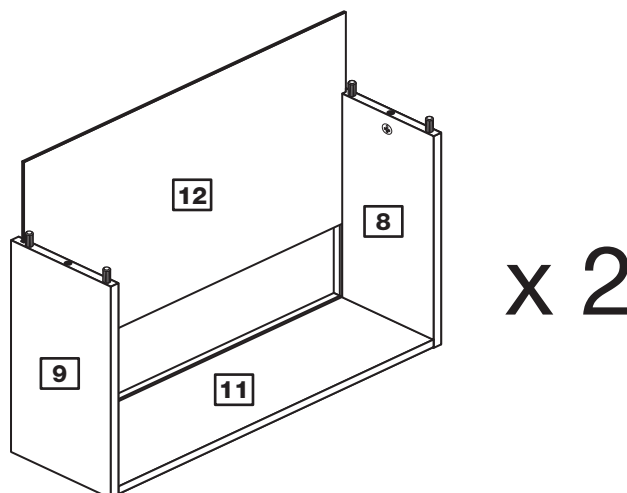
b: Hold the drawer back **11** in position and tap 2 knock-in pegs **M** through the holes in the right drawer side **9**.



Step 3

Fit the drawer base

Slide the drawer base **12** down the grooves in the drawer sides **8** and **9** and down into the groove in the drawer back **11**.



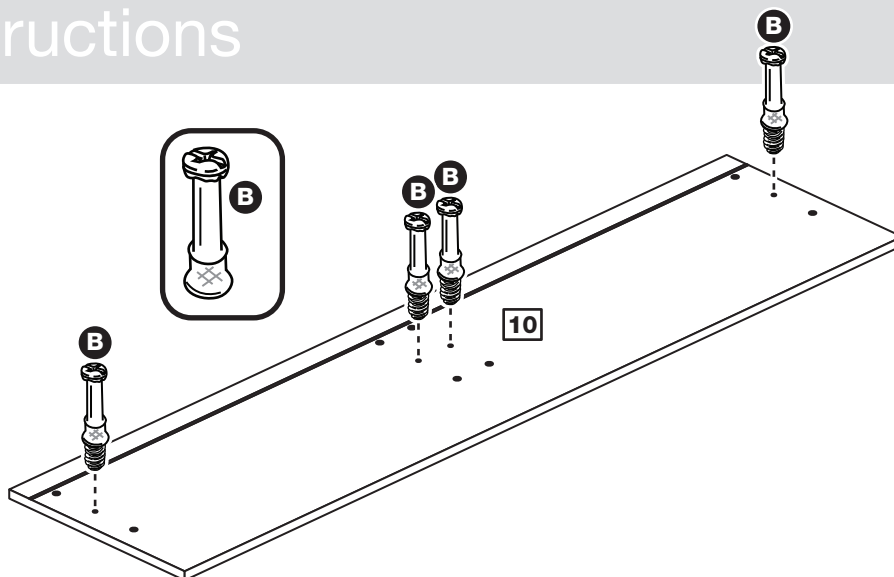
Assembly Instructions

Step 4

Prepare the drawer front

Screw 4 metal dowels **B** into the drawer front **10**.

Note: Tighten the metal dowels up fully against the panels.



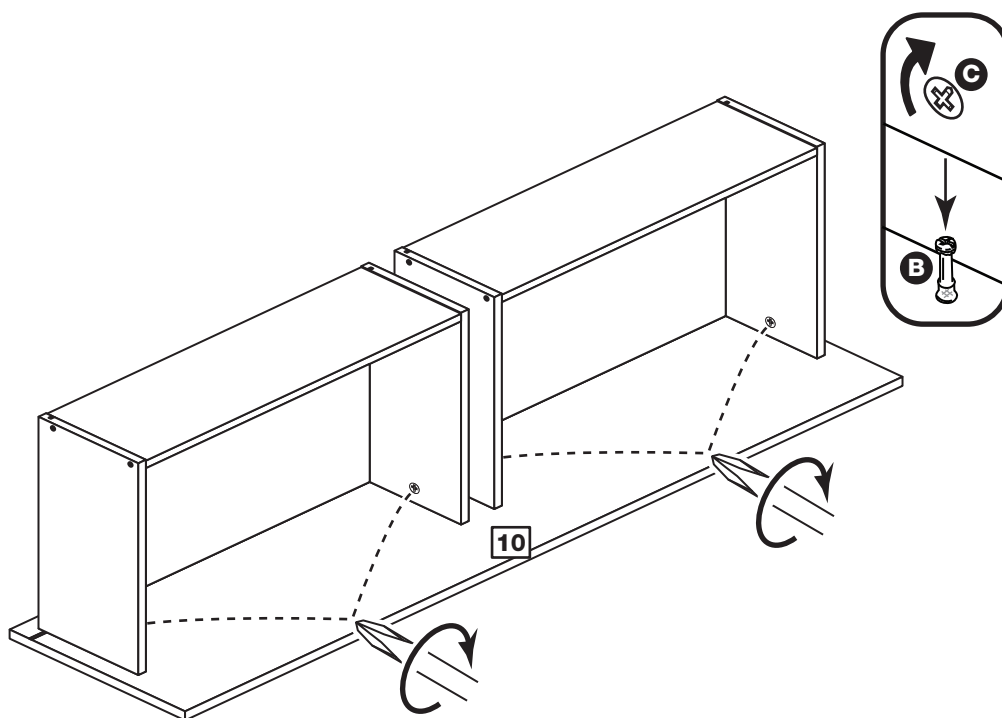
Step 5

Fit the drawer front

Lower the 2 drawer assemblies down onto the back of the drawer front **10**.

Use a screwdriver to tighten the 4 small locking nuts **C** fitted to the drawer sides.

Note: Turn the small locking nuts **C** as far as they will go - more than 1/2 a turn.



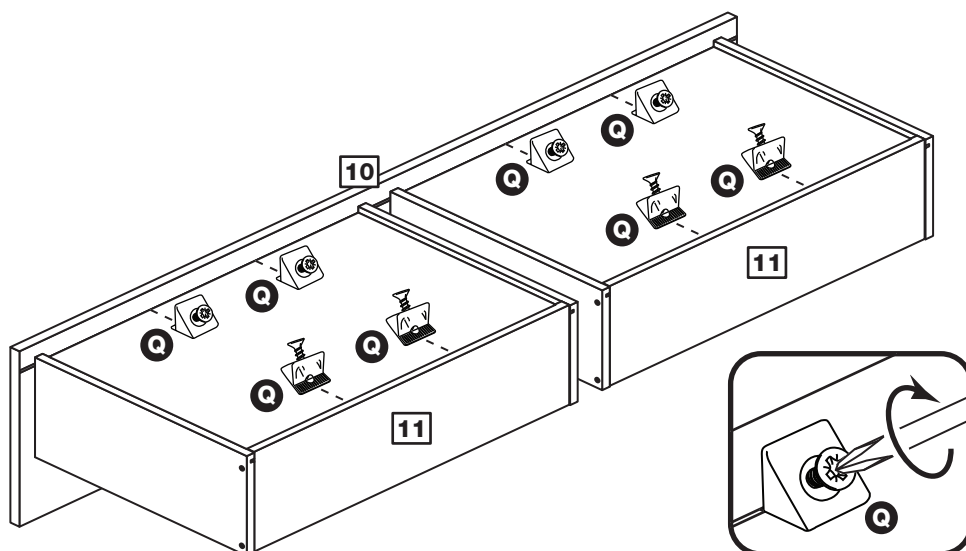
Step 6

Fit the wedgexes

Turn the drawer assembly over.

Slide the wedgexes **Q** into the small groove in the drawer front **10** and the drawer backs **11**, as shown.

Once in place, tighten up the screws.



Assembly Instructions

Step 7

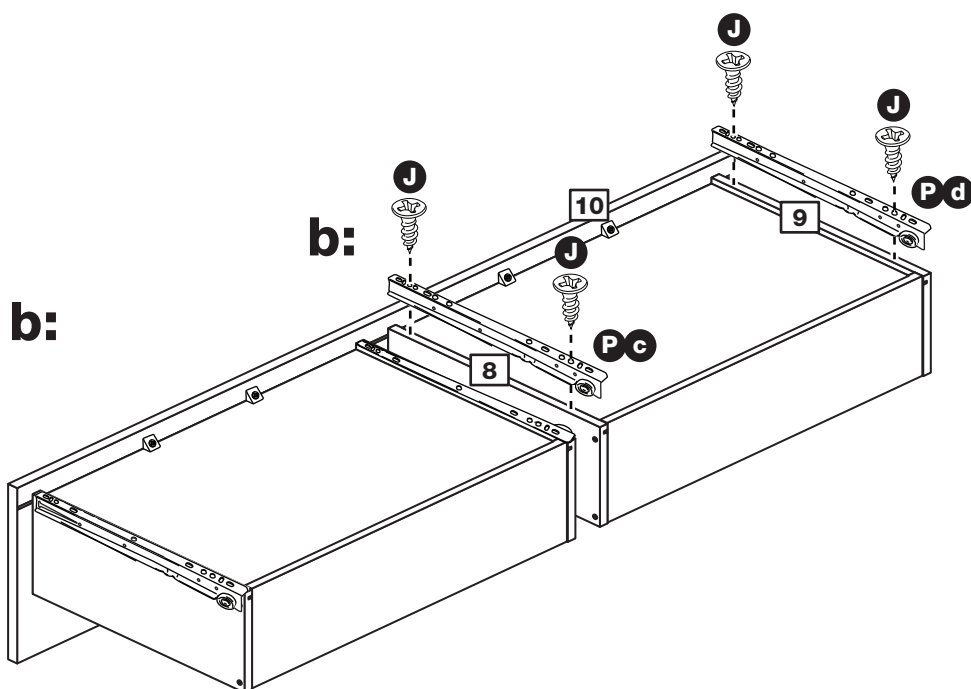
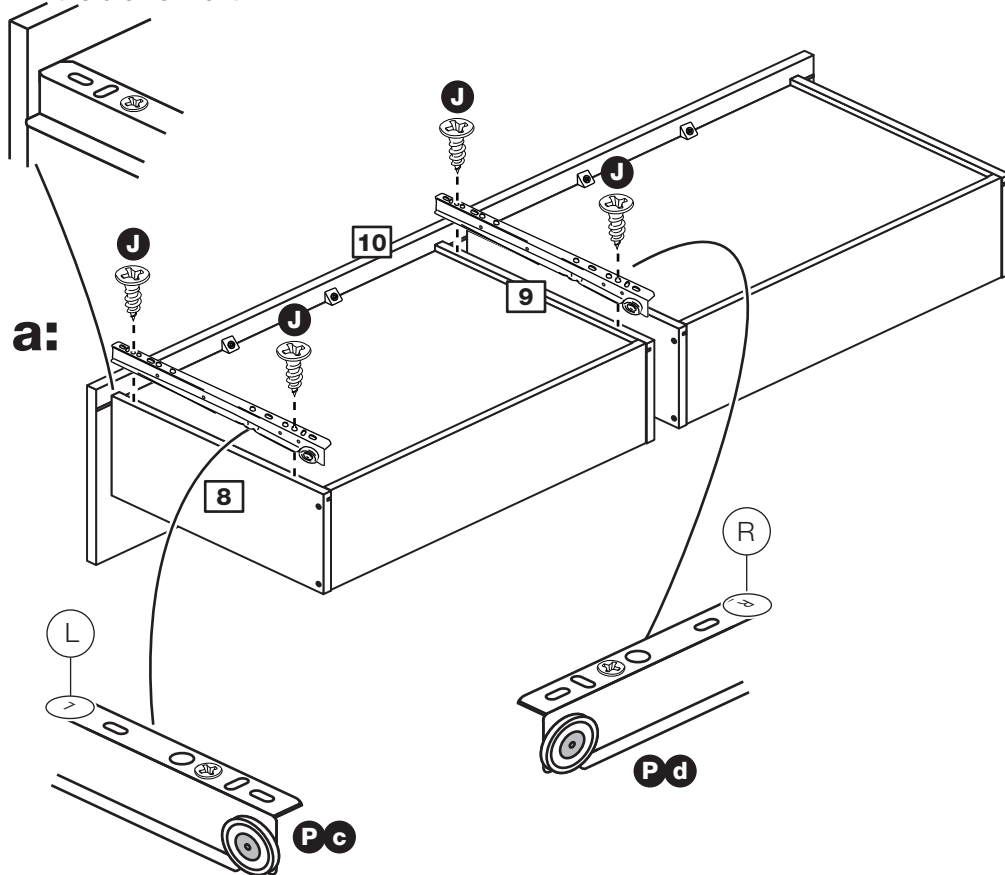
Fit the runners to the drawer sides

a: Fit a runner **Pc** to the bottom edge of the left drawer side **8**, as shown, making sure that it is pushed up against the back of the drawer front **10**. Use a bradawl to mark the fixing positions, then secure with 2 screws **J**.

Fit a runner **Pd** to the bottom edge of the right drawer side **9** using the same method.

b: Repeat the instructions above to fit the runners to the other drawer sides.

Runners must be pushed up against the drawer front



Assembly Instructions

Step 8

Prepare the right side

a: Tap a wooden dowel **A** into the right side **2**.

Note: Wooden dowels **must not** stick out from the edge by more than 10mm or they may damage other panels.

Screw 4 metal dowels **B** into the right side **2**.

b: Insert 2 large locking nuts **F** into the right side **2**.

Note: The arrow on the locking nut **must** point towards the hole in the edge of the panel.

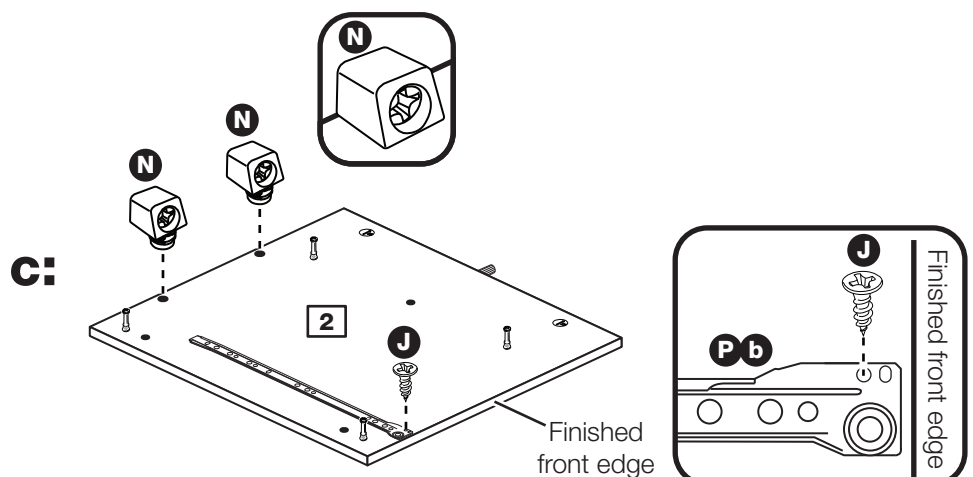
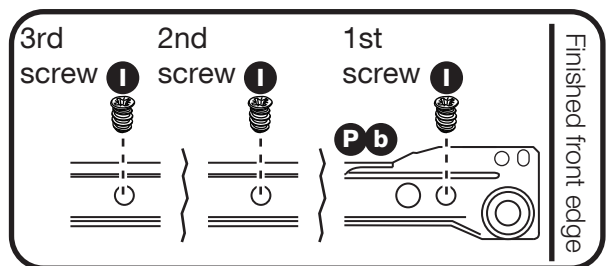
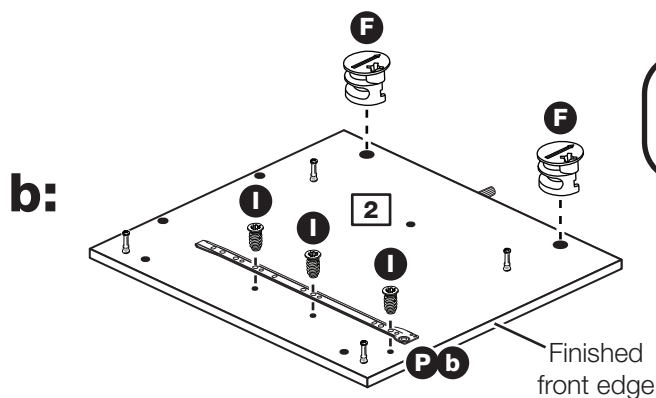
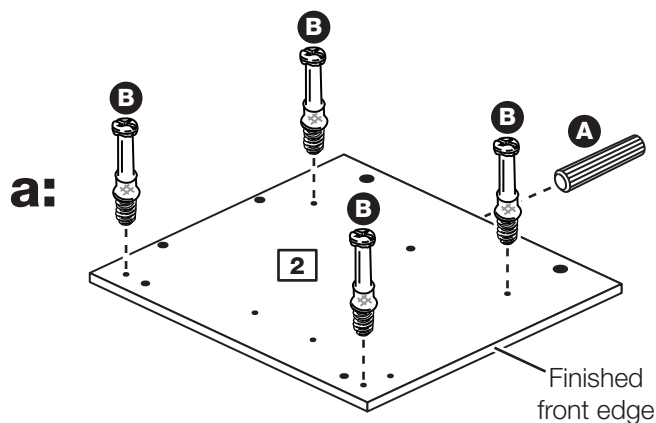
Fit the runner **Pb** to the right side **2**.

The 1st screw **I** uses the 1st hole in from the front of the runner.

The 2nd and 3rd screws **I** use the holes that line up with the other panel holes.

c: Fit a screw **J** into the 2nd hole in at the top of the runner **Pb**.

Gently tap 2 mini blocks **N** into the right side **2**, orientated as shown.



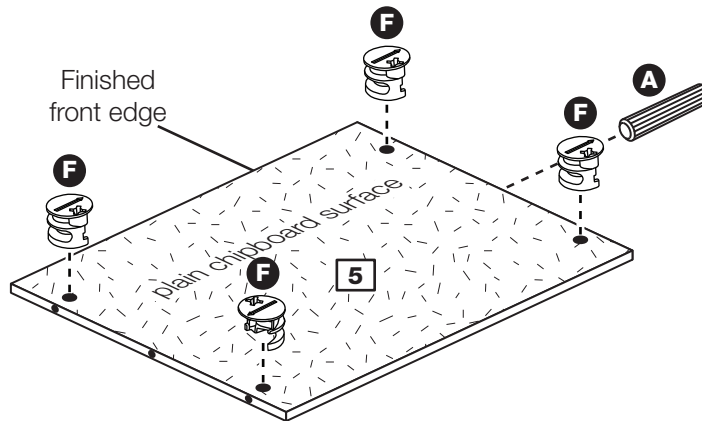
Assembly Instructions

Step 9

Prepare one of the horizontals

Tap a wooden dowel **A** into a horizontal **5**.

Insert 4 large locking nuts **F** into a horizontal **5**.



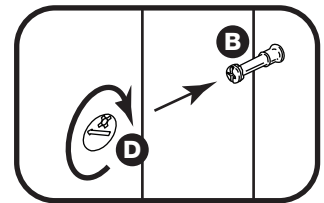
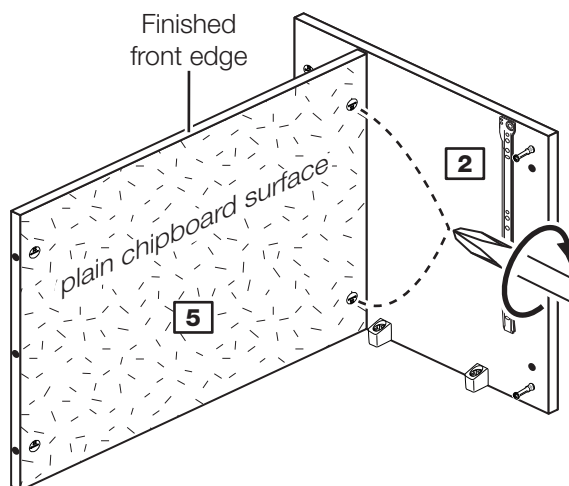
Step 10

Fit the horizontal to the right side

Push the horizontal **5** onto the right side **2**.

Use a screwdriver to tighten the 2 large locking nuts **F** fitted to the horizontal **5**.

Note: Turn the large locking nuts **F** as far as they will go - more than 1/2 a turn.

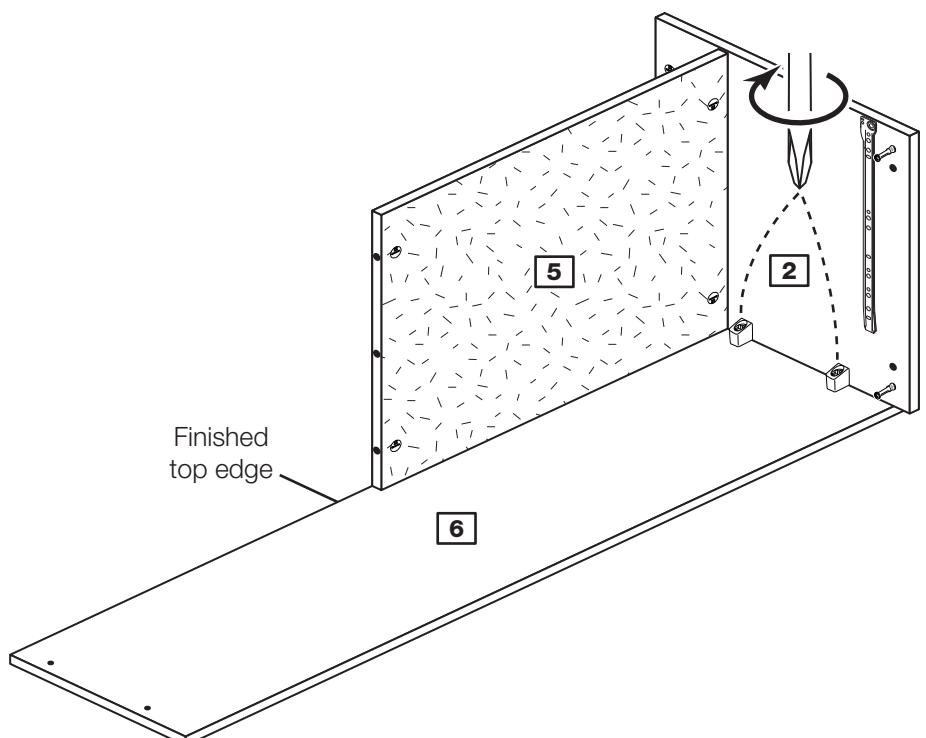


Step 11

Fit the back to the right side

Position the right side **2** so that the screws from the mini blocks **N** are over the holes in the back **6**.

Tighten up the screws in the 2 mini blocks **N** into the holes in the back **6**.



Assembly Instructions

Step 12

Prepare the divider

a: Tap a wooden dowel **A** into the divider **3**.

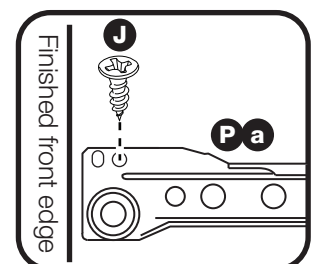
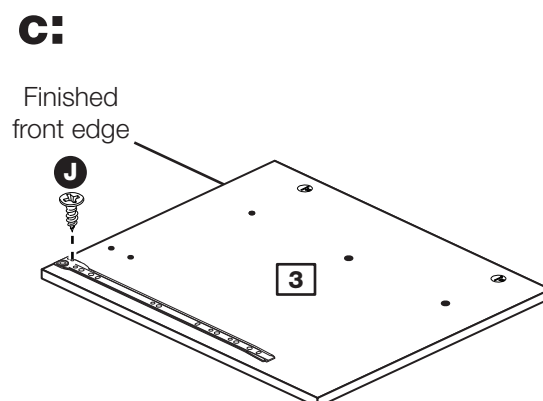
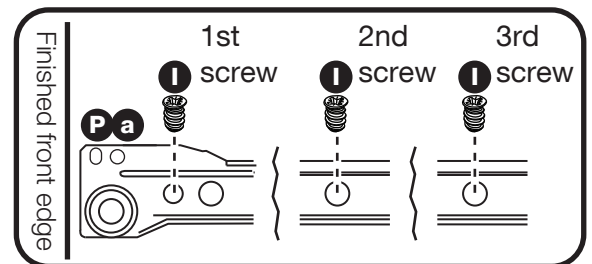
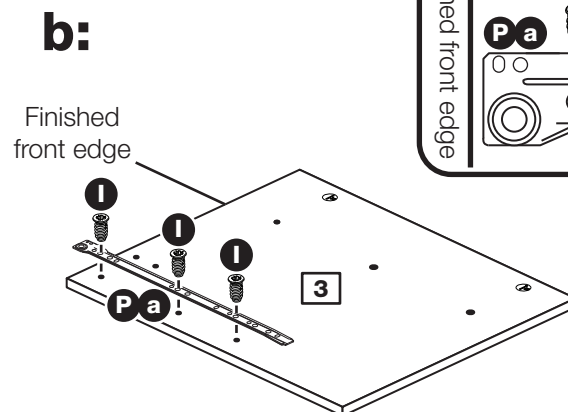
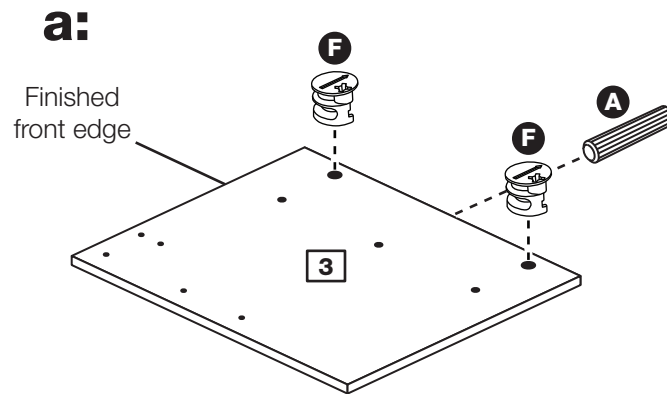
Insert 2 large locking nuts **F** into the divider **3**.

b: Fit the runner **Pa** to the divider **3**.

The 1st screw **I** uses the 1st hole in from the front of the runner.

The 2nd and 3rd screws **I** use the holes that line up with the other panel holes.

c: Fit a screw **J** into the 2nd hole in at the top of the runner **Pa**.



Assembly Instructions

Step 13

Prepare the other surface of the divider

a: Fit the runner **Pb** to the divider **3**.

The 1st screw **I** uses the 1st hole in from the front of the runner.

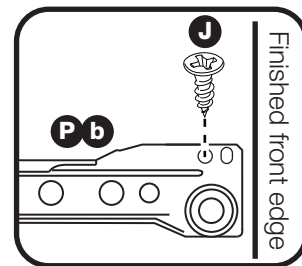
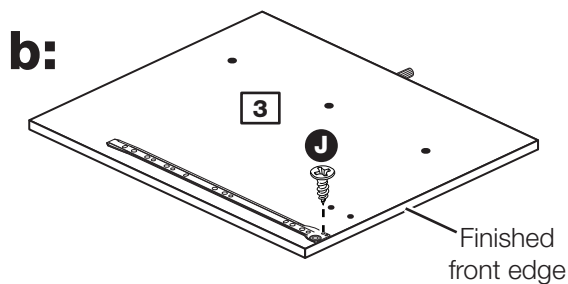
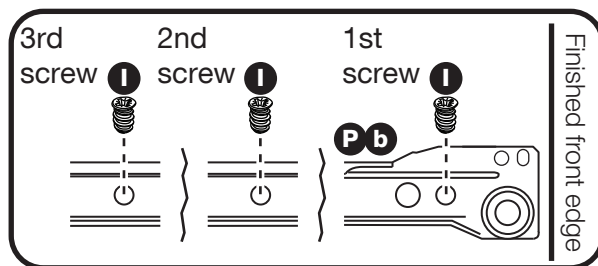
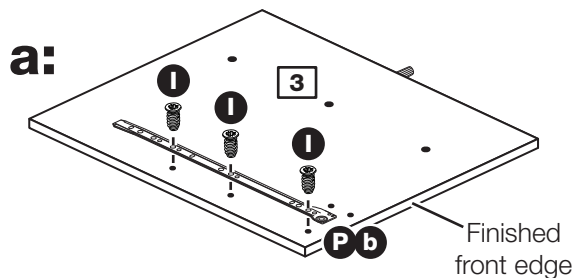
The 2nd and 3rd screws **I** use the holes that line up with the other panel holes.

b: Fit a screw **J** into the 2nd hole in at the top of the runner **Pb**.

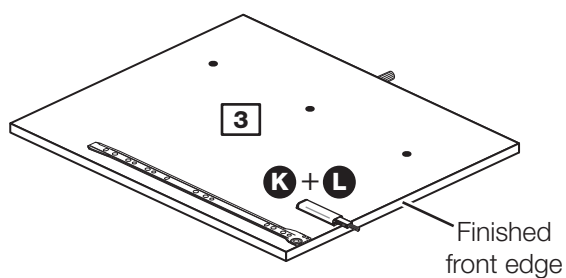
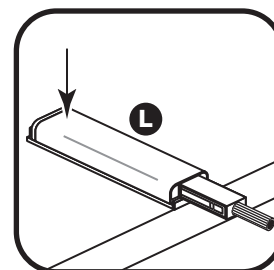
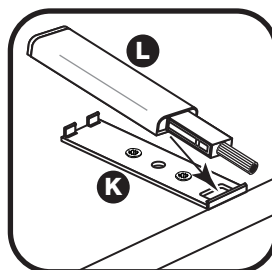
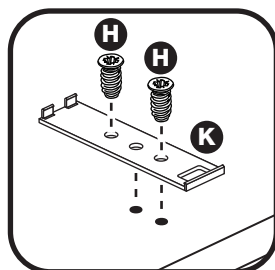
c: Fit a door plate **K** to the divider **3** using 2 screws **H**.

Press the door push **L** into the door plate **K**.

Press down the back of the door push **L** to click into place.



c:



Assembly Instructions

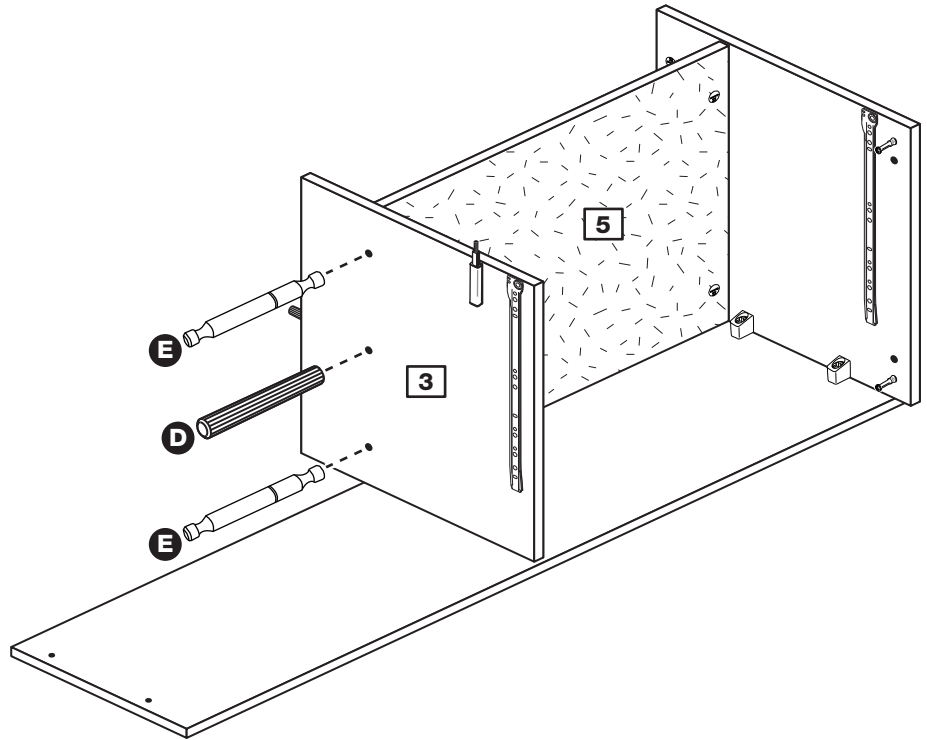
Step 14

Fit the divider

Position the divider **3** against the horizontal **5** and line up their holes.

Gently tap the large wooden dowel **D** through the divider **3** and into the horizontal **5** until it "bottoms out".

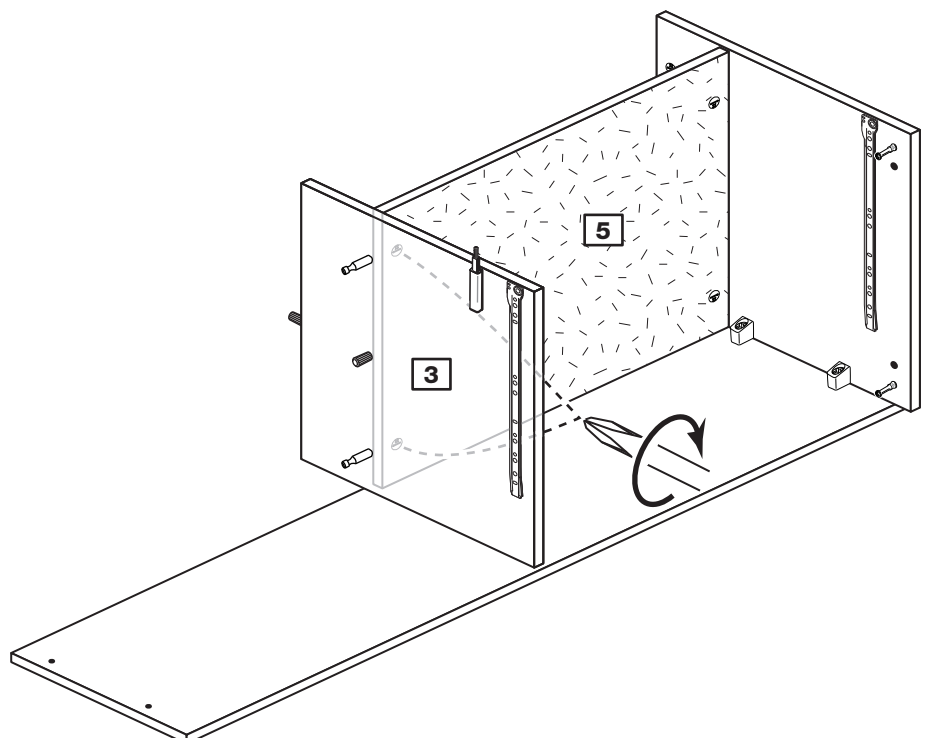
Gently tap the 2 double metal dowels **E** through the divider **3** and into the horizontal **5** until they "bottom out".



Step 15

Secure the divider

Use a screwdriver to tighten the 2 large locking nuts **F** fitted to the horizontal **5**.



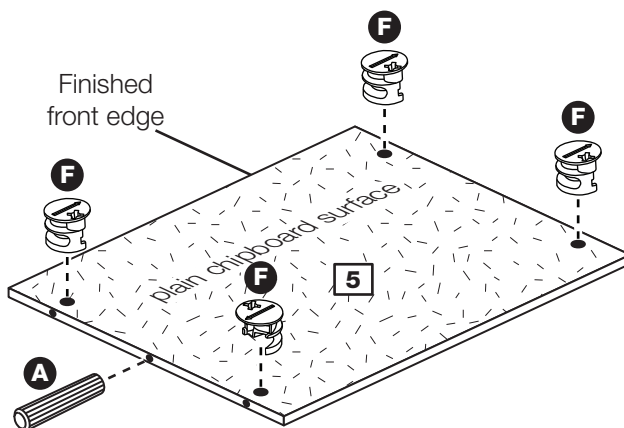
Assembly Instructions

Step 16

Prepare the other horizontal

Tap a wooden dowel **A** into the horizontal **5**.

Insert 4 large locking nuts **F** into the horizontal **5**.

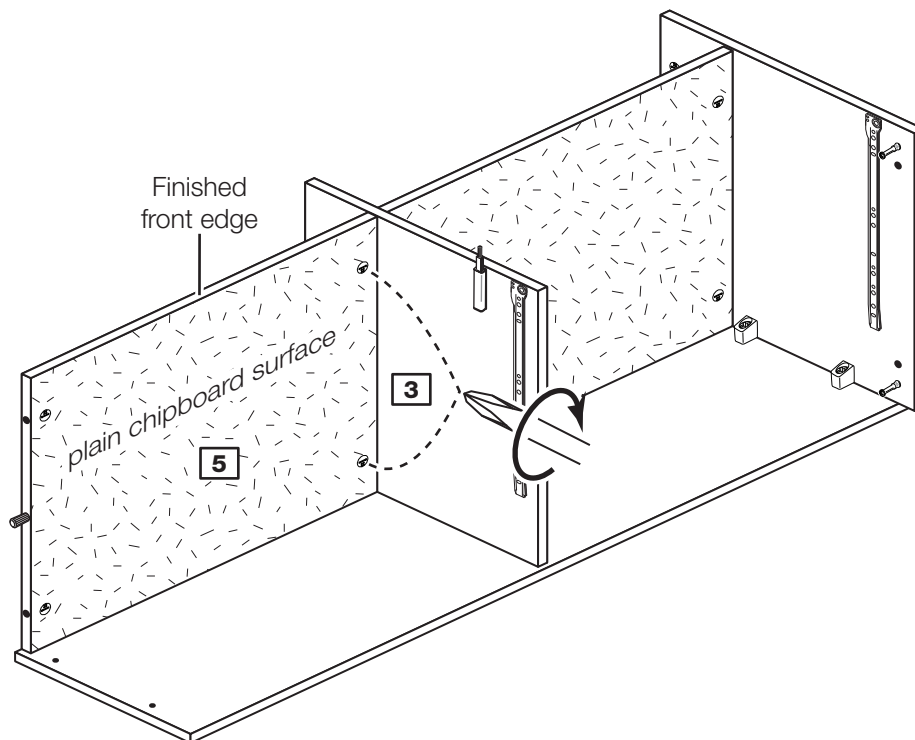


Step 17

Fit the horizontal

Push the horizontal **5** onto the divider **3**.

Use a screwdriver to tighten the 2 large locking nuts **F** fitted to the horizontal **5**.

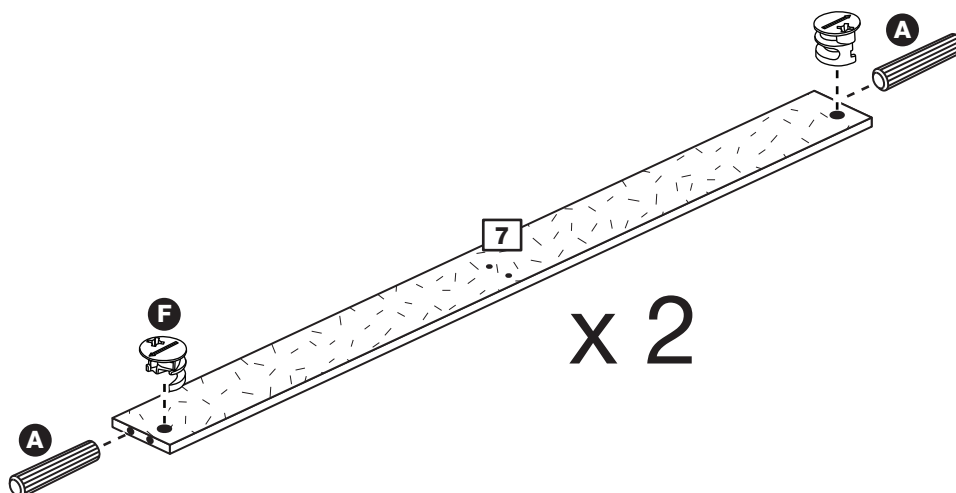


Step 18

Prepare the 2 rails

Tap 2 wooden dowels **A** into each of the rails **7**.

Insert 2 large locking nuts **F** into each of the rails **7**.



Assembly Instructions

Step 19

Prepare the left side

a: Tap a wooden dowel **A** into the left side **1**.

Screw 4 metal dowels **B** into the left side **1**.

b: Insert 2 large locking nuts **F** into the left side **1**.

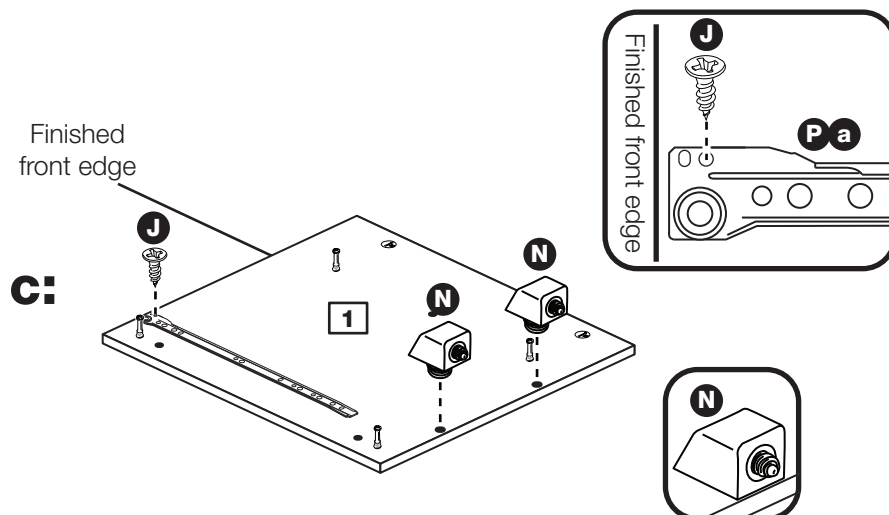
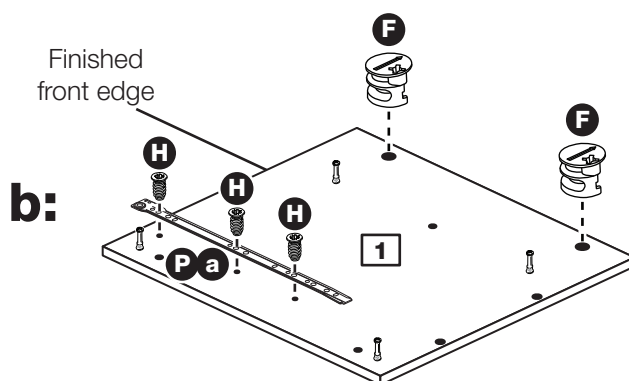
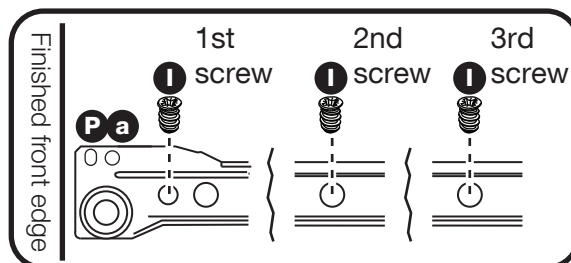
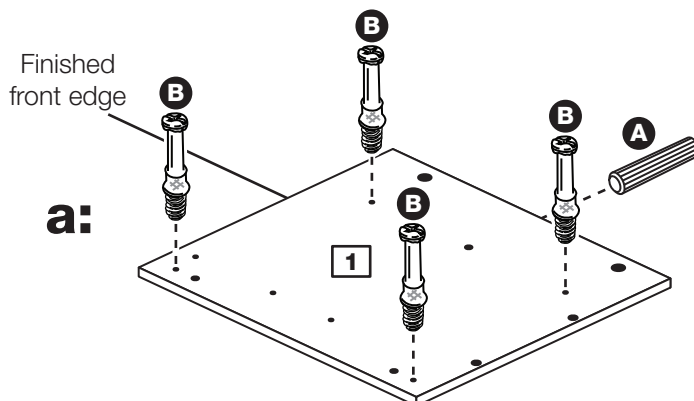
Fit the runner **Pa** to the left side **1**.

The 1st screw **I** uses the 1st hole in from the front of the runner.

The 2nd and 3rd screws **I** use the holes that line up with the other panel holes.

c: Fit a screw **J** into the 2nd hole in at the top of the runner **Pa**.

Gently tap 2 mini blocks **N** into the left side **1**, orientated as shown.



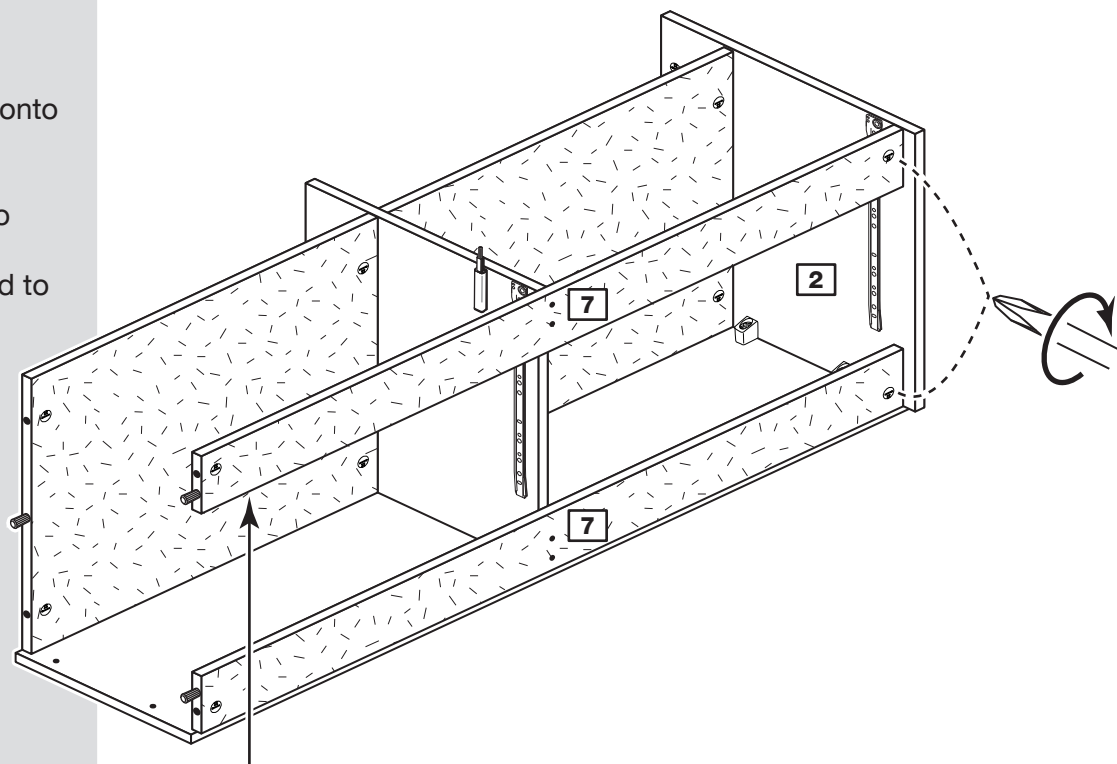
Assembly Instructions

Step 20

Fit the 2 rails

Push the 2 rails **7** onto the right side **2**.

Use a screwdriver to tighten the 2 large locking nuts **F** fitted to the rails **7**.



Note: Support this rail until the left side has been fitted in the next step.

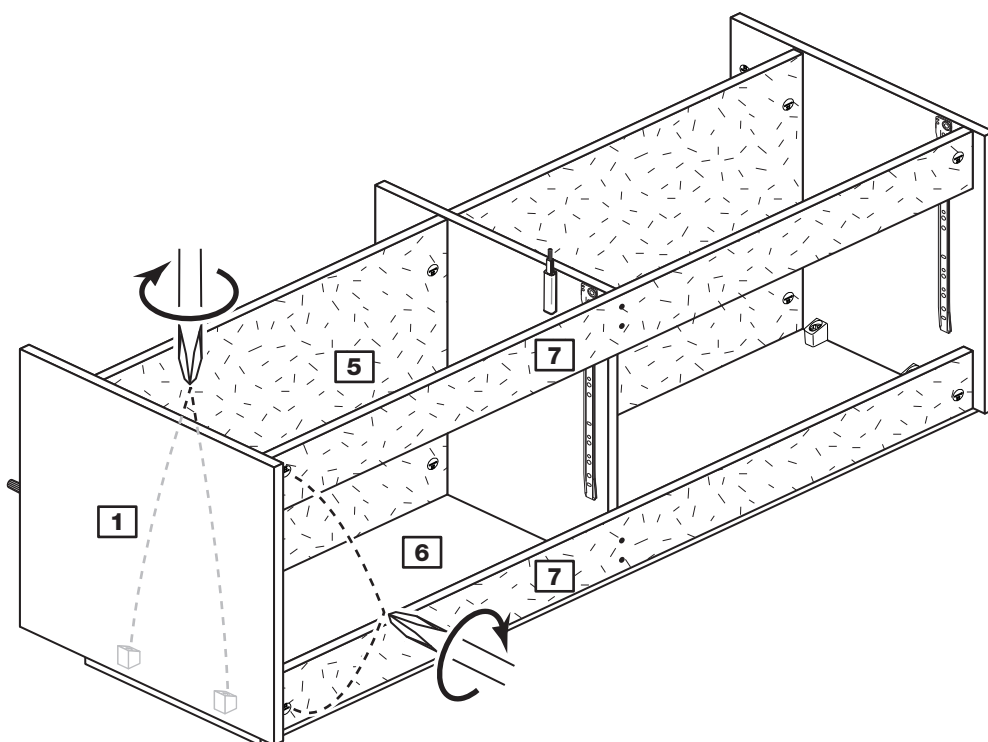
Step 21

Fit the left side

Push the left side **1** onto the horizontal **5** and the 2 rails **7**.

Use a screwdriver to tighten the 2 large locking nuts **F** fitted to the rails **7**.

Tighten up the screws in the 2 mini blocks **N** into the holes in the back **6**.

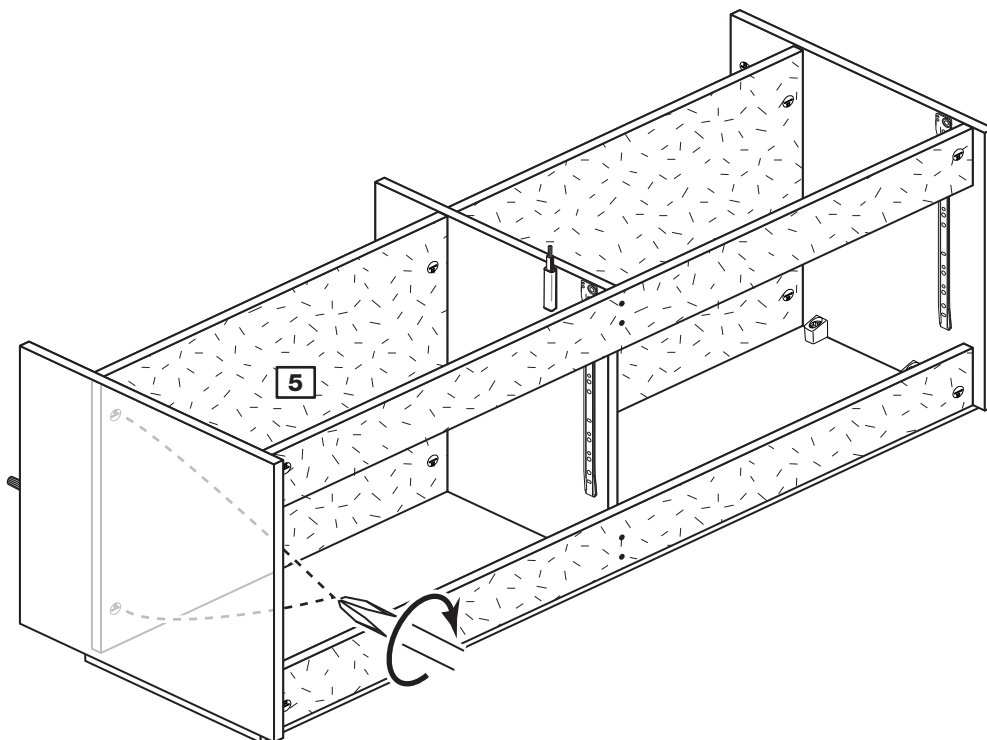


Assembly Instructions

Step 22

Secure the left side

Use a screwdriver to tighten the 2 large locking nuts **F** fitted to the horizontal **5**.



Step 23

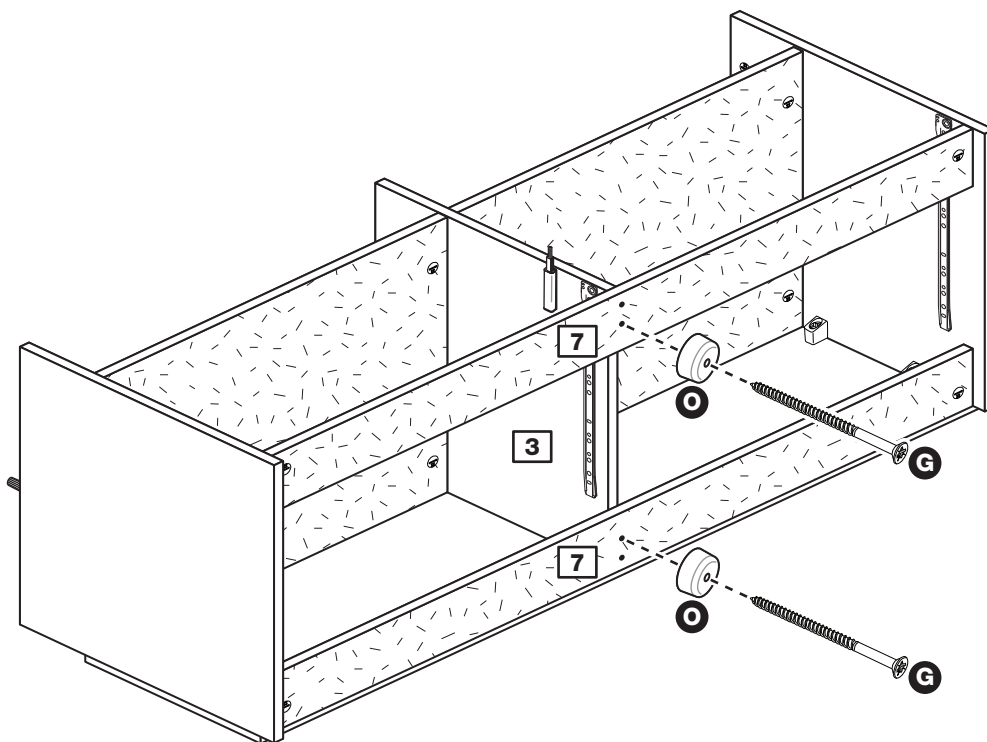
Fit the 2 feet

Screw a foot **O** onto each of the 2 rails **7** and on into the bottom edge of the divider **3** using screws **G**.

Carefully stand the unit up for the next step.



Warning: The unit is heavy. Lift with care.

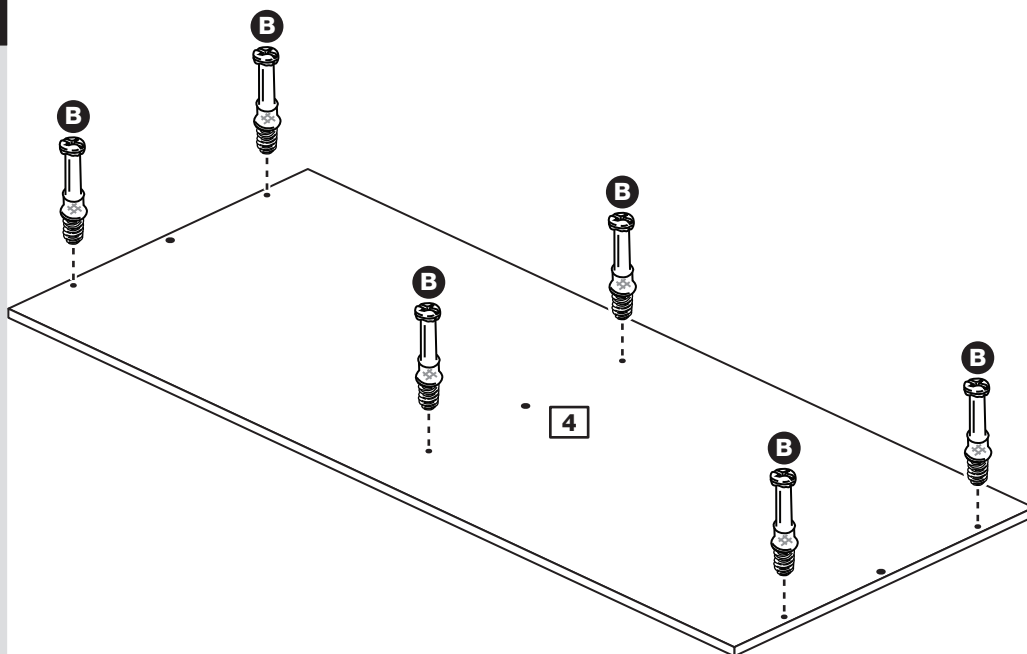


Assembly Instructions

Step 24

Prepare the top

Screw 6 metal dowels **B** into the top **4**.

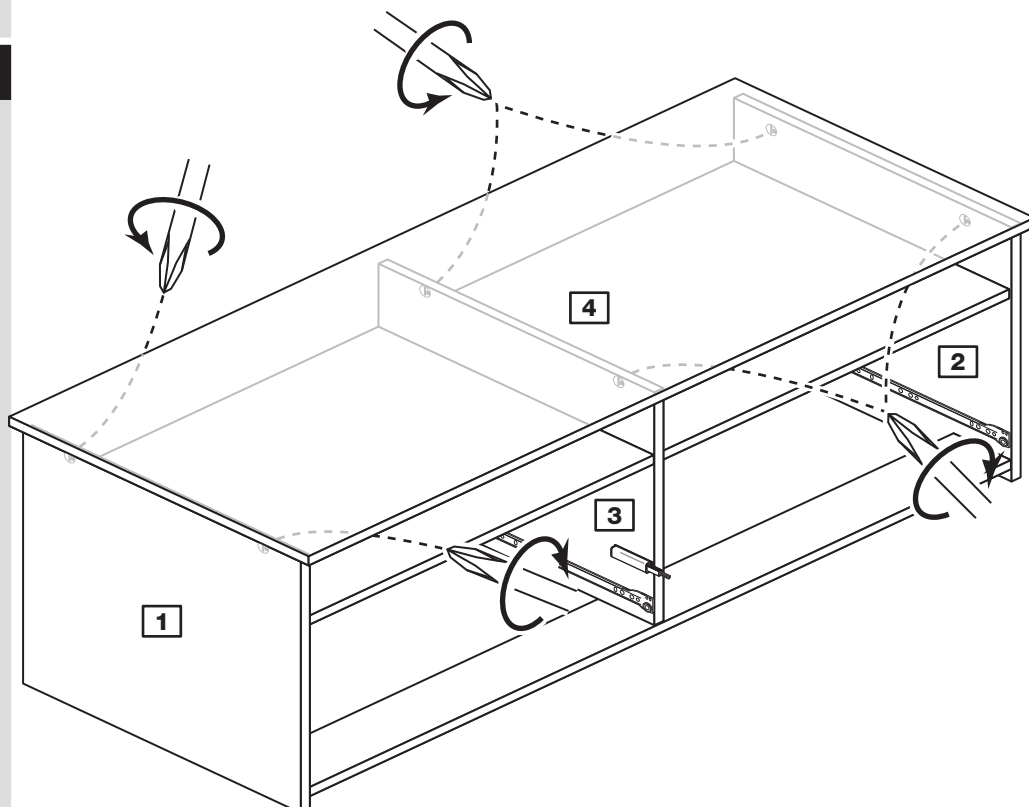


Step 25

Fit the top

Lower the top **4** down onto the assembly.

Use a screwdriver to tighten the 6 large locking nuts **F** fitted to the left side **1**, right side **2** and divider **3**.



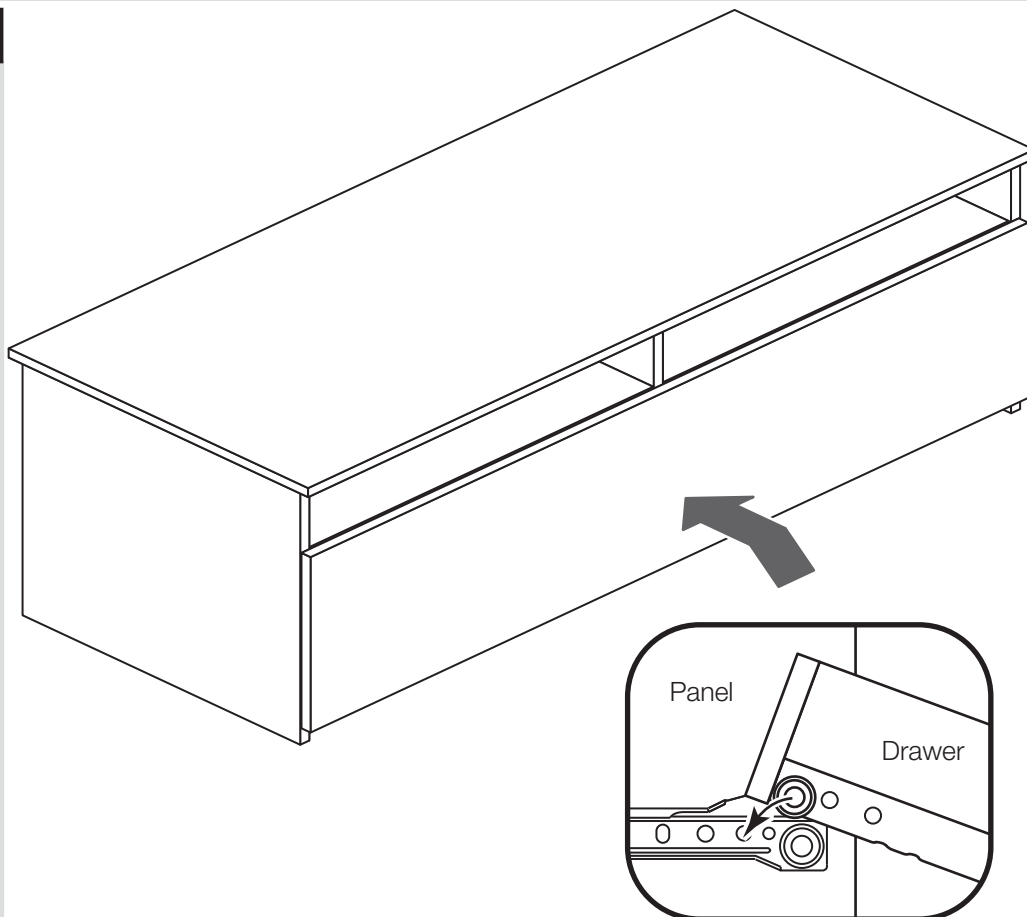
Assembly Instructions

Step 26

Fit the drawer

Slide the wheels of the runners fitted to the drawer, over the wheels of the runners fitted to the side and divider panels and push the drawer into position.

Assembly is complete



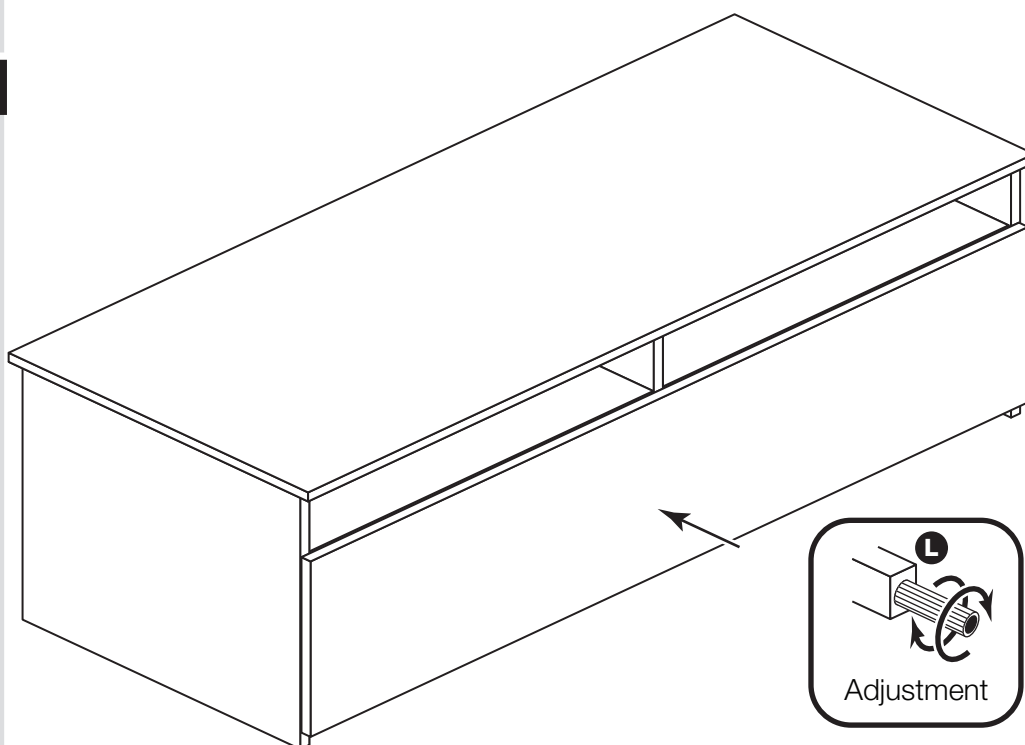
Note: Now the assembly has finished you can remove any protective film from the panels.

Step 27

Opening the drawer

To open and close the drawer, press where the door push is located.

You can adjust the door push, in or out, by turning it clockwise or anti-clockwise to suit your requirements.



If you need help or have damaged or missing parts, call the **Customer Helpline: 03456 400800** and quote the reference numbers on the component pages.

Argos Ltd, 489-499 Avebury Boulevard, Central Milton Keynes, MK9 2NW

