



CYLINDER VACUUM

Bagless Cleaner



1·2·3...

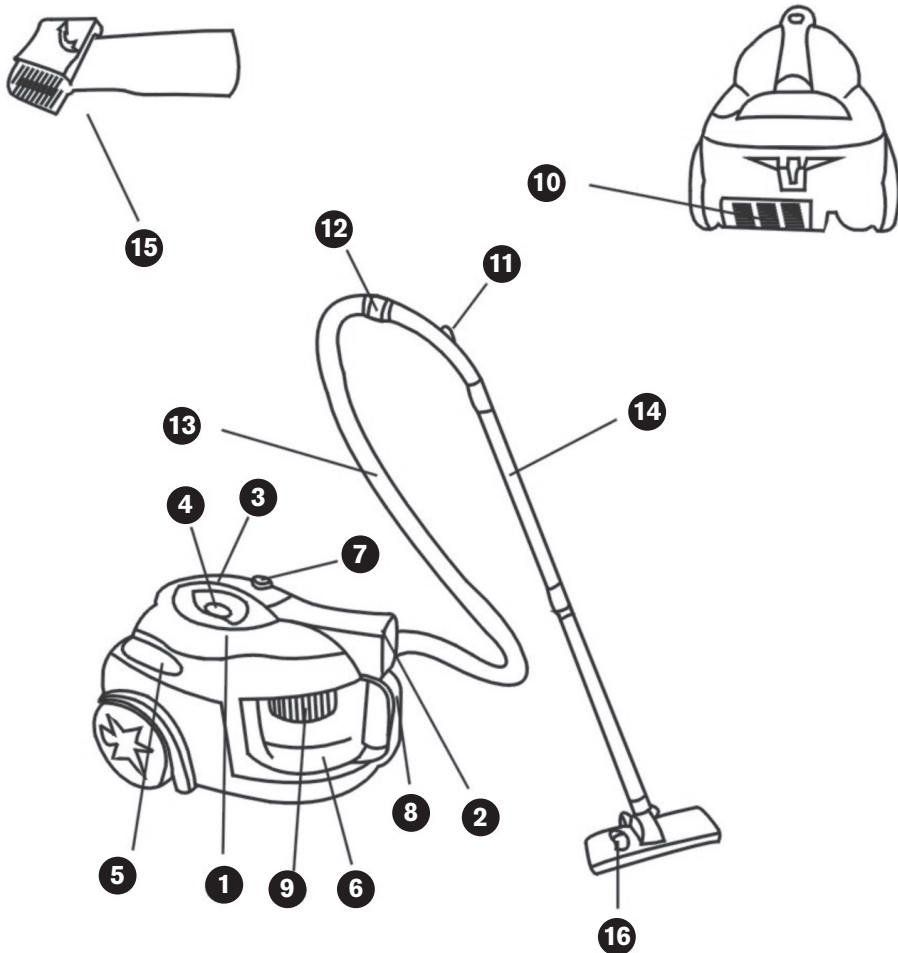
USER GUIDE

DDC06-E01/DDC06-P01



LET'S GO.™

1 OVERVIEW



MACHINE OVERVIEW

- 1 Lid
- 2 Hose inlet
- 3 Carry handle
- 4 On/off switch-button
- 5 Cable rewind button
- 6 Dirt container
- 7 Dirt container release button
- 8 Dirt container handle
- 9 Filter
- 10 Post motor filter
- 11 Air vent
- 12 Hose handle
- 13 Flexible hose
- 14 Extension tube (plastic)
- 15 Multi purpose nozzles (dusting brush and crevice tool)
- 16 Combi tool

TABLE OF CONTENTS

1 Overview of your vacuum	<u>2</u>
Technical data	3
Guarantee	3
2 Safety instructions	<u>4</u>
3 Before use	<u>6</u>
3.1 Selecting a tool/accessory	6
3.2 Assembly	7
4 Use	<u>8</u>
4.1 Operational safety	8
4.2 How to Use	8
4.3 Switching off	9
4.4 Transport and storage	9
5 Maintenance	<u>10</u>
5.1 Empty the dirt container	10
5.2 Cleaning dirt container and pre-motor filter	11
5.3 Cleaning the post-motor filter	12
5.4 Spare parts and accessories	13
5.5 Troubleshooting	14

Technical Data

Type of appliance:	Bagless Cylinder Vacuum Cleaner
Model name:	QuickPower
Model number:	DDC06-E01 / DDC06-P01
Voltage:	220 – 240V ~, 50 Hz
Power:	1,000W
Dirt bin capacity:	1.5
Power cord length:	5 m
Weight:	5.5 kg



We reserve the right to make changes to technical and design specifications in the interest of continuous product improvement. © Dirt Devil.



LIMITED GUARANTEE

It's quick and easy to register for your free 1 year guarantee online at www.DirtDevil.co.uk.

Please retain your original receipt for proof of purchase. Please make a note of the serial number and model number of the product before calling.

WARNING

BASIC SAFETY PRECAUTIONS

- This vacuum cleaner is intended for household use only and NOT for commercial or industrial use.
- Only use the vacuum cleaner indoors on dry surfaces and keep the area you're cleaning well lit.
- Keep fingers, hair and loose clothing away from moving parts and openings whilst using the vacuum cleaner.
- This vacuum cleaner can be used by children aged from 8 years and above and persons with reduced physical, sensory or mental capabilities or lack of experience and knowledge if they have been given supervision or instruction concerning use of the vacuum cleaner in a safe way and understand the hazards involved. Children shall not play with the vacuum cleaner. Cleaning and user maintenance shall not be made by children without supervision.
- Only Dirt Devil recommended tools should be used with the vacuum cleaner, use of non-branded Dirt Devil accessories/tools will invalidate your guarantee.

DON'TS

- Don't use the vacuum cleaner if it has been dropped, damage or left outdoors.
- Don't run over the power cord or use vacuum cleaner if the power cord or plug is damaged. Please contact our Customer Service on: 0330 026 2626 (Mon-Fri 9:00am-5:00pm).
- Don't handle the plug or use the vacuum cleaner with wet hands.
- Don't pull or carry the vacuum cleaner by the power cord.
- Don't use the power cord as a handle, pull the power cord around corners, sharp edges or close a door over the power cord.
- Don't unplug the vacuum cleaner by pulling on the power cord.
- Don't vacuum up any flammable or combustible materials (lighter fluid, petrol, kerosene etc) or use the vacuum cleaner in an area with explosive vapours or liquid.
- Don't vacuum up hot coals, cigarette butts, matches or smoking hot burning items



WARNING



DON'TS CONTINUED...

- or use in an area where there may be harmful fluids (chlorine, bleach, and ammonia drain cleaner).
- Don't attempt to remove blockages with sharp objects as this may cause damage to the vacuum cleaner, remove blockages only as instructed in this guide.
 - Don't vacuum up hard or sharp objects such as glass, nails, screws or coins etc.
 - Don't use the vacuum cleaner with incorrect voltage as this may result in damage or injury to the user. The correct voltage is listed on the ratings label.

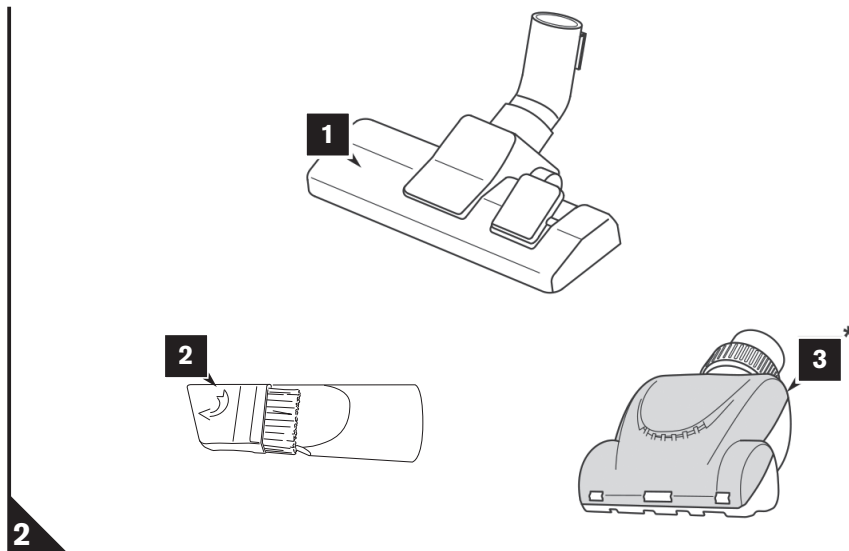
DO'S

- Turn off all controls on the vacuum cleaner before disconnecting or connecting the plug from the mains socket.
- Always make sure both the pre-motor/post-motor filters are in place before use.
- Take extra care when using and positioning the vacuum cleaner on the stairs
- Always switch off the vacuum cleaner before disconnecting or connecting the hose and accessories.
- Keep all openings clear and free from debris as this may affect the airflow/suction.
- Always replace the fuse in the plug with a British 13amp fuse. Always protect the power cable from heated surfaces and open flames.
- Use only CE approved 13amp extension cords, non-approved extension cords may overheat. Care should be taken to arrange the extension cord as it can be a trip hazard.
- Store the vacuum cleaner in a cool, dry area. If the filters have been cleaned as per the user guide instructions ensure they are thoroughly dry before storing away.

PLEASE KEEP INSTRUCTIONS FOR FURTHER USE AND USE ONLY AS INSTRUCTED IN THIS GUIDE.

3 BEFORE USE

3.1 SELECTING A TOOL/ACCESSORY



1. Select the tool/accessory according to the surface to be cleaned:

- **Combi tool (Fig. 2.1):**
Floor tool for cleaning both carpets and hard flooring.
- **2 in 1 tool (Fig. 2.2):**
Dusting brush and crevice tool.
- **Turbo tool (Fig. 2.3*):**
Is used to vacuum stairs, upholstery, car interiors and pet hairs.

***Some models only.**

2. Check the selected tool/accessory for damage.

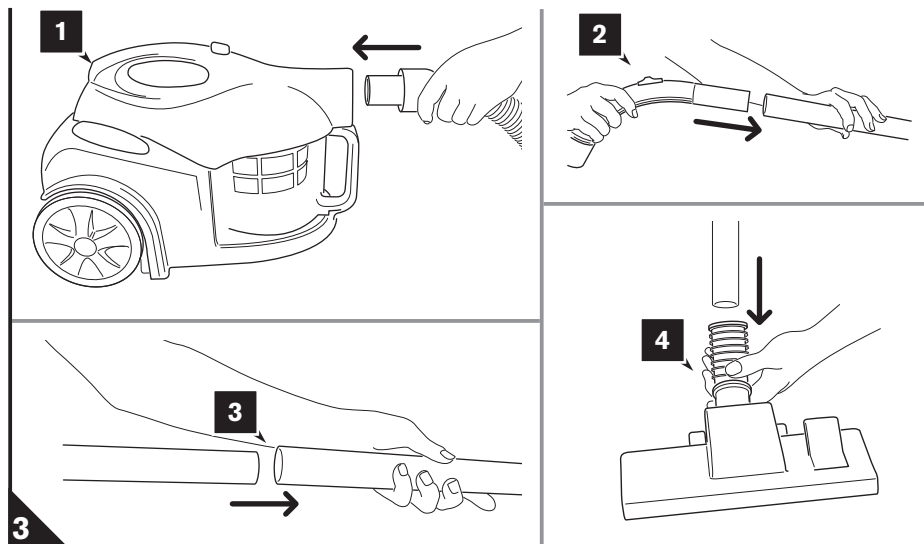
⚠ ATTENTION: Use only intact tool/accessory. If damaged, the nozzle may allow dust to escape or scratch the surface.

CAUTION

Before vacuuming, make sure that the fitted tool/ accessory suits the surface to be cleaned. Also observe the flooring manufacturer's recommendations.

BEFORE
USE

3.2 ASSEMBLY



 **IMPORTANT:** Risk of injury! Only attach the tool/accessory if the appliance is not connected to the power supply. The cylinder vacuum cleaner could be switched on by accident.

1. Press both buttons at the end of the hose and insert the hose into hose entry point (Fig. 3.1).
2. Insert the hose grip into the widest end of one of the extension tubes (Fig 3.2).
3. Push both extension tubes together (Fig 3.3).
4. Insert the other end of the extension tube into the floor head (Fig 3.4).

4 USE

⚠ CAUTION

Only use the cylinder vacuum cleaner when all filters are intact, dry and correctly fitted. Make sure that no objects obstruct the telescopic tube, the suction hose or other openings.

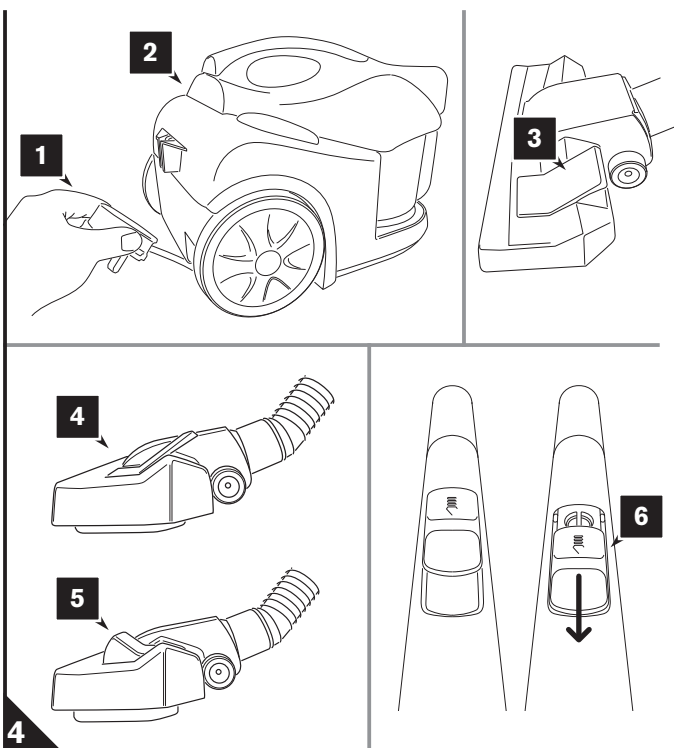
4.1 OPERATIONAL SAFETY

- ⚠ **IMPORTANT:** Risk of injury! Check machine and power cord before each use. A damaged machine must never be used.
- ⚠ **IMPORTANT:** Take extra care when positioning and using the vacuum cleaner on the stairs.
- ⚠ **IMPORTANT:** The vacuum cleaner is equipped with a thermal cut-out. If for any reason the vacuum cleaner does overheat the thermostat will automatically turn the vacuum cleaner off. If this happens, switch the vacuum cleaner off and unplug. Remove and empty the dirt container also check the vacuum cleaner for blockages. Allow the vacuum cleaner to cool for approximately 1 hour (if you have cleaned the filters please wait 24 hours for the filters to fully dry before putting back into the machine).

4.2 HOW TO USE

- ⚠ **IMPORTANT:** When unwinding the power cord do not pull further than the yellow marker.

1. Fully unwind the power cord. Do not pull past the yellow marker (Fig 4.1).
2. Plug into the mains socket and press the on/off button to switch the vacuum cleaner on (Fig 4.2).
3. For use on carpets click the rocker switch forward. For use on hard floors click the rocker switch back (Fig 4.3).
4. Raised brushes for carpets (Fig 4.4).
5. Lowered brushes for hard floors (Fig 4.5).
6. Slide vent cover on hose grip open to reduce suction if required (Fig 4.6).



- ⚠ **IMPORTANT:** When leaving your working-area, switch off the appliance and comply with the notices in chapter 4.3, "Switching off". This will help avoid accidents.

⚠ CAUTION

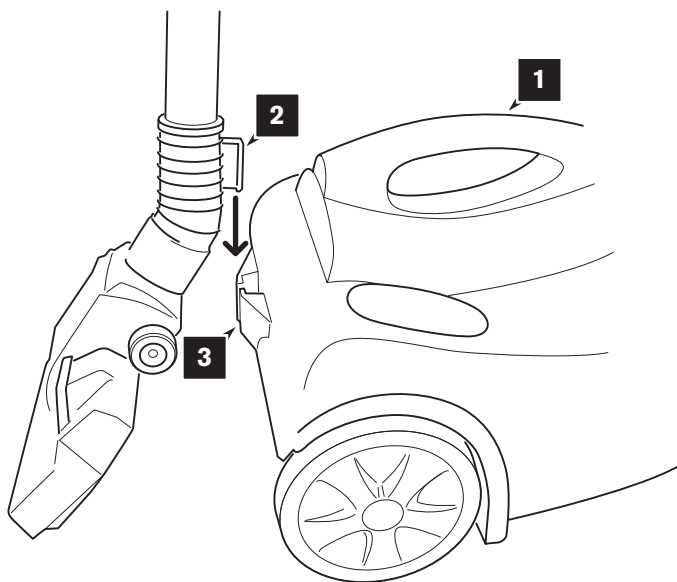
Never store the machine directly next to heat sources (e.g. heater, oven). Avoid exposure to direct sunlight. Heat can damage the machine.

4.3 SWITCHING OFF

1. Switch off the cylinder vacuum cleaner with the on/off switch and unplug from the mains.
2. Keep the plug in your hand.
3. To retract the power cord, push the cord retracting button.

4.4 TRANSPORT AND STORAGE

- Only carry the machine by its carrying-handle (Fig. 5/1).
- If you want to store the machine for longer period of time, empty the dirt container, > Chapter 5.1, 'Emptying the dirt container module'.
- Store the machine in a cool, dry place, out of the reach of children. For storage you can park the telescopic tube on the vacuum cleaner by inserting the parking-hook (Fig. 5/2) of the combi tool into the parking slot (Fig.5/3).



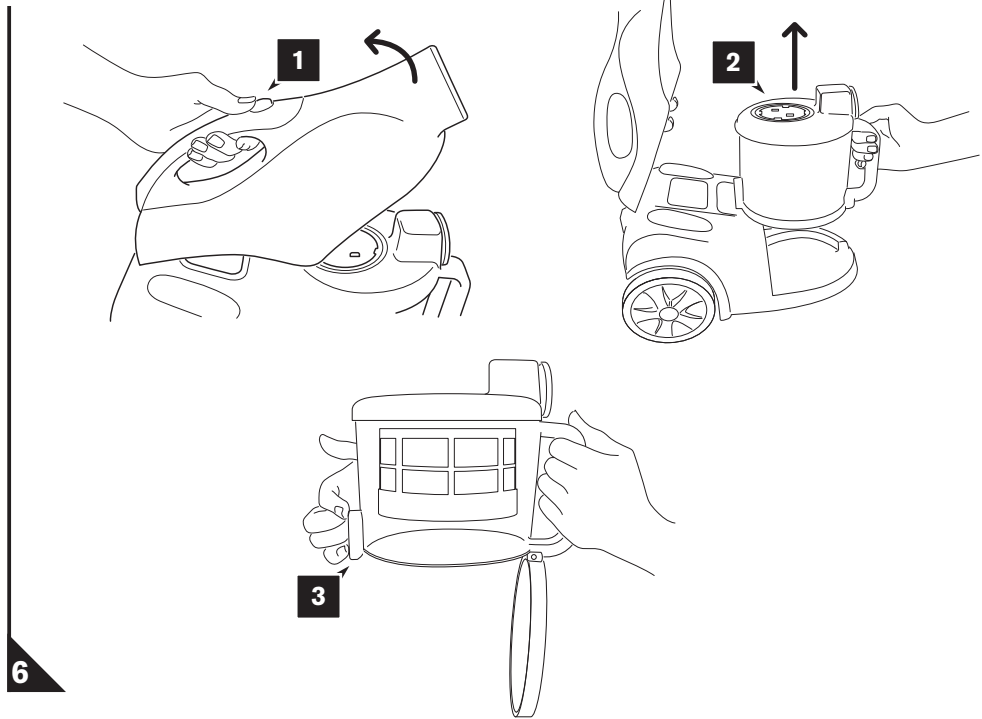
5

5 MAINTENANCE

⚠ CAUTION

Switch off the machine before emptying the dirt container. This will prevent dirt from damaging the machine.

5.1 EMPTYING THE DIRT CONTAINER



6

■ It is best to empty the dirt container after each vacuuming session.

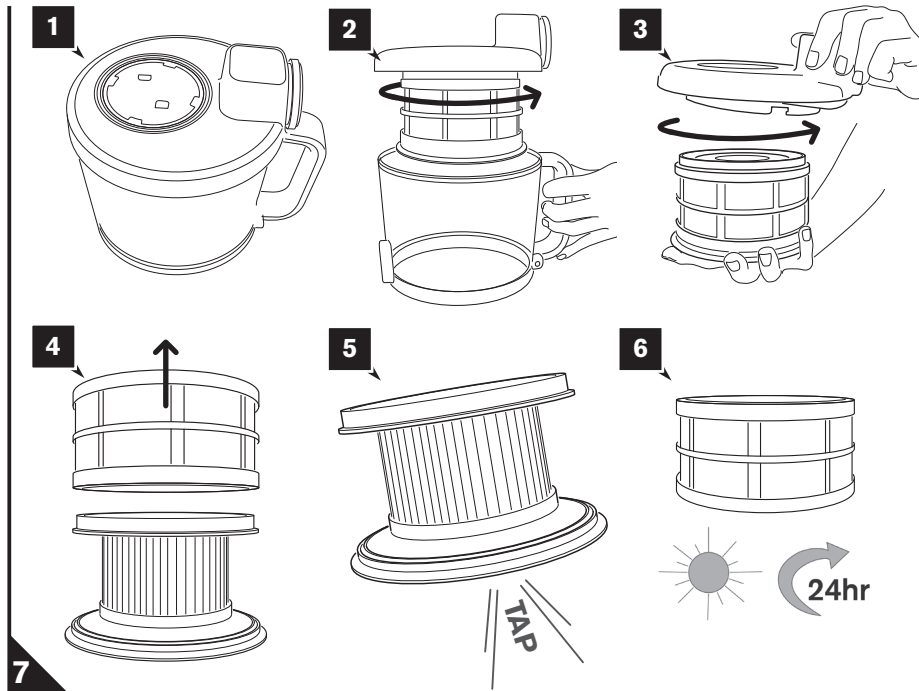
1. Press the lid release button and raise the lid (Fig 6.1).
2. Lift to remove the dirt container from the vacuum cleaner (Fig 6.2).

3. Hold dirt container over a bin. Press the release clip at the bottom of the container. The dirt release door will open allowing dirt/debris to fall out (Fig 6.3).

5.2 CLEANING THE DIRT CONTAINER AND PRE-MOTOR FILTER

⚠ CAUTION

The dirt container and the mesh casing are washable, but may not be cleaned in dishwashers or washing-machines. Also, do not use detergents or brushes with hard bristles to clean them.



- It is best to check the pre-motor filter each time you empty the dirt container, > Chapter 5.1, 'Emptying the dirt container'.
 - Clean the pre-motor filter at the latest when the blockage light lights up.
1. Remove any dirt/debris from the filter on top of the dirt container lid (Fig 7.1).
 2. Turn the dirt container lid anti-clockwise, lift to remove from the dirt container (Fig 7.2).
 3. Turn the filter and shroud anti-clockwise and remove from dirt container lid (Fig 7.3).
 4. Lift to separate the shroud and filter from the mesh casing (Fig 7.4).

5. Tap the filter and shroud against a bin to remove any dirt/debris (Fig 7.5).

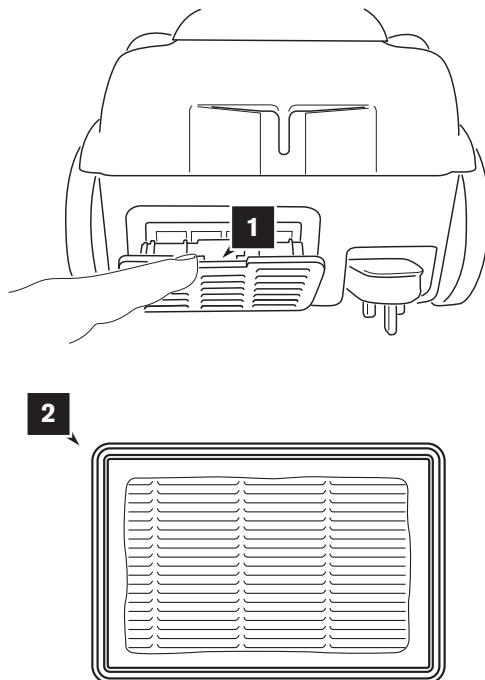
⚠ **IMPORTANT:** Refrain from cleaning the separator and filter with water. Otherwise, adhering dirt particles may clog the separator and shroud.

6. Rinse the mesh casing under running water (Max 40°C). Leave to dry for 24 hours or until fully dry before placing back in the machine (Fig 7.6).

⚠ **IMPORTANT:** Let the mesh casing dry for approx. 24 hours at room temperature after cleaning. Only put them back into the appliance when they are completely dry.

5 MAINTENANCE

5.3 CHECK THE POST MOTOR FILTER



1. Press the release clip on the post motor filter cover, pull to remove the cover then pull to remove the post motor filter (Fig 8.1).

2. The post motor filter is designed to offer long life with no maintenance. The filter should be checked periodically and when heavily discoloured it should be replaced. Please do not wash, scrub or brush the filter as this will damage the filter (Fig 8.2).



CAUTION


Only Dirt Devil recommended spares and accessories should be used with the vacuum cleaner, use of non-branded Dirt Devil spares and accessories will invalidate your guarantee.

5.4 SPARE PARTS

Spare parts can be reordered from: www.DirtDevil.co.uk or alternatively call **0330 026 2626**.

5 MAINTENANCE

5.5 TROUBLESHOOTING

 **IMPORTANT:** Risk of injury! Never use a faulty machine! Always switch off the machine and disconnect it from the mains before starting troubleshooting > chapter 4.3, "Switching off".

Problem	Solution
Why won't the vacuum cleaner pick up?	The dirt container is full. Empty the dirt container > Chapter 5.1, 'Emptying the dirt container'.
	The filters are dirty. Clean the filter > Chapter 5.2, 'Cleaning dirt container and pre-motor filter' or > Chapter 5.3, 'Check the post-motor filter'.
	Tool/accessory, extension tube or suction hose is blocked. Remove the obstruction. If necessary, use a long wooden stick (e.g. a broomstick) to do this.
	The air vent is open. Close the air vent (Fig. 4.6).
	The attached tool/accessory, is unsuitable. Change the tool/accessory, > Chapter 3.2, 'Selecting a tool/accessory'.
	The position of the 'carpet/hard floor' selector (Fig. 4.4/ Fig. 4.5) is inappropriate. Set the 'carpet/hard floor' selector to the correct position for the type of floor, > Chapter 4.2, 'How to Use'.
Why does my vacuum cleaner have no power?	The motor thermostat may have tripped. If this has happened, unplug the vacuum cleaner. Remove and empty the dirt container and check the hose for blockages. Clean the filters and allow the vacuum cleaner to cool for approximately 1 hour (if you have washed the filters you will need to wait 24 hours for the filters to fully dry before putting them back into the vacuum cleaner).
	The plug may not be fully pushed into the electrical socket.
	Check the fuse in the plug if this needs replacing, always replace with a British 13amp fuse.

NOTE:

If you were unable to solve the problem using the information in the table above, please contact our Customer Service (UK) **0330 026 2626**.

NOTES



**Call our Customer
Service Department at
0330 026 2626**

Monday-Friday 9:00am to 5:00pm.

www.DirtDevil.co.uk

Dirt Devil, 2 Colmore Square, 38 Colmore Circus, Queensway, Birmingham, B4 6BN.



EEC Statement of Compliance: Manufacturer/EEC importer: Vax Limited trading as Dirt Devil, hereby on our own responsibility, declare that the DDC06-E01/DDC06-P01 series is manufactured in compliance with the following Directives: **Safety:** 2006/95/EC Low Voltage Directive. **EMC:** 2004/108/EC Electromagnetic Compatibility Directive.



Waste electrical products should not be disposed of with household waste. Please recycle where facilities exist. Check with your Local Authority or retailer for recycling advice.