

SIZE:105 X148mm

# BUSH

## PRODUCT GUARANTEE

This product is guaranteed against manufacturing defects for a period of



This product is guaranteed for twelve months from the date of original purchase. Any defect that arises due to faulty materials or workmanship will either be replaced, refunded or repaired free of charge where possible during this period by the dealer from whom you purchased the unit.

The guarantee is subject to the following provisions:

- The guarantee does not cover accidental damage, misuse, cabinet parts, knobs or consumable items.
- The product must be correctly installed and operated in accordance with the instructions contained in this manual.
- It must be used solely for domestic purpose.
- The guarantee will be rendered invalid if the product is re-sold or has been damaged by inexpert repair.
- Specifications are subject to change without notice.
- The manufacturer disclaims any liability for the incidental or consequential damages.
- The guarantee is in addition to, and does not diminish your statutory or legal rights.

Guarantor: Argos Ltd  
489 - 499 Avebury Boulevard  
Central Milton Keynes  
MK9 2NW

# BUSH

## Instruction Manual

NE-6211



## Table of content

IMPORTANT SAFETY INSTRUCTIONS .....	2
FEATURES AND CONTROLS.....	4
SWITCHING YOUR RADIO ON FOR THE FIRST TIME .....	5
AC Operation .....	5
DC (battery) operation .....	5
Menus .....	5
SETTING THE CLOCK.....	7
Set the clock in STANDBY mode.....	7
Set the clock in working mode.....	7
BASIC OPERATION - GETTING STARTED.....	8
DAB Auto Scan.....	8
DAB Manual tune .....	8
Prune.....	9
DAB display modes .....	9
FM radio .....	9
Scan setting .....	9
Audio setting .....	10
FM display modes.....	10
STORING AND RECALLING STORED STATIONS .....	10
SETTING ALARMS, SNOOZE AND SLEEP.....	11
SETTING ALARMS.....	11
SNOOZE .....	12
SLEEP.....	12
USING HEADPHONES .....	13
RESET .....	13
BACKLIGHT .....	14
TECHNICAL SPECIFICATION.....	14

## SAFETY

- FOR HOUSEHOLD AND INDOOR USE ONLY
- PLACE THE APPLIANCE ON A FLAT, STABLE SURFACE WITH ADEQUATE VENTILATION AND AWAY FROM OTHER SOURCES OF HEAT. MINIMUM DISTANCES AROUND THE APPLIANCE FOR ADEQUATE VENTILATION IS 10CM. DO NOT COVER OR RESTRICT VENTILATION OPENINGS.
- CHILDREN SHOULD BE SUPERVISED TO ENSURE THEY DO NOT PLAY WITH THE APPLIANCE, AND THE APPLIANCE AND CABLE SHOULD BE KEPT COMPLETELY OUT OF REACH OF YOUNG CHILDREN.
- THIS APPLIANCE IS NOT DESIGNED FOR USE BY CHILDREN, OR PERSONS WITH REDUCED PHYSICAL, SENSORY OR MENTAL CAPABILITIES, AND SHOULD NOT BE USED BY SUCH PERSONS UNLESS THEY CAN DO SO SAFELY. WHERE NECESSARY, SUCH PERSONS (OR ANYONE WITH LACK OF EXPERIENCE OR KNOWLEDGE) SHOULD FIRST BE GIVEN SUPERVISION OR INSTRUCTION CONCERNING USE OF THE APPLIANCE BY A PERSON RESPONSIBLE FOR THEIR SAFETY.
- FULLY UNWIND THE CABLE BEFORE PLUGGING IN AND ENSURE THE CABLE IS POSITIONED AWAY FROM AREAS WHERE IT IS LIKELY TO GET DAMAGED OR CAUSE A TRIP HAZARD.
- THE OUTPUT CORD OF THIS MAINS ADAPTOR CANNOT BE REPLACED. IN THE EVENT OF DAMAGE TO THE CABLE, JACK PLUG OR ADAPTOR, THE ENTIRE ADAPTOR UNIT SHOULD BE REPLACED.
- CONNECTIONS MUST ONLY BE MADE VIA THE MAINS ADAPTOR SUPPLIED, NEVER CONNECT THE APPLIANCE DIRECTLY TO THE 240V MAINS SUPPLY.
- NEVER USE THE ADAPTOR SUPPLIED WITH ANY OTHER APPLIANCE.
- THE MAINS ADAPTOR WILL BECOME WARM IN USE; DO NOT COVER OR PLACE ON OR NEAR SURFACES THAT COULD BE AFFECTED BY HEAT SUCH AS TABLE TOPS AND CARPETS.
- REMOVE MAINS ADAPTOR FROM SUPPLY IF APPLIANCE IS UNUSED FOR A LONG PERIOD OF TIME, AND DURING THUNDERSTORMS.
- DO NOT PULL ON THE CABLE TO DISCONNECT FROM MAINS SUPPLY.

- KEEP APPLIANCE, CABLE, MAINS ADAPTOR PLUG DRY AND AWAY FROM AREAS WHERE IT IS LIKELY TO GET SPLASHED. AVOID USING IN HOT, HUMID ENVIRONMENTS.
- DO NOT PLACE ITEMS WITH NAKED FLAMES OR CONTAINERS WITH LIQUIDS ON THIS APPLIANCE.
- SWITCH OFF AND UNPLUG WHEN NOT IN USE AND BEFORE CLEANING OR SERVICING THE APPLIANCE. SERVICING OF THIS APPLIANCE MUST ONLY BE CARRIED OUT BY A QUALIFIED ELECTRICIAN.
- ALWAYS ENSURE THE MAINS ADAPTOR PLUG IS READILY UNPLUGGABLE – DO NOT USE WITH 'LOCKABLE' SOCKETS OR PERMANENTLY WIRE TO MAINS.



The lightning flash with arrow-head symbol, within an equilateral triangle, is intended to alert the user to the presence of un-insulated "dangerous voltage" within the product's enclosure that may be of sufficient magnitude to constitute a risk of electric shock.

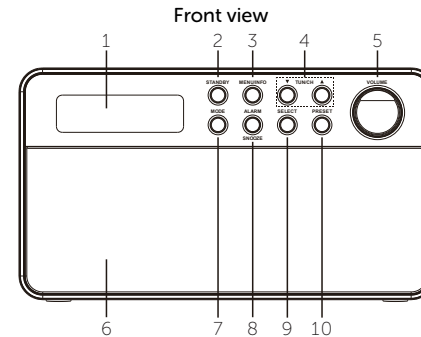
**CAUTION**  
RISK OF ELECTRIC SHOCK  
DO NOT OPEN

WARNING: TO REDUCE THE RISK OF ELECTRIC SHOCK, DO NOT REMOVE COVER (OR BACK). NO USER SERVICEABLE PARTS INSIDE, REFER SERVICING TO QUALIFIED SERVICE PERSONNEL.

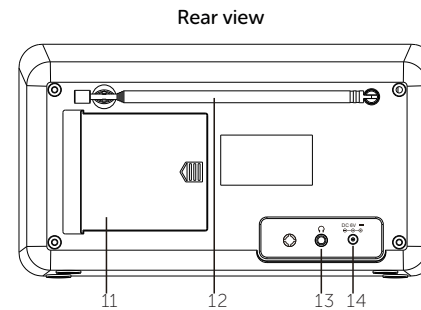


The exclamation point within an equilateral triangle is intended to alert the user to presence of important operating and maintenance (servicing) instructions in the literature accompanying the appliance.

## PARTS



- |                     |                        |
|---------------------|------------------------|
| 1. Lcd display      | 6. Speaker             |
| 2. Standby button   | 7. Mode button         |
| 3. Menu/info button | 8. Alarm/Snooze button |
| 4. Tun/Ch button    | 9. Select button       |
| 5. Volume control   | 10. Preset button      |



- |                               |                         |
|-------------------------------|-------------------------|
| 11. Battery compartment cover | 14. DC in jack          |
| 12. Rod antenna               | 15. Adaptor (not shown) |
| 13. Earphone jack             |                         |

## SWITCHING YOUR RADIO ON FOR THE FIRST TIME

### AC Operation

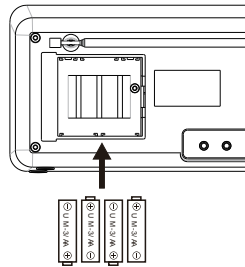
1. Insert the DC power jack of AC/DC adaptor to the DC input socket located at the rear of the radio.
2. Plug the AC/DC Adaptor to the AC mains outlet.
3. Press the **STANDBY** button to turn the radio on.

**Remarks:** If the AC Adaptor voltage is over than 6V, it will possible make the line damage.

### DC (battery) operation

1. Ensure the AC/DC adaptor is disconnected from the radio and AC mains.
2. Installed the batteries (4x1.5V UM3/AA battery) into the battery compartment.
3. Press the **STANDBY** button to turn the radio on.

**Remarks:** To obtain the best performance in DC operation, the use of alkaline batteries is highly recommended.



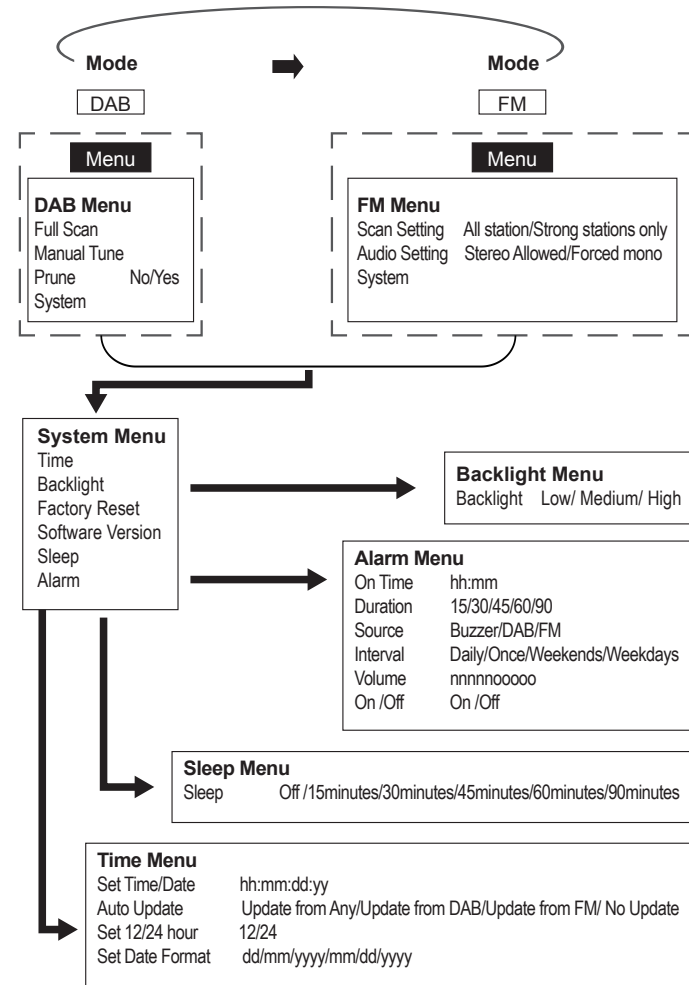
### Menus:

The following controls are used to move about the menu tree to choose and select the required settings:

Press the **SELECT** button selects the currently display option, if the option has a further sub-menu the first option of the submenu is displayed. Is the option is a setting value, the displayed value is selected and either the next setting is highlighted or, if there are no further settings. The display returns to the parent menu for that setting.

#### Note:

1. Current or default values are indicated by an asterisk (\*) on the right-hand side of the top line of the character display.
2. Each of the above steps need to be completed within 5 seconds of pressing the button, otherwise the screen will clear.



## SETTING THE CLOCK

The clock in this radio is equipped to receive a DAB radio frequency time signal. After the unit has been turned on, it will automatically tune into a DAB radio station and update the clock. It may be necessary to wait for 1-2 minutes to allow the unit to receive the time signal. If the area will only receive an FM signal it will be necessary to manually set the clock.

### Set the clock in STANDBY mode

1. Insert the adaptor cord into the power socket at the rear of the radio. Plug the adaptor into the mains supply socket.
2. The display backlight will illuminate for a few seconds, a welcome message (F1) will appear in the display briefly and the clock will be displayed "00:00:00 Time is not set" will be displayed
3. In standby mode, press the **ALARM** button, "00:00:00 Time is not set" in the display briefly the hour digits will flash in the display, press the **▼ TUN/CH ▲** button to set the correct hour, then press the **SELECT** button to confirm.
4. The minute digits will now flash, press the **▼ TUN/CH ▲** button to set the correct minute.
5. Later you will enter to "set date 1-1-2014" press the **▼ TUN/CH ▲** button to set date and press **SELECT** button to confirm again.

F.1



### Set the clock in working mode

1. Connect the radio to AC mains (via AC/DC adaptor), then press **STANDBY** to turn the radio on.
2. Press **MENU/INFO** button, press the **▼ TUN/CH ▲** button to until the display show "System", then press the **SELECT** button confirm.
3. Continue press the **▼ TUN/CH ▲** button to until the display shows "Time" and then press the **SELECT** button confirm will show "<Set Time /Date>" press the **SELECT** button again confirm.
6. The hour digits will flash in the display, press the **▼ TUN/CH ▲** button to set the correct hour, then press the **SELECT** button to confirm.
7. The minute digits will now flash, press the **▼ TUN/CH ▲** button to set the correct minute.
8. Later you will enter to "set date 1-1-2014" press the **▼ TUN/CH ▲** button to set date and press **SELECT** button to confirm again.

## BASIC OPERATION - GETTING STARTED

Press the **STANDBY** button to turn the unit on, it will automatically enter into the DAB mode and perform auto scan function, During the scan the display show "Scanning..." together with a slide bar that indicates the progress of the scan and the amount of stations that have been found so far.(F.1) (F.2)

F.2



Once the scan has finished, the radio will select the first alphanumerically found station. You can now press the **▼ TUN/CH ▲** button to explore the found stations followed by pressing the **SELECT** button to select listening to the stations.

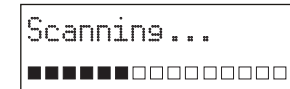
**Note:** If there is no stations found after auto scan, the radio will then enter into the Tune Select Menu, you can now press the **▼ TUN/CH ▲** button to select "Manual tune" or "Full scan" for stations, and press **SELECT** button to finally confirm.

### DAB Auto Scan

The auto scan will search for the entire DAB Band III channels, after the scan has finished, the first alphanumerically foundstations will be automatically selected.

1. To activate auto scan, press **MENU/INFO** button, press the **▼ TUN/CH ▲** button to enter into the Menu to select "Full scan", finally press the **SELECT** button to confirm, the display will show "Scanning..." and a pressing slide bar.(F.3)
2. All the stations that have been found will be stored automatically, to explore the stations that have been found, press the **▼ TUN/CH ▲** button and when you find a station that you would like to listen to, press the **SELECT** button.

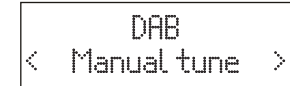
F.3



### DAB Manual tune

1. TO select manual tune, press **MENU/INFO** button, press the **▼ TUN/CH ▲** button to enter into the Menu to select "Manual tune".(F.4), finally press the **SELECT** button to confirm.

F.4



- Press the ▼ TUN/CH ▲ button to move through the DAB channels, the display will show "5A to 13F" and their associated frequencies. (F.5)
- When your desired frequency appears in the display, press the SELECT button to listen, the name of the station group (ensemble/multiplex) will be displayed.

F.5

```
Manual tune
< 5A 174.928MHz >
```

### Prune

You may remove all unavailable station from on the list.

- During DAB mode, press MENU/INFO button and then press the ▼ TUN/CH ▲ button to select "Prune" finally press the SELECT button to confirm.
- Press the ▼ TUN/CH ▲ button to select <Yes> to confirm delete. Or select <No> to cancel. Press the SELECT button to confirm the setting.

### DAB display modes

Every time you press the MENU/INFO button, the display will cycle through the following display modes: Signal strength, Programme Type, Ensemble Name, Channel number/frequency, Signal error, Bit Rate, power status (Mains/Battery), Time and Date.

### FM radio

- To select FM, press the MODE button, the display will show FM and the frequency.
- To activate auto search, press SELECT button or rotate and hold the SEARCH control anticlockwise or clockwise until the radio starts to scan the frequency band, the display will show "Scanning ..." (F.6) and it will stop automatically once a station has been found.
- To search manually, press the ▼ TUN/CH ▲ button in the desired direction to increment the frequency by 0.05MHz. If reception is still poor adjust the position of the antenna or try moving the radio to another location.

F.6

```
92.75MHz
Scanning...
```

### Scan setting

During FM mode, press and hold the MENU/INFO button and then press the ▼ TUN/CH ▲ button to select "Scan setting" finally press the SELECT button to confirm. press the ▼ TUN/CH ▲ button to select "All stations/strong stations". Press the SELECT button to confirm the setting.

### Audio setting

During FM mode, press and hold the MENU/INFO button and then press the ▼ TUN/CH ▲ button to select "Audio setting" finally press the SELECT button to confirm. press the ▼ TUN/CH ▲ button to select "Stereo allowed/Forced mono". Press the SELECT button to confirm the setting.

**Note:** The radio will automatically switch between stereo and mono mode, but you can override this and switch this function manually which is helpful for poor signal reception.

### FM display modes

Every time you press the MENU/INFO button, the display will cycle through the following display modes: RDS Radio Text, Programme Type, Frequency, Mono/Stereo, Power status (Mains/Battery), Time and Date.

## STORING AND RECALLING STORED STATIONS

This function allows up to 10 stations to be programmed into the memory and stored in both DAB and FM mode.

- To store a preset, first tune to your desired station, then press and hold the PRESET button for longer than 2 seconds, the display will show the flashing "Preset Store number" (F.7).
- press the ▼ TUN/CH ▲ button to select your desired station preset number.
- Press the SELECT to confirm your selection, the station now broadcasting has now been stored in the selected location (F.8).

F.7

```
Preset Store
<1: Empty >
```

F.8

```
Preset 1
Stored
```

- To listen to the preset stations, press the PRESET button once and then press the ▼ TUN/CH ▲ button to select the desired preset location. And press the SELECT button to confirm. (F.9) The station name or frequency and preset location number will be displayed in the lower half of the display. If the preset has not been allocated "Preset Recall #: (Empty)"; "Preset empty" will be shown in the display.

F.9

```
Preset Recall
<6: BBC Radio6 >
```

**Notes:** If the unit is disconnected from the mains supply for any length of time and the batteries are not installed, the programmed stations will be lost.

## SETTING ALARMS, SNOOZE AND SLEEP

### SETTING ALARMS

- Alarm will only function when the product is on (Mains or battery power) or in Standby mode (Mains power only). Attempting to enter Standby mode when powered only by battery will turn the product off.
- An active alarm is indicated by its icon in the top line of the display.
- Alarms can be switched on or off in standby mode (F.10). However, the alarm parameters can only be set when the product is on.
 

F.10  
Alarm 1 Setup
- To set or change alarm 1, press **ALARM/SNOOZE** button once, then press the **SELECT** button.
- To set or change alarm 2, press the **ALARM/SNOOZE** button twice, then press the **SELECT** button.
- To exist alarm setting mode, press the **ALARM/SNOOZE** button again.
- The alarm setup prompts you for the following parameters. Select a value for each parameter in pressing the **▼ TUN/CH ▲** button and press the **SELECT** button to confirm and move on to the next parameter.
- Parameters
  - > On Time –Hours and minutes
  - > Duration-15/30/45/60/90 minutes  
If the alarm is not cancelled product returns to standby after this time period
  - > Source- Buzzer/DAB/FM  
If DAB or FM is chosen as the audio source you will also be prompted to select the last played station or one of the preset station (if set)
  - > Daily/Once/Weekends/Weekdays  
Choose the days on which the alarm is active  
**Note:** if you choose "Once", you are prompted to enter the require date.
  - > Volume – Rotate the Volume control increase or decrease the volume you desired  
This is the volume the alarm will build up to. (Initially the alarm sounds at a low volume and gradually gets louder to the set volume)
  - > Alarm – Off/ On
- In all listening modes active alarms are indicated by displaying the relevant Alarm 1 and or Alarm 2 icons.
- At the set time, the alarm will sound, quietly at first, then gradually building up to the set volume. When an alarmsounds. The bell in the display flashes.

To turn alarms on or off in standby mode

- Press the **ALARM/SNOOZE** button, the display shows the current alarm status. To switch the alarms on or off.
- Press the **ALARM/SNOOZE** button repeatedly to cycle through four states as shown below. (F.11)
- To choose the display Alarm status, press the **SELECT** button to confirm.

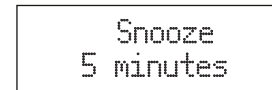
F.11



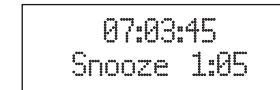
### SNOOZE

- To temporarily silence a sounding alarm, press the **ALARM/SNOOZE** button once, you can change the snooze period by repeatedly pressing the **ALARM/SNOOZE** button, Snooze periods are 5,10,15 and 30 minutes. The radio returns to standby for the set time period with Snooze countdown displayed. When the countdown reaches 0(zero) the alarm triggered again. (F.12) (F.13)
- Press the **STANDBY** button or the **ALARM/SNOOZE** button to fully cancel a sounding alarm and switch the radio to standby.

F.12



F.13

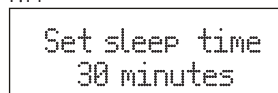


### SLEEP

To set the sleep timer while the radio is playing.


- With the unit switched on, press and hold the **MENU** button and press the **▼ TUN/CH ▲** button until the display shows 'System' and press the **SELECT** button and continue press the **▼ TUN/CH▲** button until the display shows "sleep". You can choose the sleep delay time from: Sleep Off /10/20/30/60/70/80/90 minutes. (F.14) press the **▼TUN/CH▲** button to cycle through the options or press the Sleep button repeatedly) then press the **SELECT** button to choose the displayed option.

F.14



- Once you select a sleep delay period, the display will show S1(2/3/6/7/8/9)playing screening(what you set the sleepdelay). After the sleep delay period the radio switches to standby mode.
- To cancel the sleep timer, please return the MENU setting to choose 'Sleep off' appears in the display.

### USING HEADPHONES (NOT INCLUDED)

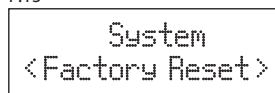
A stereo headphone jack has been provided so that the set can be used without disturbing others. Plug in the headphones at the point marked '  ' and adjust the listening volume to your chosen level. Excessive sound pressure from earphones and headphones can cause hearing loss. The speakers will not operate when earphones are fitted.

### RESET (AC OPERATION ONLY)

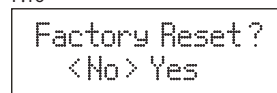
- If moving the radio to another location in the country the pre-tuned and stored DAB stations may no longer be available and it will be necessary to reset the radio back to the factory settings.
- With the unit switched on, Press and hold the **MENU/INFO** button and press the **▼ TUN/CH ▲** button until the display shows 'System' and press the **SELECT** button and continue press the **▼ TUN/CH ▲** button until the display shows "Factory Reset <No> Yes' and press the **▼ TUN/CH ▲** button until "<Yes>" and press the **SELECT** button. (F.15), (F.16)
- The radio will display "Restarting..." and will then go into standby mode.

**Note:** All stored programmed stations will be lost during reset.

F.15



F.16




### BACKLIGHT

The product display has a backlight with three brightness setting - Low/Medium/High.

With the unit switched on, press and hold the **MENU** button and press the **▼ TUN/CH ▲** button until the display shows 'System' and press the **SELECT** button and continue press the **▼ TUN/CH ▲** button until the display shows "Backlight" and **▼ TUN/CH ▲** cycle through "Low/ Medium/ High" and press the **SELECT** button to confirm the setting.

### TECHNICAL SPECIFICATION

Rated voltage (adaptor)	AC 100 – 240V~ 50/60Hz, 0.3A
Adaptor output	DC 6V  1.5A
Rated voltage (radio)	DC 6V (1.5V x 4 AA)
Power consumption	9 W
Audio output	2*2W RMS
Radio	DAB 174-240MHz FM 87.5-108MHz
Operating conditions Temperature:	5°C to 35°C
	Humidity 5% to 90%
Unit dimension:	210 (L) x 65 (H) x 115 (D) mm
Weight:	0.6 kg

\*\*\*SPECIFICATION SUBJECT TO CHANGE WITHOUT FURTHER NOTICE.\*\*\*