

Boston Basic Modular 2 Half Door

Assembly Instructions - Please keep for future reference

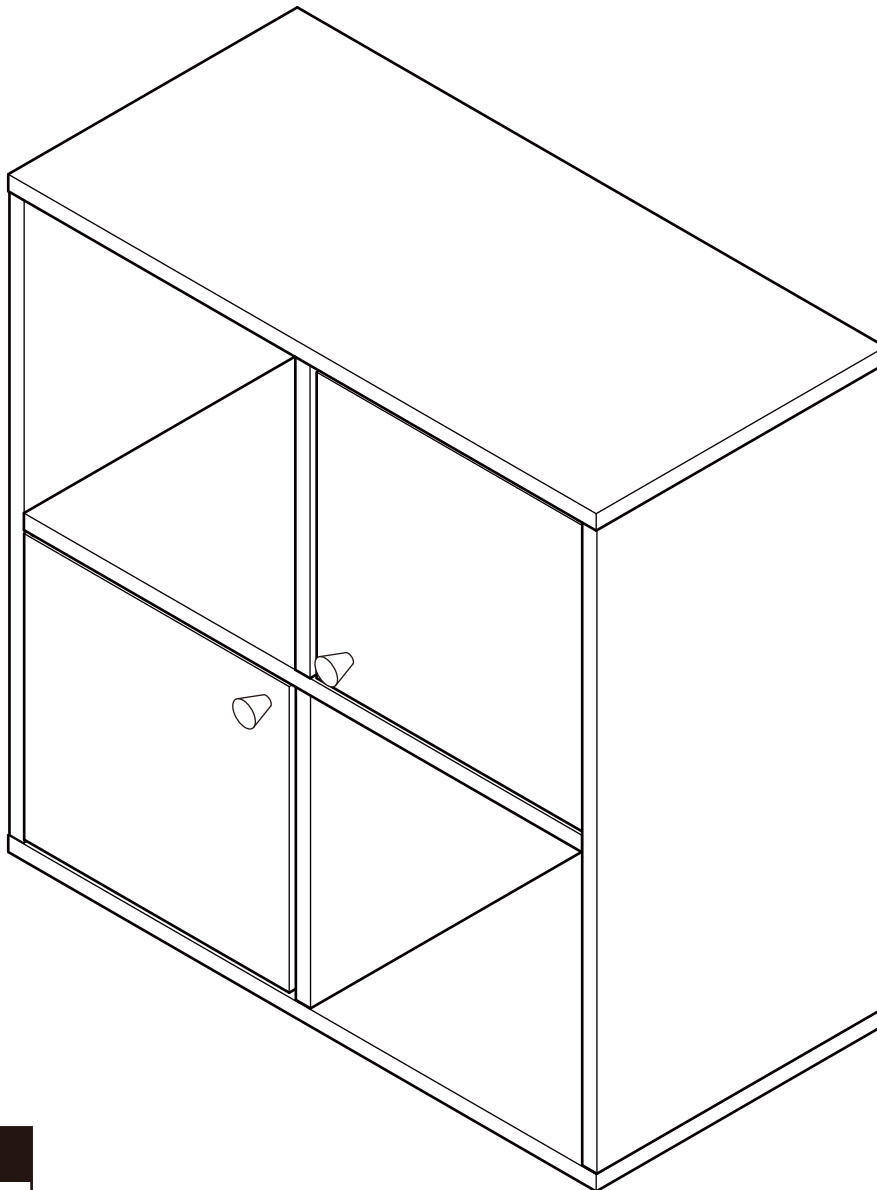
609/0069

609/2610

610/8937

413/6815

414/1941



Dimensions

Width - 60cm

Depth - 30cm

Height - 60cm

Important - Please read these instructions fully before starting assembly

If you need help or have damaged or missing parts, call the **Customer Helpline:**
Argos = 0345 6400800



Safety and Care Advice

Important – Please read these instructions fully before starting assembly

- Check you have all the components and tools listed on the following pages.
- Remove all fittings from the plastic bags and separate them into their groups.
- Keep children and animals away from the work area, small parts could choke if swallowed.
- Make sure you have enough space to layout the parts before starting.

- During assembly do not stand or put weight on the product, this could cause damage.
- Assemble the item as close to its final position (in the same room) as possible.
- Assemble on a soft level surface to avoid damaging the unit or your floor.
- Parts of the assembly will be easier with 2 people.



- To reduce the likelihood of damaging your product please ensure that your power drill is set on a low torque setting.

Care and maintenance

- Only clean using a damp cloth and mild detergent, do not use bleach or abrasive cleaners.
- From time to time check that there are no loose screws on this unit.
- This product should not be discarded with household waste. Take to your local authority waste disposal centre.

Handy Hints

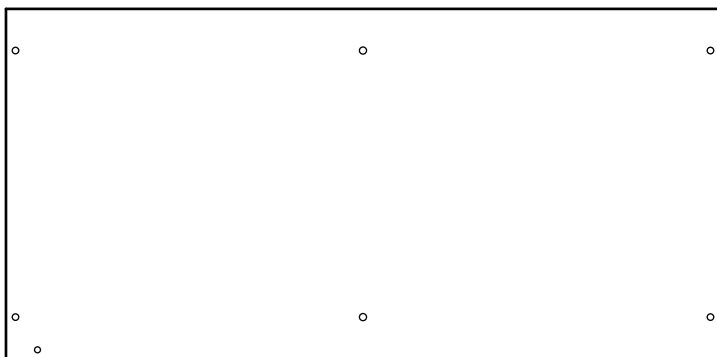
- Assemble all parts and bolts loosely during assembly, only once the product is complete should you fully tighten the bolts
- Regularly check and ensure that all bolts and fittings are tightend properly.

Note: if required the next page can be cut out and used as reference throughout the assembly. Keep this page with these instructions for future reference.

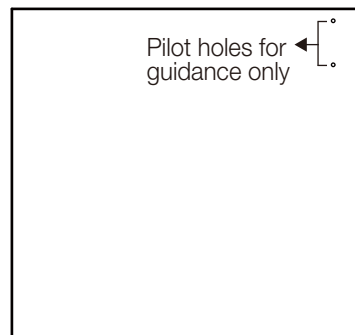
Components - Panels

If you have damaged or missing components, call the
Customer Helpline: Argos = 0345 6400800

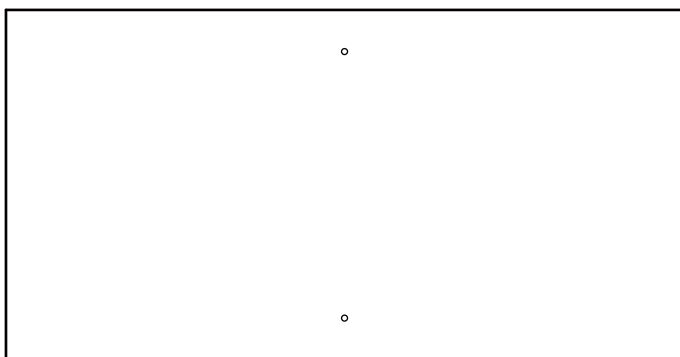
Please check you have all the panels listed below



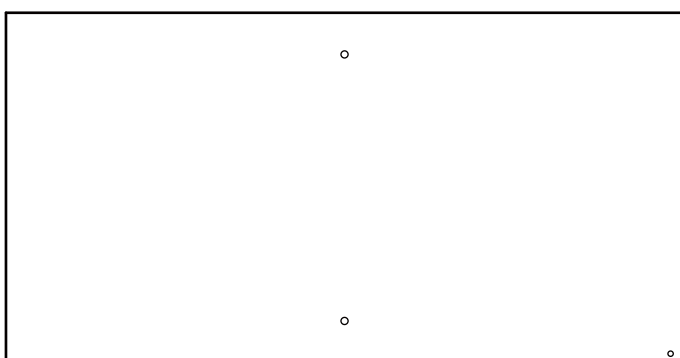
1 Top/Bottom panel x 2 (60 x 29.5cm)



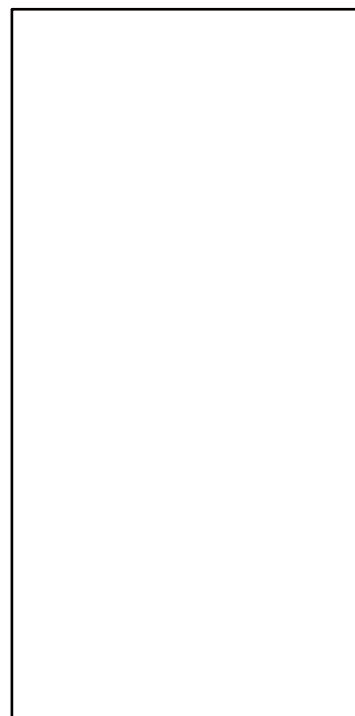
4 Vertical support x 2
(29.4 x 27.65cm)



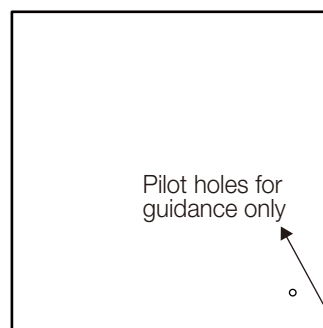
2 Side panel x 2 (56.9 x 29.4cm)



3 Shelf (56.9 x 29.4cm)



5 Back panel x 2
(29.5 x 59.6cm)







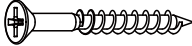
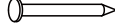


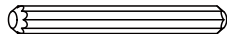
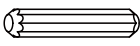

6 Door panel x 2
(27.1 x 27.1cm)



Components - Fittings

Please check you have all the fittings listed below

Note: The quantities below are the correct amount to complete the assembly. in some cases more fittings may be supplied than are required.

A  25mm Screw x 2	B  Handle x 2	C  Metal plate x 2
D  Door hinge x 4	E  40mm Screw x 8	F  Nail x 20
G  12mm Screw x 6	H  Door stopper x 2	I  50mm Dowel x 2
J  30mm Dowel x 8	K  Screw cover x 4	

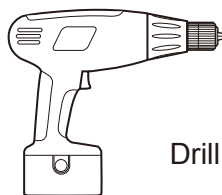
Tools required



Phillips screwdriver
(medium & large)



7mm Suitable drill bit
(for use with wall plug)



Drill



Small
hammer

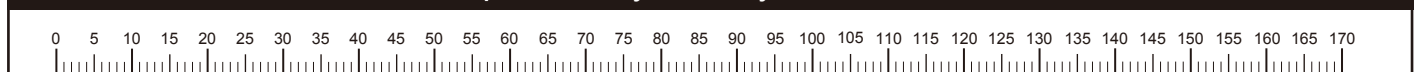


Ruler/tape
measure



Eye protection
(when using a
hammer or glue)

Ruler - Use this ruler to help correctly identify the screws



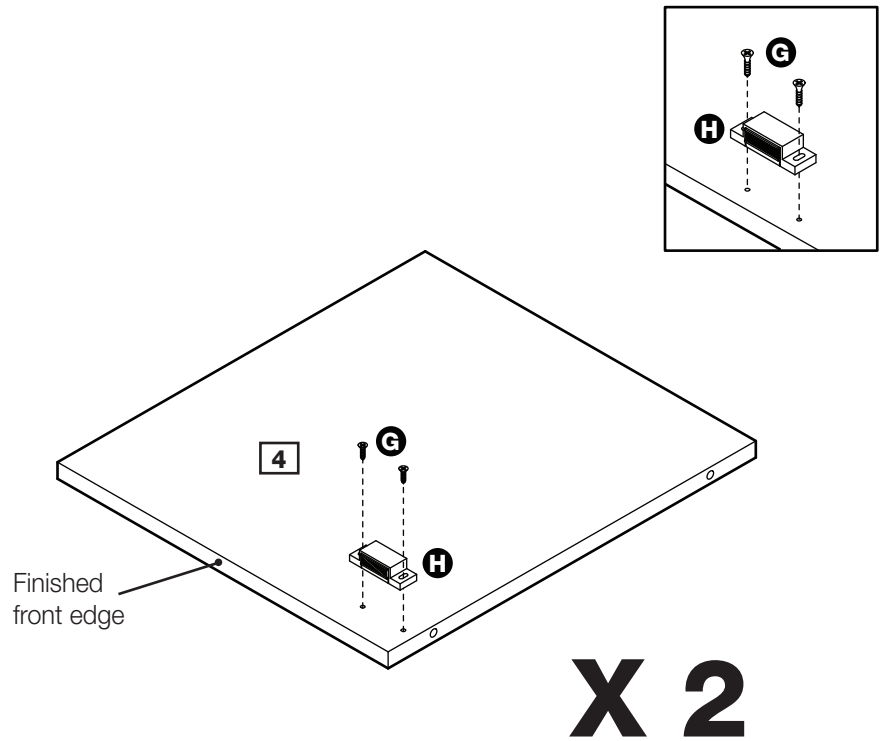
The screws length is measured from the head to the point (30mm screw shown).

Assembly Instructions

Step 1

Attaching door stoppers

Use Screws **G** to fix the Door stoppers **H** onto the Vertical supports **4**.

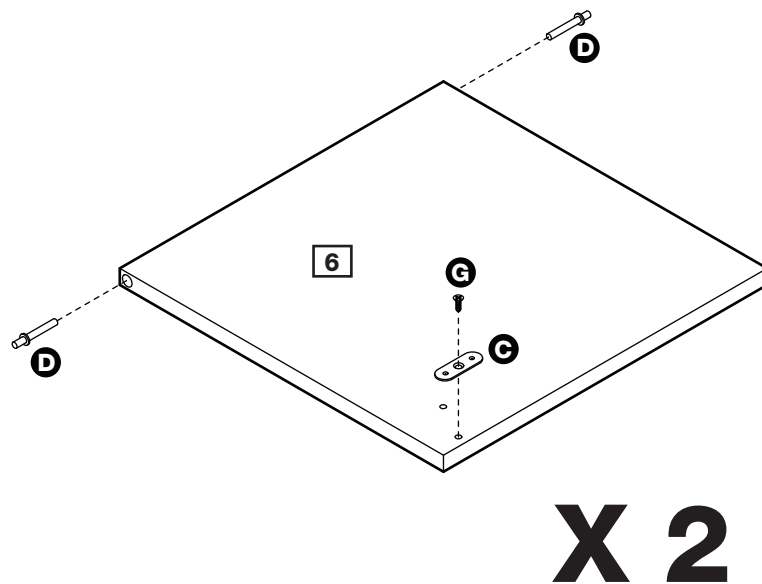


Step 2

Attaching metal plates & door hinges

Use Screws **G** to fix the Metal plates **C** onto the Door panels **6**.

Insert the Door hinges **D** into the Door panels **6**.



Assembly Instructions

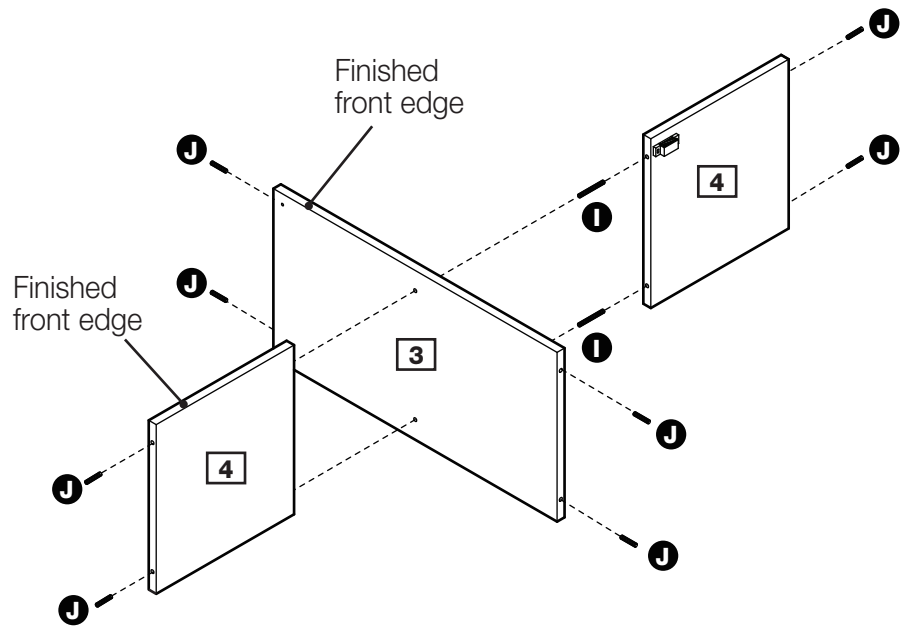
Step 3

Attaching the side panels

a: Insert Dowels **J** into the Shelf **3** and Vertical supports **4**.

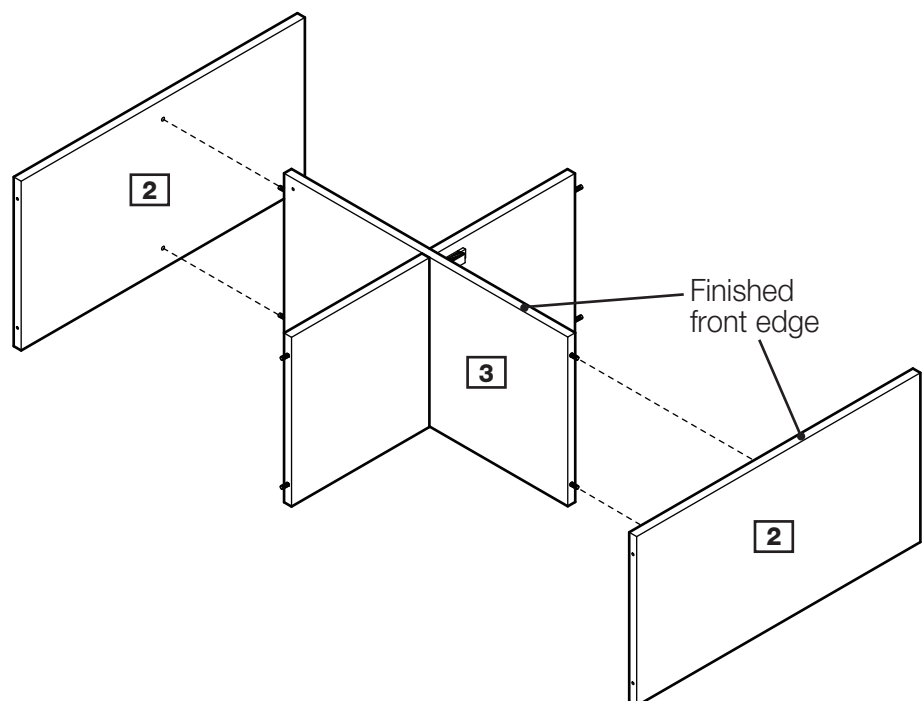
Use Dowels **I** to fix the Vertical supports **4** onto the Shelf **3**.

a:



b: Fix the Side panels **2** onto the Shelf **3**.

b:



Assembly Instructions

Step 4

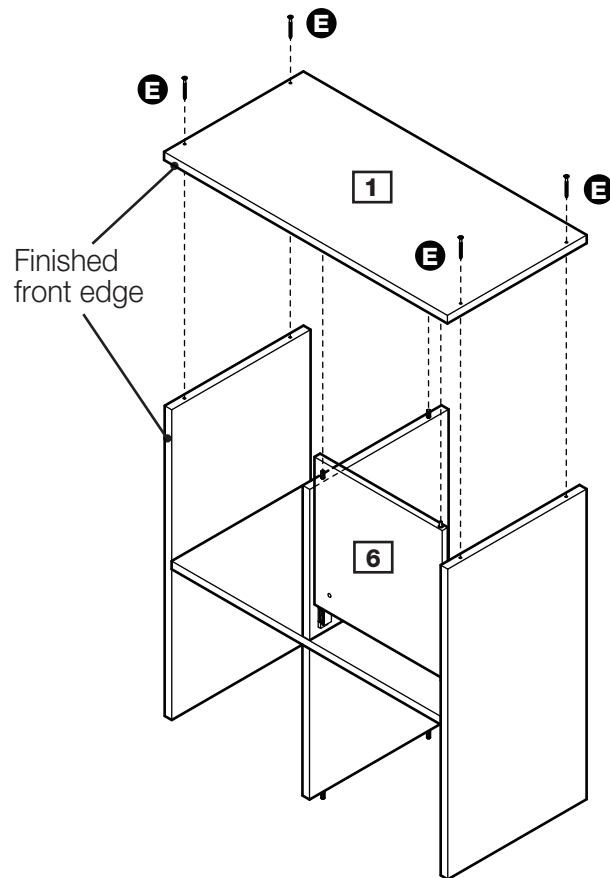
Attaching the door panels

a: Carefully locate the Door panel **6** onto the unit, aligning the Door hinges with the corresponding holes.

Use Screws **E** to fix the Bottom panel **1** onto the unit.

Note: Ensure the Door hinges are aligned with the corresponding holes.

a:

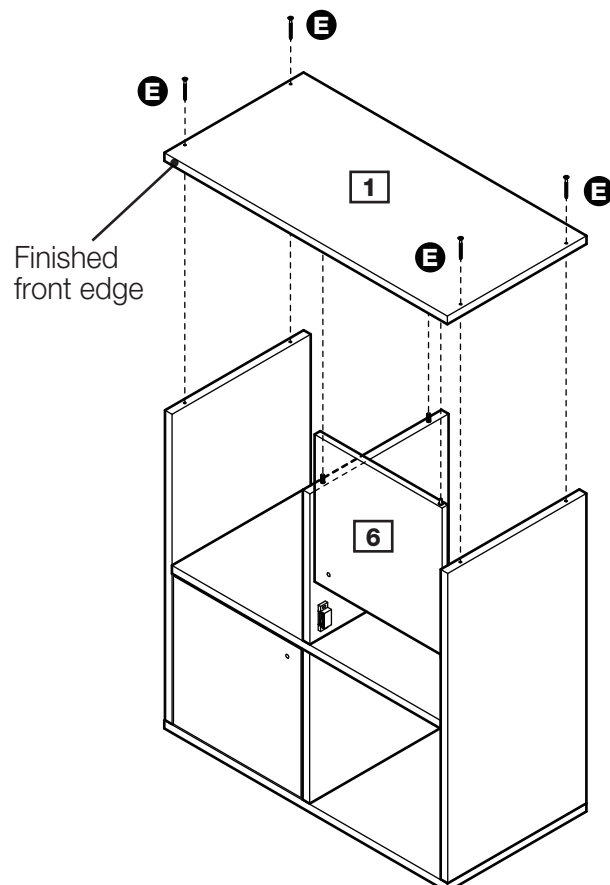


b:

b: Carefully locate the Door panel **6** onto the unit, aligning the Door hinges with the corresponding holes.

Use Screws **E** to fix the Top panel **1** onto the unit.

Note: Ensure the Door hinges are aligned with the corresponding holes.



Assembly Instructions

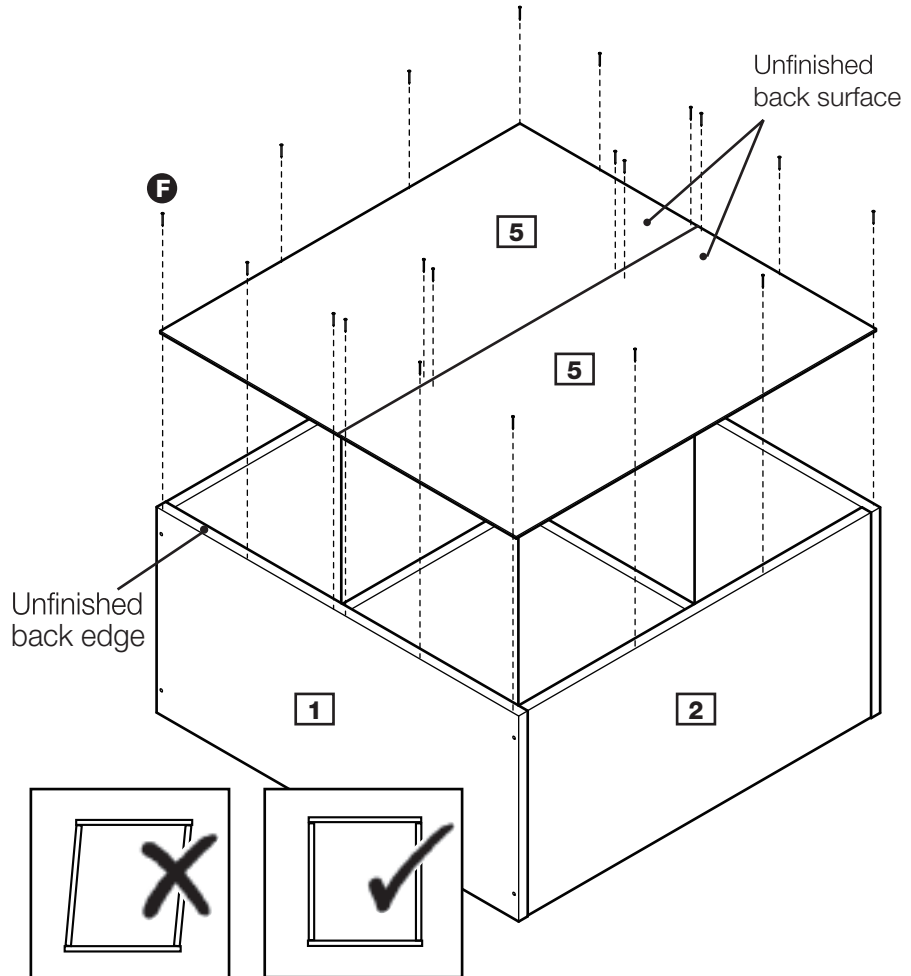
Step 5

Fixing back panel

Attach Back panels **5** onto the unit using Nails **F**.



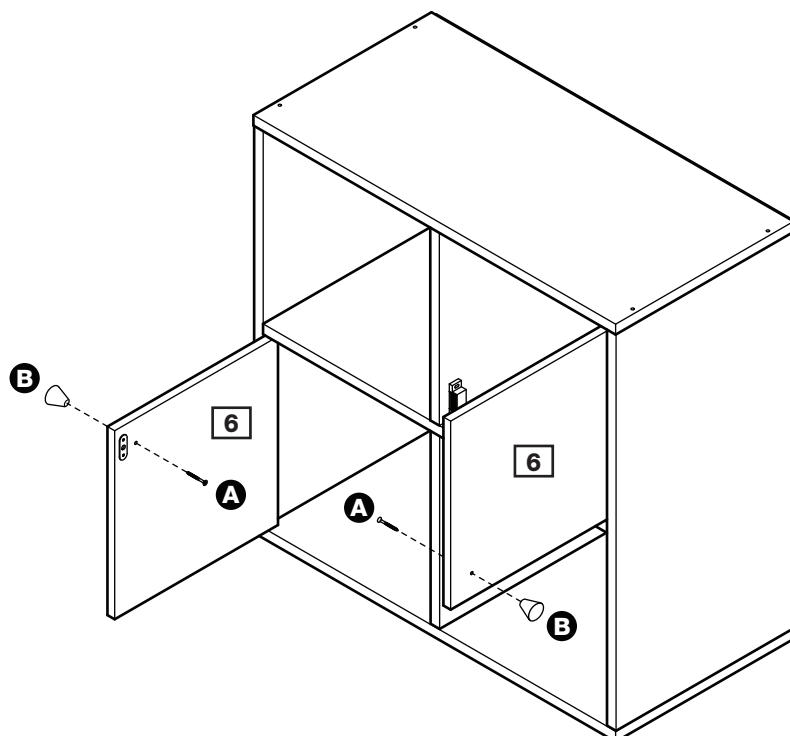
Important:
The unit **MUST** be 'square' when back is attached.



Step 6

Attaching the handles

Use Screws **A** to fix the Handles **B** onto the Door panels **6**.

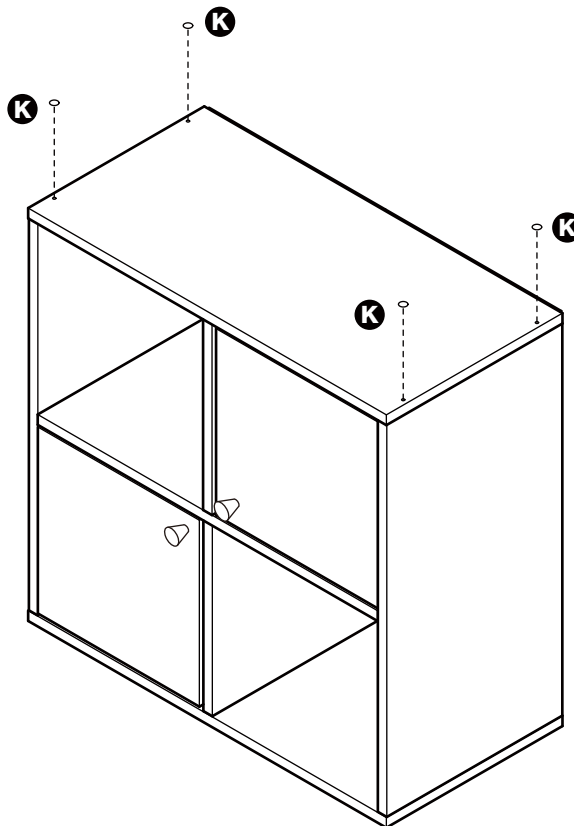


Assembly Instructions

Step 7

Attaching the screw covers

Use Screw covers **K** to cover the screw heads.

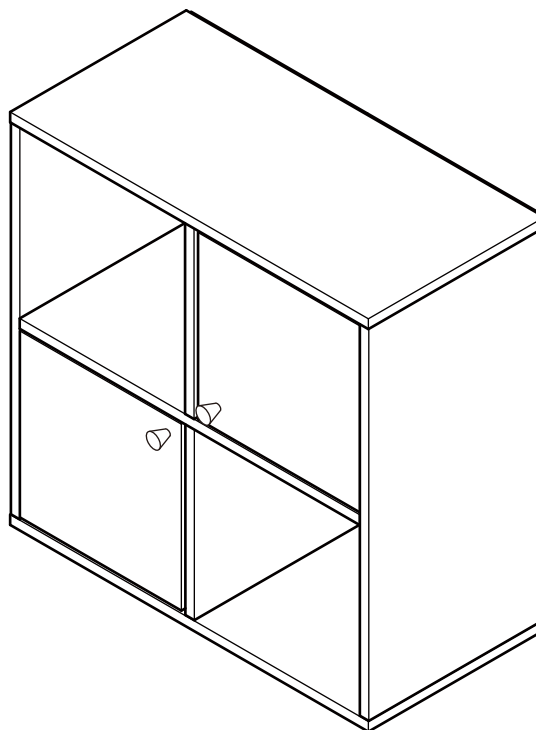


Step 8

Finishing the unit

Note: It would be useful to ask someone to help you at the stage.

With help, place the unit in the intended position.



Assembly is complete.

If you need help or have damaged or missing parts, call the **Customer Helpline:**
Argos = 0345 6400800