

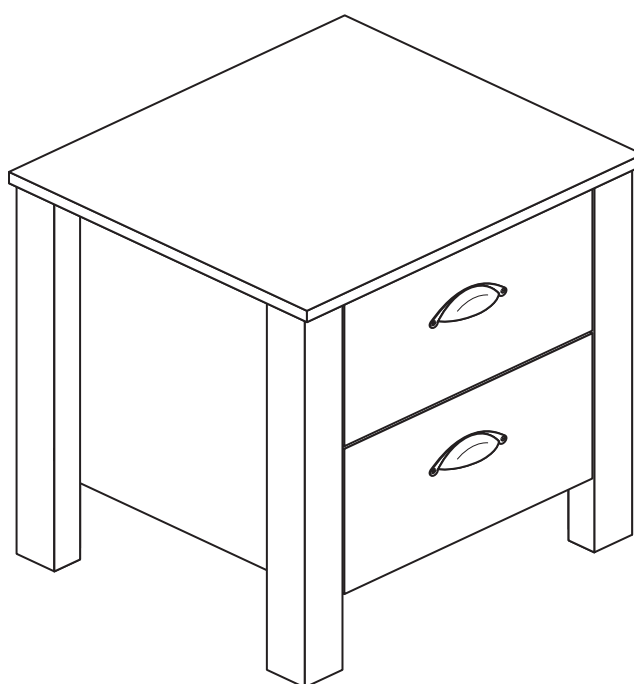
Marlow - 2 Drawer Bedside

Assembly Instructions - Please keep for future reference

417/7654

404/2576

413/4219



Dimensions

Width - 44.5cm

Depth - 39.5cm

Height - 50.5cm



**MADE IN
BRITAIN**

Important - Please read these instructions fully before starting assembly

If you need help or have damaged or missing parts, call the **Customer Helpline: 03456 400800**



Safety and Care Advice

Important - Please read these instructions fully before starting assembly

- **Warning:** This unit weighs approximately 13kgs. Please lift with care.

- Check you have all the components and tools listed on pages 2 and 3.

- Remove all fittings from the plastic bags and separate them into their groups.

- Keep children and animals away from the work area, small parts could choke if swallowed.

- Parts of the assembly will be easier with 2 people.

- Make sure you have enough space to layout the parts before starting.

- Do not stand or put weight on the product, this could cause damage.

- Assemble the item as close to its final position (in the same room) as possible.

- Assemble on a soft level surface to avoid damaging the unit or your floor (use opened out unit carton).



- We do not recommend the use of power drill/drivers **for inserting screws**, as this could damage the unit. Only use hand screwdrivers.

- **Safety note:** If there is any chance of this unit being pulled over by children etc. it is recommended that the unit is secured to a wall using suitable fixings (not supplied).

- Dispose of all packaging carefully and responsibly.

Care and maintenance

- Only clean using a damp cloth and mild detergent, do not use bleach or abrasive cleaners.

- From time to time check that there are no loose screws on this unit.

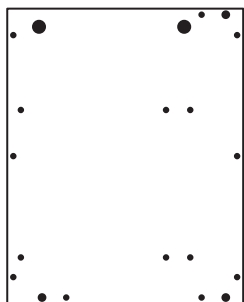
- This product should not be discarded with household waste. Take to your local authority waste disposal centre.

Note: If required the next page can be cut out and used as reference throughout the assembly. Keep this page with these instructions for future reference.

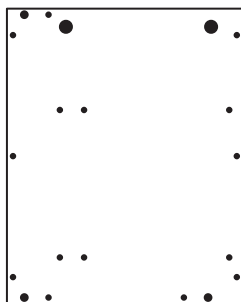
Components - Panels

If you have damaged or missing components, call the **Customer Helpline: 03456 400800** quoting the reference numbers below

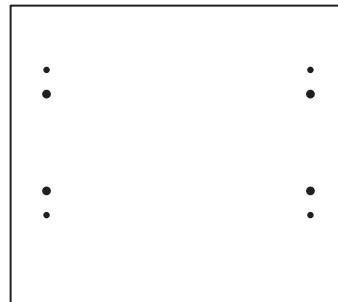
Please check you have all the panels listed below



1 Left Side (DF3595)
(39 x 31.2cm)



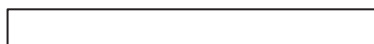
2 Right Side (DF3596)
(39 x 31.2cm)



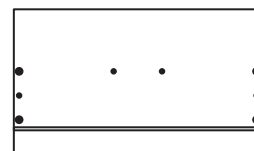
3 Top (DF3594)
(44.4 x 39.4cm)



4 Rail (DF3597)
(33.4 x 11.9cm) x 3



5 Leg (DF3599)
(49 x 5cm) x 4



6 Drawer Front (DF3598)
(32.8 x 19.2cm) x 2



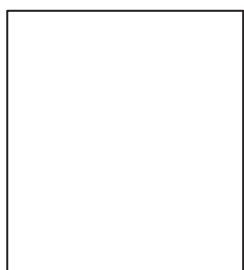
7 Left Drawer Side (W350-124LH)
(35 x 12.4cm) x 2



8 Right Drawer Side (W350-124RH)
(35 x 12.4cm) x 2



9 Drawer Back (W301-124)
(30.1 x 12.4cm) x 2



10 Drawer Base (T312-347)
(31.2 x 34.7cm) x 2



11 Back (X385-260)
(38.5 x 36cm)

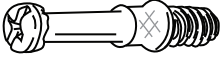



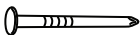




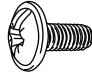

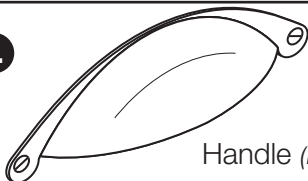



Components - Fittings

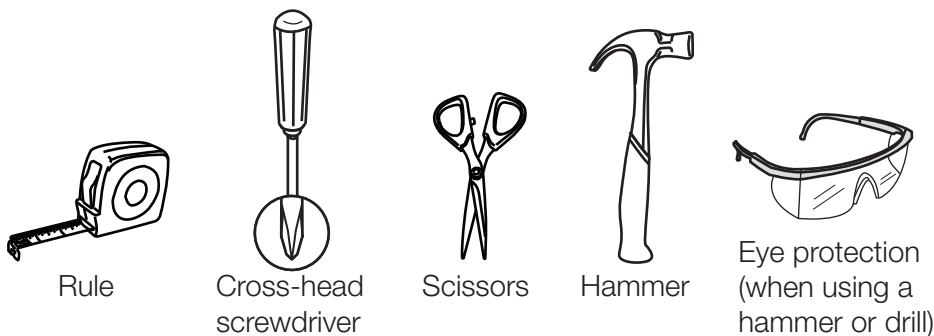
If you have damaged or missing components, call the **Customer Helpline: 03456 400800** quoting the reference numbers below

Please check you have all the fittings listed below

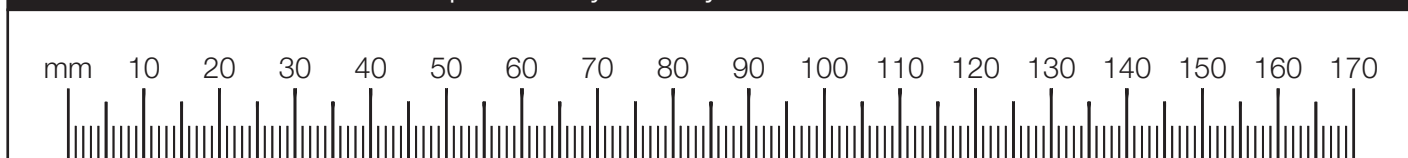
Note: The quantities below are the correct amount to complete the assembly. In some cases more fittings may be supplied than are required.

<p>A </p> <p>Metal dowel (F901) x 14</p>	<p>B </p> <p>Large locking nut (F900) x 10</p>	<p>C </p> <p>Small locking nut (F3) x 4</p>
<p>D </p> <p>Wooden dowel (F22) x 10</p>	<p>E </p> <p>Nail (F51) x 10</p>	<p>F </p> <p>Knock-in Peg (F171GY) x 8</p>
<p>G </p> <p>38mm Screw (F81) x 12</p>	<p>H </p> <p>19mm Screw (F461) x 4</p>	<p>I </p> <p>9mm Screw (F73) x 8</p>
<p>J </p> <p>9mm Screw (F74) x 4</p>	<p>K </p> <p>Wedgex (F639) x 4</p>	<p>L </p> <p>Handle (F449) x 2</p>
<p>M </p> <p>Drawer runner (F1004) x 4</p>		

Tools required



Ruler - Use this ruler to help correctly identify the screws



Assembly Instructions

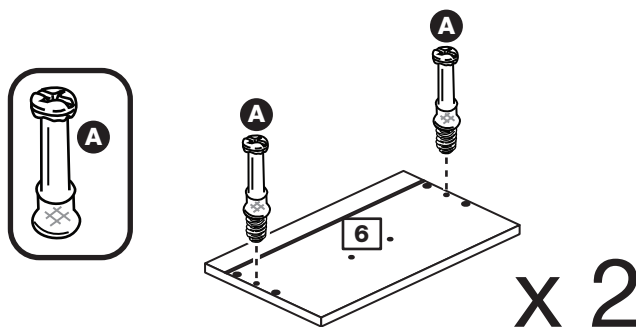
If you have damaged or missing components, call the
Customer Helpline: 03456 400800 quoting the reference
numbers below

Step 1

Prepare the 2 drawer fronts

Screw 2 metal dowels **A** into each of the drawer fronts **6**.

Note: Tighten the metal dowels up fully against the panels.

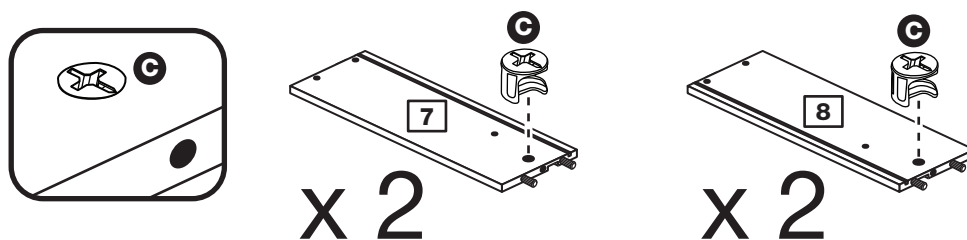


Step 2

Prepare the drawer sides

Insert a small locking nut **C** into the hole shown on the left drawer side **7** and the right drawer side **8**.

Note: The arrow on the locking nut **must** point towards the hole in the edge of the panel.



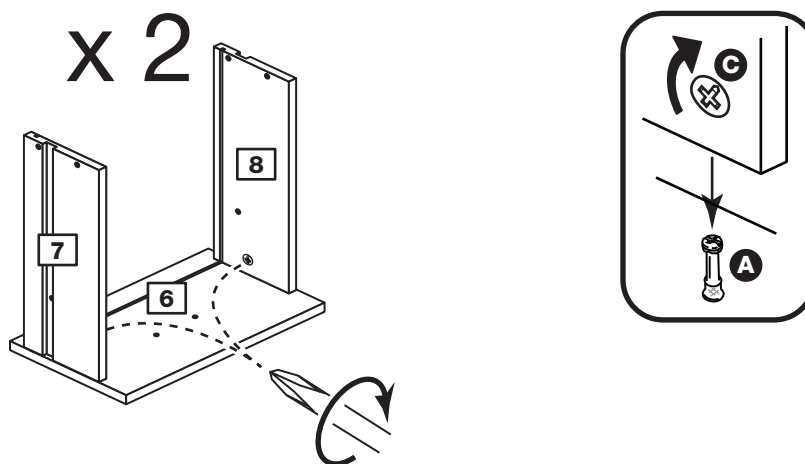
Step 3

Attach the drawer sides to the drawer fronts

Push the left drawer sides **7** and right drawer sides **8** onto the back of the drawer fronts **6**.

Turn the small locking nuts **C** on the left drawer side **7** and right drawer side **8**.

Note: Turn the locking nuts **C** clockwise to secure panels - more than 1/2 a turn.

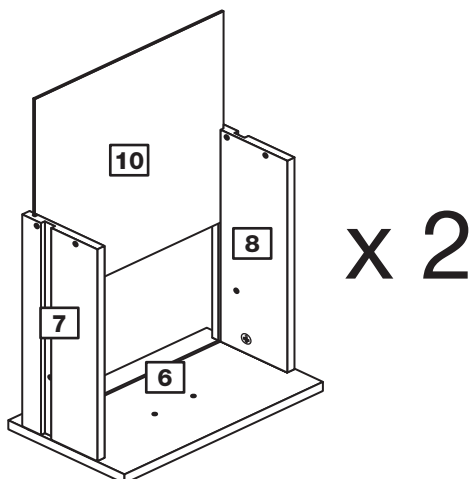


Assembly Instructions

Step 4

Fit the drawer base

Slide the drawer base **10** down the grooves in the drawer sides **7** and **8** and down into the groove in the drawer front **6**.

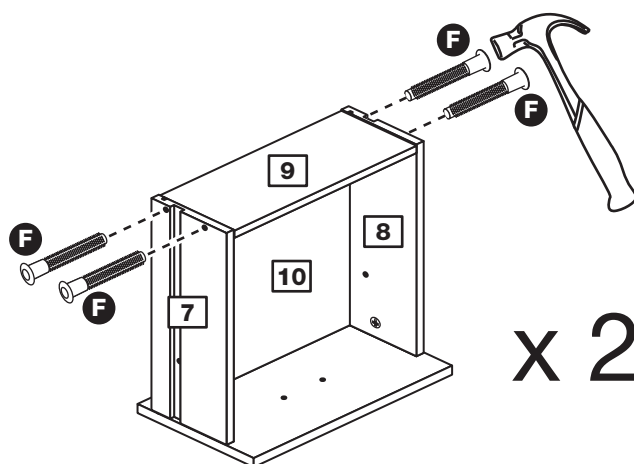


Step 5

Fit the drawer back

Fit the drawer back **9** between the drawer sides **7** and **8**. Make sure that the drawer base **10** fits into the groove in the drawer back **9**.

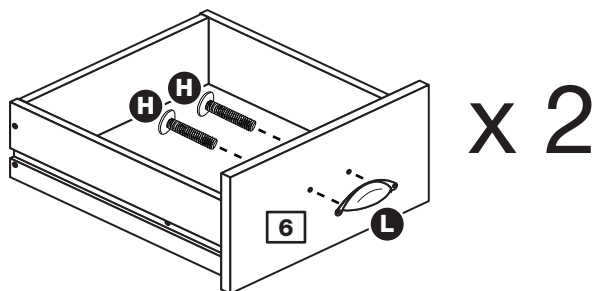
Hold the drawer back **9** in position and tap the knock-in pegs **F** through the holes in the drawer sides **7** and **8**.



Step 6

Attach the handles

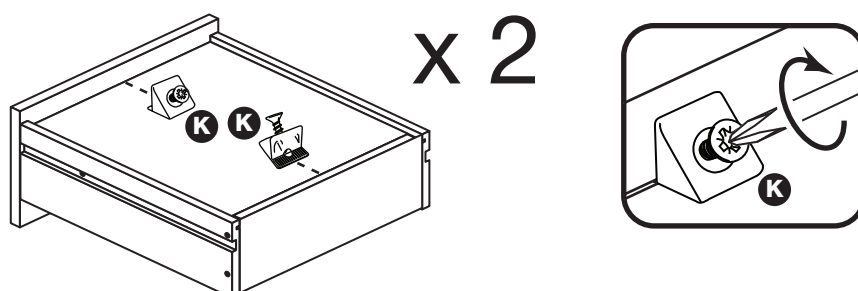
Attach a handle **L** to each of the drawer fronts **6** using screws **H**.



Step 7

Fit the wedgfixes

Turn the drawer assemblies over and slide 2 wedgfixes **K** into the front and back grooves, as shown, and tighten up the screws.



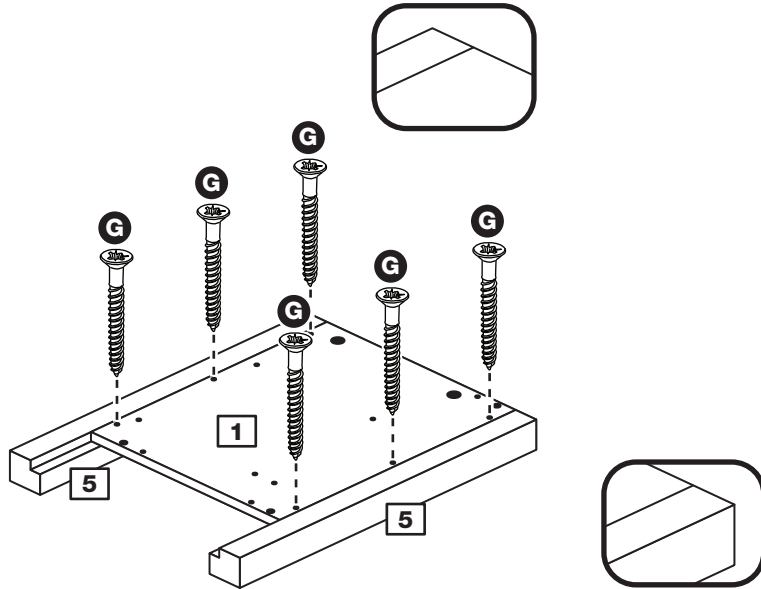
Assembly Instructions

Step 8

Fit 2 legs to the left side

Screw 2 legs **5** to the left side **1** using 6 screws **G**.

Note: The top of the legs must be flush with the top of the left side.

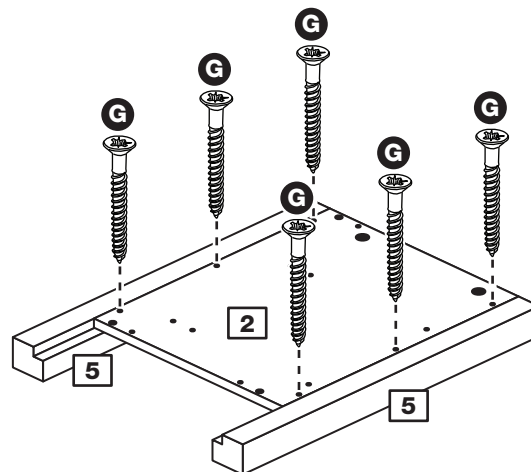


Step 9

Fit 2 legs to the right side

Screw 2 legs **5** to the right side **2** using screws **G**.

Note: The top of the legs must be flush with the top of the right side.



Assembly Instructions

Step 10

Prepare the left side

a: Place 2 runners **M** on the left side **1** as shown. Slide back the top of runner and use the 2nd hole from the front to fit the 1st screw **I**.

b: Slide the runner **M** back the other way and fit the 2nd screw **I** into the corresponding hole in the left side **1**.

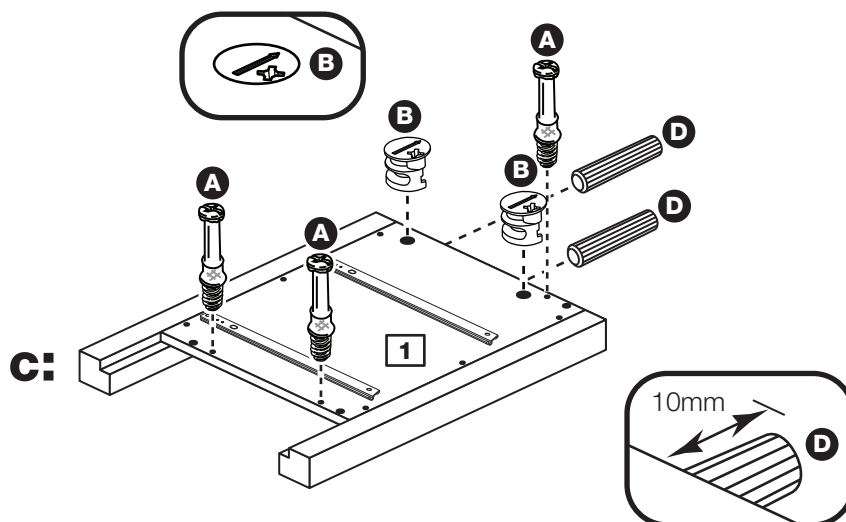
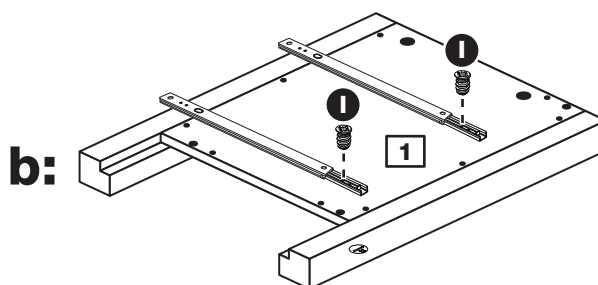
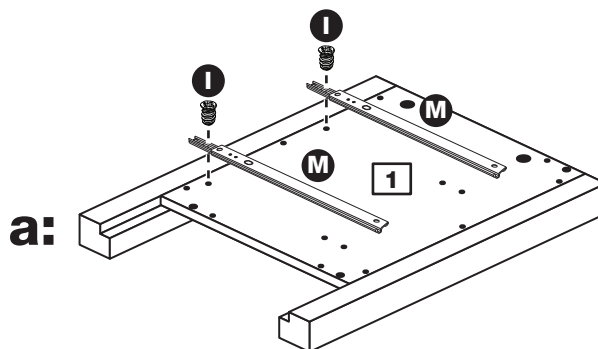
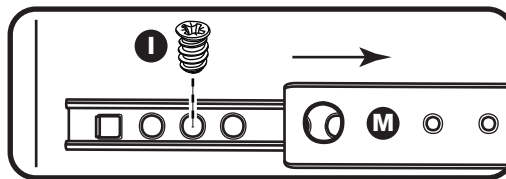
c: Screw 3 metal dowels **A** into the left side **1**.

Insert 2 large locking nuts **B** into the left side **1**.

Note: The arrow on the locking nuts **must** point towards the hole in the edge of the panel.

Tap 2 wooden dowels **D** into the left side **1**.

Note: Wooden dowels **must not** stick out from the edge by more than 10mm or they may damage other panels.



Assembly Instructions

Step 11

Prepare the right side

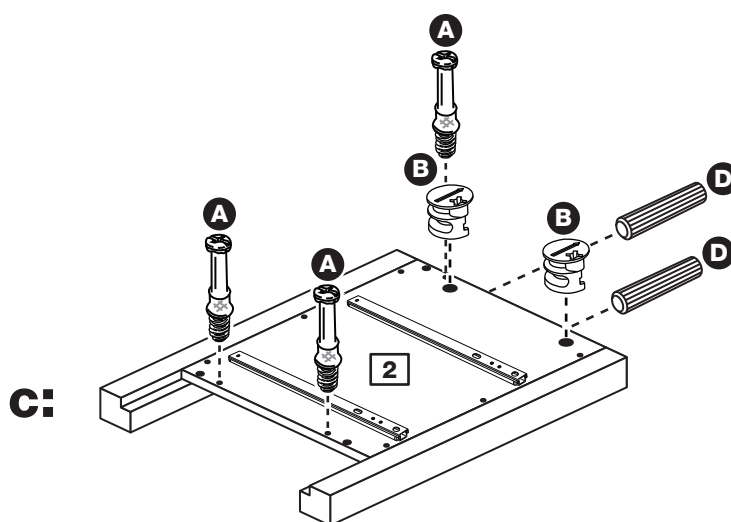
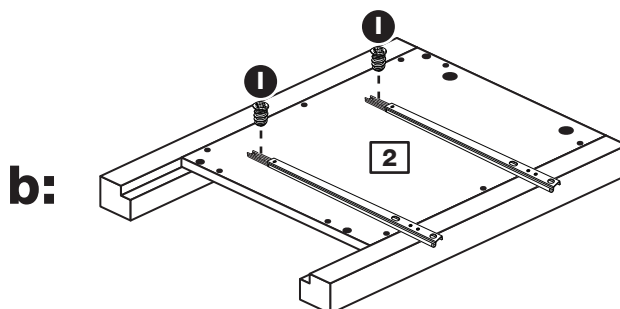
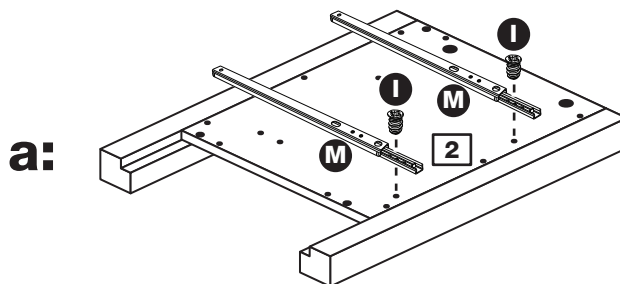
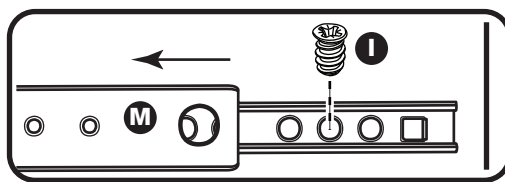
a: Place 2 runners **M** on the right side **2** as shown. Slide back the top of runner and use the 2nd hole from the front to fit the 1st screw **I**.

b: Slide the runner **M** back the other way and fit the 2nd screw **I** into the corresponding hole in the right side **2**.

c: Screw 3 metal dowels **A** into the right side **2**.

Insert 2 large locking nuts **B** into the right side **2**.

Tap 2 wooden dowels **D** into the right side **2**.



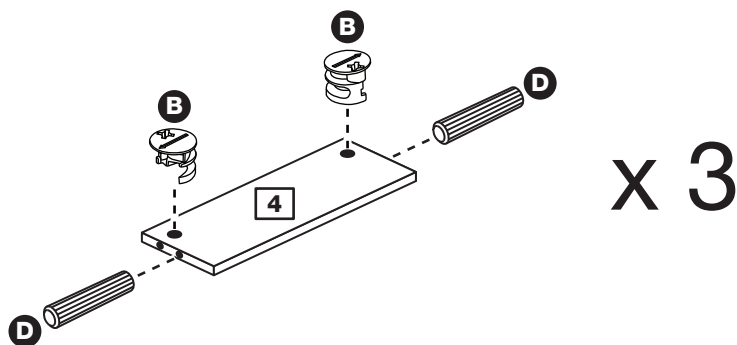
Assembly Instructions

Step 12

Prepare the 3 rails

Insert 2 large locking nuts **B** into each of the rails **4**.

Tap 2 wooden dowels **D** into each of the rails **4**.



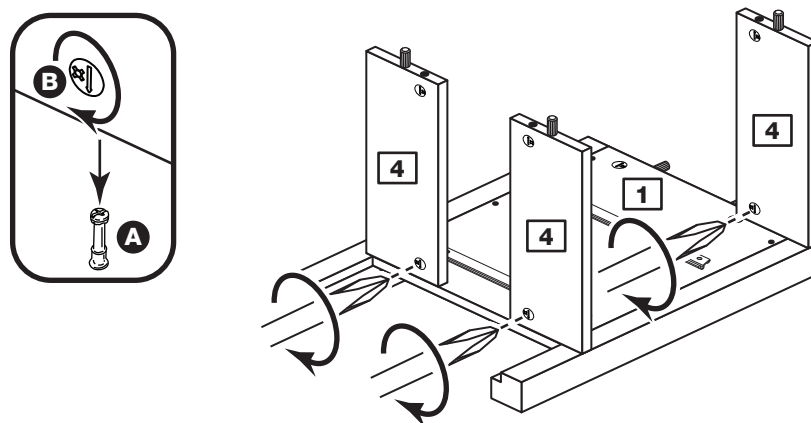
Step 13

Fit the rails

Push the 3 rails **4** onto the left side **1**.

Use a screwdriver to tighten the large locking nut **B** fitted to each of the 3 rails **4**.

Note: Turn the large locking nuts **B** as far as they will go - more than 1/2 a turn.



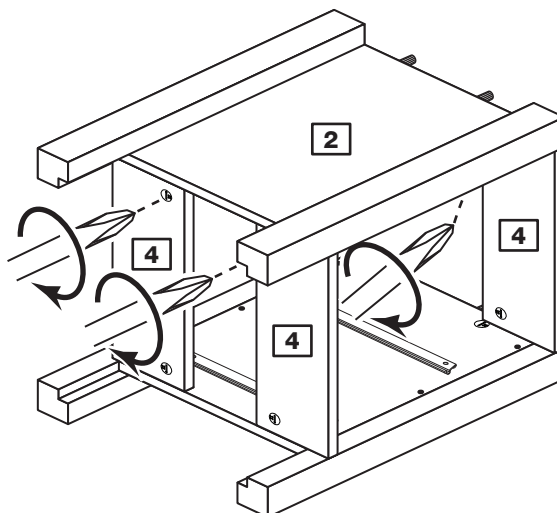
Step 14

Fit the right side

Push the right side **2** onto the 3 rails **4**.

Use a screwdriver to tighten the large locking nut **B** fitted to each of the 3 rails **4**.

Stand the unit up for the next step.

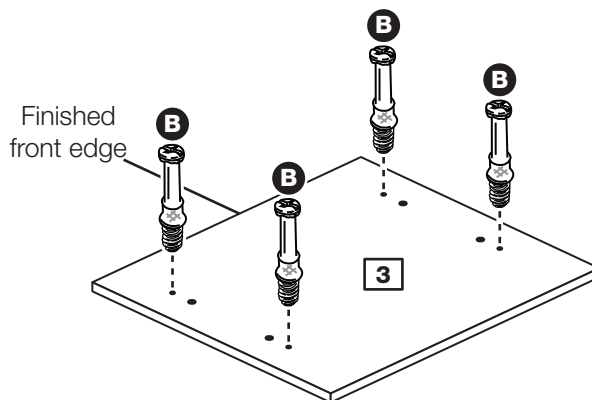


Assembly Instructions

Step 15

Prepare the top

Screw 4 metal dowels **B** into the top **3**.



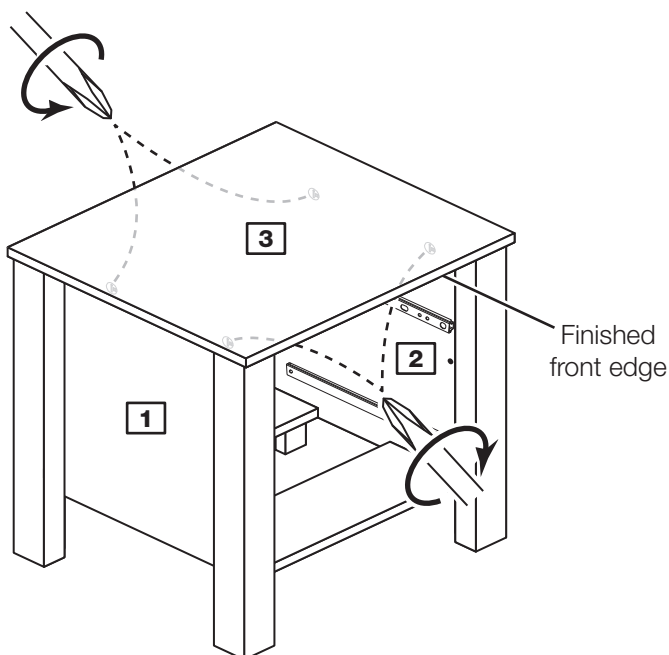
Step 16

Fit the top

Push the top **3** down onto the assembly.

Use a screwdriver to tighten the 2 large locking nuts **B** fitted to the left side **1** and the 2 large locking nuts **B** fitted to the right side **2**.

Lay the unit onto its front for the next step.



Assembly Instructions

Step 17

Fit the back

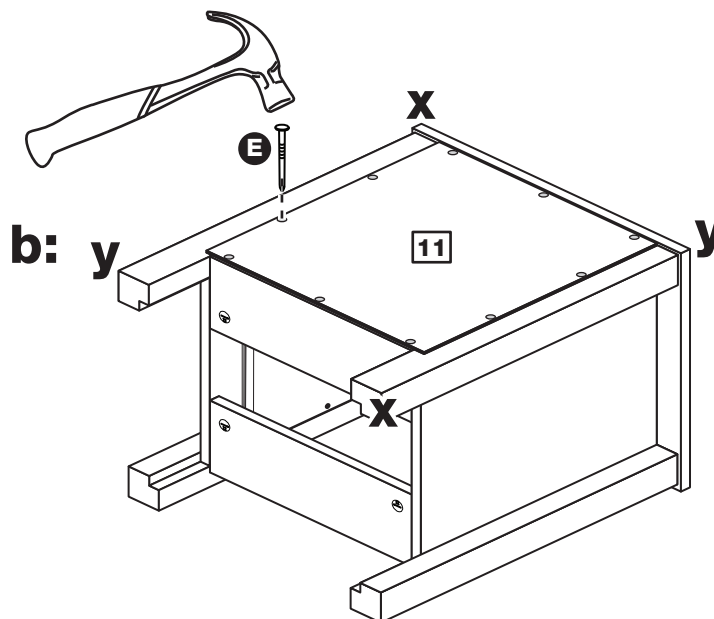
a: Square up the unit by making sure that measurement **x** to **x** equals **y** to **y**.

b: Place the back **11** onto the unit.

Nail **E** around the outside edges of the back **11**.

Stand the unit up for the next step.

a: The measurement from top corner X to bottom corner X must be equal to the measurement from top corner Y to bottom corner Y



Step 18

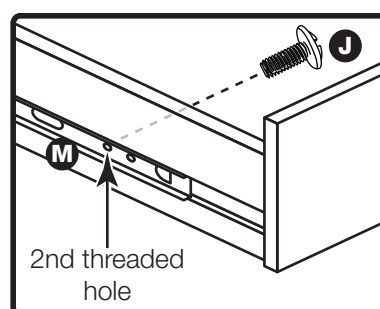
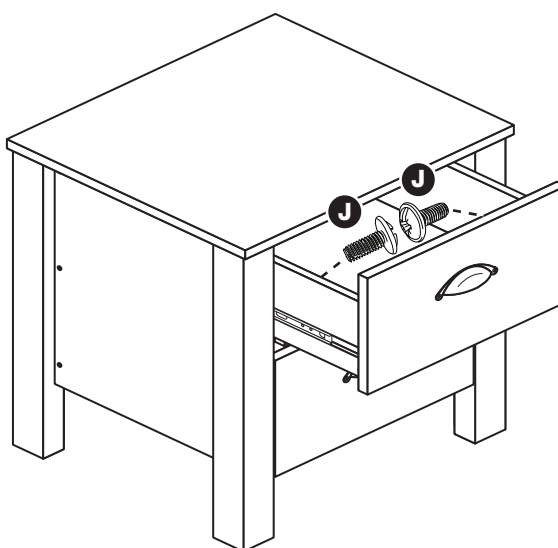
Fit the drawers

Starting with the bottom drawer, slide both the runners **M** forward and locate the drawer sides **7** and **8** between them, lining up the holes in the drawer wrap with the 2nd 'threaded' holes in the runners **M**.

Working from the inside of the drawer, insert 2 screws **J** through the drawer sides and out into the 2nd threaded hole in the runner.

Note: Do not overtighten the screws **J**. If they catch on the runner you may need to loosen them slightly.

Assembly is complete



If you need help or have damaged or missing parts, call the Customer Helpline: 03456 400800 and quote the reference numbers on the component pages.

Argos Ltd, 489-499 Avebury Boulevard, Central Milton Keynes, MK9 2NW