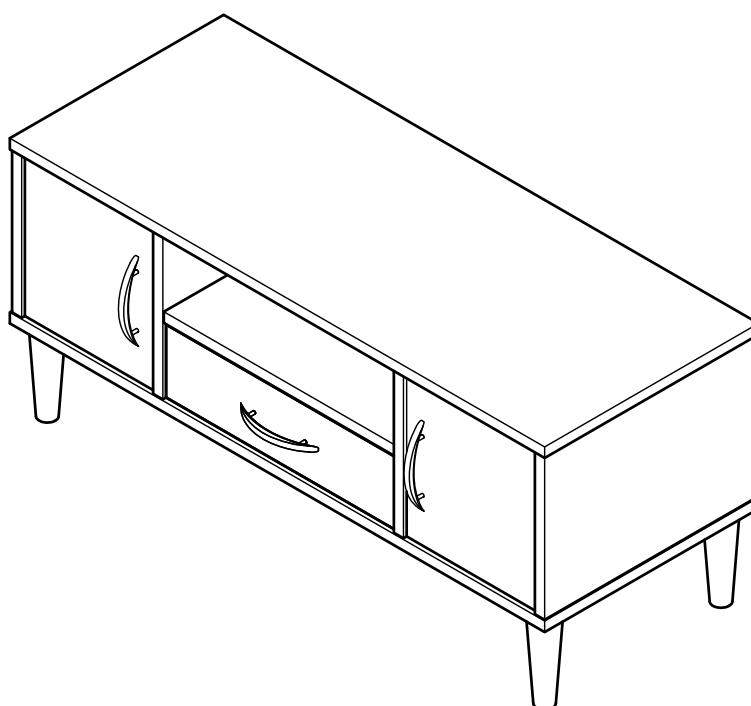


Hygena Birkdale TV Unit

Assembly Instructions - Please keep for future reference

413/4051

hygena



Dimensions

Width - 100cm

Depth - 40cm

Height - 45cm

Important - Please read these instructions fully before starting assembly

If you need help or have damaged or missing parts, call the **Customer Helpline: 03456 400800**



Safety and Care Advice

Important - Please read these instructions fully before starting assembly

- Check you have all the components and tools listed on the following pages.
- Remove all fittings from the plastic bags and separate them into their groups.
- Keep children and animals away from the work area, small parts could choke if swallowed.
- Make sure you have enough space to layout the parts before starting.

- During assembly do not stand or put weight on the product, this could cause damage.
- Assemble the item as close to its final position (in the same room) as possible.
- Assemble on a soft level surface to avoid damaging the unit or your floor.
- Parts of the assembly will be easier with 2 people.



- To reduce the likelihood of damaging your product please ensure that your power drill is set on a low torque setting.

Care and maintenance

- Only clean using a damp cloth and mild detergent, do not use bleach or abrasive cleaners.
- From time to time check that there are no loose screws on this unit.
- This product should not be discarded with household waste. Take to your local authority waste disposal centre.

Handy Hints

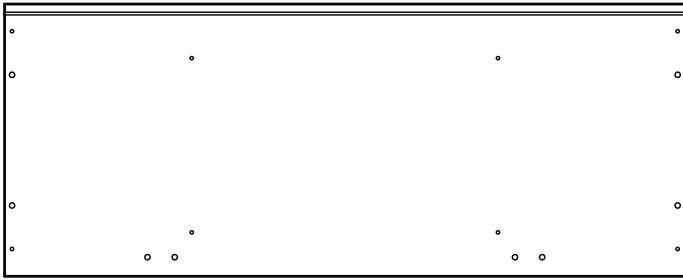
- Regularly check and ensure that all bolts and fittings are tightend properly.

Note: If required the next page can be cut out and used as reference throughout the assembly. Keep this page with these instructions for future reference.

Components - Panels

If you have damaged or missing components, call the **Customer Helpline: 03456 400800**

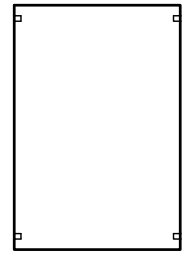
Please check you have all the panels listed below



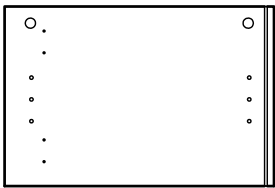
1 Top panel (100 x 40.cm)



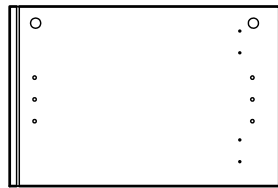
7 Shelf (43.2 x 37.7cm)



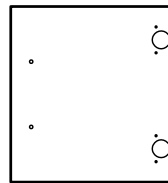
9 Adjust shelf x 2 (24.4 x 35.9cm)



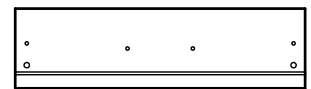
2 Left side panel (26.4x 39.6cm)



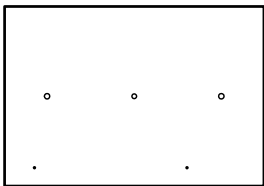
3 Right side panel (26.4x 39.6cm)



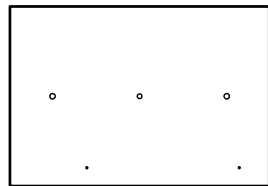
8 Door x 2 (25.8 x 24cm)



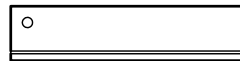
11 Drawer front (42.6 x 11.7cm)



4 Left middle side panel (26.4x 38.1cm)



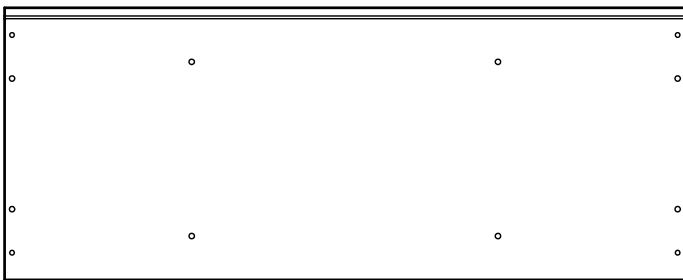
5 Right middle side panel (26.4x 38.1cm)



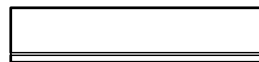
12 Drawer left side (35x 8cm)



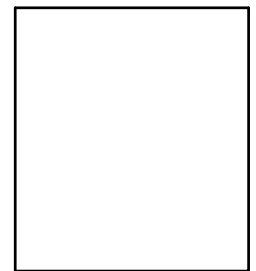
13 Drawer right side (35x 8cm)



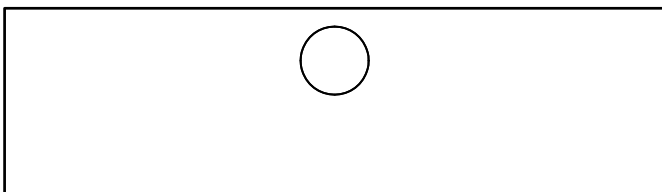
6 Bottom panel (100x 40cm)



14 Drawer back (37.7x 8cm)



15 Drawer bottom (38.7x 34.3cm)



10 Back panel (27.4x 97cm)



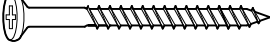



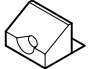
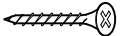






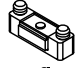




Components - Fittings

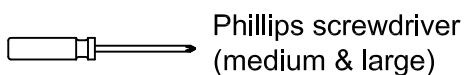
If you have damaged or missing components, call the **Customer Helpline: 03456 400800**

Please check you have all the fittings listed below

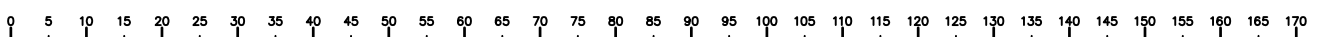
Note: The quantities below are the correct amount to complete the assembly. In some cases more fittings may be supplied than are required.

A  Locking pin x 10	B  Locking nut x 10	C  57mm Screw x 6
D  30mm Dowel x 18	E  Shelf support x 8	F  Solid wood legs x 5
G  Plastic fastener x 8	H  16mm Screw x 8	I  Drawer runner x 1 set
J  12mm Screw x 8	K  Handle x 3	L  Handle screw x 6
M  Hinge x 4	N  15mm Screw x 16	O  Silencer flaps x 2
P  38mm bolt x 5	Q  31mm Screw x 4	

Tools required



Ruler - Use this ruler to help correctly identify the screws



The screws length is measured from the head to the point (30mm screw shown).

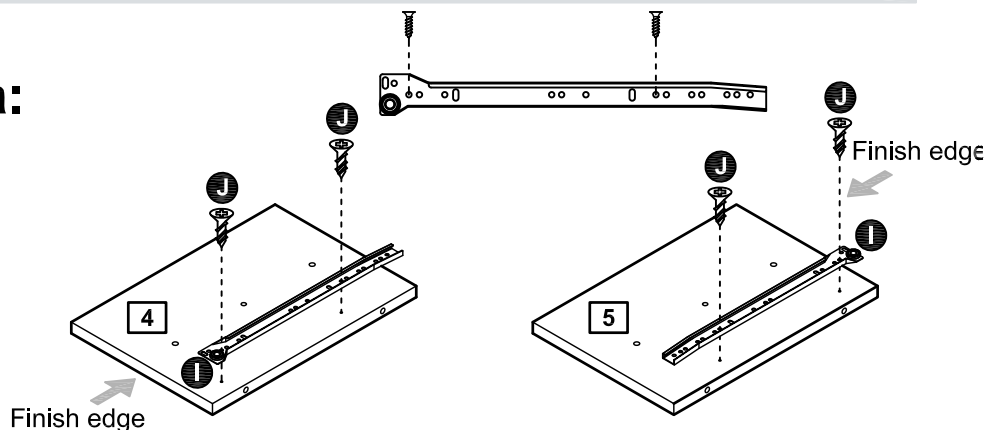
Assembly Instructions

Step 1

Fitting drawer runner

a: Use screws **J** to fix drawer runners **I** onto the left middle side **4** and right middle side **5**.

a:

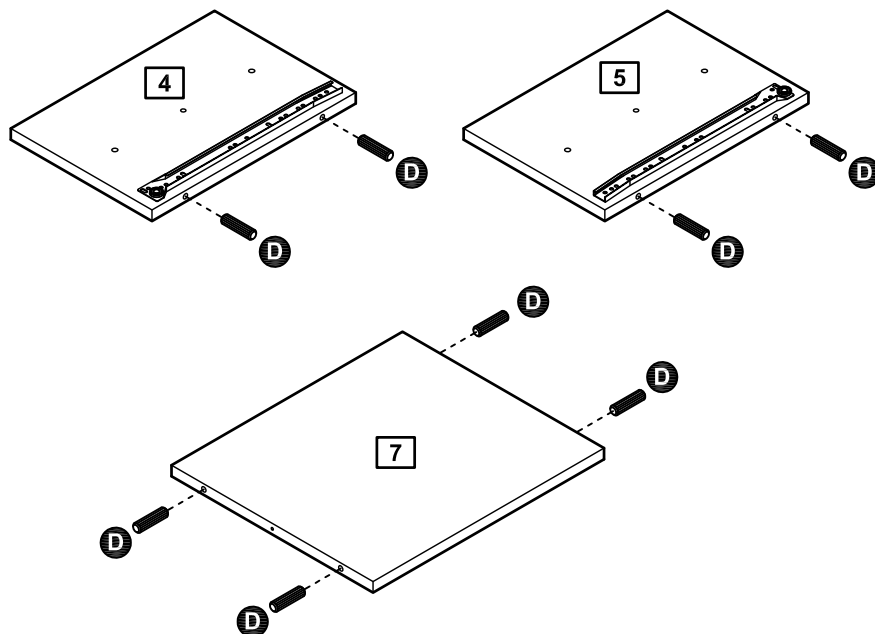


Step 2

Fitting middle side panel

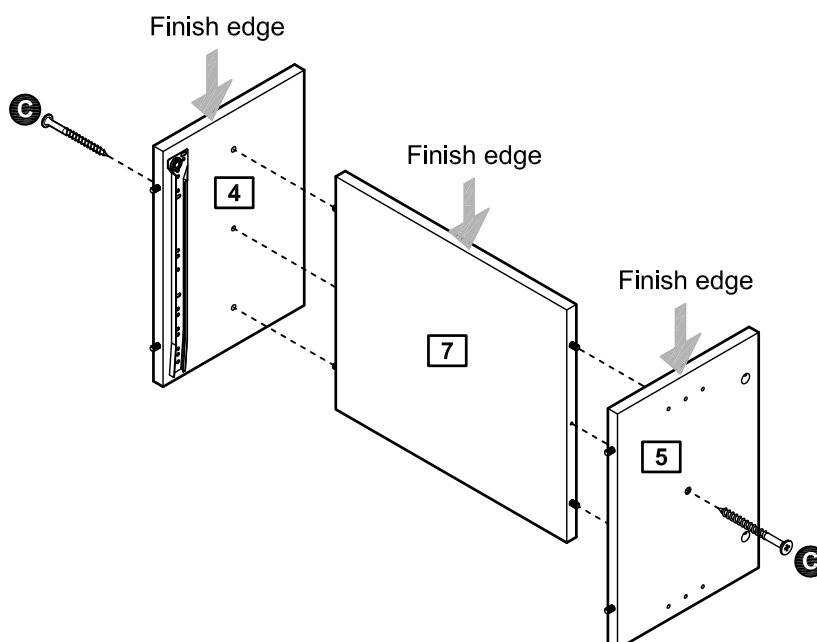
a: Insert dowels **D** into left middle side **4**, right middle side **5** and shelf **7**.

a:



b: Attach left middle side **4** and right middle side **5** and shelf **7** together with screws **G**, using the screwdriver to tighten.

b:

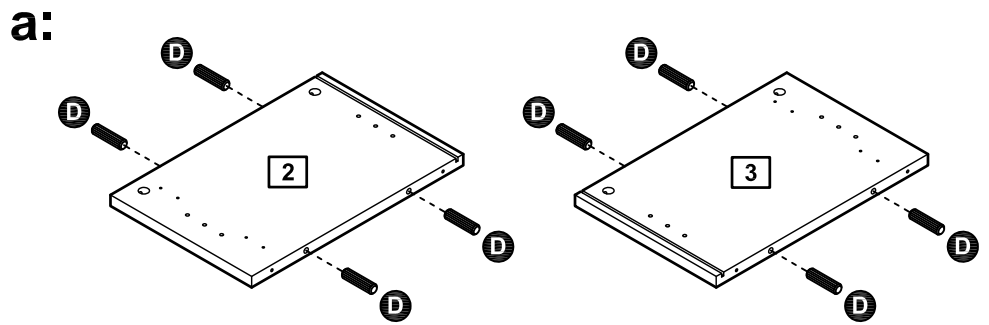


Assembly Instructions

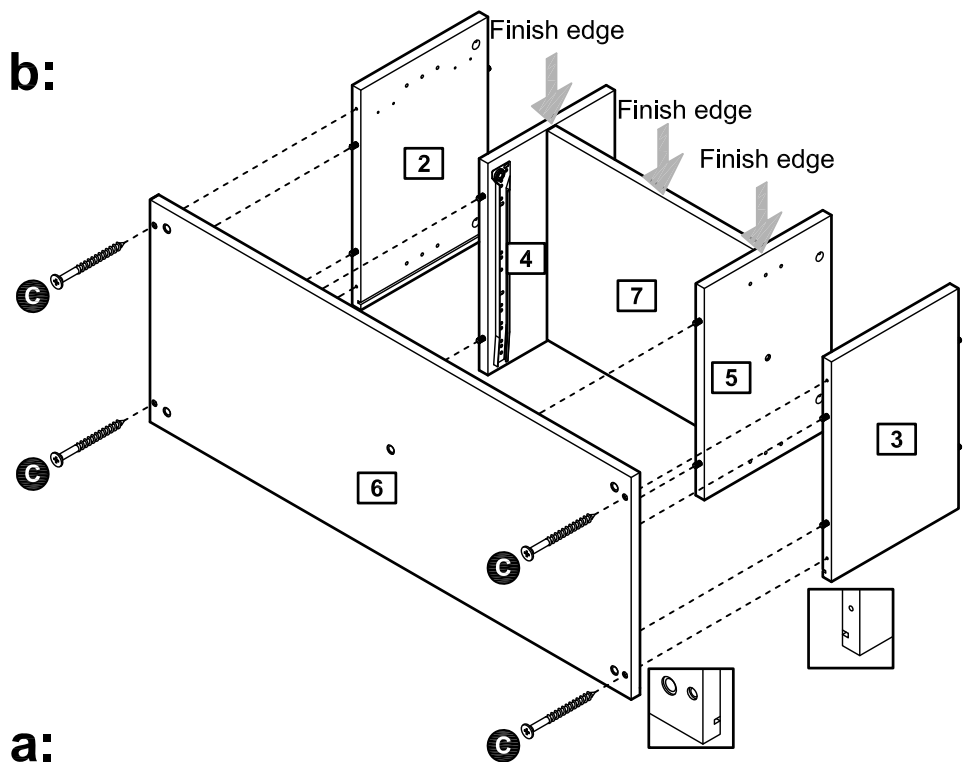
Step 3

Fitting bottom panel

a: Insert dowels **D** into left side **2** and right side **3**.



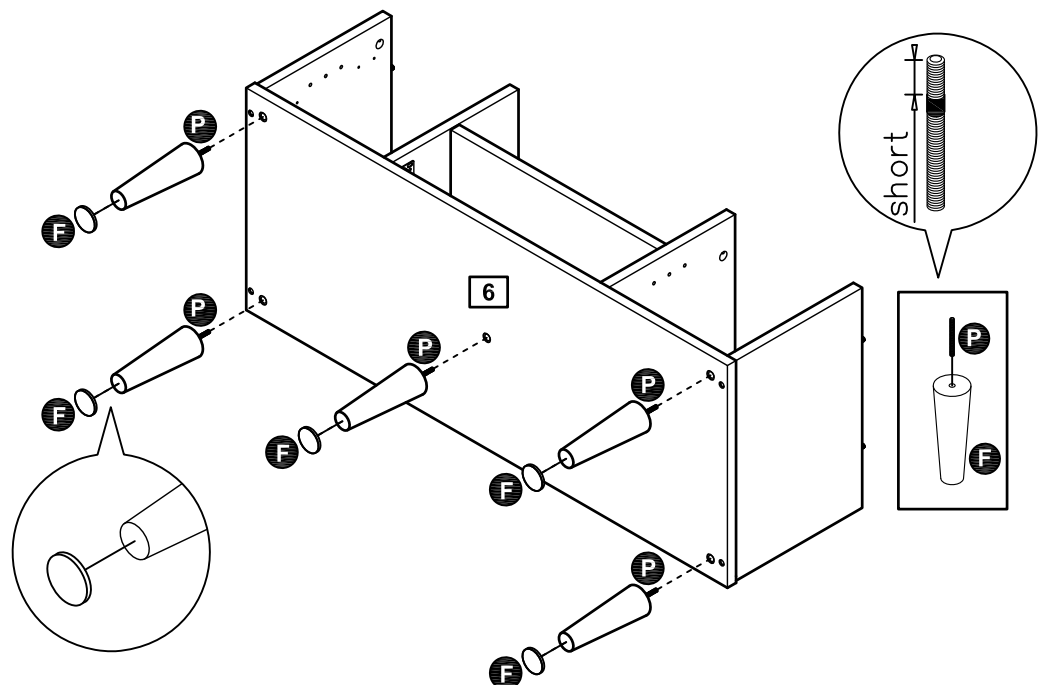
b: Attach the bottom panel **6** and assembled unit together with screws **C**, using a screwdriver to tighten.



Step 4

Fitting solid wood legs

a: Fix solid wood legs **F** to the bottom panel **6** using bolts **P**.

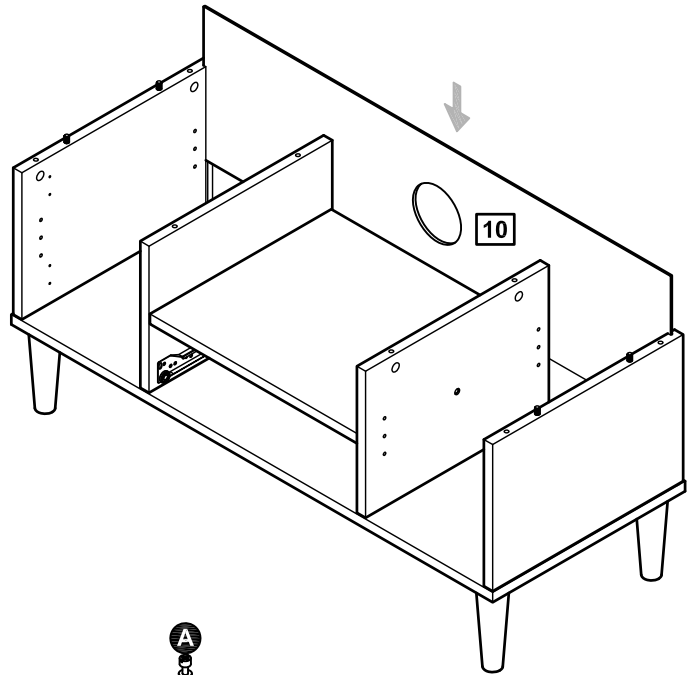


Assembly Instructions

Step 5

a: Slide back panel **10** into the unit.

a:



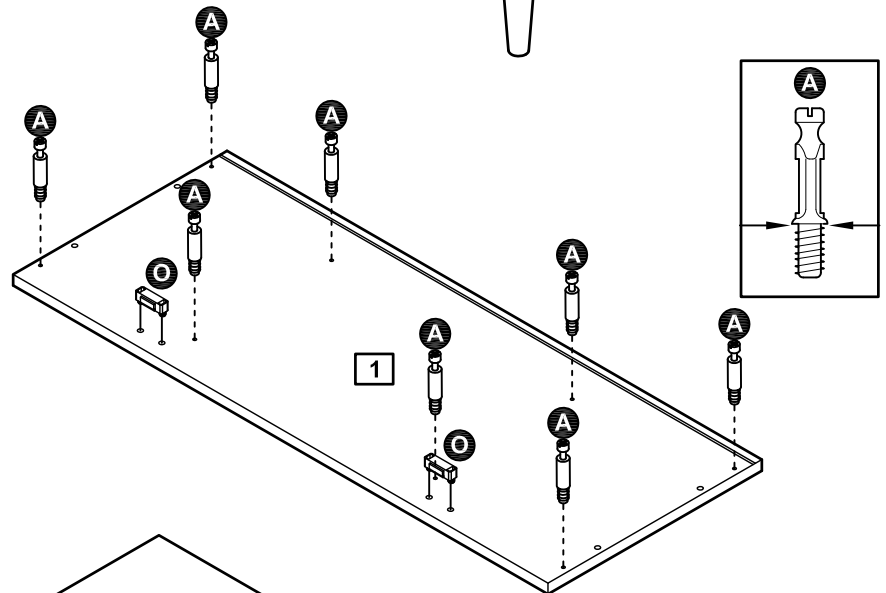
Step 6

Fitting the top panel

a: Screw locking pins **A** into top panel **1**. Insert locking pins as far as shown.

Insert silencer flaps **O** into top panel **1**.

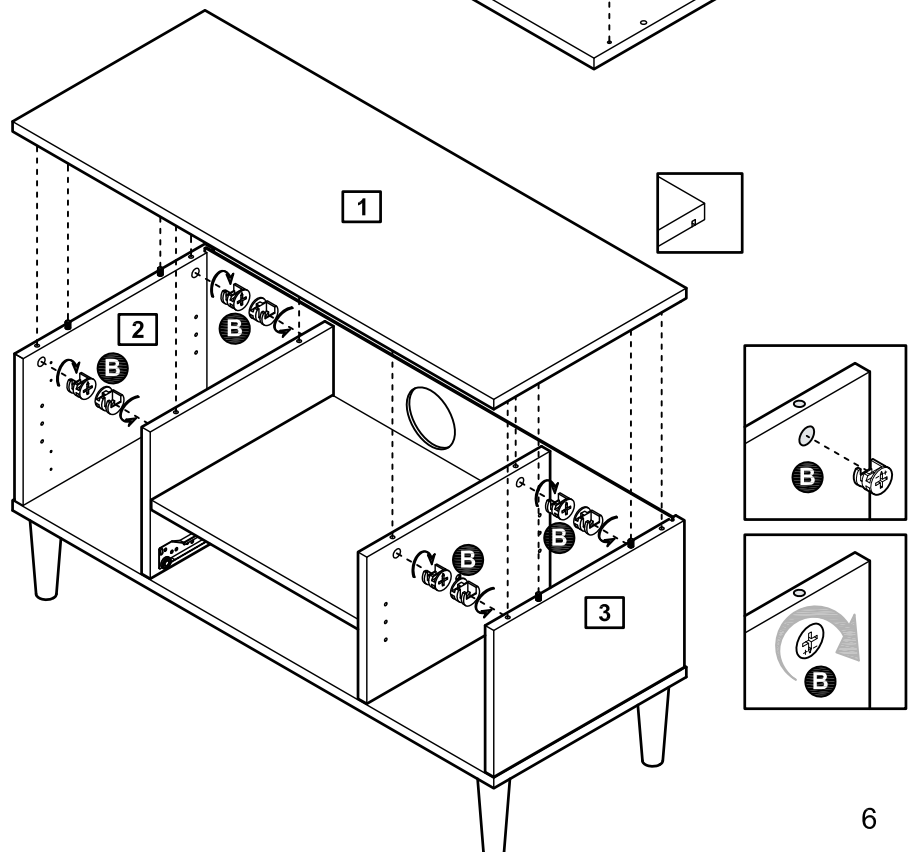
a:



b: Attach the top panel **1** onto the unit.

Insert locking nuts **B** into the unit, then use a screwdriver to turn locking nuts clockwise to lock as shown in the two detailed views.

b:



Assembly Instructions

Step 7

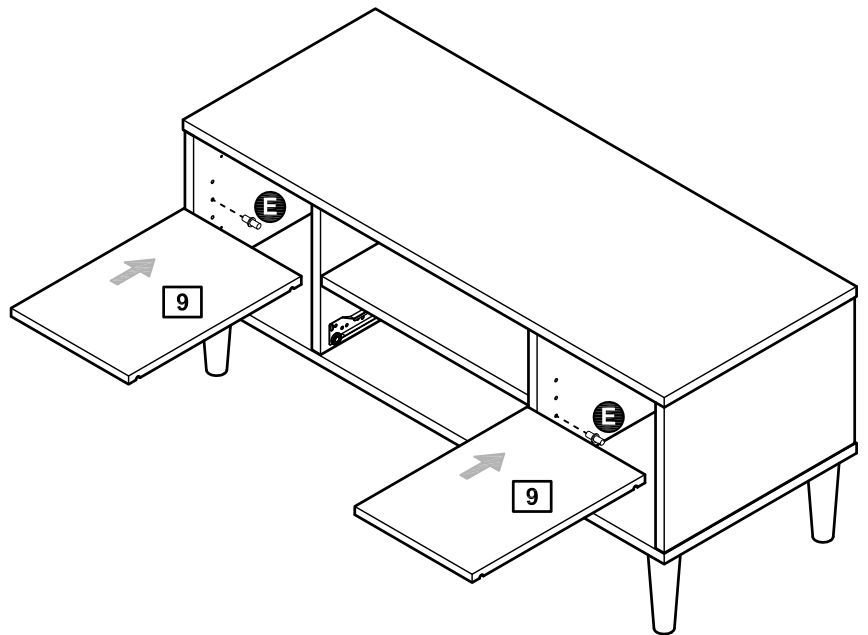
Fitting the shelf

a: Place shelf supports **E** into the unit.

NOTE: Adjust the shelf supports to the desired height.

Slide shelf **9** into the unit.

a:



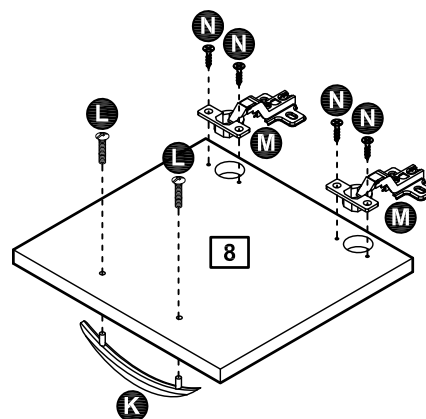
Step 8

Fitting the door

a: Attach hinges **M** to door with screws **N** using a screwdriver to tighten.

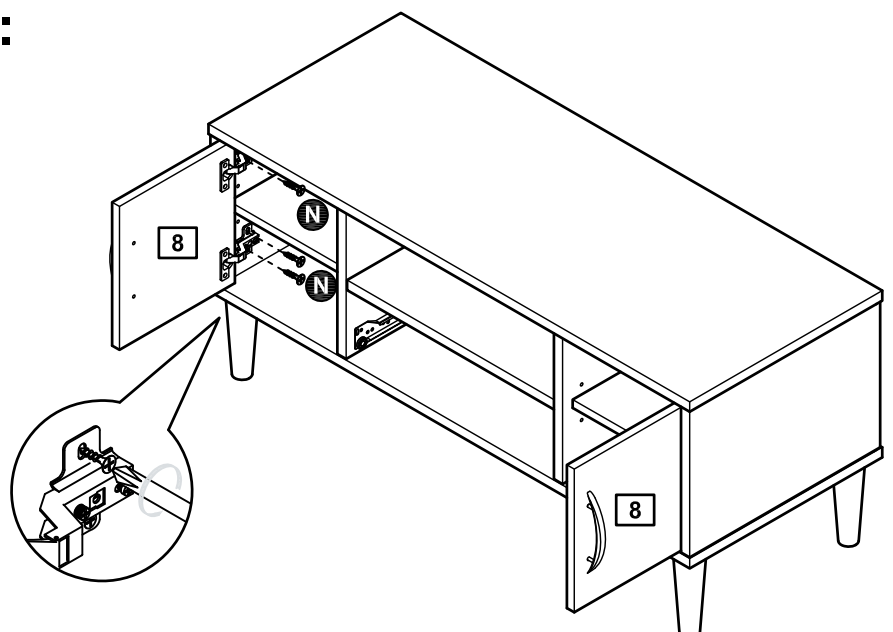
Use handle screws **L** to fix the handle **K** onto the door **8**.

a:



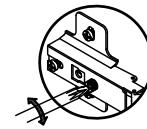
b: Attach the door **8** to the assembled unit with screws **N** using a screwdriver to tighten.

b:

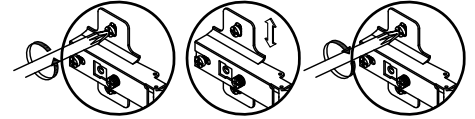


Assembly Instructions

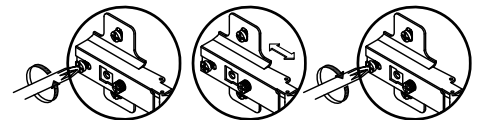
LATERAL



VERTICAL



FRONT-TO-BACK



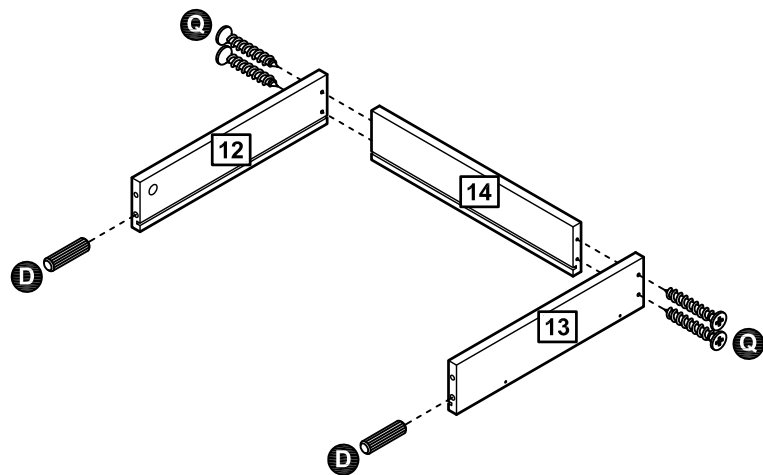
Step 9

Fitting the drawer

a: Use screws **Q** to fix drawer left **12** and drawer right **13** onto the drawer back **14** together.

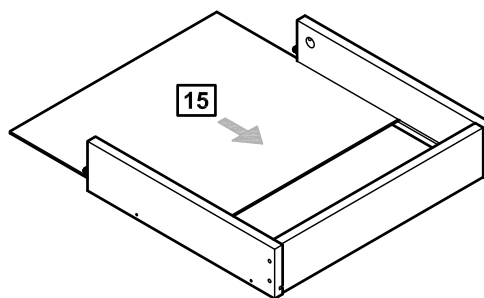
Insert dowels **D** into left side **12** and right side **13**.

a:



b: Slide drawer bottom **15** into the unit.

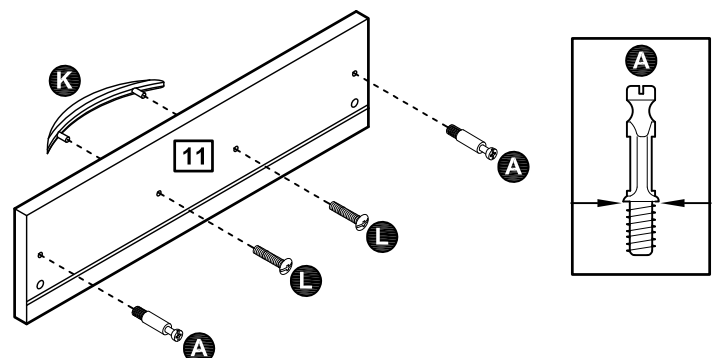
b:



c: Screw the locking pins **A** into the drawer front **11**. Insert locking pins as far as shown.

Use handle screws **L** to fix the handle **K** onto the drawer front **11**.

c:



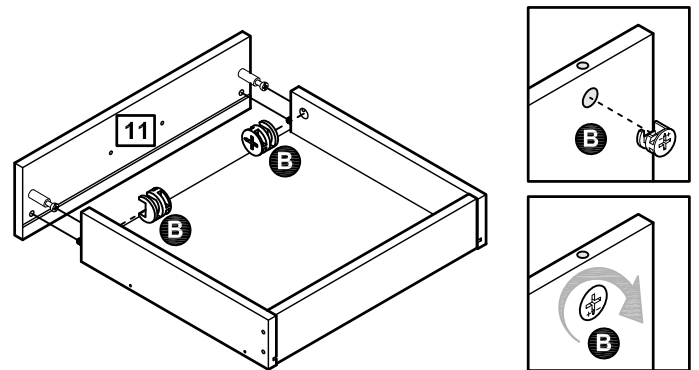
Assembly Instructions

Step 9 - continued

d: Attach drawer front **13** onto the unit.

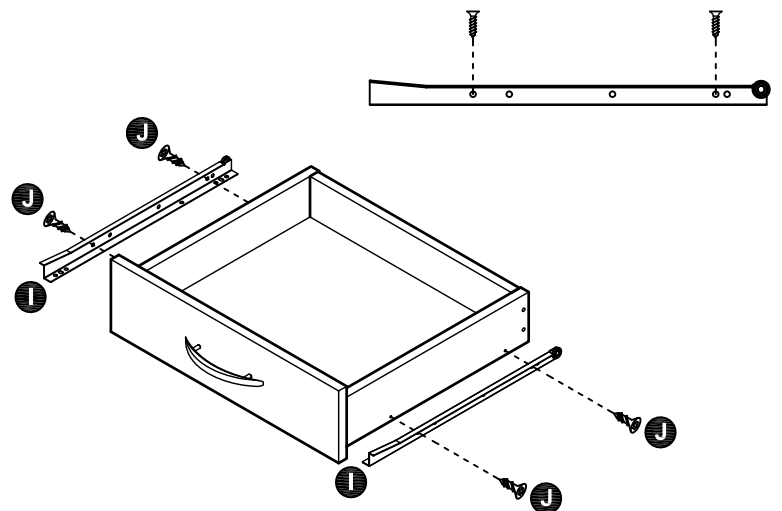
Insert locking nuts **B** into the unit, then use a screwdriver to turn locking nuts clockwise to lock.

d:



e: Attach drawer runners **I** and the drawer unit together with screws **J**.

e:

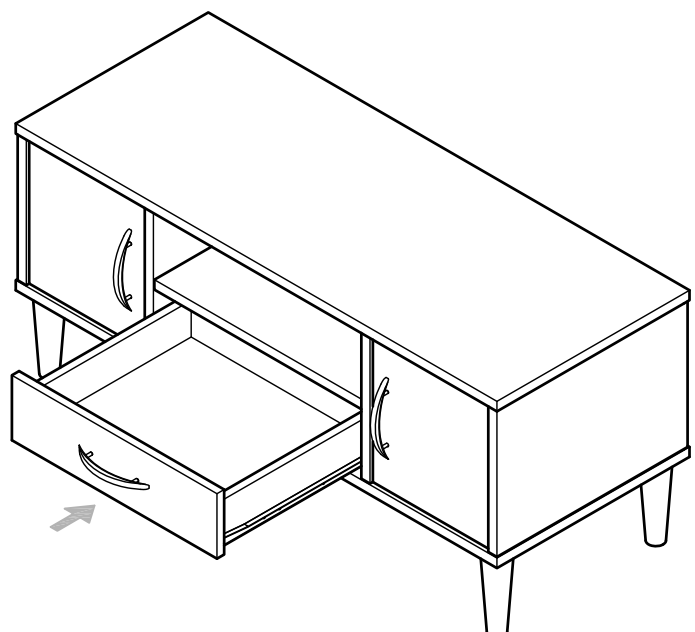


Step 10

Finish the unit

a: Slide the drawer into the unit.

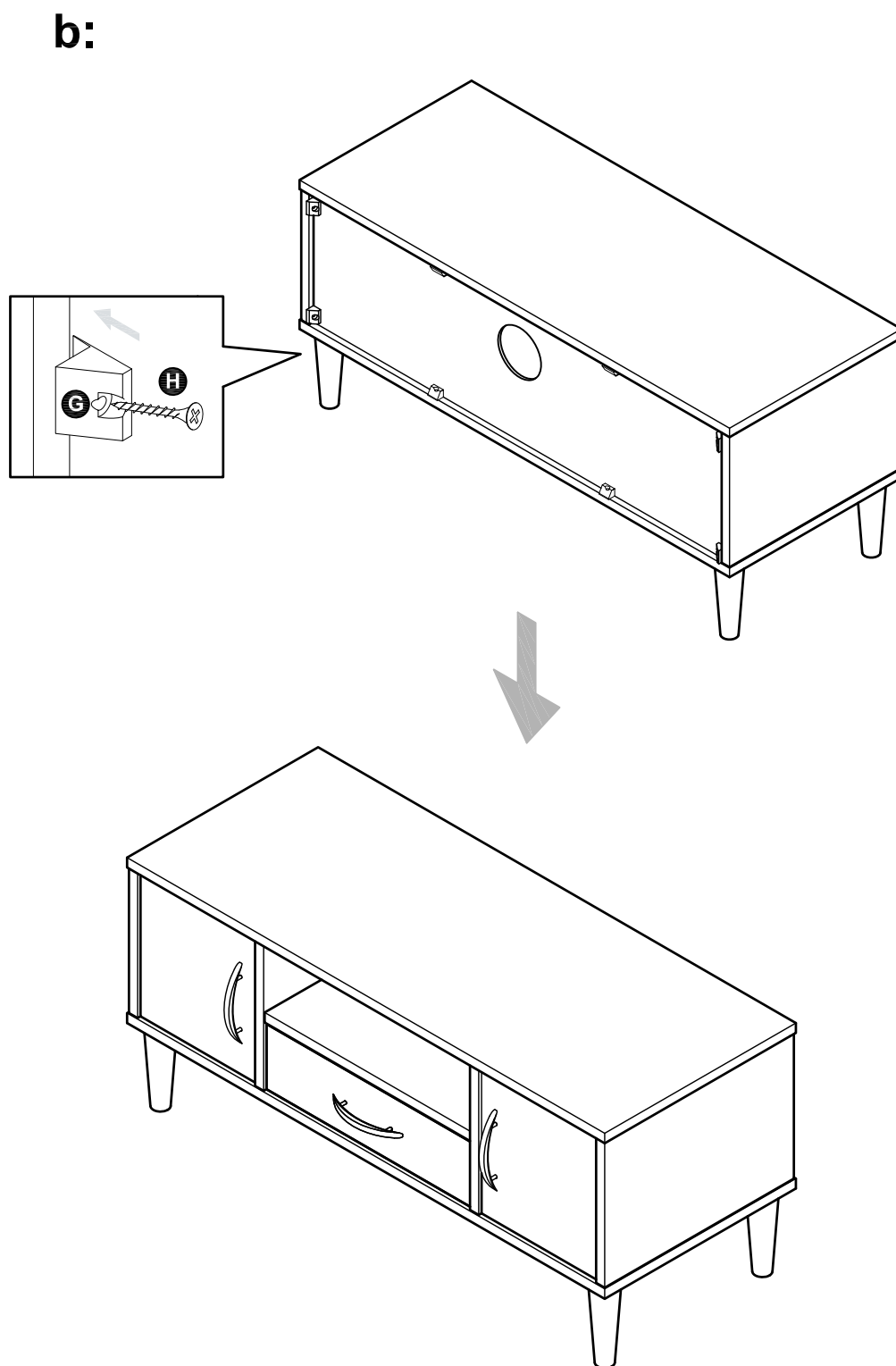
a:



Assembly Instructions

Step 10 - continued

b: Insert plastic fasteners **G** into the back panel grooves and secure with screws **H**, tighten with a screwdriver.



Assembly is complete.

If you need help or have damaged or missing parts, call the **Customer Helpline: 03456 400800**