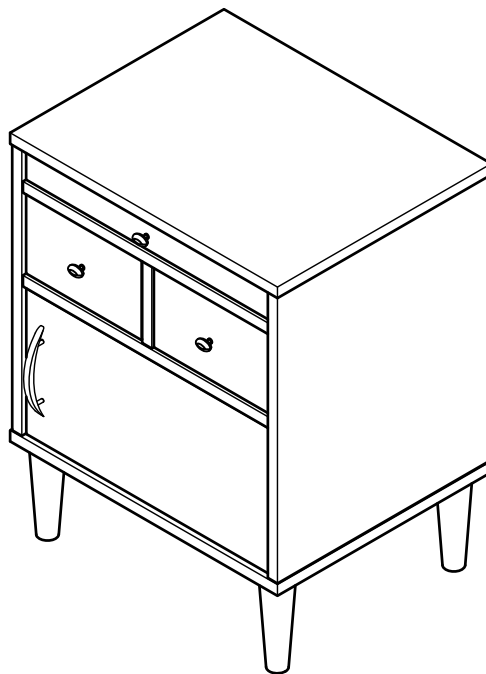


Hygena Birkdale Chest

Assembly Instructions - Please keep for future reference

413/2060

hygena



Dimensions

Width - 50cm

Depth - 40cm

Height - 65cm

Important - Please read these instructions fully before starting assembly

If you need help or have damaged or missing parts, call the **Customer Helpline: 03456 400800**



Safety and Care Advice

Important - Please read these instructions fully before starting assembly

- Check you have all the components and tools listed on the following pages.
- Remove all fittings from the plastic bags and separate them into their groups.
- Keep children and animals away from the work area, small parts could choke if swallowed.
- Make sure you have enough space to layout the parts before starting.

- During assembly do not stand or put weight on the product, this could cause damage.
- Assemble the item as close to its final position (in the same room) as possible.
- Assemble on a soft level surface to avoid damaging the unit or your floor.
- Parts of the assembly will be easier with 2 people.



- To reduce the likelihood of damaging your product please ensure that your power drill is set on a low torque setting.

Care and maintenance

- Only clean using a damp cloth and mild detergent, do not use bleach or abrasive cleaners.
- From time to time check that there are no loose screws on this unit.
- This product should not be discarded with household waste. Take to your local authority waste disposal centre.

Handy Hints

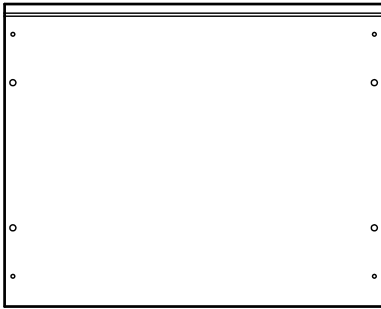
- Regularly check and ensure that all bolts and fittings are tightend properly.

Note: If required the next page can be cut out and used as reference throughout the assembly. Keep this page with these instructions for future reference.

Components - Panels

If you have damaged or missing components, call the **Customer Helpline: 03456 400800**

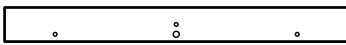
Please check you have all the panels listed below



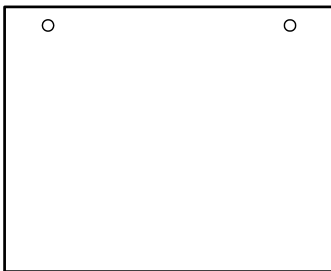
1 Top panel (50 x 40cm)



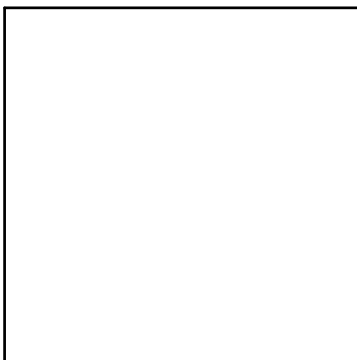
2 Bottom panel (50x 40cm)



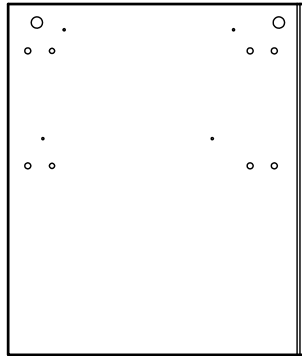
7 Top drawer front panel (45.4x 4.5cm)



8 Top drawer bottom panel (43.5x 35cm)



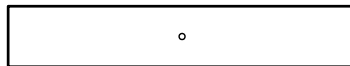
9 Back (47.4x 47cm)



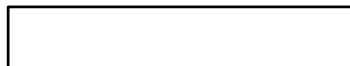
3 Left side panel (46.4x 39.6cm)



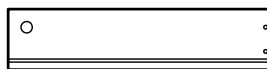
5 Middle side panel (13.4x 37cm)



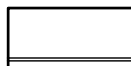
10 Support rail (46x 8cm)



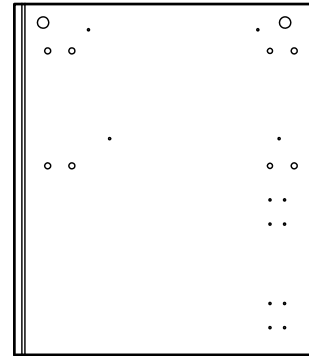
12 Back support x2 (46x 8cm)



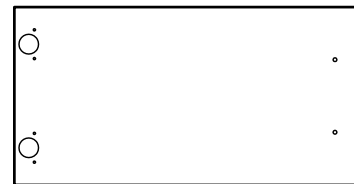
14 Drawer left side x2 (35x 8cm)



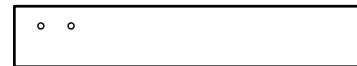
16 Drawer back x2 (16.6x 8cm)



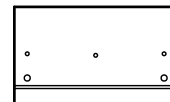
4 Right side panel (46.4x 39.6cm)



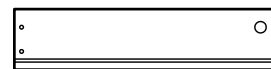
6 Door (23.5x 45.4cm)



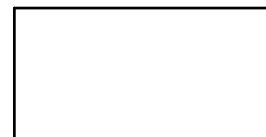
11 Support rail (46x 8cm)



13 Drawer front x2 (21.5x 12.8cm)



15 Drawer right side x2 (35x 8cm)



17 Drawer bottom x2 (17.6x 34.3cm)



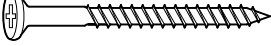
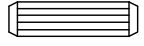

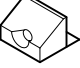
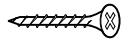







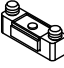



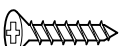
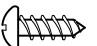
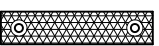


Components - Fittings

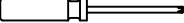
If you have damaged or missing components, call the **Customer Helpline: 03456 400800**

Please check you have all the fittings listed below

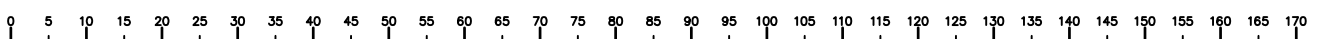
Note: The quantities below are the correct amount to complete the assembly. In some cases more fittings may be supplied than are required.

A  Locking pin x 10	B  Locking nut x 10	C  57mm Screw x 8
D  30mm Dowel x 25	E  Solid wood legs x 4	F  Plastic fastener x 6
G  16mm Screw x 6	H  Drawer runner x 2 set	I  12mm Screw x 24
J  Handle x 1	K  Handle screw x 5	L  Hinge x 2
M  15mm Screw x 12	N  Handle x 3	O  Silencer flaps x 1
P  Drawer runner x 1 set	Q  38mm bolt x 4	R  Cover stickers x 4
S  31mm Screw x 8	T  15mm Screw x 1	U  Wall Strap x 1

Tools required

 Phillips screwdriver
(medium & large)

Ruler - Use this ruler to help correctly identify the screws



The screws length is measured from the head to the point (30mm screw shown).

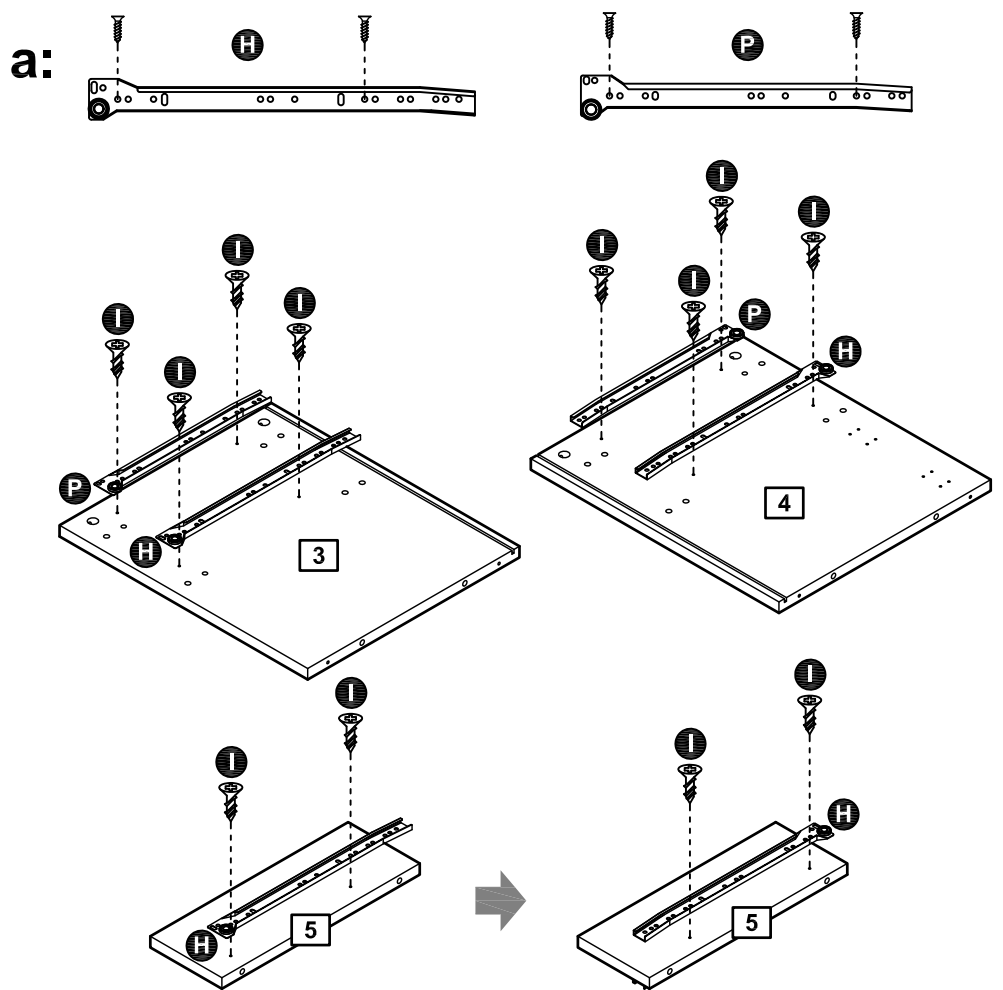
Assembly Instructions

Step 1

Fitting drawer runner

a: Use screws **I** to fix drawer runners **P** and **H** onto the left side **3** and right side **4**.

Use screws **I** to fix drawer runners **H** onto the middle side **5**.

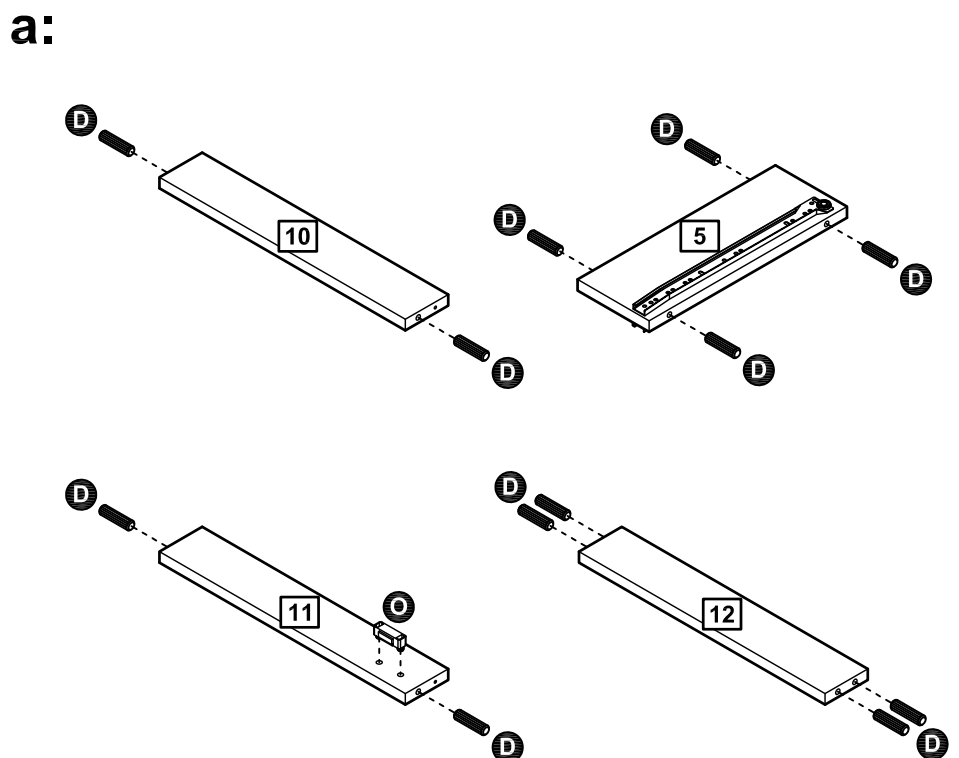


Step 2

Fitting middle side panel

a: Insert dowels **D** into middle side **5** and support rail **10**, **11** and back support **12**.

Insert silencer flaps **O** into support rail **11**.

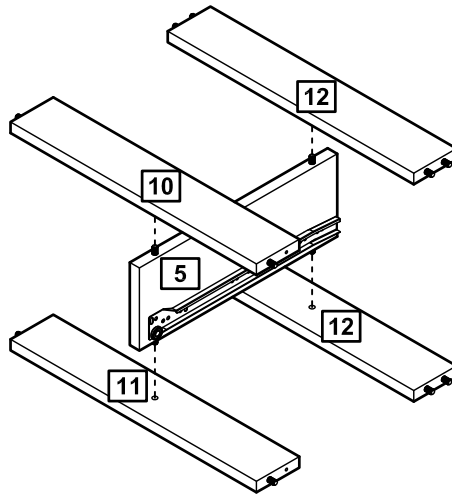


Assembly Instructions

Step 2 - continued

b: Attach the middle side panel **5** and support rail **10** **11** and back support **12**.

b:

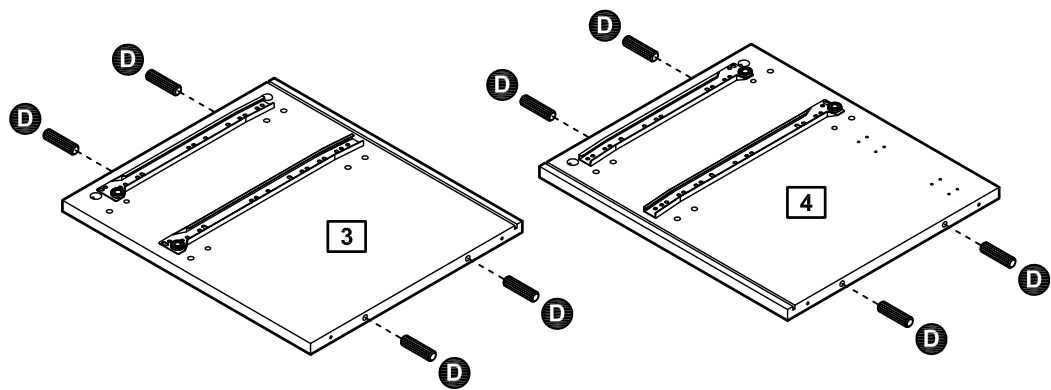


Step 3

Fitting the side

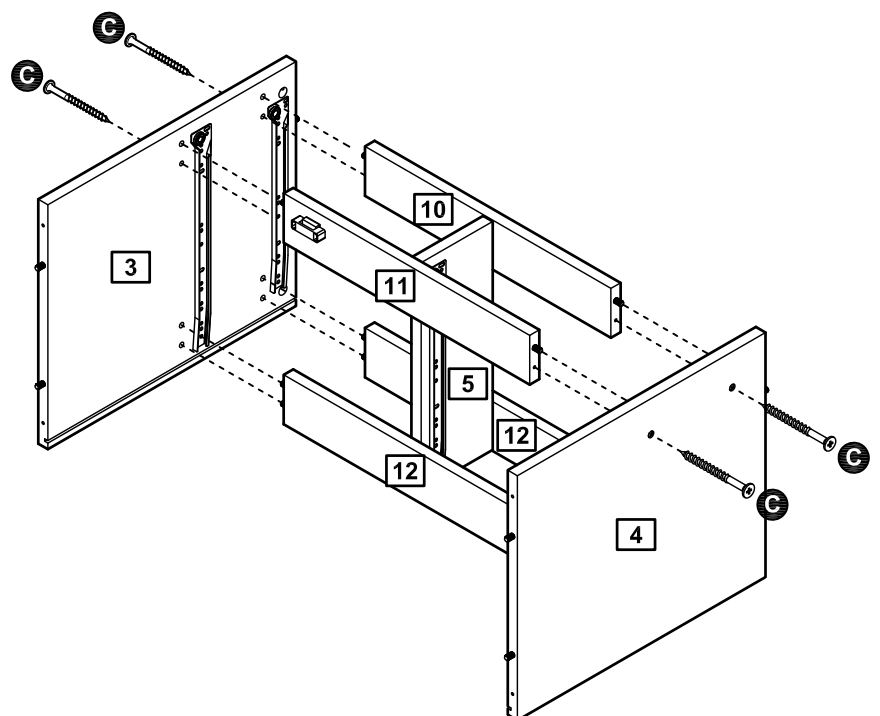
a: Insert dowels **D** into left side **3** and right side **4**.

a:



b: Attach support rail **10** **11** and back support **12** and the left side **3** and the right side **4** together with screws **C**, using the screwdriver to tighten.

b:



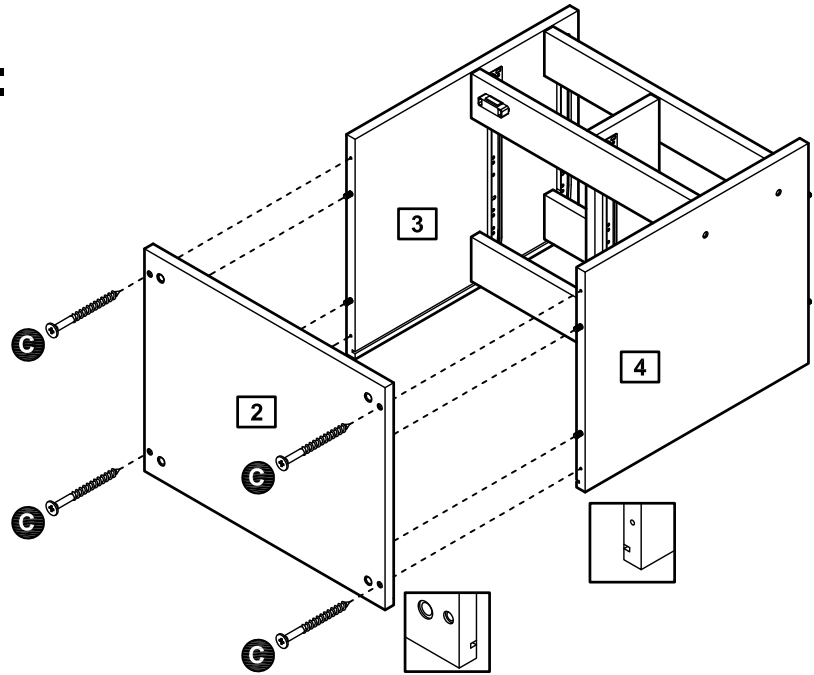
Assembly Instructions

Step 4

Fitting the bottom

a: Attach the bottom panel **2** and assembled unit together with screws **G**, using a screwdriver to tighten .

a:

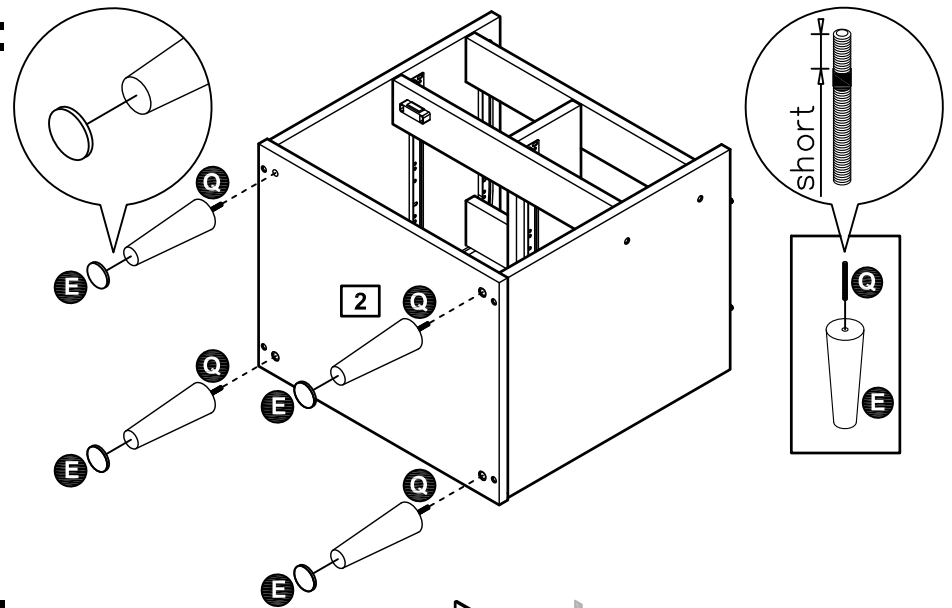


Step 5

Fitting solid wood legs

a: Fix solid woods legs **E** to the bottom panel **2** using bolts **Q**.

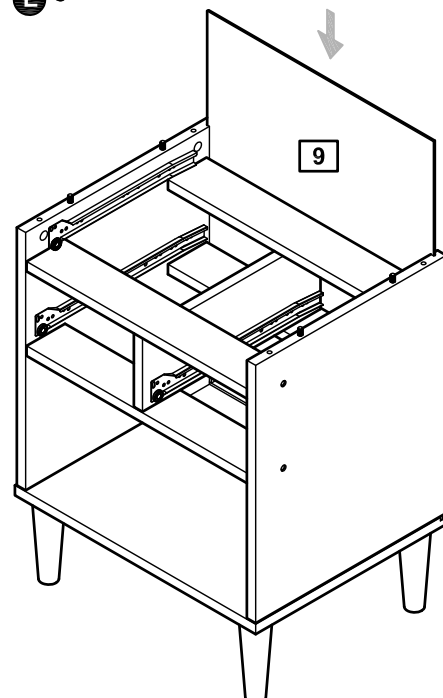
a:



Step 6

a: Slide back panel **9** into the unit.

a:

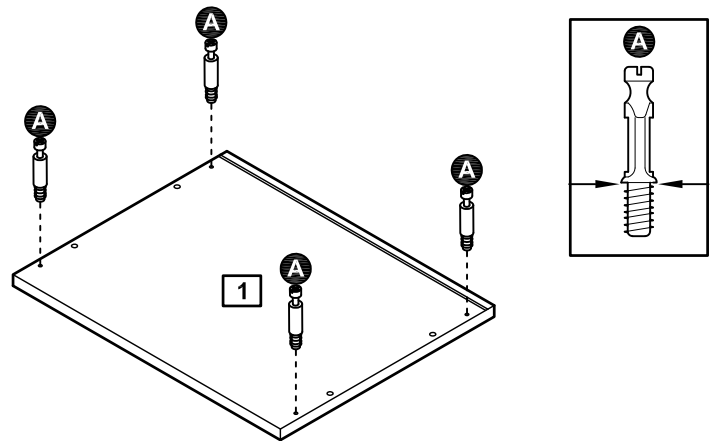


Assembly Instructions

Step 7

Fitting the top panel

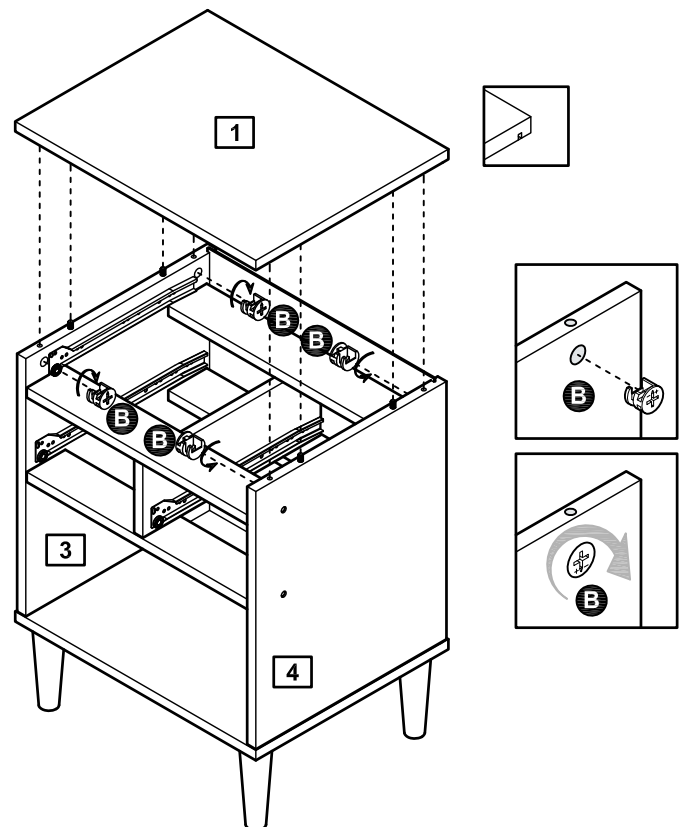
a: Screw locking pins **A** into top panel **1**. Insert locking pins as far as shown.



b: Carefully place the table top panel **1** onto the unit.

Insert locking nuts **B** into left side **3** and right side **4**, then use a screwdriver to turn locking nuts **B** clockwise to lock.

b:



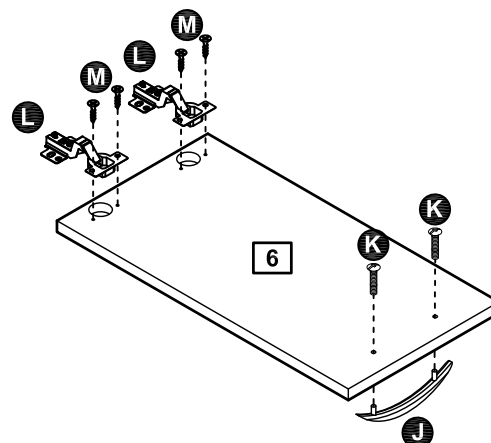
Step 8

Fitting the door

a: Attach hinges **L** to door with screws **M** using a screwdriver to tighten.

Use handle screws **K** to fix the handle **J** onto the door **6**.

a:

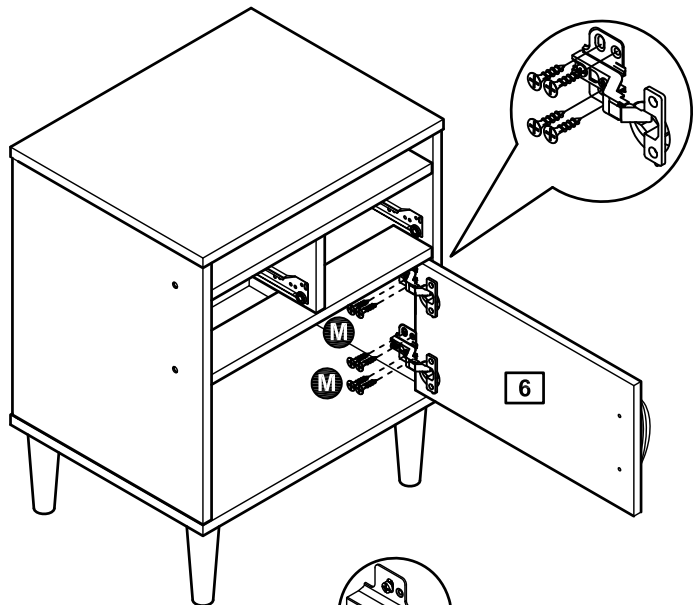


Assembly Instructions

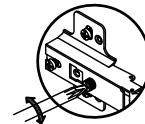
Step 8 - continued

b: Attach the door **6** to the assembled unit with screws **M** using a screwdriver to tighten.

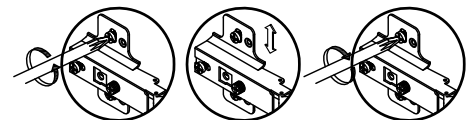
b:



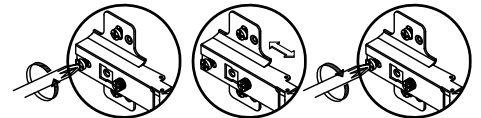
LATERAL



VERTICAL



FRONT-TO-BACK



Step 9

Fitting top drawer

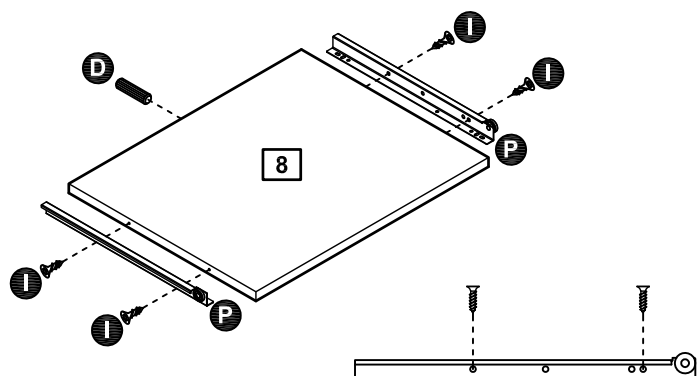
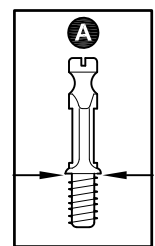
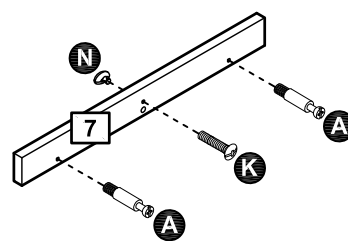
a: Screw the locking pins **A** into the top drawer front panel **7**. Insert locking pins as far as shown.

Use handle screws **K** to fix the handle **N** onto the top drawer front panel **7**.

Insert dowels **D** into top drawer bottom panel **8**.

Attach drawer runners **P** and the top drawer bottom panel **8** together with screws **I**.

a:



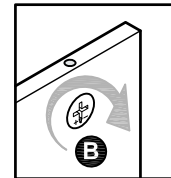
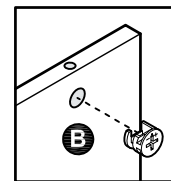
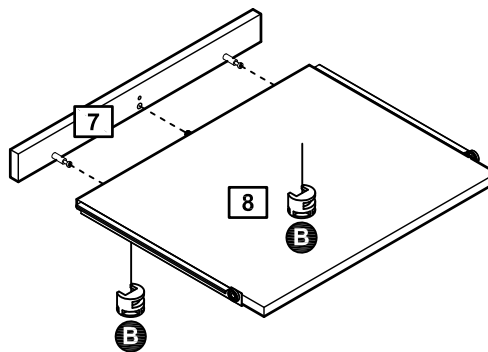
Assembly Instructions

Step 9 - continued

b: Attach top drawer front panel **7** onto the unit.

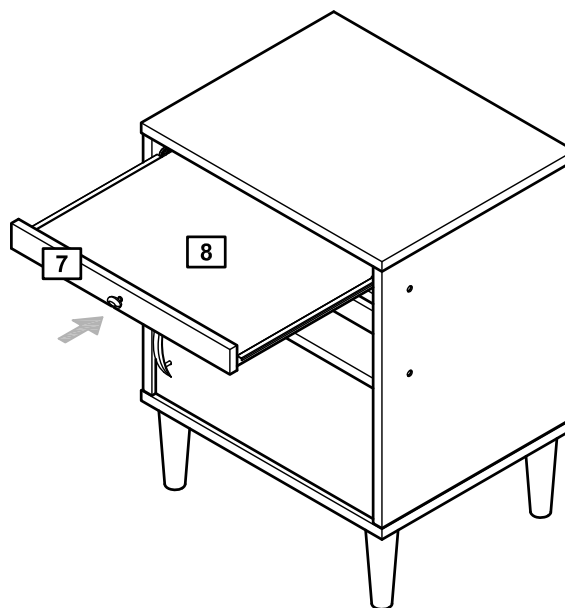
Insert locking nuts **B** into the unit, then use a screwdriver to turn locking nuts clockwise to lock.

b:



c: Slide the top drawer into the unit.

c:



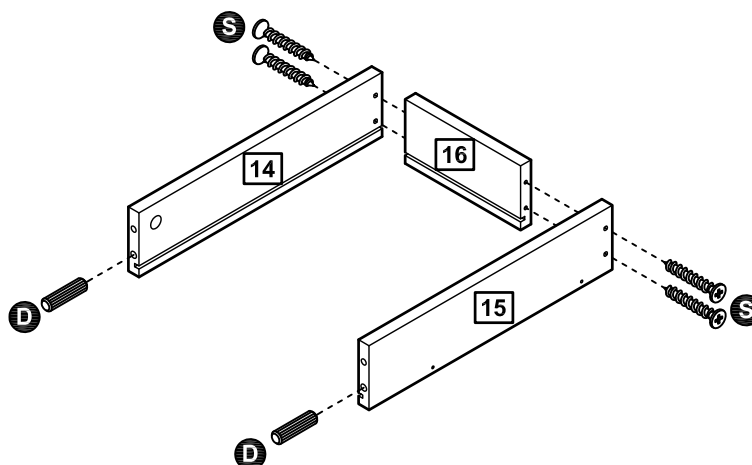
Step 10

Fitting the drawer

a: Use screws **S** to fix drawer left **14** and drawer right **15** onto the drawer back **16** together.

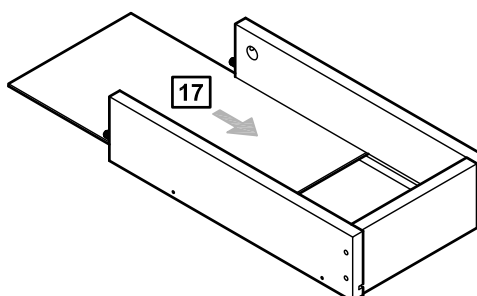
Insert dowels **D** into left side **14** and right side **15**.

a:



b: Slide drawer bottom **17** into the unit.

b:



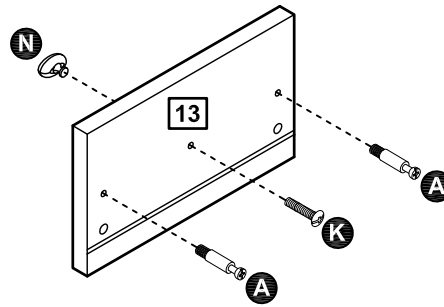
Assembly Instructions

Step 10 - continued

c: Screw the locking pins **A** into the drawer front **13**. Insert locking pins as far as shown.

Use handle screws **N** to fix the handle **K** onto the drawer front **13**.

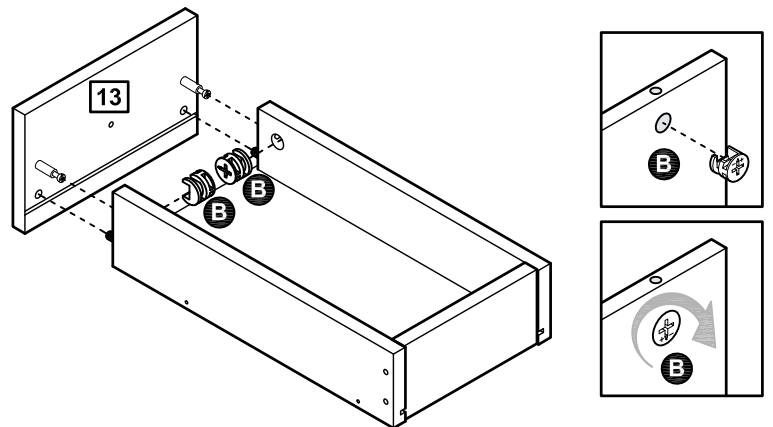
c:



d: Attach drawer front **13** onto the unit.

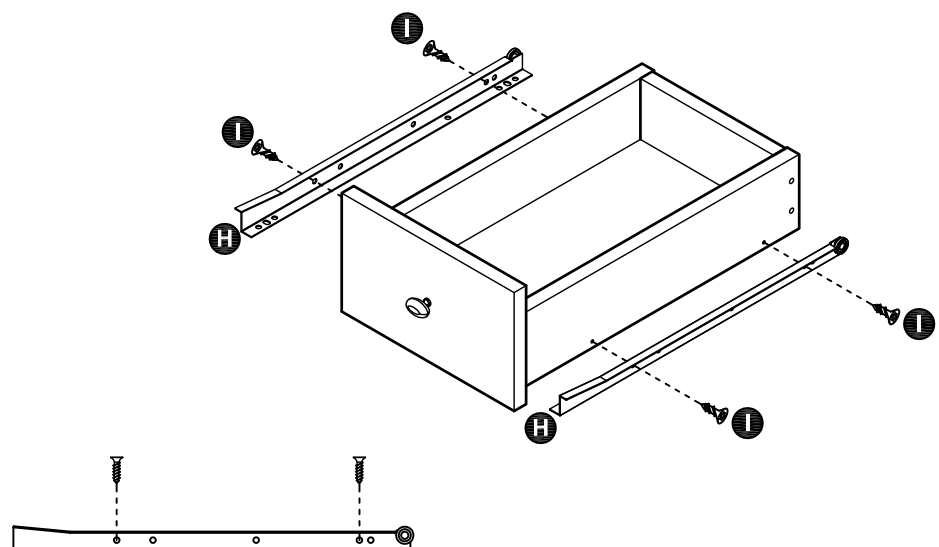
Insert locking nuts **B** into the unit, then use a screwdriver to turn locking nuts clockwise to lock.

d:



e: Attach drawer runners **H** and the drawer unit together with screws **I**.

e:



Assembly Instructions

Step 11

Finish the unit

a: Slide the drawer into the unit.

Use cover stickers **R** to cover the screw holes.

b: Insert plastic fasteners **F** into the back panel grooves and secure with screws **G**, tighten with a screwdriver.

Use the screw **T** to fix wall straps **U** to the back of the top panel.

Secure the other ends of strap to the wall using appropriate screws, washers and wall plugs for your wall type.

WARNING:

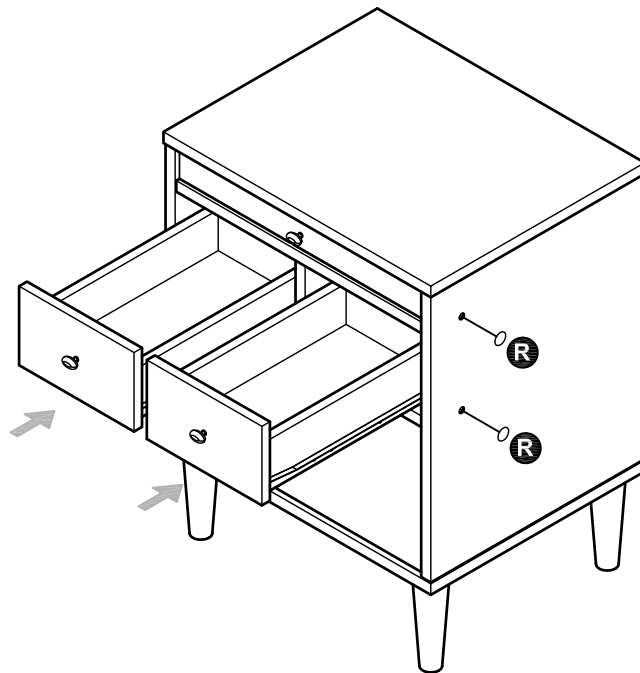
Ensure the area to be drilled is free from hidden electrical wires and water or gas pipes.

NOTE:

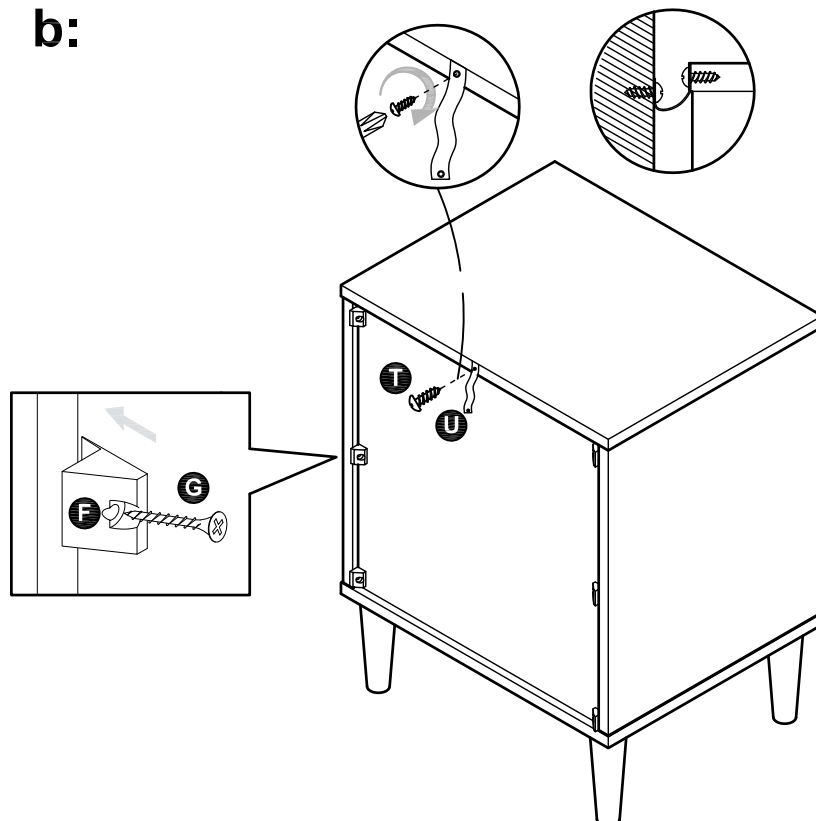
Wall fixings are not included. Please source suitable wall fixings for your wall type, if in doubt consult a qualified tradesperson.

Assembly is complete.

a:



b:



If you need help or have damaged or missing parts, call the **Customer Helpline: 03456 400800**

A Guide to - Wall Mounting & Fixings

Important note:

If plastic wall plugs are supplied with your product:



- these are only suitable for use in masonry walls.

If you are in any doubt about the correct wall plugs for your wall, seek professional advice.

Failure of the product due to using incorrect fixings is the responsibility of the installer.



Important: When drilling into walls always check that there are no hidden wires or pipes etc.

Make sure that the screws and wall plugs being used are suitable for supporting your unit. Consult a qualified tradesperson if you are unsure.

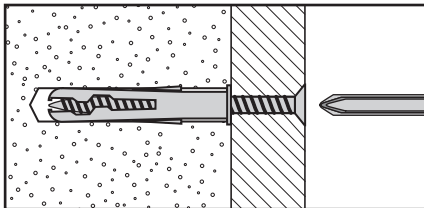
Hints:

- 1: General rule:** ⚠ Always use a larger screw and wall plug if you are not sure.
- 2: Ensure you use the recommended drill bit to match the wall plug and hole size.
- 3: Ensure you drill the hole horizontally, do not force the drill or enlarge the hole.
- 4: Take extra care when drilling high walls, ceilings and ceramic tiles. Ensure wall plugs are inserted beyond the thickness of the ceramic tiles to avoid the tiles splitting or cracking.
- 5: Ensure wall plugs are well fitted and are a tight fit in the drilled hole.

Types of walls

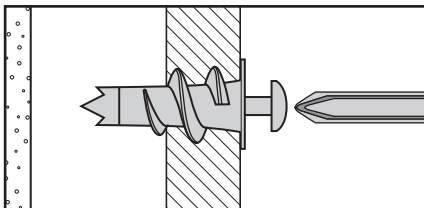
You can use one of the following types of wall plug if your walls are made of brick, breeze block, concrete, stone or wood.

No.1 "General Purpose" wall plug



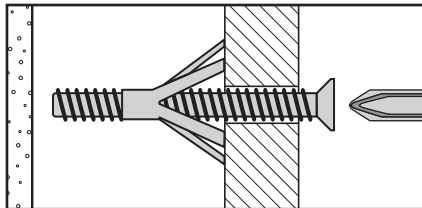
Generally aerated blocks should not be used to support heavy loads, use a specialist fitting in this case. For light loads, general purpose wall plugs can be used.

No.2 "Plasterboard" wall plug



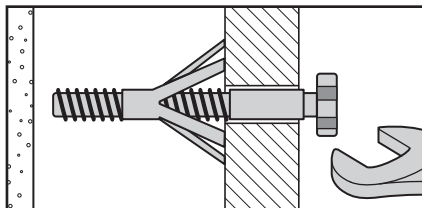
For use when attaching light loads on to plasterboard partitions.

No.3 "Cavity Fixing" wall plug



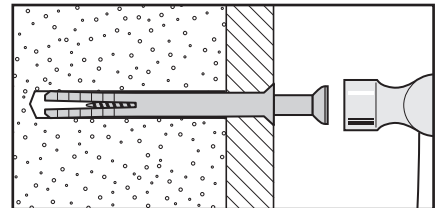
For use with plasterboard partitions or hollow wooden doors.

No.4 "Cavity Fixing-Heavy Duty" wall plug



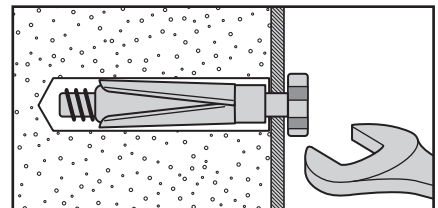
For use when fitting or supporting heavy loads such as shelving, wall cabinets and coat racks.

No.5 "Hammer Fixing" wall plug



For use with walls stuck with plasterboard. The hammer fixing allows it to be fixed to the wall rather than the plasterboard. Always check the fixing is secure to the retaining wall.

No.6 "Shield Anchor" wall plug Heavy loads



For use with heavier loads such as TV & HiFi speakers and satellite dishes etc.



Care & Maintenance

Safety: Always check the fitting and location to ensure your safety in and around the home.

Fitting: From time to time check the fitting to ensure the wall plugs or screws do not become loose.