

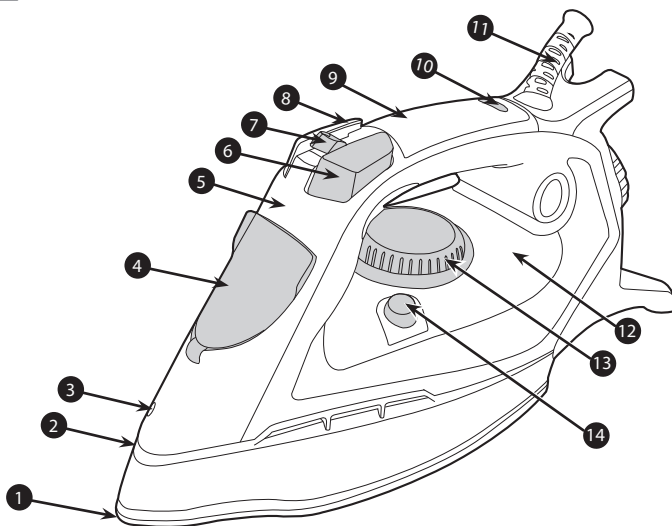
# User Manual



GENERATION FUTURE

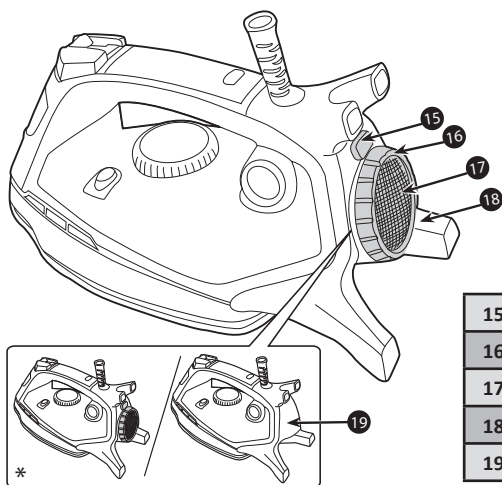


## Parts Description



1	Soleplate
2	Air Outlet
3	Spray Nozzle
4	Water Fill Cover
5	Front Cover
6	Boost Button
7	Steam Control

8	Spray Button
9	Soft Touch
10	Lamp Cover
11	Swivel
12	Water Tank
13	Temperature Dial
14	Self Clean



15	Fan Switch
16	Fan Frame
17	Fan Grid
18	Back Plate With Fan
19	Back Plate Without Fan

\* Certain Models Only



GENERATION FUTURE

## Introduction

Dear customer,

First of all, we would like to congratulate you for purchasing this Hoover iron and to thank you for the confidence you have in Hoover brand.

This appliance has been manufactured with great care, respecting all of our quality criteria and has been tested several times. We hope its use will fulfil your expectations. We are strongly convinced that it will make your ironing much faster and better.

Before using your new Hoover appliance, please read carefully this user's manual. If you need further information or if you encounter any trouble which are not noticed in this manual, please contact the after-sales service or your standard dealer.

## Important Safety Instructions


Read this user manual carefully before you first use and save it for future reference.

**This appliance can be used by children aged from 8 years and above and persons with reduced physical, sensory or mental capabilities or lack of experience and knowledge if they have been given supervision or instruction concerning use of the appliance in a safe way and understand the hazards involved. Children shall not play with the appliance. Cleaning and user maintenance shall not be made by children without supervision.**

## Important Safety Instructions

- This product has been designed for domestic use only. In case of any commercial use, inappropriate use or failure to comply with the instructions, the manufacturer is not responsible and the guarantee will not apply.
- Before connecting your appliance, check if the mains voltage is the same as the voltage indicated on your appliance and that the power outlet is connected to the earth.
- Ensure before each use that the electric cord or any other important part is not damaged.
- Keep the iron and its cord out of reach of children less than 8 years of age when it is energized or cooling down.
- Never direct the steam towards persons or animals. Never direct the steam jet towards any other electrical or/and electronic appliances.
- The iron is not to be used if it has been dropped, if there are visible signs of damage or if it is leaking.
- If the appliance shows evidence of breakdown, malfunction, leakages. Please make sure it is checked by an authorized Service Centre to avoid any danger.
- Always make sure the appliance is switched off, unplugged and cooled down before doing any maintenance work.

## Important Safety Instructions

- The iron must not be left unattended while it is connected to the supply mains and before it has cooled down.
- Do not unplug the appliance by pulling on the cord or on the appliance.
- Never immerse the iron, the stand, the cable or the plugs in water. Never hold them under the water tap.
- The soleplate of the iron can become extremely hot and may cause burns if touched. Never touch the electric cords with the soleplate.
- If the supply cord is damaged, it must be replaced by the manufacturer, service agent or similarly qualified persons in order to avoid a hazard.
- When placing the iron on its heel, ensure that the surface on which the heel is placed is stable.
- The plug must be removed from the socket-outlet before the water reservoir is filled with water.
- The surfaces with  are liable to get hot during use.
- To have a electronic copy of the instruction manual contact the after sales service in guarantee card.
- The iron must be used and rested on a stable surface.

## Chapter 1: Preparation for Use

Place the iron on a stable and level surface, for example on the hard part of an ironing board or on a heat-resistant surface.

### Chapter 1.1 : What Kind of Water May be Used?

The Hoover iron has been designed to be used with tap water only.

There is no need to use distilled or pure distilled water.

Nevertheless, in case you live in a hard water area, you can mix 50% of distilled water with 50% of tap water.

Do not use any other kind of water or do not add any other contents to water tank as it can damage your appliance.

### Chapter 1.2 : Filling the Water Tank

Remove the mains plug from the wall socket before filling the iron.

Set the steam button to position "0" or "☒" and open the water fill cover.

Please fill your iron with normal tap water before using for the first time.

Use the water beaker supplied to fill clean tap water into water tank until "MAX" filling level.

Push the water fill cover firmly to close and dry any spilt water around the enclosure of the appliance, do not overfill.

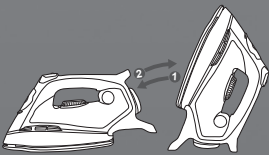
**WARNING:** Do not add vinegar, hot water, perfume, or any other kind of chemical agents or any other contents in the water tank. It could damage the steam generator and shorten its life.

## Chapter 2: Using Your Iron

Connect the appliance with the mains cord to an earthed socket and switch the power on. Stand the iron in the vertical position, turn the temperature dial to your desired setting, the iron will make an alarm sound and the power light on the handle will start flashing in a Green colour.

Move your iron in one complete motion from the vertical position to horizontal returning to the vertical position, on completion of this movement the light on the handle will illuminate Red and the soleplate will begin heating.

When the red light switches off, your appliance is ready for use.



### N.B

1) The first time you use your appliance you may find some dust and smell of fumes , this is quite normal and they will quickly disappear.

2) Your Iron is fitted with a number of features for Safe use and these can be noted by the colour of light being illuminated on the handle:

a) Green light , this illuminates when the Iron is initially switched on and requires to be moved as described above .

b) Red light , this illuminates when the Iron is in the heating mode and will turn off after it has reached the set temperature.

c) Green light , this illuminate when the iron has been in the Stationary position for more than 30 secs and the power to the heating element has been cut off until the iron movement is started again.

## Chapter 2.1: Regulating the Soleplate Temperature

Select the temperature of the soleplate by turning the dial on the iron to the desired position.

Wait a few moments until the temperature indicator is off.

It will indicate to you that the soleplate has reached the requested temperature.

While ironing, the temperature dial indicator may turn on and off, the temperature adjusts without interrupting your ironing.

### Help

*To know the best suitable temperature for each textile, check the laundry care label of the article to be ironed. Please note that during use, the temperature light goes on from time to time. It signifies that the iron is heating up to the set temperature.*

*If a fabric is made with various kinds of fibres always select the soleplate temperature to suit the most delicate one .*

*If you select a lower temperature while ironing, wait until the iron has cooled down to the set temperature before you continue ironing.*

*If the temperature is too low, some drops of water could escape from the soleplate. Please raise up the temperature above the 2 dots (••) to avoid this issue.*



## Chapter 2.2 - Ironing

### Dry Ironing

For dry ironing, turn the steam control knob to "0" or "☀". This will cut off the steam flow if water is in the water tank.

Turn the temperature control knob to select the desired fabric/temperature setting. The indicator power light will illuminate, ensure the iron is on a smooth and stable surface vertically.

After the indicator power light goes out, you can begin to iron.

### Steam Ironing

As indicated on the temperature control and the table on the rear of the iron, steam-ironing is only possible at higher ironing temperatures (between "••" to "MAX").

Ensure that there is enough water in the water tank.

Stand the iron on its end; Insert the mains plug into the wall socket.

Set the temperature control knob at the required position within the steam area.

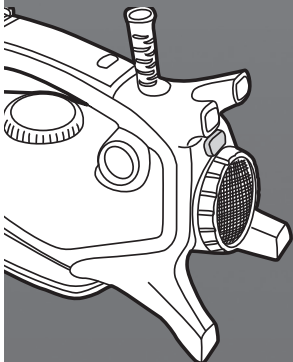
After the indicator power light has gone out and has come on again, you may start ironing.

**ATTENTION:** Never direct the steam towards people. Burns or serious injury may occur.

### Cooling Feature \*

Turn on the fan by pushing FAN SWITCH to cool the handle and user environment.

Push again to turn it off.



6 - GB

\* Certain Models Only

## Chapter 2.3 - How to Choose the Correct Soleplate Temperature

To obtain the best results, it is important to set the correct temperature of the soleplate.

Textile	Soleplate T°C
Jeans	Max
Cotton	•••
Linen	Max
Starched Clothes	•••
Velvet/Alcantara	••
Wool	••
Silk	••
Cashmere	••
Rayon	••
Polyester	•
Nylon	•
Acrylic	•
Lycra	•
Polyamid	•

### ***Help***

*When steam ironing clothes on which shiny patches may occur, we recommend you to set the soleplate temperature to a lower temperature or to iron the garment on the reverse.*

*Start with the fabrics that need to be ironed at a lower temperature (•) and finish with those that needed to be ironed at the higher temperature (•••/Max).*

## Chapter 2.4 - Shot of Steam

Ensure that there is enough water in the water tank.

When the temperature control knob is set to steam setting (between “••” to “MAX”) strong steam can be used.

Press the steam boost button, the soleplate will emit a strong flow of steam.

### **NOTE**

Only use the steam boost button when the steam iron has reached the steam or maximum temperature.

Do not press the steam boost button more than 3 times repeatedly. For optimum steam output, leave an interval of at least 5 seconds between pressing the steam boost button.

The steam boost button feature can be used with Dry or Steam ironing as desired.

**ATTENTION:** Never direct the steam towards people. Burns or serious injury may occur.



## Chapter 2.5 - Spraying

Ensure there is enough water in the water tank.

Press the spray boost button to produce a fine spray of water from the nozzle and continue ironing.

**NOTE:** Do not spray silk.

## Chapter 2.6 - Vertical Shot Of Steam

When the temperature control knob is set to a steam setting (between “●●” to “MAX”) vertical steam can be used.

Simply hold the iron vertically, positioned in front with a slight distance from the item to be steamed, and press the steam boost button.

**ATTENTION:** Never direct the steam towards people. Burns or serious injury may occur.

**NOTE:** This is especially useful for getting wrinkles out of hanging clothes, curtains, wall hangings etc.

## Chapter 2.7 - Automatic Anti-Calc Function

Your iron contains an anti-calc cartridge to reduce scale deposits. This considerably prolongs the operational life of your iron.

The anti-calc cartridge is an integral part of the water tank and does not need to be replaced.

## Chapter 2.8 - Automatic Anti-Drip Function

Your iron has an anti-drip function. The iron automatically stops generating steam when the temperature is too low to prevent water from dripping out of the soleplate.

**NOTE:** When using the Steam function, your appliance may stop generating steam for several seconds, this is normal.

## Chapter 2.9 - Self-Clean Function

Use the self clean function once every two weeks. If the water in your area is very hard, the self clean function should be used more frequently.

Make sure the iron is unplugged.

Set the steam control knob to OFF position.

Fill the water tank to the maximum level.

Put the plug in the wall socket.

Select the maximum ironing temperature.

Unplug the iron when the temperature power light has gone out.

Hold the iron over the sink, press and hold the self clean button and gently shake the iron to and fro.

Release the self clean button after 5-10seconds.

Repeat the self clean process if the iron still contains a lot of impurities.

### **NOTE**

Steam and boiling water will come out of the soleplate, impurities and flakes(if any)will be flushed out.

**ATTENTION:** Keep hands and body away from hot water.

Do not push and hold the self clean button while ironing.

## Chapter 2-10 Auto Shut off Function

- a. The auto-shut-off function automatically switches off the iron if it has not been moved after 30 secs in horizontal position or after 8 mins in vertical position.
- b. The power light starts flashing to indicate that the iron has been switched off by the auto-shut-off function.
- c. To let the iron heat up again:
  1. Move your iron in one complete motion from the vertical position to horizontal returning to the vertical position
  2. if the temperature of the soleplate has dropped below the setting ironing temperature, the power light will turn on, please waiting until it goes out before you start ironing.
  3. If the power light does not turn on after you move the iron, the soleplate still has the right temperature and the iron is ready to use.

## Chapter 3: Maintenance and Cleaning

To prevent any risk of burns, all maintenance and cleaning operations should only be carried out when the unplugged appliance has cooled down for at least 2 hours.

Before cleaning, set the steam control knob to the "0" or "☒", unplug the iron from wall socket, and allow the appliance to completely cool down, and then clean with a damp cloth, do not immerse the unit into water or other liquids.

Clean and empty the water tank after every use.

If ironing clothes with high temperature, which is not recommended on the garment table, this will cause burns to your clothes and residue left on the soleplate of the unit, it is recommended that you iron over an old cloth to remove any residue from the soleplate.

After use, set the steam control knob to the "0" or "☒", disconnect the unit from mains socket, empty remaining water from water tank and then store the iron after it has been completely cooled down.

Never use scouring pads, abrasive or chemical cleaners, or solvents

## Chapter 4: Storage



Empty the water tank.

Coil the power cord on the back plate.

Put the iron in the upright position on it's heel.

Wait at least 30 minutes allowing the sole plate to cool down.

Then you can take away your appliance in order to store it safely and easily.

## Important Information

### Hoover spares and Consumables

Always replace parts with genuine Hoover spares. These are available from your local Hoover dealer or direct from Hoover. When ordering spare parts, always check your model number.

### Hoover Service

Should you require service at any time, please contact your local Hoover Service Office. Please see all the contact details below.

### Safety

Hoover believes that independent approval is the best way of demonstrating safety in design and manufacture.

**All Hoover irons have been manufactured in compliance of all safety regulations and approved by the most qualified independent approval certification bodies.**

### ISO 9001

Hoover's factories have been independently assessed for quality. Our products are made using a quality system which meets the requirements of ISO 9001

### The Environment

The symbol on this appliance indicates that this appliance may not be treated as household waste. Instead it must be handed over to the applicable collection point for the recycling of electrical and electronic equipment. Disposal must be carried out in accordance with local environmental regulations for waste disposal. For more detailed information about treatment, recovery and recycling of this appliance, please contact your local city office, your household and waste disposal service or the shop where you purchased the appliance.



**CE** This product complies with the European Directives 2006/95/EC, 2004/108/EC and 2011/65/EC.

HOOVER Limited, Pentrebach, Merthyr Tydfil, Mid Glamorgan, CF48 4TU, UK

### Your Guarantee

The guarantee conditions for this appliance are as defined by our representative in the country in which it is sold. Details regarding these conditions can be obtained from the dealer from whom the appliance was purchased. The bill of sale or receipt must be produced when making any claim under the terms of this guarantee.

Subject to change without notice.



GENERATION FUTURE<sup>®</sup>

Printed in P.R.C.  
PART No. 48014702/03