

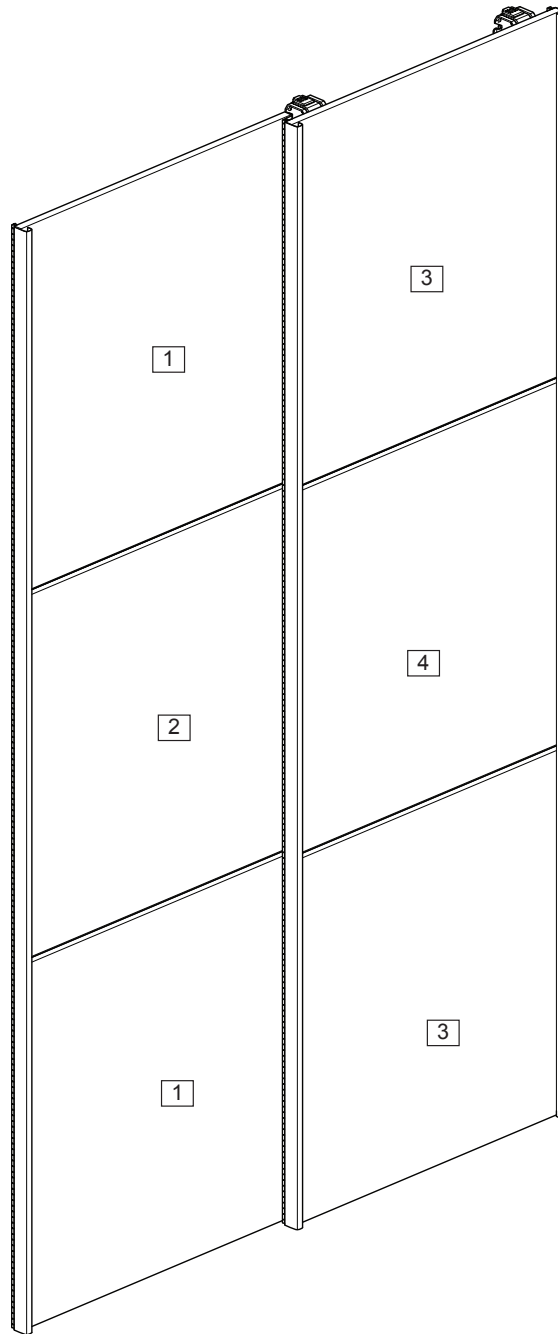
Bergen 180 Gloss/Mirror doors

Assembly Instructions Please keep for future reference

412/7305

417/9463

Gloss/Mirror doors



Dimensions

Width - 180cm
Depth - 6.7cm
Height - 195.2cm

**Tip : To prevent damage,
we recommend that you
build your unit on the
carton(s) it was packed in.**

412/7305 WHITE GLOSS- MIRROR
417/9463 CASH GLOSS- MIRROR

Important – Please read these instructions fully before starting assembly

If you need help or have damaged or missing parts, please visit: www.argos-support.co.uk
or email: Help@ClickSpares.co.uk (quoting your original order number)
Alternatively, call the Spares Helpline on: **0370 112 1928**
For any other queries please contact the Customer Helpline on: **0345 640 2020**



Safety and Care Advice

Important – Please read these instructions fully before starting assembly

- Check you have all the components and tools listed on pages 2 and 3.
- Remove all fittings from the plastic bags and separate them into their groups.
- Keep children and animals away from the work area, small parts could choke if swallowed.
- Make sure you have enough space to layout the parts before starting.

- Do not stand or put weight on the product, this could cause damage.
- Assemble the item as close to its final position (in the same room) as possible.
- Assemble on a soft level surface to avoid damaging the unit or your floor.
- Parts of the assembly will be easier with 2 people.



• To reduce the likelihood of damaging your product please ensure that your power drill is set on a low torque setting.

- Dispose of all packaging carefully and responsibly.

Care and maintenance

- Only clean using a damp cloth and mild detergent, do not use bleach or abrasive cleaners.
- From time to time check that there are no loose screws on this unit.
- This product should not be discarded with household waste. Take to your local authority waste disposal centre.

Handy Hints

- Assemble all parts and bolts loosely during assembly, only once the product is complete should you fully tighten the bolts
- Regularly check and ensure that all bolts and fittings are tightened properly.

Note: if required the next page can be cut out and used as reference throughout the assembly. Keep this page with these instructions for future reference.

Components - Panels

For damaged or missing parts, please visit:
www.argos-support.co.uk or email: Help@ClickSpares.co.uk

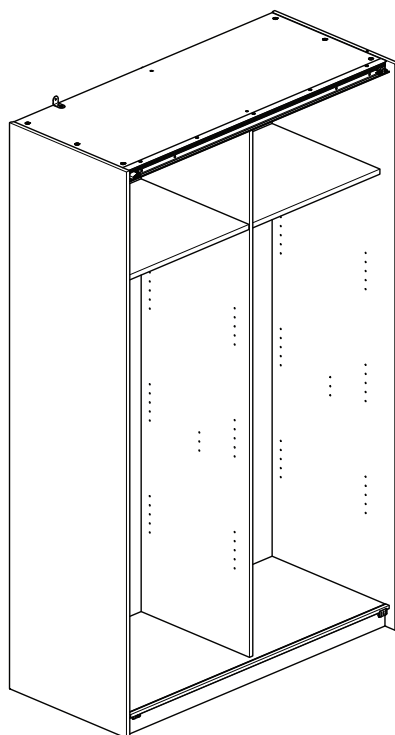
Please check you have all the panels listed below

Cabinet supplied separately

249/4834

248/6921

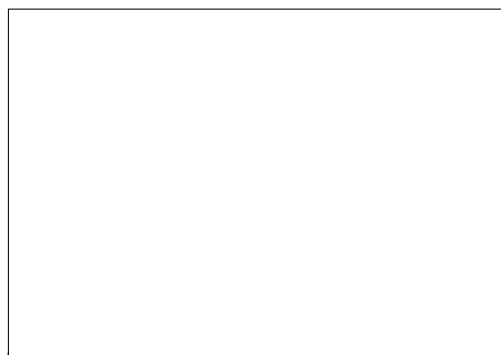
226/8730



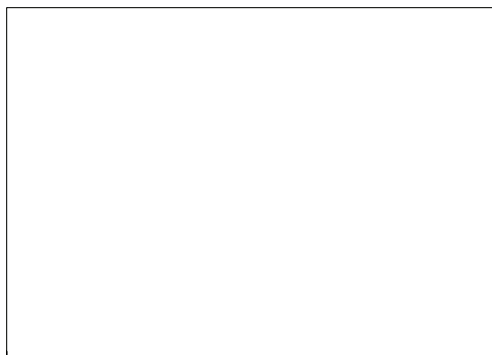
1 Segment x2
(91.5 x 65cm)
P3355



3 Mirror-Segment x2
(91.5 x 65cm)
PS3335



2 Segment middle x1
(91.5 x 65.1cm)
P3356



4 Mirror-Segment middle x1
(91.5 x 65.1cm)
PS3274

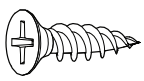
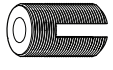
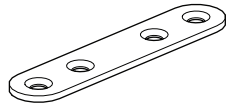
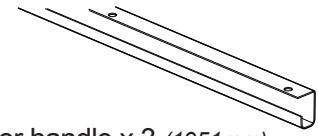
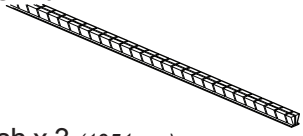
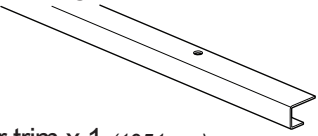
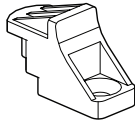


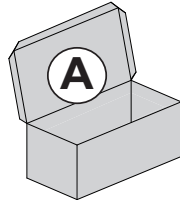
Components - Fittings


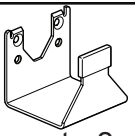
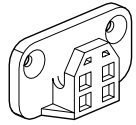
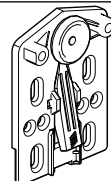
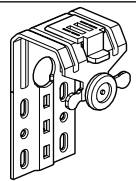
For damaged or missing parts, please visit:
www.argos-support.co.uk or email: Help@ClickSpares.co.uk

Please check you have all the fittings listed below

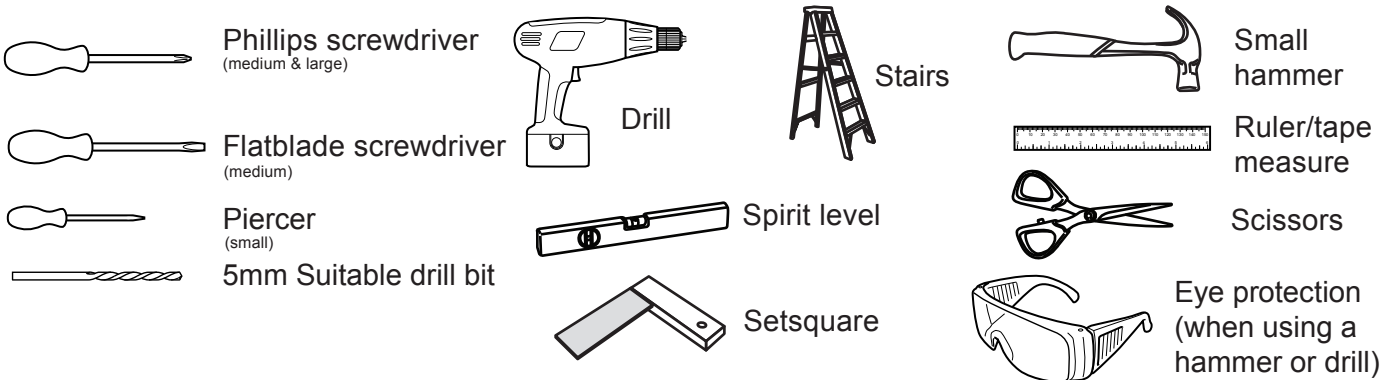
Note: The quantities below are the correct amount to complete the assembly. In some cases more fittings may be supplied than are required.

<p>D <small>FK1309</small></p>  <p>Screw x 72 (4x12.5mm)</p>	<p>E <small>FK1082</small></p>  <p>Plug, Nylon x 32 (5x9mm)</p>	<p>O <small>FK1236</small></p>  <p>Connecting plate x 8</p>
<p>S <small>PM1652B</small></p>  <p>Door handle x 3 (1951mm)</p>	<p>T <small>PM1652C</small></p>  <p>Brush x 3 (1951mm)</p>	<p>U <small>PM1652D</small></p>  <p>Door trim x 1 (1951mm)</p>
		<p>AE <small>ZF9997F</small></p>  <p>Spacer x 1</p>



<p>AC <small>ZF9997L</small></p>  <p>Screw x 33 (4x15mm)</p>			<p>AI <small>ZF9997C</small></p>  <p>Front guide part x 2</p>
<p>AJ <small>ZF9998D</small></p>  <p>Back guide part x 2</p>	<p>AK <small>ZF9997B</small></p>  <p>Sliding door connecting plate x 2</p>	<p>AL <small>ZF9997A</small></p>  <p>Sliding door connecting bracket x 2</p>	

Tools required



Ruler - Use this ruler to help correctly identify the screws

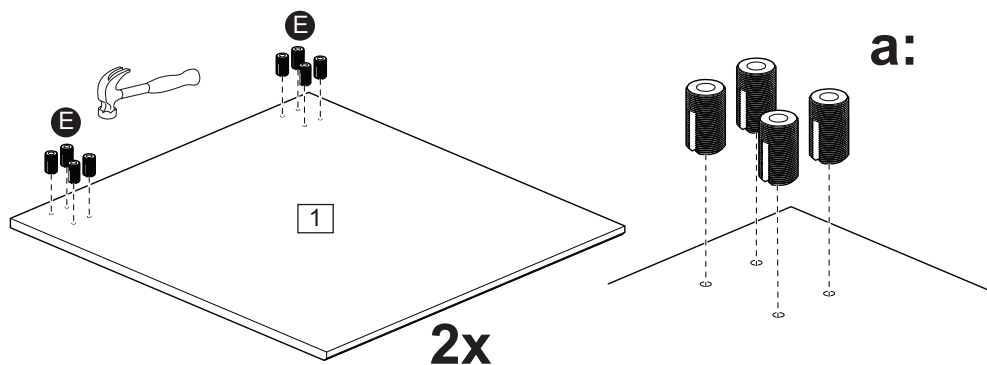


Assembly Instructions

Step 2

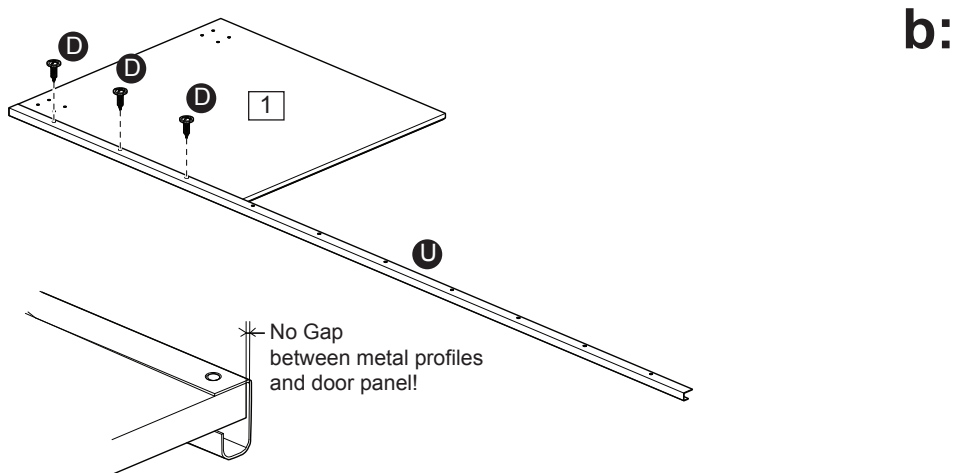
3 Segment slide door left

a: Put 8x nylon plug **E** into the segment **1**.
Use a small hammer.
Repeat this step.

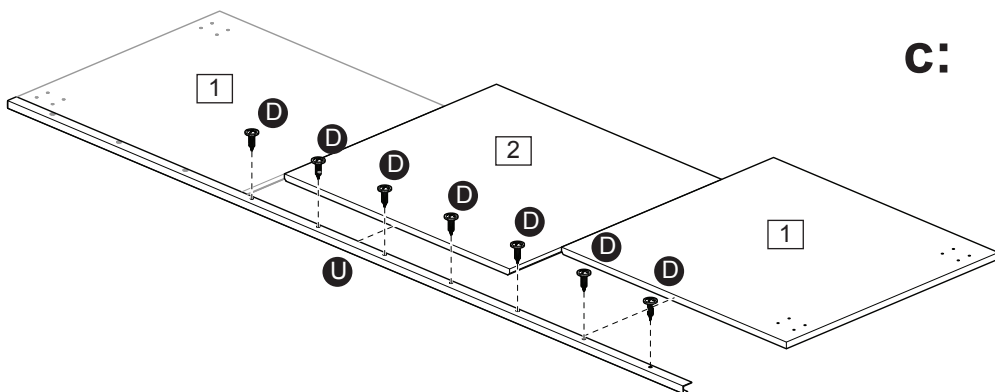


b: Mount door trim **U** with 3x screws **D** on segment **1**.

Note: there should be no gap between doorsegment **1** and door trim **U**.

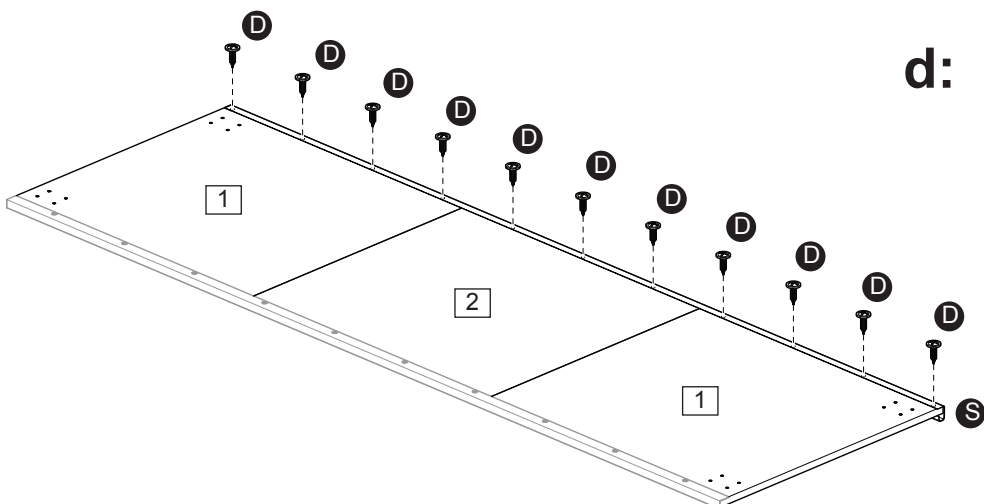


c: Mount segment middle **2** with 3x screws **D** on door trim **U**.
Mount segment **1** with 4x screws **D** on door trim **U**.



d: Mount door handle **S** on segment **1** with 4x screws **D** and on middle segment **2** with 3x screws **D**.

Note: there should be no gap between doorsegment **1** and door handle **S**.



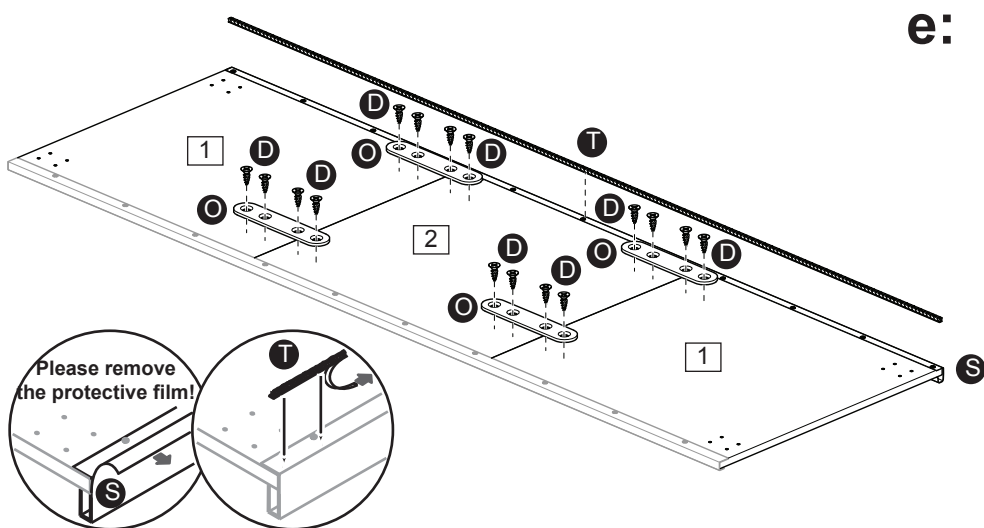
Assembly Instructions

Step 2

3 Segment slide door left

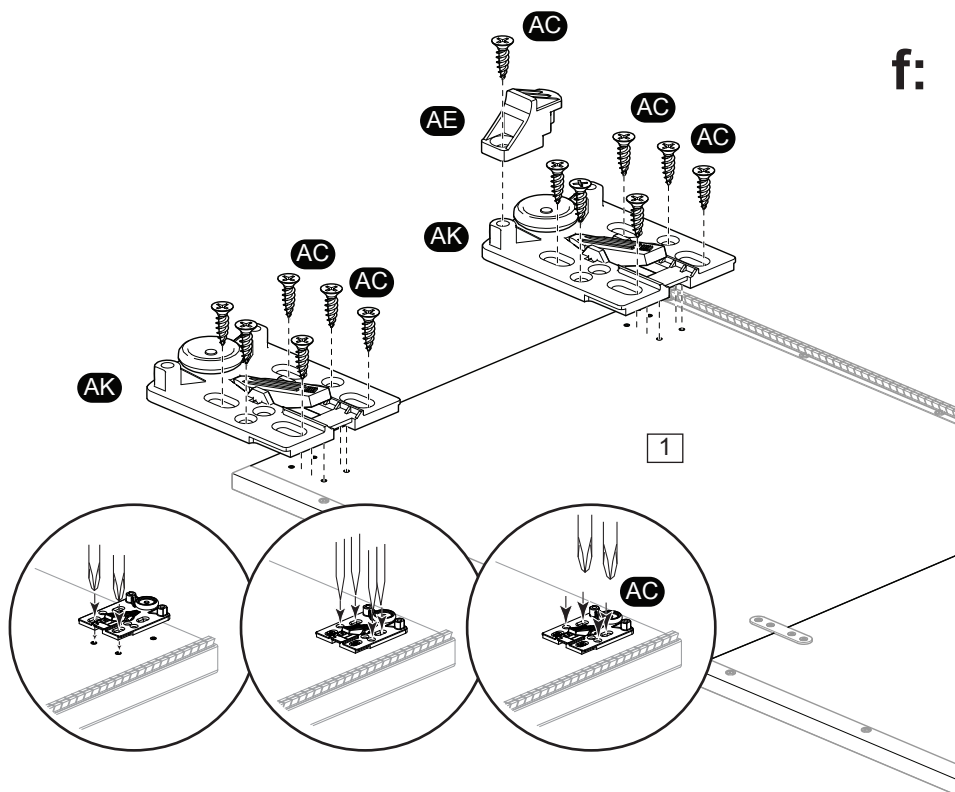
e: Mount 4x connecting plate **O**, each with 2x screws **D** on segment **1** and 2x screws **D** on middle segment **2**.

Remove protective film from door handle **S**. Stick 1x brush **T** onto door handle **S** by partially removing the cover from adhesion as brush is applied.



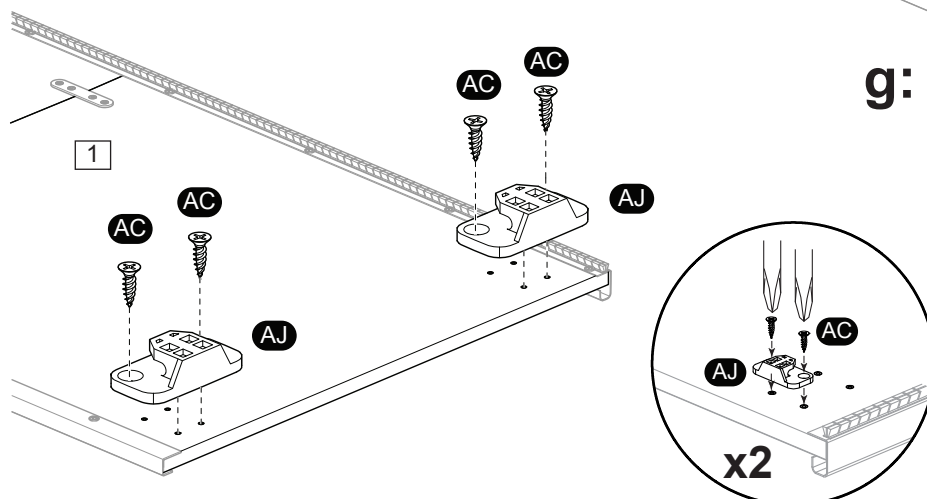
f: Upside.

Mount 2x Sliding door connecting plate **AK** squarely by using the guidemarks in the plate **AK**, each with 6x screws **AC** on segment **1**. Attach 1x spacer **AE** with 1x screw **AC** on the brush side sliding door connecting plate **AK**.



g: Underside.

Mount 2x back guide part **AJ**, each with 2x screws **AC** on segment **1**.



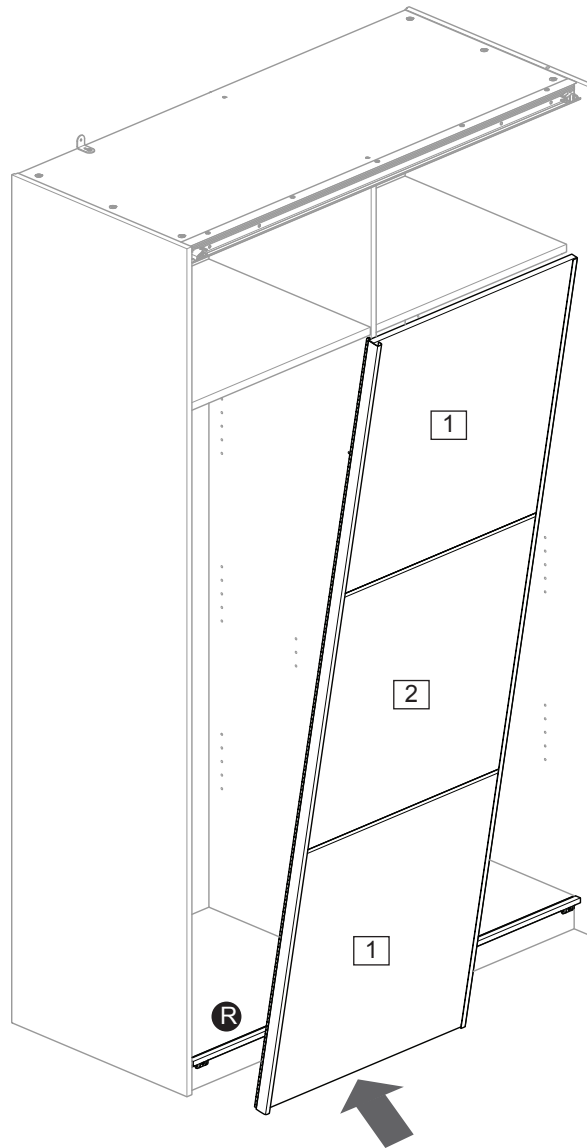
Assembly Instructions

Step 3

Place left slide door

2 People are required for step 3a and 3b.

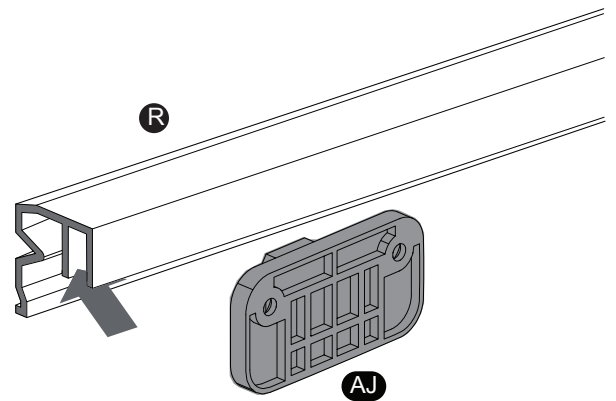
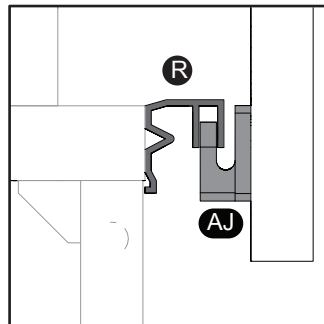
a: Hook the 2x back guide part **AJ** into the plastic guide rail **R**.



a:

a: Detail.

The hook of the back guide part **AJ** should be in the front guide of the plastic guide rail **R**.

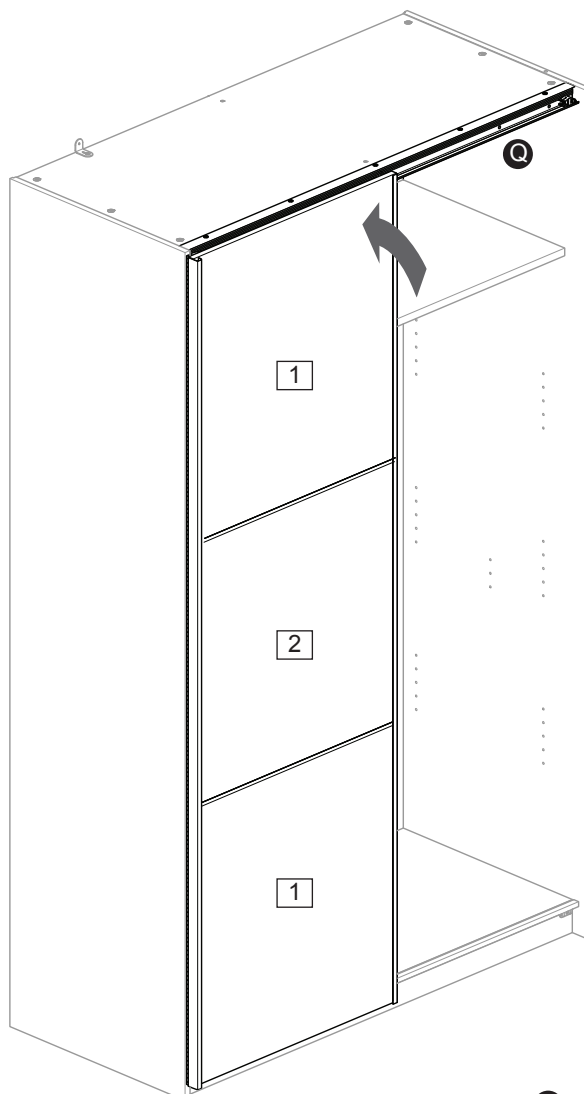


Assembly Instructions

Step 3

Place left slide door

b: Hook Sliding door connecting plate **AK** on metal guide rail **Q**.

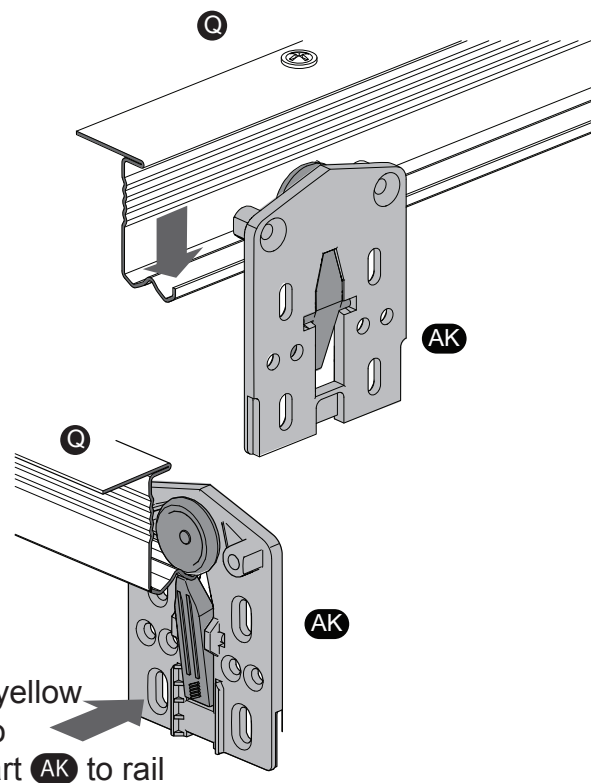
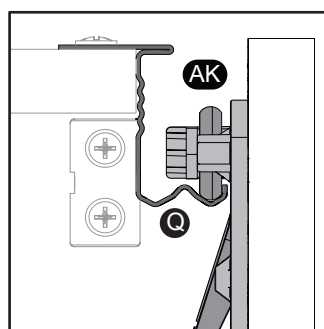


b:

b: Detail.

The wheel of the sliding door connecting plate **AK** should be in the front guide of the metal guide rail **Q**.

To lock the door, lock the Sliding door connecting plate **AK** on the guide rail **Q** with the locking pawl.

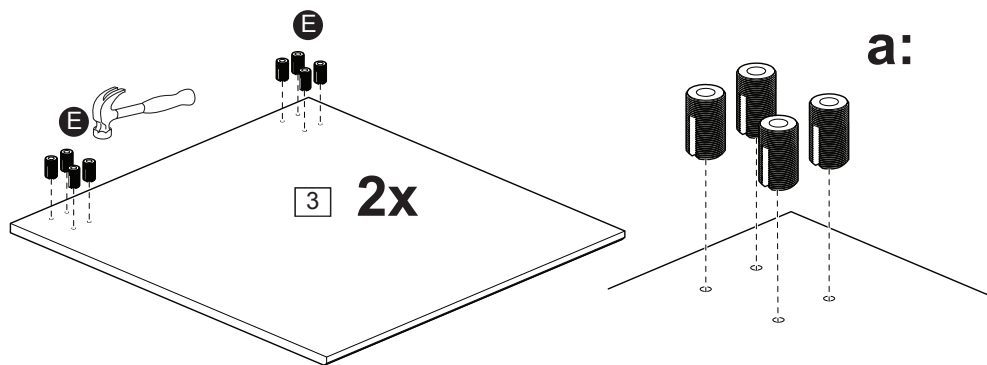


Assembly Instructions

Step 4

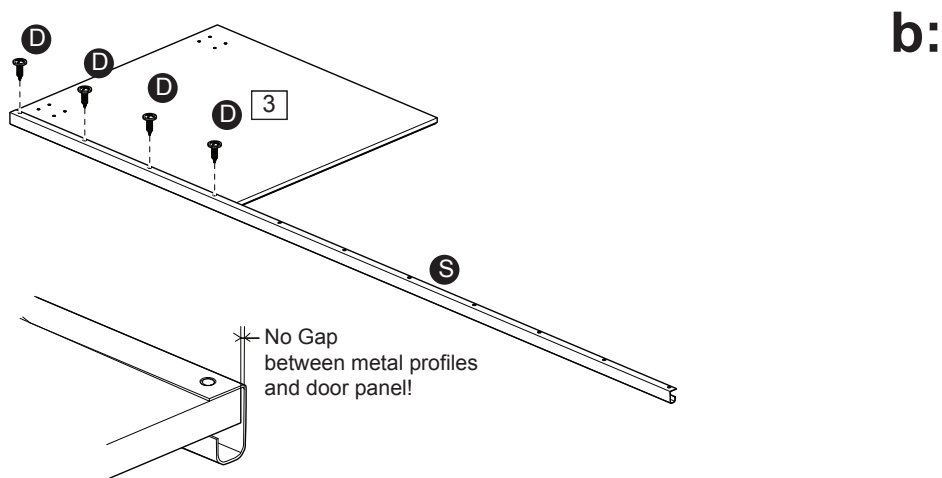
3 Segment slide door right

a: Put 8x nylon plug **E** into the segment **3**.
Use a small hammer.
Repeat this step.

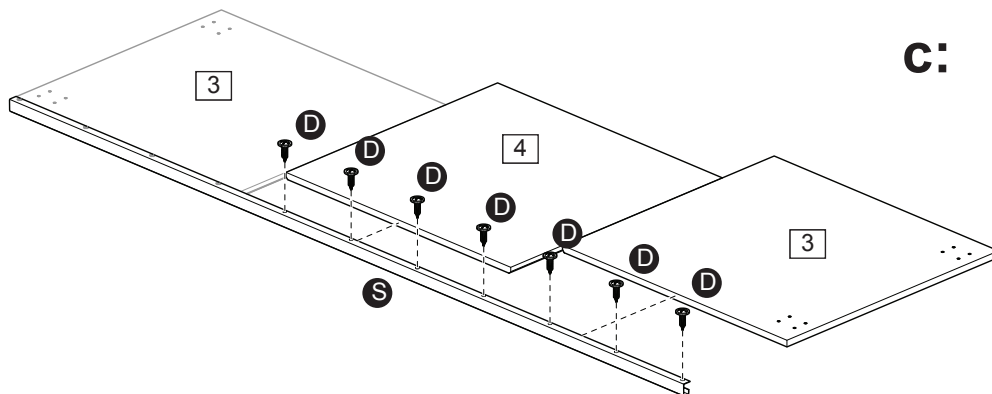


b: Mount door handle **S** with 4x screws **D** on segment **3**.

Note: there should be no gap between doorsegment **3** and door handle **S**.

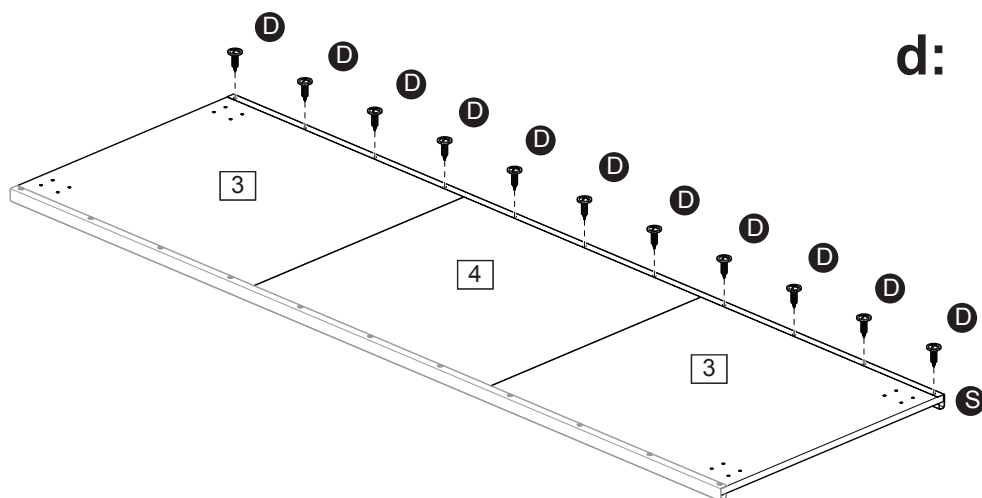


c: Mount segment middle **4** with 3x screws **D** on door handle **S**.
Mount segment **3** with 4x screws **D** on door handle **S**.



d: Mount door handle **S** on segment **3** with 4x screws **D** and on middle segment **4** with 3x screws **D**.

Note: there should be no gap between doorsegment **3** and door handle **S**.



Assembly Instructions

Step 4

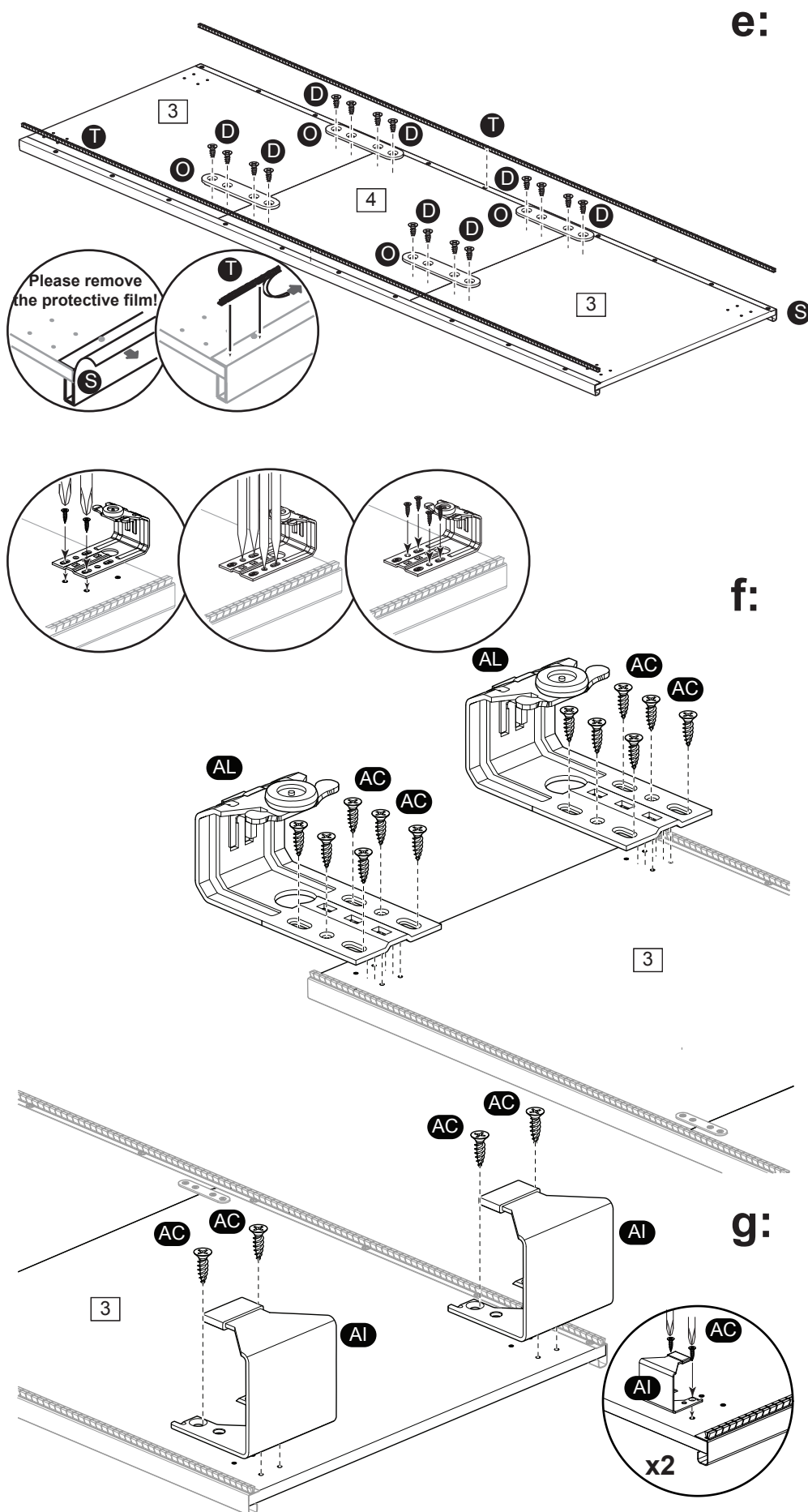
3 Segment slide door right

e: Mount 4x connecting plate **O**, each with 2x screws **D** on segment **3** and 2x screws **D** on middle segment **4**.

Remove protective film from door handle **S**. Stick 2x brush **T** onto 2x door handle **S** by partially remove the cover from adhease as brush is applied.

f: Upside. Mount 2x sliding door connecting bracket **AL** squarely by using the guidemarks in the plate **AL**, each with 6x screws **AC** on segment **3**.

g: Underside. Mount 2x front guide part **AI**, each with 2x screws **AC** on segment **3**.



Assembly Instructions

Step 5

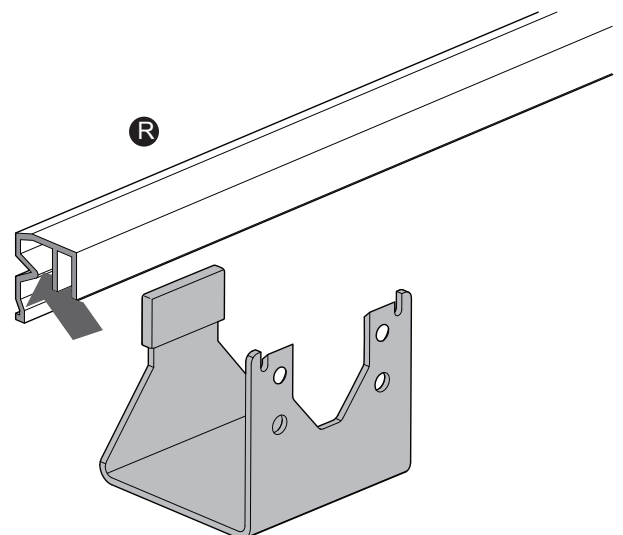
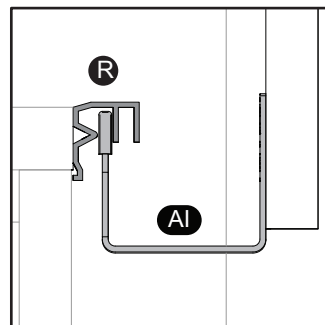
Place right slide door

a: Hook the 2x front guide part **AI** into the plastic guide rail **R**.



a:

a: Detail.
The hook of the front guide part **AI** should be in the rear guide of the plastic guide rail **R**.



Assembly Instructions

Step 5

Place right slide door

b: Hook the sliding door connecting bracket **AL** on metal guide rail **Q**.

b: Detail.

The wheel of the sliding door connecting bracket **AL** should be in the rear guide of the metal guide rail **Q**.

To lock the door, lock the sliding door connecting bracket **AL** on the guide rail **Q** with the locking pawl.

a:

