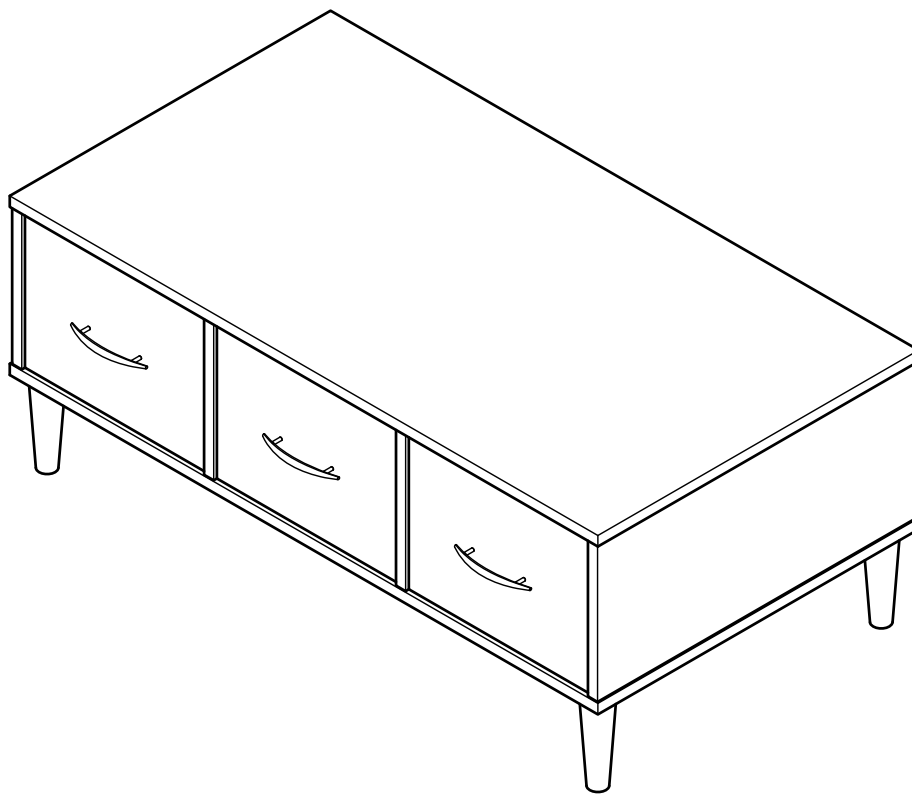


Hygena Birkdale Coffee Table

Assembly Instructions - Please keep for future reference

412/4779

hygena



Dimensions

Width - 110cm

Depth - 60cm

Height - 44cm

Important - Please read these instructions fully before starting assembly

If you need help or have damaged or missing parts, call the **Customer Helpline: 03456 400800**



Safety and Care Advice

Important - Please read these instructions fully before starting assembly

- Check you have all the components and tools listed on the following pages.
- Remove all fittings from the plastic bags and separate them into their groups.
- Keep children and animals away from the work area, small parts could choke if swallowed.
- Make sure you have enough space to layout the parts before starting.

- During assembly do not stand or put weight on the product, this could cause damage.
- Assemble the item as close to its final position (in the same room) as possible.
- Assemble on a soft level surface to avoid damaging the unit or your floor.
- Parts of the assembly will be easier with 2 people.



- To reduce the likelihood of damaging your product please ensure that your power drill is set on a low torque setting.

Care and maintenance

- Only clean using a damp cloth and mild detergent, do not use bleach or abrasive cleaners.
- From time to time check that there are no loose screws on this unit.
- This product should not be discarded with household waste. Take to your local authority waste disposal centre.

Handy Hints

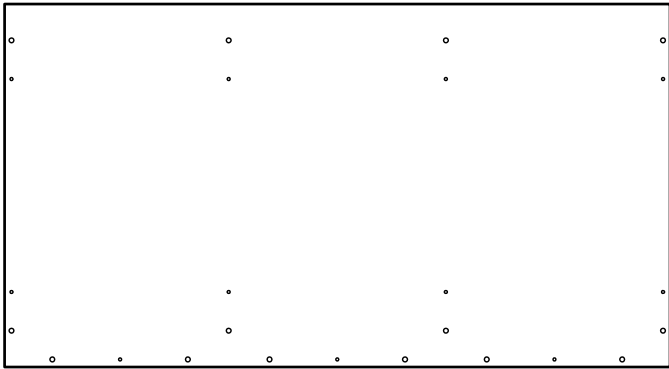
- Regularly check and ensure that all bolts and fittings are tightend properly.

Note: If required the next page can be cut out and used as reference throughout the assembly. Keep this page with these instructions for future reference.

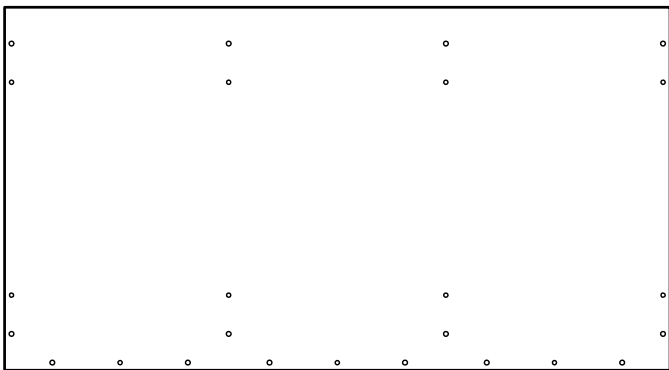
Components - Panels

If you have damaged or missing components, call the **Customer Helpline: 03456 400800**

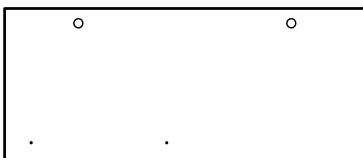
Please check you have all the panels listed below



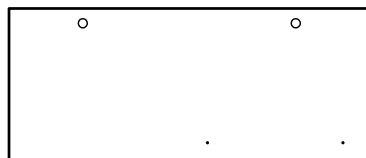
1 Top panel (110 x 60.cm)



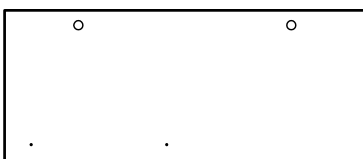
2 Bottom panel (110 x 60.cm)



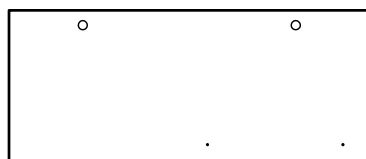
3 Left side panel (25.4x 59.6cm)



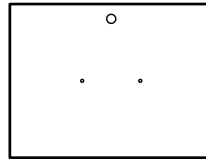
4 Right side panel (25.4x 59.6cm)



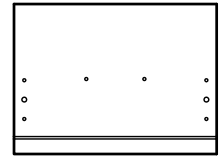
5 Left middle side panel (25.4x 59.6cm)



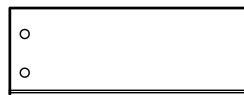
6 Right middle side panel (25.4x 59.6cm)



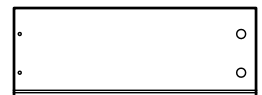
7 Back x3 (33.5x 25.4cm)



8 Drawer front x3 (33.5x 24.8cm)



9 Drawer left side x3 (40 x 15cm)



10 Drawer right side x3 (40 x 15cm)



11 Drawer back x3 (28.6 x 15cm)



12 Drawer bottom x3 (29.6 x 39.3cm)



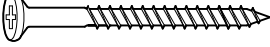
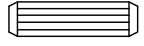
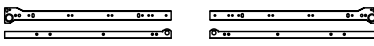





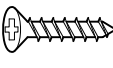


Components - Fittings

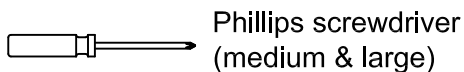
If you have damaged or missing components, call the **Customer Helpline: 03456 400800**

Please check you have all the fittings listed below

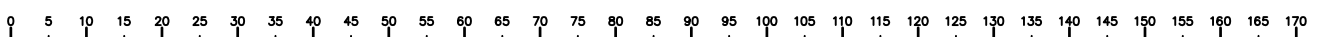
Note: The quantities below are the correct amount to complete the assembly. In some cases more fittings may be supplied than are required.

A  Locking pin x 23	B  Locking nut x 23	C  57mm Screw x 11
D  30mm Dowel x 34	E  Drawer runner x 3 set	F  12mm Screw x 24
G  Handle x 6	H  Handle screw x 12	I  Solid wood legs x 6
J  38mm bolt x 6	K  31mm Screw x 12	

Tools required



Ruler - Use this ruler to help correctly identify the screws



The screws length is measured from the head to the point (30mm screw shown).

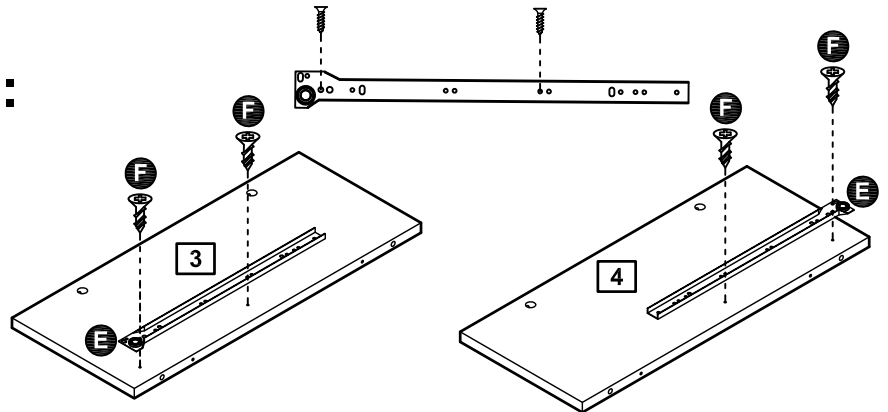
Assembly Instructions

Step 1

Fitting drawer runner

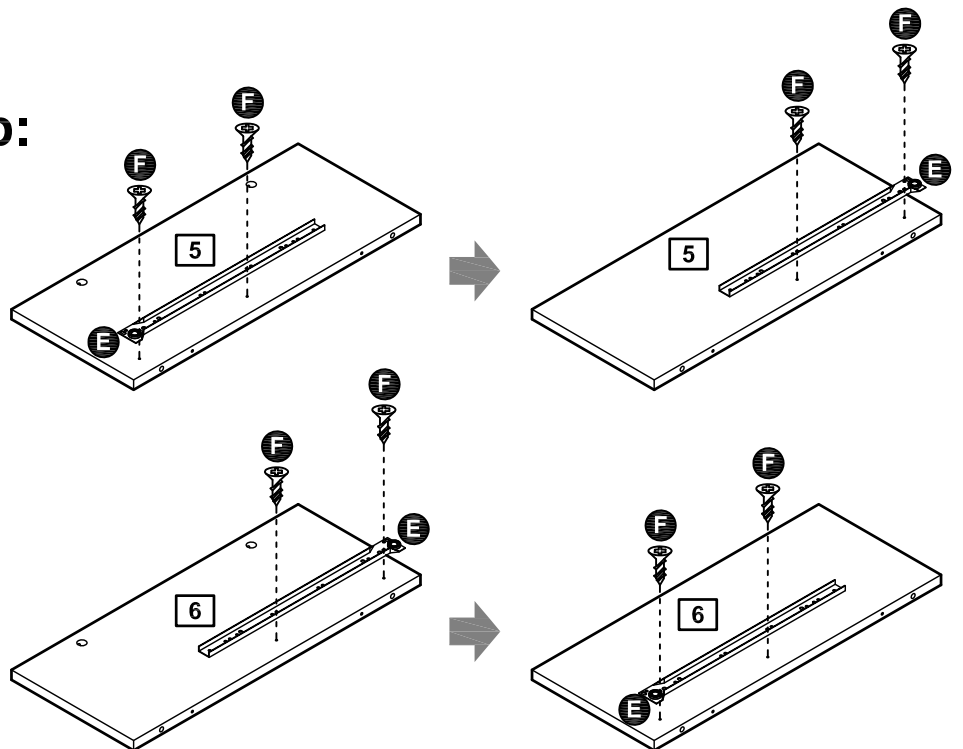
a: Use screws **F** to fix drawer runners **E** onto the left side **3** and right side **4**.

a:



b: Use screws **F** to fix drawer runners **E** onto the left middle side **5** and right middle side **6**.

b:

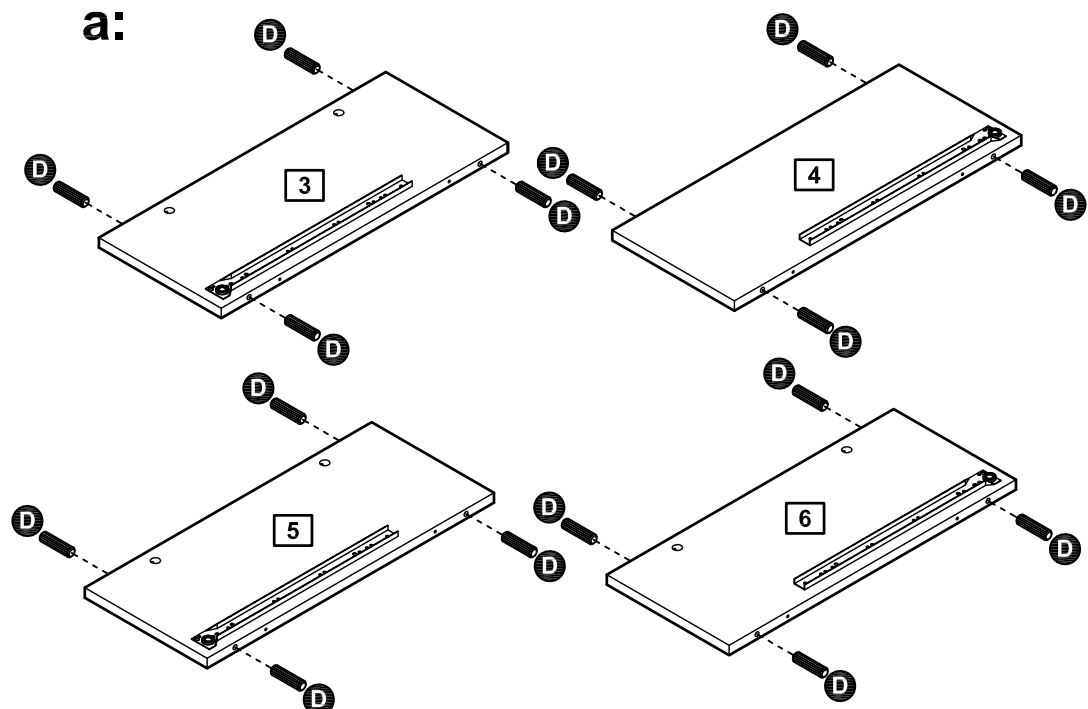


Step 2

Fitting bottom panel

a: Insert dowels **D** into left side **3**, right side **4**, left middle side **5** and right middle side **6**.

a:

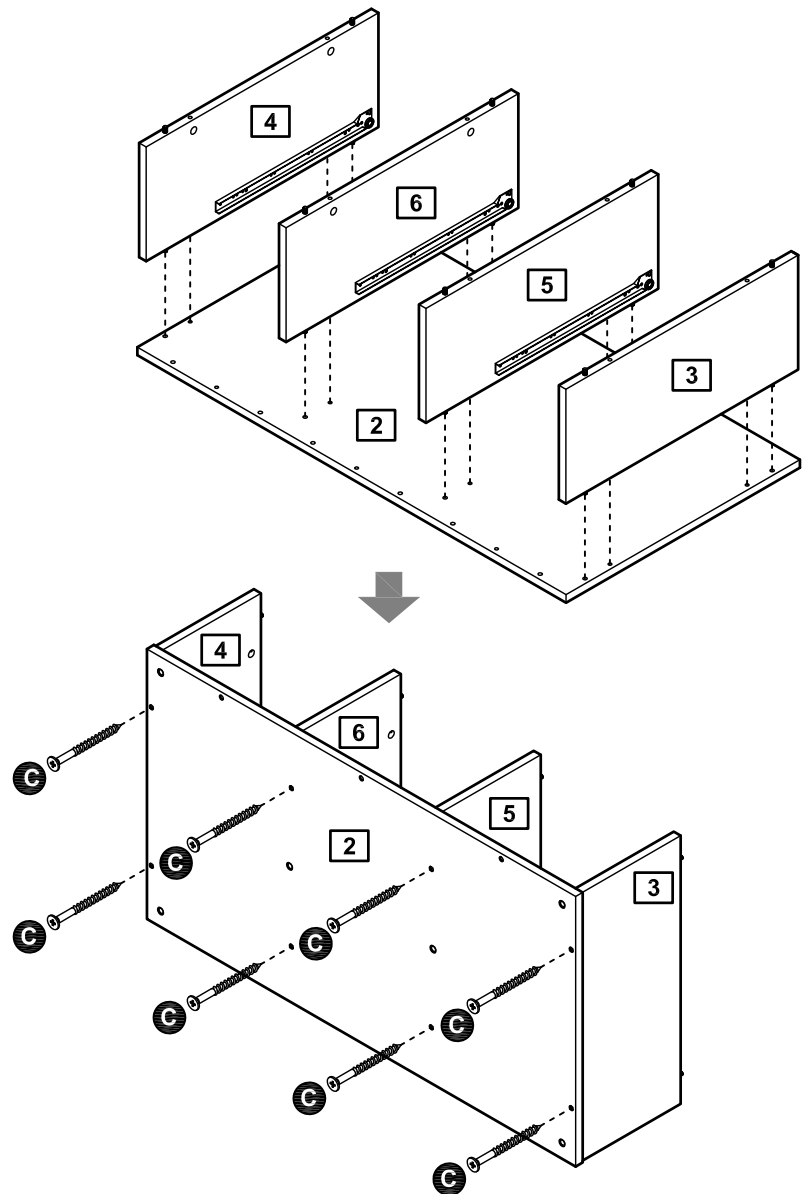


Assembly Instructions

Step 2 - continued

b: Attach the bottom panel **2** to the side panels with screws **C**, using a screwdriver to tighten.

b:

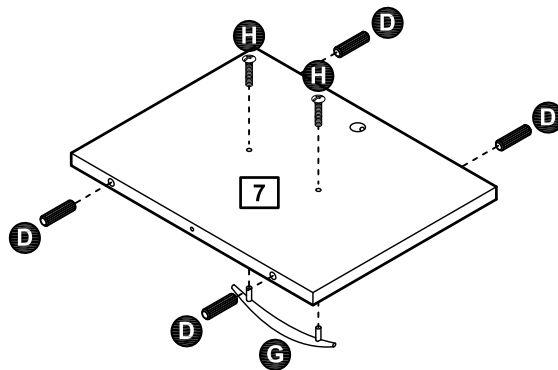


C:

Step 3

Fitting back

a: Insert dowels **D** into back **7**, then use handle screws **H** to fix the handle **G** onto back **7**.

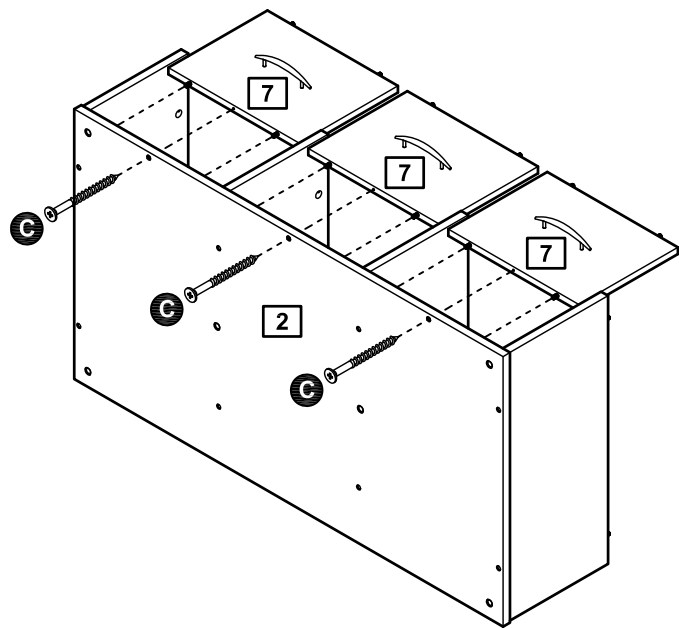


Assembly Instructions

Step 3 - continued

b: Attach panel **7** to the bottom panel **2** using screws **G**.

b:

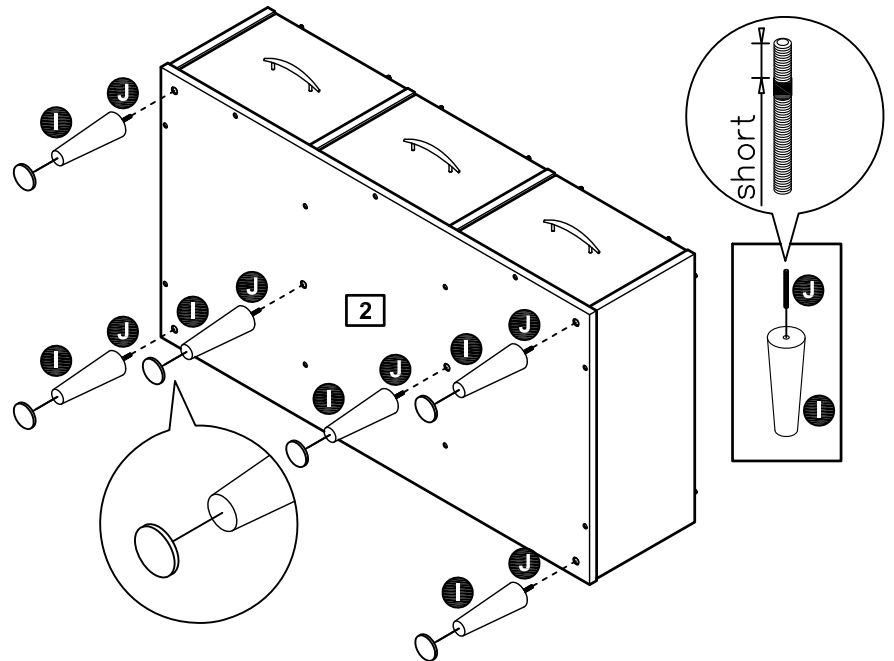


Step 4

Fitting solid wood legs

a: Fix solid wood legs **I** to the bottom panel **2** using bolts **J**.

a:

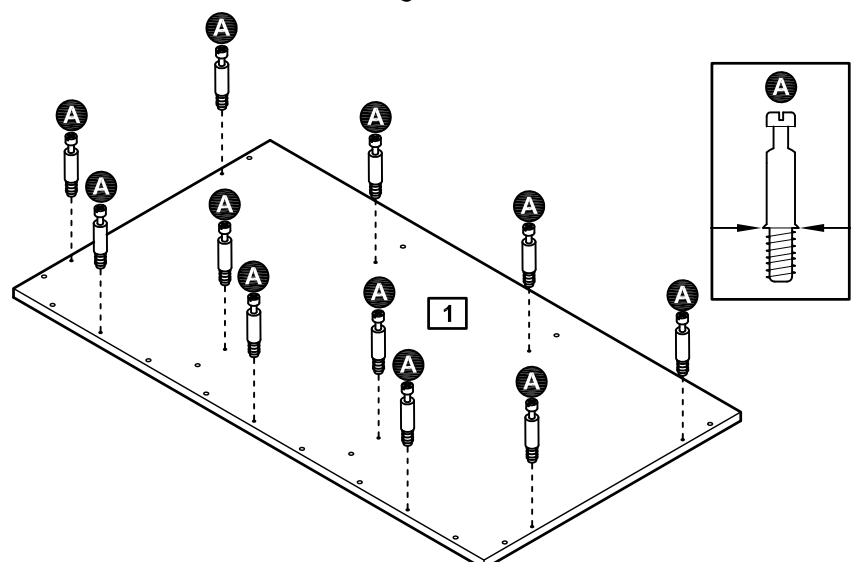


Step 5

Fitting the top panel

a: Screw locking pins **A** into top panel **1**. Insert locking pins as far as shown.

a:



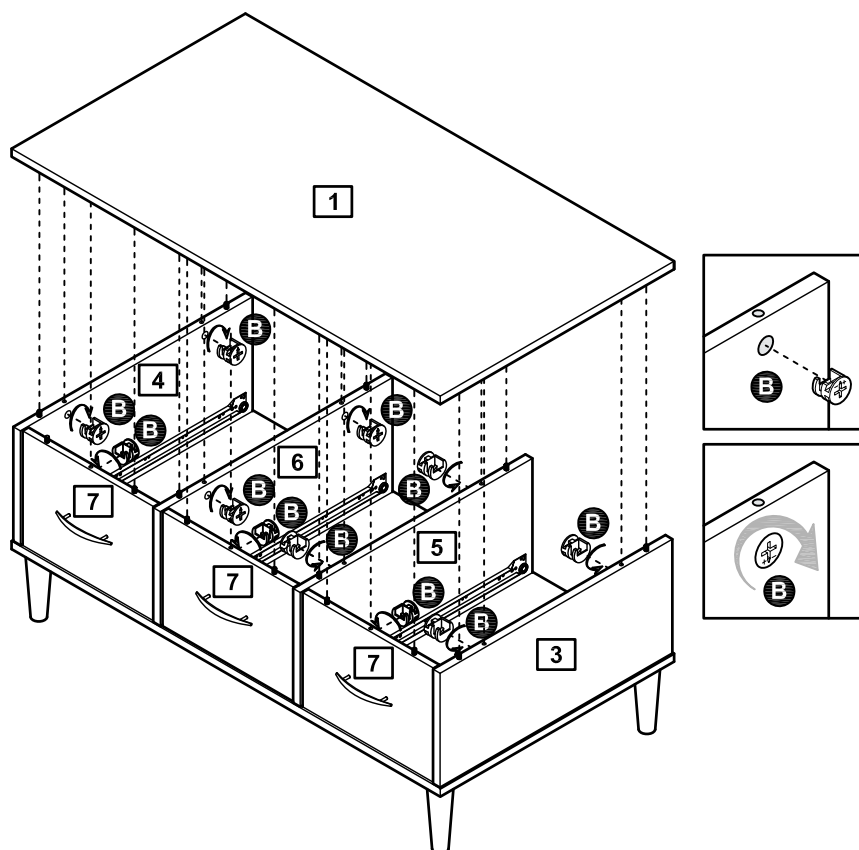
Assembly Instructions

Step 5 - continued

b: Carefully place the table top panel **1** onto the unit.

Insert locking nuts **B** into left side **3**, right side **4**, middle left side **5** and middle right side **6**, then use a screwdriver to turn locking nuts **B** clockwise to lock.

b:



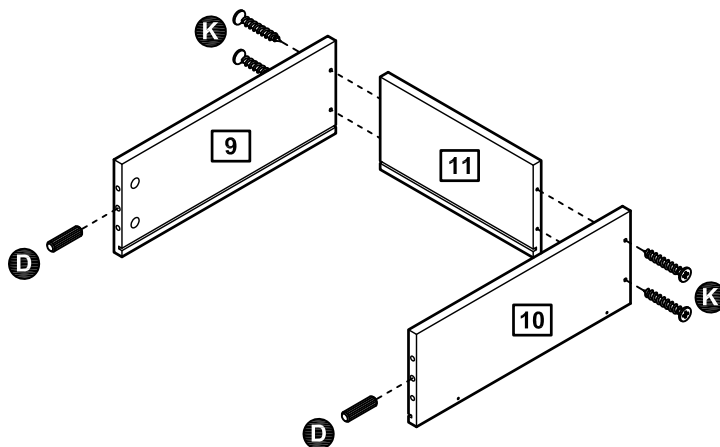
Step 6

Fitting the drawer

a: Use screws **K** to fix drawer left **9** and drawer right **10** onto the drawer back **11** together.

Insert dowels **D** into left side **9** and right side **10**.

a:

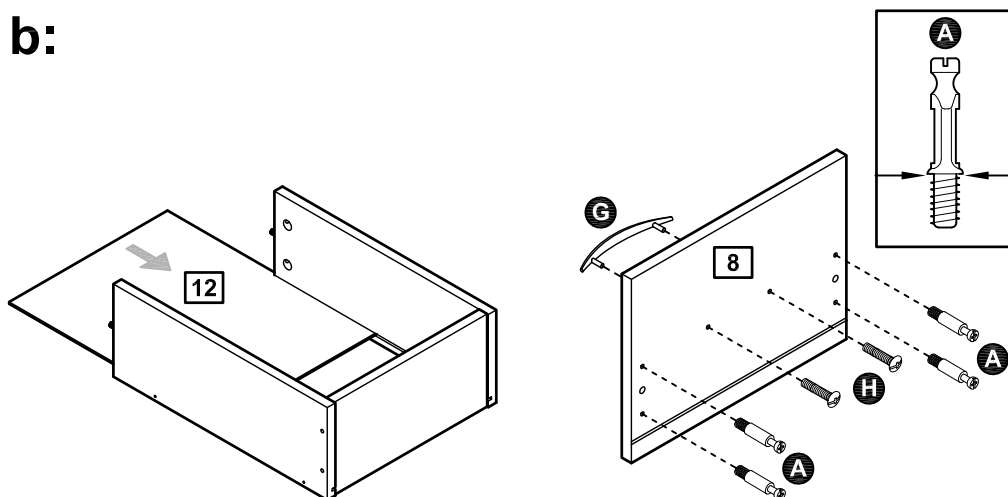


b: Slide drawer bottom **12** into the unit.

Screw the locking pins **A** into the drawer front **8**. Insert locking pins as far as shown.

Use handle screws **H** to fix the handle **G** onto the drawer front **8**.

b:

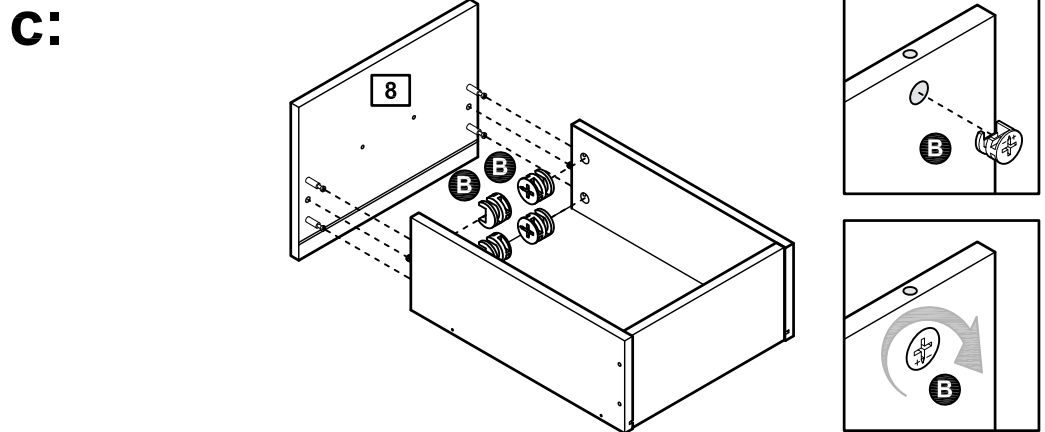


Assembly Instructions

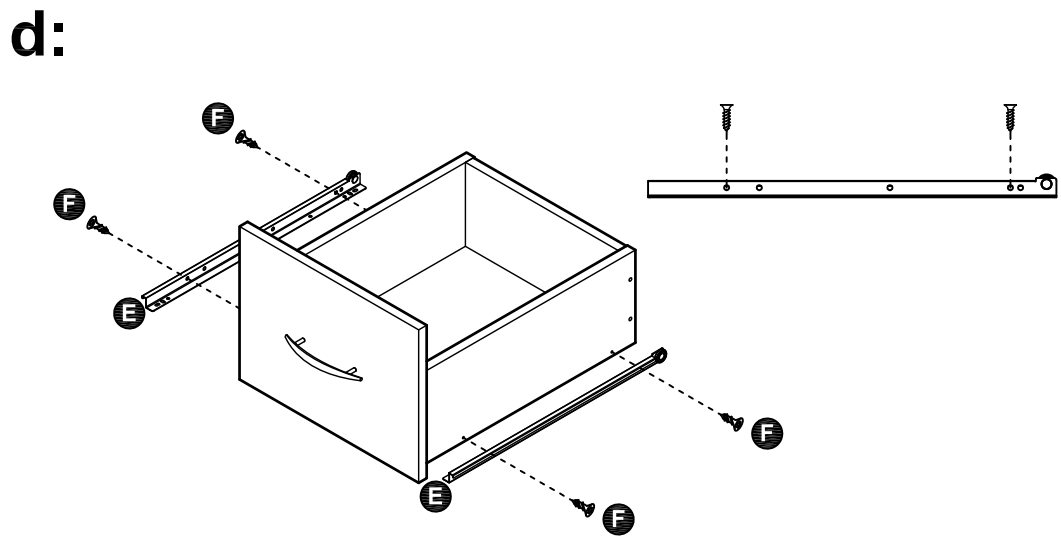
Step 6 - continued

c: Attach drawer front **8** onto the unit.

Insert locking nuts **B** into the unit, then use a screwdriver to turn locking nuts clockwise to lock.



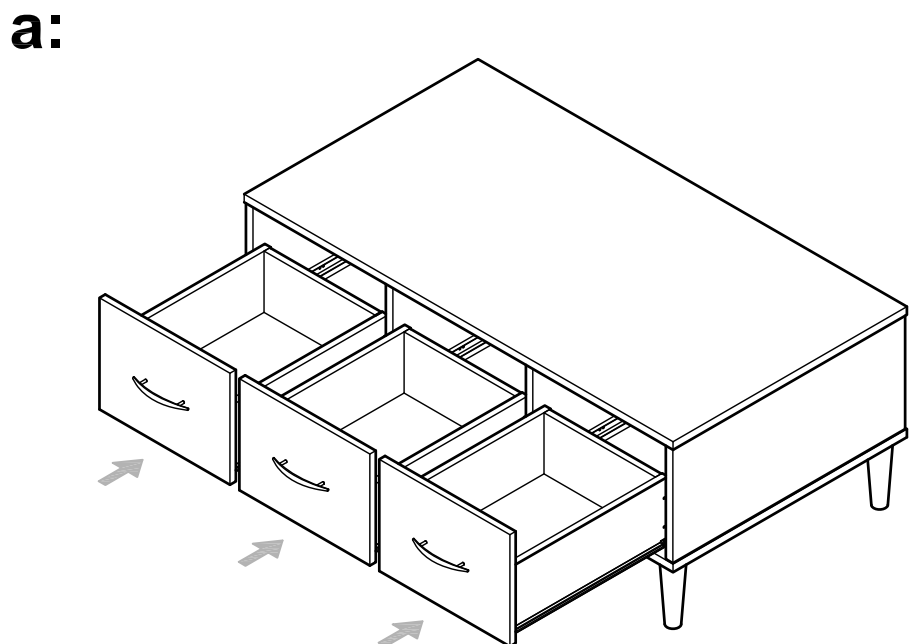
d: Attach drawer runners **E** and the drawer unit together with screws **F**.



Step 6

Finish the unit

a: Slide the drawer into the unit.



Assembly is complete.

If you need help or have damaged or missing parts, call the **Customer Helpline: 03456 400800**