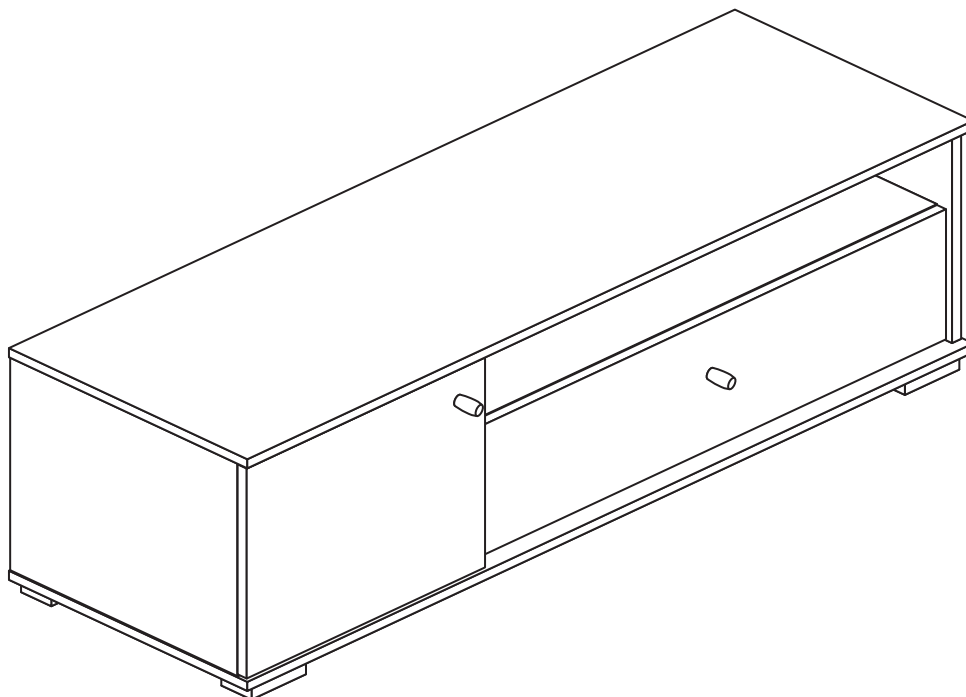


Montana - 1 Drawer 1 Door TV Unit

Assembly Instructions - Please keep for future reference

412/4621

418/5055



Dimensions

Width - 120cm

Depth - 40cm

Height - 41cm



**MADE IN
BRITAIN**

Important - Please read these instructions fully before starting assembly

If you need help or have damaged or missing parts, call the **Customer Helpline: 03456 400800**



Safety and Care Advice

Important - Please read these instructions fully before starting assembly

- **Warning:** This unit weighs approximately 25kgs. Please lift with care.
- Check you have all the components and tools listed on pages 2 and 3.
- Remove all fittings from the plastic bags and separate them into their groups.
- Keep children and animals away from the work area, small parts could choke if swallowed.
- Parts of the assembly will be easier with 2 people.

- Make sure you have enough space to layout the parts before starting.
- Do not stand or put weight on the product, this could cause damage.
- Assemble the item as close to its final position (in the same room) as possible.
- Assemble on a soft level surface to avoid damaging the unit or your floor (use opened out unit carton).



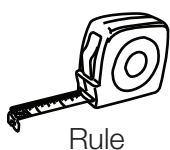
- We do not recommend the use of power drill/drivers **for inserting screws**, as this could damage the unit. Only use hand screwdrivers.

- **Safety note:** If there is any chance of this unit being pulled over by children etc. it is recommended that the unit is secured to a wall using suitable fixings (not supplied).
- Dispose of all packaging carefully and responsibly.

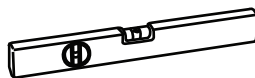
Care and maintenance

- Only clean using a damp cloth and mild detergent, do not use bleach or abrasive cleaners.
- From time to time check that there are no loose screws on this unit.
- This product should not be discarded with household waste. Take to your local authority waste disposal centre.

Tools required



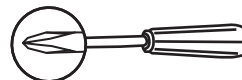
Rule



Spirit level



Eye protection (when using a hammer or drill)



Cross-head screwdriver



Electric drill (only use when drilling into walls)



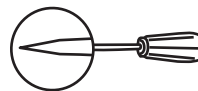
Square



Scissors



Hammer



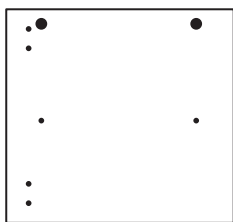
Bradawl

Note: If required the next page can be cut out and used as reference throughout the assembly. Keep this page with these instructions for future reference.

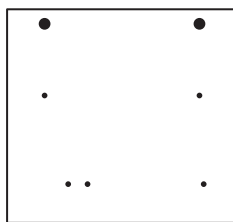
Components - Panels

If you have damaged or missing components, call the **Customer Helpline: 03456 400800** quoting the reference numbers below

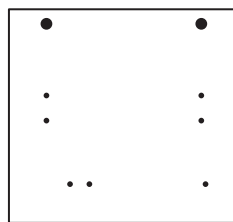
Please check you have all the panels listed below



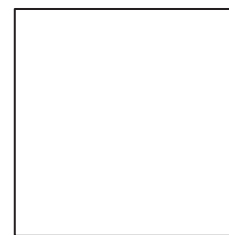
1 Left End (DF3511)
(353 x 378mm)



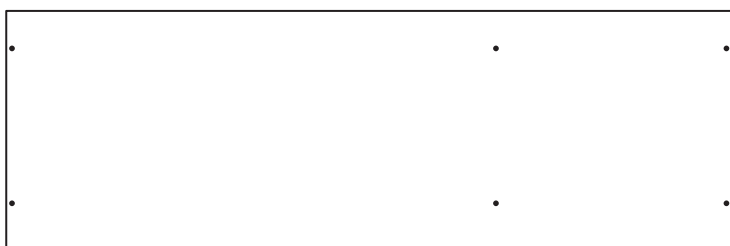
2 Right End (DF3512)
(353 x 378mm)



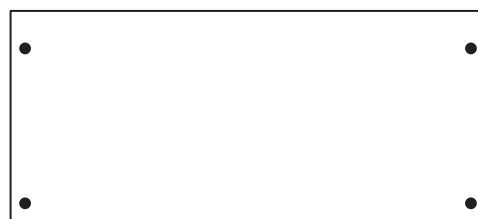
3 Divider (DF3520)
(353 x 378mm)



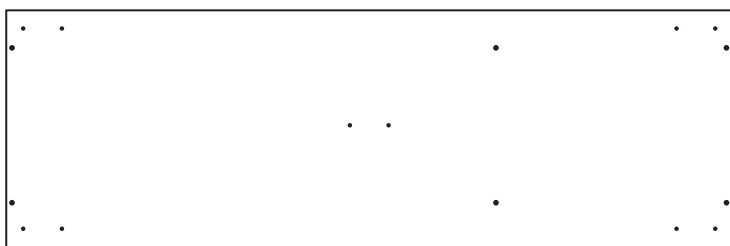
4 Loose Shelf (DF3523)
(366 x 375mm)



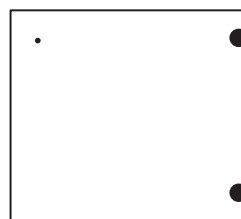
5 Top (DF3509)
(1200 x 396mm)



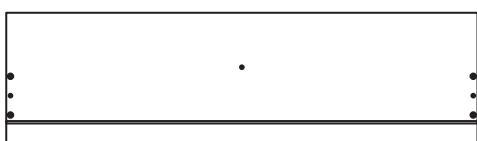
6 Fixed Shelf (DF3513)
(785 x 351mm)



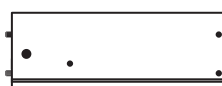
7 Base (DF3510)
(1200 x 396mm)



8 Door (DF3521)
(347 x 394mm)



9 Drawer Front (DF3522)
(779 x 215mm)



12 Left Drawer Side (W350-124LH)
(350 x 124mm)



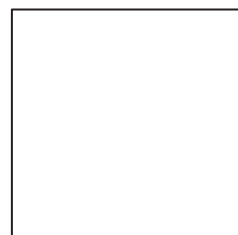
10 Drawer Back (W752-124)
(752 x 124mm)



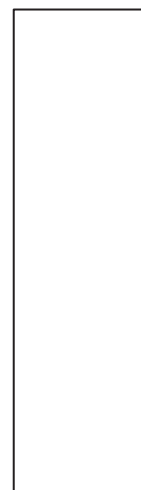
13 Right Drawer Side (W350-124RH)
(350 x 124mm)



11 Drawer Base (T763-347)
(763 x 347mm)



14 Short Back (X385-379)
(385 x 379mm)



15 Long Back (X804-229)
(804 x 229mm)

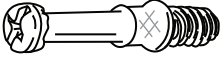











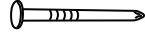


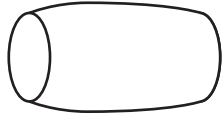

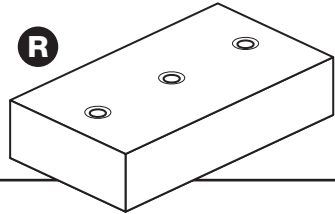

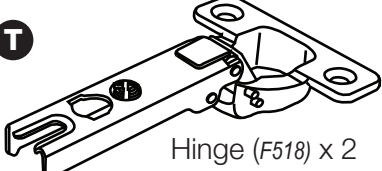


Components - Fittings

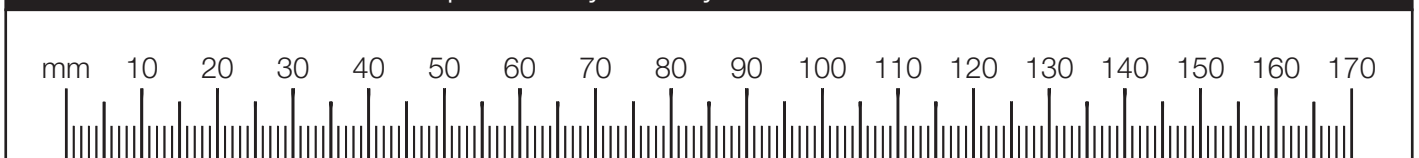
If you have damaged or missing components, call the **Customer Helpline: 03456 400800** quoting the reference numbers below

Please check you have all the fittings listed below

Note: The quantities below are the correct amount to complete the assembly. In some cases more fittings may be supplied than are required.

<p>A </p> <p>Metal dowel (F901) x 12</p>	<p>B </p> <p>Large locking nut (F900) x 10</p>	<p>C </p> <p>Small locking nut (F3) x 2</p>	
<p>D </p> <p>Knock-in Peg (F171GY) x 4</p>	<p>E </p> <p>Shelf stud (F110) x 4</p>	<p>F </p> <p>40mm Screw (F910) x 6</p>	
<p>G </p> <p>38mm Screw (F81) x 10</p>	<p>H </p> <p>19mm Screw (F461) x 2</p>	<p>I </p> <p>13mm Screw (F63) x 4</p>	
<p>J </p> <p>9mm Screw (F73) x 4</p>	<p>K </p> <p>9mm Screw (F74) x 2</p>	<p>L </p> <p>Wedgifix (F639) x 4</p>	<p>M </p> <p>Nail (F51) x 20</p>
<p>N </p> <p>Nail screw (F277) x 2</p>	<p>O </p> <p>Back holder (F276) x 2 *These can also be round</p>	<p>P </p> <p>Handle (F341) x 2</p>	
<p>Q </p> <p>Drawer runner (F1004) x 2</p>		<p>R </p> <p>Foot (F233) x 5</p>	
<p>S </p> <p>Hinge plate (F523) x 2</p>	<p>T </p> <p>Hinge (F518) x 2</p>		

Ruler - Use this ruler to help correctly identify the screws



Assembly Instructions

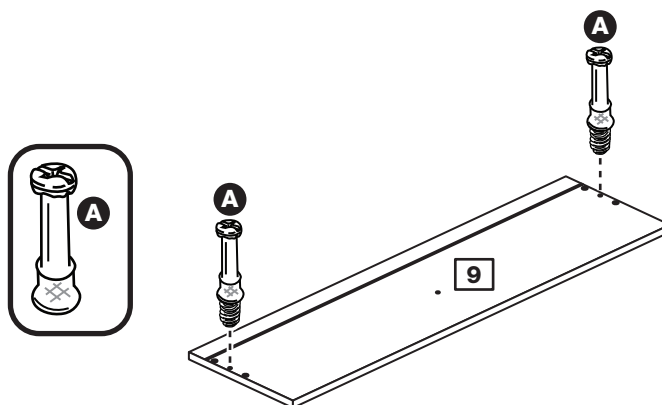
If you have damaged or missing components, call the
Customer Helpline: 03456 400800 quoting the reference
numbers below

Step 1

Prepare the drawer front

Screw 2 metal dowels **A** into the drawer front **9**.

Note: Tighten the metal dowels up fully against the panels.

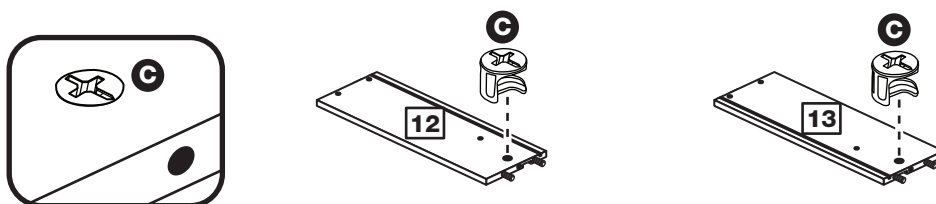


Step 2

Prepare the drawer sides

Insert a small locking nut **C** into the hole shown on the left drawer side **12** and the right drawer side **13**.

Note: The arrow on the locking nut **must** point towards the hole in the edge of the panel.



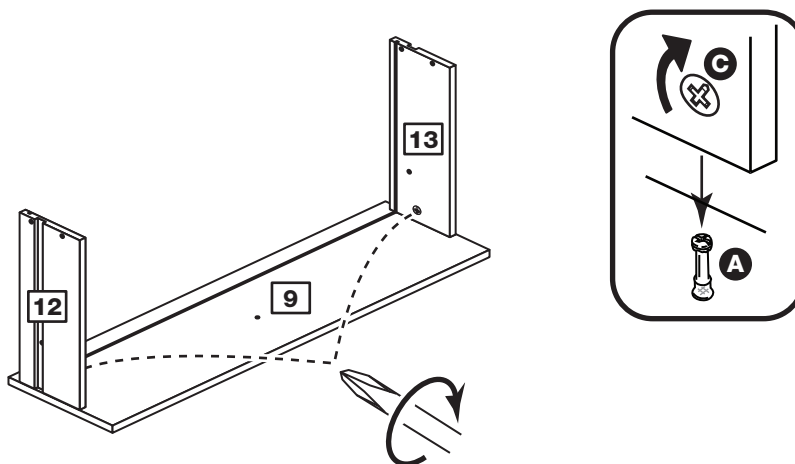
Step 3

Attach the drawer sides to the drawer front

Push the left drawer side **12** and right drawer side **13** onto the back of the drawer front **9**.

Turn the small locking nuts **C** on the left drawer side **12** and right drawer side **13**.

Note: Turn the locking nuts **C** clockwise to secure panels - more than 1/2 a turn.

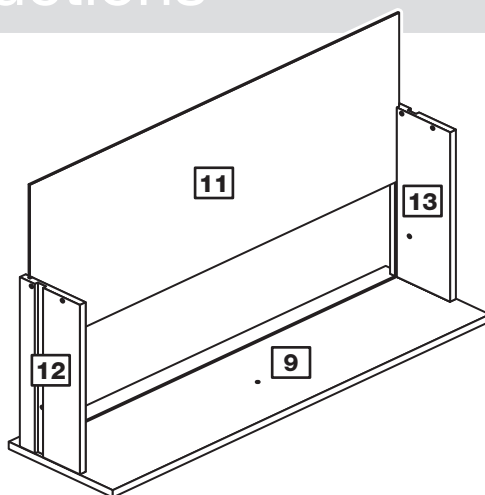


Assembly Instructions

Step 4

Fit the drawer base

Slide the drawer base **11** down the grooves in the drawer sides **12** and **13** and down into the groove in the drawer front **9**.

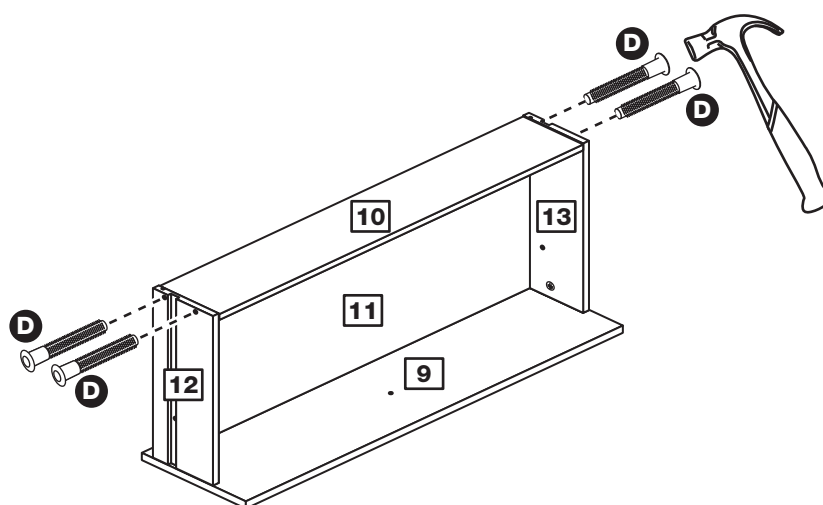


Step 5

Fit the drawer back

Fit the drawer back **10** between the drawer sides **12** and **13**. Make sure that the drawer base **11** fits into the groove in the drawer back **10**.

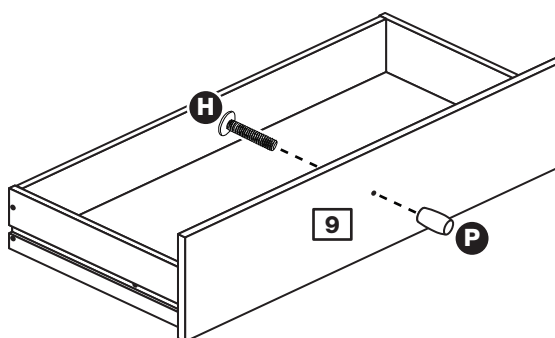
Hold the drawer back **10** in position and tap the knock-in pegs **D** through the holes in the drawer sides **12** and **13**.



Step 6

Attach the handle

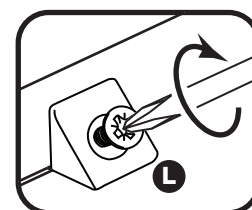
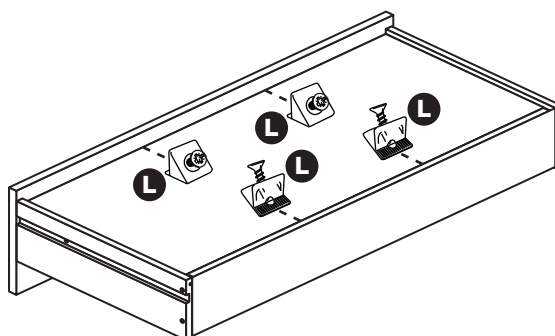
Attach a handle **P** to the drawer front **9** using screw **H**.



Step 7

Fit the wedgexes

Turn the drawer assembly over and slide 4 wedgexes **L** into the front and back grooves, as shown, and tighten up the screws.



Assembly Instructions

Step 8

Prepare the right end

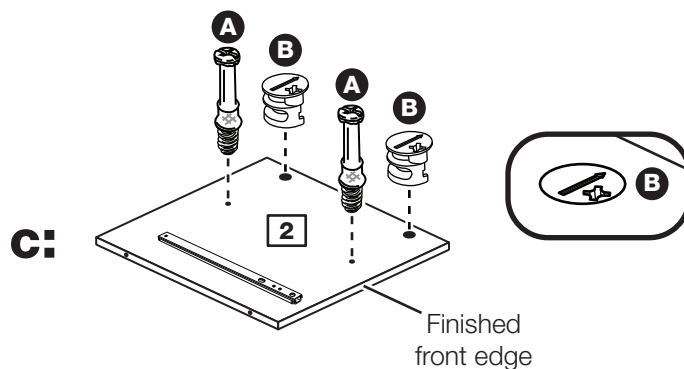
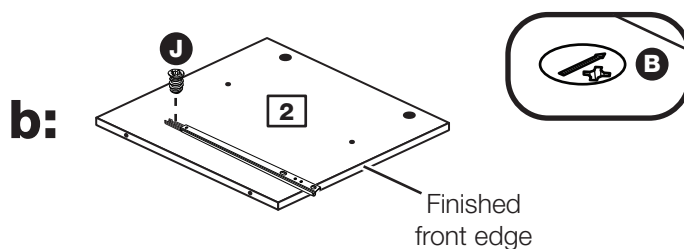
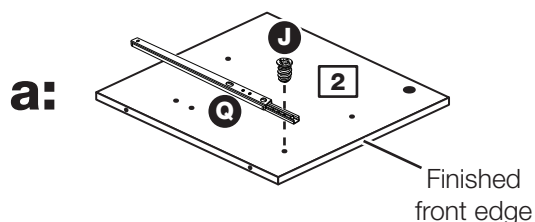
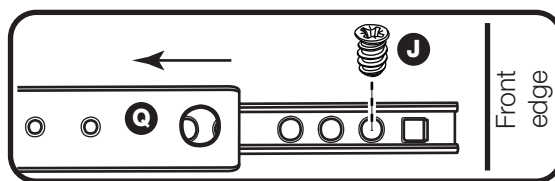
a: Place a runner **Q** on the right end **2** as shown. Slide back the top of runner and use the 1st hole from the front to fit the 1st screw **J**.

b: Slide the runner **Q** back the other way and fit the 2nd screw **J** into the corresponding hole in the right end **2**.

c: Screw 2 metal dowels **A** into the right end **2**.

Insert 2 large locking nuts **B** into the right end **2**.

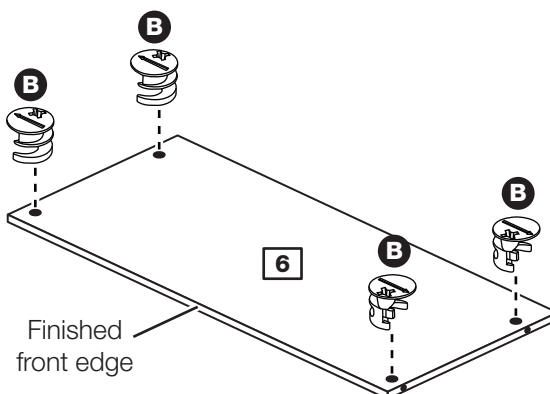
Note: The arrow on the locking nuts **must** point towards the hole in the edge of the panel.



Step 9

Prepare the fixed shelf

Insert 4 large locking nuts **B** into the fixed shelf **6**.



Assembly Instructions

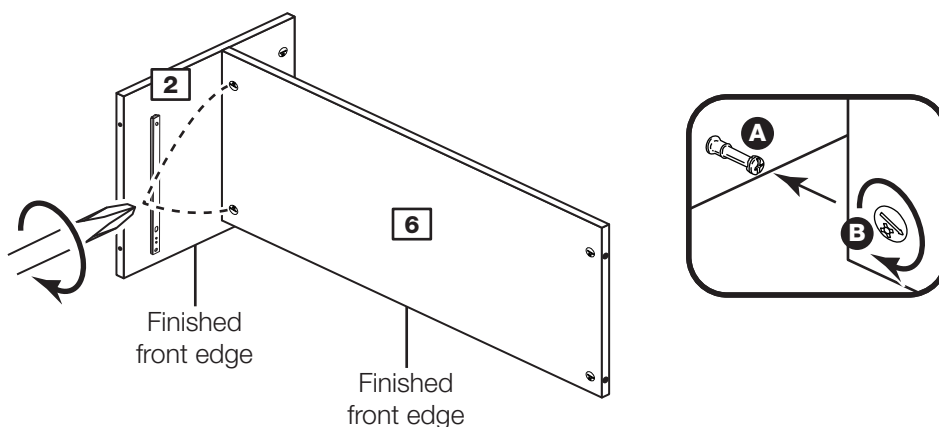
Step 10

Fit the fixed shelf to the right end

Push the fixed shelf **6** onto the right end **2**.

Use a screwdriver to tighten the 2 large locking nuts **B** fitted to the fixed shelf **6**.

Note: Turn the large locking nuts **B** as far as they will go - more than 1/2 a turn.



Step 11

Prepare the divider

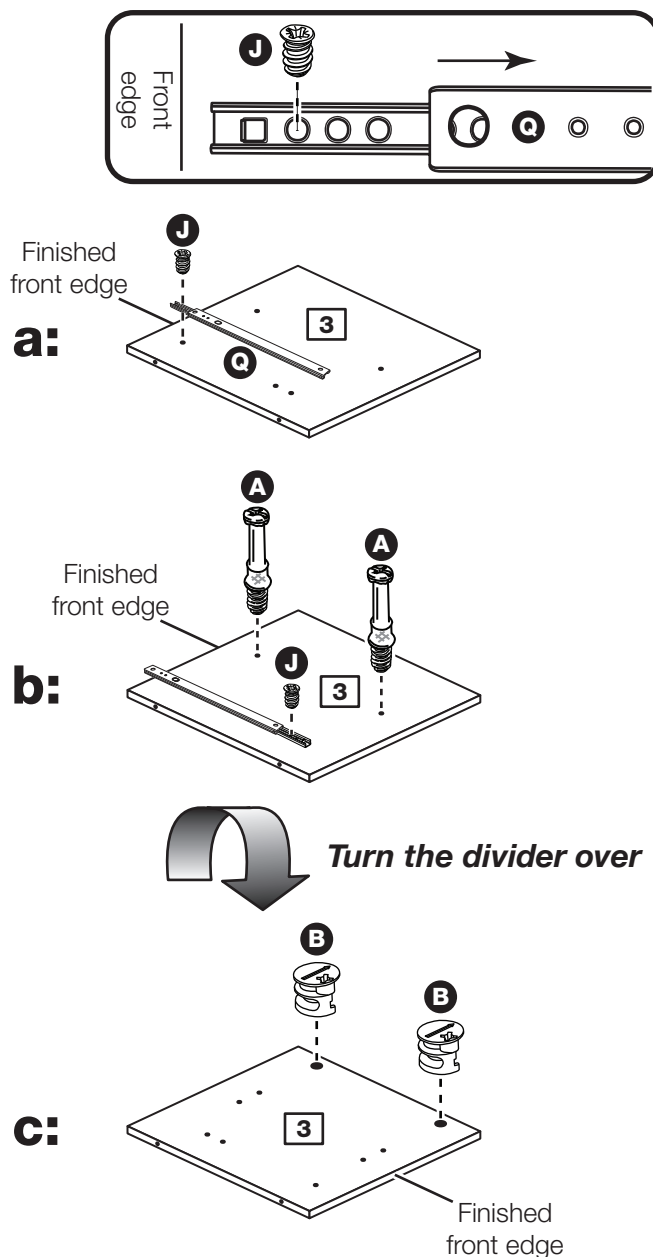
a: Place a runner **Q** on the divider **3** as shown. Slide back the top of runner and use the 1st hole from the front to fit the 1st screw **J**.

b: Slide the runner **Q** back the other way and fit the 2nd screw **J** into the corresponding hole in the divider **3**.

Screw 2 metal dowels **A** into the divider **3**.

Turn the divider over

c: Insert 2 large locking nuts **B** into the divider **3**.



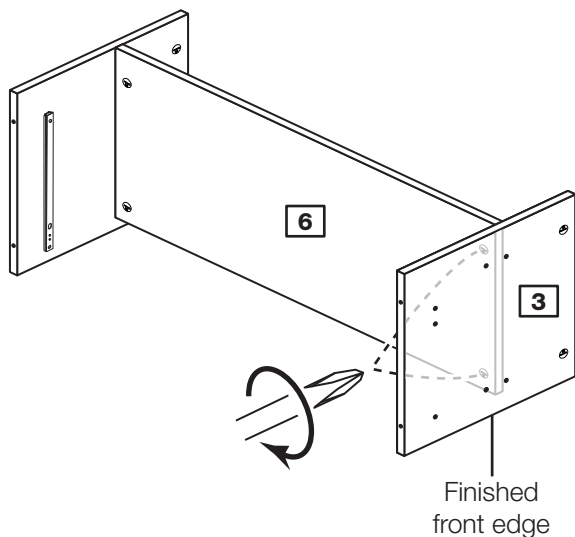
Assembly Instructions

Step 12

Fit the divider to the fixed shelf

Push the divider **3** onto the fixed shelf **6**.

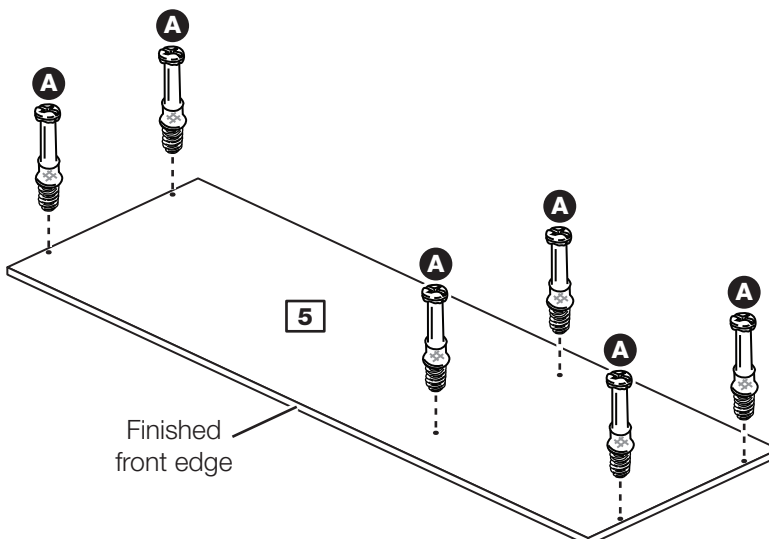
Use a screwdriver to tighten the 2 large locking nuts **B** fitted to the fixed shelf **6**.



Step 13

Prepare the top

Screw 6 metal dowels **A** into the top **5**.



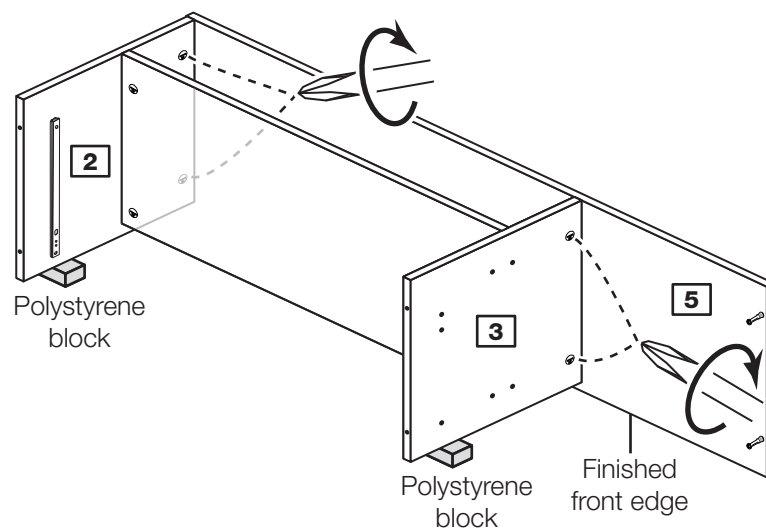
Step 14

Fit the top

Push the top **5** onto the right end **2** and divider **3**.

Use a screwdriver to tighten the 2 large locking nuts **B** fitted to the right end **2** and the divider **3**.

Note: To make it easier to fit the top and base, place polystyrene blocks from the packaging underneath the right end and divider to raise them.



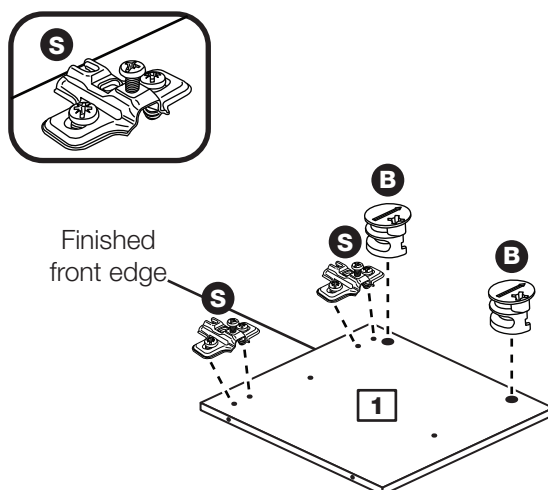
Assembly Instructions

Step 15

Prepare the left end

Insert 2 large locking nuts **B** into the left end **1**.

Fit 2 hinge plates **S** onto the left end **1**, making sure that the slot is facing towards the front edge.



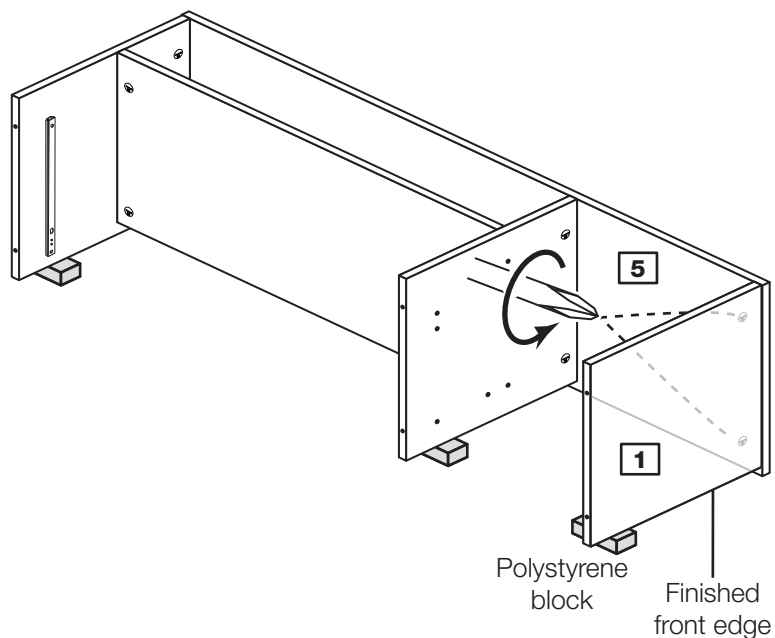
Step 16

Fit the left side

Push the left side **1** onto the top **5**.

Use a screwdriver to tighten the 2 large locking nuts **B** fitted to the left side **1**.

Note: Place a polystyrene block from the packaging underneath the left side to raise it.



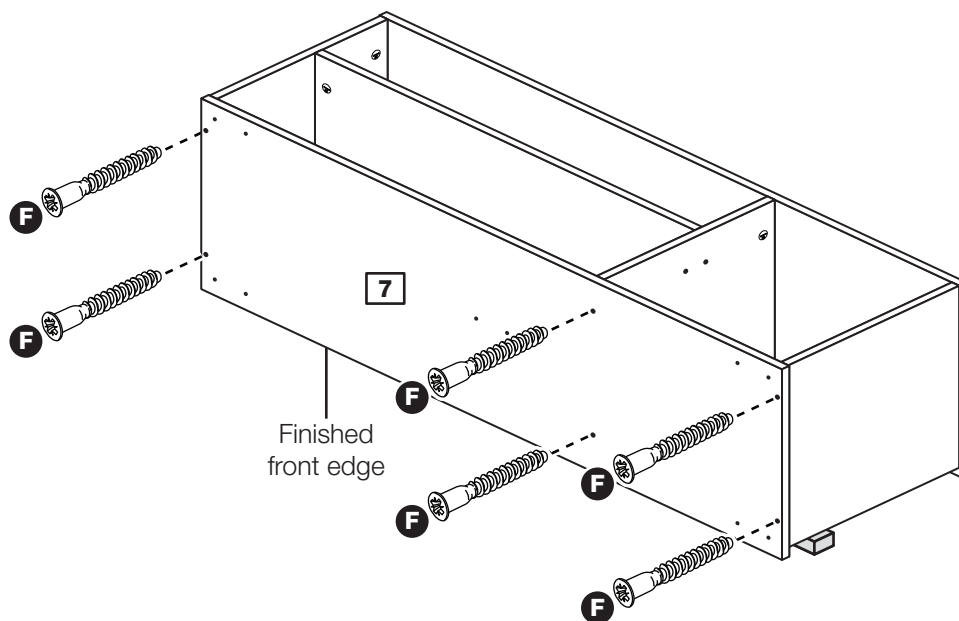
Assembly Instructions

Step 17

Fit the base

Fit the base **7** onto the assembly using 6 screws **F**.

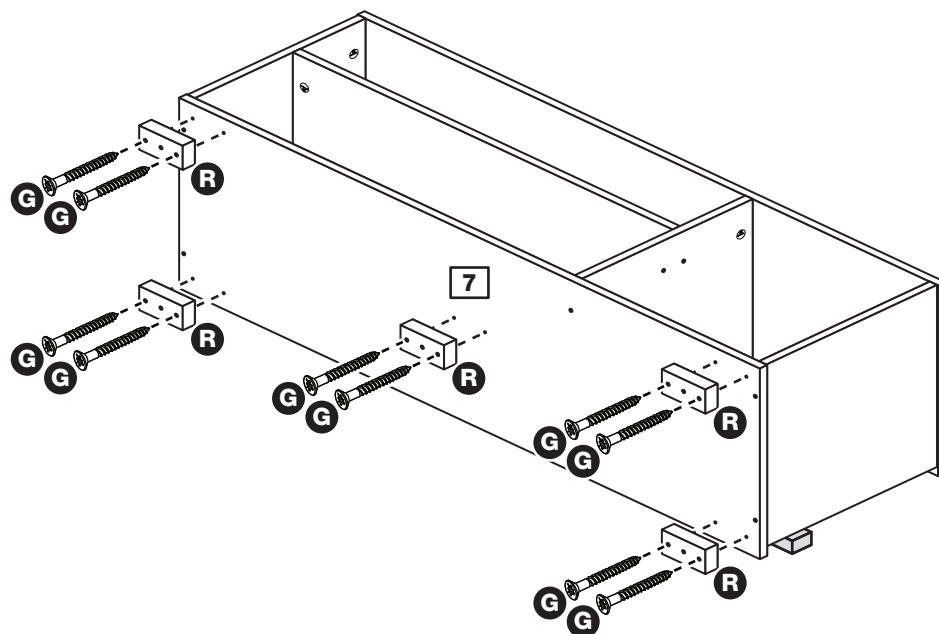
F.



Step 18

Fit the feet

Fit the feet **R** to the base **7** using screws **G**.



Assembly Instructions

Step 19

Fit the back panels

a: Square up the unit by making sure that measurement **x:x equals y:y**.

Place the short back **14** and long back **15**, coloured surface facing down, onto the unit as shown.

Make sure that the 2 backs are pushed up tight against each other and that they meet in the centre of the divider's **3** back edge.

b: Nail **M** around the outside edges of the 2 backs, as shown.

Note: Do not nail the edges where the 2 backs meet.

c: Push the nail screws **N** through the back holders **O** and tap them down between the short back **14** and the long back **15** and into the back edge of the divider **3**.

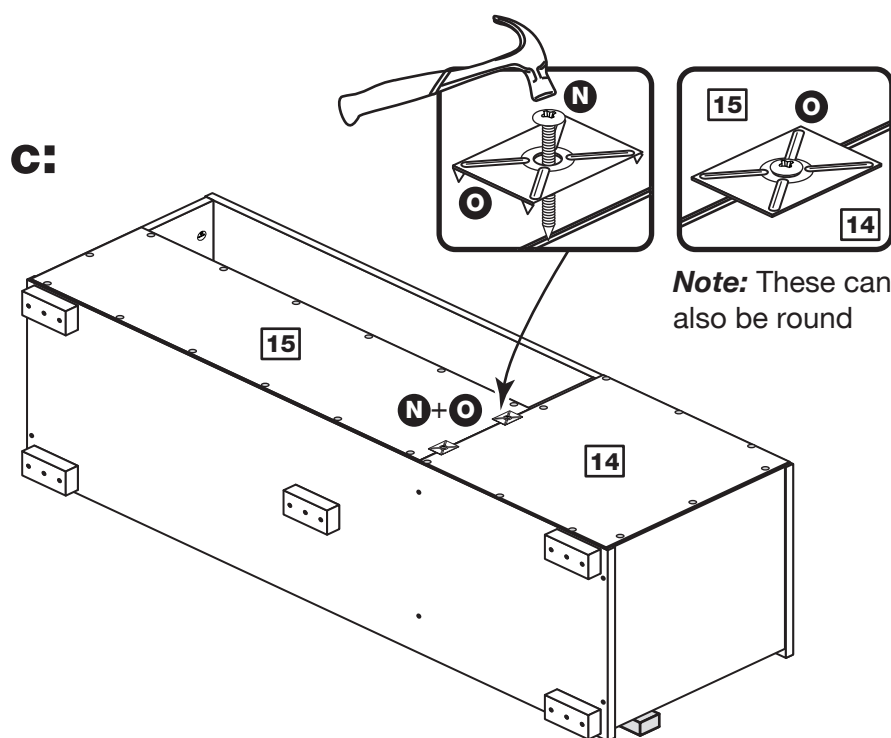
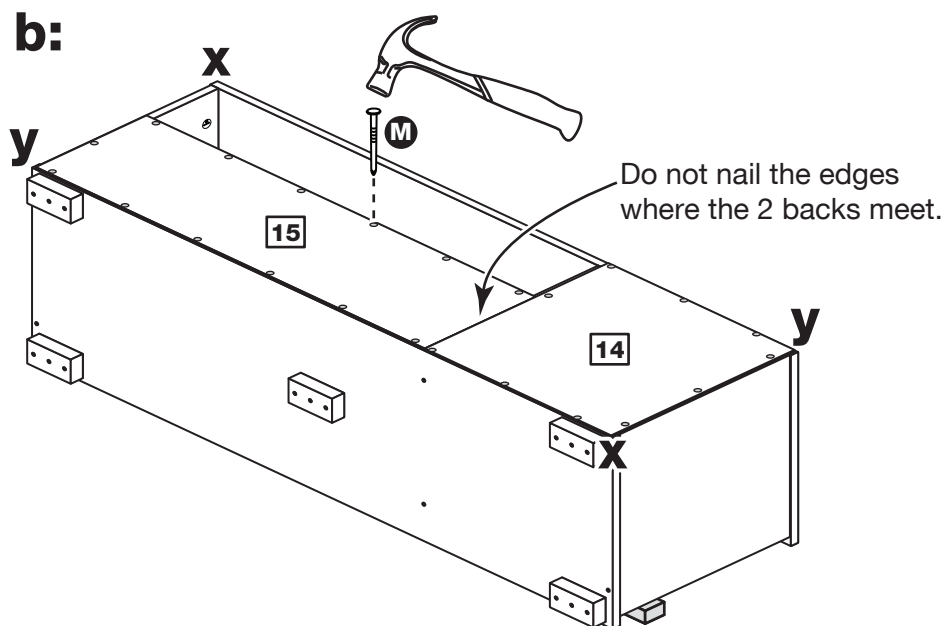
Keep tapping the nail screws **N** in until the back holders **O** dig into the short and long back.

Carefully stand the unit up for the next step.



Warning: The unit is heavy. Lift with care.

a: The measurement from top corner X to bottom corner X must be equal to the measurement from top corner Y to bottom corner Y



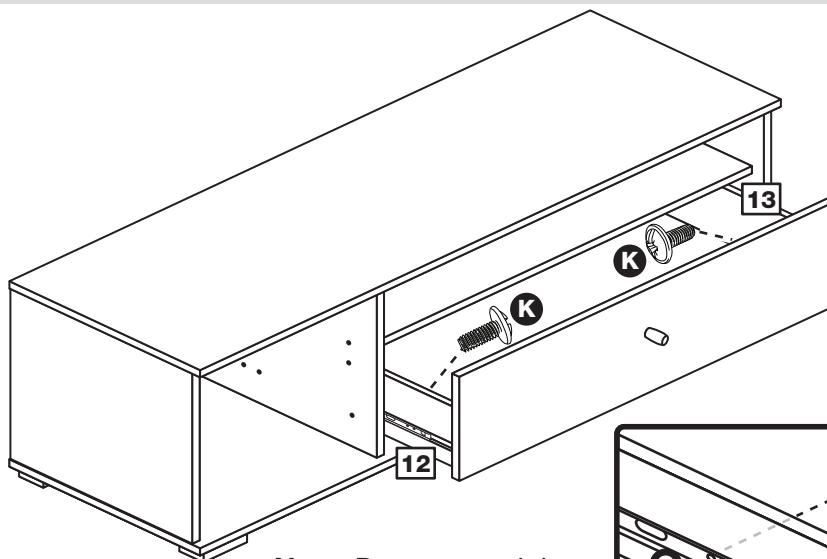
Assembly Instructions

Step 20

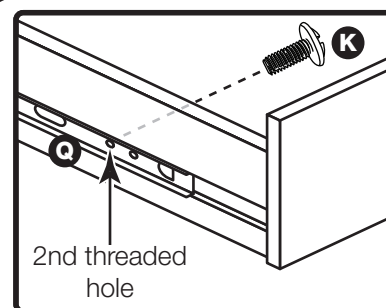
Fit the drawers

Slide both the runners **Q** forward and locate the drawer sides **12** and **13** between them, lining up the holes in the drawer wrap with the 2nd 'threaded' holes in the runners **Q**.

Working from the inside of the drawer, insert 2 screws **K** through the drawer sides and out into the 2nd threaded hole in the runner.



Note: Do not overtighten the screws **K**. If they catch on the runner you may need to loosen them slightly.

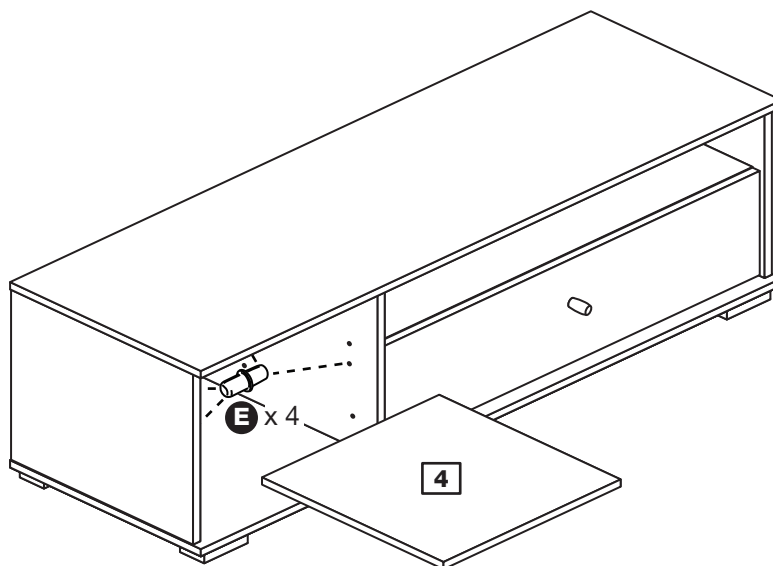


Step 21

Fit the loose shelf

Insert 4 shelf studs **E** into the holes shown.

Lower the loose shelf **4** down onto the shelf studs **E**.

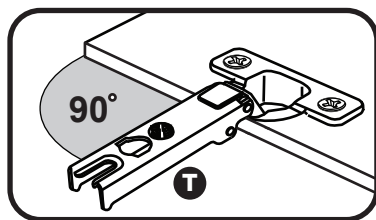


Step 22

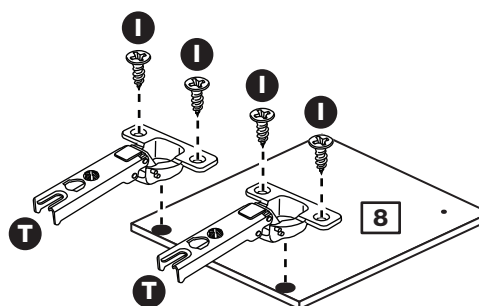
Prepare the door

Push fit 2 hinges **T** into the door **8**.

Secure each hinge with 2 screws **I**.



Note: Before securing with the screws, make sure that the hinges are positioned at 90 degrees with the edge of the door.



Assembly Instructions

Step 23

Fit door and handle

Note: The easiest way to attach the door **8** is to fit the top hinge first, then align and fit the other hinge.

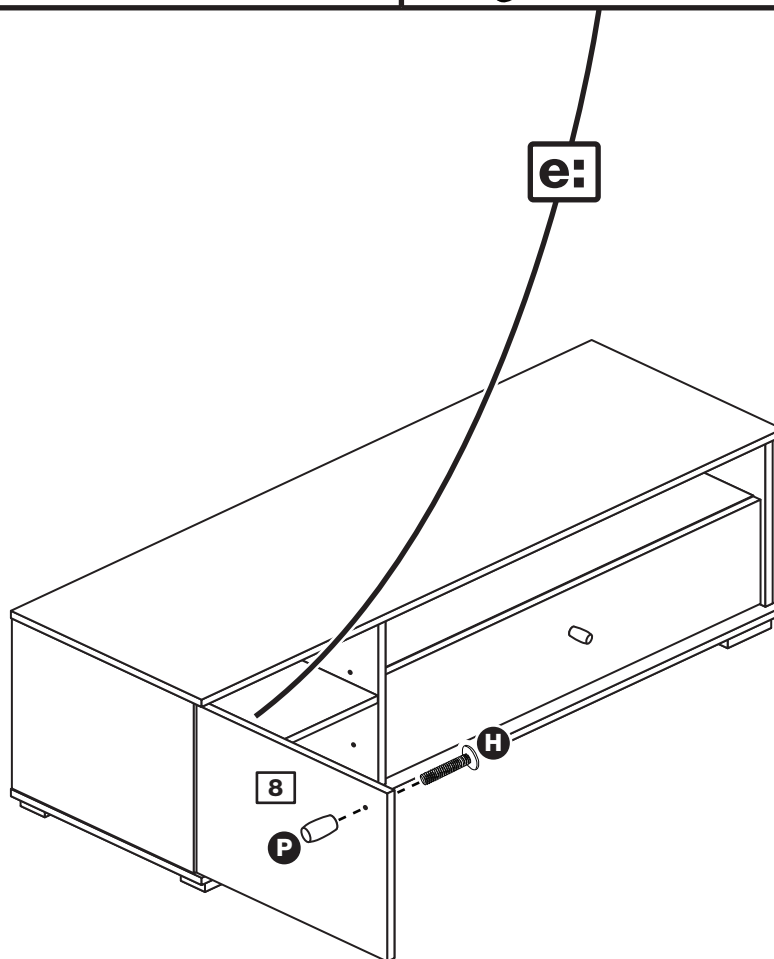
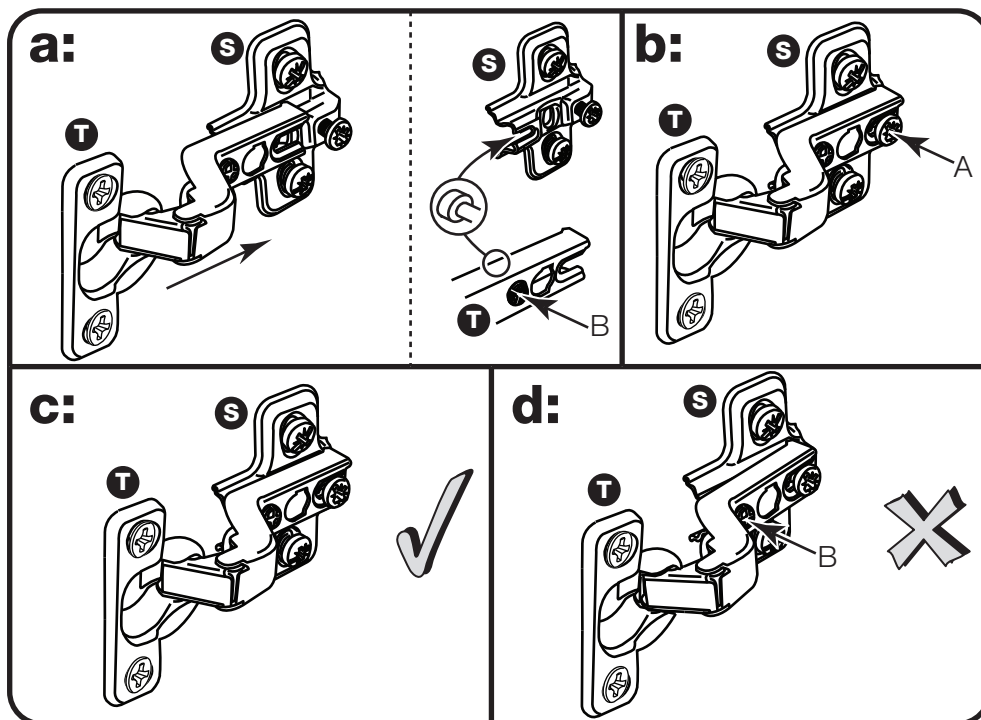
a: Push the hinge **T** onto the front part of the hinge plate **S**. The recess at the bottom of screw B goes into the slot in the hinge plate.

b: Keep the hinge **T** FLAT against the hinge plate **S** as you slide it across as far as it will go. Tighten screw A.

c: The hinge **T** must be flat against the hinge plate **S** prior to any adjustment.

d: The hinge **T** must NOT be AT AN ANGLE to the hinge plate **S** when assembled. This would indicate that the recess at the bottom of screw B had not located in the slot in the hinge plate and the hinge would not be secure. Remove the hinge from the hinge plate and then re-assemble being careful to follow instructions a-c.

e: Attach a handle **P** to the door **8** using screw **H**.



Assembly Instructions

Step 24

Adjust the door if needed

a: Before adjusting the door, use a spirit level to check the top (or base) of the unit is level, front-to-back and side-to-side in the 3 positions shown. Use suitable packing pieces (not supplied) to make the unit level BEFORE making any adjustment to the hinges, as shown.

b: Height adjustment.

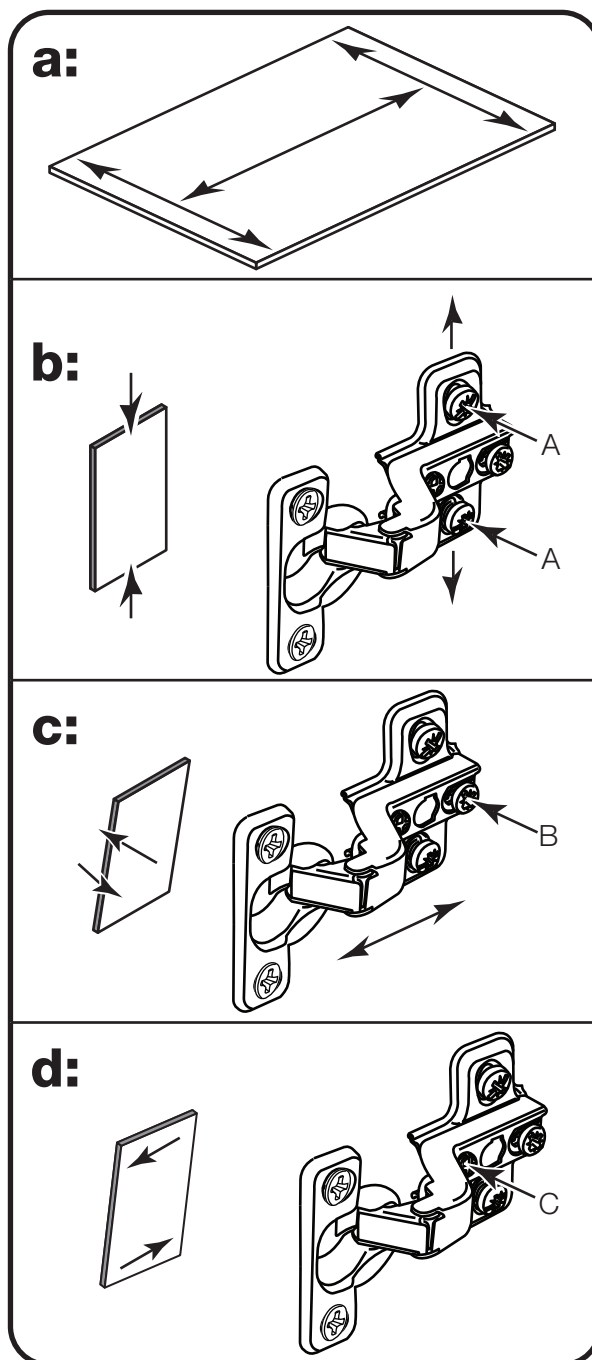
Loosen screws A on hinge plates and move door up or down as required. Retighten screw A.

c: Forward and Back adjustment.

Loosen screw B on hinge plate and move door in or out as required. Retighten screw B.

d: Sideways adjustment.

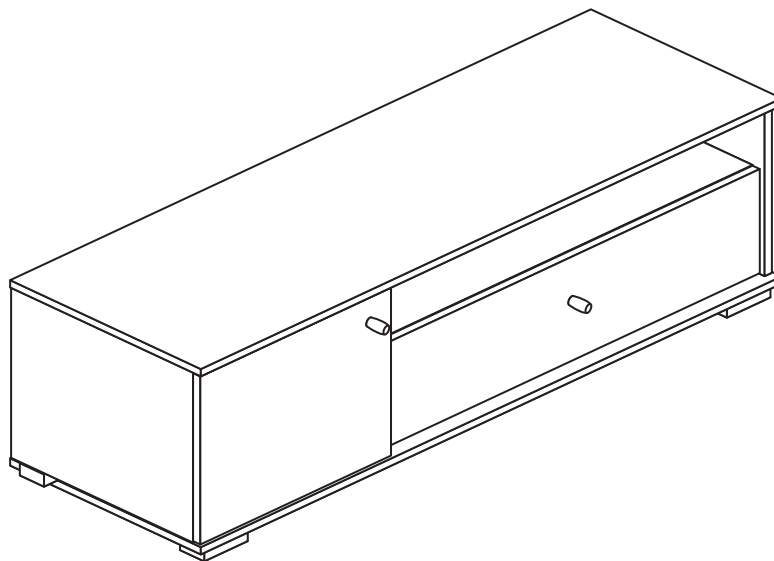
To move door 'out' loosen screw C. To move door 'in' tighten screw C.



Assembly Instructions

Step 25

Assembly is complete



If you need help or have damaged or missing parts, call the **Customer Helpline: 03456 400800** and quote the reference numbers on the component pages.

Argos Ltd, 489-499 Avebury Boulevard, Central Milton Keynes, MK9 2NW