

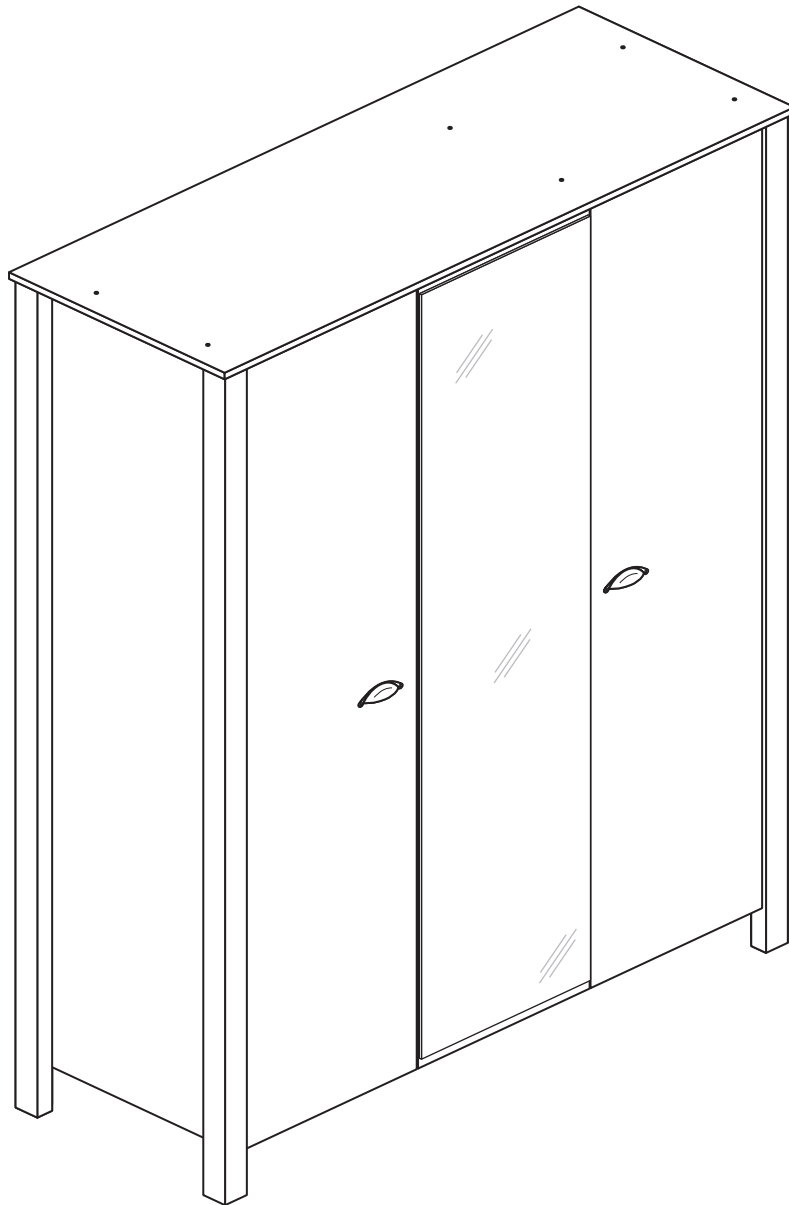
Marlow - 3 Door Mirror Robe

Assembly Instructions - Please keep for future reference

413/1212

417/4619

418/9563



Dimensions

Width - 130.8cm

Depth - 49.5cm

Height - 191.8cm



**MADE IN
BRITAIN**

Important - Please read these instructions fully before starting assembly

If you need help or have damaged or missing parts, please visit www.argos-support.co.uk or email: Help@ClickSpares.co.uk (quoting your original order number)

Alternatively, call the Spares Helpline on: 0370 112 1928.

For any other queries please contact the Customer Helpline on: 0345 640 2020



Safety and Care Advice

Important - Please read these instructions fully before starting assembly

- **Warning:** This unit weighs approximately 89kgs. Please lift with care.
- Check you have all the components and tools listed on pages 2 and 3.
- Remove all fittings from the plastic bags and separate them into their groups.
- Keep children and animals away from the work area, small parts could choke if swallowed.
- Parts of the assembly will be easier with 2 people.

- Make sure you have enough space to layout the parts before starting.
- Do not stand or put weight on the product, this could cause damage.
- Assemble the item as close to its final position (in the same room) as possible.
- Assemble on a soft level surface to avoid damaging the unit or your floor (use opened out unit carton).



• We do not recommend the use of power drill/drivers **for inserting screws**, as this could damage the unit. Only use hand screwdrivers.

- **Safety note:** It is recommended that this unit is secured to a wall using the overbalance protector kit supplied or, an alternative fixing method of your choice.
- Dispose of all packaging carefully and responsibly.

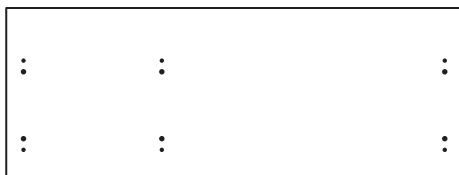
Care and maintenance

- Only clean using a damp cloth and mild detergent, do not use bleach or abrasive cleaners.
- From time to time check that there are no loose screws on this unit.
- This product should not be discarded with household waste. Take to your local authority waste disposal centre.

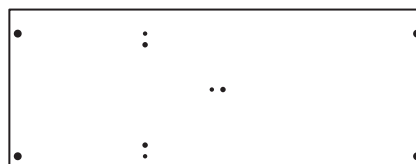
Components - Panels

If you need help or have damaged or missing parts, please visit www.argos-support.co.uk or email: Help@ClickSpares.co.uk (quoting your original order number)
Alternatively, call the Spares Helpline on: 0370 112 1928.
For any other queries please contact the Customer Helpline on: 0345 640 2020

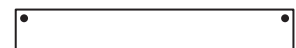
Please check you have all the panels listed below



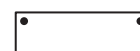
1 Top (DF3921)
(130.8 x 49.5cm)



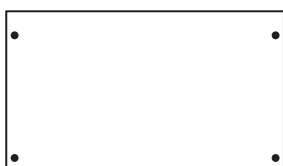
2 Base (DF3922)
(119.4 x 45.9cm)



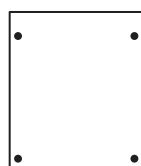
3 Large Rail (DF3742)
(79.7 x 11.9cm)



4 Small Rail (DF3926)
(38.2 x 11.9cm)



5 Large Shelf (DF3930B)
(79.7 x 45.9cm)



6 Small Shelf (DF3932)
(38.2 x 45.7cm)



7 Small Hanging Rail (FHR376)
(37.6cm long)



8 Large Hanging Rail (FHR791)
(79.1cm long)



9 Foot (D3090)
(10 x 5cm)

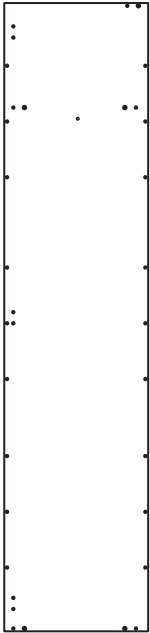
Components - Panels

If you need help or have damaged or missing parts, please visit www.argos-support.co.uk or email: Help@ClickSpares.co.uk (quoting your original order number)

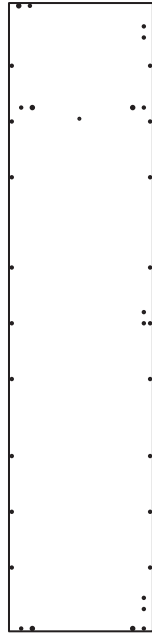
Alternatively, call the Spares Helpline on: 0370 112 1928.

For any other queries please contact the Customer Helpline on: 0345 640 2020

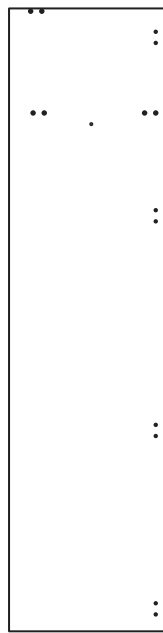
Please check you have all the panels listed below



10 Left Side (DF3918B)
(180.3 x 41.3cm)



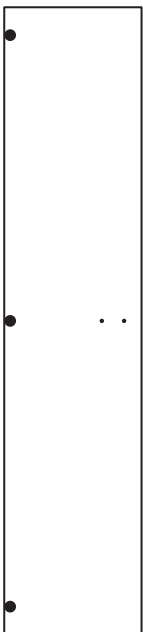
11 Right Side (DF3919B)
(180.3 x 41.3cm)



12 Divider (DF3931)
(178.75 x 45.8cm)



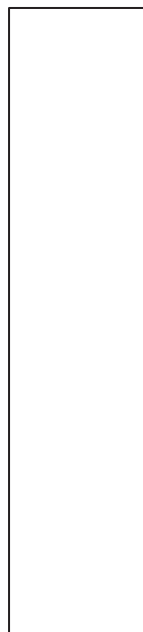
13 Leg (DF3631)
(190.3 x 5cm) x 4



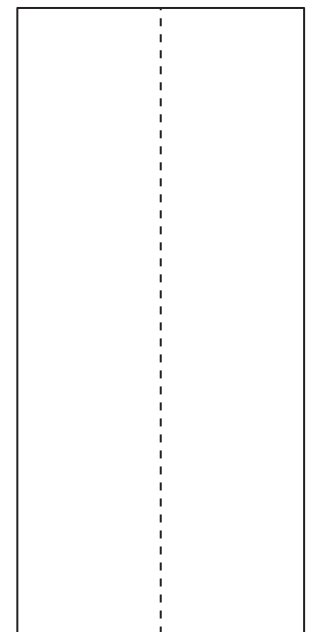
14 Plain Door (DF3920)
(180 x 39.4cm) x 2



15 Mirror Door (DF3939)
(180 x 39.4cm)
(Mirror - SG27
175.5 x 38.8cm
Safety Back SAR)



16 Small Back (X1798-401)
(179.8 x 40.1cm)



17 Large Back (X1798-823)
(179.8 x 82.3cm)



Components - Fittings

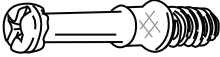

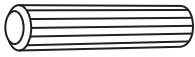
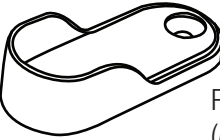
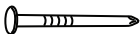




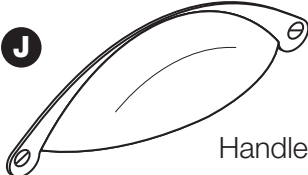

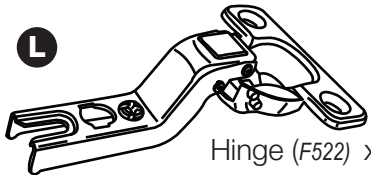
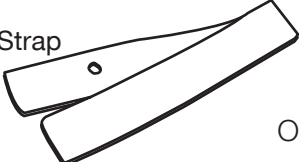


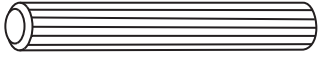

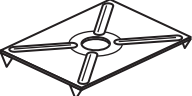

If you need help or have damaged or missing parts, please visit www.argos-support.co.uk or email: Help@ClickSpares.co.uk (quoting your original order number)

Alternatively, call the Spares Helpline on: 0370 112 1928.

For any other queries please contact the Customer Helpline on: 0345 640 2020

Please check you have all the fittings listed below

Note: The quantities below are the correct amount to complete the assembly. In some cases more fittings may be supplied than are required.

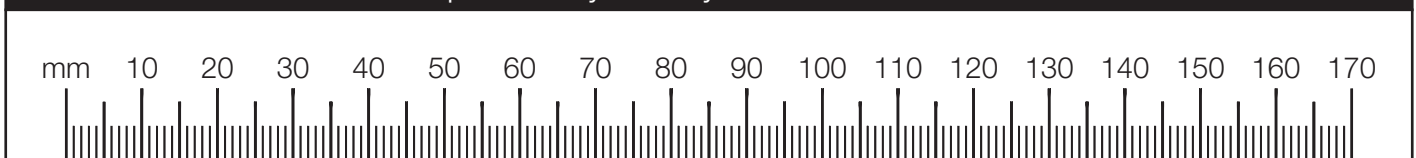
<p>A </p> <p>Metal dowel (F901) x 10</p>	<p>B </p> <p>Large locking nut (F900) x 16</p>	<p>C </p> <p>Wooden dowel (F22) x 19</p>
<p>D </p> <p>Rail Holder (F891) x 4</p>	<p>E </p> <p>Nail (F51) x 40</p>	<p>F </p> <p>40mm Screw (F910) x 9</p>
<p>G </p> <p>38mm Screw (F81) x 36</p>	<p>H </p> <p>19mm Screw (F461) x 4</p>	<p>I </p> <p>13mm Screw (F63) x 28</p>
<p>J </p> <p>Handle (F449) x 2</p>	<p>K </p> <p>Hinge plate (F523) x 10</p>	<p>L </p> <p>Hinge (F522) x 10</p>
<p>M   Screw  Washer x 2</p> <p>Overbalance protector kit (F269) x 1</p>		<p>N </p> <p>Large wooden dowel (F40) x 3</p>
<p>O </p> <p>Nail screw (F277) x 6</p>	<p>P  *These can also be round</p> <p>Back holder (F276) x 6</p>	<p>Q </p> <p>Double metal dowel (F566) x 3</p>

Tools required

Scissors / Rule / Hammer / Cross-head screwdriver / Square / Spirit level / Step ladder

Eye protection (when using a hammer or drill) / Electric drill (only use when drilling into walls)

Ruler - Use this ruler to help correctly identify the screws



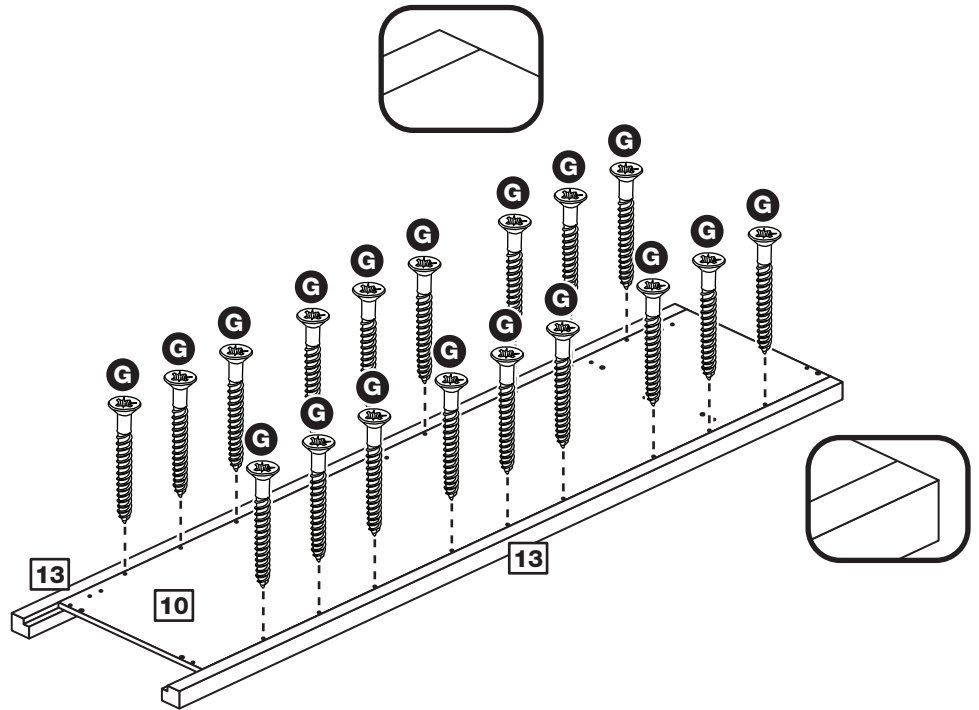
Assembly Instructions

Step 1

Fit 2 legs to the left side

Screw 2 legs **13** to the left side **10** using 18 screws **G**.

Note: The top of the legs must be flush with the top of the left side.

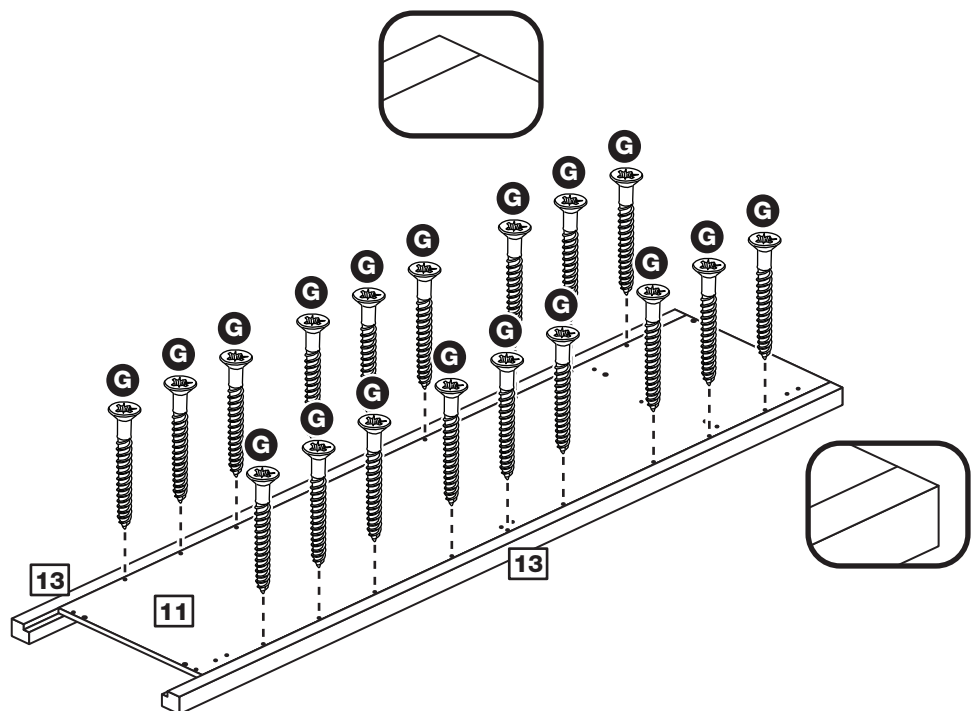


Step 2

Fit 2 legs to the right side

Screw 2 legs **13** to the right side **11** using 18 screws **G**.

Note: The top of the legs must be flush with the top of the right side.



Assembly Instructions

Step 3

Prepare the left side

Screw 5 metal dowels **A** into the left side **10**.

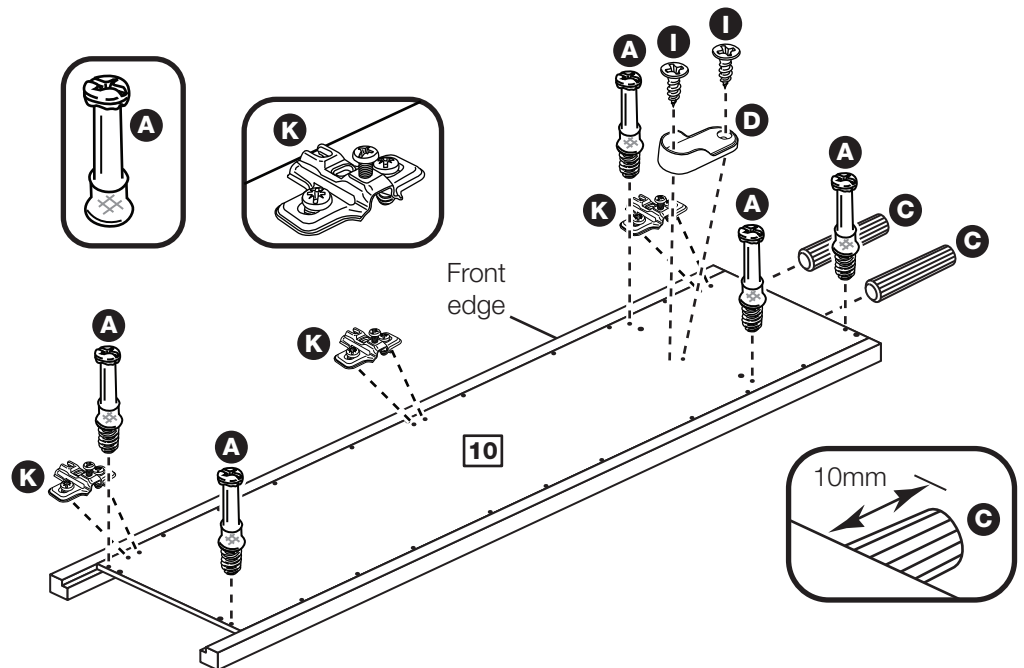
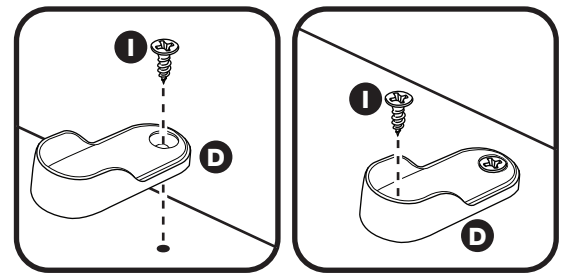
Note: Tighten the metal dowels up fully against the panels.

Tap 2 wooden dowels **C** into the left side **10**.

Note: Wooden dowels **must not** stick out from the edge by more than 10mm or they may damage other panels.

To fit the rail holder **D**, screw through the top hole with screw **I** and into the mark hole drilled in the left side **10**. Make sure that it is fitted straight, in line with the panel edges and then fit another screw **I** using the lower hole.

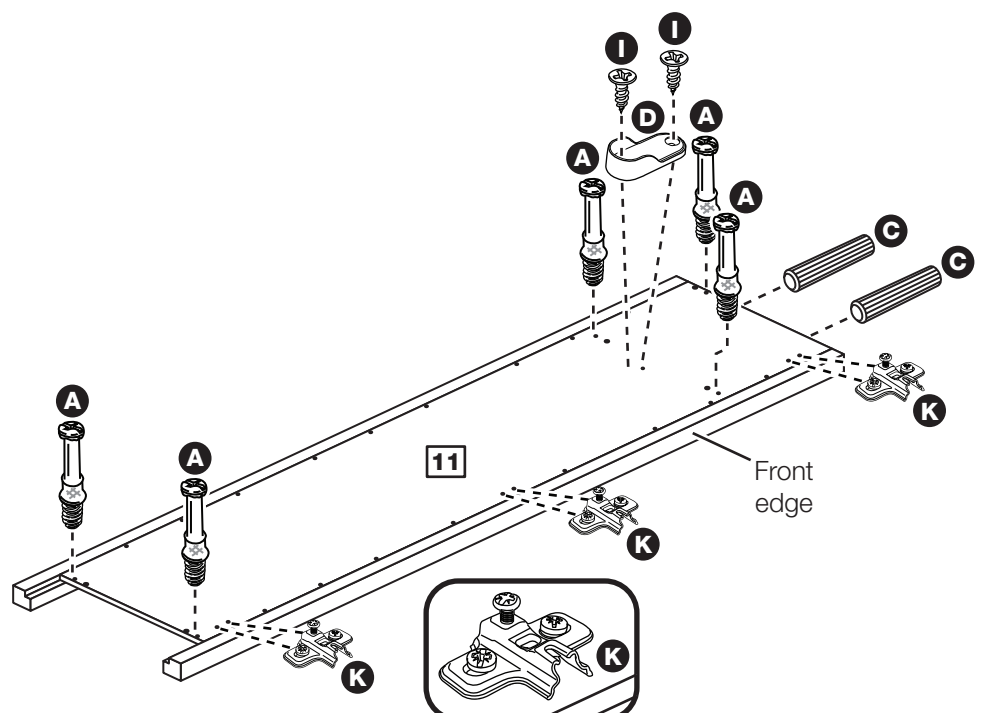
Fit 3 hinge plates **K** onto the left side **10**, making sure that the slot is facing towards the front edge.



Step 4

Prepare the right side

Use the same fittings you used for the left side to prepare the right side **11**.



Assembly Instructions

Step 5

Prepare the divider

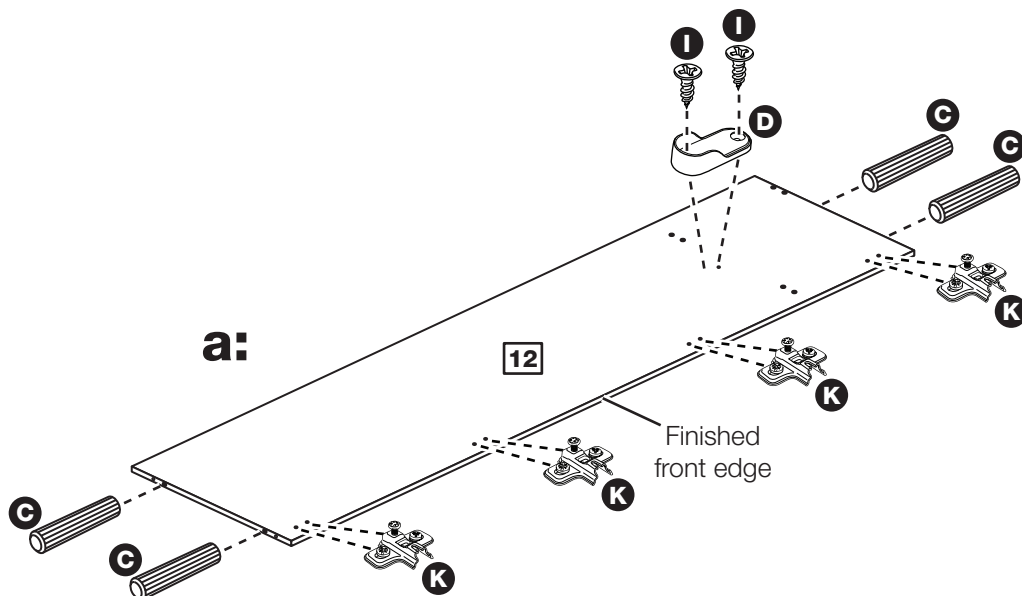
a: Tap 4 wooden dowels **C** into the divider **12**.

To fit the rail holder **D**, screw through the top hole with screw **I** and into the mark hole drilled in the divider **12**. Make sure that it is fitted straight, in line with the panel edges and then fit another screw **I** using the lower hole.

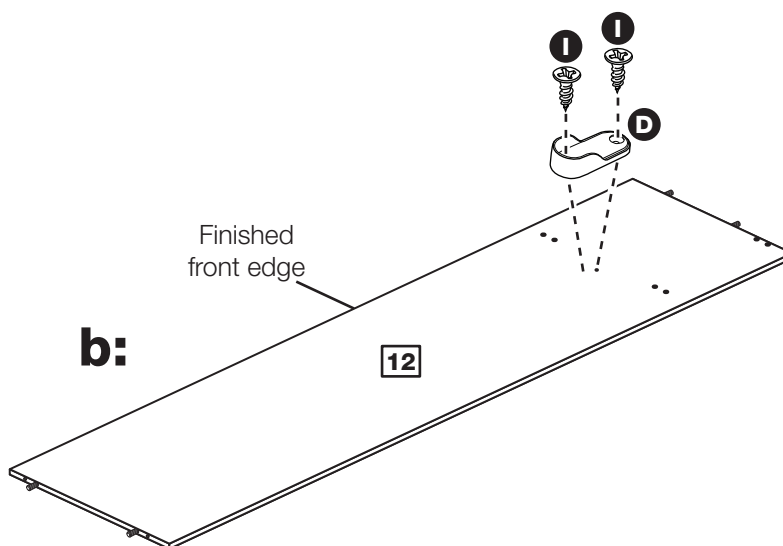
Fit 4 hinge plates **K** onto the divider **12**, making sure that the slot is facing towards the finished front edge.

Turn the divider over

b: Fit another rail holder **D**, through the top hole with screw **I** and into the mark hole drilled in the divider **12**. Make sure that it is fitted straight, in line with the panel edges and then fit another screw **I** using the lower hole.



Turn the divider over



Assembly Instructions

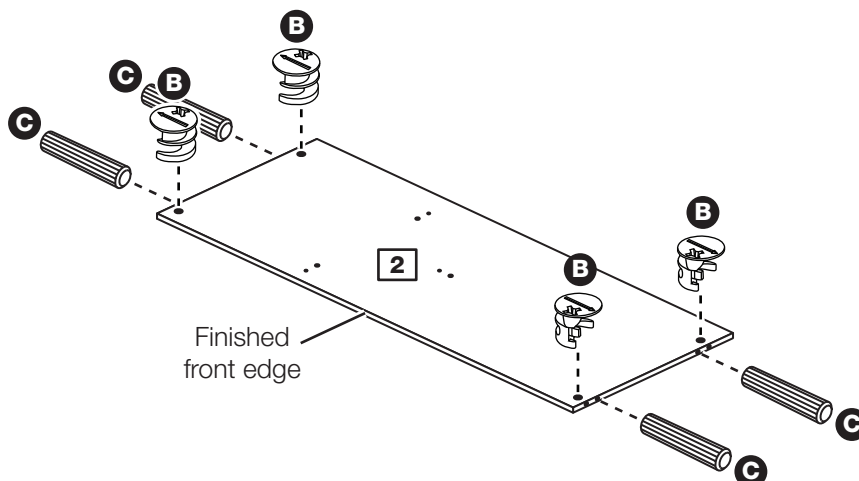
Step 6

Prepare the base

Insert 4 large locking nuts **B** into the base **2**.

Note: The arrow on the locking nut **must** point towards the hole in the edge of the panel.

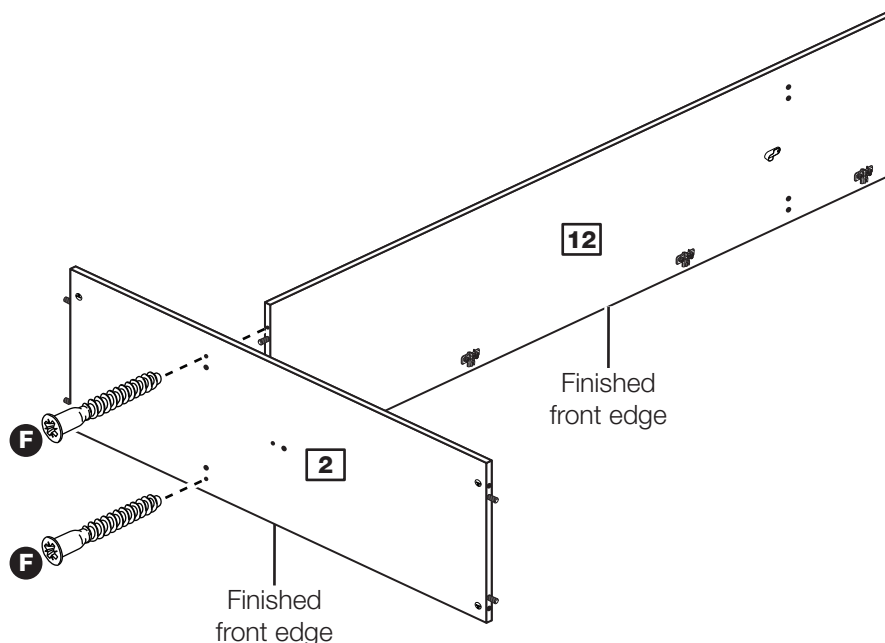
Tap 4 wooden dowels **C** into the base **2**.



Step 7

Fit the base to the divider

Attach the base **2** to the divider **12** using 2 screws **F**.

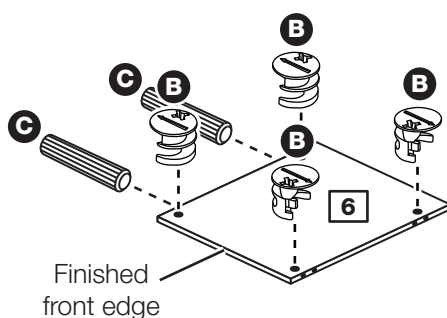


Step 8

Prepare the small shelf

Insert 4 large locking nuts **B** into the small shelf **6**.

Tap 2 wooden dowels **C** into small shelf **6**.



Assembly Instructions

Step 9

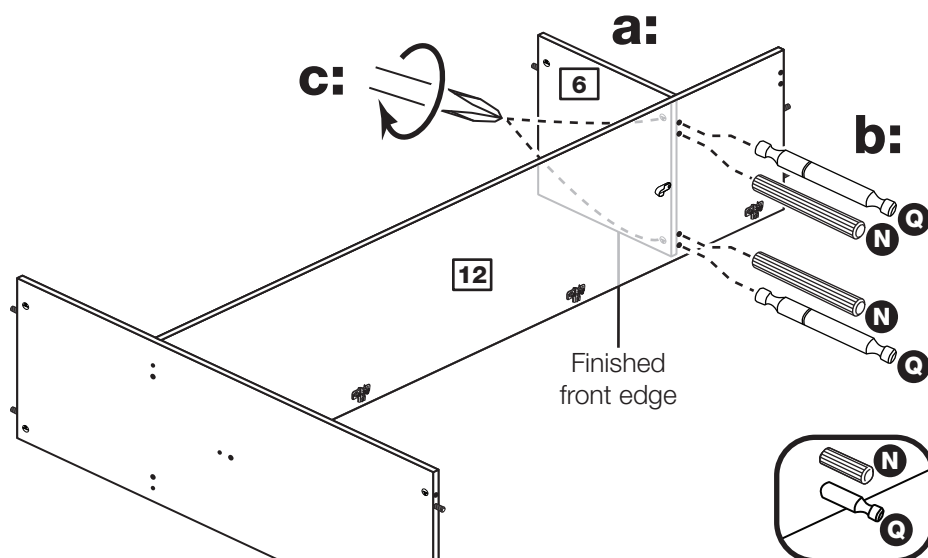
Fit the small shelf

a: Position the small shelf **6** up against the 4 holes in the divider **12**.

b: Tap 2 double metal dowels **Q** through the divider **12** and into the small shelf **6** until they "bottom out".

Tap 2 large wooden dowels **N** through the divider **12** and into the small shelf **6** until they "bottom out".

c: Use a screwdriver to tighten the 2 large locking nuts **B** fitted to the small shelf **6**.

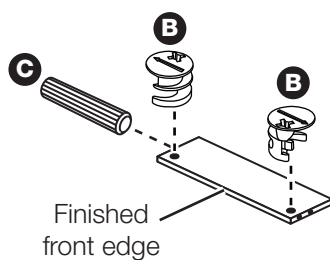


Step 10

Prepare the small rail

Insert 2 large locking nuts **B** into the small rail **4**.

Tap a wooden dowel **C** into small rail **4**.



Assembly Instructions

Step 11

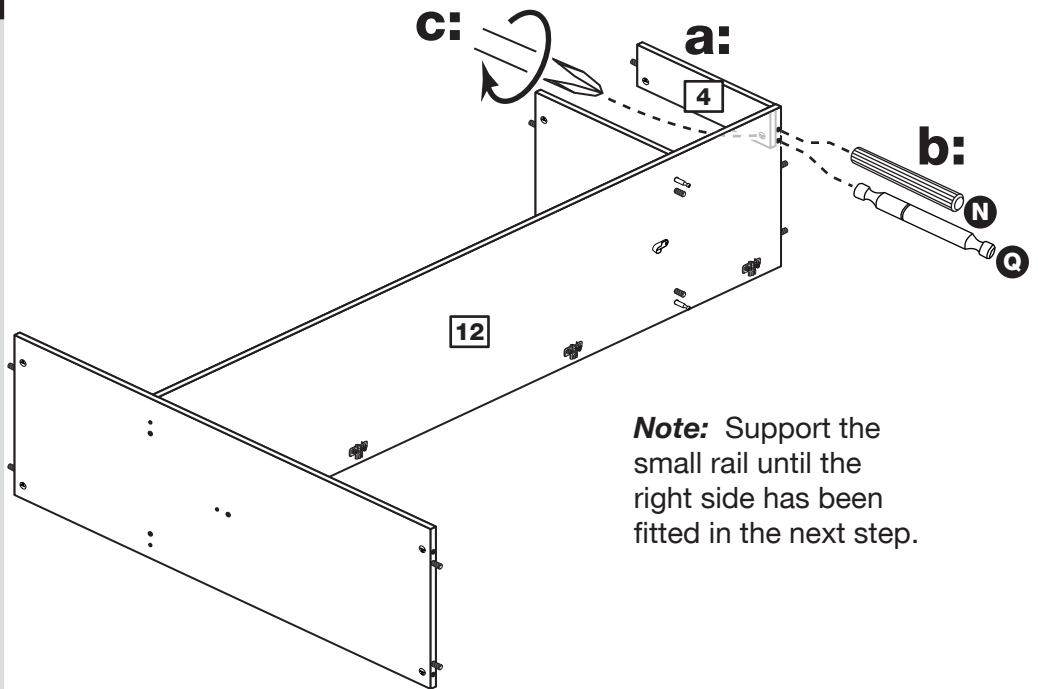
Fit the small rail

a: Position the small rail **4** up against the 2 holes in the divider **12**.

b: Tap a double metal dowel **Q** through the divider **12** and into the small rail **4** until it "bottoms out".

Tap a large wooden dowel **N** through the divider **12** and into the small rail **4** until it "bottoms out".

c: Use a screwdriver to tighten the large locking nut **B** fitted to the small rail **4**.



Note: Support the small rail until the right side has been fitted in the next step.

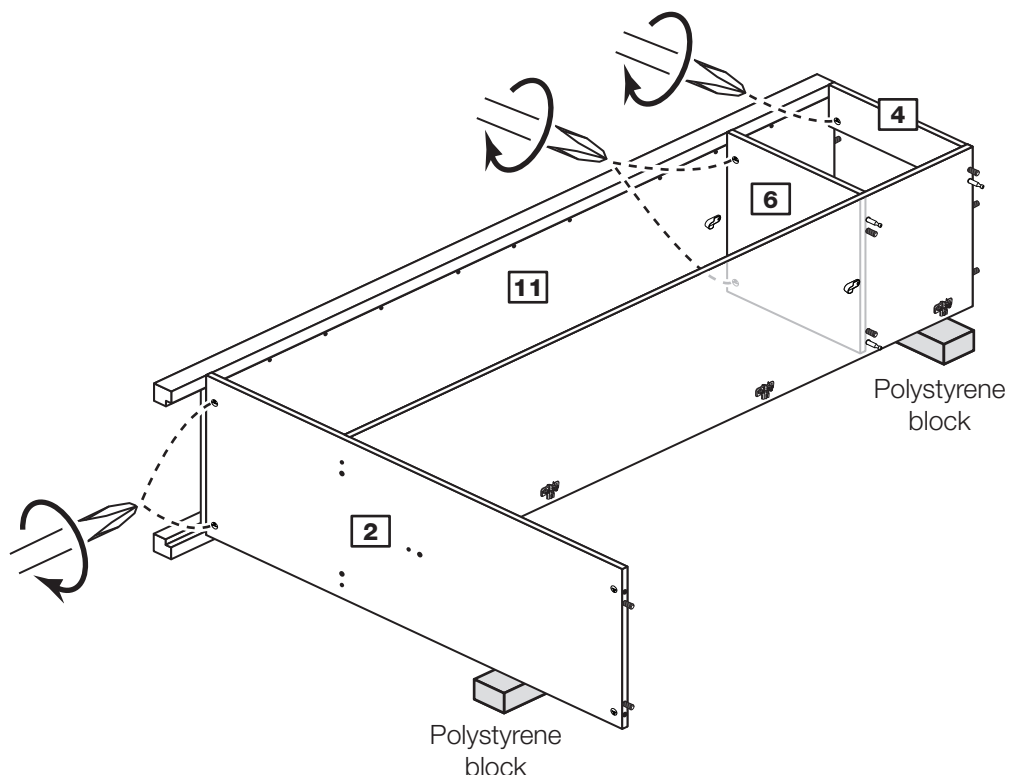
Step 12

Fit the right side

Note: To make the assembly easier, place polystyrene blocks from the packaging underneath the base and divider panels to raise the assembly.

Push the right side **11** onto the assembly.

Use a screwdriver to tighten the 5 large locking nuts **B** fitted to the base **2**, the small rail **4** and the small shelf **6**.



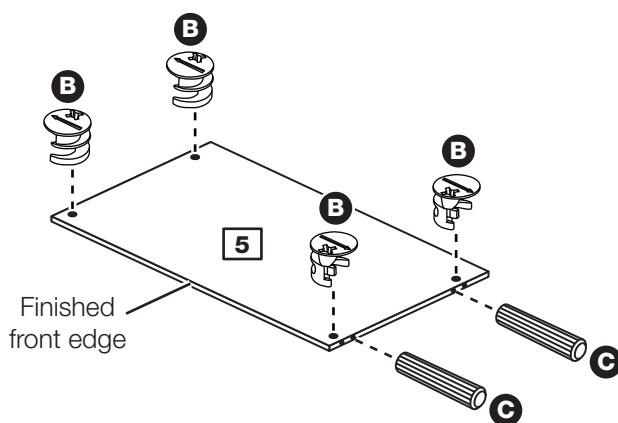
Assembly Instructions

Step 13

Prepare the large shelf

Insert 4 large locking nuts **B** into the large shelf **5**.

Tap 2 wooden dowels **C** into large shelf **5**.

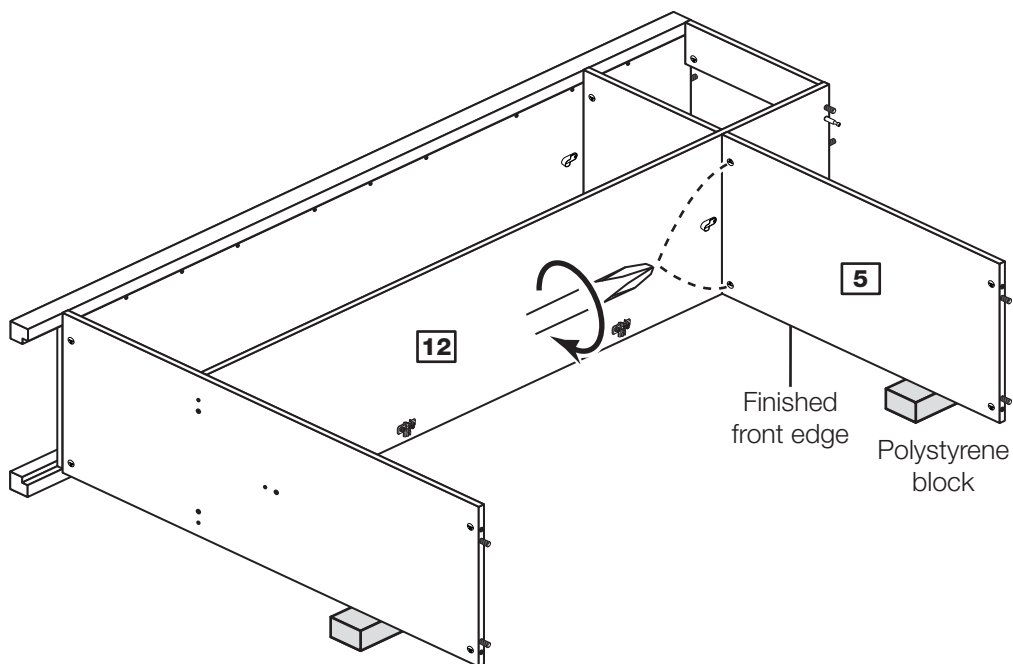


Step 14

Fit the right side

Push the large shelf **5** onto the divider **12**.

Use a screwdriver to tighten the 2 large locking nuts **B** fitted to the large shelf **5**.

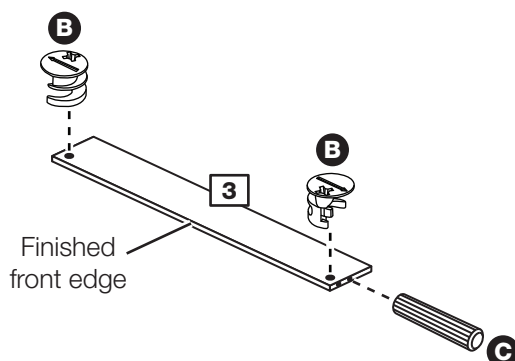


Step 15

Prepare the large rail

Insert 2 large locking nuts **B** into the large rail **3**.

Tap a wooden dowel **C** into large rail **3**.



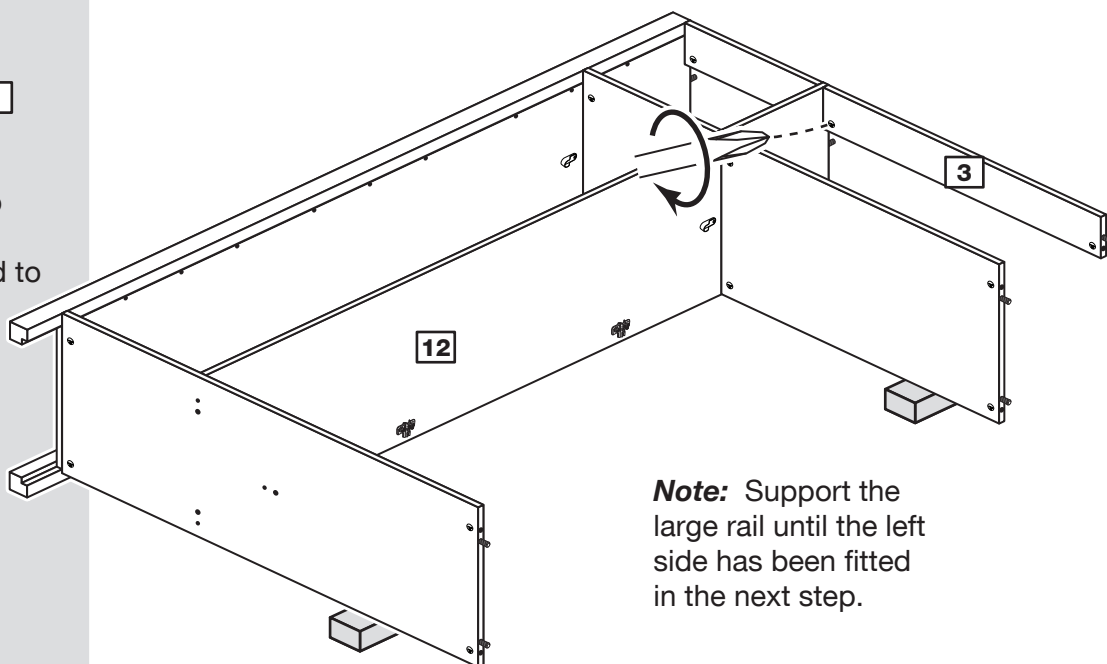
Assembly Instructions

Step 16

Fit the large rail

Push the large rail **3** onto the divider **12**.

Use a screwdriver to tighten the 2 large locking nuts **B** fitted to the large rail **3**.



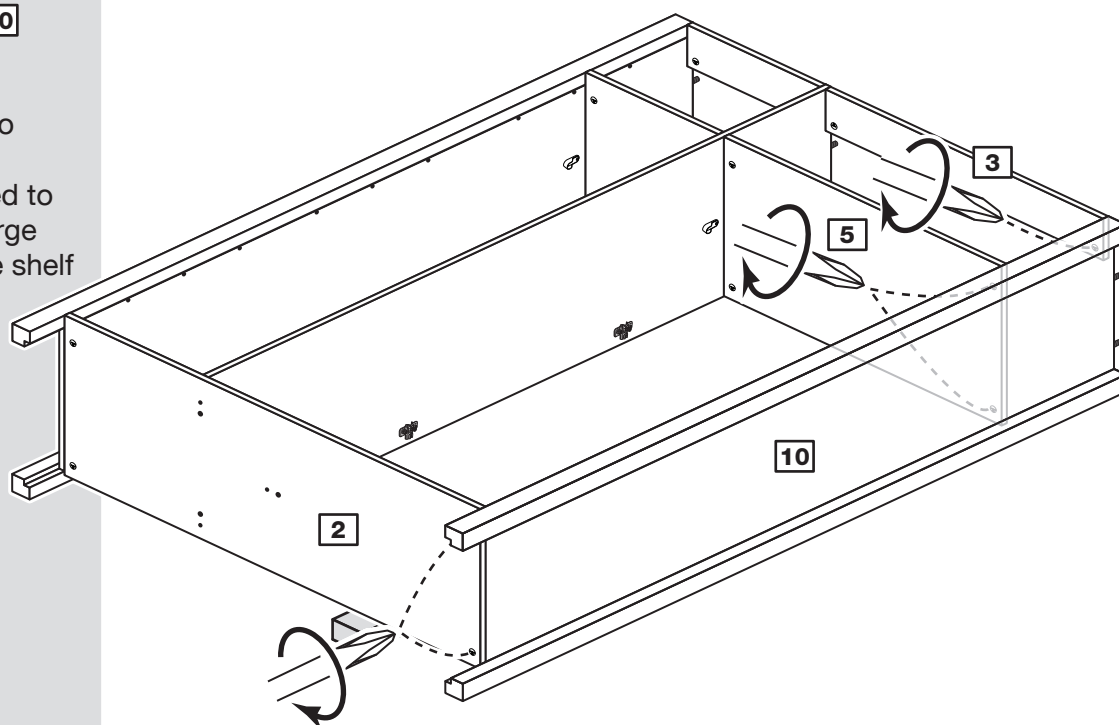
Note: Support the large rail until the left side has been fitted in the next step.

Step 17

Fit the left side

Push the left side **10** onto the assembly.

Use a screwdriver to tighten the 5 large locking nuts **B** fitted to the base **2**, the large rail **3** and the large shelf **5**.

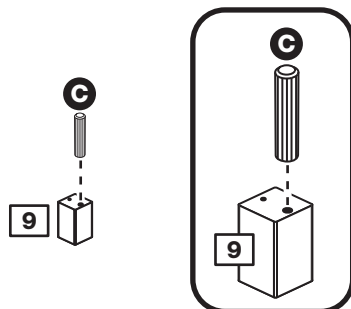


Assembly Instructions

Step 18

Prepare the foot

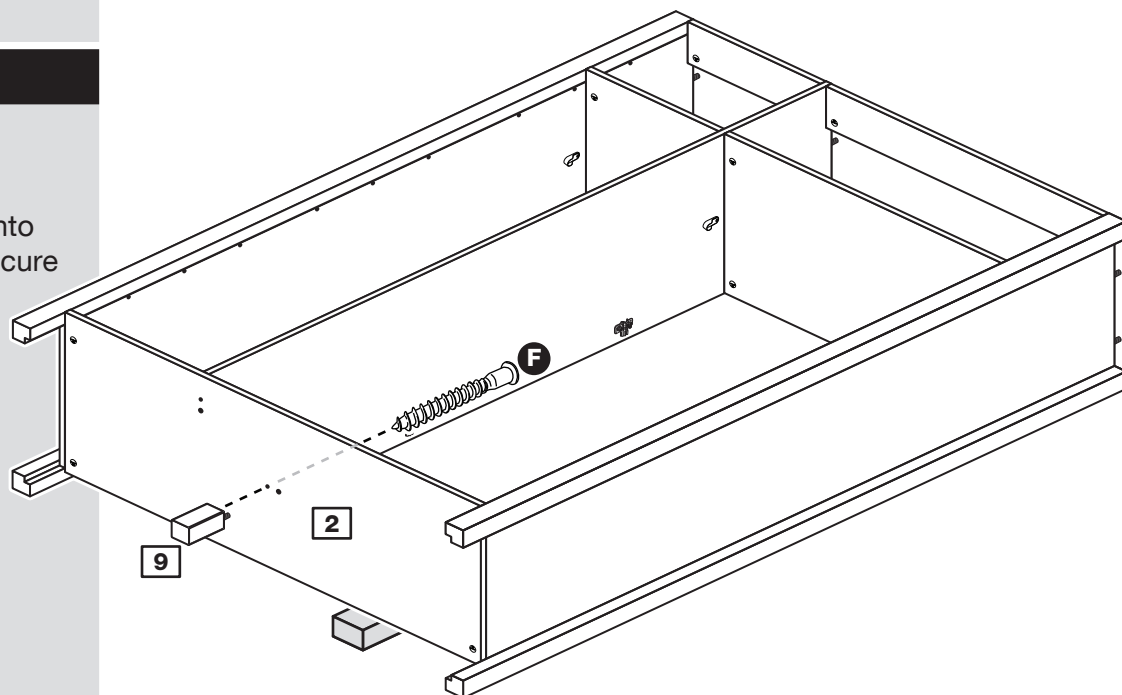
Tap a wooden dowel **C** into the foot **9**.



Step 19

Fit the foot

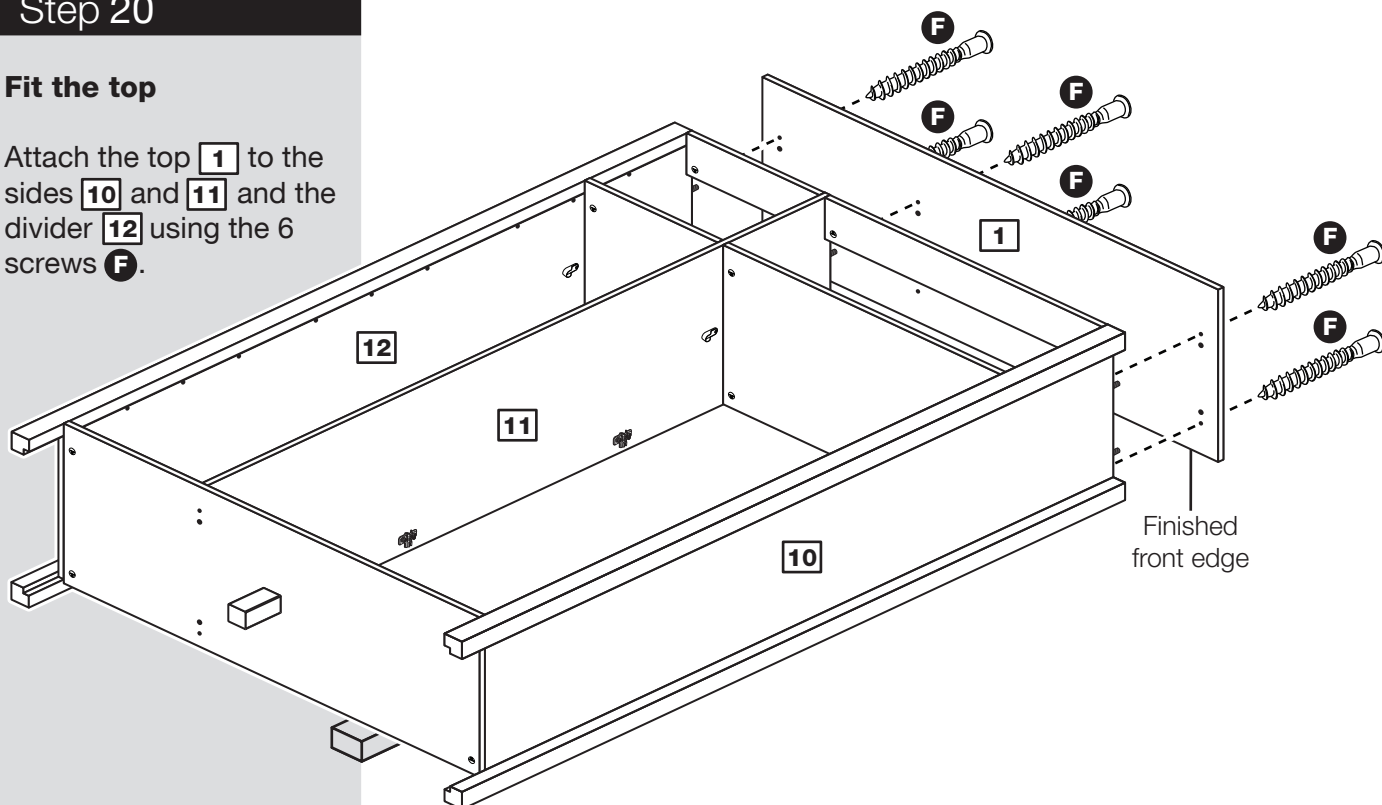
Push the foot **9** onto the base **2** and secure it using screw **F**.



Step 20

Fit the top

Attach the top **1** to the sides **10** and **11** and the divider **12** using the 6 screws **F**.



Assembly Instructions

Step 21

Fit the 2 back panels

a: Square up the unit by making sure that measurement **x:x equals y:y**.

Place the small back **16** and large back **17**, coloured surface facing down, onto the unit as shown.

Make sure that the 2 backs are pushed up tight against each other and that they meet in the centre of the divider's back edge.

b: Nail **E** around the outside edges of the 2 backs.

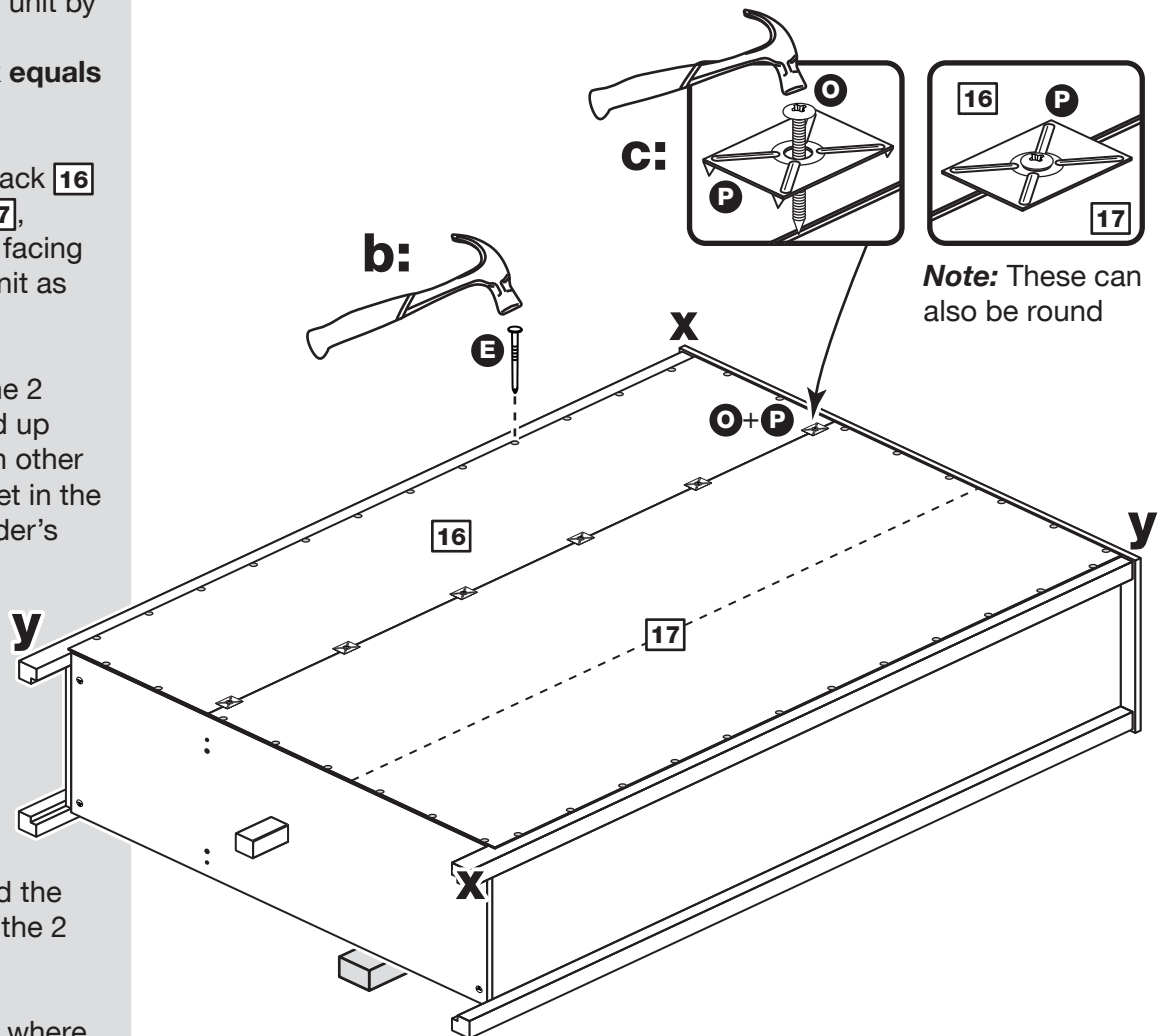
Note: Do not nail where the 2 backs meet.

c: Push the nail screws **O** through the back holders **P** and tap them down between the small back **16** and large back **17** and into the back edge of the divider **12**.

Keep tapping the nail screws **O** in until the back holders **P** dig into the small and large back.

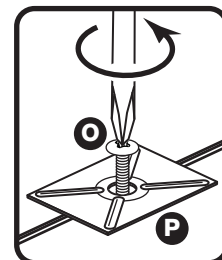
Carefully stand the unit up for the next step.

a: The measurement from top corner X to bottom corner X must be equal to the measurement from top corner Y to bottom corner Y



Warning: The unit is heavy. Lift with care.

Note: If ever you need to take the backs off to dismantle the unit, the nail screws can be taken out using a screwdriver.

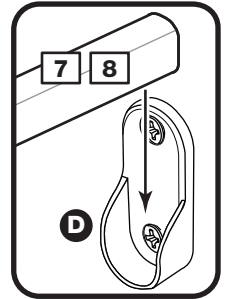
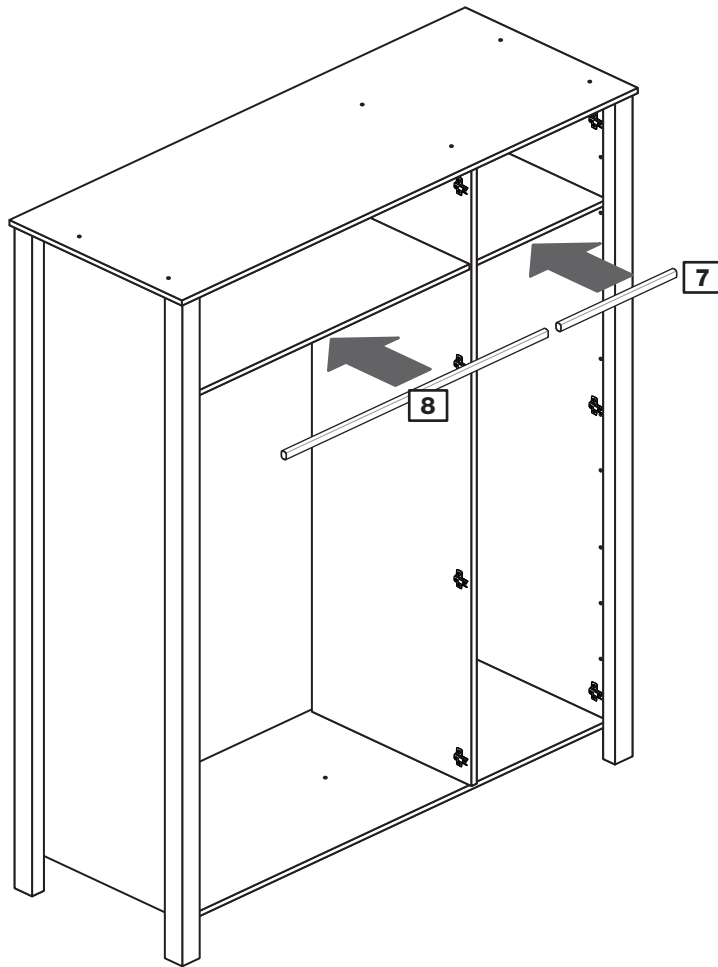


Assembly Instructions

Step 22

Fit the hanging rails

Push the 2 hanging rails **7** and **8** into the rail holders **D**.



Assembly Instructions

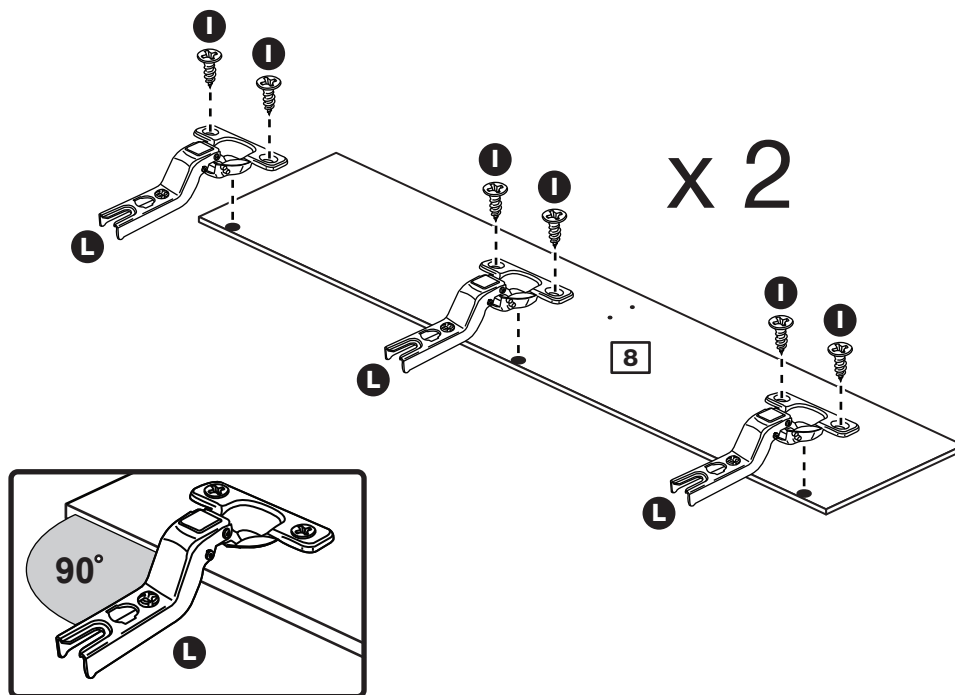
Step 23

Prepare the 2 plain doors

Push fit 3 hinges **L** into each of the 2 plain doors **14**.

Secure each hinge with 2 screws **I**.

Note: Before securing with the screws, make sure that the hinges are positioned at 90 degrees with the edge of the door.



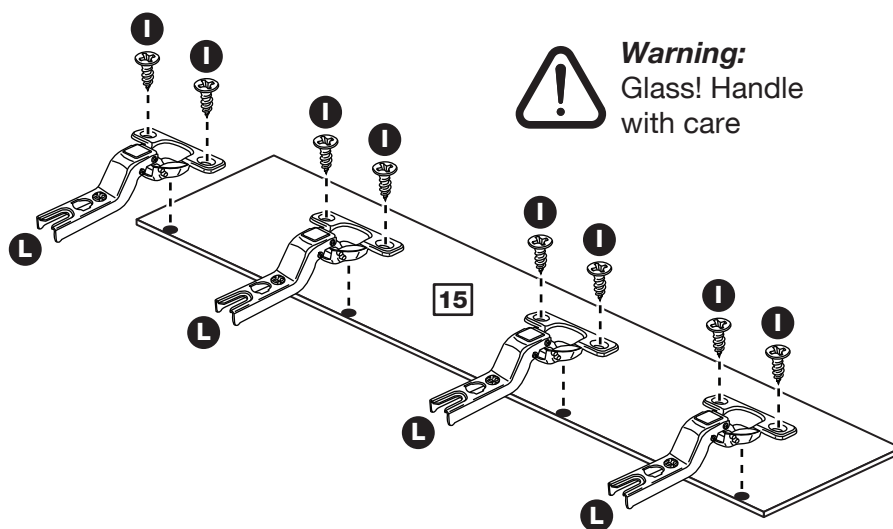
Step 24

Prepare the mirror door

Push fit 4 hinges **L** into the mirror door **15**.

Secure each hinge with 2 screws **I**.

Note: Before securing with the screws, make sure that the hinges are positioned at 90 degrees with the edge of the door.



Assembly Instructions

Step 25

Fit doors and handles

Note: The easiest way to attach each door **14** and **15** is to fit the top hinge first, then align and fit the other hinges.

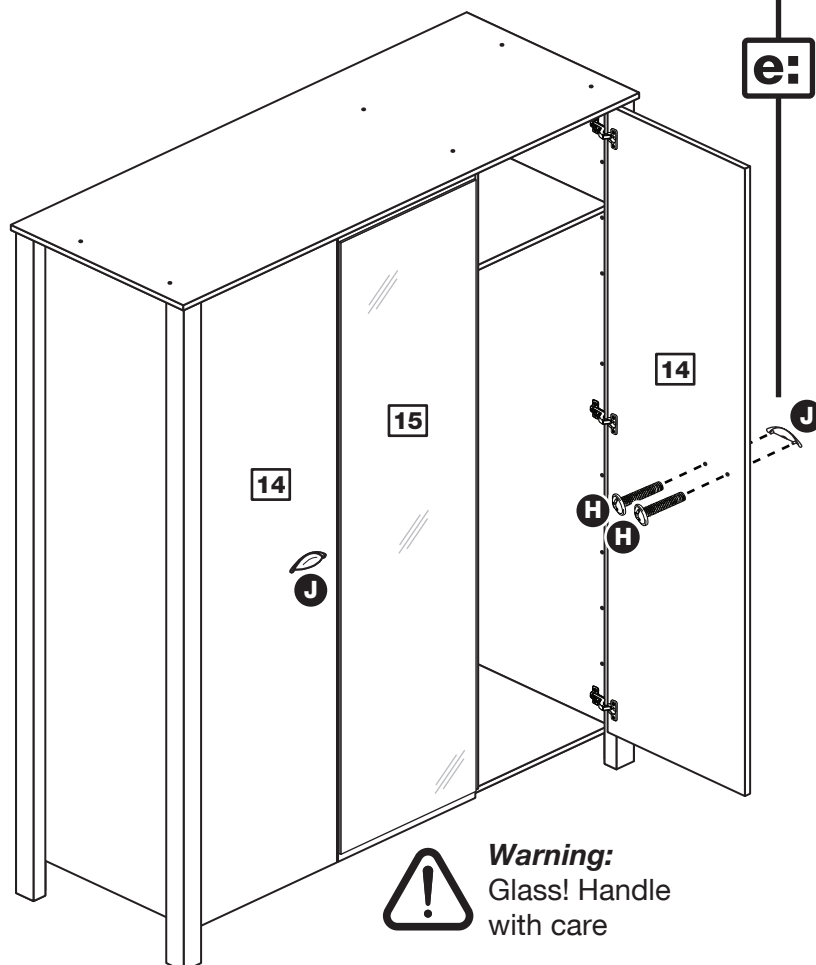
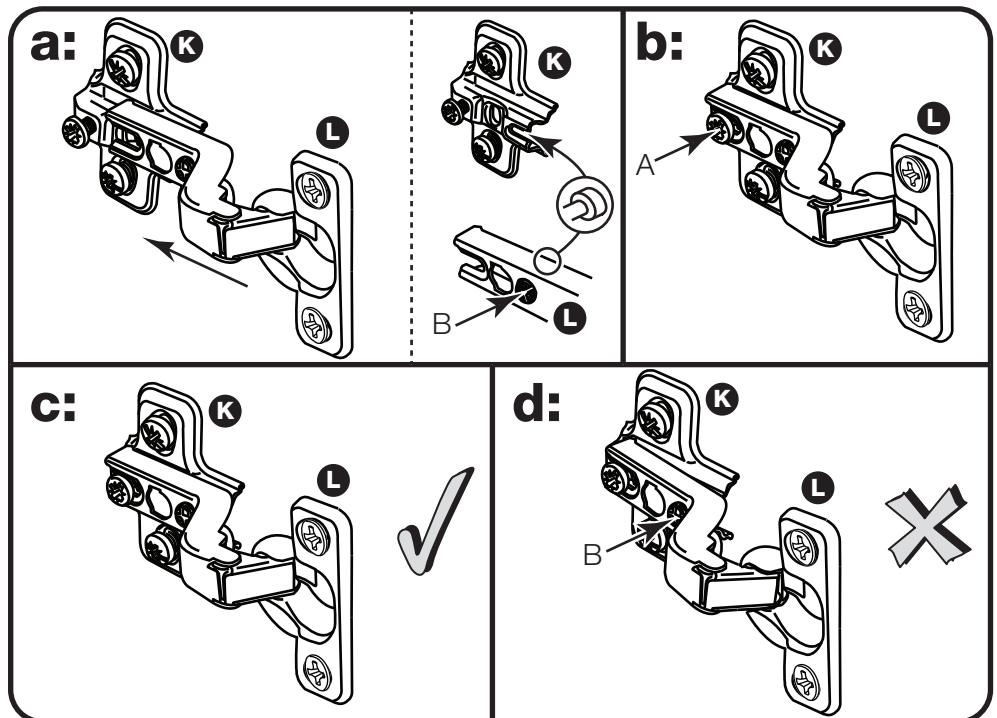
a: Push the hinge **L** onto the front part of the hinge plate **K**. The recess at the bottom of screw **B** goes into the slot in the hinge plate.

b: Keep the hinge **L** FLAT against the hinge plate **K** as you slide it across as far as it will go. Tighten screw **A**.

c: The hinge **L** must be flat against the hinge plate **K** prior to any adjustment.

d: The hinge **L** must NOT be AT AN ANGLE to the hinge plate **K** when assembled. This would indicate that the recess at the bottom of screw **B** had not located in the slot in the hinge plate and the hinge would not be secure. Remove the hinge from the hinge plate and then re-assemble being careful to follow instructions a-c.

e: Attach a handle **J** to each of the 2 plain doors **14** using screws **H**.



Warning:
Glass! Handle
with care

Assembly Instructions

Step 26

Adjust the doors if needed

a: Before adjusting the doors, use a spirit level to check the base (or top) of the unit is level, front-to-back and side-to-side in the 3 positions shown. Use suitable packing pieces (not supplied) to make the unit level BEFORE making any adjustment to the hinges, as shown.

b: Height adjustment.

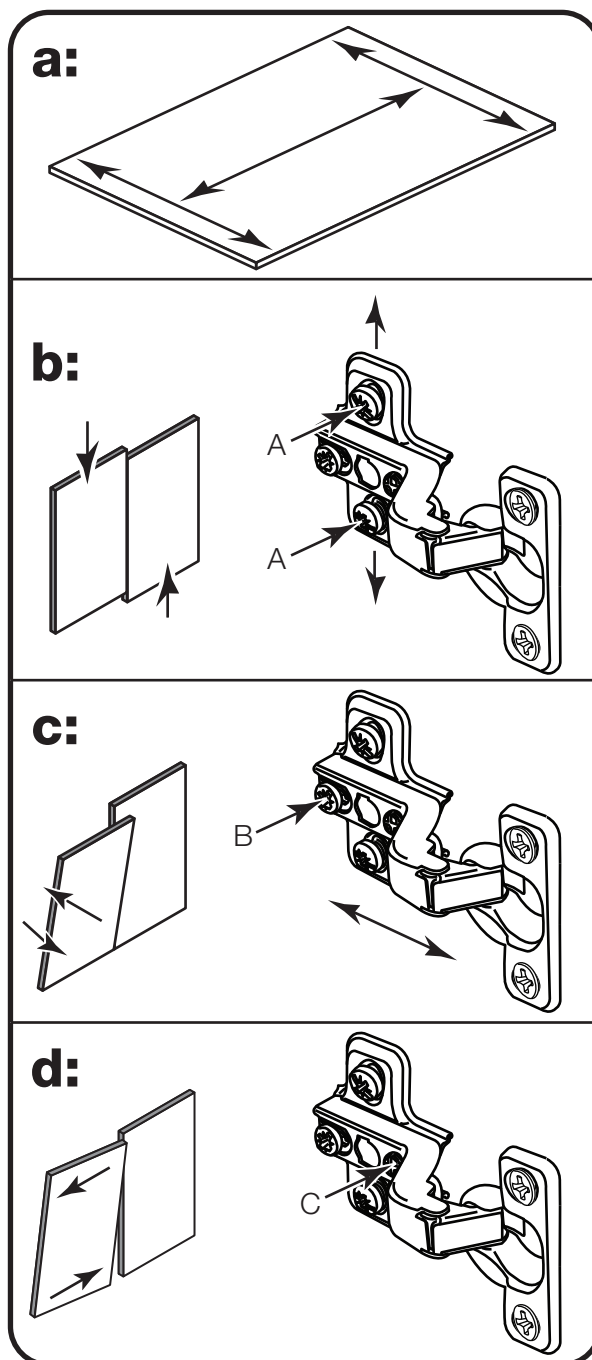
Loosen screws A on hinge plates and move door up or down as required. Retighten screw A.

c: Forward and Back adjustment.

Loosen screw B on hinge plate and move door in or out as required. Retighten screw B.

d: Sideways adjustment.

To move door 'out' loosen screw C. To move door 'in' tighten screw C.



Assembly Instructions

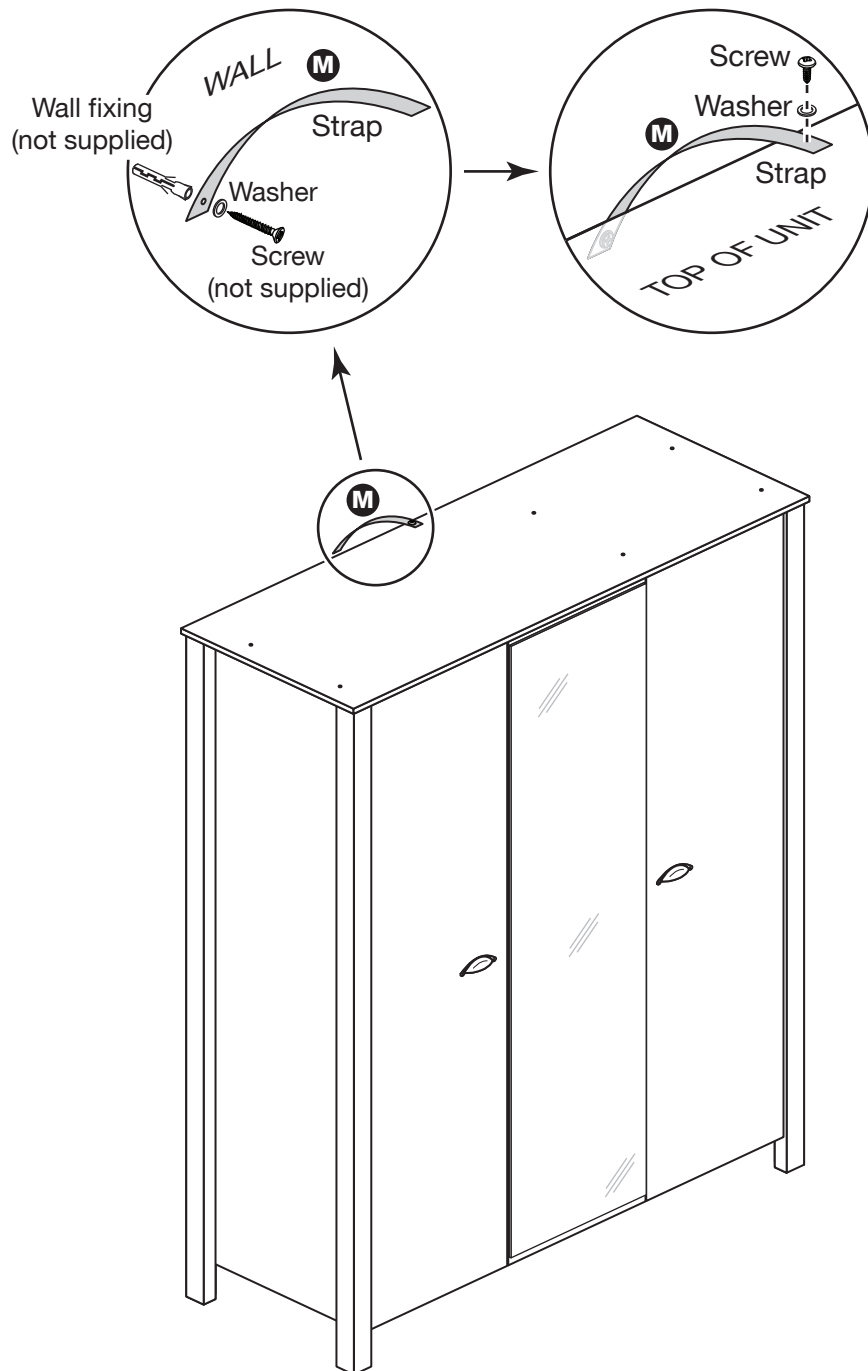
Step 27

Fit the overbalance protector

To prevent possible overbalancing we recommend that this unit is secured to a suitable wall by fitting of the overbalance protector kit **M** to the unit, or an alternative fixing method of your choice.

Wall fixings are not supplied as they will need to suit the wall type.

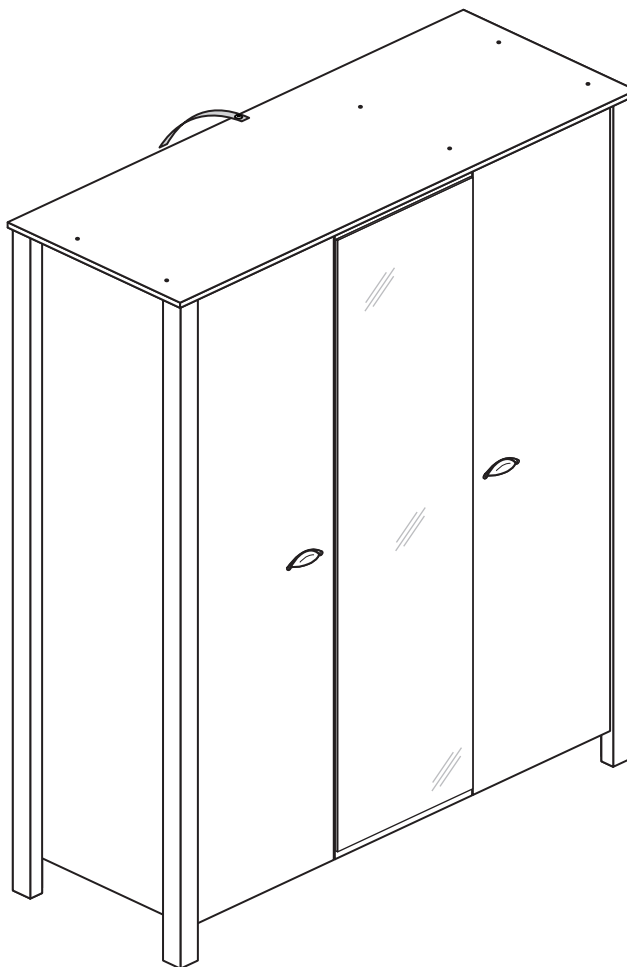
Note: Take care when drilling the wall that you do not drill into any pipes, wires etc. If in doubt, consult an expert.



Assembly Instructions

Step 28

Assembly is complete



IMPORTANT INFORMATION ABOUT THIS PRODUCT

This product complies with the requirements of BS 7449:1991 and has been manufactured by DECORATIVE PANELS FURNITURE LTD, TEESIDE INDUSTRIAL ESTATE, THORNABY-ON-TEES, CLEVELAND, TS17 9LT.

The product code for this unit and the item code(s) for the glass components are listed in the Assembly Instructions along with a description of the type of glass used. All clear/tinted glass complies with the requirements of BS 6206 Class A. All mirrors comply with the requirements of BS 6206 Class C. If the glass component contained in this unit is chipped or broken consult the furniture manufacturer, retailer, or agent with regard to obtaining a manufacturing specification and shape for replacement glass quoting the unit description and batch number or date of manufacture.

Do not place very hot or very cold items against or in close proximity to glass surface(s) unless adequately thick insulating material is used to prevent such items coming in contact with the glass.

Do not strike the glass with hard or pointed items.

Do not sit or stand upon horizontal glass surfaces.

When cleaning glass panels use a damp cloth or leather with washing up liquid or soft soap if necessary - do not use washing powders or any other substance containing abrasives since these substances scratch glass.

If stated in the instruction leaflet, it is essential that this unit is fixed to a wall.

KEEP THESE INSTRUCTIONS FOR FUTURE USE

If you need help or have damaged or missing parts, please visit www.argos-support.co.uk or email: Help@ClickSpares.co.uk (quoting your original order number)

Alternatively, call the Spares Helpline on: 0370 112 1928.

For any other queries please contact the Customer Helpline on: 0345 640 2020

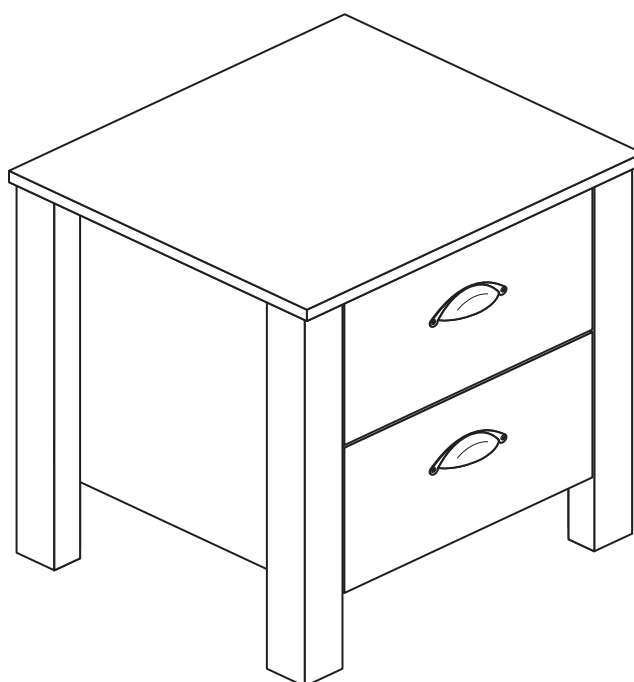
Marlow - 2 Drawer Bedside

Assembly Instructions - Please keep for future reference

417/7654

404/2576

413/4219



Dimensions

Width - 44.5cm

Depth - 39.5cm

Height - 50.5cm



**MADE IN
BRITAIN**

Important - Please read these instructions fully before starting assembly

If you need help or have damaged or missing parts, please visit www.argos-support.co.uk or email: Help@ClickSpares.co.uk (quoting your original order number)

Alternatively, call the Spares Helpline on: 0370 112 1928.

For any other queries please contact the Customer Helpline on: 0345 640 2020



Safety and Care Advice

Important - Please read these instructions fully before starting assembly

- **Warning:** This unit weighs approximately 13kgs. Please lift with care.

- Check you have all the components and tools listed on pages 2 and 3.

- Remove all fittings from the plastic bags and separate them into their groups.

- Keep children and animals away from the work area, small parts could choke if swallowed.

- Parts of the assembly will be easier with 2 people.

- Make sure you have enough space to layout the parts before starting.

- Do not stand or put weight on the product, this could cause damage.

- Assemble the item as close to its final position (in the same room) as possible.

- Assemble on a soft level surface to avoid damaging the unit or your floor (use opened out unit carton).



- We do not recommend the use of power drill/drivers **for inserting screws**, as this could damage the unit. Only use hand screwdrivers.

- **Safety note:** If there is any chance of this unit being pulled over by children etc. it is recommended that the unit is secured to a wall using suitable fixings (not supplied).

- Dispose of all packaging carefully and responsibly.

Care and maintenance

- Only clean using a damp cloth and mild detergent, do not use bleach or abrasive cleaners.

- From time to time check that there are no loose screws on this unit.

- This product should not be discarded with household waste. Take to your local authority waste disposal centre.

Note: If required the next page can be cut out and used as reference throughout the assembly. Keep this page with these instructions for future reference.

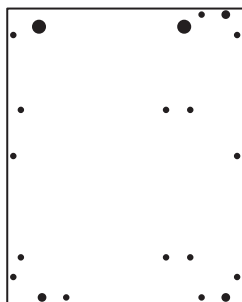
Components - Panels

If you need help or have damaged or missing parts, please visit www.argos-support.co.uk or email: Help@ClickSpares.co.uk (quoting your original order number)

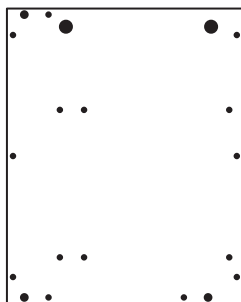
Alternatively, call the Spares Helpline on: 0370 112 1928.

For any other queries please contact the Customer Helpline on: 0345 640 2020

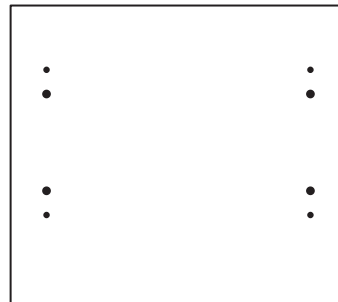
Please check you have all the panels listed below



1 Left Side (DF3595)
(39 x 31.2cm)



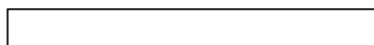
2 Right Side (DF3596)
(39 x 31.2cm)



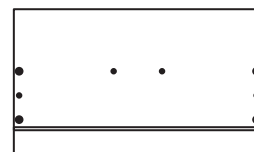
3 Top (DF3594)
(44.4 x 39.4cm)



4 Rail (DF3597)
(33.4 x 11.9cm) x 3



5 Leg (DF3599)
(49 x 5cm) x 4



6 Drawer Front (DF3598)
(32.8 x 19.2cm) x 2



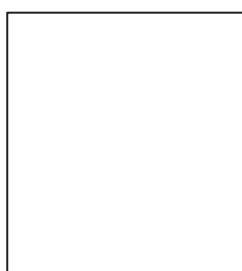
7 Left Drawer Side (W350-124LH)
(35 x 12.4cm) x 2



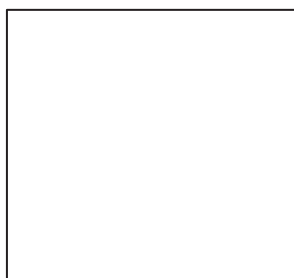
8 Right Drawer Side (W350-124RH)
(35 x 12.4cm) x 2



9 Drawer Back (W301-124)
(30.1 x 12.4cm) x 2



10 Drawer Base (T312-347)
(31.2 x 34.7cm) x 2



11 Back (X385-260)
(38.5 x 36cm)



Components - Fittings

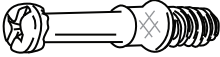


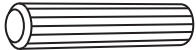
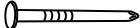








If you need help or have damaged or missing parts, please visit www.argos-support.co.uk or email: Help@ClickSpares.co.uk (quoting your original order number)

Alternatively, call the Spares Helpline on: 0370 112 1928.

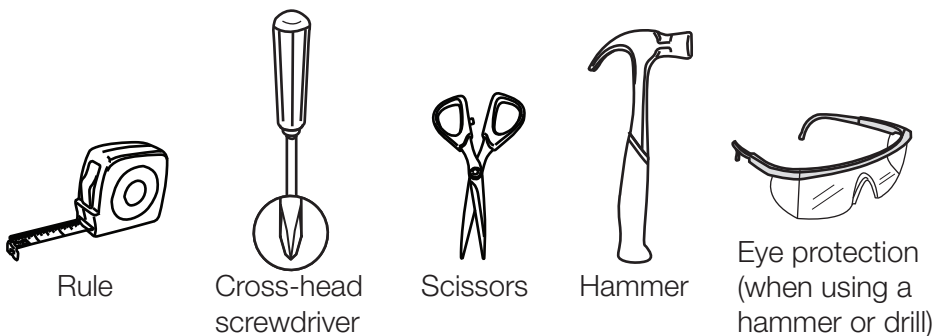
For any other queries please contact the Customer Helpline on: 0345 640 2020

Please check you have all the fittings listed below

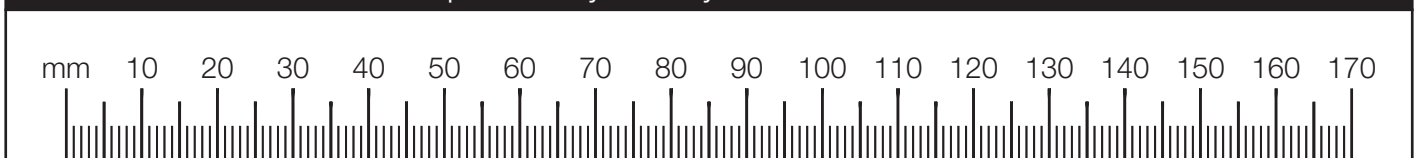
Note: The quantities below are the correct amount to complete the assembly. In some cases more fittings may be supplied than are required.

<p>A </p> <p>Metal dowel (F901) x 14</p>	<p>B </p> <p>Large locking nut (F900) x 10</p>	<p>C </p> <p>Small locking nut (F3) x 4</p>
<p>D </p> <p>Wooden dowel (F22) x 10</p>	<p>E </p> <p>Nail (F51) x 10</p>	<p>F </p> <p>Knock-in Peg (F171GY) x 8</p>
<p>G </p> <p>38mm Screw (F81) x 12</p>	<p>H </p> <p>19mm Screw (F461) x 4</p>	<p>I </p> <p>9mm Screw (F73) x 8</p>
<p>J </p> <p>9mm Screw (F74) x 4</p>	<p>K </p> <p>Wedgex (F639) x 4</p>	<p>L </p> <p>Handle (F449) x 2</p>
<p>M </p> <p>Drawer runner (F1004) x 4</p>		

Tools required



Ruler - Use this ruler to help correctly identify the screws



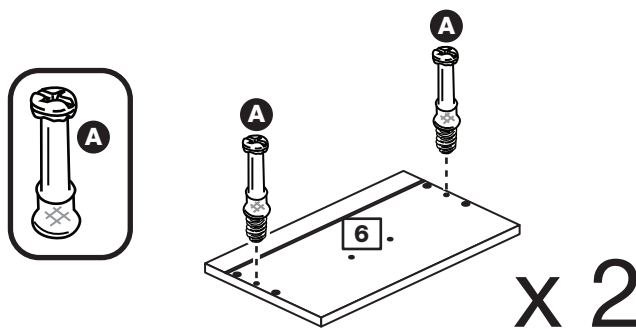
Assembly Instructions

Step 1

Prepare the 2 drawer fronts

Screw 2 metal dowels **A** into each of the drawer fronts **6**.

Note: Tighten the metal dowels up fully against the panels.

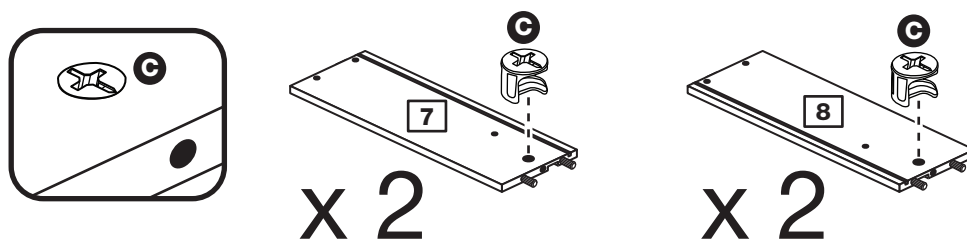


Step 2

Prepare the drawer sides

Insert a small locking nut **C** into the hole shown on the left drawer side **7** and the right drawer side **8**.

Note: The arrow on the locking nut **must** point towards the hole in the edge of the panel.



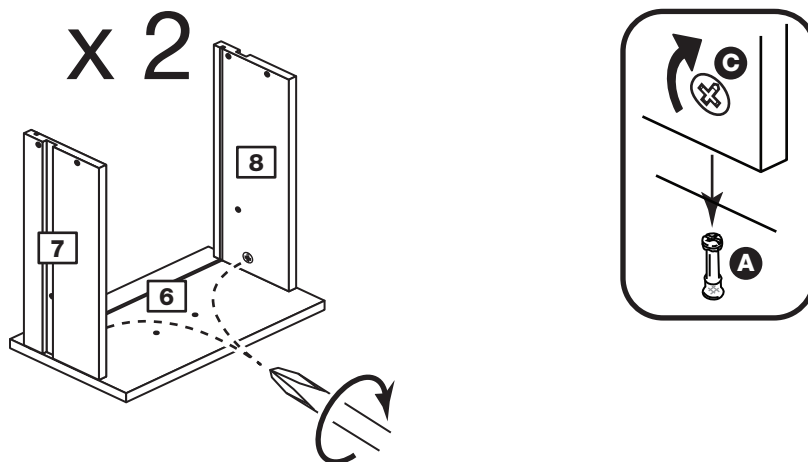
Step 3

Attach the drawer sides to the drawer fronts

Push the left drawer sides **7** and right drawer sides **8** onto the back of the drawer fronts **6**.

Turn the small locking nuts **C** on the left drawer side **7** and right drawer side **8**.

Note: Turn the locking nuts **C** clockwise to secure panels - more than 1/2 a turn.

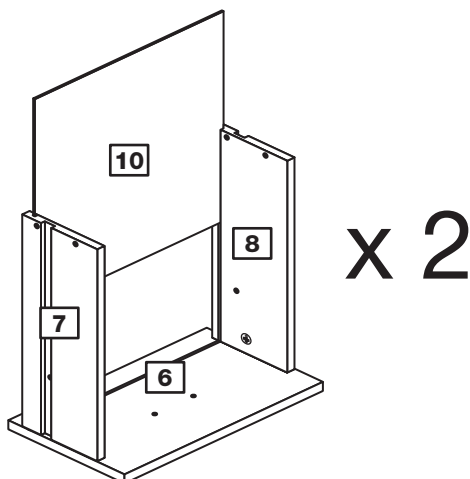


Assembly Instructions

Step 4

Fit the drawer base

Slide the drawer base **10** down the grooves in the drawer sides **7** and **8** and down into the groove in the drawer front **6**.

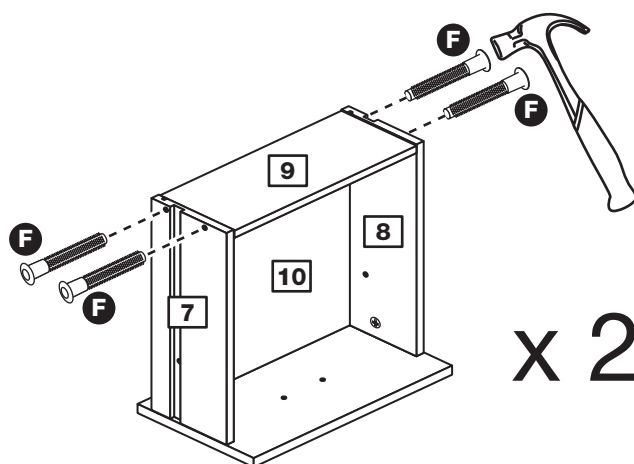


Step 5

Fit the drawer back

Fit the drawer back **9** between the drawer sides **7** and **8**. Make sure that the drawer base **10** fits into the groove in the drawer back **9**.

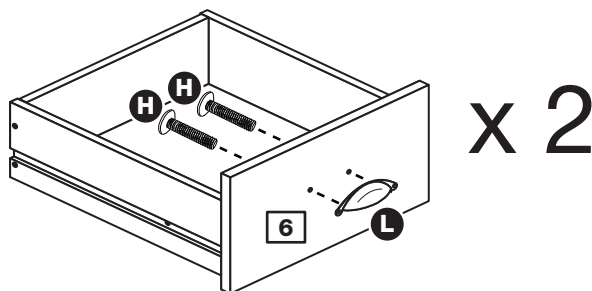
Hold the drawer back **9** in position and tap the knock-in pegs **F** through the holes in the drawer sides **7** and **8**.



Step 6

Attach the handles

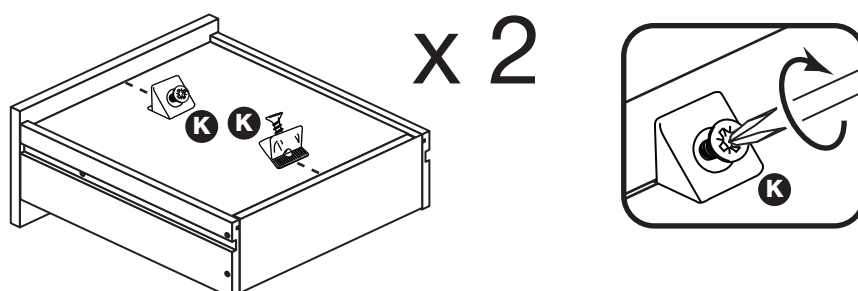
Attach a handle **L** to each of the drawer fronts **6** using screws **H**.



Step 7

Fit the wedgexes

Turn the drawer assemblies over and slide 2 wedgexes **K** into the front and back grooves, as shown, and tighten up the screws.



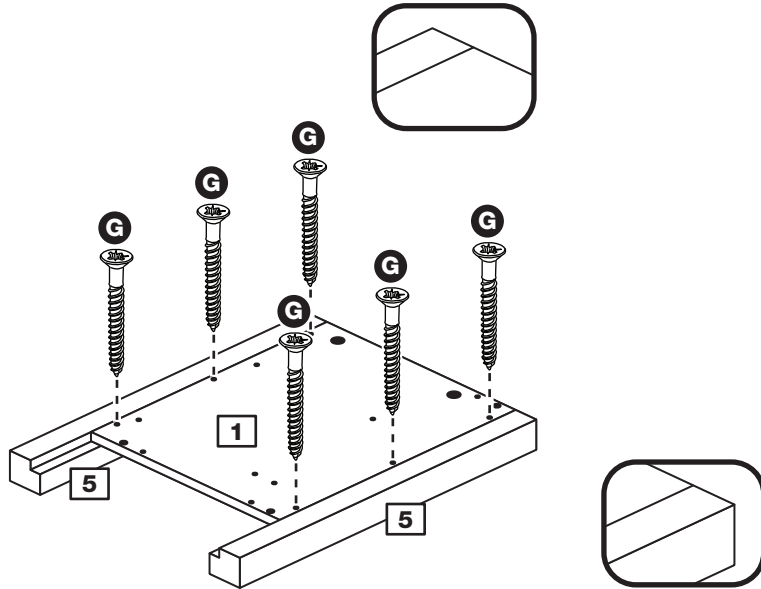
Assembly Instructions

Step 8

Fit 2 legs to the left side

Screw 2 legs **5** to the left side **1** using 6 screws **G**.

Note: The top of the legs must be flush with the top of the left side.

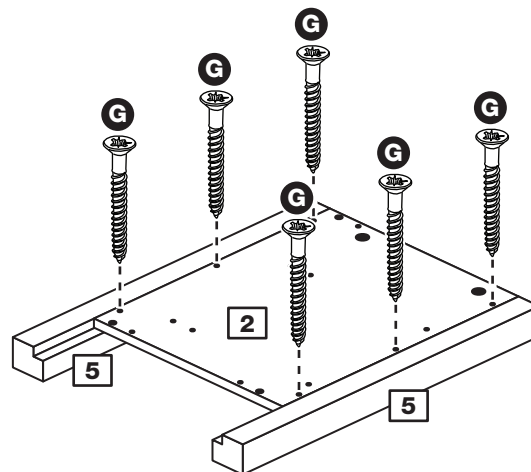


Step 9

Fit 2 legs to the right side

Screw 2 legs **5** to the right side **2** using screws **G**.

Note: The top of the legs must be flush with the top of the right side.



Assembly Instructions

Step 10

Prepare the left side

a: Place 2 runners **M** on the left side **1** as shown. Slide back the top of runner and use the 2nd hole from the front to fit the 1st screw **I**.

b: Slide the runner **M** back the other way and fit the 2nd screw **I** into the corresponding hole in the left side **1**.

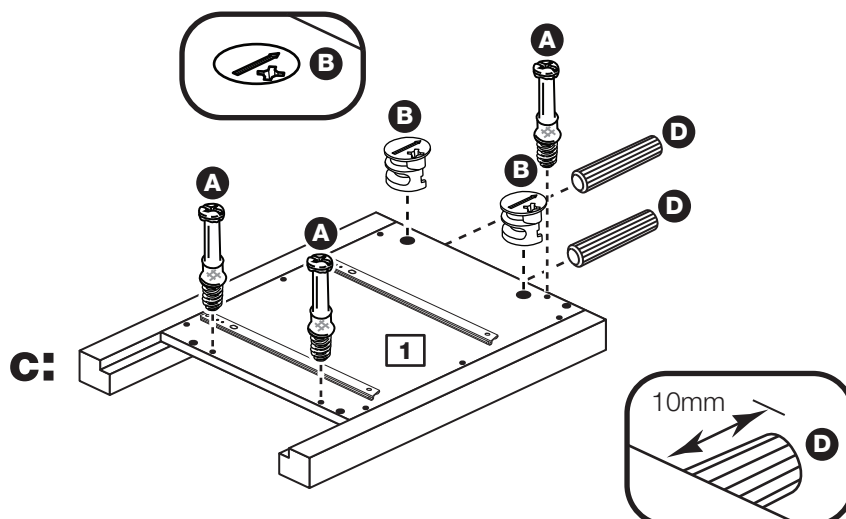
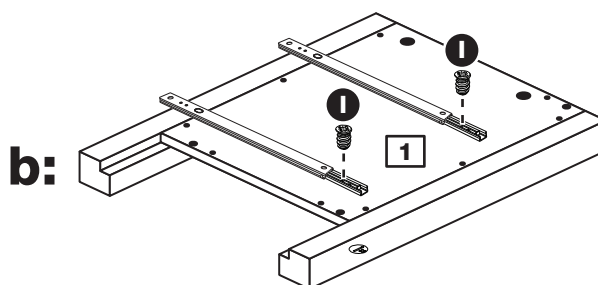
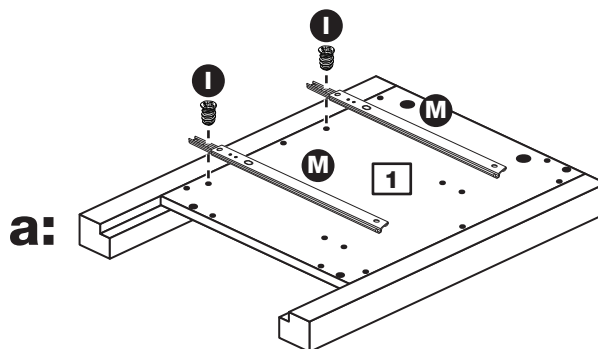
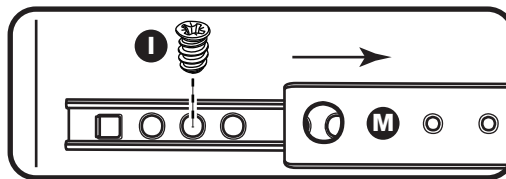
c: Screw 3 metal dowels **A** into the left side **1**.

Insert 2 large locking nuts **B** into the left side **1**.

Note: The arrow on the locking nuts **must** point towards the hole in the edge of the panel.

Tap 2 wooden dowels **D** into the left side **1**.

Note: Wooden dowels **must not** stick out from the edge by more than 10mm or they may damage other panels.



Assembly Instructions

Step 11

Prepare the right side

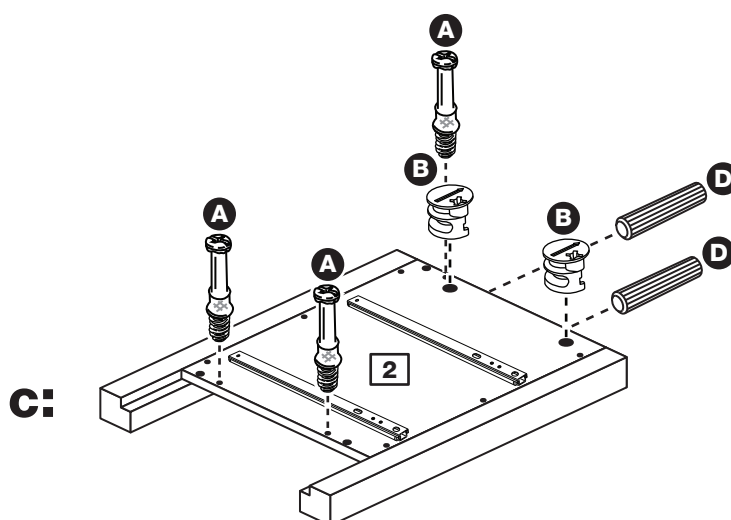
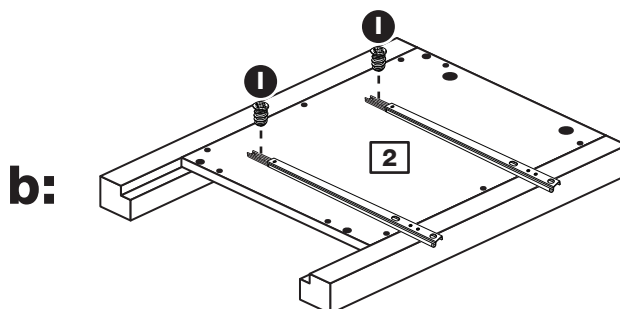
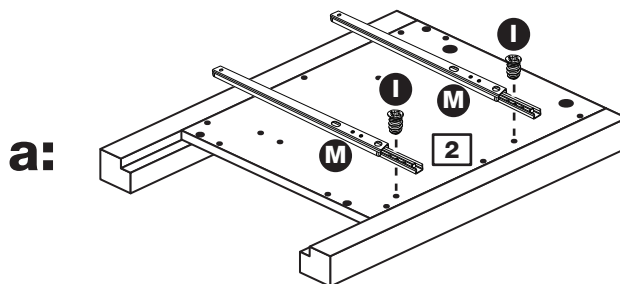
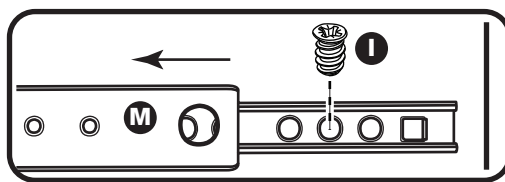
a: Place 2 runners **M** on the right side **2** as shown. Slide back the top of runner and use the 2nd hole from the front to fit the 1st screw **I**.

b: Slide the runner **M** back the other way and fit the 2nd screw **I** into the corresponding hole in the right side **2**.

c: Screw 3 metal dowels **A** into the right side **2**.

Insert 2 large locking nuts **B** into the right side **2**.

Tap 2 wooden dowels **D** into the right side **2**.



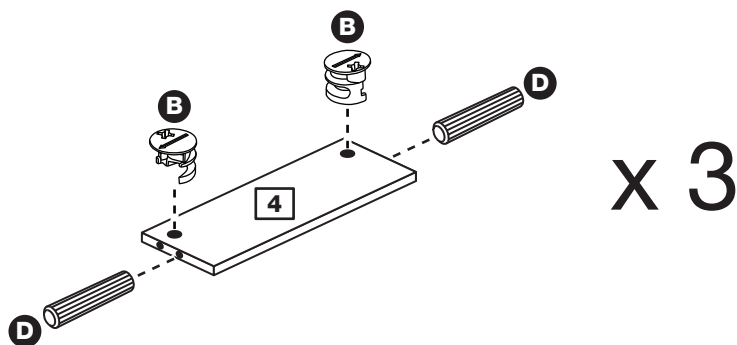
Assembly Instructions

Step 12

Prepare the 3 rails

Insert 2 large locking nuts **B** into each of the rails **4**.

Tap 2 wooden dowels **D** into each of the rails **4**.



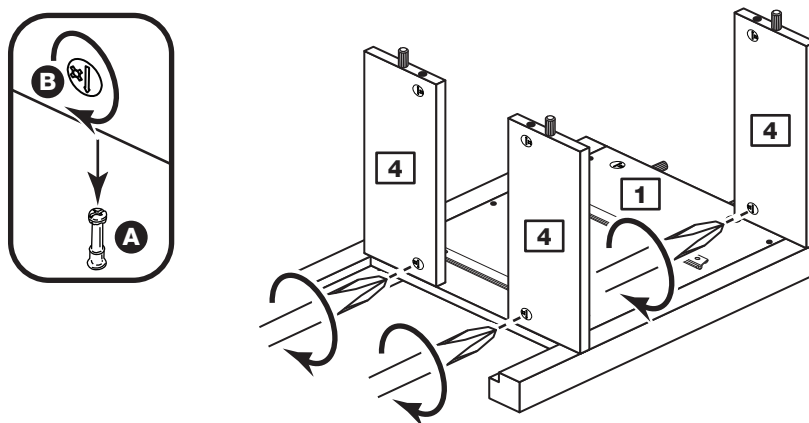
Step 13

Fit the rails

Push the 3 rails **4** onto the left side **1**.

Use a screwdriver to tighten the large locking nut **B** fitted to each of the 3 rails **4**.

Note: Turn the large locking nuts **B** as far as they will go - more than 1/2 a turn.



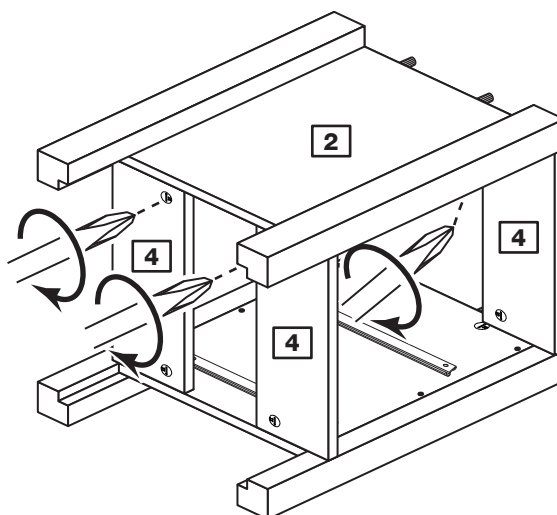
Step 14

Fit the right side

Push the right side **2** onto the 3 rails **4**.

Use a screwdriver to tighten the large locking nut **B** fitted to each of the 3 rails **4**.

Stand the unit up for the next step.

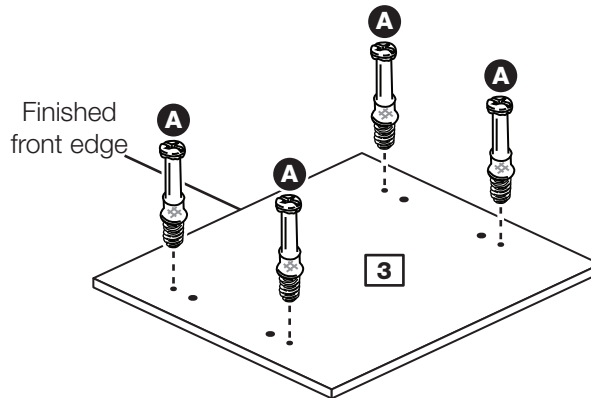


Assembly Instructions

Step 15

Prepare the top

Screw 4 metal dowels **A** into the top **3**.



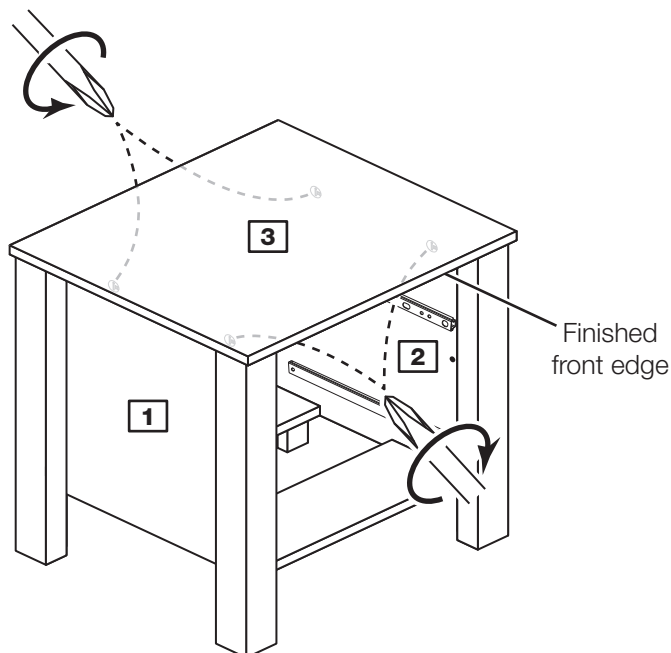
Step 16

Fit the top

Push the top **3** down onto the assembly.

Use a screwdriver to tighten the 2 large locking nuts **B** fitted to the left side **1** and the 2 large locking nuts **B** fitted to the right side **2**.

Lay the unit onto its front for the next step.



Assembly Instructions

Step 18

Fit the back

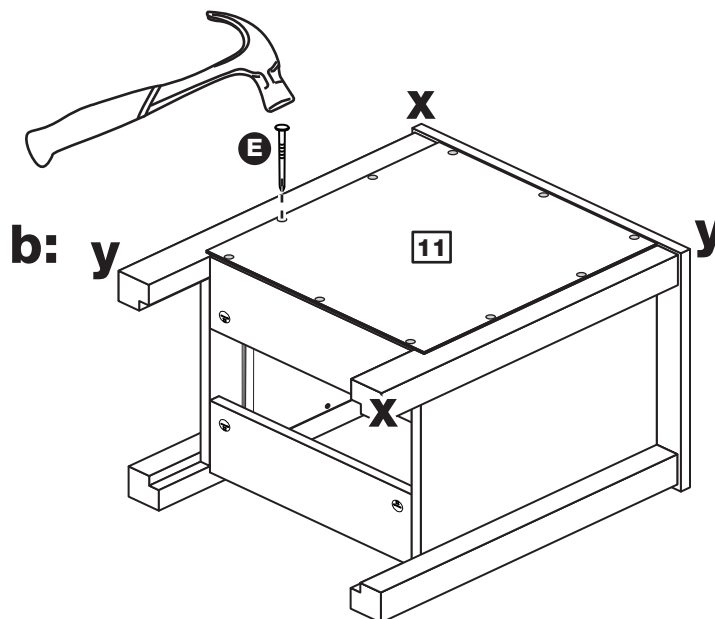
a: Square up the unit by making sure that measurement **x** to **x** equals **y** to **y**.

b: Place the back **11** onto the unit.

Nail **E** around the outside edges of the back **11**.

Stand the unit up for the next step.

a: The measurement from top corner X to bottom corner X must be equal to the measurement from top corner Y to bottom corner Y



Step 18

Fit the drawers

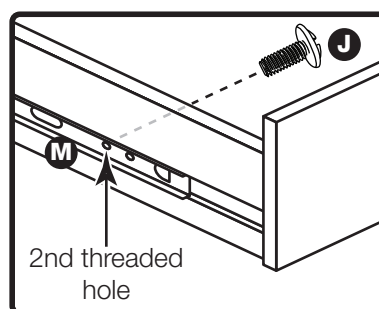
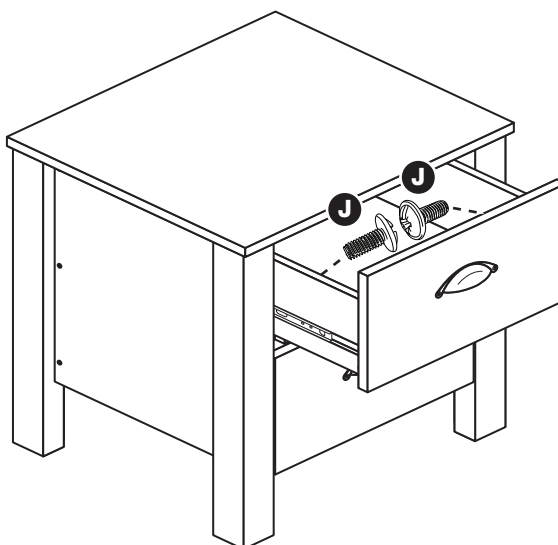
Starting with the bottom drawer, slide both the runners **M** forward and locate the drawer sides **7** and **8** between them, lining up the holes in the drawer wrap with the 2nd 'threaded' holes in the runners **M**.

Working from the inside of the drawer, insert 2 screws **J** through the drawer sides and out into the 2nd threaded hole in the runner.

Note: Do not overtighten the screws **J**.

If they catch on the runner you may need to loosen them slightly.

Assembly is complete



If you need help or have damaged or missing parts, please visit www.argos-support.co.uk or email: Help@ClickSpares.co.uk (quoting your original order number)
Alternatively, call the Spares Helpline on: 0370 112 1928.
For any other queries please contact the Customer Helpline on: 0345 640 2020

Marlow - 5+2 Drawer Chest

Assembly Instructions - Please keep for future reference

424/1195

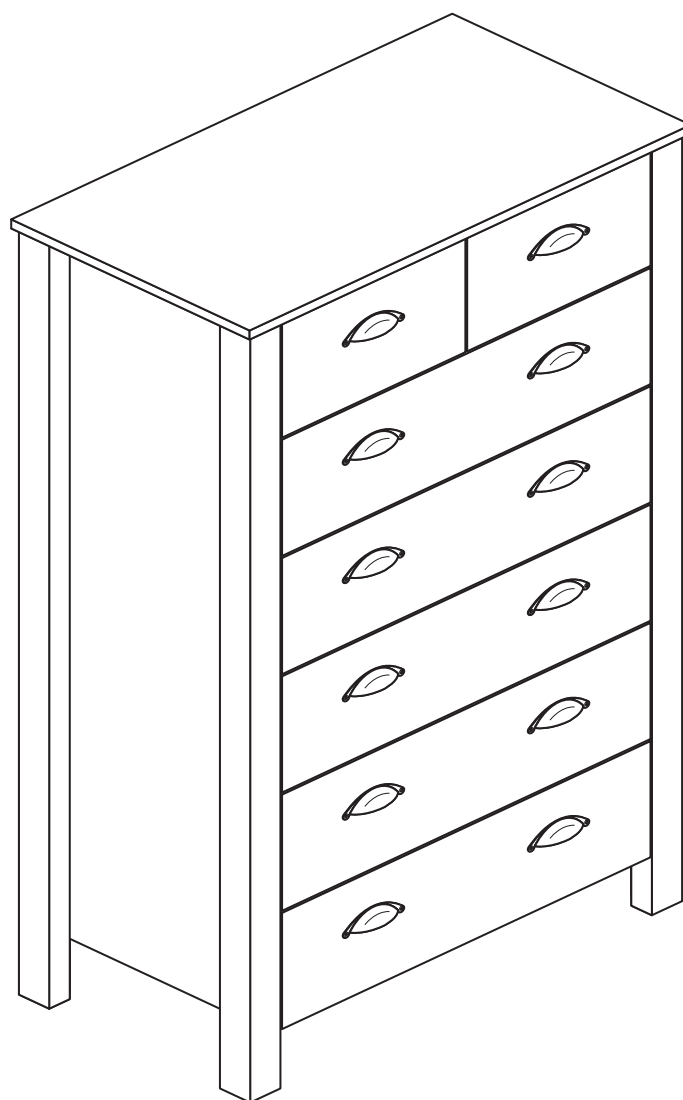
400/8785

402/4886

425/8267

404/8738

404/2954



Dimensions

Width - 72.9cm

Depth - 39.4cm

Height - 128.5cm



**MADE IN
BRITAIN**

Important - Please read these instructions fully before starting assembly

If you need help or have damaged or missing parts, call the **Customer Helpline: 03456 400800**



Safety and Care Advice

Important - Please read these instructions fully before starting assembly

- **Warning:** This unit weighs approximately 45kgs. Please lift with care.

- Check you have all the components and tools listed on pages 2 and 3.

- Remove all fittings from the plastic bags and separate them into their groups.

- Keep children and animals away from the work area, small parts could choke if swallowed.

- Parts of the assembly will be easier with 2 people.

- Make sure you have enough space to layout the parts before starting.

- Do not stand or put weight on the product, this could cause damage.

- Assemble the item as close to its final position (in the same room) as possible.

- Assemble on a soft level surface to avoid damaging the unit or your floor (use opened out unit carton).



- We do not recommend the use of power drill/drivers **for inserting screws**, as this could damage the unit. Only use hand screwdrivers.

- **Safety note:** It is recommended that this unit is secured to a wall using the overbalance protector kit supplied or, an alternative fixing method of your choice.

- Dispose of all packaging carefully and responsibly.

Care and maintenance

- Only clean using a damp cloth and mild detergent, do not use bleach or abrasive cleaners.

- From time to time check that there are no loose screws on this unit.

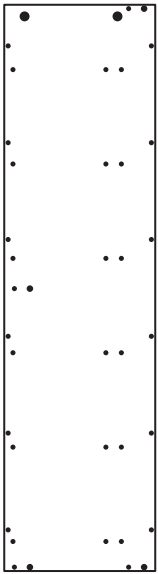
- This product should not be discarded with household waste. Take to your local authority waste disposal centre.

Note: If required the next page can be cut out and used as reference throughout the assembly. Keep this page with these instructions for future reference.

Components - Panels

If you have damaged or missing components, call the
Customer Helpline: 03456 400800 quoting the reference
numbers below

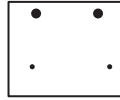
Please check you have all the panels listed below



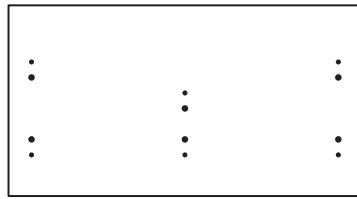
1 Left Side (DF3878)
(117 x 31.2cm)



2 Right Side (DF3879)
(117 x 31.2cm)



3 Divider (DF3680)
(19.5 x 23.6cm)



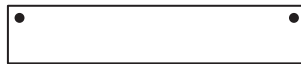
4 Top (DF3603)
(72.9 x 39.4cm)



7 Leg (DF3881)
(127 x 5cm) x 4



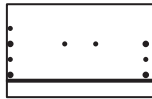
5 Front Rail (DF3606)
(61.5 x 7.8cm) x 2



6 Back Rail (DF3741)
(61.5 x 11.9cm) x 2



8 Left Drawer Front (DF3678)
(30.3 x 19.2cm)



9 Right Drawer Front (DF3679)
(30.3 x 19.2cm)



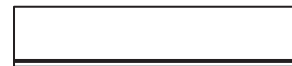
10 Small Drawer Back (W267-124)
(26.7 x 12.4mm) x 2



11 Small Drawer Base (T278-347)
(27.8 x 34.7mm) x 2



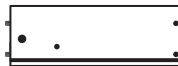
12 Large Drawer Front (DF3607)
(60.9 x 19.2cm) x 5



13 Large Drawer Back (W582-124)
(58.2 x 12.4mm) x 5



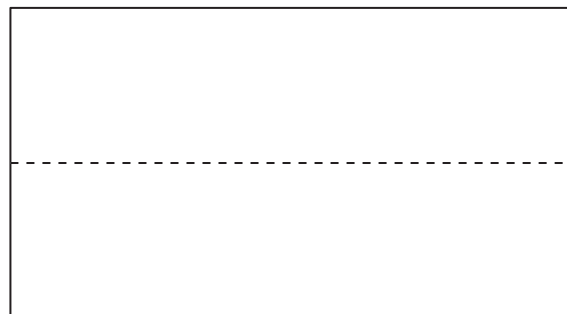
14 Large Drawer Base (T593-347)
(59.3 x 34.7mm) x 5



15 Left Drawer Side (W350-124LH)
(35 x 12.4cm) x 7



16 Right Drawer Side (W350-124RH)
(35 x 12.4cm) x 7



17 Back (X1165-641)
(116.5 x 64.1cm)

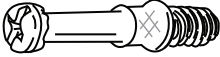



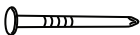








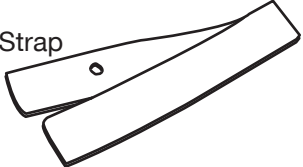




Components - Fittings

If you have damaged or missing components, call the **Customer Helpline: 03456 400800** quoting the reference numbers below

Please check you have all the fittings listed below

Note: The quantities below are the correct amount to complete the assembly. In some cases more fittings may be supplied than are required.

<p>A </p> <p>Metal dowel (F901) x 28</p>	<p>B </p> <p>Large locking nut (F900) x 14</p>	<p>C </p> <p>Small locking nut (F3) x 14</p>
<p>D </p> <p>Wooden dowel (F22) x 14</p>	<p>E </p> <p>Nail (F51) x 24</p>	<p>F </p> <p>Knock-in Peg (F171GY) x 28</p>
<p>G </p> <p>38mm Screw (F81) x 24</p>	<p>H </p> <p>19mm Screw (F461) x 24</p>	<p>I </p> <p>9mm Screw (F73) x 28</p>
<p>J </p> <p>9mm Screw (F74) x 14</p>	<p>K </p> <p>Wedgefix (F639) x 24</p>	<p>L </p> <p>Handle (F449) x 12</p>
<p>M </p> <p>Drawer runner (F1004) x 14</p>	<p>N </p> <p>Strap</p> <p> Screw  Washer x 2</p> <p>Overbalance protector kit (F269) x 1</p>	

Tools required



Rule



Cross-head screwdriver



Scissors



Hammer

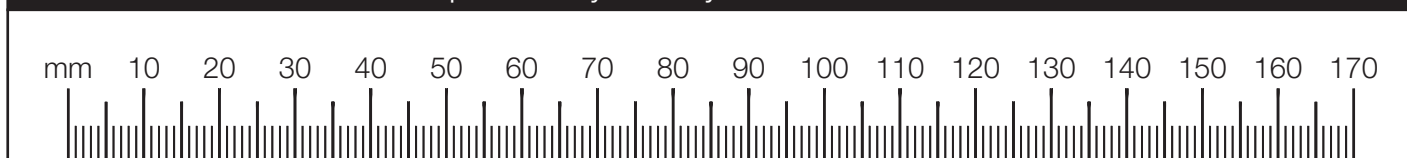


Eye protection (when using a hammer or drill)



Electric drill (do not use for fitting screws)

Ruler - Use this ruler to help correctly identify the screws



Assembly Instructions

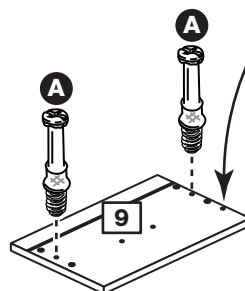
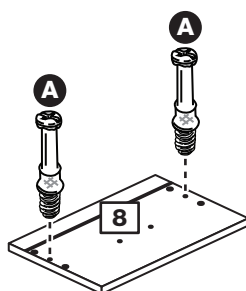
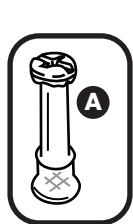
If you have damaged or missing components, call the
Customer Helpline: 03456 400800 quoting the reference
numbers below

Step 1

Prepare the left and right drawer front

Screw 2 metal dowels **A** into the left drawer front **8** and the right drawer front **9**.

Note: Tighten the metal dowels up fully against the panels.



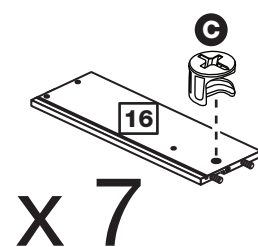
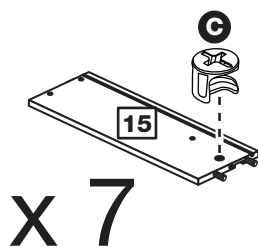
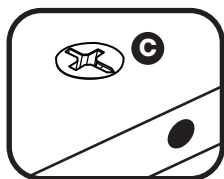
Note: The right drawer front has a small identification hole.

Step 2

Prepare the 7 pair of drawer sides

Insert a small locking nut **C** into the hole shown on the left drawer side **15** and the right drawer side **16**.

Note: The arrow on the locking nut **must** point towards the hole in the edge of the panel.



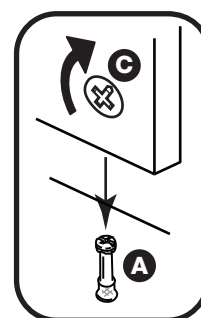
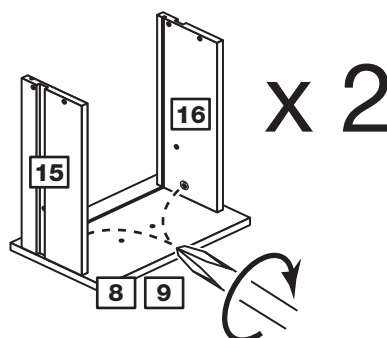
Step 3

Attach the drawer sides to the left and right drawer front

Push the left drawer sides **15** and right drawer sides **16** onto the back of the left and right drawer fronts **8** and **9**.

Turn the small locking nuts **C** on the left drawer side **15** and right drawer side **16**.

Note: Turn the locking nuts **C** clockwise to secure panels - more than 1/2 a turn.

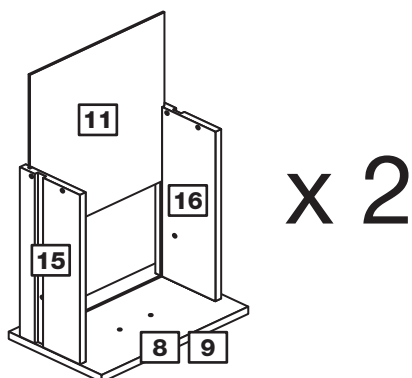


Assembly Instructions

Step 4

Fit the small drawer base

Slide the small drawer base **11** down the grooves in the drawer sides **15** and **16** and down into the groove in the left and right drawer front **8** and **9**.

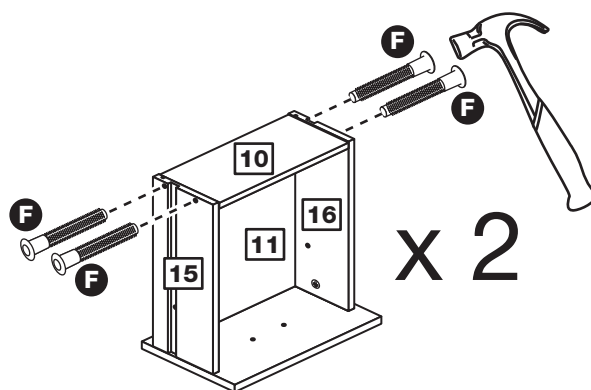


Step 5

Fit the small drawer back

Fit the small drawer back **10** between the drawer sides **15** and **16**. Make sure that the small drawer base **11** fits into the groove in the small drawer back **10**.

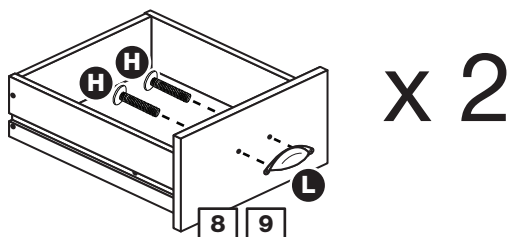
Hold the small drawer back **10** in position and tap the knock-in pegs **F** through the holes in the drawer sides **15** and **16**.



Step 6

Attach the handles

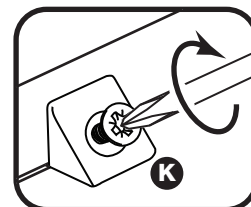
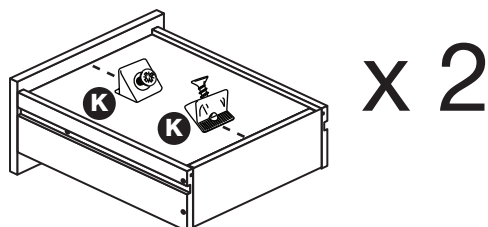
Attach a handle **L** to the left and right drawer front **8** and **9** using screws **H**.



Step 7

Fit the wedgifixes

Turn the drawer assemblies over and slide 2 wedgifixes **K** into the front and back grooves, as shown, and tighten up the screws.



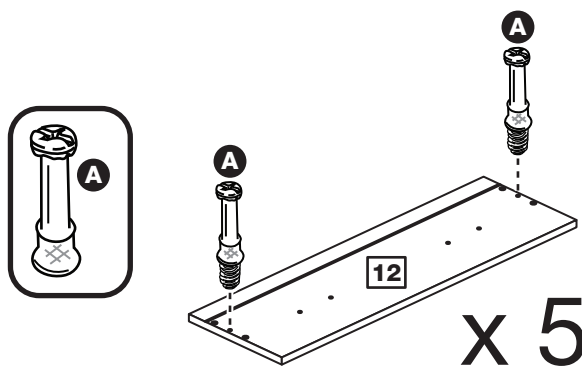
Assembly Instructions

Step 8

Prepare the 5 large drawer fronts

Screw 2 metal dowels **A** into each of the large drawer fronts **12**.

Note: Tighten the metal dowels up fully against the panels.



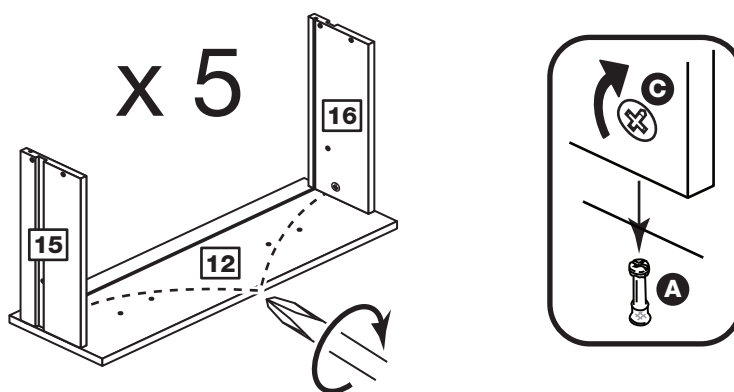
Step 9

Attach the drawer sides to the large drawer fronts

Push the left drawer sides **15** and right drawer sides **16** onto the back of the large drawer fronts **12**.

Turn the small locking nuts **C** on the left drawer side **15** and right drawer side **16**.

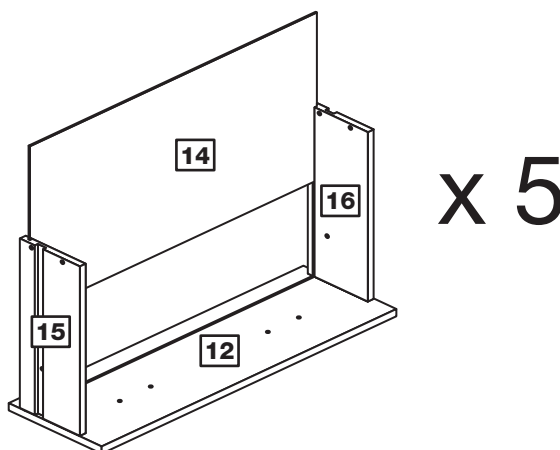
Note: Turn the locking nuts **C** clockwise to secure panels - more than 1/2 a turn.



Step 10

Fit the large drawer base

Slide the large drawer base **14** down the grooves in the drawer sides **15** and **16** and down into the groove in the large drawer front **12**.



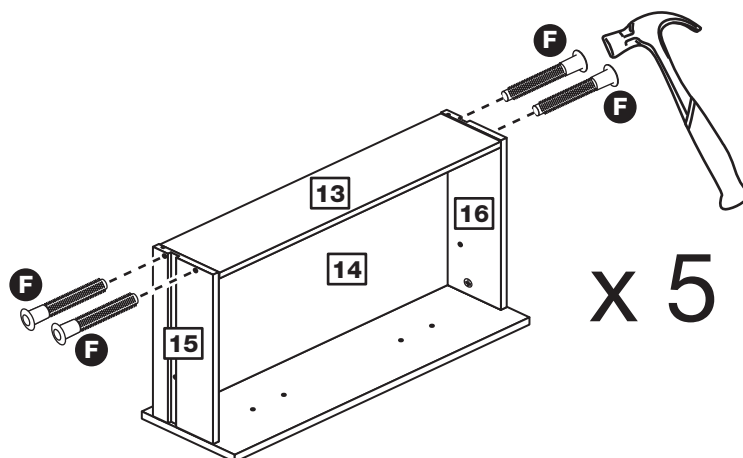
Assembly Instructions

Step 11

Fit the large drawer back

Fit the large drawer back **13** between the drawer sides **15** and **16**. Make sure that the large drawer base **14** fits into the groove in the large drawer back **13**.

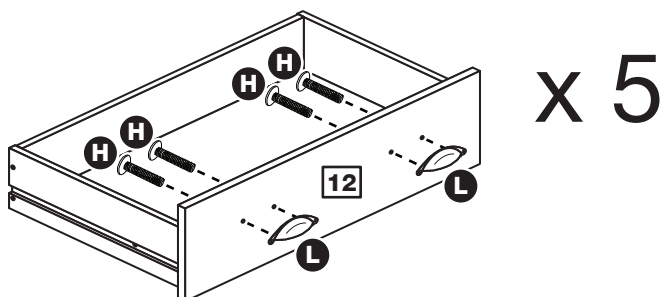
Hold the large drawer back **13** in position and tap the knock-in pegs **F** through the holes in the drawer sides **15** and **16**.



Step 12

Attach the handles

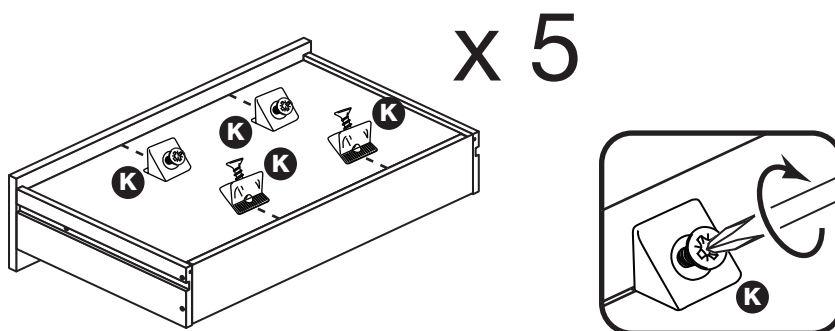
Attach 2 handles **L** to each of the large drawer fronts **12** using screws **H**.



Step 13

Fit the wedgexes

Turn the 5 large drawer assemblies over and slide 4 wedgexes **K** into the front and back grooves, as shown, and tighten up the screws.



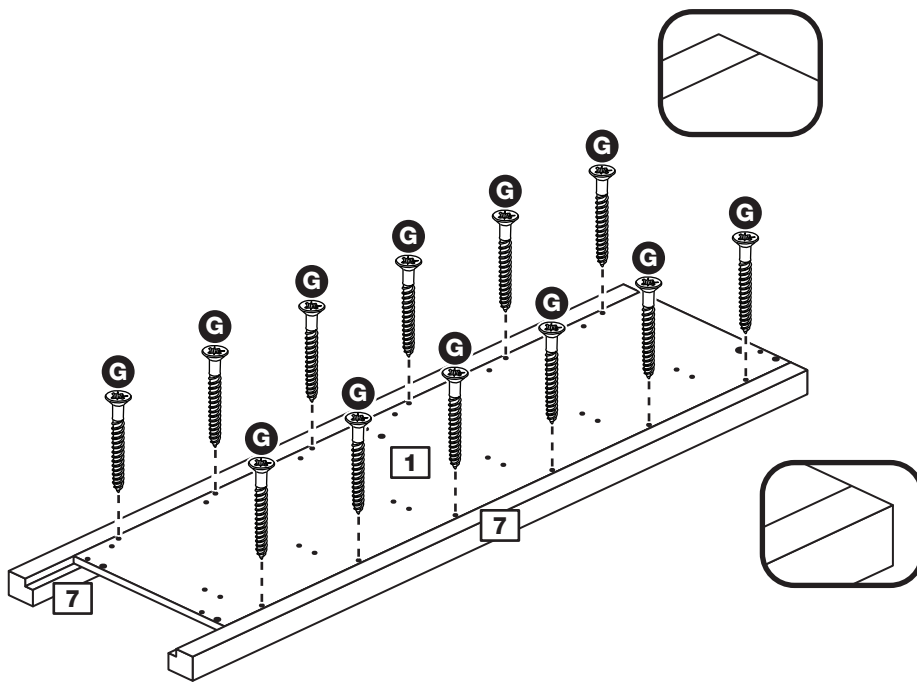
Assembly Instructions

Step 14

Fit 2 legs to the left side

Screw 2 legs **7** to the left side **1** using 12 screws **G**.

Note: The top of the legs must be flush with the top of the left side.

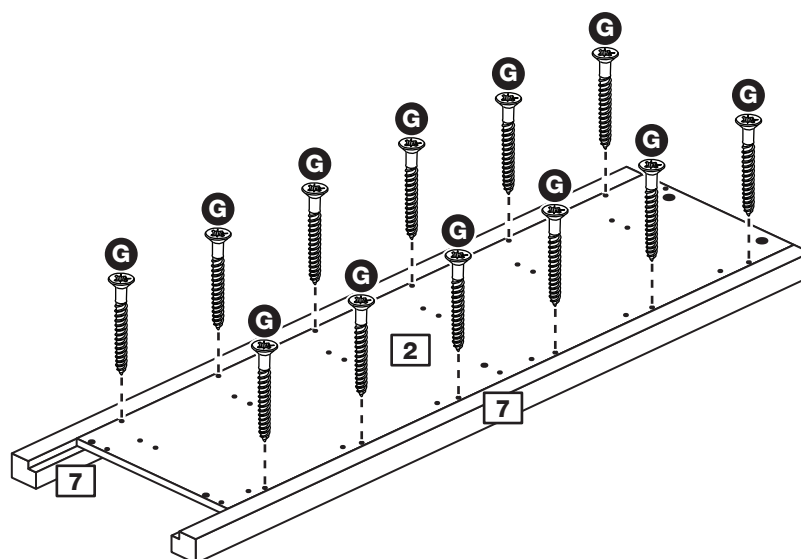


Step 15

Fit 2 legs to the right side

Screw 2 legs **7** to the right side **2** using 12 screws **G**.

Note: The top of the legs must be flush with the top of the right side.



Assembly Instructions

Step 16

Prepare the left side

a: Place 6 runners **M** on the left side **1** as shown. Slide back the top of runner and use the 2nd hole from the front to fit the 1st screw **I**.

b: Slide the runner **M** back the other way and fit the 2nd screw **I** into the corresponding hole in the left side **1**.

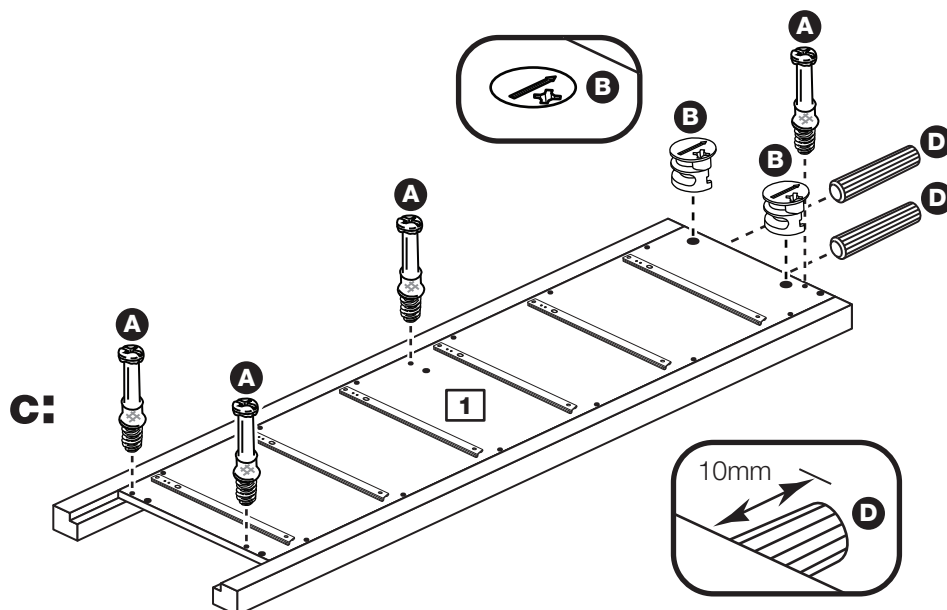
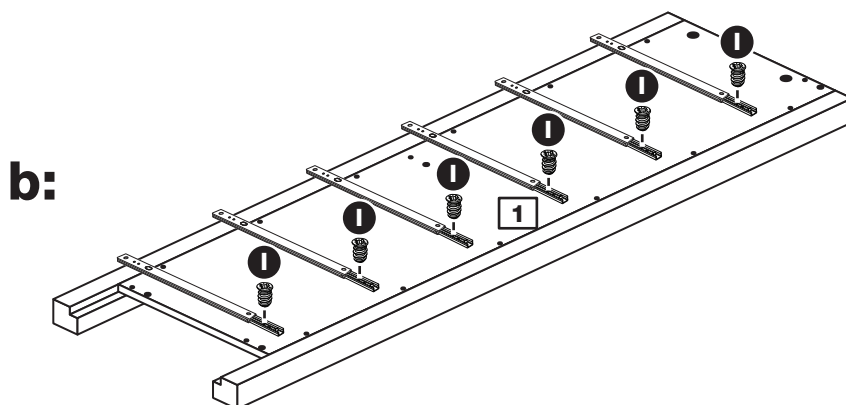
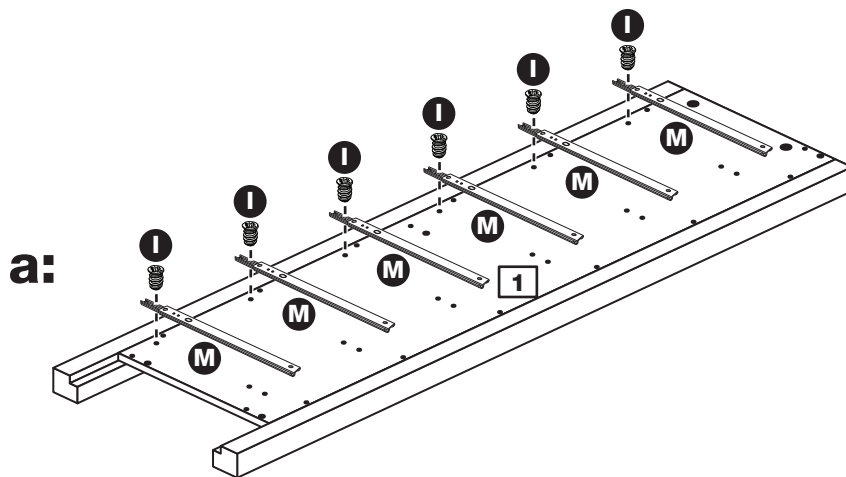
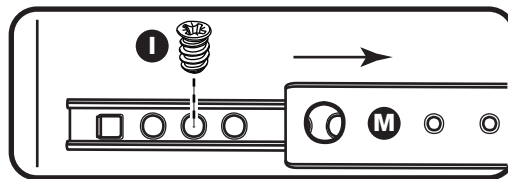
c: Screw 4 metal dowels **A** into the left side **1**.

Insert 2 large locking nuts **B** into the left side **1**.

Note: The arrow on the locking nuts **must** point towards the hole in the edge of the panel.

Tap 2 wooden dowels **D** into the left side **1**.

Note: Wooden dowels **must not** stick out from the edge by more than 10mm or they may damage other panels.



Assembly Instructions

Step 17

Prepare the right side

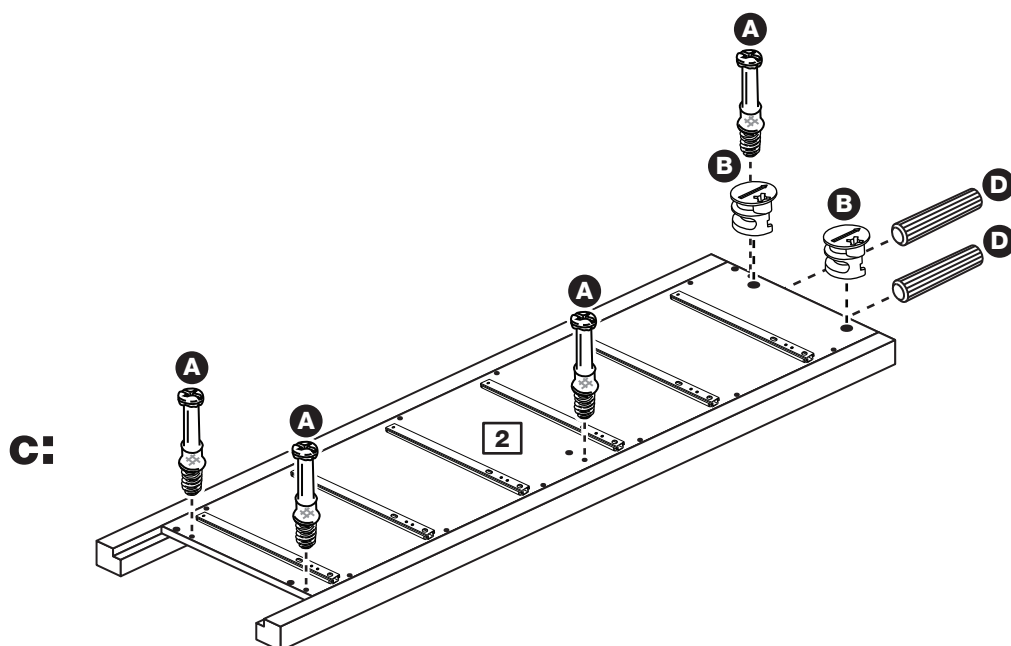
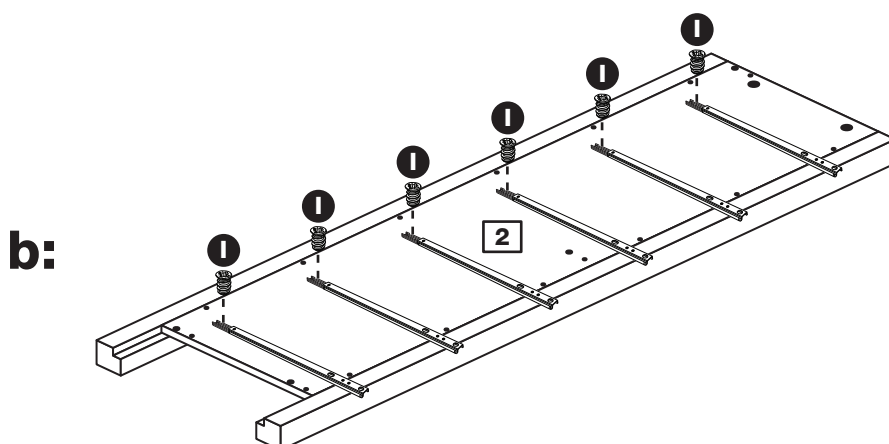
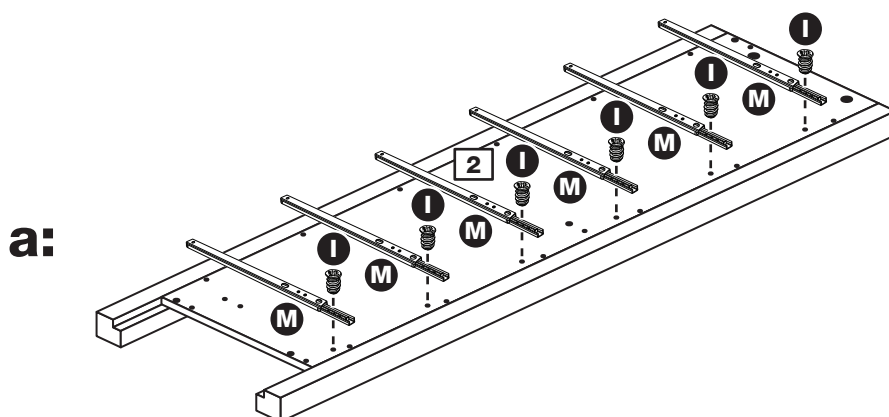
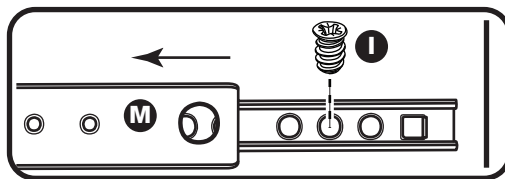
a: Place 6 runners **M** on the right side **2** as shown. Slide back the top of runner and use the 2nd hole from the front to fit the 1st screw **I**.

b: Slide the runner **M** back the other way and fit the 2nd screw **I** into the corresponding hole in the right side **2**.

c: Screw 4 metal dowels **A** into the right side **2**.

Insert 2 large locking nuts **B** into the right side **2**.

Tap 2 wooden dowels **D** into the right side **2**.



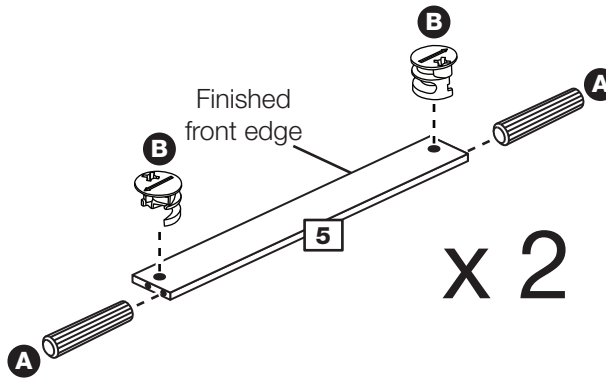
Assembly Instructions

Step 18

Prepare the 2 front rails

Insert 2 large locking nuts **B** into each of the 2 front rails **5**.

Tap 2 wooden dowels **A** into each of the 2 front rails **5**.



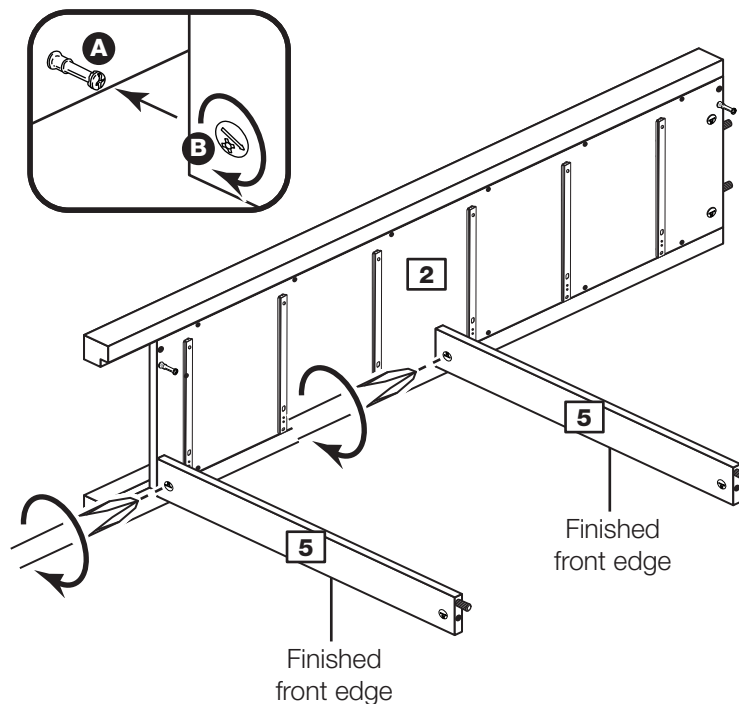
Step 19

Fit the front rails to the right side

Push the 2 front rails **5** onto the right side **2**.

Use a screwdriver to tighten the large locking nut **B** fitted to each of the 2 front rails **5**.

Note: Turn the large locking nuts **B** as far as they will go - more than 1/2 a turn.

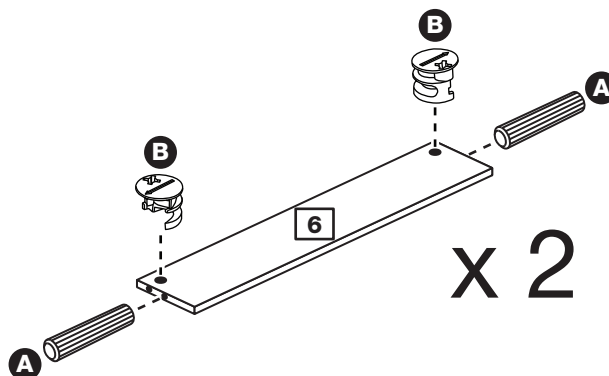


Step 20

Prepare the 2 back rails

Insert 2 large locking nuts **B** into each of the 2 back rails **6**.

Tap 2 wooden dowels **A** into each of the 2 back rails **6**.



Assembly Instructions

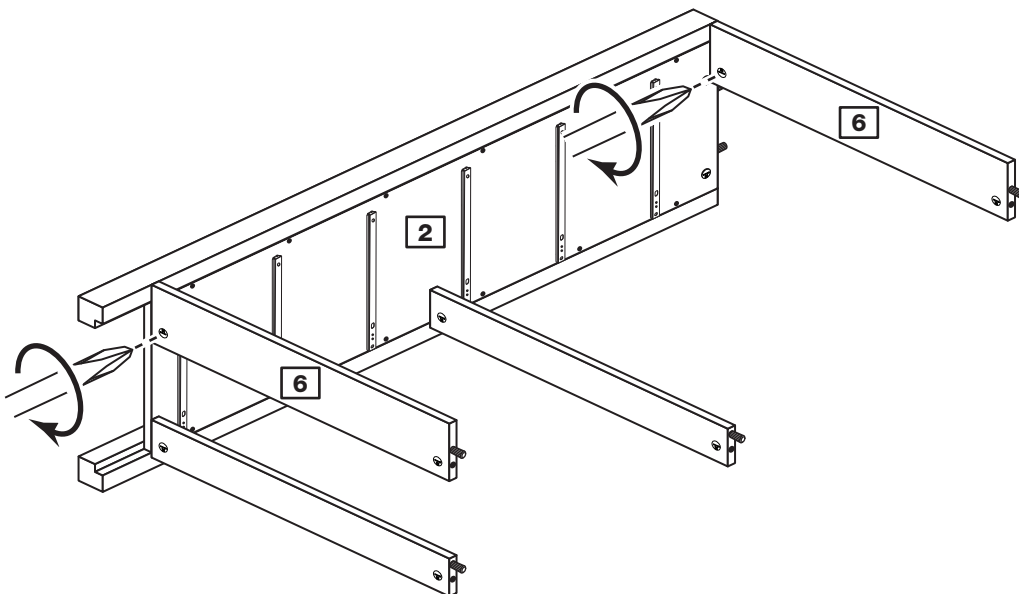
Step 21

Fit the 2 back rails

Push the 2 back rails **6** onto the right side **2**.

Use a screwdriver to tighten the large locking nut **B** fitted to each of the 2 back rails **6**.

Note: Support the 2 back rails until the left side has been fitted in the next step.

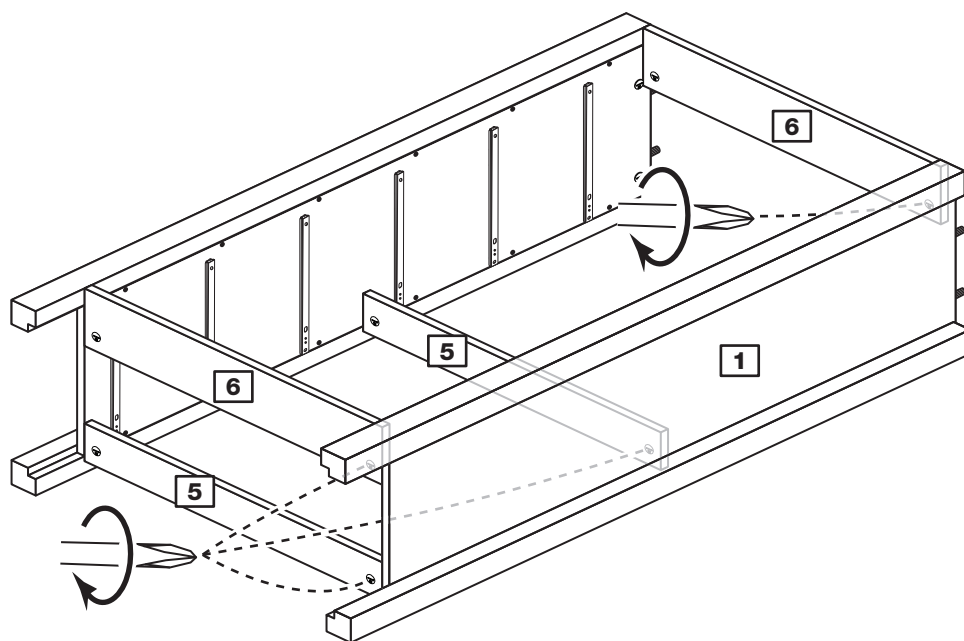


Step 22

Fit the right side

Push the left side **1** onto the 2 front rails **5** and 2 back rails **6**.

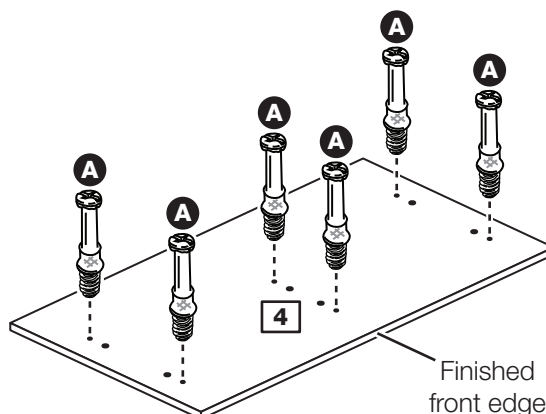
Use a screwdriver to tighten the large locking nut **B** fitted to each of the 2 front rails **5** and 2 back rails **6**.



Step 23

Prepare the top

Screw 6 metal dowels **A** into the top **4**.



Assembly Instructions

Step 24

Prepare the divider

Note: Due to the manufacturing process, the 2 holes for the large locking nuts can be on either surface of the divider.

a: Place a runner **M** on the divider **3** as shown. Slide back the top of runner and use the 2nd hole from the front to fit the 1st screw **I**.

b: Slide the runner **M** back the other way and fit the 2nd screw **I** into the corresponding hole in the divider **3**.

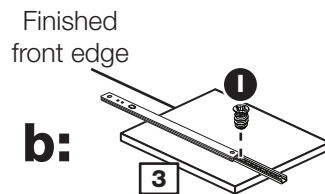
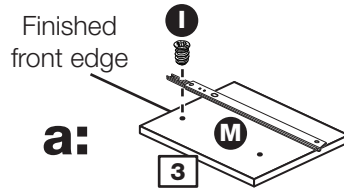
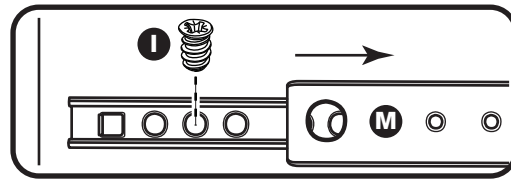
Turn the divider over

c: Place a runner **M** on the divider **3** as shown. Slide back the top of runner and use the 2nd hole from the front to fit the 1st screw **I**.

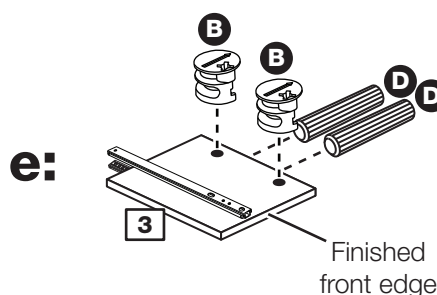
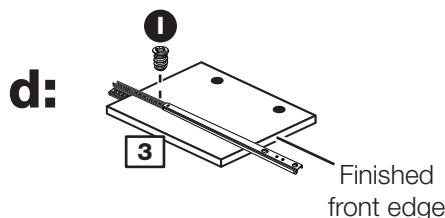
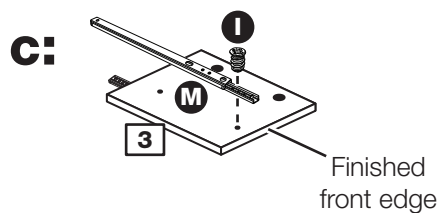
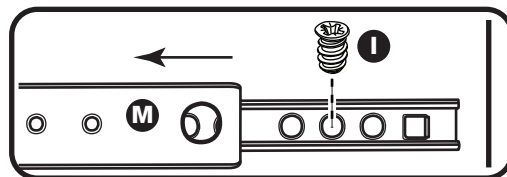
d: Slide the runner **M** back the other way and fit the 2nd screw **I** into the corresponding hole in the divider **3**.

e: Insert 2 large locking nuts **B** into the divider **3**.

Tap 2 wooden dowels **D** into the divider **3**.



Turn the divider over



Assembly Instructions

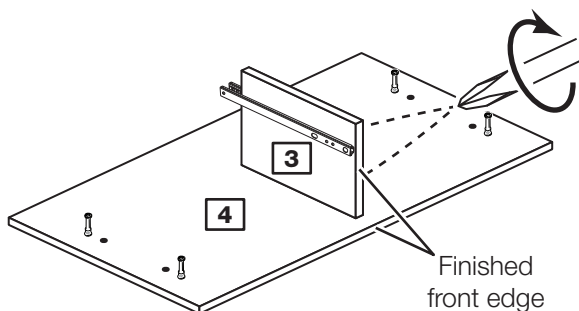
Step 25

Fit the divider to the top

Push the divider **3** onto the top **4**.

Use a screwdriver to tighten the 2 large locking nuts **B** fitted to the divider **3**.

Remember: The large locking nuts can be on either surface of the divider.

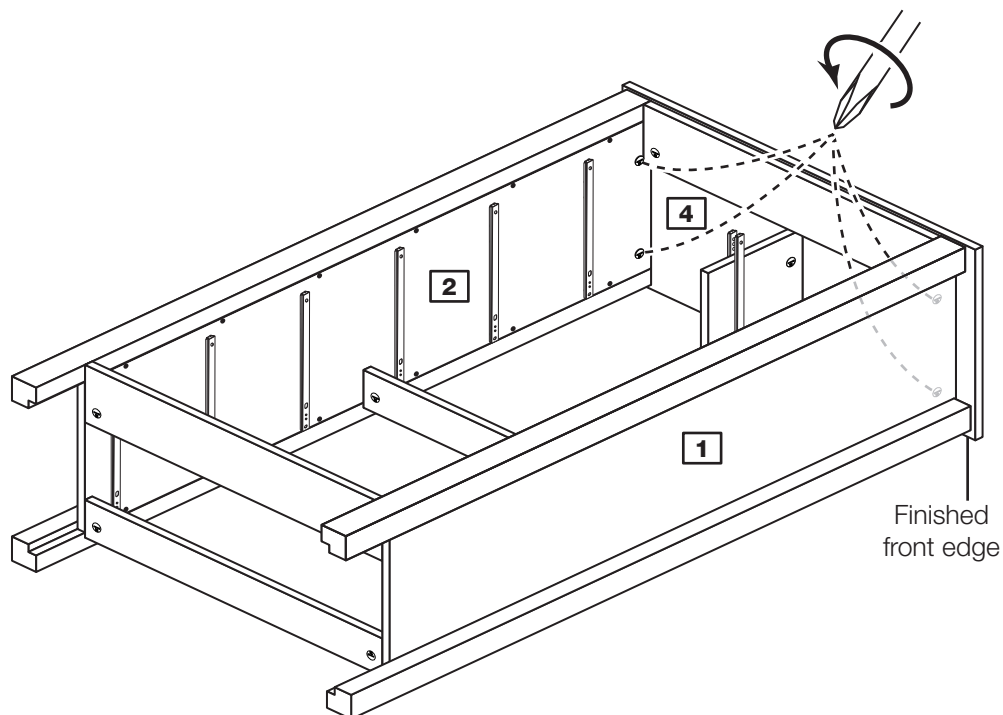


Step 26

Fit the top

Push the top **4** down onto the assembly.

Use a screwdriver to tighten the 2 large locking nuts **B** fitted to the left side **1** and the 2 large locking nuts **B** fitted to the right side **2**.



Assembly Instructions

Step 27

Fit the back

a: Square up the unit by making sure that measurement **x** to **x** equals **y** to **y**.

b: Place the back **17** onto the unit.

Nail **E** around the outside edges of the back **17**.

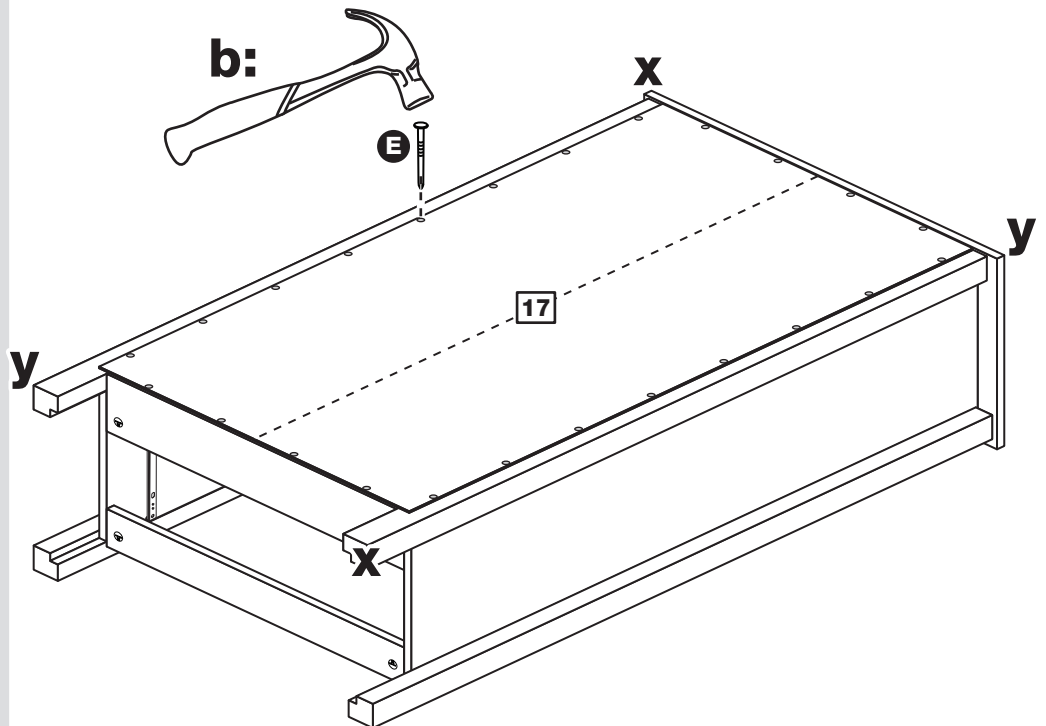
Note: Nails should be spaced about 150mm apart.

Stand the unit up for the next step.



Warning: The unit is heavy. Lift with care.

a: The measurement from top corner X to bottom corner X must be equal to the measurement from top corner Y to bottom corner Y



Step 28

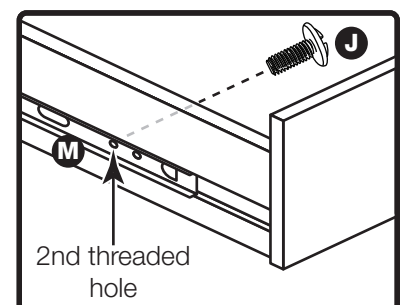
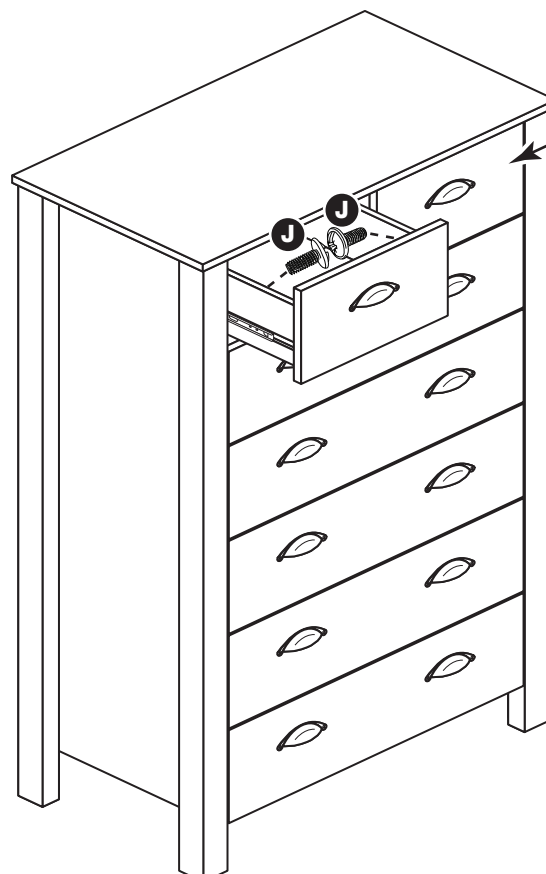
Fit the drawers

Starting with the bottom drawer, slide both the runners **M** forward and locate the drawer sides **15** and **16** between them, lining up the holes in the drawer wrap with the 2nd 'threaded' holes in the runners **M**.

Working from the inside of the drawer, insert 2 screws **J** through the drawer sides and out into the 2nd threaded hole in the runner.

Remember: The right drawer front has a small identification hole (refer to Step 1).

Note: Do not overtighten the screws **J**. If they catch on the runner you may need to loosen them slightly.



Assembly Instructions

Step 29

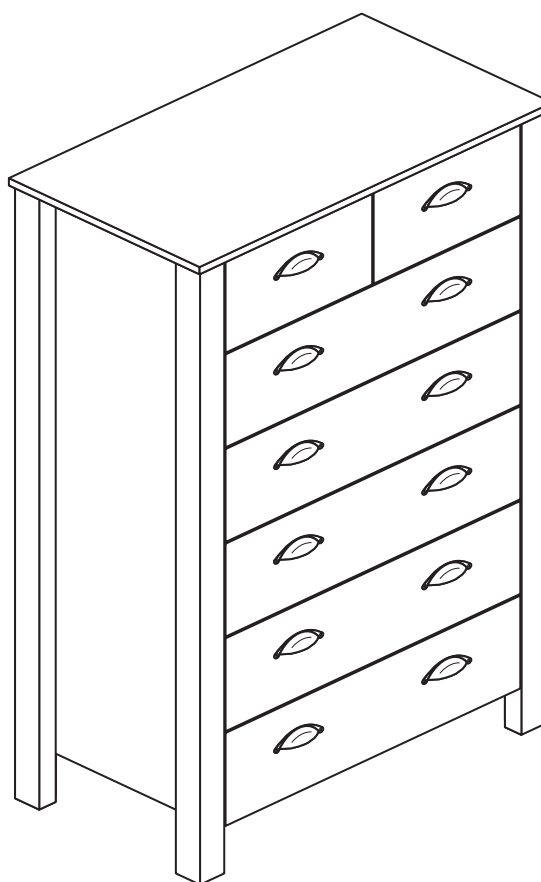
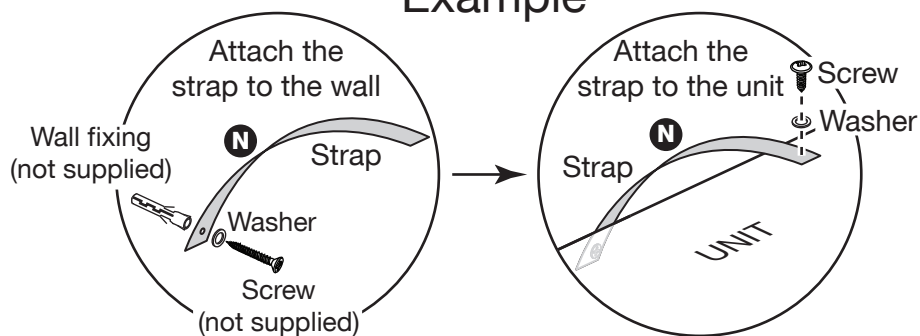
Fit the overbalance protector kit

To prevent possible overbalancing we recommend that this unit is secured to a suitable wall by fitting of the overbalance protector kit **N** to the unit, or an alternative fixing method of your choice.

Wall fixings are not supplied as they will need to suit the wall type.

Note: Take care when drilling the wall that you do not drill into any pipes, wires etc. If in doubt, consult an expert.

Example



If you need help or have damaged or missing parts, call the **Customer Helpline: 03456 400800** and quote the reference numbers on the component pages.

Argos Ltd, 489-499 Avebury Boulevard, Central Milton Keynes, MK9 2NW

