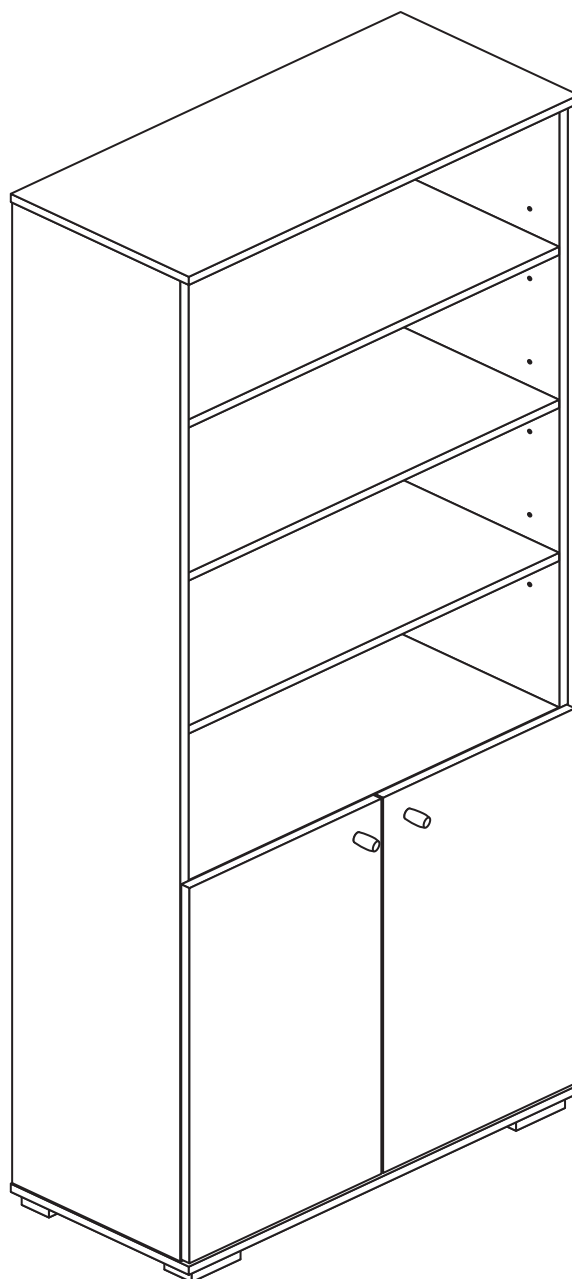


Montana - Tall Display Unit

Assembly Instructions - Please keep for future reference

412/3653

389/9201



Dimensions

Width - 72cm

Depth - 33cm

Height - 186cm



**MADE IN
BRITAIN**

Important - Please read these instructions fully before starting assembly

If you need help or have damaged or missing parts, call the **Customer Helpline: 03456 400800**



Safety and Care Advice

Important - Please read these instructions fully before starting assembly

- **Warning:** This unit weighs approximately 35kgs. Please lift with care.

- Check you have all the components and tools listed on pages 2 and 3.

- Remove all fittings from the plastic bags and separate them into their groups.

- Keep children and animals away from the work area, small parts could choke if swallowed.

- Parts of the assembly will be easier with 2 people.

- Make sure you have enough space to layout the parts before starting.

- Do not stand or put weight on the product, this could cause damage.

- Assemble the item as close to its final position (in the same room) as possible.

- Assemble on a soft level surface to avoid damaging the unit or your floor (use opened out unit carton).



- We do not recommend the use of power drill/drivers **for inserting screws**, as this could damage the unit. Only use hand screwdrivers.

- **Safety note:** It is recommended that this unit is secured to a wall using the overbalance protector kit supplied or, an alternative fixing method of your choice.

- Dispose of all packaging carefully and responsibly.

Care and maintenance

- Only clean using a damp cloth and mild detergent, do not use bleach or abrasive cleaners.

- From time to time check that there are no loose screws on this unit.

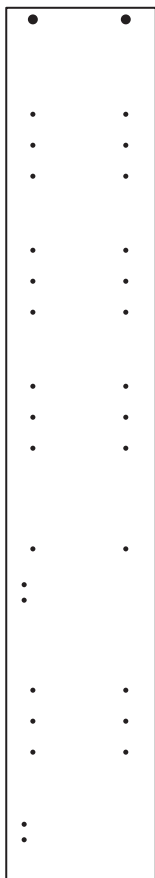
- This product should not be discarded with household waste. Take to your local authority waste disposal centre.

Note: If required the next page can be cut out and used as reference throughout the assembly. Keep this page with these instructions for future reference.

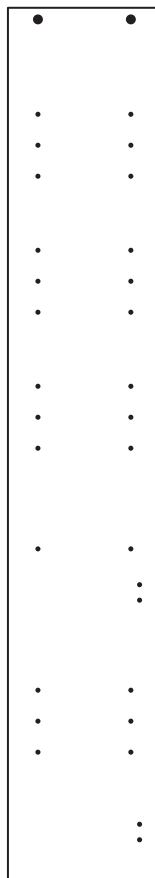
Components - Panels

If you have damaged or missing components, call the **Customer Helpline: 03456 400800** quoting the reference numbers below

Please check you have all the panels listed below



1 Left End (DF3533)
(1803 x 309mm)



2 Right End (DF3534)
(1803 x 309mm)



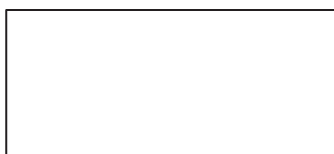
3 Top (DF3531)
(716 x 327mm)



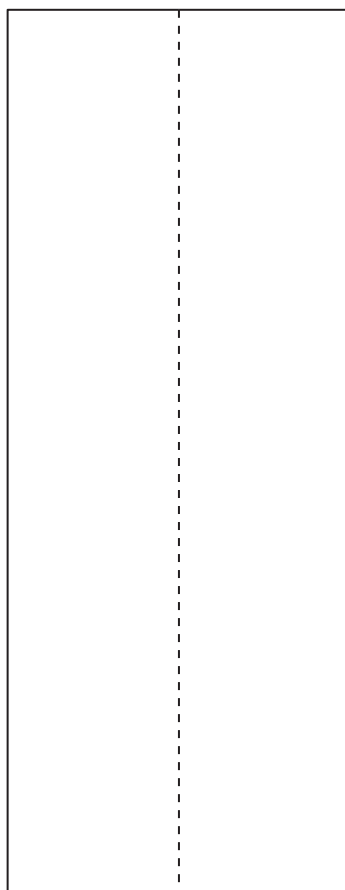
4 Base (DF3532)
(716 x 327mm)



5 Fixed Shelf (DF3535)
(682 x 307mm)



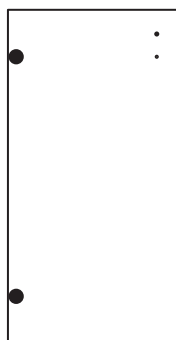
6 Loose Shelf (DF3536)
(682 x 307mm) x 4



9 Back (X1829-708)
(1829 x 708mm)



7 Left Door (DF3537)
(689 x 352.5mm)



8 Right Door (DF3940)
(689 x 352.5mm)

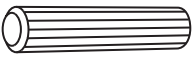
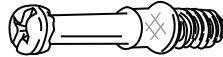





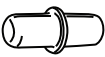
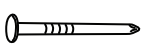

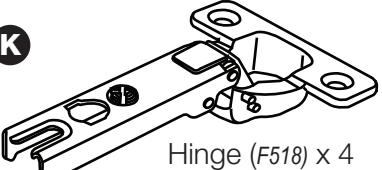

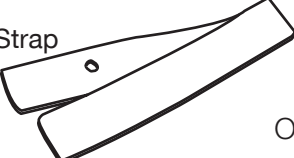


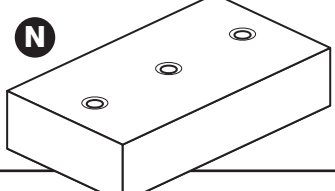


Components - Fittings

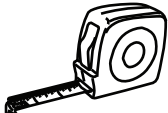


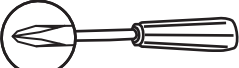

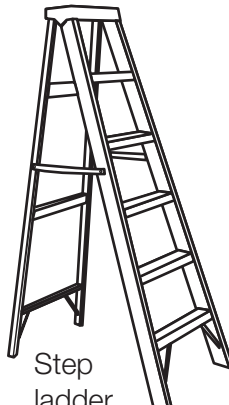



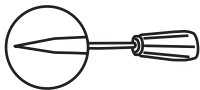
If you have damaged or missing components, call the **Customer Helpline: 03456 400800** quoting the reference numbers below

Please check you have all the fittings listed below

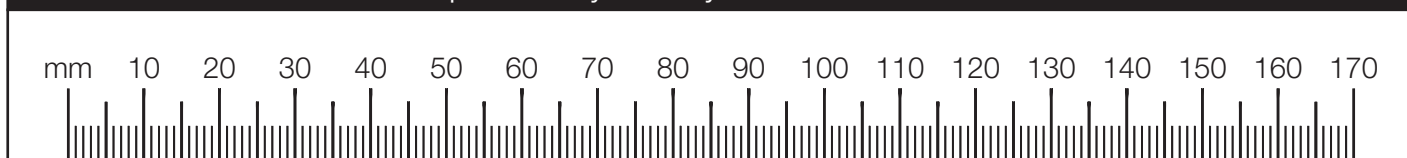
Note: The quantities below are the correct amount to complete the assembly. In some cases more fittings may be supplied than are required.

<p>A </p> <p>Wooden dowel (F22) x 4</p>	<p>B </p> <p>Metal dowel (F901) x 8</p>	<p>C </p> <p>Large locking nut (F900) x 8</p>
<p>D </p> <p>40mm Screw (F910) x 4</p>	<p>E </p> <p>38mm Screw (F81) x 8</p>	<p>F </p> <p>19mm Screw (F461) x 2</p>
<p>G </p> <p>13mm Screw (F63) x 8</p>	<p>H </p> <p>Shelf stud (F110) x 16</p>	<p>I </p> <p>Nail (F51) x 34</p>
<p>J </p> <p>Hinge plate (F523) x 4</p>	<p>K </p> <p>Hinge (F518) x 4</p>	<p>L </p> <p>Handle (F341) x 2</p>
<p>M   Screw  Washer x 2</p> <p>Overbalance protector kit (F269) x 1</p>		<p>N </p> <p>Foot (F233) x 4</p>

Tools required

<p></p> <p>Rule</p>	<p></p> <p>Spirit level</p>	<p></p> <p>Eye protection (when using a hammer or drill)</p>	<p></p> <p>Cross-head screwdriver</p>	<p></p> <p>Electric drill (only use when drilling into walls)</p>	<p></p> <p>Step ladder</p>
<p></p> <p>Square</p>	<p></p> <p>Scissors</p>	<p></p> <p>Hammer</p>	<p></p> <p>Bradawl</p>		

Ruler - Use this ruler to help correctly identify the screws



Assembly Instructions

If you have damaged or missing components, call the
Customer Helpline: 03456 400800 quoting the reference
numbers below

Step 1

Prepare the left end

Tap 2 wooden dowels **A** into the left side **1**.

Note: Wooden dowels **must not** stick out from the edge by more than 10mm or they may damage other panels.

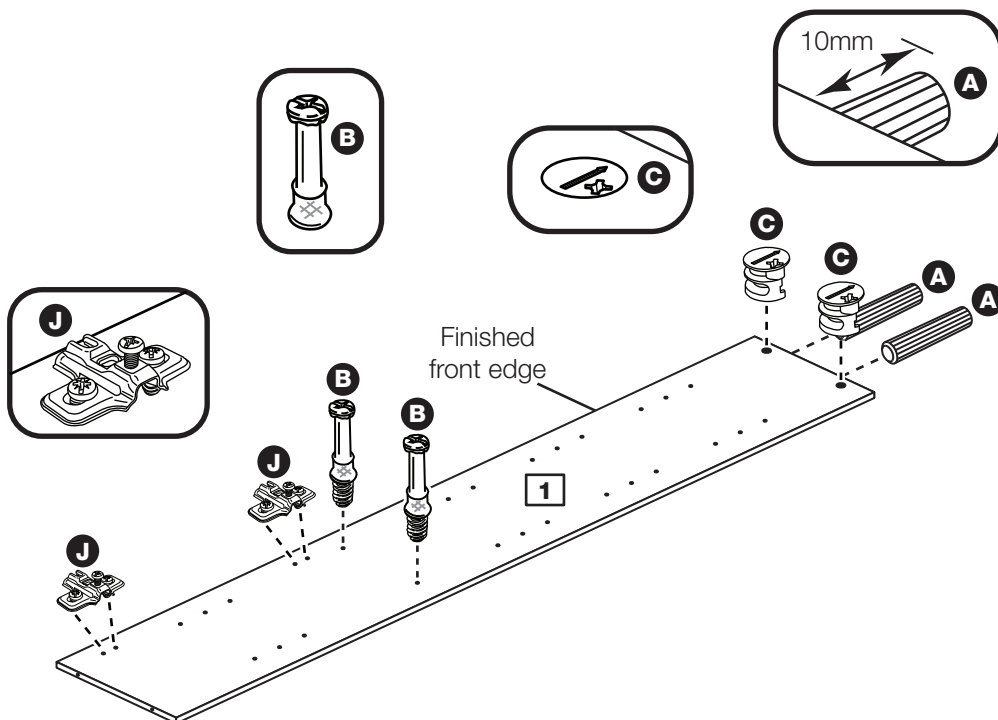
Screw 2 metal dowels **B** into the left end **1**.

Note: Tighten the metal dowels up fully against the panels.

Insert 2 large locking nuts **C** into the left end **1**.

Note: The arrow on the locking nut **must** point towards the hole in the edge of the panel.

Fit 2 hinge plates **J** onto the left end **1**, making sure that the slot is facing towards the finished front edge.



Step 2

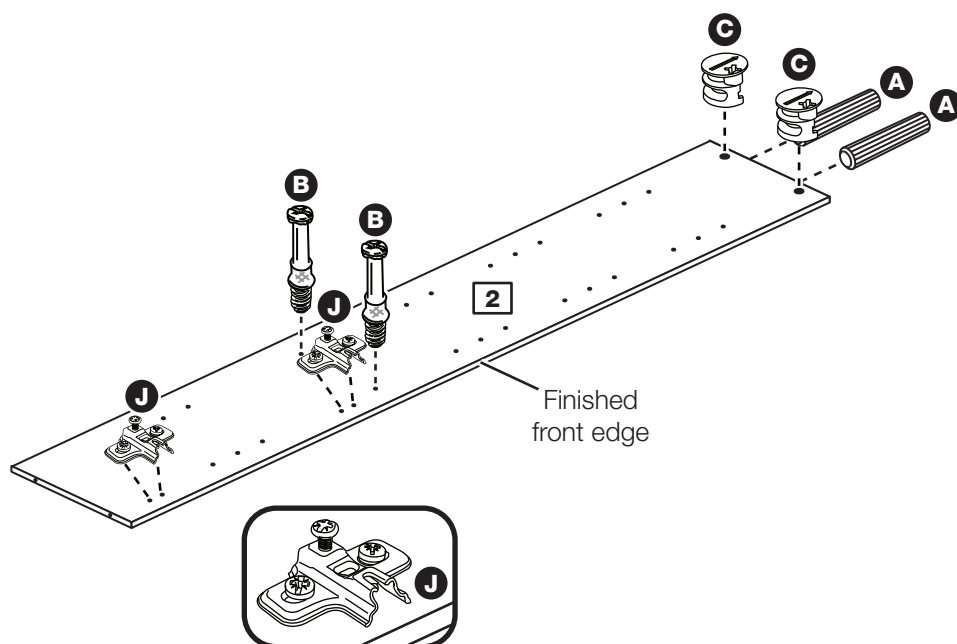
Prepare the right end

Tap 2 wooden dowels **A** into the right side **2**.

Screw 2 metal dowels **B** into the right end **2**.

Insert 2 large locking nuts **C** into the right end **2**.

Fit 2 hinge plates **J** onto the right end **2**, making sure that the slot is facing towards the finished front edge.

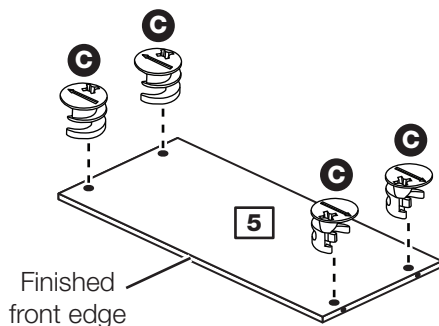


Assembly Instructions

Step 3

Prepare the fixed shelf

Insert 4 large locking nuts **C** into the fixed shelf **5**.



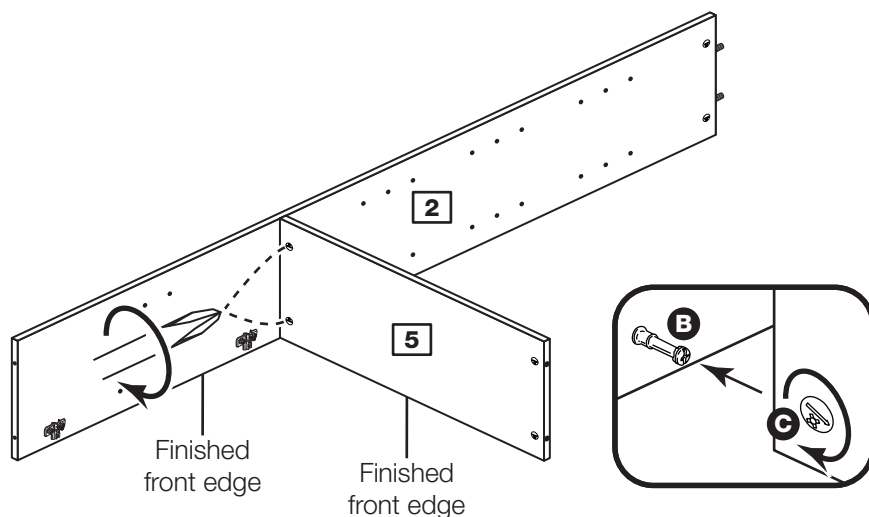
Step 4

Fit the fixed shelf to the right end

Push the fixed shelf **5** onto the right end **2**.

Use a screwdriver to tighten the 2 large locking nuts **C** fitted to the fixed shelf **5**.

Note: Turn the large locking nuts **C** as far as they will go - more than 1/2 a turn.

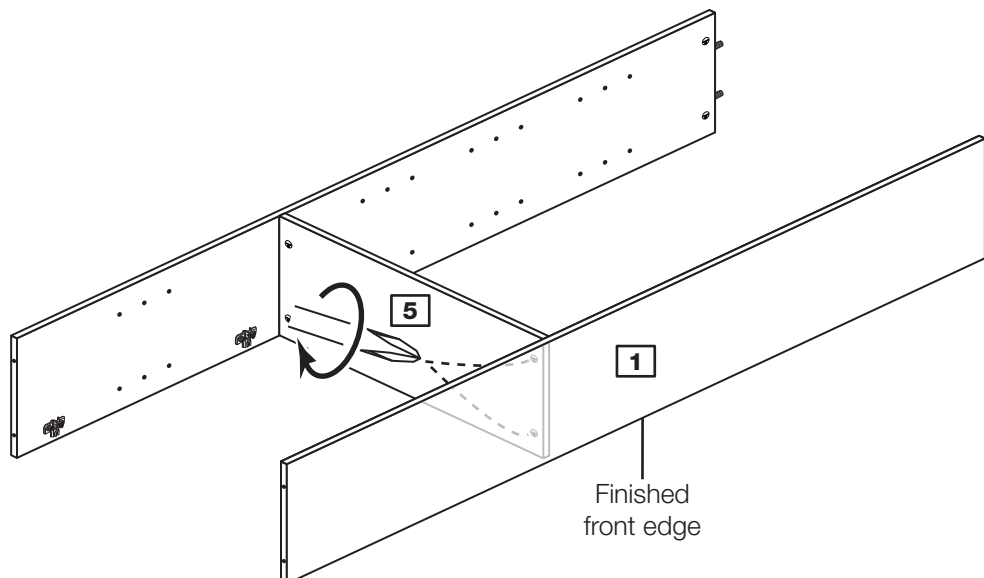


Step 5

Fit the left end

Push the left end **1** onto the fixed shelf **5**.

Use a screwdriver to tighten the 2 large locking nuts **C** fitted to the fixed shelf **5**.

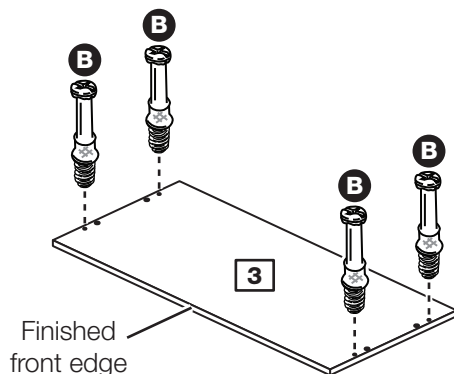


Assembly Instructions

Step 6

Prepare the top

Screw 4 metal dowels **B** into the top **3**.



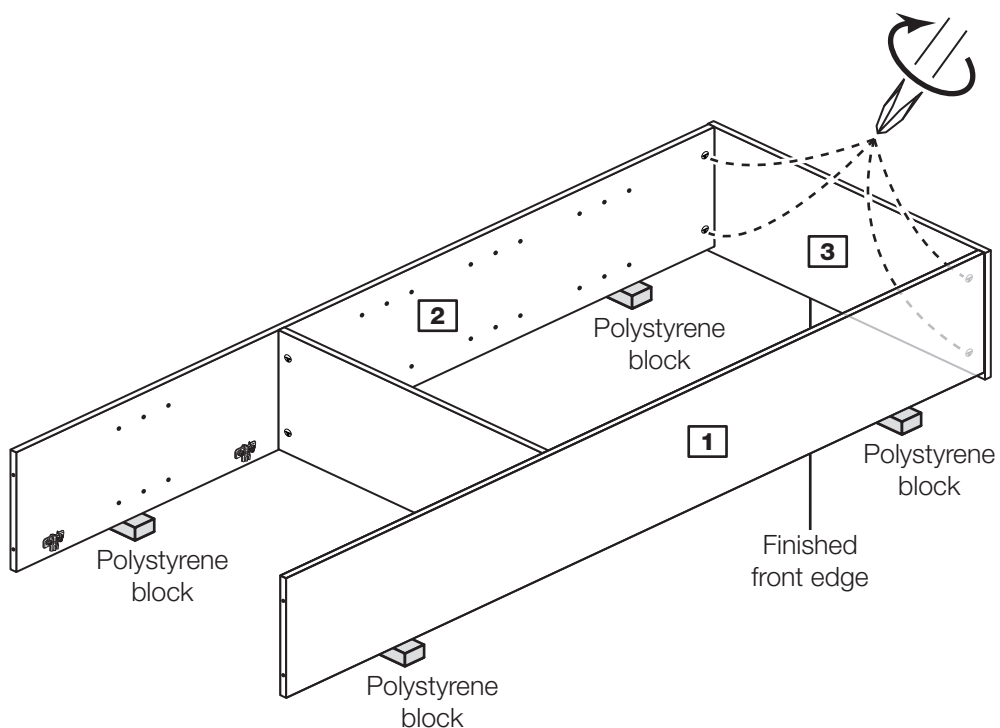
Step 7

Fit the top

Push the top **3** onto the left end **1** and right end **2**.

Use a screwdriver to tighten the 4 large locking nuts **C** fitted to the left end **1** and the right end **2**.

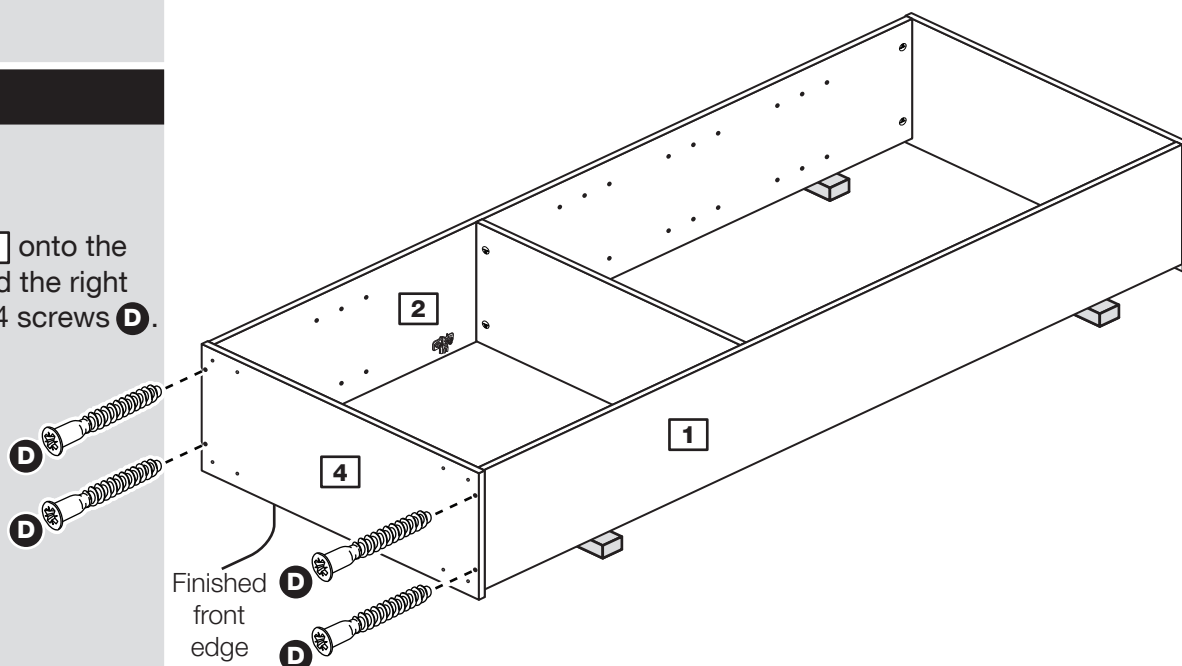
Note: To make it easier to fit the top and base panels, place polystyrene blocks from the packaging underneath the end panels to raise the assembly.



Step 8

Fit the base

Fit the base **4** onto the left end **1** and the right end **2** using 4 screws **D**.

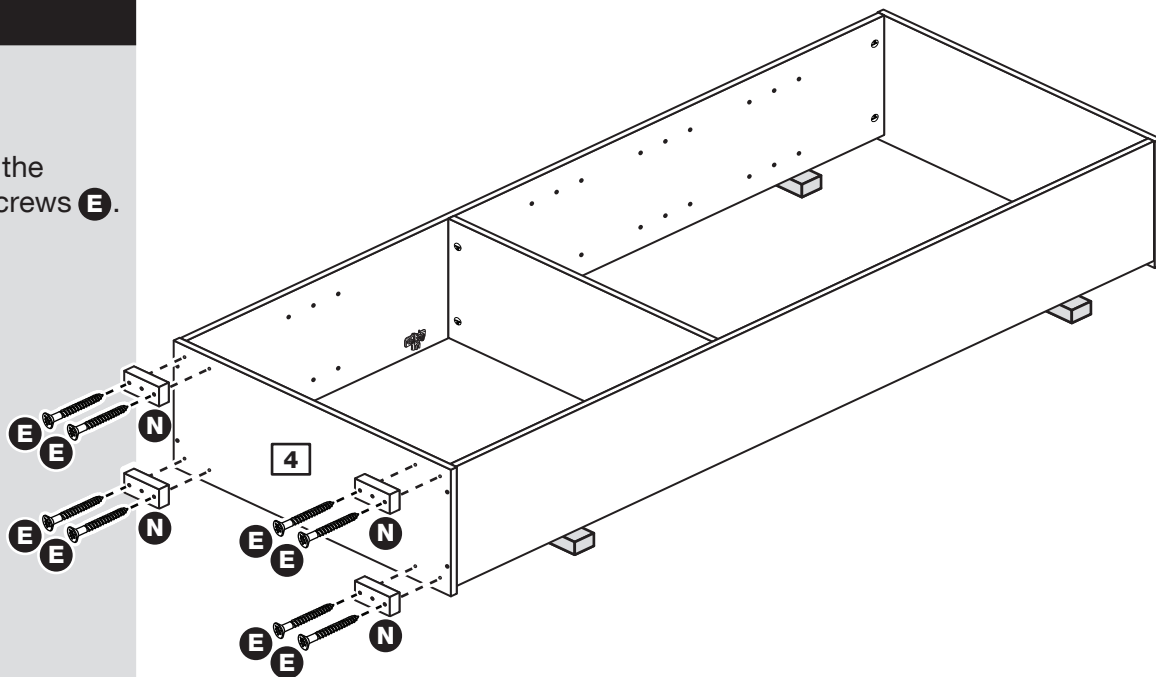


Assembly Instructions

Step 9

Fit the feet

Fit the feet **N** to the base **4** using screws **E**.



Step 10

Fit the back

a: Square up the unit by making sure that measurement **x to x** equals **y to y**.

b: Place the back **9** onto the unit.

Nail **1** around the outside edges of the back **9**.

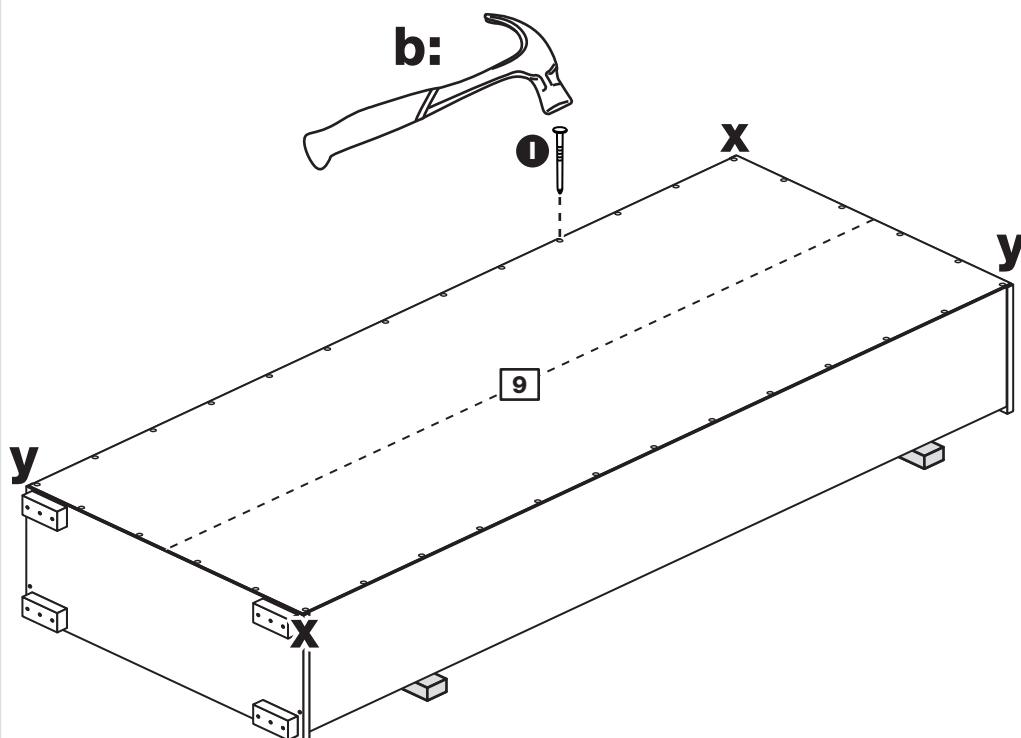
Note: Nails should be spaced about 150mm apart.

Carefully stand the unit up for the next step.



Warning: The unit is heavy. Lift with care.

a: The measurement from top corner X to bottom corner X must be equal to the measurement from top corner Y to bottom corner Y



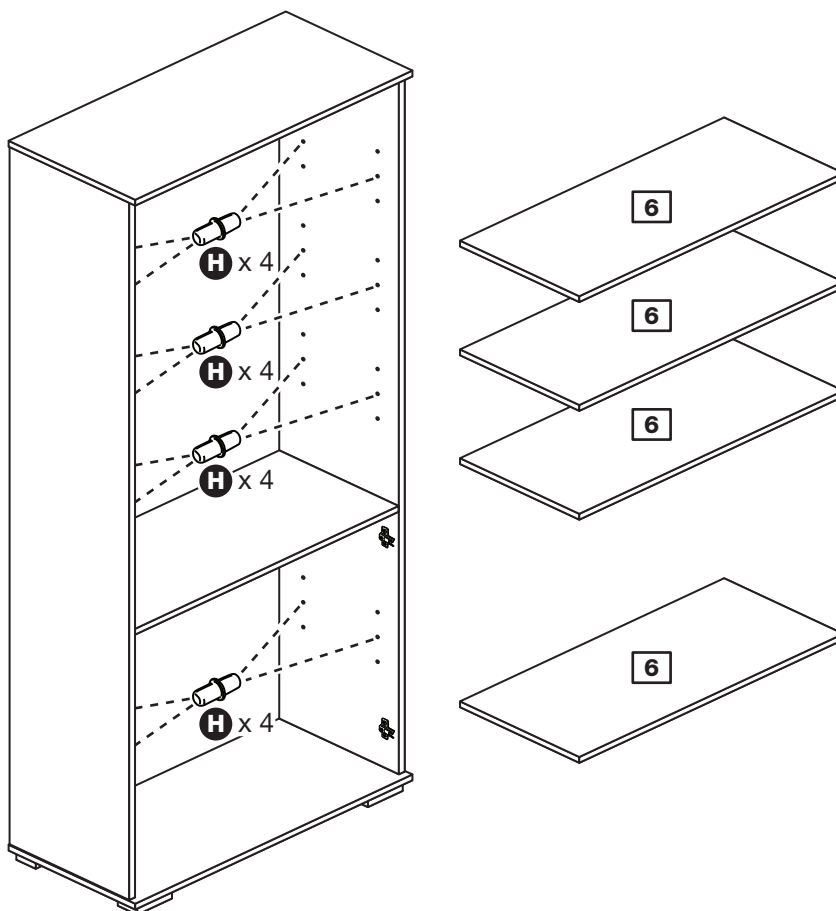
Assembly Instructions

Step 11

Fit the shelves

For each of the 4 shelves **6**, insert 4 shelf studs **H** at the required height.

Lower the 4 shelves **6** down onto the shelf studs **H**.



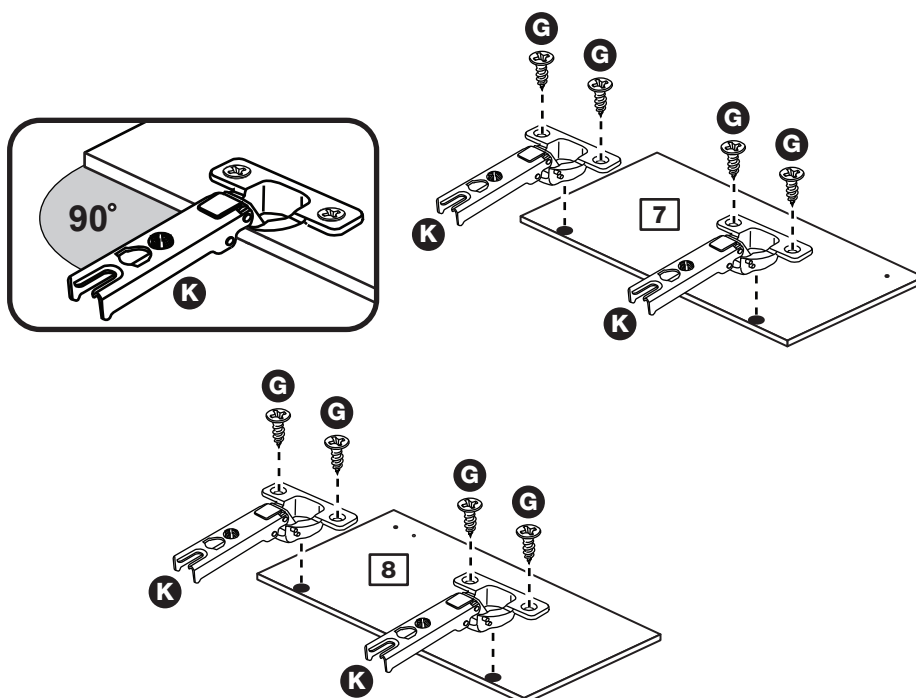
Step 12

Prepare the 2 doors

Push fit 2 hinges **K** into the left door **7** and the right door **8**.

Secure each hinge with 2 screws **G**.

Note: Before securing with the screws, make sure that the hinges are positioned at 90 degrees with the edge of the door.



Assembly Instructions

Step 13

Fit doors and handles

Note: The easiest way to attach each door **7** and **8** is to fit the top hinge first, then align and fit the other hinge.

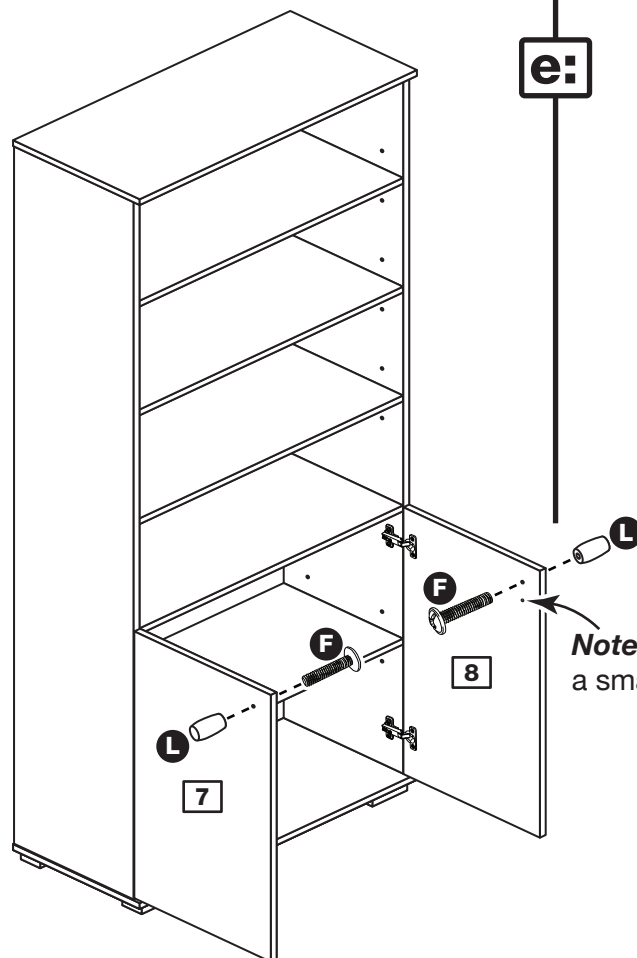
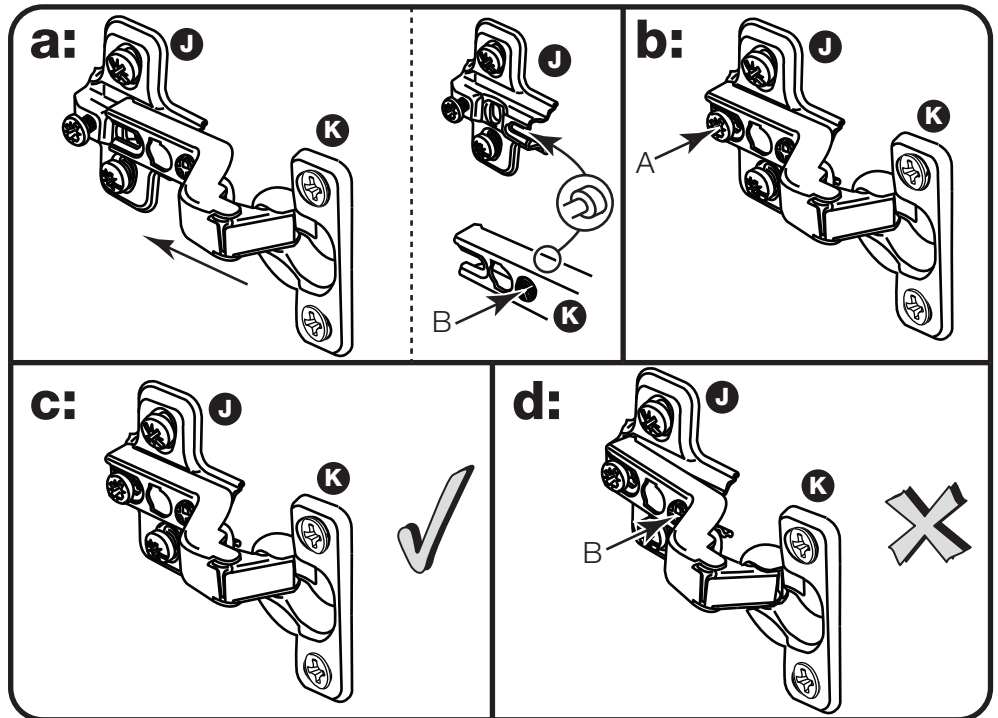
a: Push the hinge **K** onto the front part of the hinge plate **J**. The recess at the bottom of screw **B** goes into the slot in the hinge plate.

b: Keep the hinge **K** FLAT against the hinge plate **J** as you slide it across as far as it will go. Tighten screw **A**.

c: The hinge **K** must be flat against the hinge plate **J** prior to any adjustment.

d: The hinge **K** must NOT be AT AN ANGLE to the hinge plate **J** when assembled. This would indicate that the recess at the bottom of screw **B** had not located in the slot in the hinge plate and the hinge would not be secure. Remove the hinge from the hinge plate and then re-assemble being careful to follow instructions a-c.

e: Attach a handle **L** to each door **7** and **8** using screws **F**.



Note: The right door has a small identification mark.

Assembly Instructions

Step 14

Adjust the doors if needed

a: Before adjusting the doors, use a spirit level to check the base (or top) of the unit is level, front-to-back and side-to-side in the 3 positions shown. Use suitable packing pieces (not supplied) to make the unit level BEFORE making any adjustment to the hinges, as shown.

b: Height adjustment.

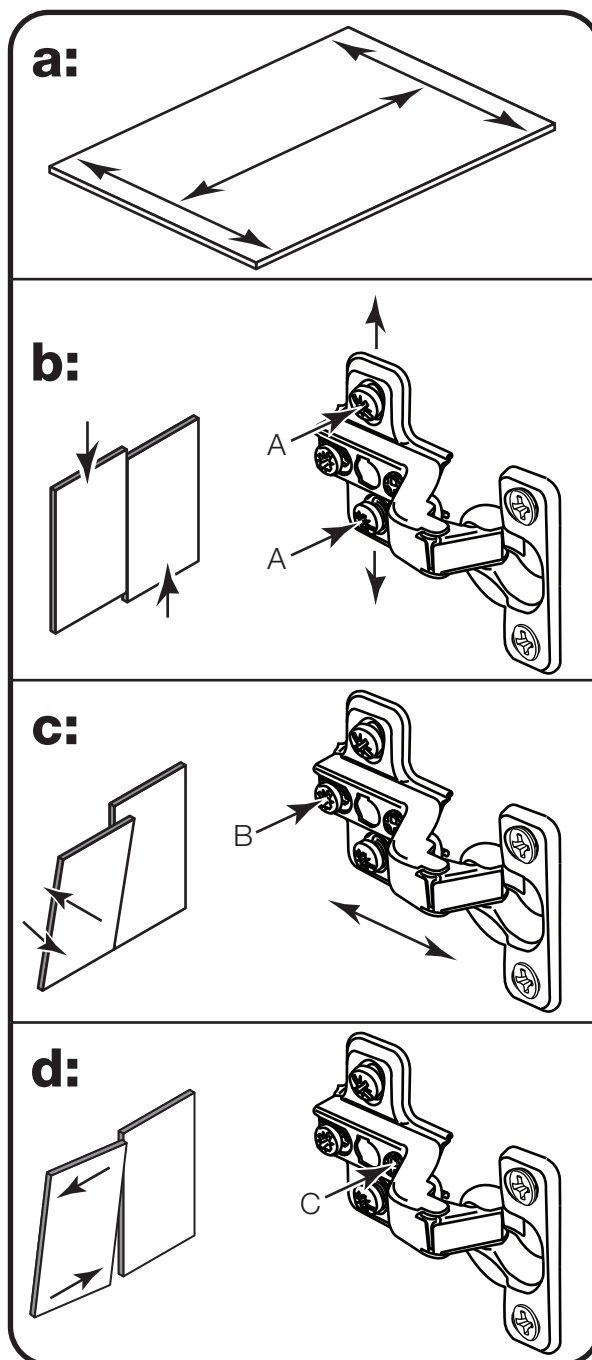
Loosen screws A on hinge plates and move door up or down as required. Retighten screw A.

c: Forward and Back adjustment.

Loosen screw B on hinge plate and move door in or out as required. Retighten screw B.

d: Sideways adjustment.

To move door 'out' loosen screw C. To move door 'in' tighten screw C.



Assembly Instructions

Step 15

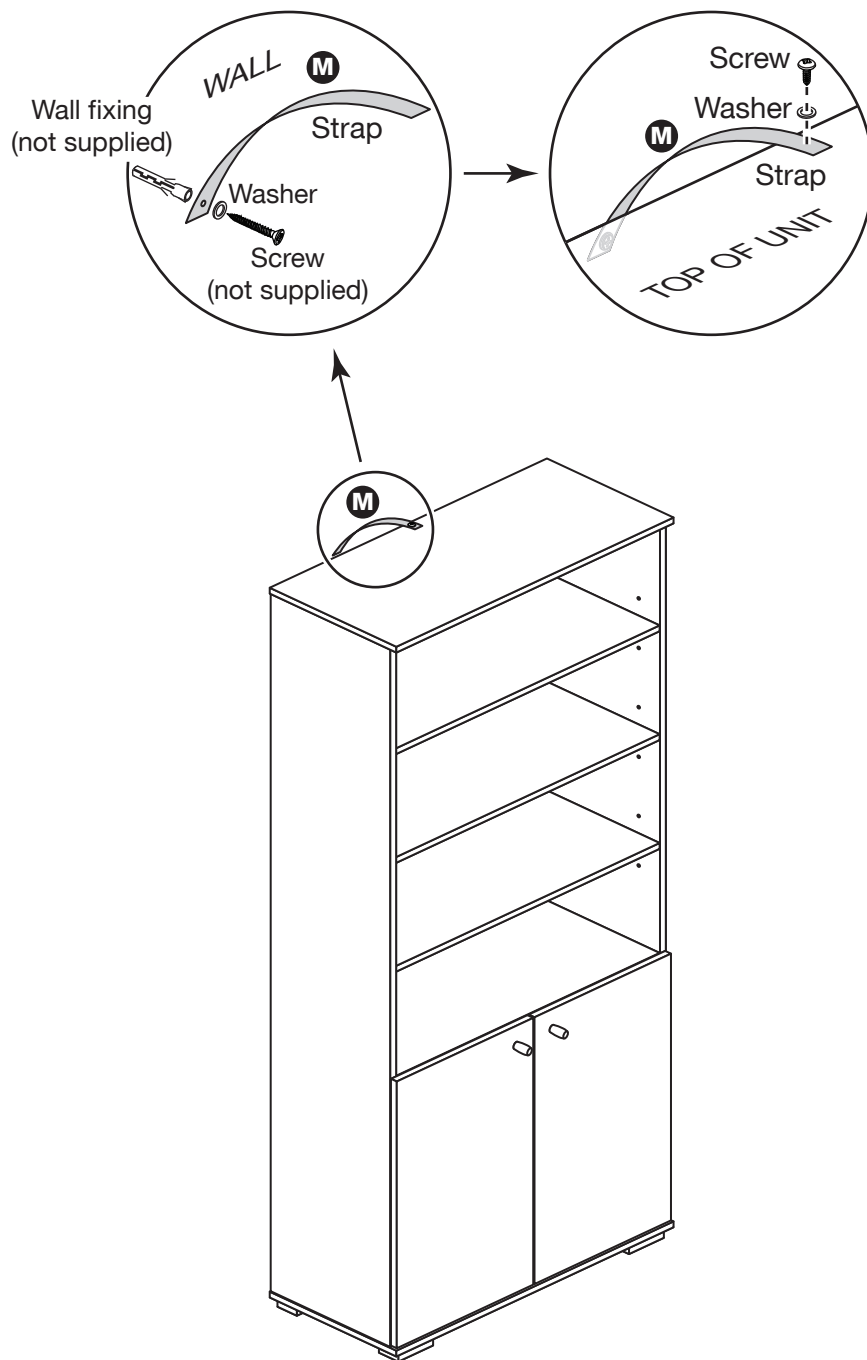
Fit the overbalance protector

To prevent possible overbalancing we recommend that this unit is secured to a suitable wall by fitting of the overbalance protector kit **M** to the unit, or an alternative fixing method of your choice.

Wall fixings are not supplied as they will need to suit the wall type.

Note: Take care when drilling the wall that you do not drill into any pipes, wires etc. If in doubt, consult an expert.

Assembly is complete



If you need help or have damaged or missing parts, call the Customer Helpline: 03456 400800 and quote the reference numbers on the component pages.

Argos Ltd, 489-499 Avebury Boulevard, Central Milton Keynes, MK9 2NW