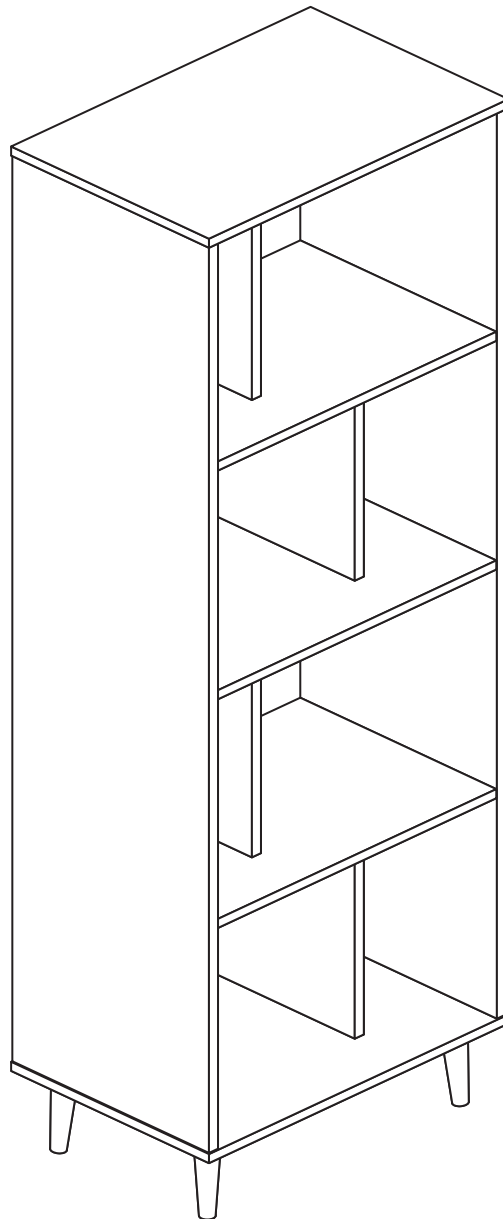


Berkeley - Bookcase

Assembly Instructions - Please keep for future reference

411/9681

hygena



Dimensions

Width - 49.5cm

Depth - 33cm

Height - 165cm



**MADE IN
BRITAIN**

Important - Please read these instructions fully before starting assembly

If you need help or have damaged or missing parts, call the **Customer Helpline: 03456 400800**



Safety and Care Advice

Important - Please read these instructions fully before starting assembly

- **Warning:** This unit weighs approximately 24kgs. Please lift with care.

- Check you have all the components and tools listed on pages 2 and 3.

- Remove all fittings from the plastic bags and separate them into their groups.

- Keep children and animals away from the work area, small parts could choke if swallowed.

- Parts of the assembly will be easier with 2 people.

- Make sure you have enough space to layout the parts before starting.

- Do not stand or put weight on the product, this could cause damage.

- Assemble the item as close to its final position (in the same room) as possible.

- Assemble on a soft level surface to avoid damaging the unit or your floor (use opened out unit carton).



- We do not recommend the use of power drill/drivers **for inserting screws**, as this could damage the unit. Only use hand screwdrivers.

- **Safety note:** It is recommended that this unit is secured to a wall using the overbalance protector kit supplied or, an alternative fixing method of your choice.

- Dispose of all packaging carefully and responsibly.

Care and maintenance

- Only clean using a damp cloth and mild detergent, do not use bleach or abrasive cleaners.

- From time to time check that there are no loose screws on this unit.

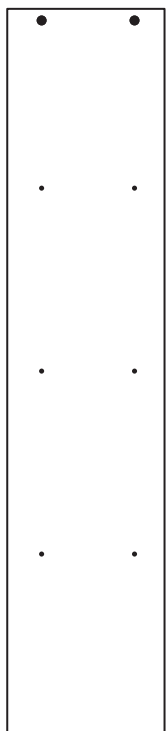
- This product should not be discarded with household waste. Take to your local authority waste disposal centre.

Note: If required the next page can be cut out and used as reference throughout the assembly. Keep this page with these instructions for future reference.

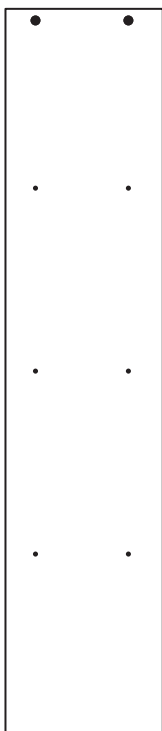
Components - Panels

If you have damaged or missing components, call the **Customer Helpline: 03456 400800** quoting the reference numbers below

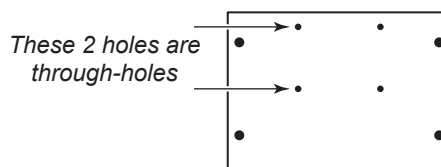
Please check you have all the panels listed below



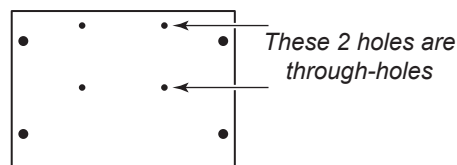
1 Left End (DF2899)
(1498 x 325mm)



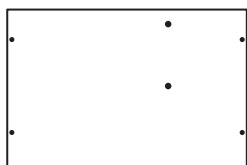
2 Right End (DF2900)
(1498 x 325mm)



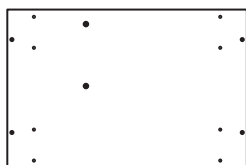
3 Middle Shelf (DF3746)
(461 x 323mm)



4 Top/Bottom Shelf (DF2902)
(461 x 323mm) x 2



5 Top (DF2897)
(495 x 327mm)



6 Base (DF2898)
(495 x 327mm)



7 Divider (DF1260)
(363 x 243mm) x 4



8 Back (X1524-487)
(1524 x 487mm)

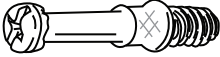

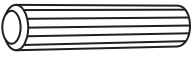


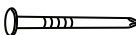

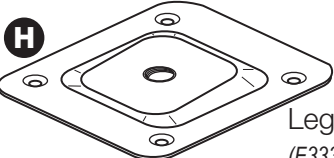
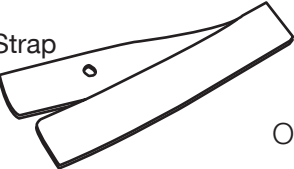





Components - Fittings

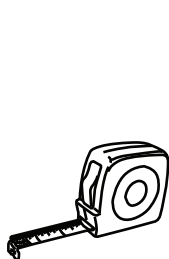
If you have damaged or missing components, call the **Customer Helpline: 03456 400800** quoting the reference numbers below

Please check you have all the fittings listed below

Note: The quantities below are the correct amount to complete the assembly. In some cases more fittings may be supplied than are required.

<p>A </p> <p>Metal dowel (F901) x 16</p>	<p>B </p> <p>Large locking nut (F900) x 16</p>	<p>C </p> <p>Wooden dowel (F22) x 16</p>
<p>D </p> <p>40mm Screw (F910) x 4</p>	<p>E </p> <p>13mm Screw (F79) x 16</p>	<p>F </p> <p>Nail (F51) x 30</p>
<p>G </p> <p>Leg (F343) x 4</p>	<p>H </p> <p>Leg Bracket (F333) x 4</p>	
<p>I    </p> <p>Strap Screw Washer x 2</p> <p>Overbalance protector kit (F269) x 1</p>		

Tools required



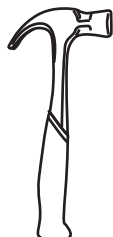
Rule



Cross-head screwdriver



Scissors



Hammer



Eye protection (when using a hammer or drill)



Electric drill (do not use for fitting screws)

Ruler - Use this ruler to help correctly identify the screws



Assembly Instructions

If you have damaged or missing components, call the Customer Helpline: 03456 400800 quoting the reference numbers below

Step 1

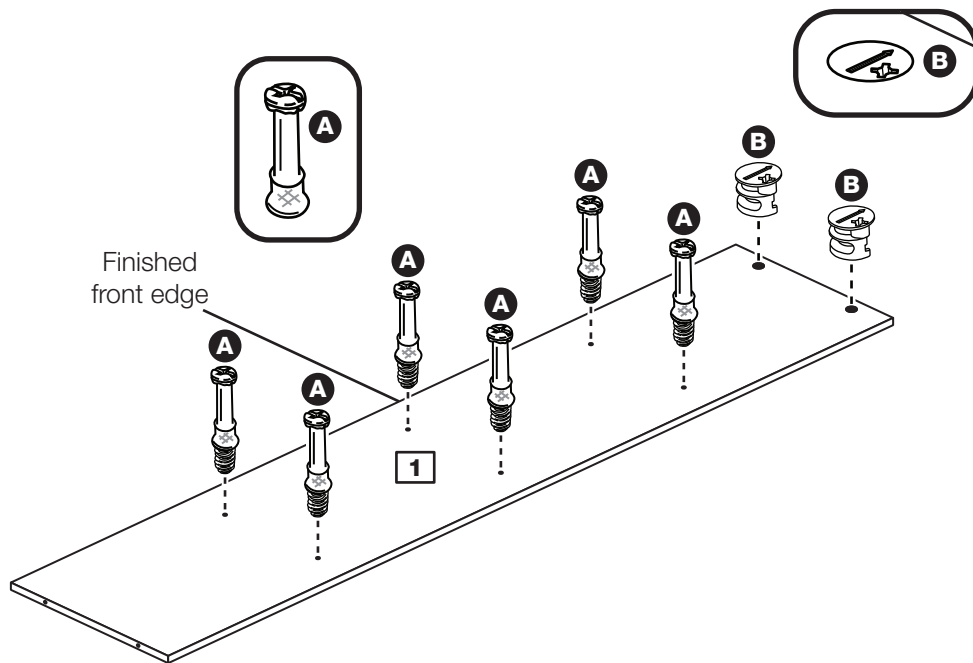
Prepare the left end

Screw 6 metal dowels **A** into the left end **1**.

Note: Tighten the metal dowels up fully against the panels.

Insert 2 large locking nuts **B** into the left side **1**.

Note: The arrow on the locking nut **must** point towards the hole in the edge of the panel.

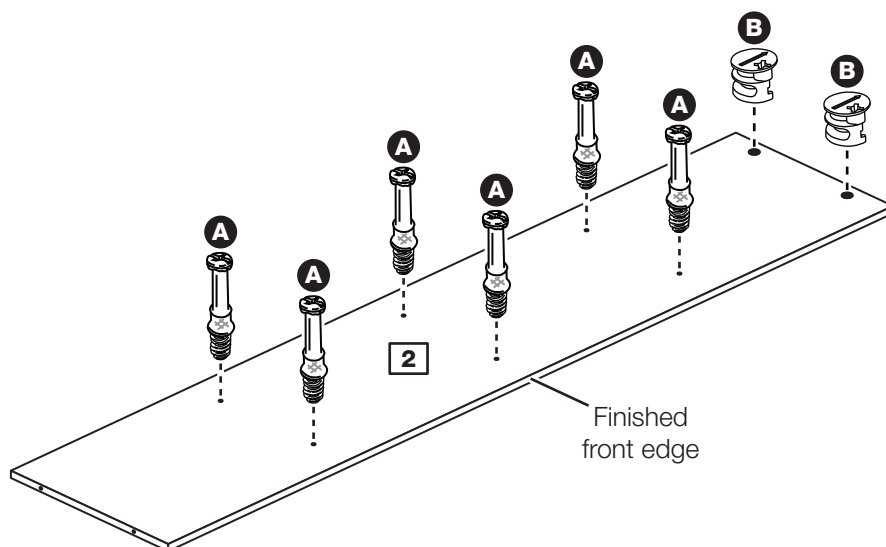


Step 2

Prepare the right end

Screw 6 metal dowels **A** into the right end **2**.

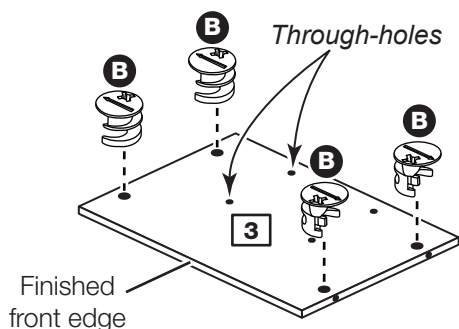
Insert 2 large locking nuts **B** into the right side **2**.



Step 3

Prepare the middle shelf

Insert 4 large locking nuts **B** into the middle shelf **3**.



Note: The middle shelf is similar to the top and bottom shelf. Make sure that the finished edge and the holes are in the same position as the diagram.

Assembly Instructions

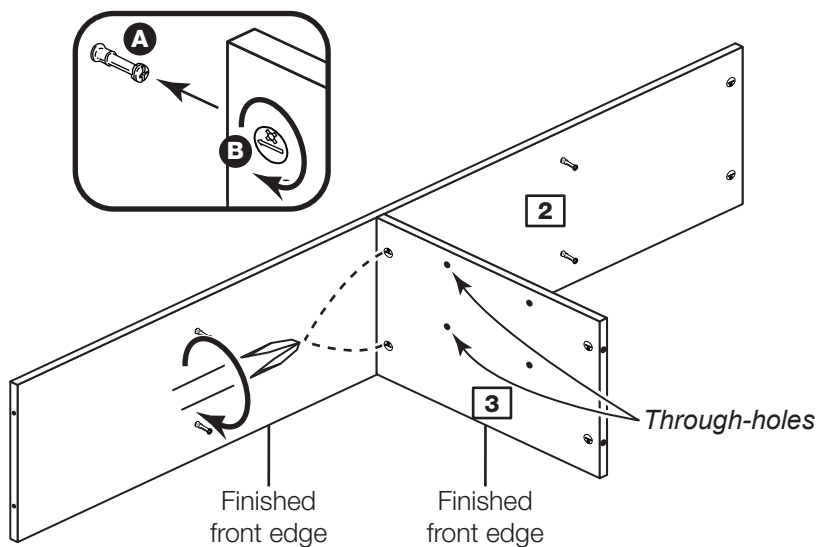
Step 4

Fit the middle shelf to the right end

Push the middle shelf **3** onto the right end **2**.

Use a screwdriver to tighten the 2 large locking nuts **B** fitted to the middle shelf **3**.

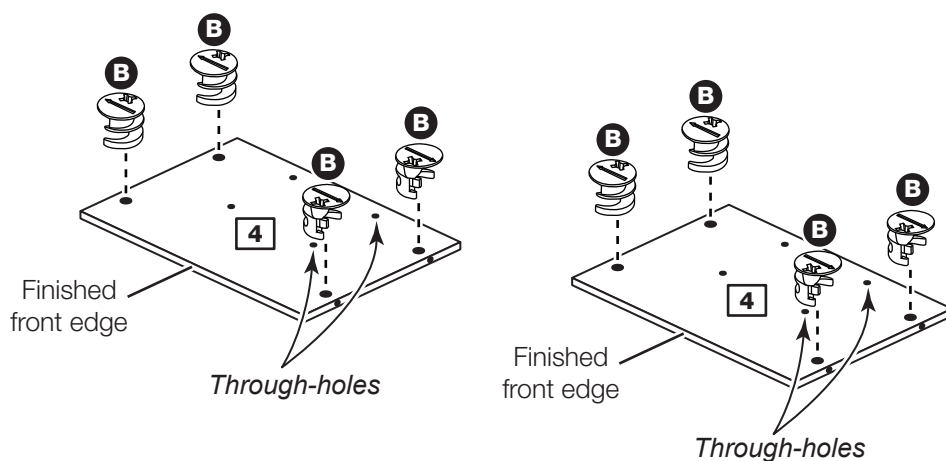
Note: Turn the large locking nuts **B** as far as they will go - more than 1/2 a turn.



Step 5

Prepare the top and bottom shelves

Insert 4 large locking nuts **B** into the top shelf **4** and the bottom shelf **4**.

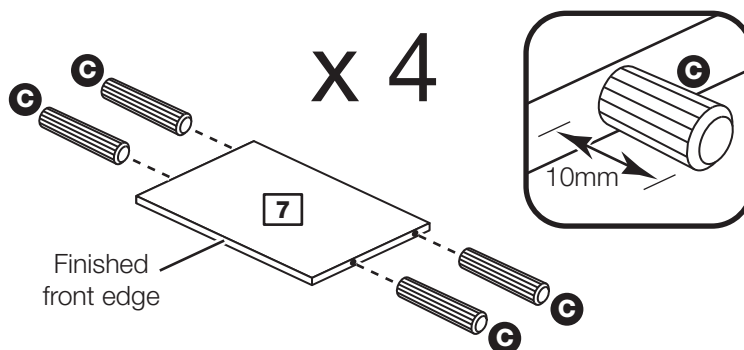


Step 6

Prepare the 4 dividers

Tap 4 wooden dowels **C** into each of the 4 dividers **7**.

Note: Wooden dowels **must not** stick out from the edge by more than 10mm or they may damage other panels.

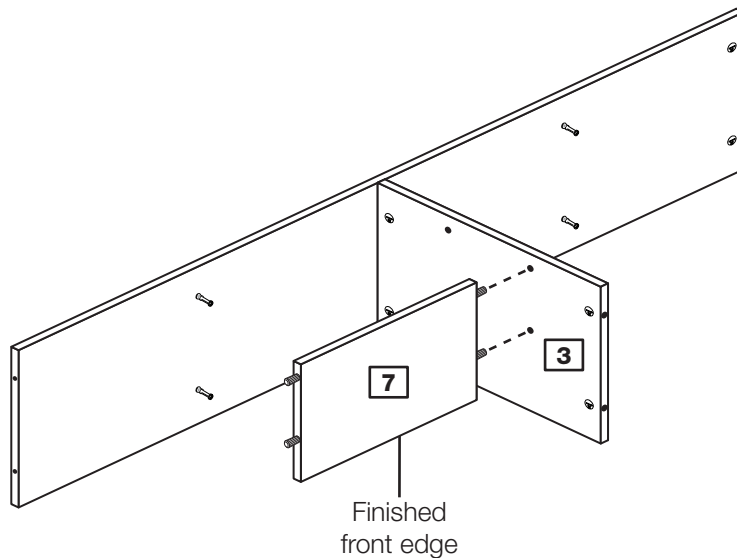


Assembly Instructions

Step 7

Fit a divider

Push a divider **7** onto the middle shelf **3**.

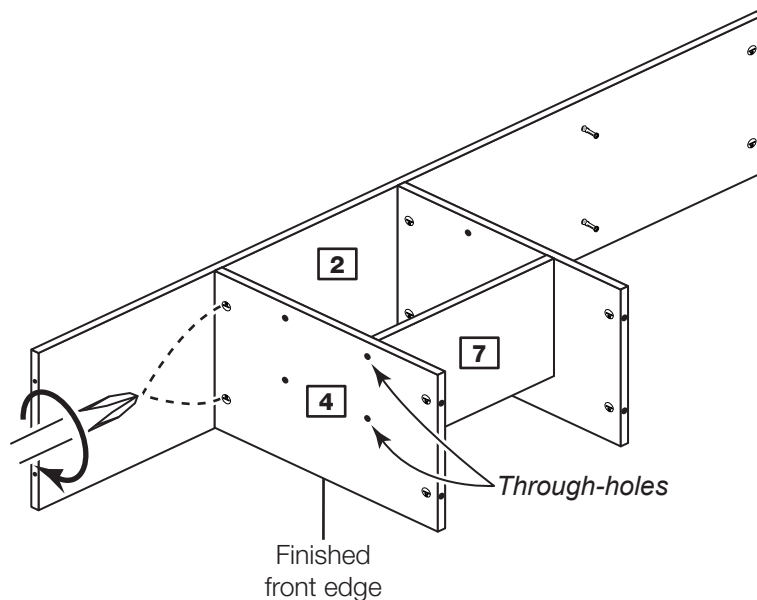


Step 8

Fit the bottom shelf

Push the bottom shelf **4** onto the right end **2** and the divider **7**.

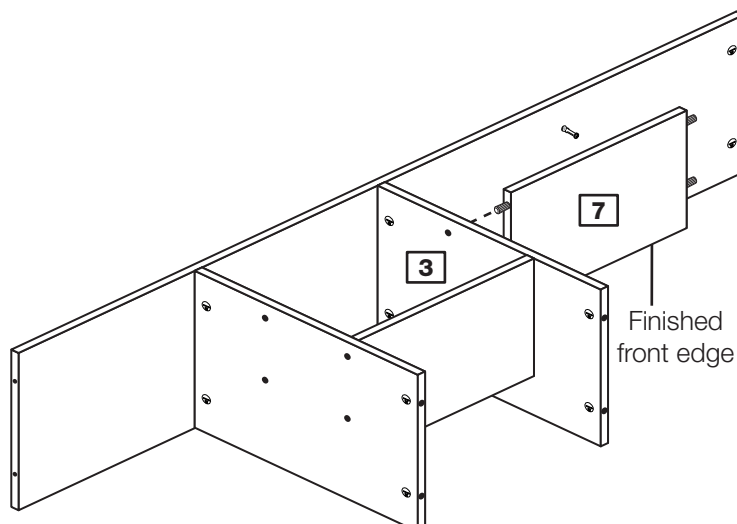
Use a screwdriver to tighten the 2 large locking nuts **B** fitted to the bottom shelf **4**.



Step 9

Fit a divider

Push a divider **7** onto the middle shelf **3**.



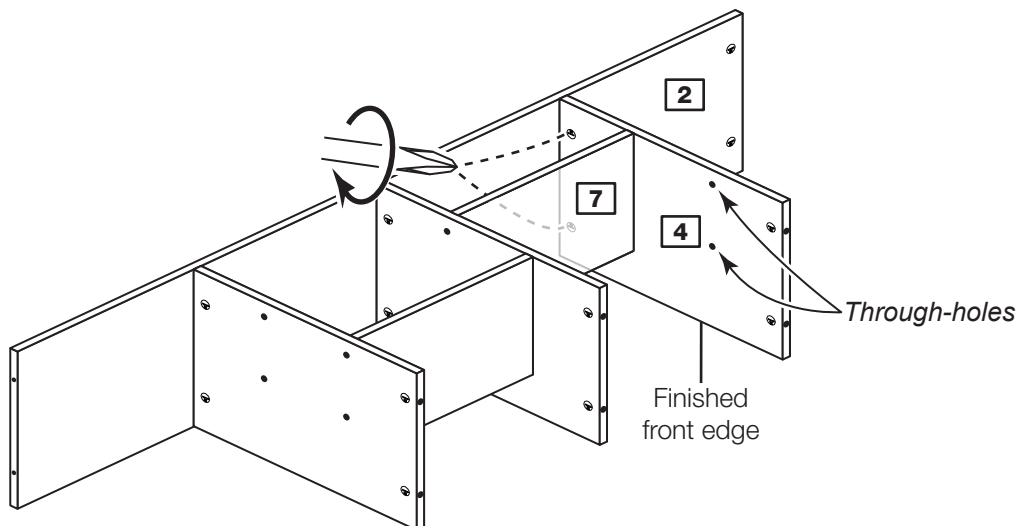
Assembly Instructions

Step 10

Fit the top shelf

Push the top shelf **4** onto the right end **2** and the divider **7**.

Use a screwdriver to tighten the 2 large locking nuts **B** fitted to the top shelf **4**.

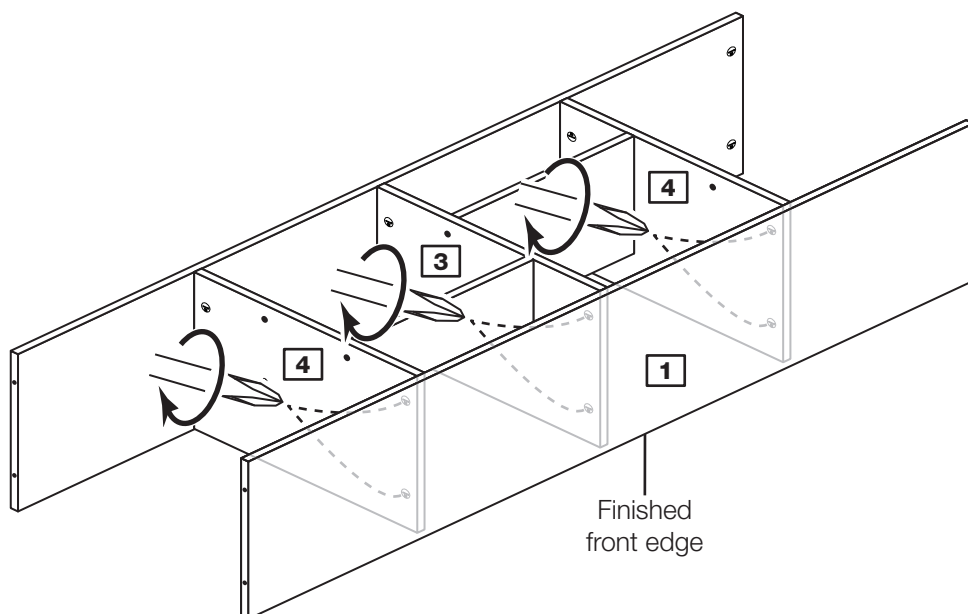


Step 11

Fit the left end

Push the left end **1** onto the assembly.

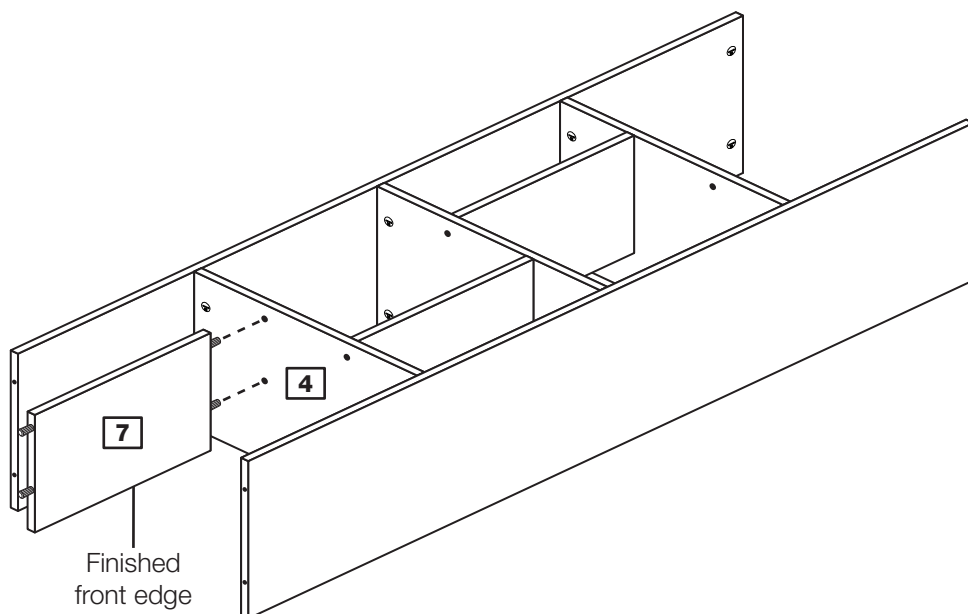
Use a screwdriver to tighten the 6 large locking nuts **B** fitted to the middle shelf **3**, top shelf **4** and bottom shelf **4**.



Step 12

Fit a divider

Push a divider **7** onto the bottom shelf **4**.

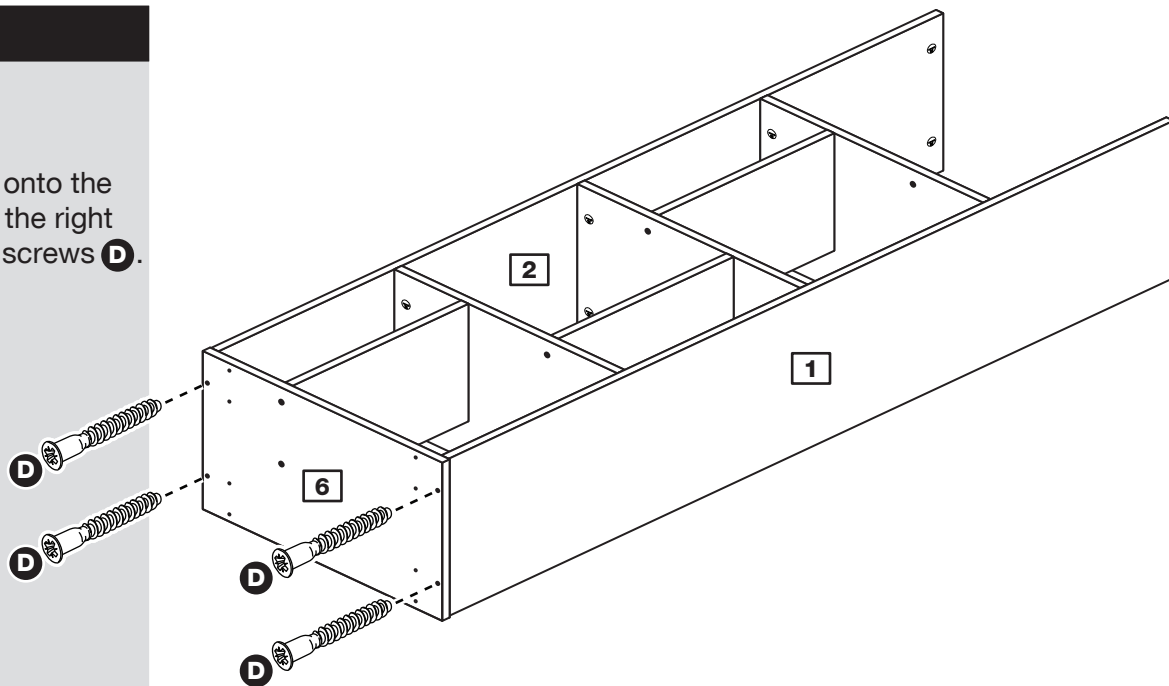


Assembly Instructions

Step 13

Fit the base

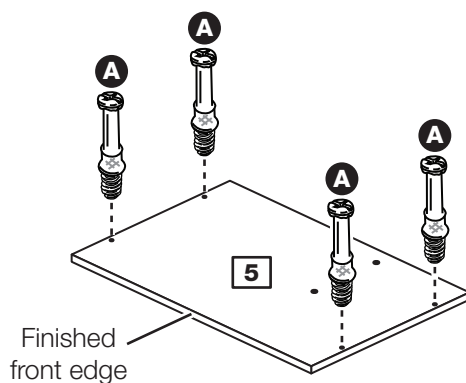
Fit the base **6** onto the left end **1** and the right end **2** using 4 screws **D**.



Step 14

Prepare the top

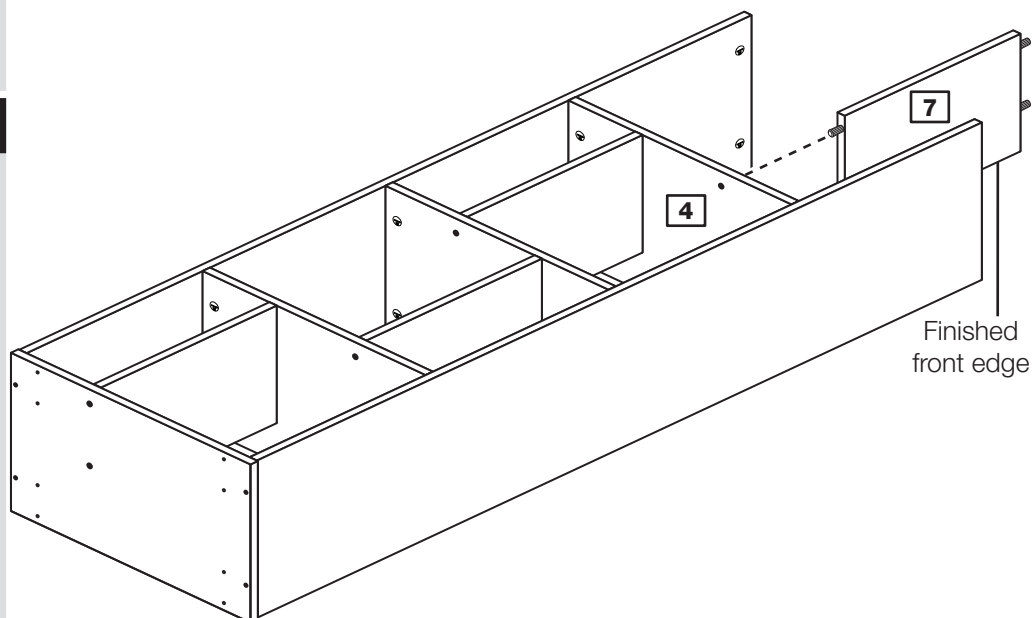
Screw 4 metal dowels **A** into the top **5**.



Step 15

Fit a divider

Push a divider **7** onto the top shelf **4**.



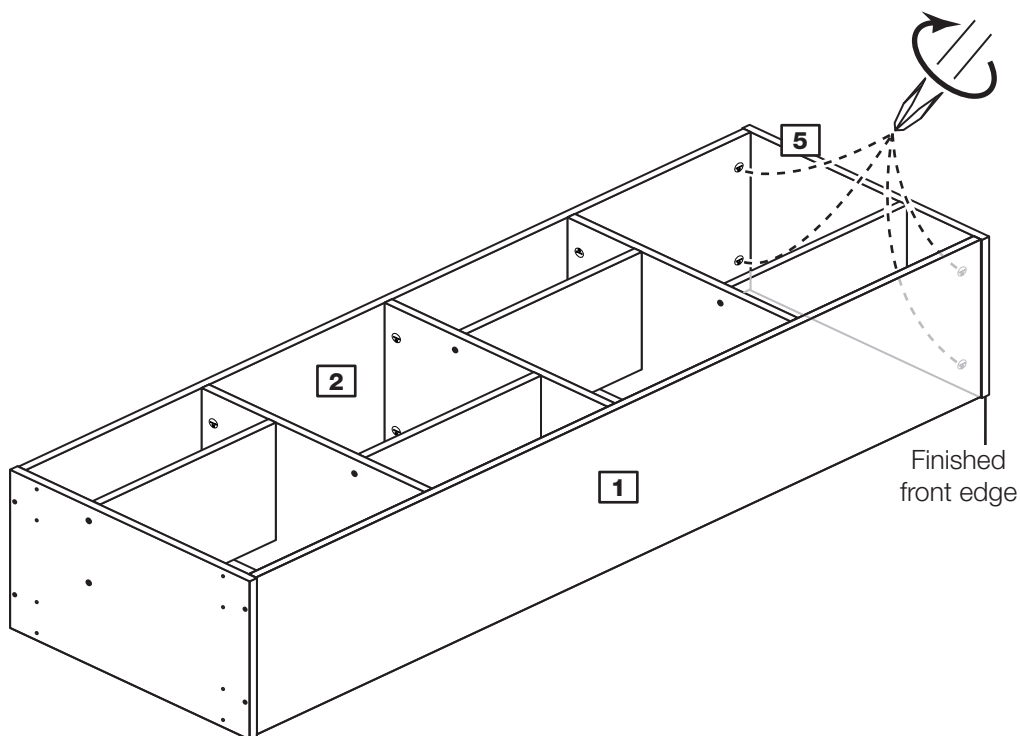
Assembly Instructions

Step 16

Fit the top

Push the top **5** onto the left end **1** and the right end **2**.

Use a screwdriver to tighten the 4 large locking nuts **B** fitted to the left end **1** and the right end **2**.

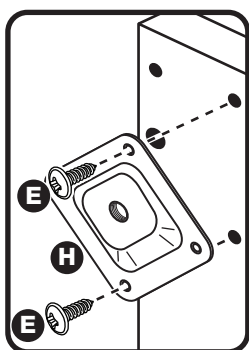


Step 17

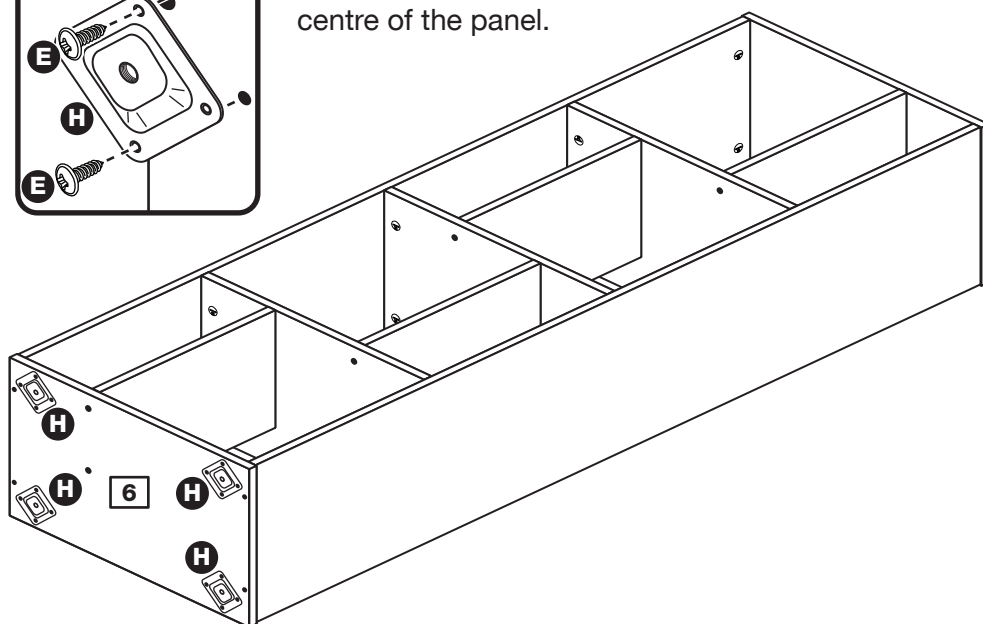
Fit the leg brackets to the base

a: Screw each leg bracket **H** to the base **6** using 2 screws **E** into the mark holes.

b: Then use another 2 screws **E** into the other 2 holes.



Note: The raised part of the leg bracket must point towards the centre of the panel.



Assembly Instructions

Step 18

Fit the back

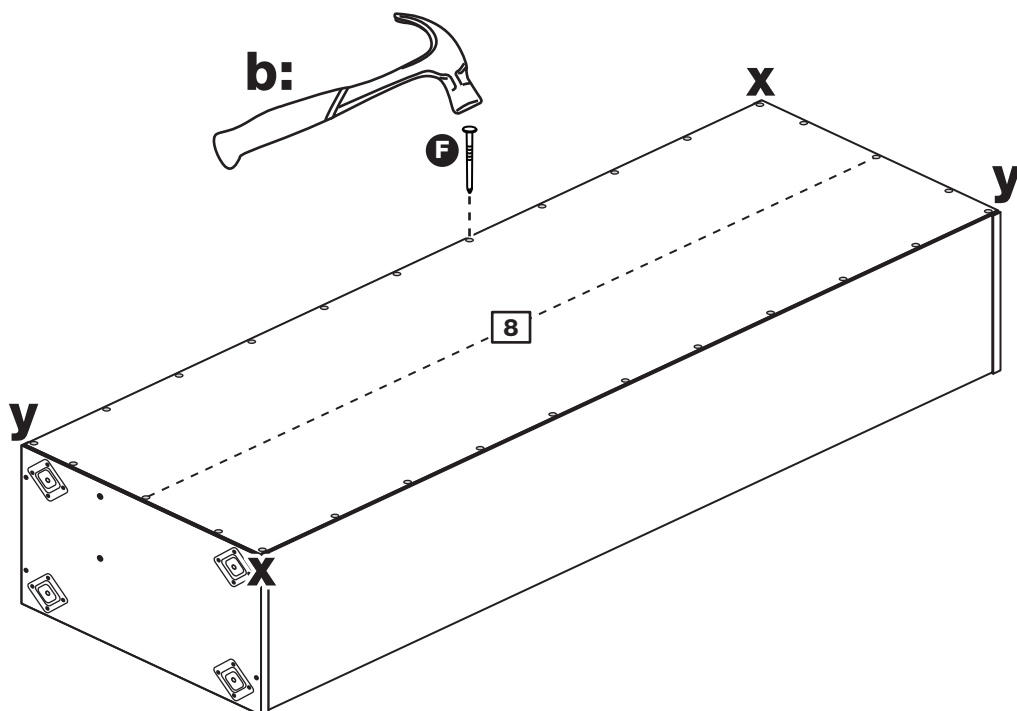
a: Square up the unit by making sure that measurement **x** to **x** equals **y** to **y**.

b: Place the back **8** onto the unit.

Nail **F** around the outside edges of the back **8**.

Note: Nails should be spaced about 150mm apart.

a: The measurement from top corner X to bottom corner X must be equal to the measurement from top corner Y to bottom corner Y

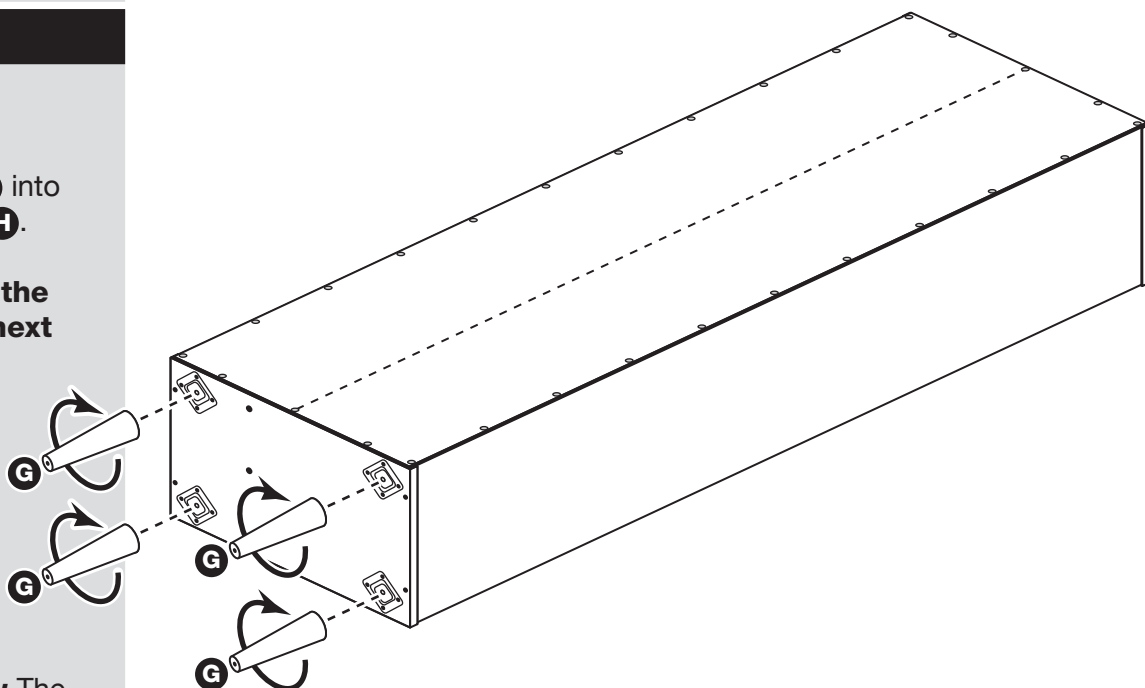


Step 19

Fit the legs

Screw the legs **G** into the leg brackets **H**.

Carefully stand the unit up for the next step.



Warning: The unit is heavy. Lift with care.

Assembly Instructions

Step 20

Fit the overbalance protector kit

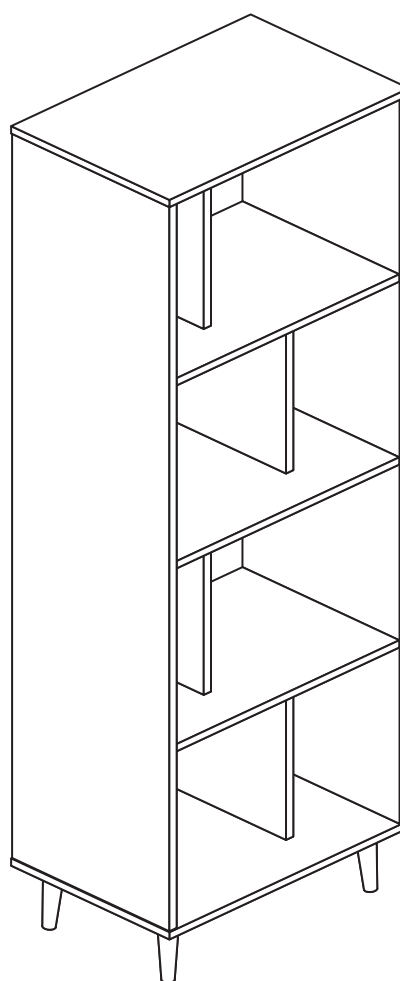
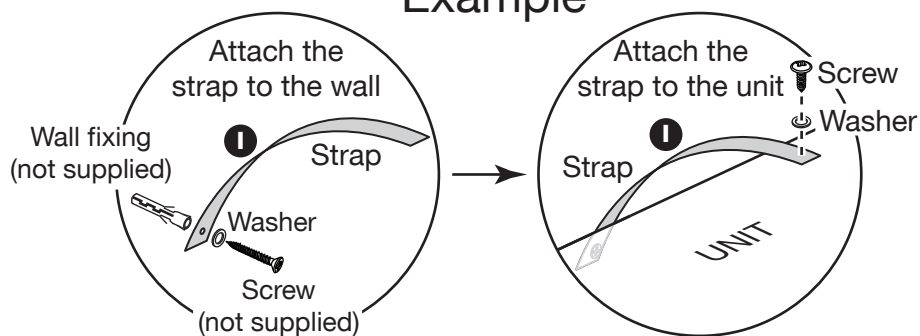
To prevent possible overbalancing we recommend that this unit is secured to a suitable wall by fitting of the overbalance protector kit **1** to the unit, or an alternative fixing method of your choice.

Wall fixings are not supplied as they will need to suit the wall type.

Note: Take care when drilling the wall that you do not drill into any pipes, wires etc. If in doubt, consult an expert.

Assembly is complete

Example



If you need help or have damaged or missing parts, call the Customer Helpline: 03456 400800 and quote the reference numbers on the component pages.

Argos Ltd, 489-499 Avebury Boulevard, Central Milton Keynes, MK9 2NW