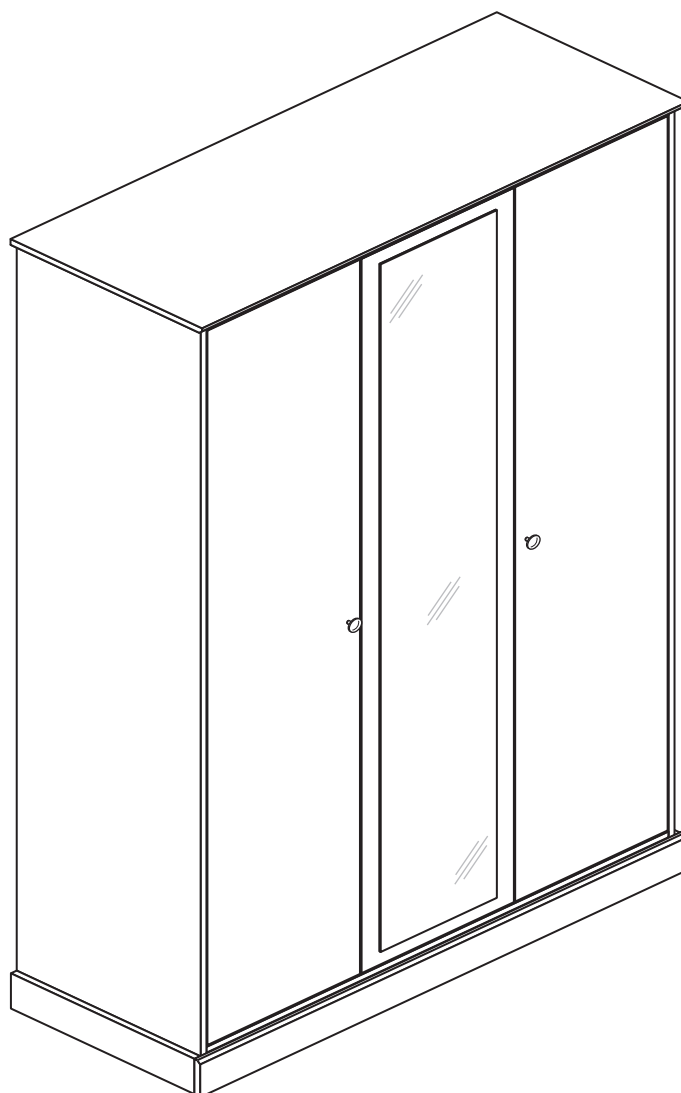


Kensington - 3 Door Mirror Robe

Assembly Instructions - Please keep for future reference

411/7542

413/6949



Dimensions

Width - 125.6cm

Depth - 49.5cm

Height - 198.8cm



**MADE IN
BRITAIN**

Important - Please read these instructions fully before starting assembly

If you need help or have damaged or missing parts, please visit www.argos-support.co.uk or email: Help@ClickSpares.co.uk (quoting your original order number)

Alternatively, call the Spares Helpline on: 0370 112 1928.

For any other queries please contact the Customer Helpline on: 0345 640 2020



Safety and Care Advice

Important - Please read these instructions fully before starting assembly

- **Warning:** This unit weighs approximately 93kgs. Please lift with care.
- Check you have all the components and tools listed on pages 2 and 3.
- Remove all fittings from the plastic bags and separate them into their groups.
- Keep children and animals away from the work area, small parts could choke if swallowed.
- Parts of the assembly will be easier with 2 people.

- Make sure you have enough space to layout the parts before starting.
- Do not stand or put weight on the product, this could cause damage.
- Assemble the item as close to its final position (in the same room) as possible.
- Assemble on a soft level surface to avoid damaging the unit or your floor (use opened out unit carton).



• We do not recommend the use of power drill/drivers **for inserting screws**, as this could damage the unit. Only use hand screwdrivers.

- **Safety note:** It is recommended that this unit is secured to a wall using the overbalance protector kit supplied or, an alternative fixing method of your choice.
- Dispose of all packaging carefully and responsibly.

Care and maintenance

- Only clean using a damp cloth and mild detergent, do not use bleach or abrasive cleaners.
- From time to time check that there are no loose screws on this unit.
- This product should not be discarded with household waste. Take to your local authority waste disposal centre.

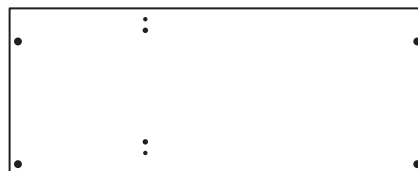
Components - Panels

If you need help or have damaged or missing parts, please visit www.argos-support.co.uk or email: Help@ClickSpares.co.uk (quoting your original order number)
Alternatively, call the Spares Helpline on: 0370 112 1928.
For any other queries please contact the Customer Helpline on: 0345 640 2020

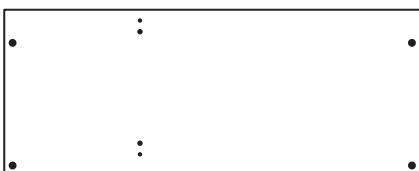
Please check you have all the panels listed below



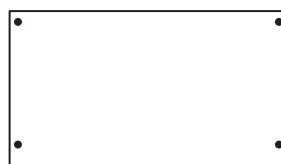
1 Top (DF3757)
(125.6 x 49.5cm)



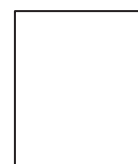
2 Base (DF3765)
(119.4 x 47.4cm)



3 Inner Top (DF3766)
(119.4 x 47.4cm)



4 Wide Shelf (DF3761)
(79.7 x 45cm)



5 Narrow Shelf (DF3764)
(38.2 x 45cm) x 4

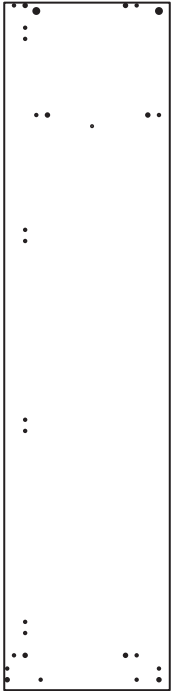
Components - Panels

If you need help or have damaged or missing parts, please visit www.argos-support.co.uk or email: Help@ClickSpares.co.uk (quoting your original order number)

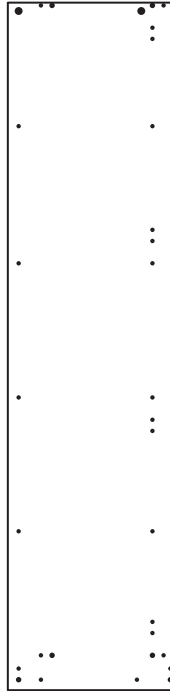
Alternatively, call the Spares Helpline on: 0370 112 1928.

For any other queries please contact the Customer Helpline on: 0345 640 2020

Please check you have all the panels listed below



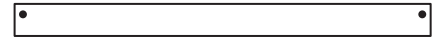
6 Left Side (DF3758)
(197.3 x 47.5cm)



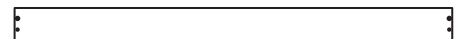
7 Right Side (DF3759)
(197.3 x 47.5cm)



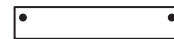
8 Divider (DF3763)
(185.1 x 45.1cm)



9 Rail (DF3760)
(119.4 x 9.2cm) x 2



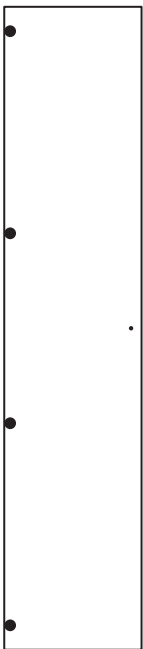
10 Front Plinth (DF3762)
(125.6 x 9.2cm)



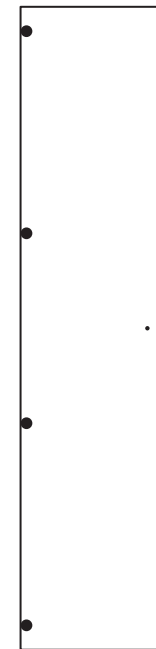
11 Side Plinth (DF2431)
(47.5 x 9.1cm) x 2



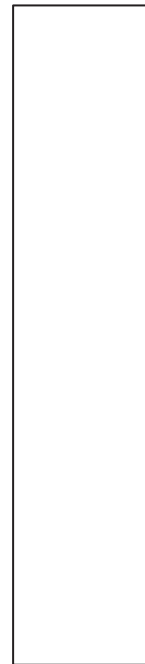
12 Hanging Rail (FHR791)
(79.1cm long)



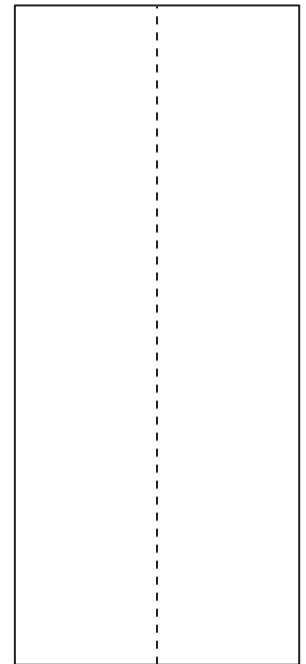
13 Plain Door (DF3767)
(184.5 x 39.4cm) x 2



14 Mirror Door (DF5210)
(184.5 x 39.4cm)
(Mirror - SG29
177.6 x 30cm
Safety Back SAR)



15 Small Back (X1892-401)
(189.2 x 40.1cm)



16 Large Back (X1892-816)
(189.2 x 81.6cm)



Components - Fittings

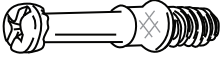

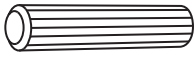






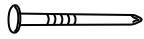
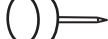

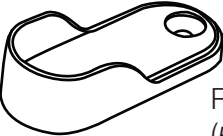

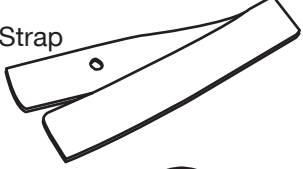



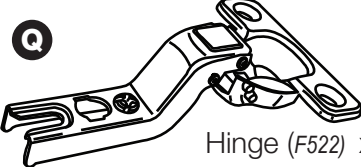
If you need help or have damaged or missing parts, please visit www.argos-support.co.uk or email: Help@ClickSpares.co.uk (quoting your original order number)

Alternatively, call the Spares Helpline on: 0370 112 1928.

For any other queries please contact the Customer Helpline on: 0345 640 2020

Please check you have all the fittings listed below

Note: The quantities below are the correct amount to complete the assembly. In some cases more fittings may be supplied than are required.

<p>A </p> <p>Metal dowel (F901) x 24</p>	<p>B </p> <p>Large locking nut (F900) x 24</p>	<p>C </p> <p>Wooden dowel (F22) x 26</p>
<p>D </p> <p>40mm Screw (F910) x 2</p>	<p>E </p> <p>25mm Screw (F50) x 4</p>	<p>F </p> <p>19mm Screw (F461) x 2</p>
<p>G </p> <p>13mm Screw (F63) x 28</p>	<p>H </p> <p>Nail screw (F277) x 6</p>	<p>I </p> <p>Back holder (F276) x 6 *These can also be round</p>
<p>J </p> <p>Nail (F51) x 42</p>	<p>K </p> <p>Plastic Nail (F91) x 6</p>	<p>L </p> <p>Shelf stud (F110) x 16</p>
<p>M </p> <p>Rail Holder (F891) x 2</p>	<p>N </p> <p>Handle (F220) x 2</p>	<p>O </p> <p>Strap</p> <p> Screw  Washer x 2</p> <p>Overbalance protector kit (F269) x 1</p>
<p>P </p> <p>Hinge plate (F523) x 12</p>	<p>Q </p> <p>Hinge (F522) x 12</p>	

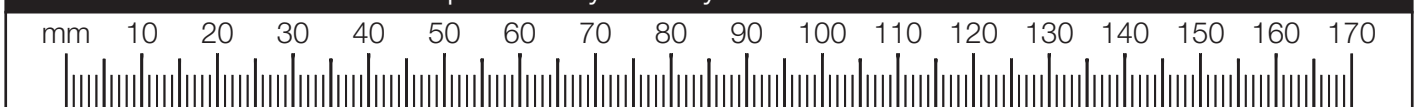
Tools required

Scissors / Rule / Hammer / Cross-head screwdriver / Square / Spirit level / Step ladder

Eye protection (when using a hammer or drill)

Electric drill (only use when drilling into walls)

Ruler - Use this ruler to help correctly identify the screws



Assembly Instructions

Step 1

Prepare the divider

a: Screw 2 metal dowels **A** into the divider **8**.

Note: Tighten the metal dowels up fully against the panels.

Insert 2 large locking nuts **B** into the divider **8**.

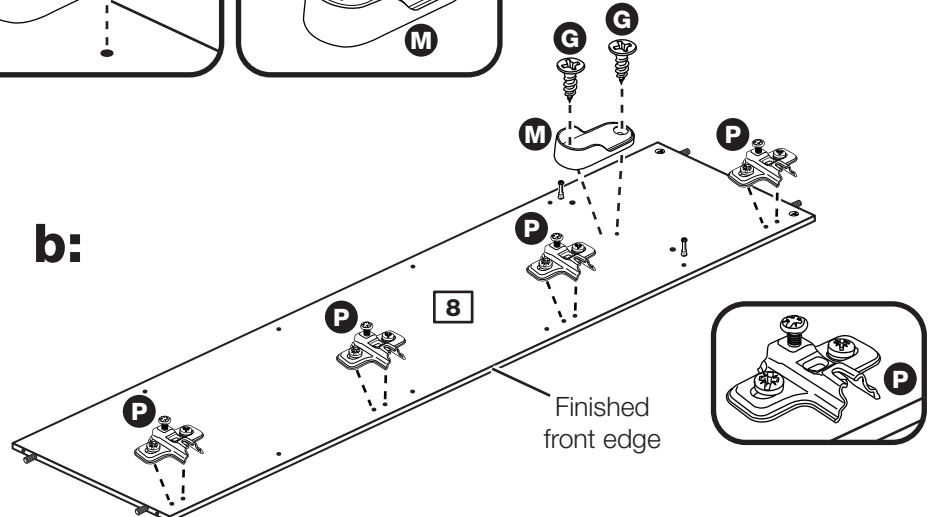
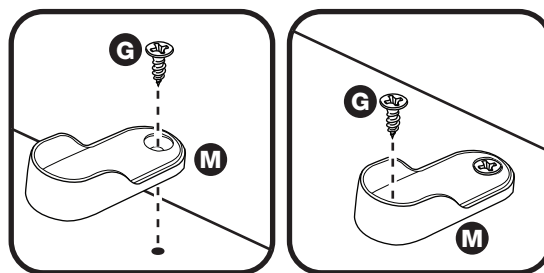
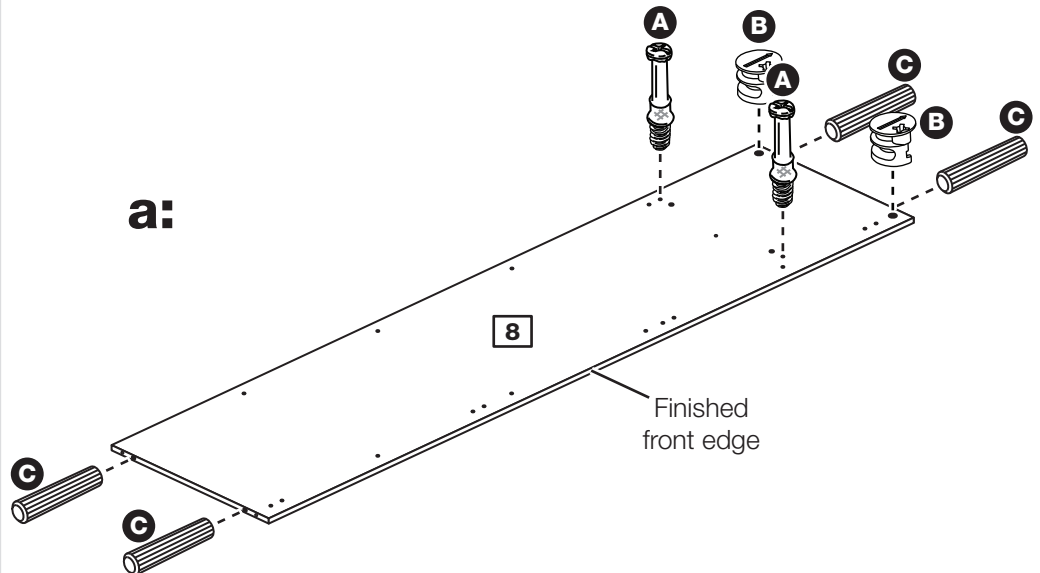
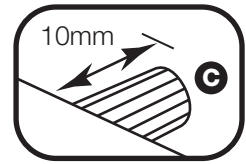
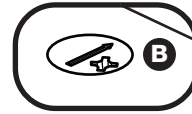
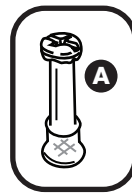
Note: The arrow on the locking nut **must** point towards the hole in the edge of the panel.

Tap 4 wooden dowels **C** into the divider **8**.

Note: Wooden dowels **must not** stick out from the edge by more than 10mm or they may damage other panels.

b: To fit the rail holder **M** screw through the top hole with screw **G** and into the mark hole drilled in the divider **8**. Make sure that it is fitted straight, in line with the panel edges and then fit another screw **G** using the lower hole.

Fit 4 hinge plates **P** onto the divider **8**, making sure that the slot is facing towards the finished front edge.



Assembly Instructions

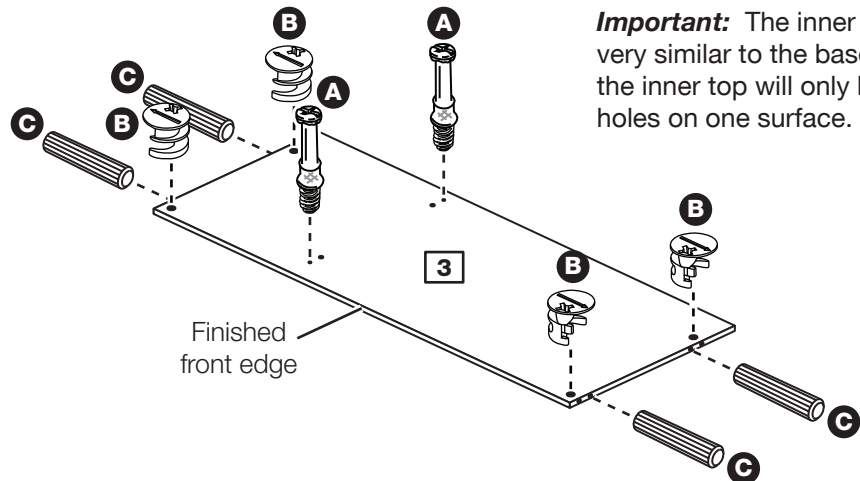
Step 2

Prepare the inner top

Screw 2 metal dowels **A** into the inner top **3**.

Insert 4 large locking nuts **B** into the inner top **3**.

Tap 4 wooden dowels **C** into the inner top **3**.



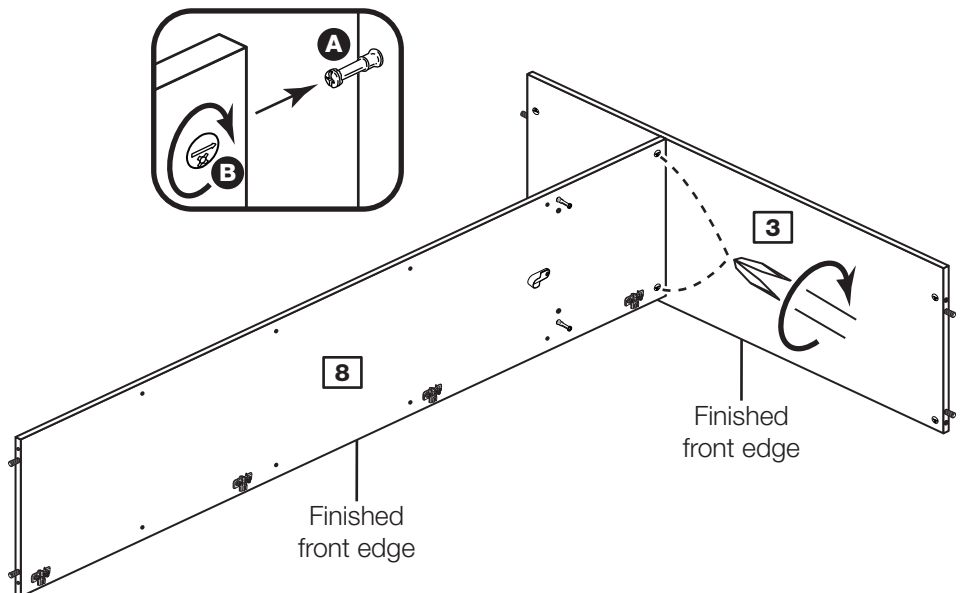
Step 3

Fit the inner top to the divider

Push the inner top **3** onto the divider **8**.

Use a screwdriver to tighten the 2 large locking nuts **B** fitted to the divider **8**.

Note: Turn the large locking nuts **B** as far as they will go - more than 1/2 a turn.

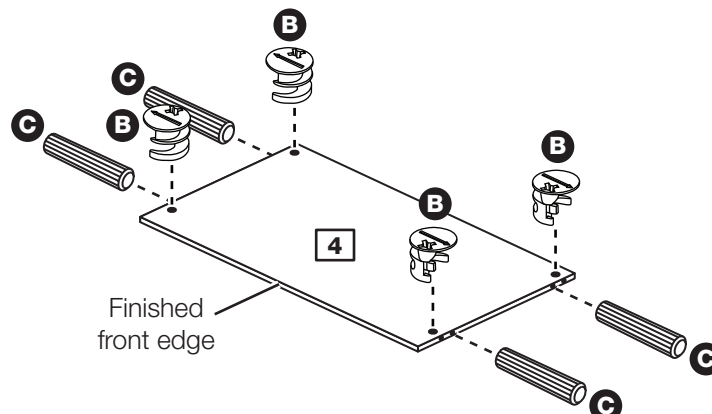


Step 4

Prepare the wide shelf

Insert 4 large locking nuts **B** into the wide shelf **4**.

Tap 4 wooden dowels **C** into the wide shelf **4**.



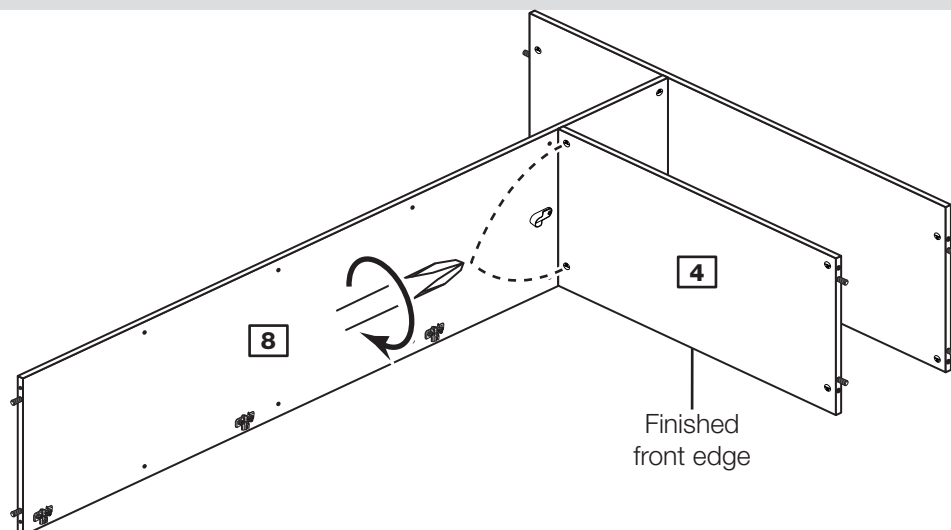
Assembly Instructions

Step 5

Fit the wide shelf

Push the wide shelf **4** onto the divider **8**.

Use a screwdriver to tighten the 2 large locking nuts **B** fitted to the wide shelf **4**.

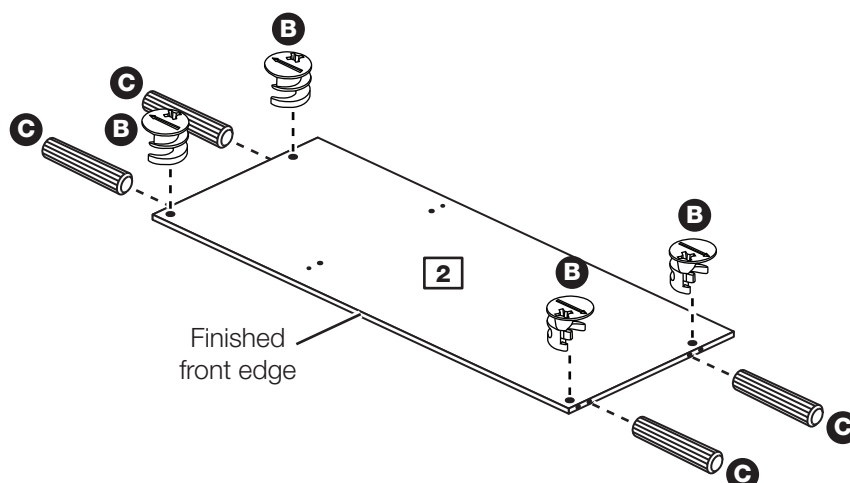


Step 6

Prepare the base

Insert 4 large locking nuts **B** into the base **2**.

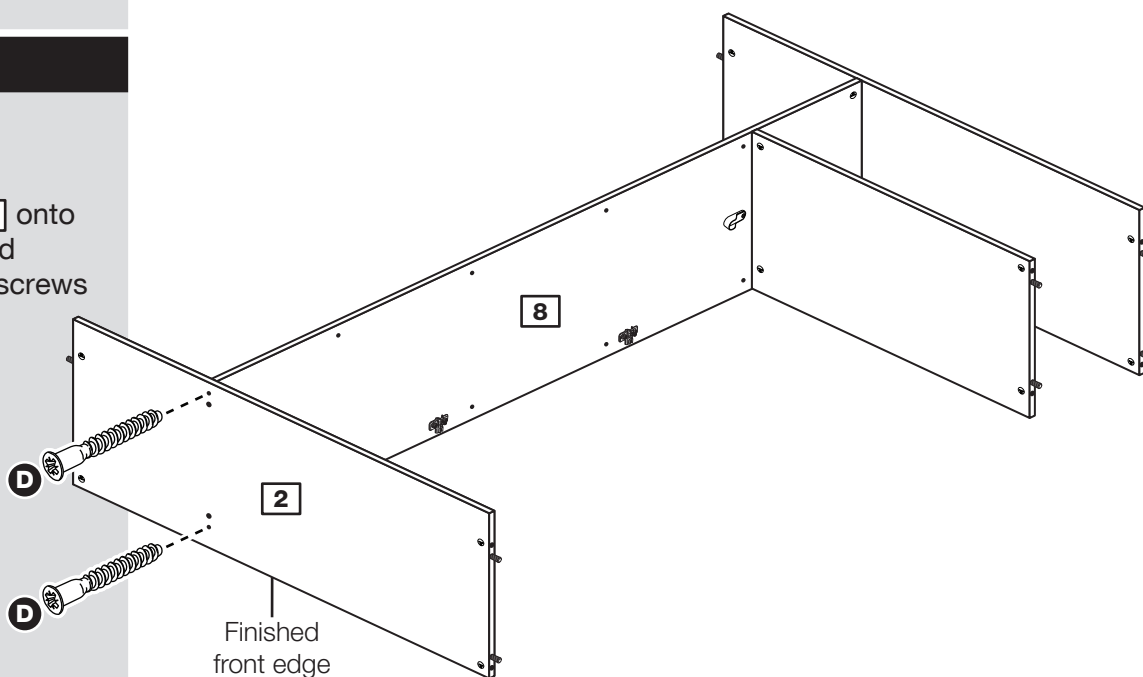
Tap 4 wooden dowels **C** into the base **2**.



Step 7

Fit the base

Push the base **2** onto the divider **8** and secure it using 2 screws **D**.



Assembly Instructions

Step 8

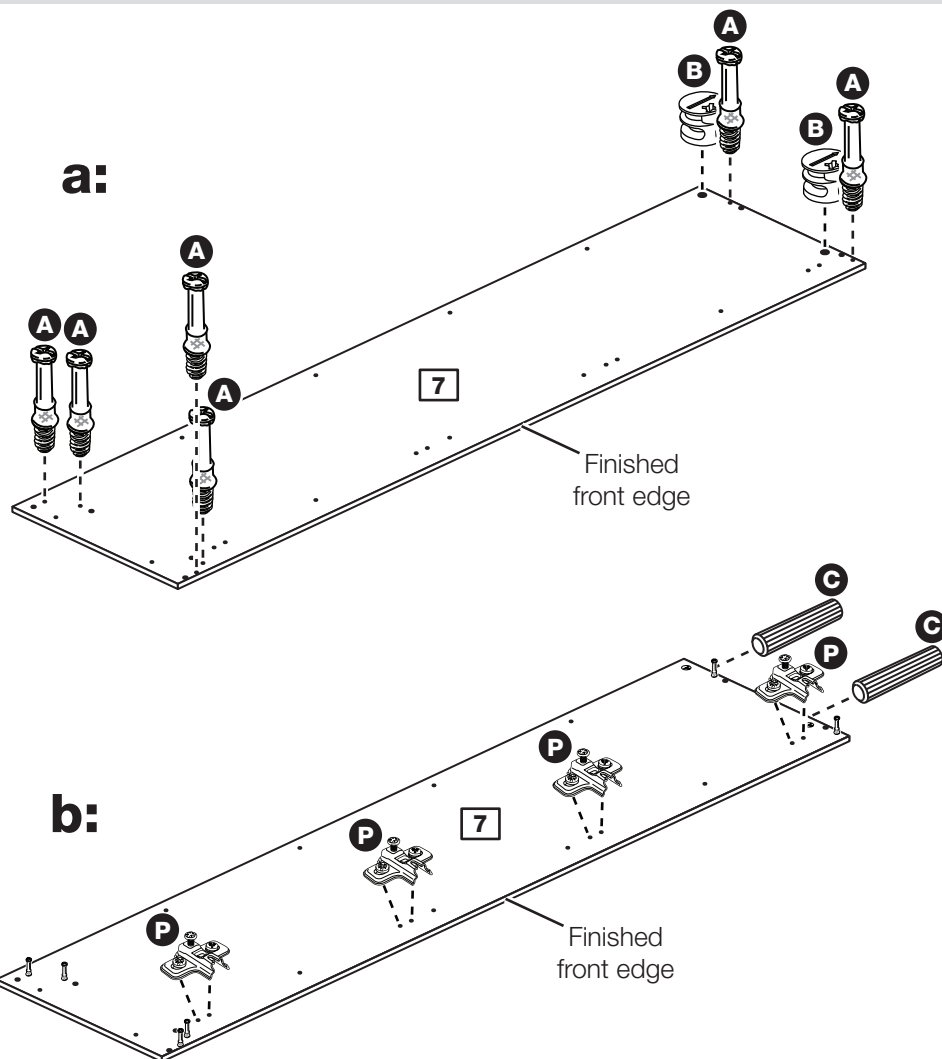
Prepare the right side

a: Screw 6 metal dowels **A** into the right side **7**.

Insert 2 large locking nuts **B** into the right side **7**.

b: Tap 2 wooden dowels **C** into the right side **7**.

Fit 4 hinge plates **P** onto the right side **7**, making sure that the slot is facing towards the finished front edge.

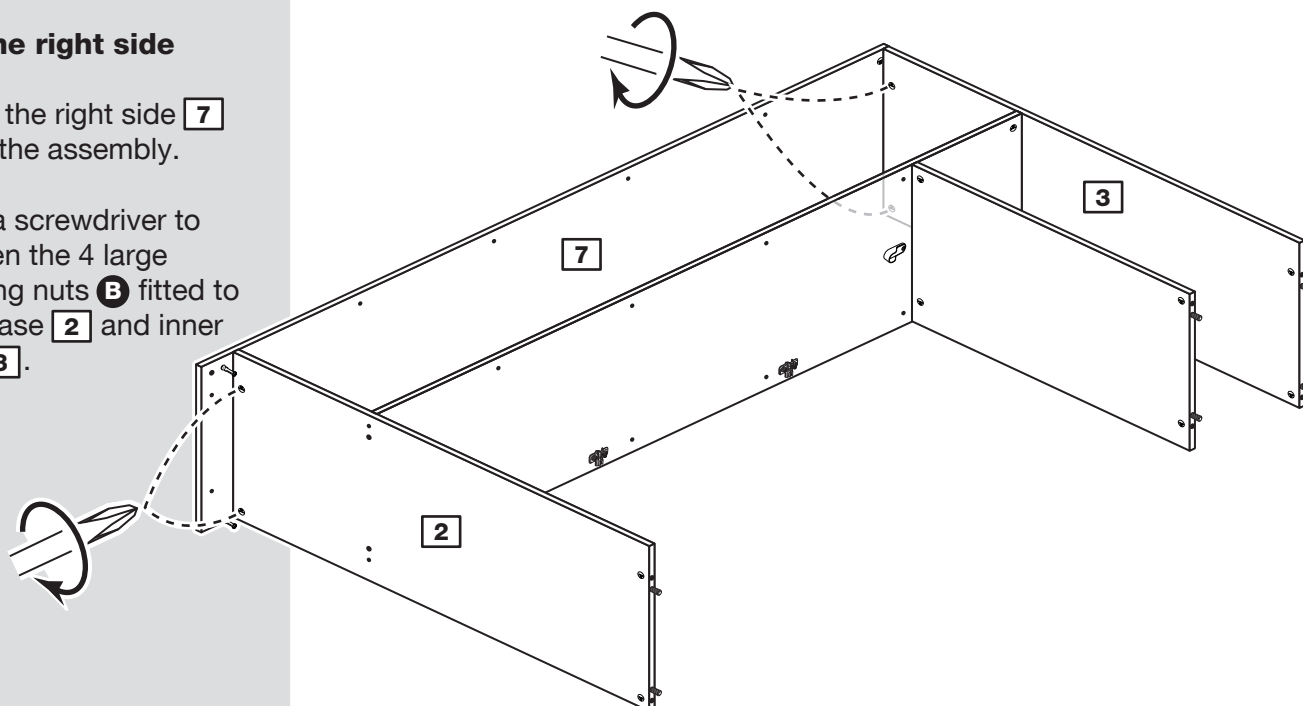


Step 9

Fit the right side

Push the right side **7** onto the assembly.

Use a screwdriver to tighten the 4 large locking nuts **B** fitted to the base **2** and inner top **3**.



Assembly Instructions

Step 10

Prepare the left side

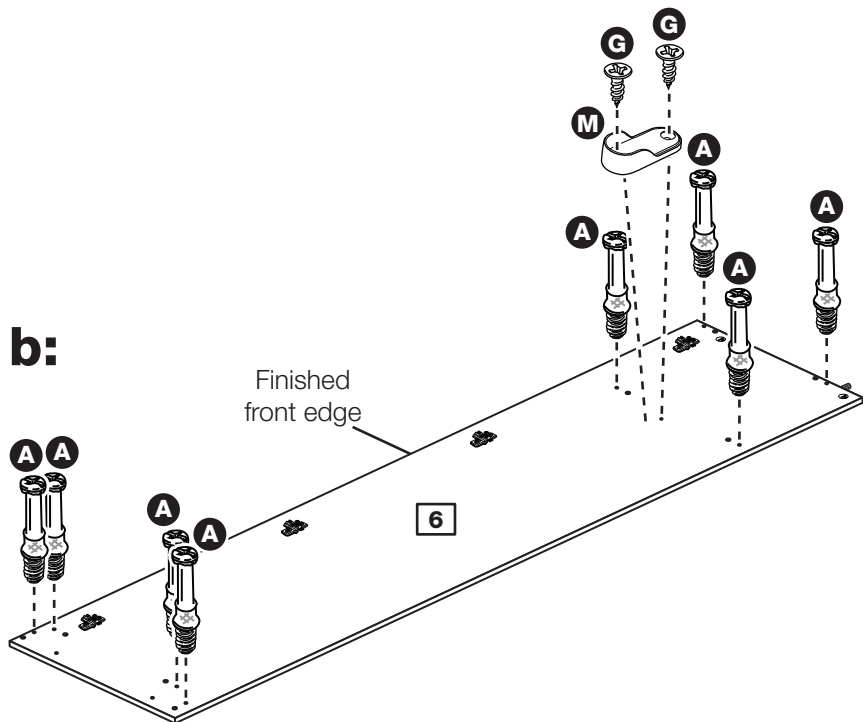
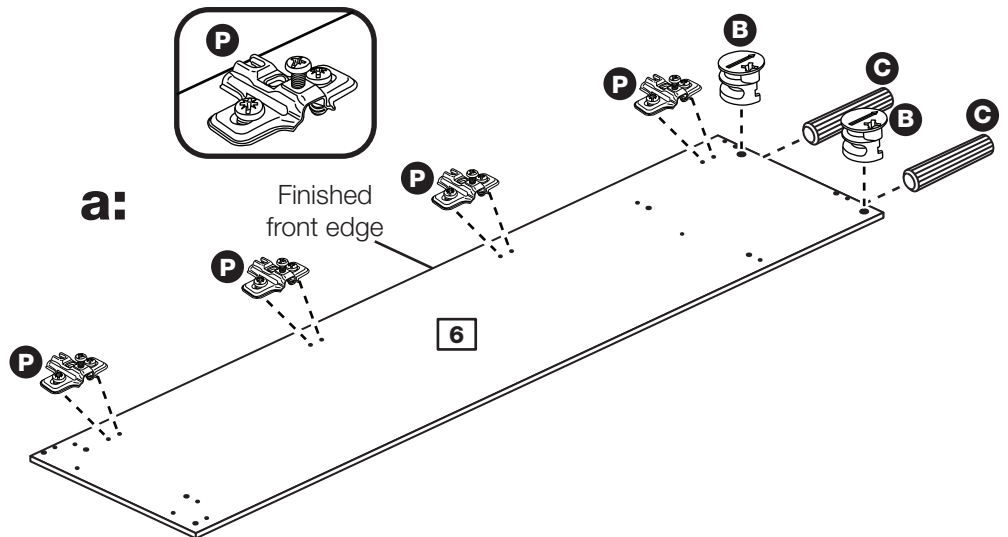
a: Insert 2 large locking nuts **B** into the left side **6**.

Tap 2 wooden dowels **C** into the left side **6**.

Fit 4 hinge plates **P** onto the left side **6**, making sure that the slot is facing towards the finished front edge.

b: Screw 8 metal dowels **A** into the left side **6**.

To fit the rail holder **M** screw through the top hole with screw **G** and into the mark hole drilled in the left side **6**. Make sure that it is fitted straight, in line with the panel edges and then fit another screw **G** using the lower hole.

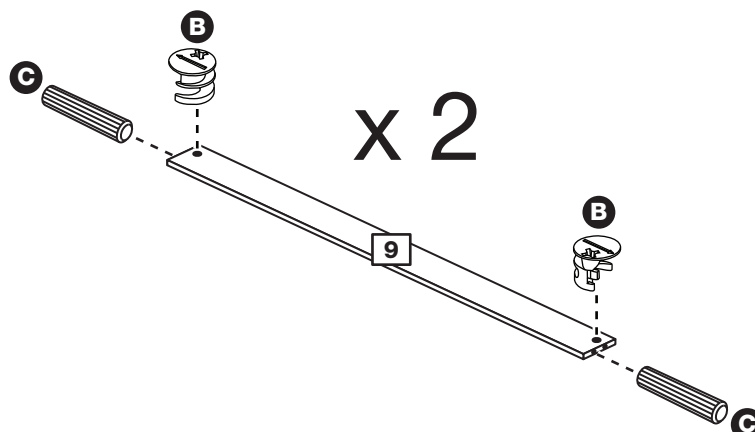


Step 11

Prepare the 2 rails

Insert 2 large locking nuts **B** into each of the 2 rails **9**.

Tap 2 wooden dowels **C** into each of the 2 rails **9**.



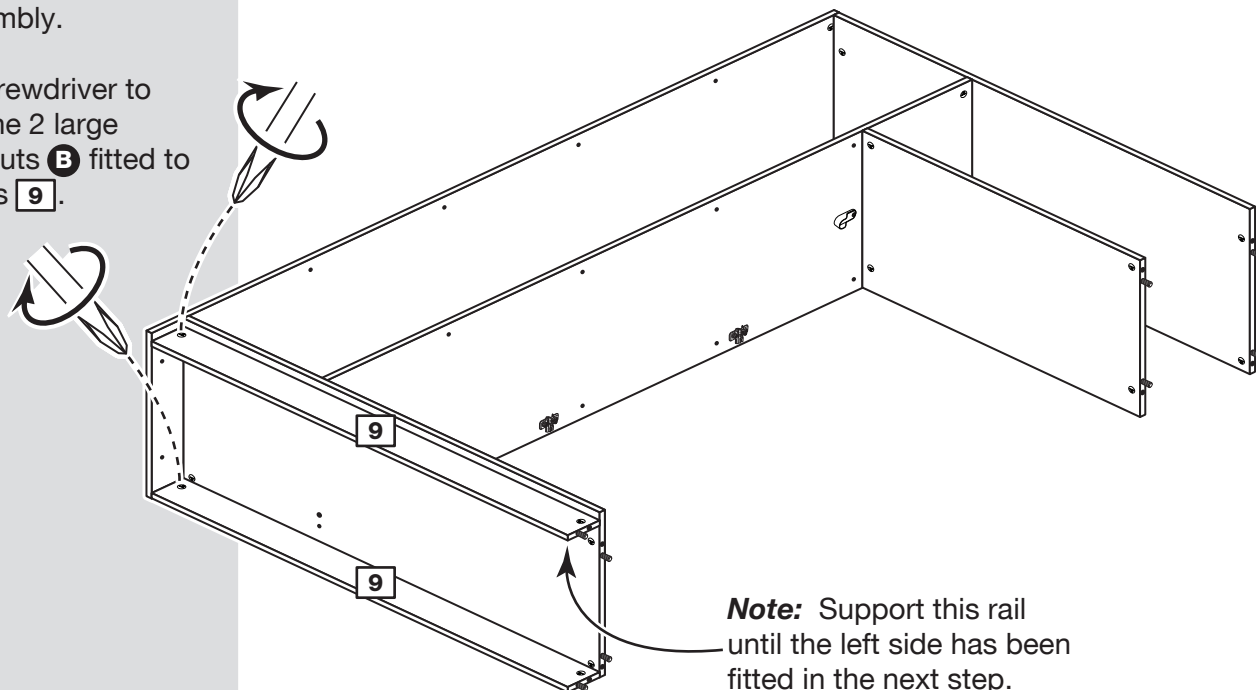
Assembly Instructions

Step 12

Fit the 2 rails

Push the 2 rails **9** onto the assembly.

Use a screwdriver to tighten the 2 large locking nuts **B** fitted to the 2 rails **9**.

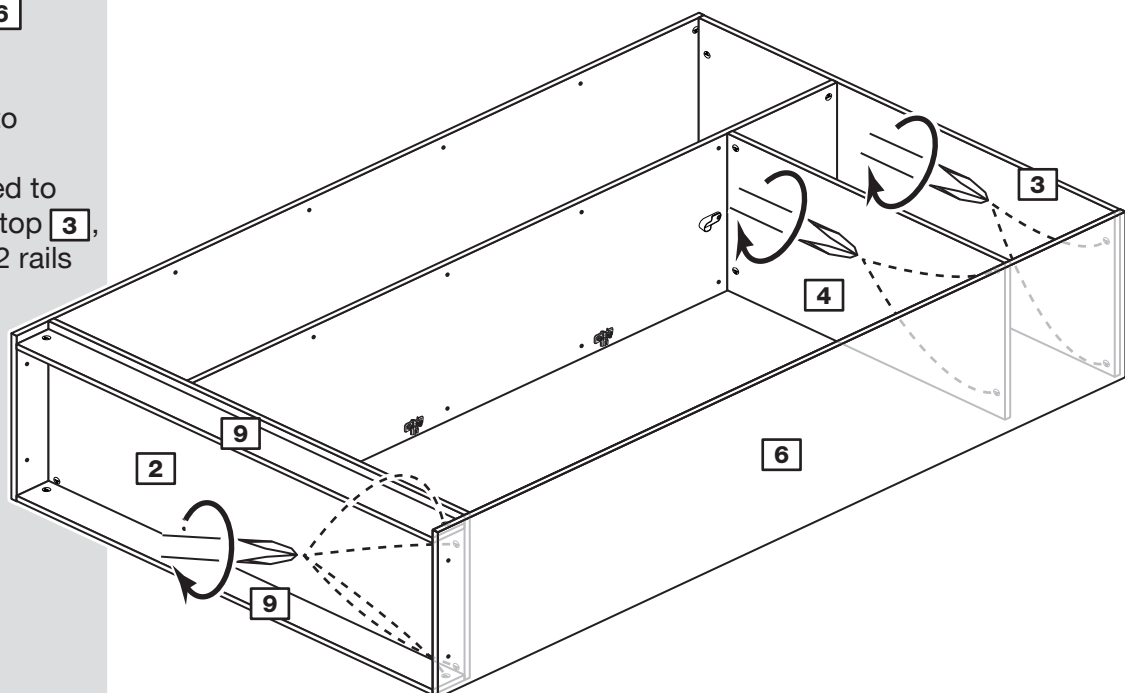


Step 13

Fit the right side

Push the left side **6** onto the assembly.

Use a screwdriver to tighten the 8 large locking nuts **B** fitted to the base **2**, inner top **3**, wide shelf **4** and 2 rails **9**.

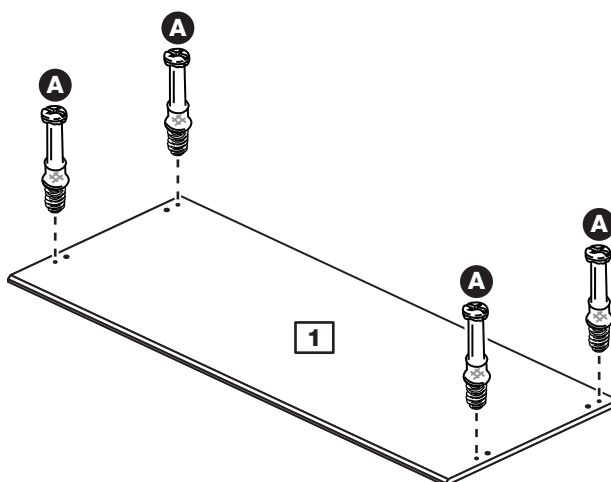


Assembly Instructions

Step 14

Prepare the top

Screw 4 metal dowels **A** into the top **1**.

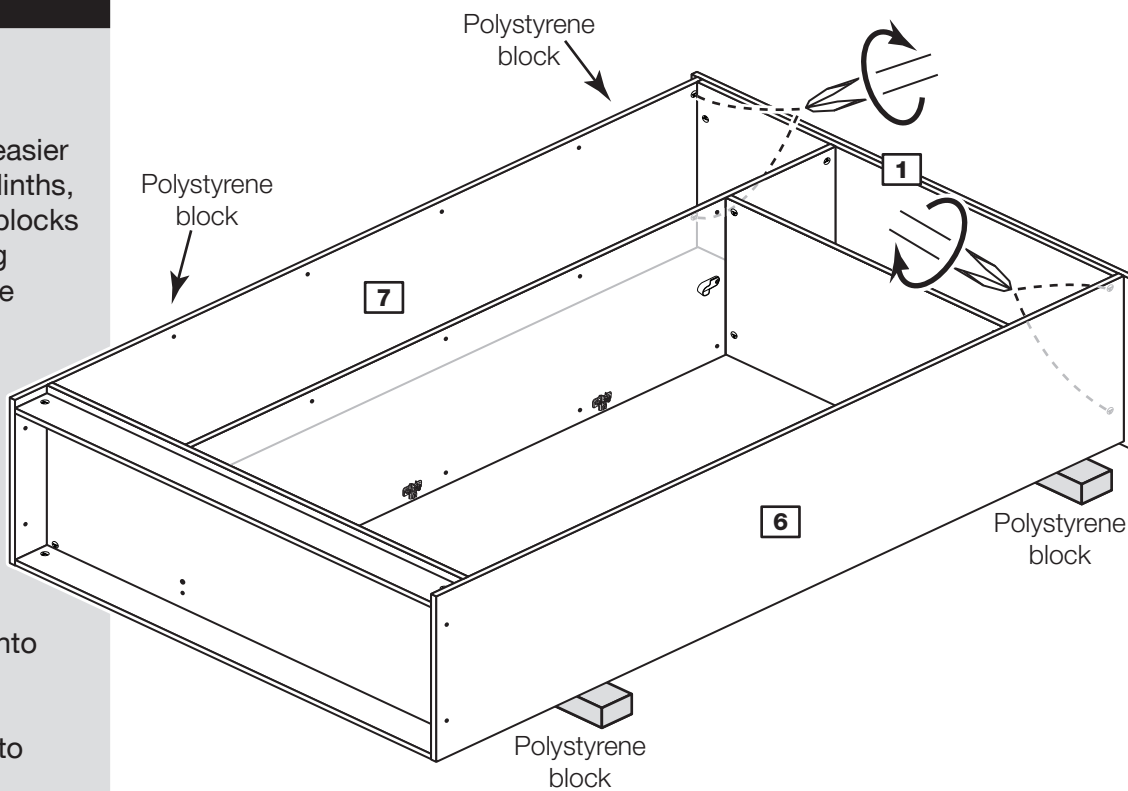


Warning: The unit is heavy. Lift with care.

Step 15

Fit the top

Note: To make it easier to fit the top and plinths, place polystyrene blocks from the packaging underneath the side panels to raise the assembly.



Push the top **1** onto the assembly.

Use a screwdriver to tighten the 4 large locking nuts **B** fitted to the sides **6** and **7**.

Assembly Instructions

Step 16

Fit the 2 back panels

a: Square up the unit by making sure that measurement **x:x equals y:y**.

Place the small back **15** and large back **16**, coloured surface facing down, onto the unit as shown.

Make sure that the 2 backs are pushed up tight against each other and that they meet in the centre of the divider's back edge.

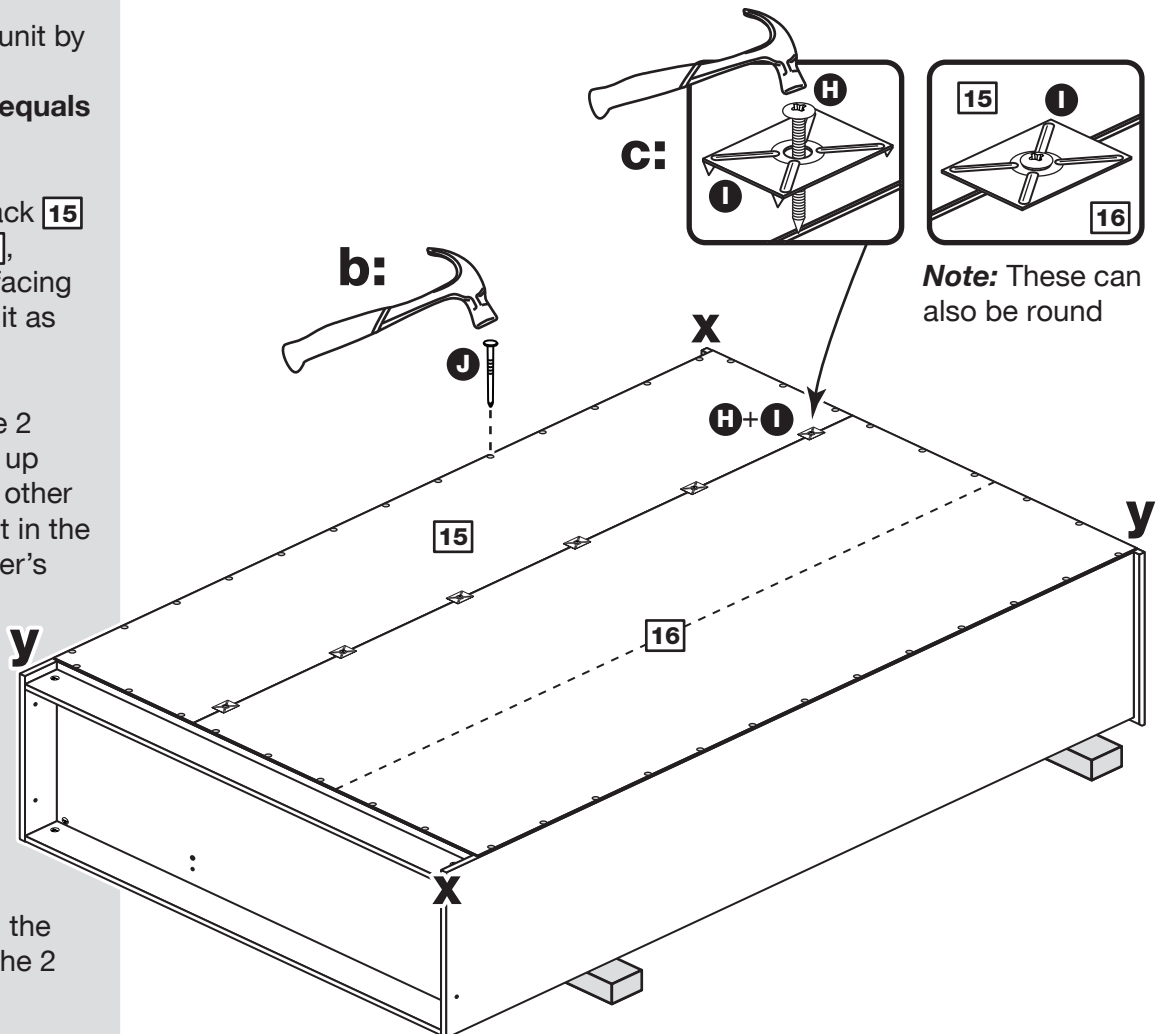
b: Nail **J** around the outside edges of the 2 backs.

Note: Do not nail where the 2 backs meet.

c: Push the nail screws **H** through the back holders **I** and tap them down between the small back **15** and large back **16** and into the back edge of the divider **8**.

Keep tapping the nail screws **H** in until the back holders **I** dig into the small and large back.

a: The measurement from top corner X to bottom corner X must be equal to the measurement from top corner Y to bottom corner Y

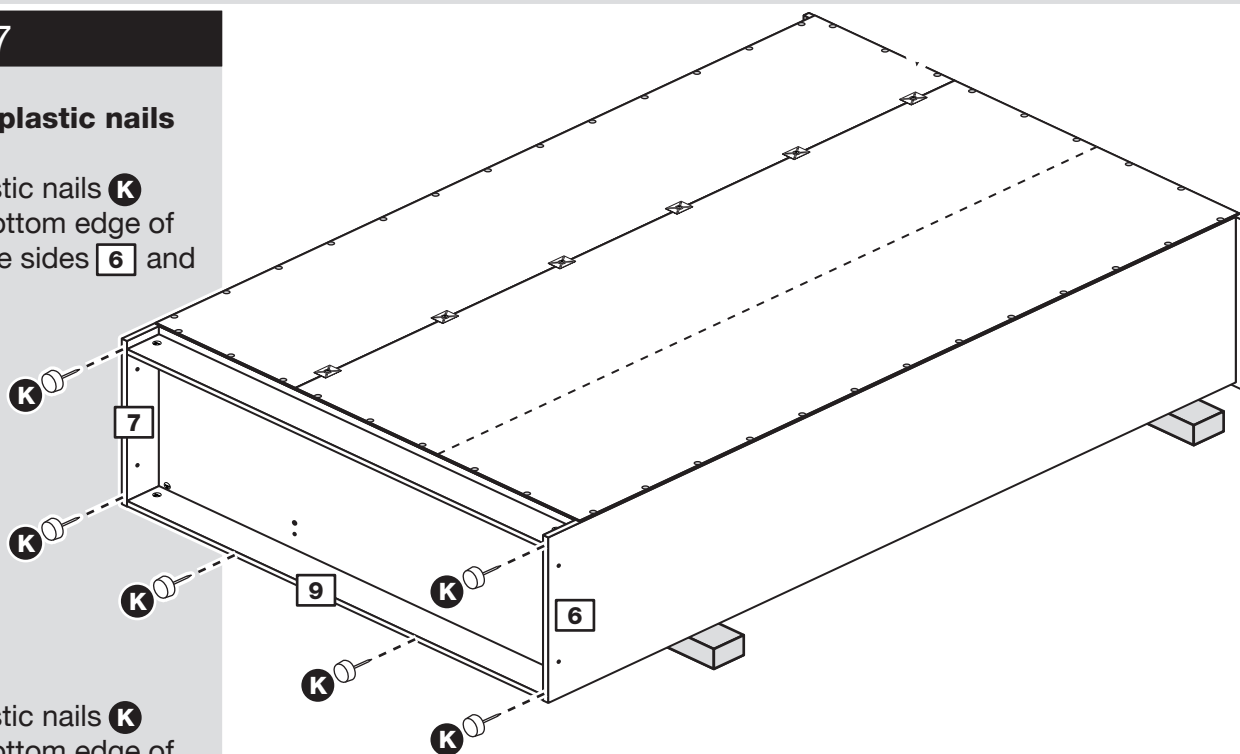


Assembly Instructions

Step 17

Fit the 6 plastic nails

Tap 2 plastic nails **K** into the bottom edge of each of the sides **6** and **7**.



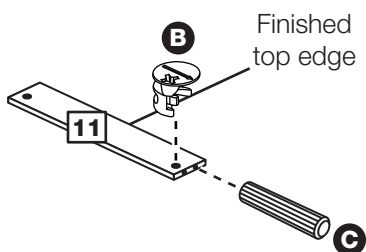
Tap 2 plastic nails **K** into the bottom edge of the front rail **9**.

Step 18

Prepare a side plinth

Insert a large locking nut **B** into 1 of the side plinths **11**.

Tap a wooden dowel **C** into the side plinth **11**.

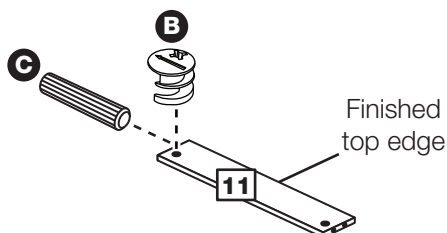


Step 19

Prepare the other side plinth

Insert a large locking nut **B** into the side plinth **11**.

Tap a wooden dowel **C** into the side plinth **11**.

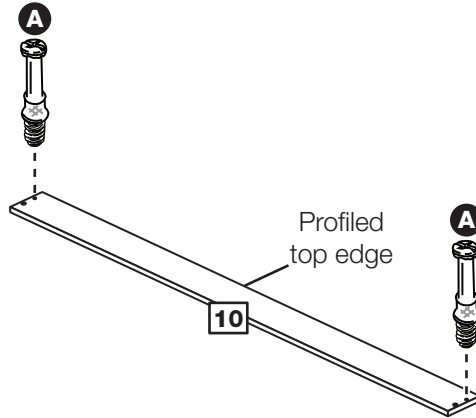


Assembly Instructions

Step 20

Prepare the front plinth

Screw 2 metal dowels **A** into the front plinth **5**.

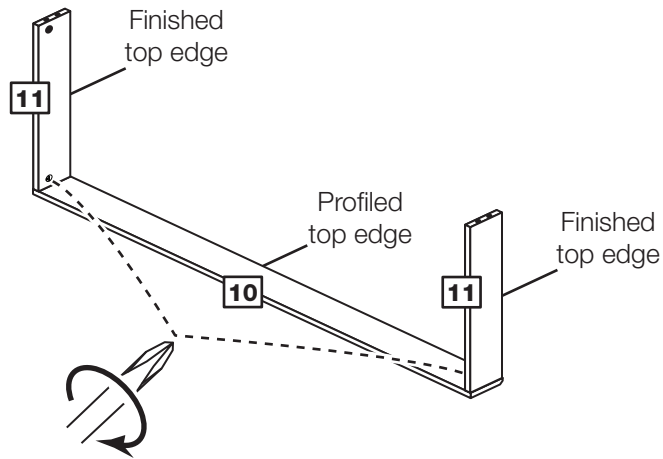


Step 21

Fit the plinths together

Push the 2 side plinths **11** onto the front plinth **10**.

Use a screwdriver to tighten the large locking nuts **B** fitted to the side plinths **11**.

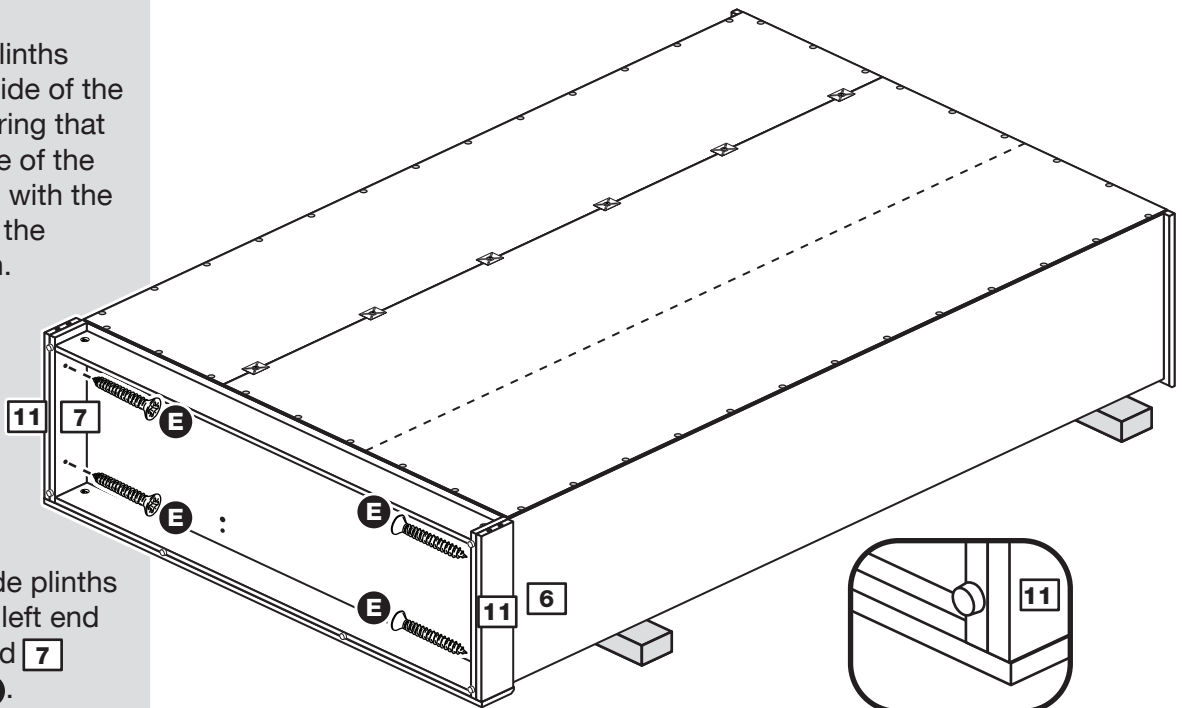


Step 22

Fit the plinths

Position the 3 plinths around the outside of the assembly, ensuring that the bottom edge of the plinths are flush with the bottom edge of the sides, as shown.

Secure the 2 side plinths **11** through the left end **6** and right end **7** using screws **E**.



Assembly Instructions

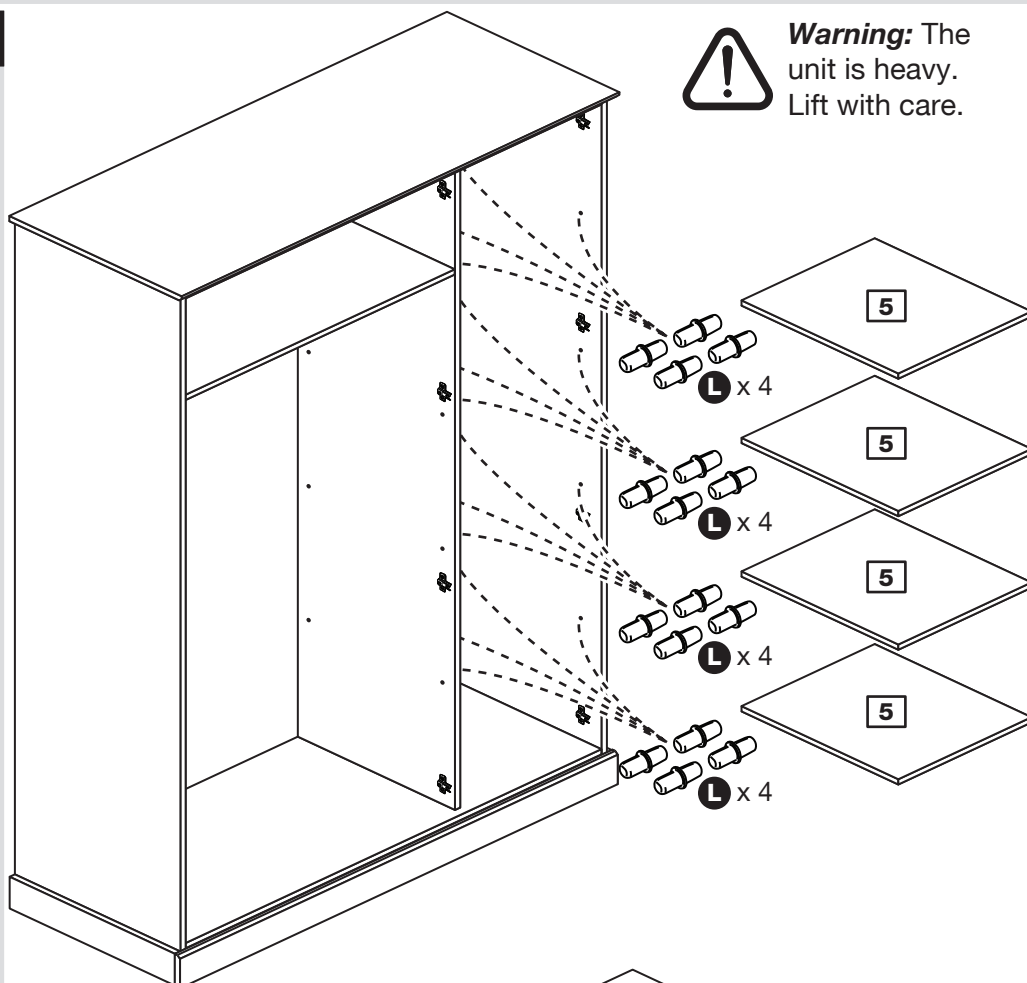
Step 23

Fit the narrow shelves

Carefully stand the unit up.

For each of the 4 narrow shelves **5**, insert 4 shelf studs **L**.

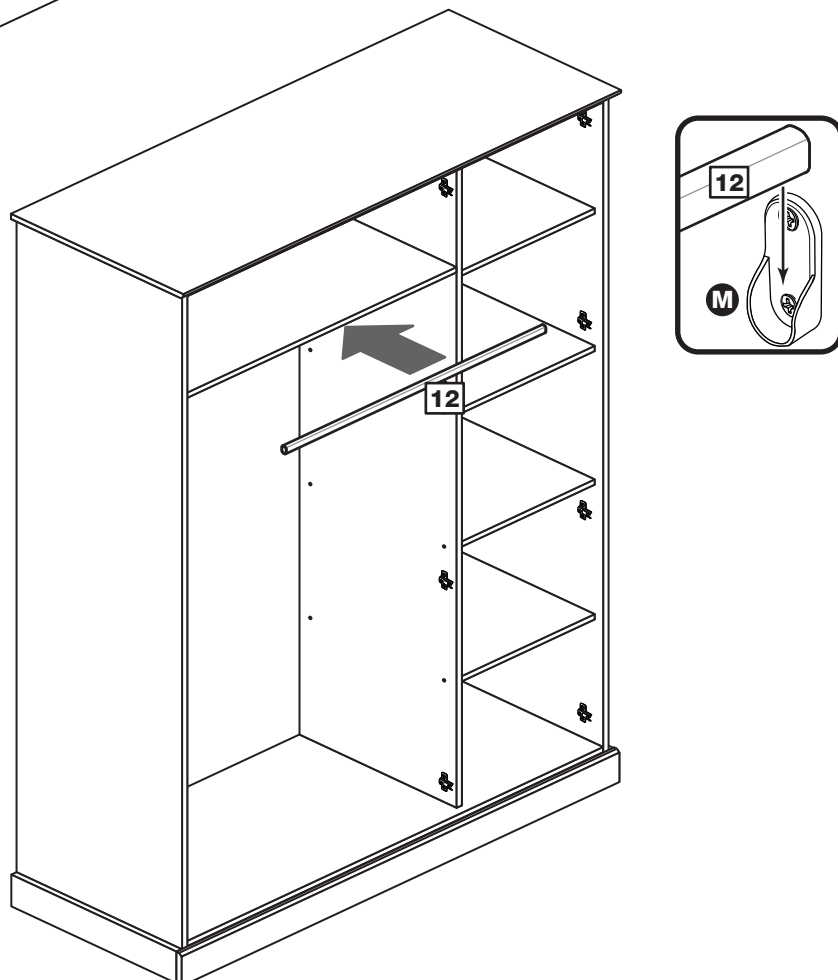
Lower the 4 narrow shelves **5** down onto the shelf studs **L**.



Step 24

Fit the hanging rail

Push the hanging rail **12** into the rail holders **M** fitted to the panels.



Assembly Instructions

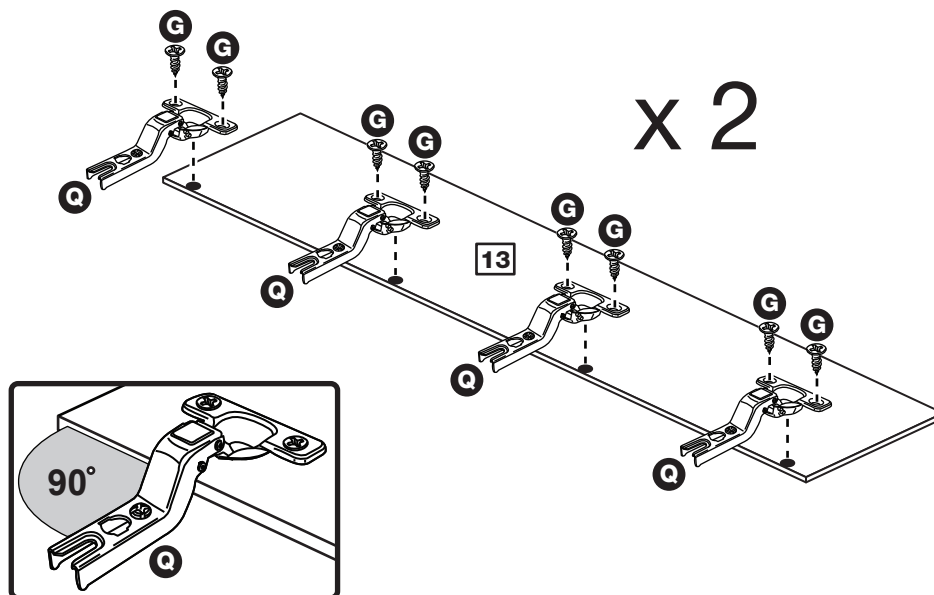
Step 25

Prepare the 2 plain doors

Push fit 4 hinges **Q** into each of the 2 plain doors **13**.

Secure each hinge with 2 screws **G**.

Note: Before securing with the screws, make sure that the hinges are positioned at 90 degrees with the edge of the door.



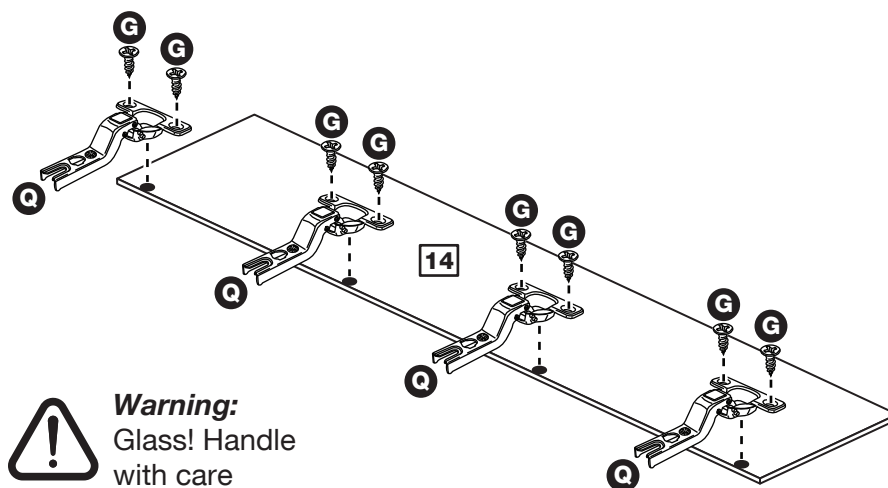
Step 26

Prepare the mirror door

Push fit 4 hinges **Q** into the mirror door **14**.

Secure each hinge with 2 screws **G**.

Note: Before securing with the screws, make sure that the hinges are positioned at 90 degrees with the edge of the door.



Assembly Instructions

Step 27

Fit doors and handles

Note: The easiest way to attach each door **13** and **14** is to fit the top hinge first, then align and fit the other hinges.

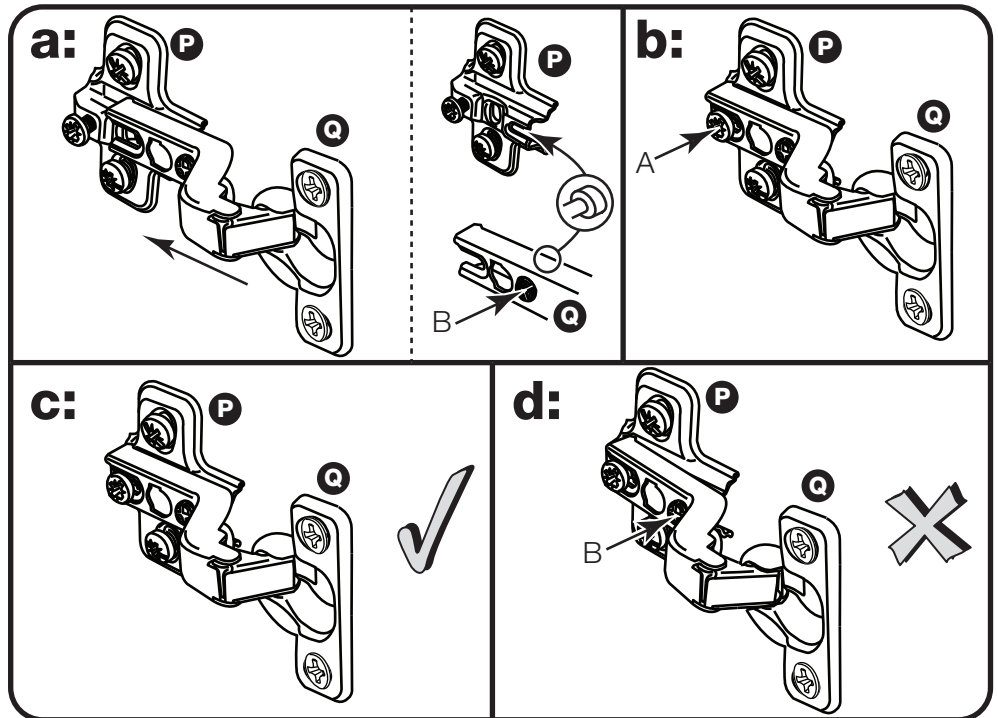
a: Push the hinge **Q** onto the front part of the hinge plate **P**. The recess at the bottom of screw B goes into the slot in the hinge plate.

b: Keep the hinge **Q** FLAT against the hinge plate **P** as you slide it across as far as it will go. Tighten screw A.

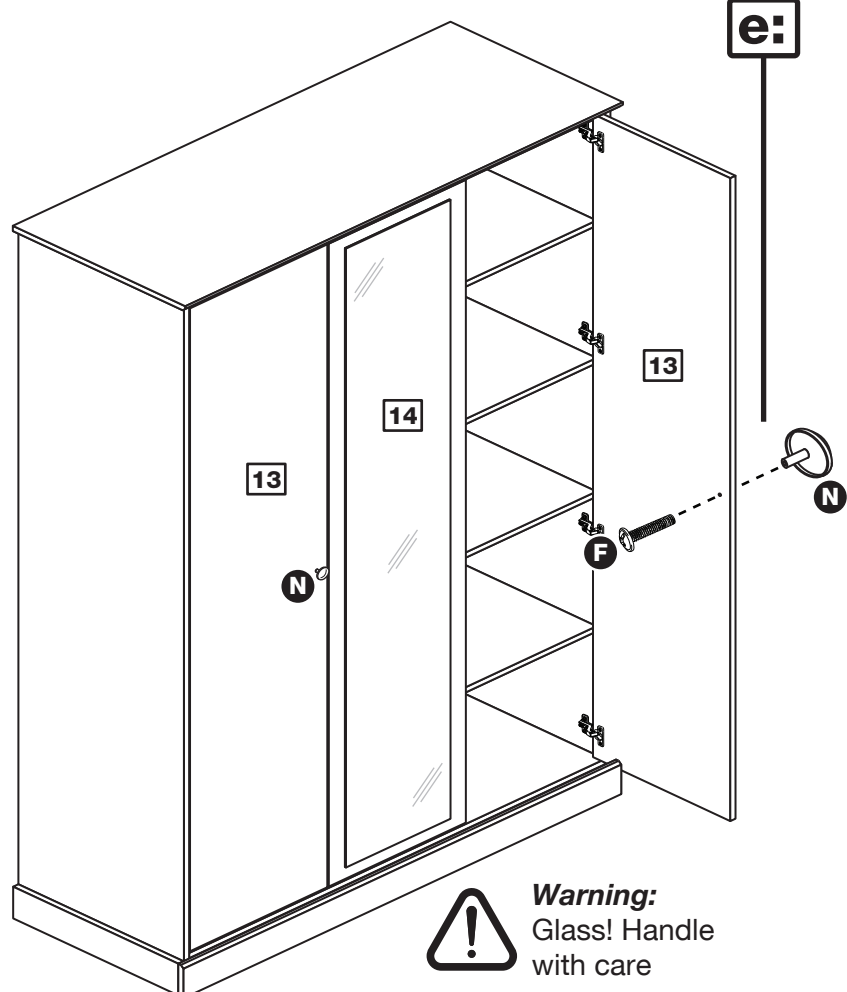
c: The hinge **Q** must be flat against the hinge plate **P** prior to any adjustment.

d: The hinge **Q** must NOT be AT AN ANGLE to the hinge plate **P** when assembled. This would indicate that the recess at the bottom of screw B had not located in the slot in the hinge plate and the hinge would not be secure. Remove the hinge from the hinge plate and then re-assemble being careful to follow instructions a-c.

e: Attach a handle **N** to the 2 plain doors **13** using screws **F**.



Important: DO NOT attempt to attached a handle to the mirror door.



Warning:
Glass! Handle with care

Assembly Instructions

Step 28

Adjust the doors if needed

a: Before adjusting the doors, use a spirit level to check the base (or top) of the unit is level, front-to-back and side-to-side in the 3 positions shown. Use suitable packing pieces (not supplied) to make the unit level BEFORE making any adjustment to the hinges, as shown.

b: Height adjustment.

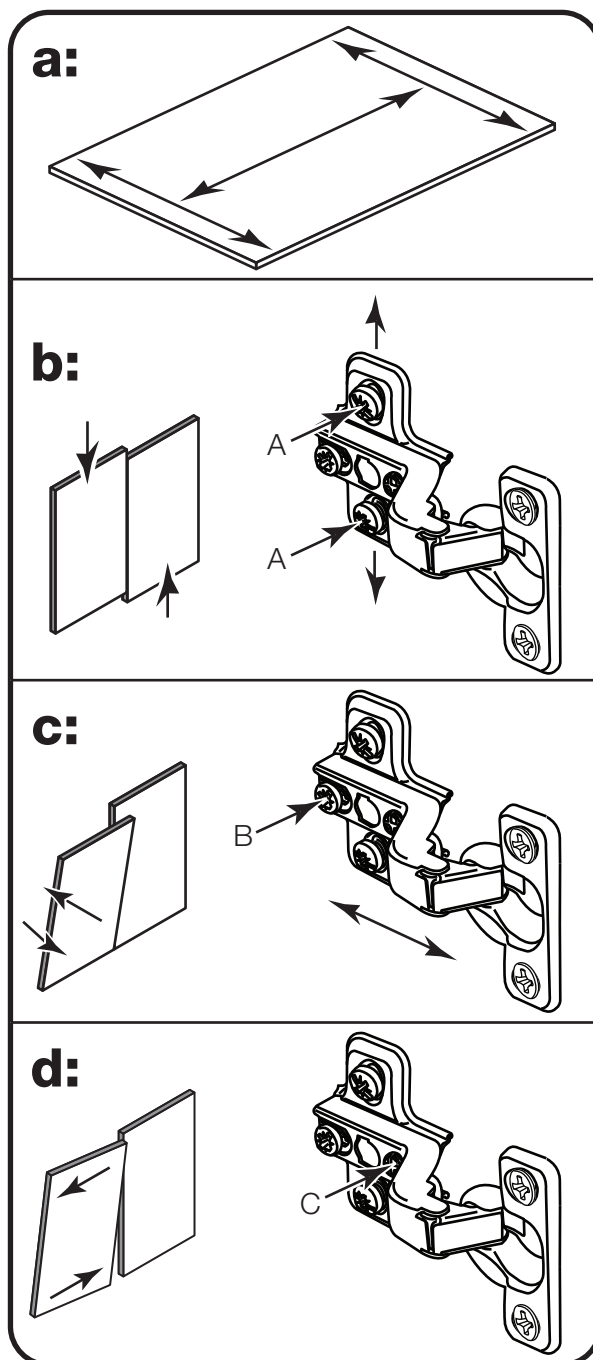
Loosen screws A on hinge plates and move door up or down as required. Retighten screw A.

c: Forward and Back adjustment.

Loosen screw B on hinge plate and move door in or out as required. Retighten screw B.

d: Sideways adjustment.


To move door 'out' loosen screw C. To move door 'in' tighten screw C.



Assembly Instructions

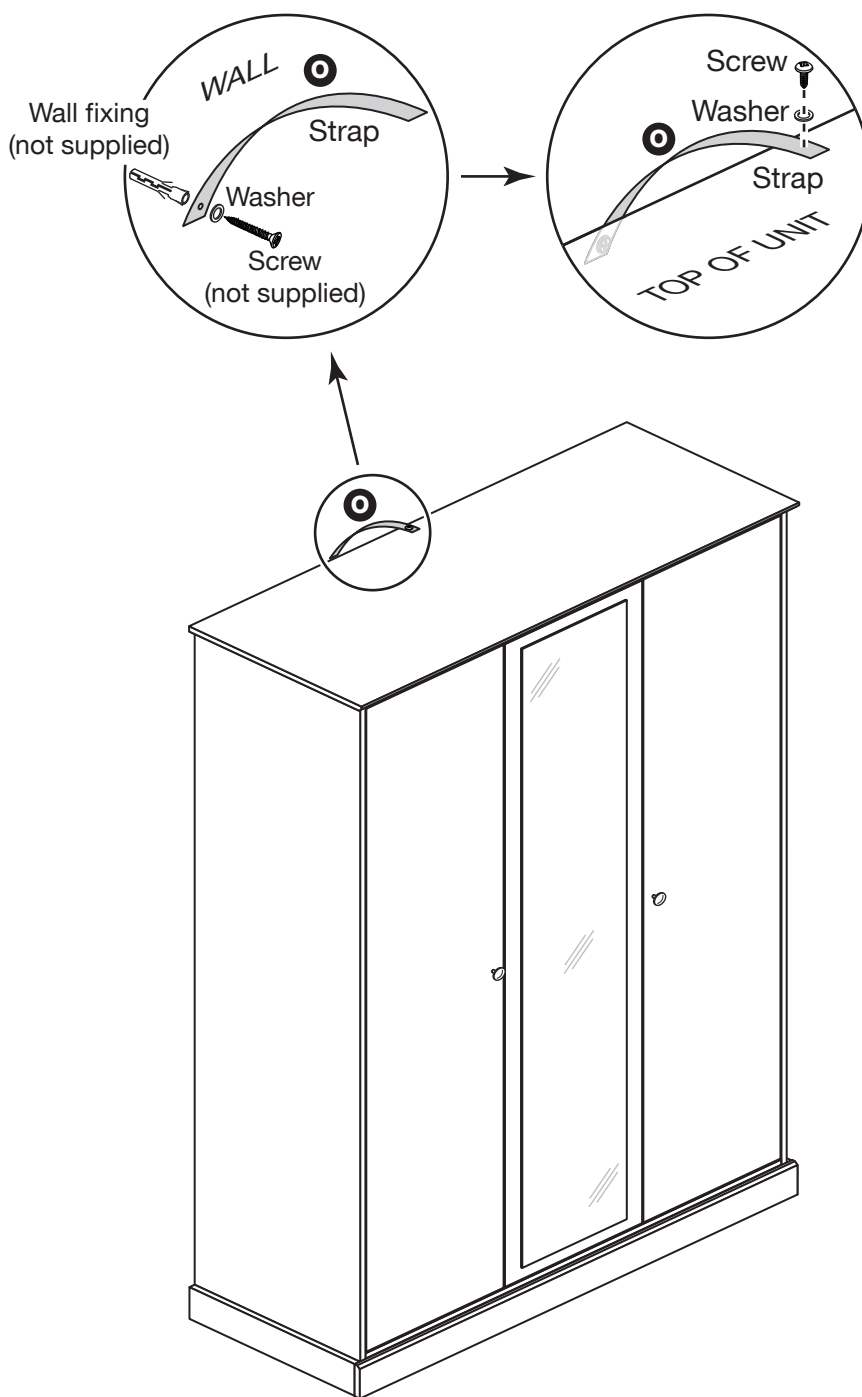
Step 29

Fit the overbalance protector

To prevent possible overbalancing we recommend that this unit is secured to a suitable wall by fitting of the overbalance protector kit  to the unit, or an alternative fixing method of your choice.

Wall fixings are not supplied as they will need to suit the wall type.

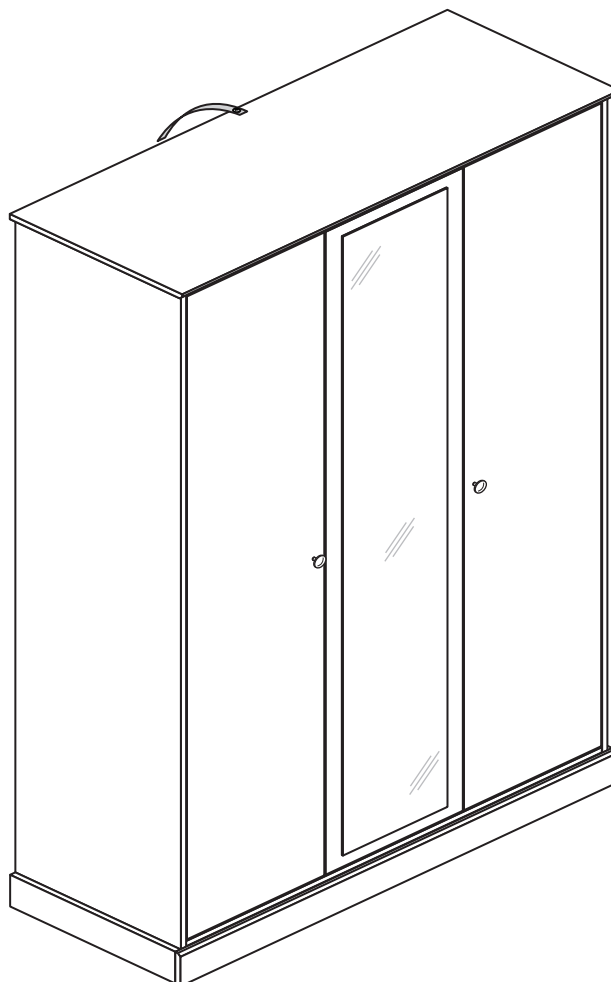
Note: Take care when drilling the wall that you do not drill into any pipes, wires etc. If in doubt, consult an expert.



Assembly Instructions

Step 30

Assembly is complete



IMPORTANT INFORMATION ABOUT THIS PRODUCT

This product complies with the requirements of BS 7449:1991 and has been manufactured by DECORATIVE PANELS FURNITURE LTD, TEESIDE INDUSTRIAL ESTATE, THORNABY-ON-TEES, CLEVELAND, TS17 9LT.

The product code for this unit and the item code(s) for the glass components are listed in the Assembly Instructions along with a description of the type of glass used. All clear/tinted glass complies with the requirements of BS 6206 Class A. All mirrors comply with the requirements of BS 6206 Class C. If the glass component contained in this unit is chipped or broken consult the furniture manufacturer, retailer, or agent with regard to obtaining a manufacturing specification and shape for replacement glass quoting the unit description and batch number or date of manufacture.

Do not place very hot or very cold items against or in close proximity to glass surface(s) unless adequately thick insulating material is used to prevent such items coming in contact with the glass.

Do not strike the glass with hard or pointed items.

Do not sit or stand upon horizontal glass surfaces.

When cleaning glass panels use a damp cloth or leather with washing up liquid or soft soap if necessary - do not use washing powders or any other substance containing abrasives since these substances scratch glass.

If stated in the instruction leaflet, it is essential that this unit is fixed to a wall.

KEEP THESE INSTRUCTIONS FOR FUTURE USE

If you need help or have damaged or missing parts, please visit www.argos-support.co.uk or email: Help@ClickSpares.co.uk (quoting your original order number)

Alternatively, call the Spares Helpline on: 0370 112 1928.

For any other queries please contact the Customer Helpline on: 0345 640 2020