

New Sywell - 3 Drawer 2 Door Robe

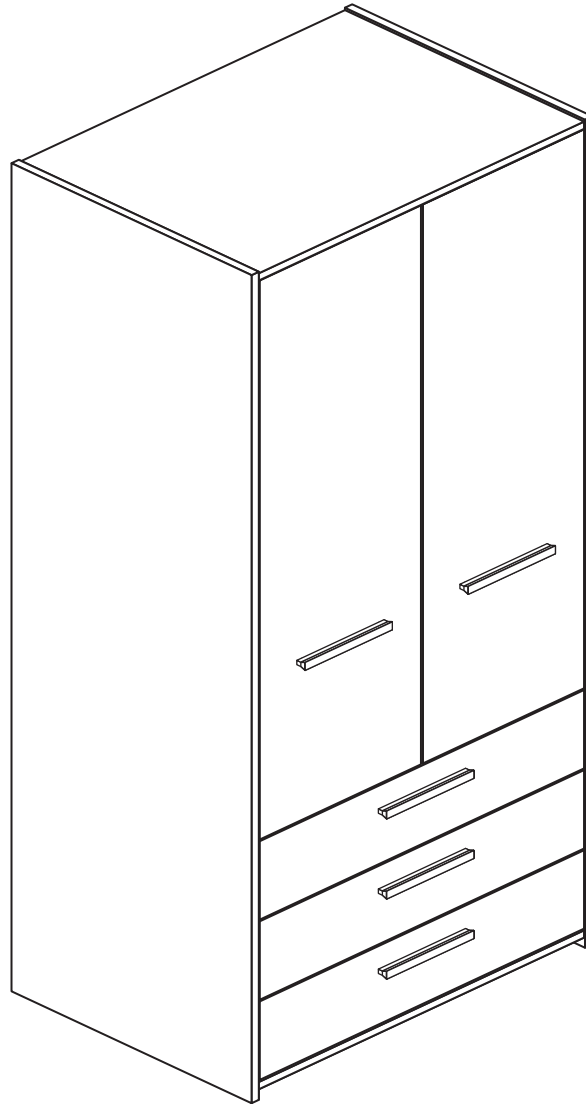
Assembly Instructions - Please keep for future reference

411/1524

411/6316

404/1340

412/3127



Dimensions

Width - 70.5cm

Depth - 50cm

Height - 172cm



**MADE IN
BRITAIN**

Important - Please read these instructions fully before starting assembly

If you need help or have damaged or missing parts, call the **Customer Helpline: 03456 400800**



Safety and Care Advice

Important - Please read these instructions fully before starting assembly

- **Warning:** This unit weighs approximately 51kgs. Please lift with care.

- Check you have all the components and tools listed on pages 2 and 3.

- Remove all fittings from the plastic bags and separate them into their groups.

- Keep children and animals away from the work area, small parts could choke if swallowed.

- Parts of the assembly will be easier with 2 people.

- Make sure you have enough space to layout the parts before starting.

- Do not stand or put weight on the product, this could cause damage.

- Assemble the item as close to its final position (in the same room) as possible.

- Assemble on a soft level surface to avoid damaging the unit or your floor (use opened out unit carton).



- We do not recommend the use of power drill/drivers **for inserting screws**, as this could damage the unit. Only use hand screwdrivers.

- **Safety note:** It is recommended that this unit is secured to a wall using the overbalance protector kit supplied or, an alternative fixing method of your choice.

- Dispose of all packaging carefully and responsibly.

Care and maintenance

- Only clean using a damp cloth and mild detergent, do not use bleach or abrasive cleaners.

- From time to time check that there are no loose screws on this unit.

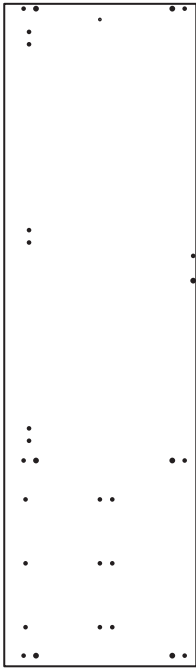
- This product should not be discarded with household waste. Take to your local authority waste disposal centre.

Note: If required the next page can be cut out and used as reference throughout the assembly. Keep this page with these instructions for future reference.

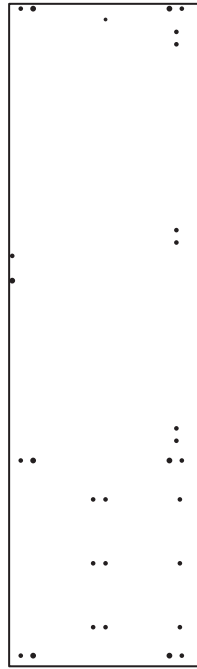
Components - Panels

If you have damaged or missing components, call the **Customer Helpline: 03456 400800** quoting the reference numbers below

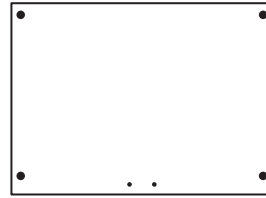
Please check you have all the panels listed below



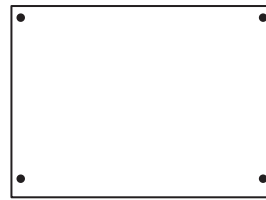
1 Left Side (DF3319)
(171.1 x 49.6cm)



2 Right Side (DF3320)
(171.1 x 49.6cm)



3 Top (D2559A)
(67.4 x 49.4cm)



4 Base (D2562A)
(67.4 x 49.4cm)



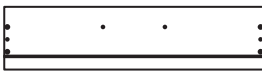
5 Shelf (DF3326)
(67.4 x 46.8cm)



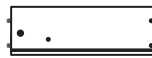
6 Rail (D2597A)
(67.4 x 12.5cm)



7 Hanging Rail (FHR666)
(66.6cm long)



8 Drawer Front (DF3324)
(67 x 16.2cm) x 3



9 Left Drawer Side (W370-124LH)
(37 x 12.4cm) x 3



10 Right Drawer Side (W370-124RH)
(37 x 12.4cm) x 3



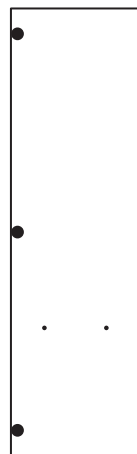
11 Drawer Back (W370-124)
(64.1 x 12.4cm) x 3



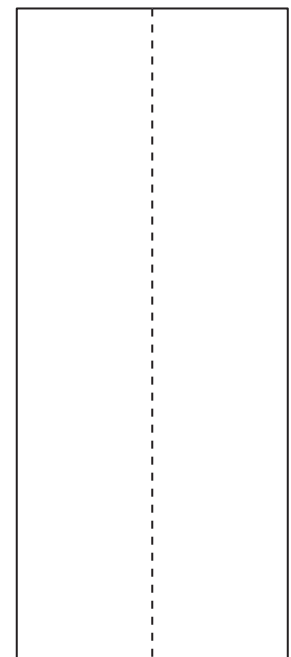
12 Drawer Base (T652-367)
(65.2 x 36.7cm) x 3



13 Left Door (DF3325)
(115.5 x 33.3cm)



14 Right Door (DF3987)
(115.5 x 33.3cm)



15 Back (X1682-700)
(168.2 x 70cm)

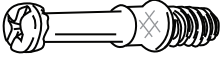






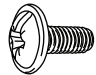



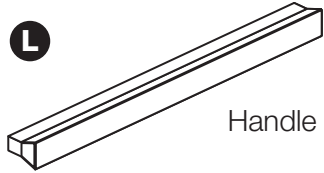
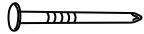

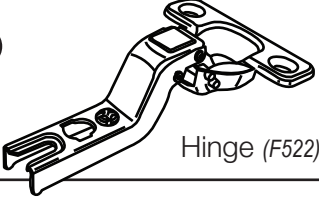


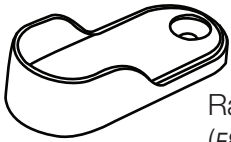
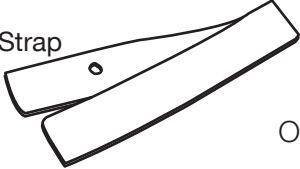




Components - Fittings

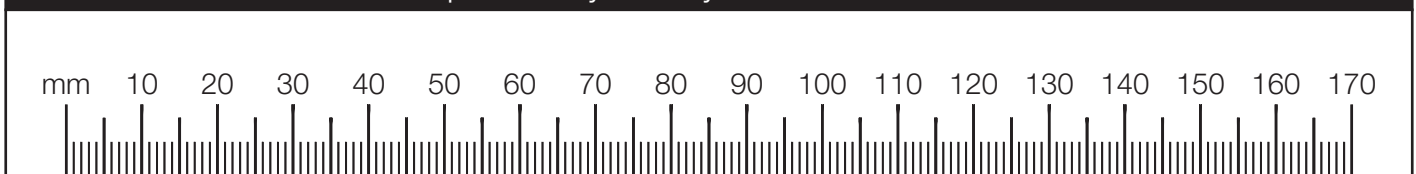
If you have damaged or missing components, call the **Customer Helpline: 03456 400800** quoting the reference numbers below

Please check you have all the fittings listed below

Note: The quantities below are the correct amount to complete the assembly. In some cases more fittings may be supplied than are required.

<p>A </p> <p>Metal dowel (F901) x 20</p>	<p>B </p> <p>Large locking nut (F900) x 14</p>	<p>C </p> <p>Small locking nut (F3) x 6</p>
<p>D </p> <p>Wooden dowel (F22) x 14</p>	<p>E </p> <p>Knock-in Peg (F171) x 12</p>	<p>F </p> <p>25mm Screw (F95) x 10</p>
<p>G </p> <p>Wedgex (F639) x 12</p>	<p>H </p> <p>9mm Screw (F74) x 6</p>	<p>I </p> <p>9mm Screw (F73) x 12</p>
<p>J </p> <p>13mm Screw (F63) x 16</p>	<p>K </p> <p>Plastic Nail (F91) x 4</p>	<p>L </p> <p>Handle (F315) x 5</p>
<p>M </p> <p>Nail (F51) x 32</p>	<p>N </p> <p>Hinge plate (F523) x 6</p>	<p>O </p> <p>Hinge (F522) x 6</p>
<p>P </p> <p>Drawer runner (F1004) x 6</p>		<p>Q </p> <p>Shelf stud (F110) x 2</p>
<p>R </p> <p>Rail Holder (F891) x 2</p>	<p>S    Washer x 2</p> <p>Overbalance protector kit (F269) x 1</p>	

Ruler - Use this ruler to help correctly identify the screws



Assembly Instructions

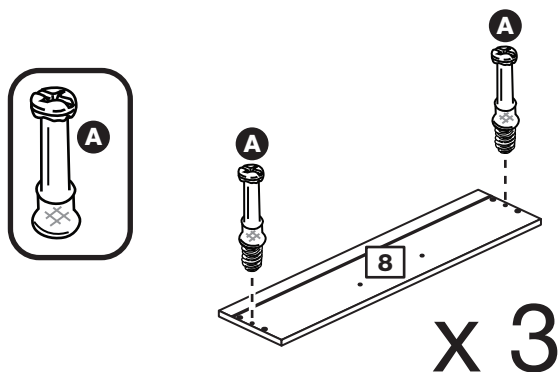
If you have damaged or missing components, call the
Customer Helpline: 03456 400800 quoting the reference
numbers below

Step 1

Prepare the 3 drawer fronts

Screw 2 metal dowels **A** into each of the drawer fronts **8**.

Note: Tighten the metal dowels up fully against the panels.

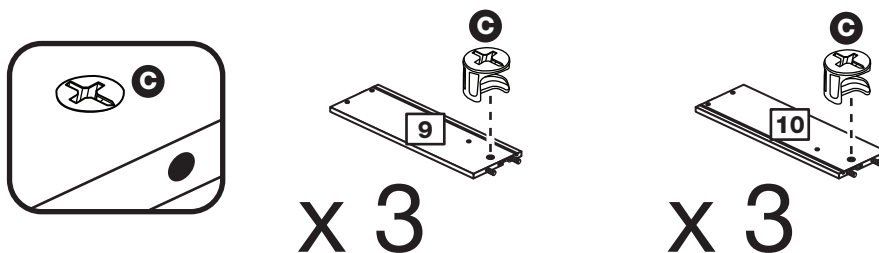


Step 2

Prepare the drawer sides

Insert a small locking nut **C** into the hole shown on the left drawer side **9** and the right drawer side **10**.

Note: The arrow on the locking nut **must** point towards the hole in the edge of the panel.



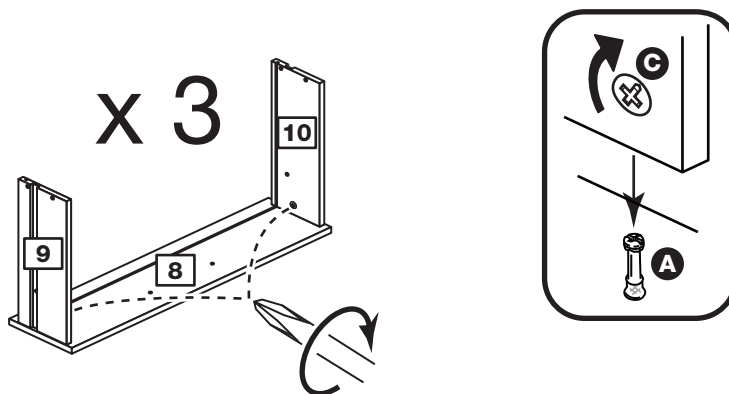
Step 3

Attach the drawer sides to the large drawer fronts

Push the left drawer sides **9** and right drawer sides **10** onto the back of the 3 drawer fronts **8**.

Turn the small locking nuts **C** on the left drawer side **9** and right drawer side **10**.

Note: Turn the locking nuts **C** clockwise to secure panels - more than 1/2 a turn.

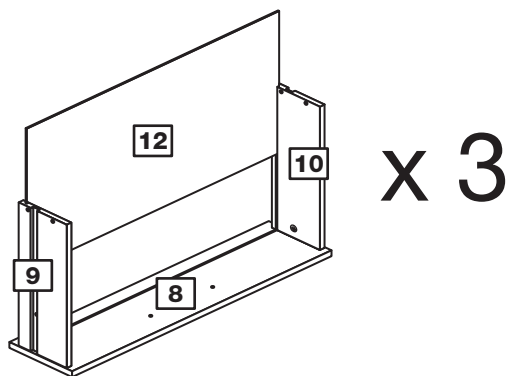


Assembly Instructions

Step 4

Fit the drawer base

Slide the drawer base **12** down the grooves in the drawer sides **9** and **10** and down into the groove in the drawer front **8**.



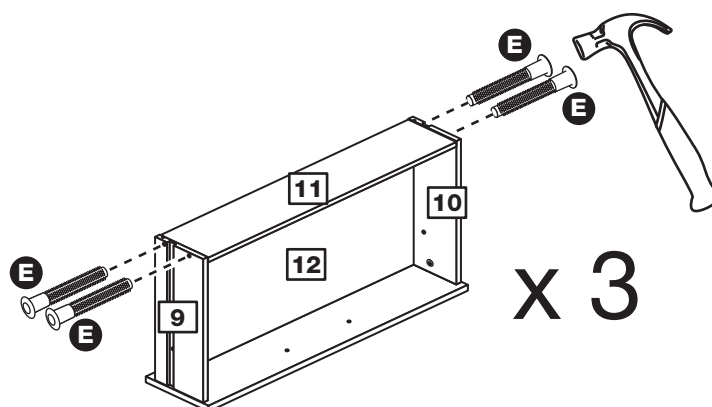
Step 5

Fit the large drawer back

Fit the drawer back **11** between the drawer sides **9** and **10**.

Make sure that the drawer base **12** fits into the groove in the drawer back **11**.

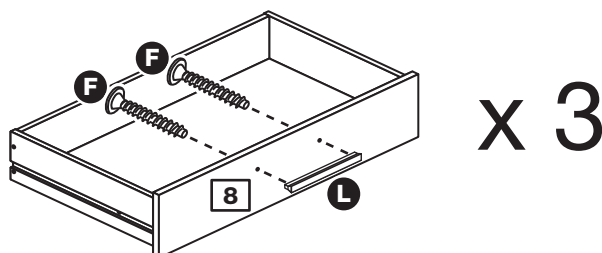
Hold the drawer back **11** in position and tap the knock-in pegs **E** through the holes in the drawer sides **9** and **10**.



Step 6

Attach the handles

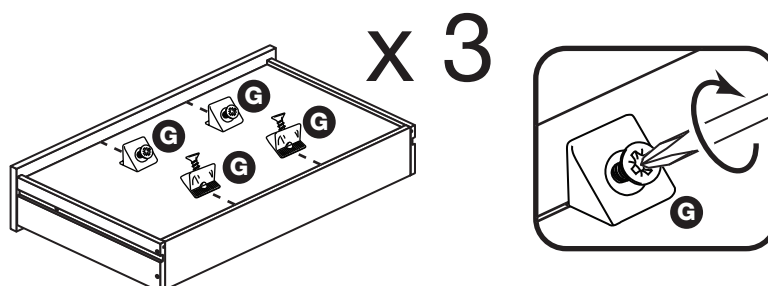
Attach a handle **L** to each drawer front **8** using 2 screws **F**.



Step 7

Fit the wedgexes

Turn the large drawer assemblies over and slide 4 wedgexes **G** into the front and back grooves, as shown, and tighten up the screws.



Assembly Instructions

Step 8

Prepare the left side

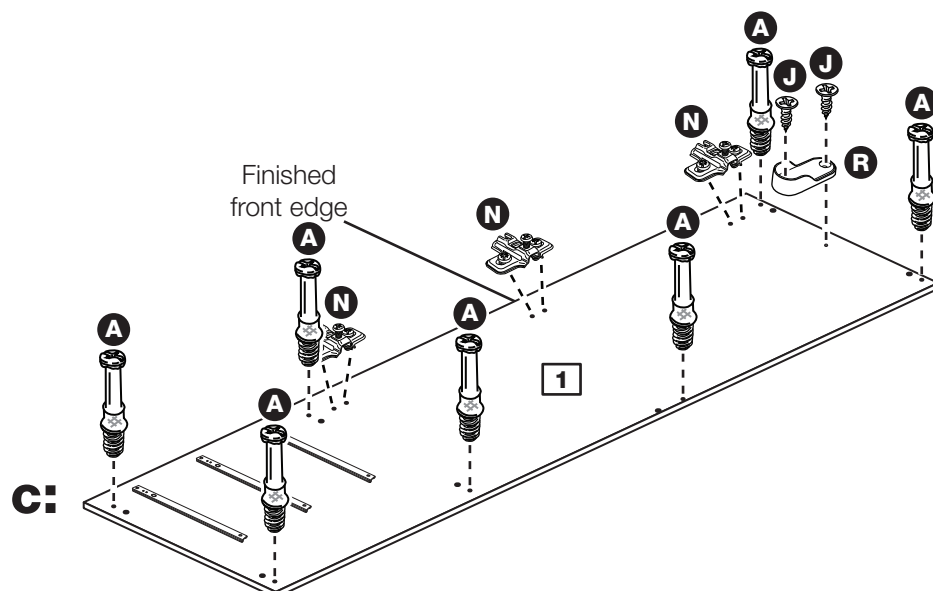
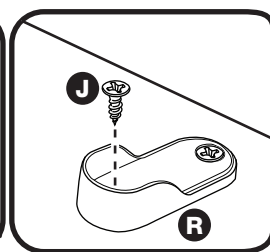
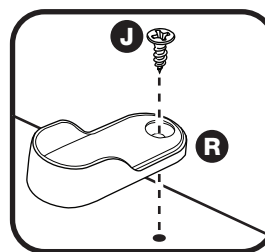
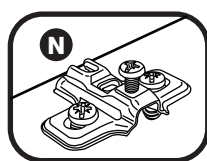
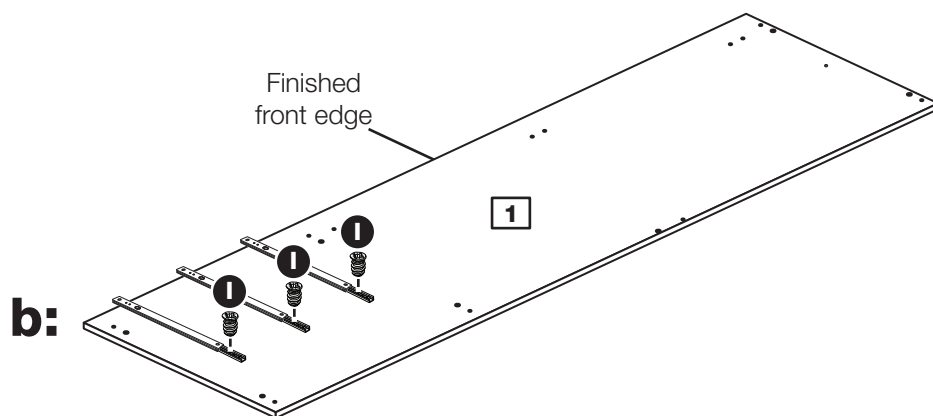
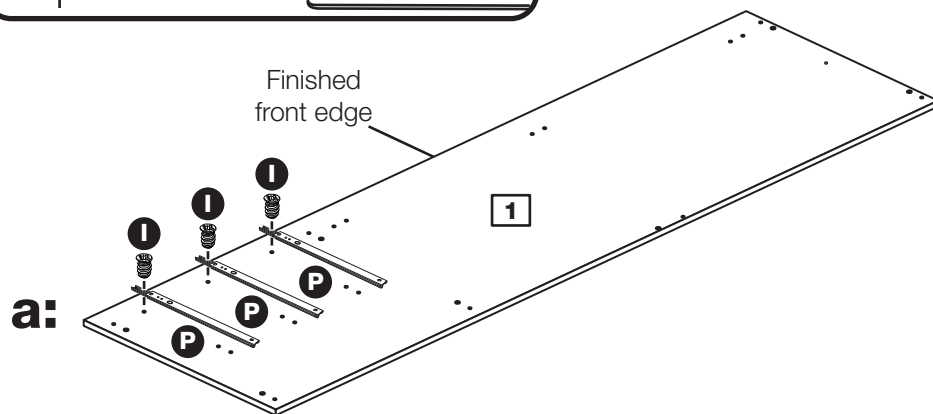
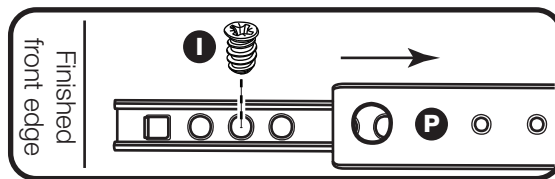
a: Place 3 runners **P** on the left side **1** as shown. Slide back the top of runner and use the 2nd hole from the front to fit the 1st screw **I**.

b: Slide the runner **P** back the other way and fit the 2nd screw **I** into the corresponding hole in the left side **1**.

c: Screw 7 metal dowels **A** into the left side **1**.

Fit 3 hinge plates **N** onto the left side **1**, making sure that the slot is facing towards the finished front edge.

To fit the rail holder **R**, screw through the top hole with screw **J** and into the mark hole drilled in the left side **1**. Make sure that it is fitted straight, in line with the panel edges and then fit another screw **J** using the lower hole.



Assembly Instructions

Step 9

Prepare the right side

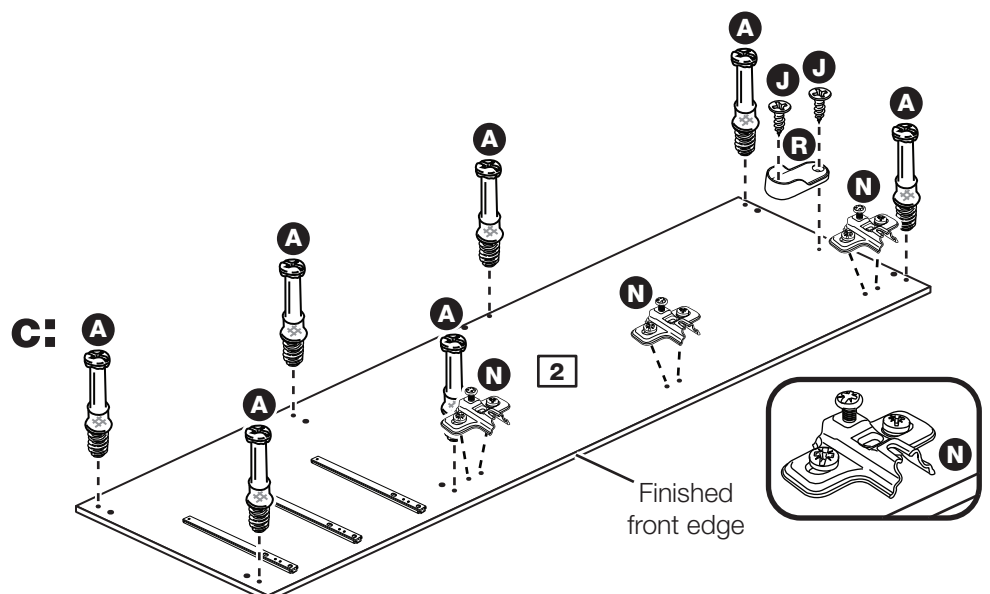
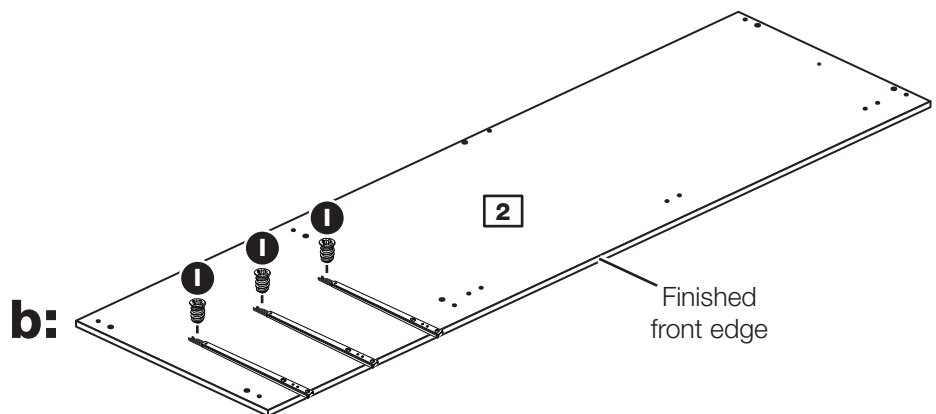
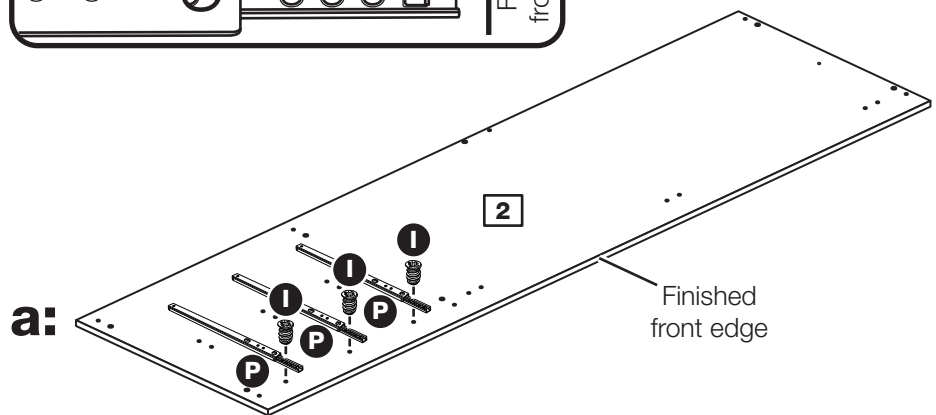
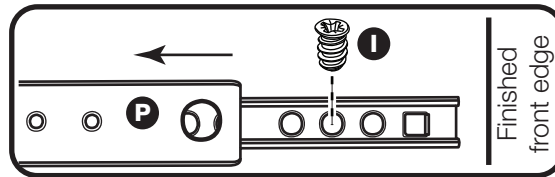
a: Place 3 runners **P** on the right side **2** as shown. Slide back the top of runner and use the 2nd hole from the front to fit the 1st screw **I**.

b: Slide the runner **P** back the other way and fit the 2nd screw **I** into the corresponding hole in the right side **2**.

c: Screw 7 metal dowels **A** into the right side **2**.

Fit 3 hinge plates **N** onto the right side **2**, making sure that the slot is facing towards the finished front edge.

To fit the rail holder **R**, screw through the top hole with screw **J** and into the mark hole drilled in the right side **2**. Make sure that it is fitted straight, in line with the panel edges and then fit another screw **J** using the lower hole.



Assembly Instructions

Step 10

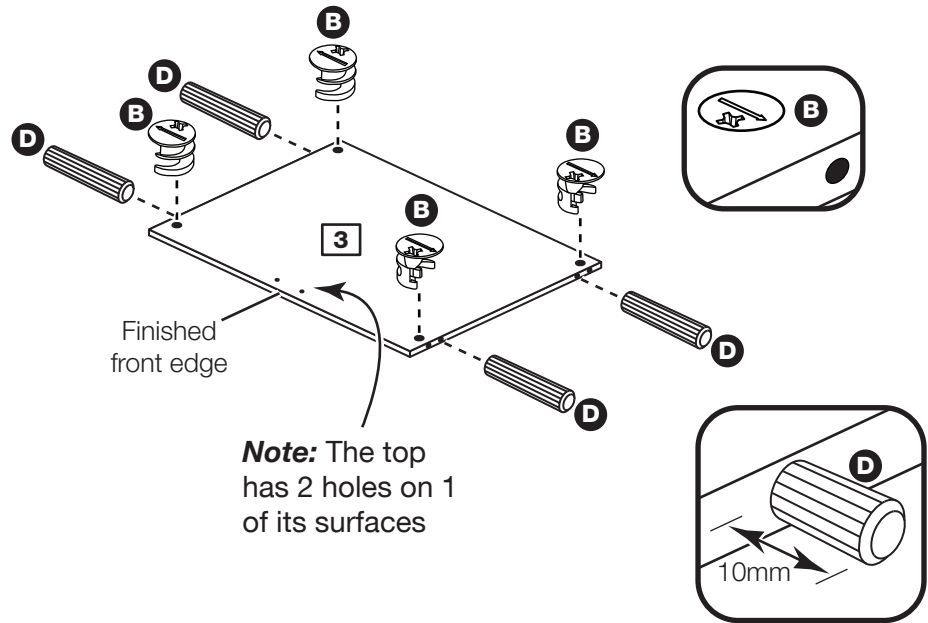
Prepare the top

Tap 4 wooden dowels **D** into the top **3**.

Note: Wooden dowels **must not** stick out from the edge by more than 10mm or they may damage other panels.

Insert 4 large locking nuts **B** into the top **3**.

Note: The arrow on the locking nut **must** point towards the hole in the edge of the panel.



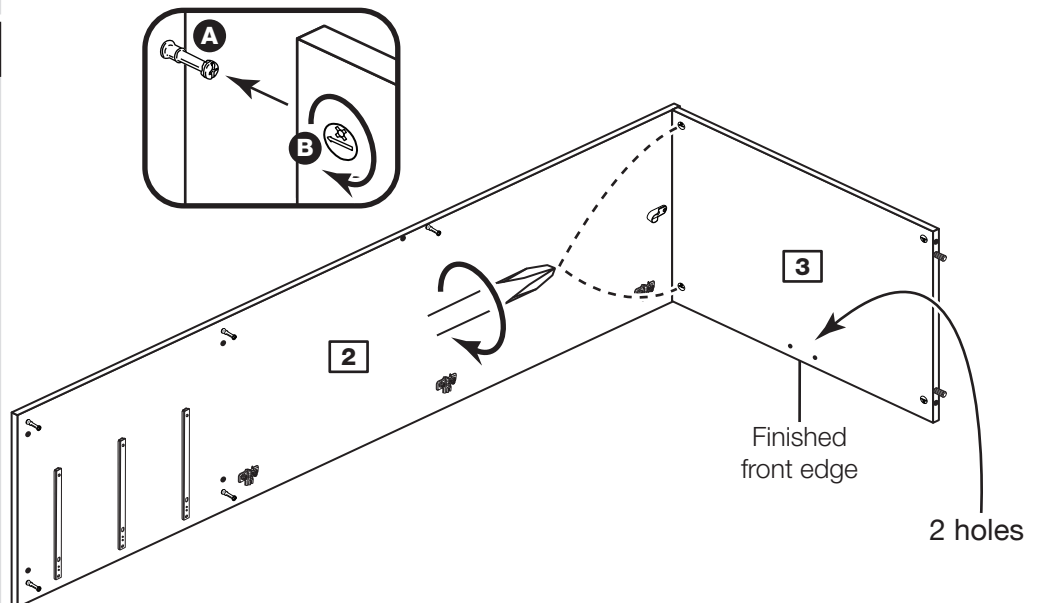
Step 11

Fit the top to the right side

Push the top **3** onto the right side **2**.

Use a screwdriver to tighten the 2 large locking nuts **B** fitted to the top **3**.

Note: Turn the large locking nuts **B** as far as they will go - more than 1/2 a turn.

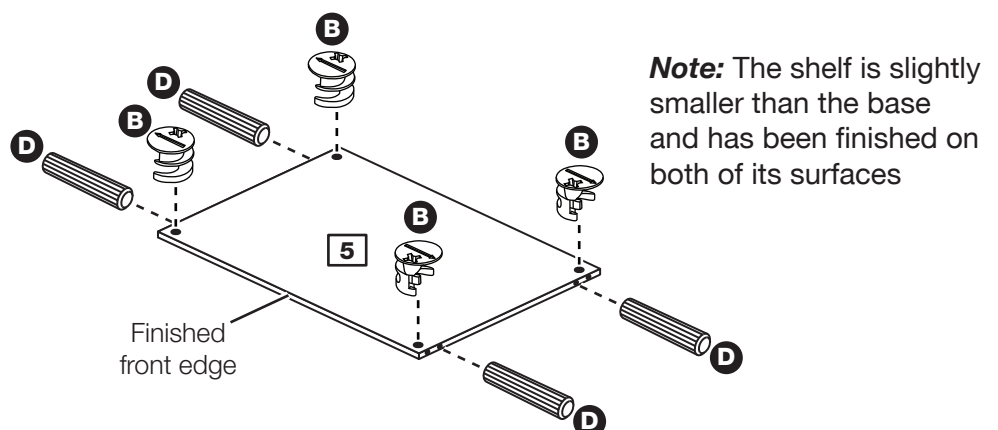


Step 12

Prepare the shelf

Tap 4 wooden dowels **D** into the shelf **5**.

Insert 4 large locking nuts **B** into the shelf **5**.



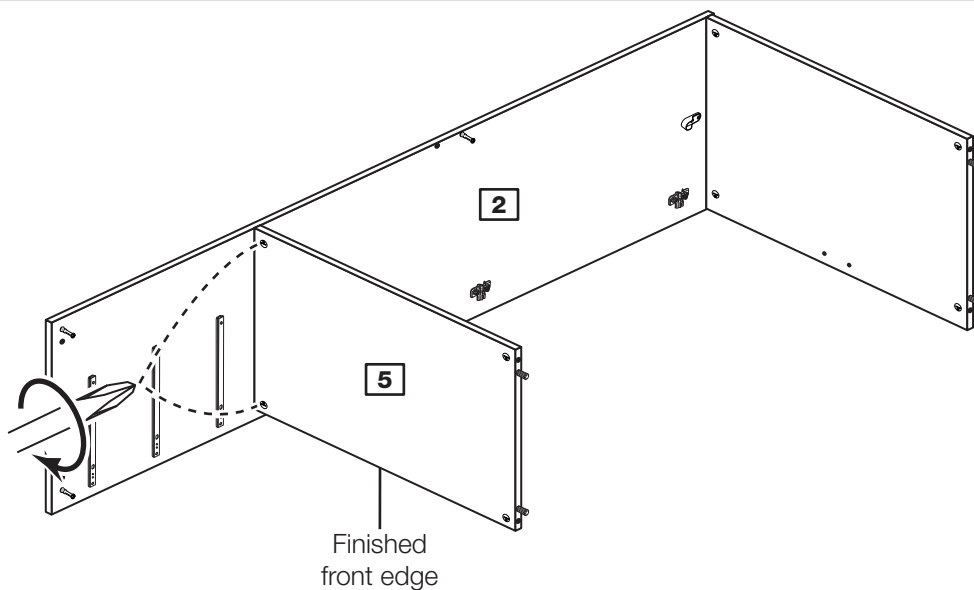
Assembly Instructions

Step 13

Fit the shelf

Push the shelf **5** onto the right side **2**.

Use a screwdriver to tighten the 2 large locking nuts **B** fitted to the shelf **5**.

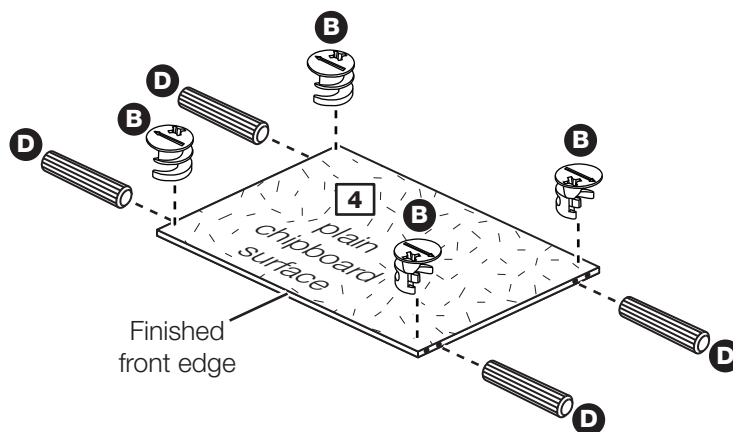


Step 14

Prepare the base

Tap 4 wooden dowels **D** into the base **4**.

Insert 4 large locking nuts **B** into the base **4**.

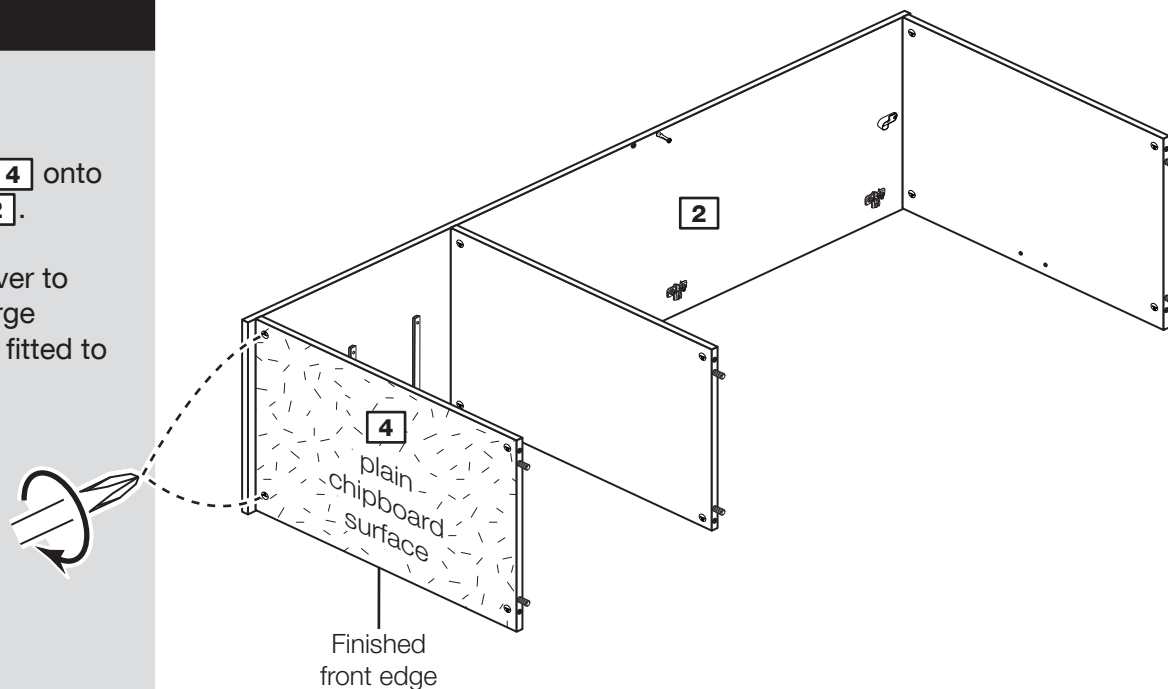


Step 15

Fit the base

Push the base **4** onto the right side **2**.

Use a screwdriver to tighten the 2 large locking nuts **B** fitted to the base **4**.



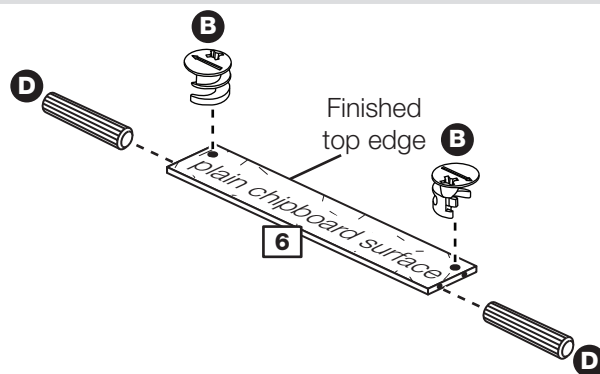
Assembly Instructions

Step 16

Prepare the rail

Tap 2 wooden dowels **D** into the rail **6**.

Insert 2 large locking nuts **B** into the rail **6**.

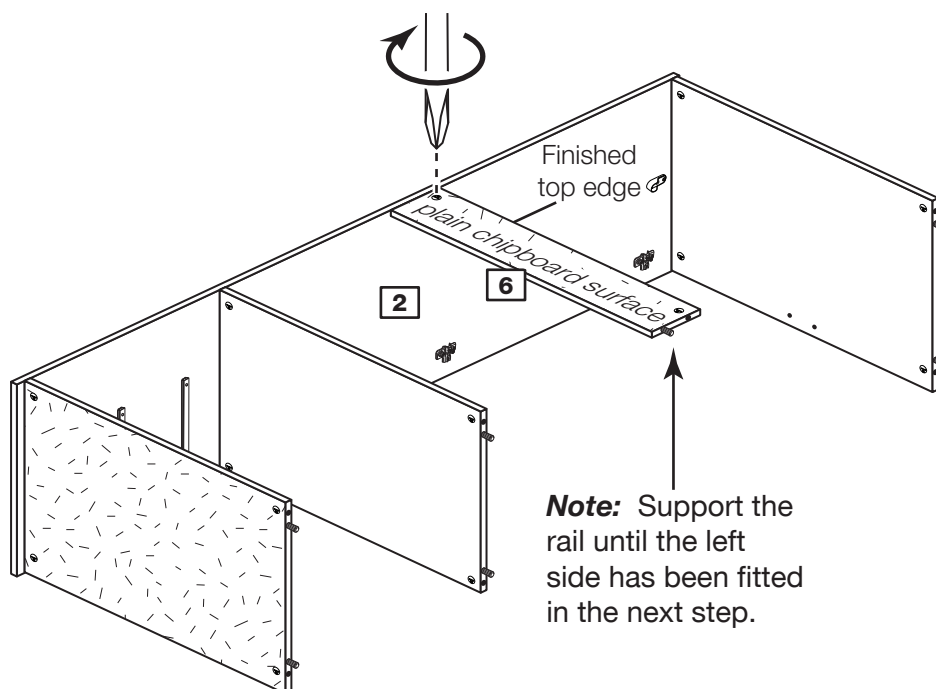


Step 17

Fit the rail

Push the rail **6** onto the right side **2**.

Use a screwdriver to tighten the large locking nut **B** fitted to the rail **6**.

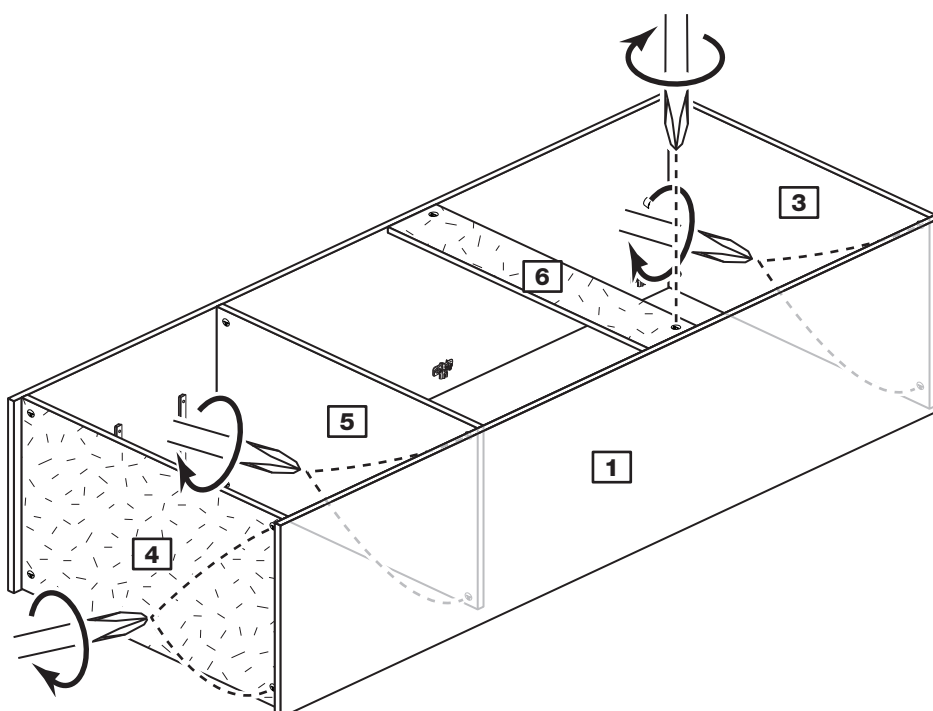


Step 18

Fit the left side

Push the left side **1** onto the assembly.

Use a screwdriver to tighten the 7 large locking nuts **B** fitted to the top **3**, base **4**, shelf **5** and rail **6**.



Assembly Instructions

Step 19

Fit the back

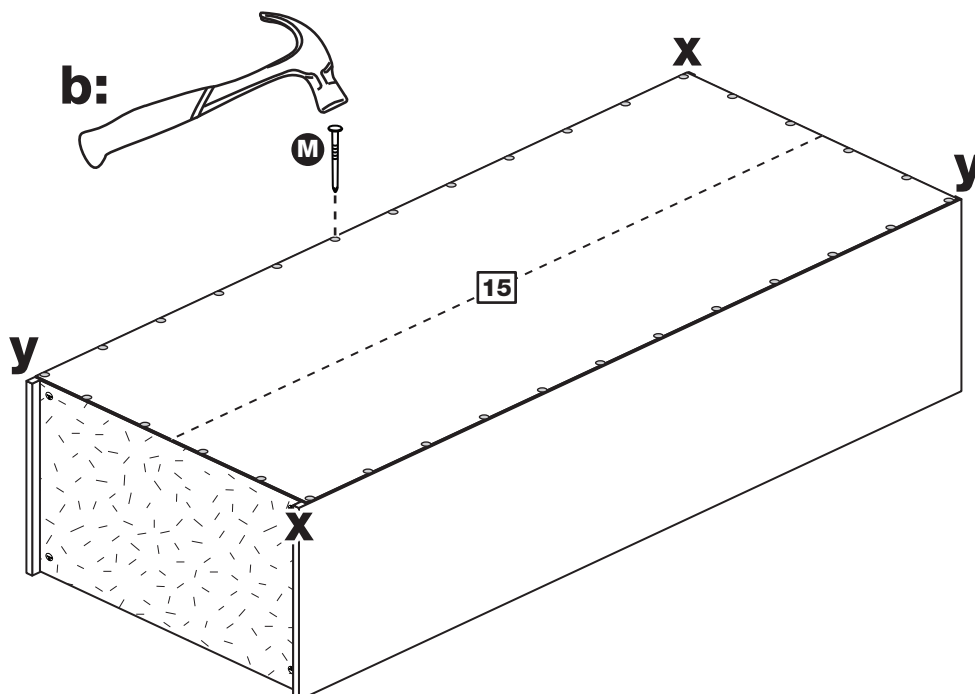
a: Square up the unit by making sure that measurement **x** to **x** equals **y** to **y**.

b: Place the back **15** onto the unit.

Nail **M** around the outside edges of the back **15**.

Note: Nails should be spaced about 150mm apart.

a: The measurement from top corner X to bottom corner X must be equal to the measurement from top corner Y to bottom corner Y



Step 20

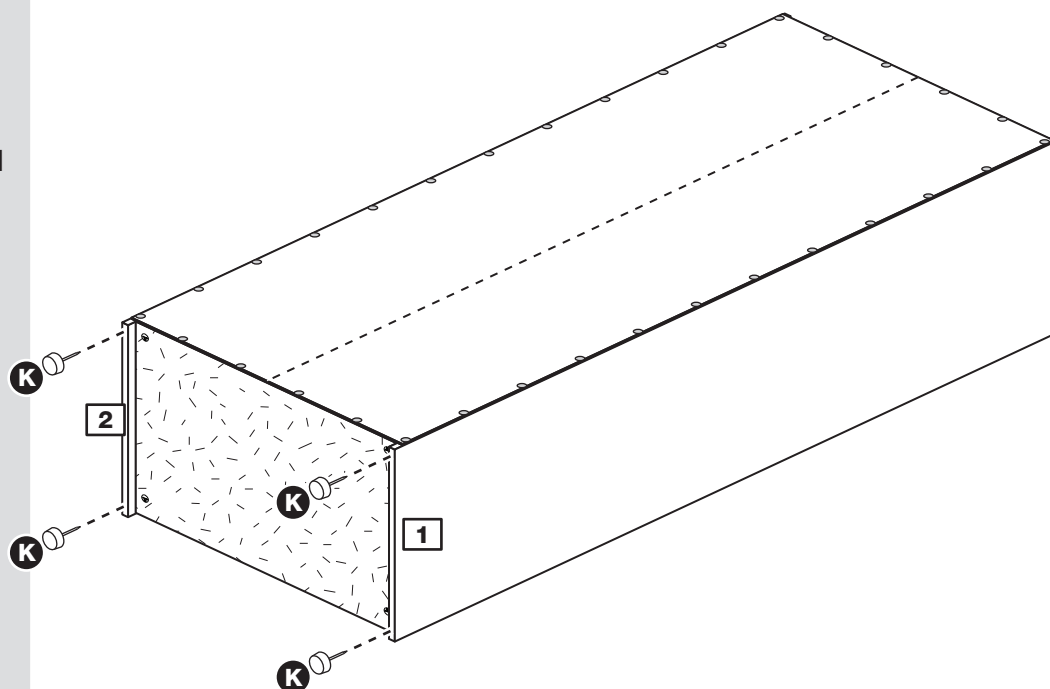
Fit the 4 plastic nails

Tap 2 plastic nails **K** into the bottom edge of each of the sides **1** and **2**.

Carefully stand the unit up for the next step.



Warning: The unit is heavy. Lift with care.



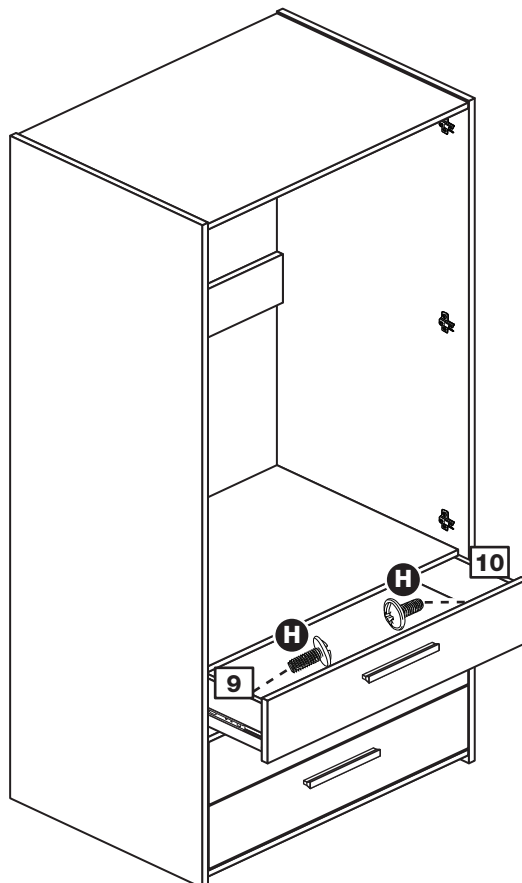
Assembly Instructions

Step 21

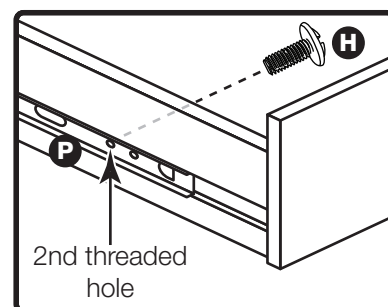
Fit the drawers

Starting with the bottom drawer, slide both the runners **P** forward and locate the drawer sides **9** and **10** between them, lining up the holes in the drawer wrap with the 2nd 'threaded' holes in the runners **P**.

Working from the inside of the drawer, insert 2 screws **H** through the drawer sides and out into the 2nd threaded hole in the runner.



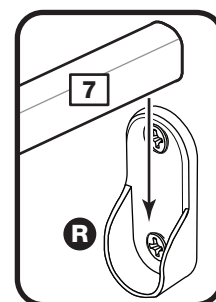
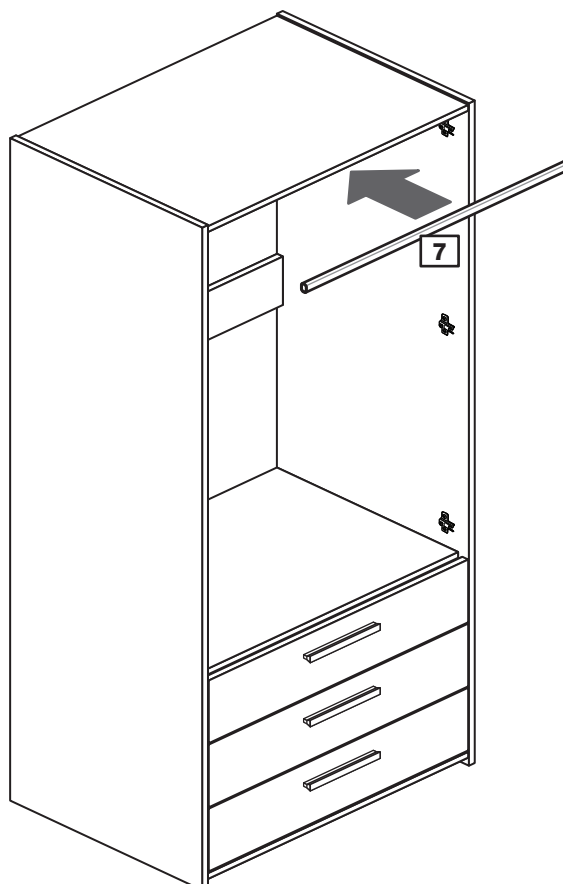
Note: Do not overtighten the screws **H**. If they catch on the runner you may need to loosen them slightly.



Step 22

Fit the hanging rail

Push the hanging rail **7** into the rail holders **R** fitted to the side panels.

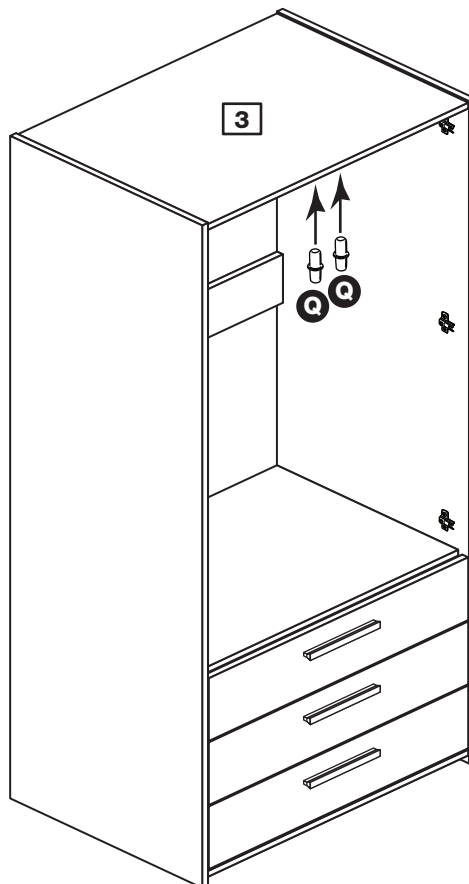


Assembly Instructions

Step 23

Fit the shelf studs

Push the 2 shelf studs **Q** up into the holes in the top **3** to act as door stops.



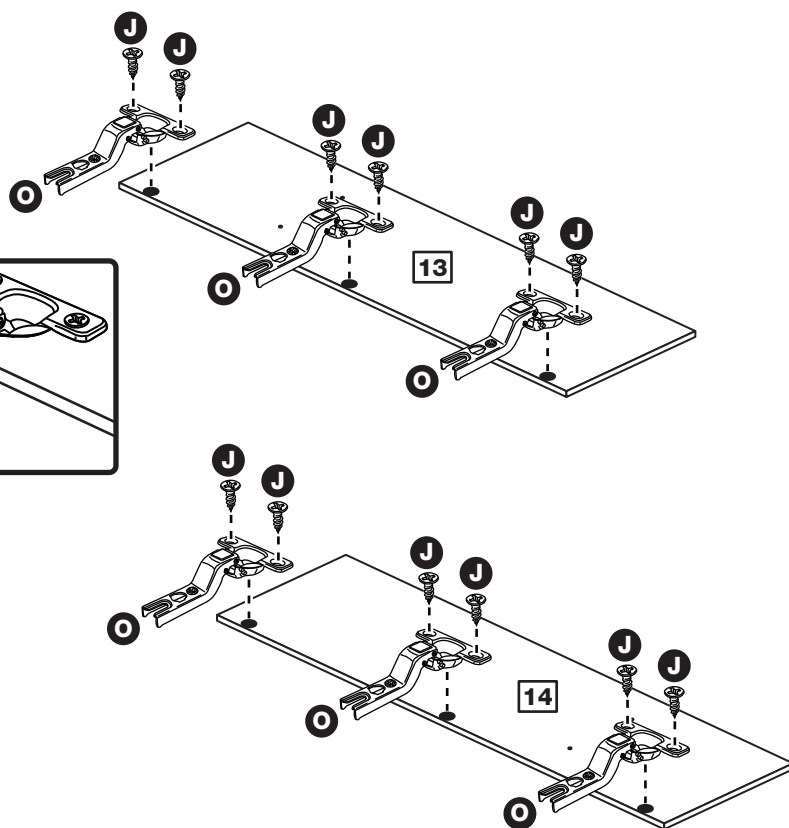
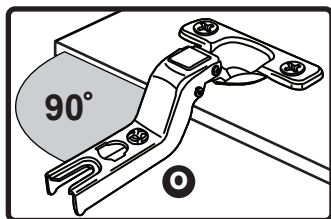
Step 24

Prepare the 2 doors

Push fit 3 hinges **O** into each of the 2 doors **13** and **14**.

Secure each hinge with 2 screws **J**.

Note: Before securing with the screws, make sure that the hinges are positioned at 90 degrees with the edge of the



Assembly Instructions

Step 25

Fit doors and handles

Note: The easiest way to attach each door **13** and **14** is to fit the top hinge first, then align and fit the other hinges.

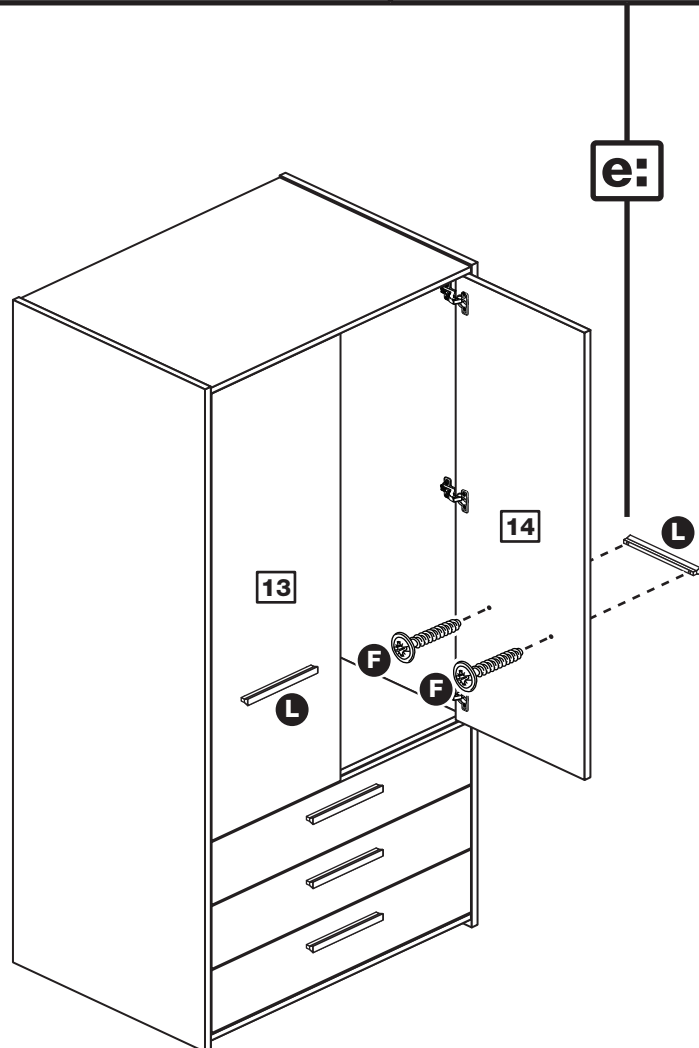
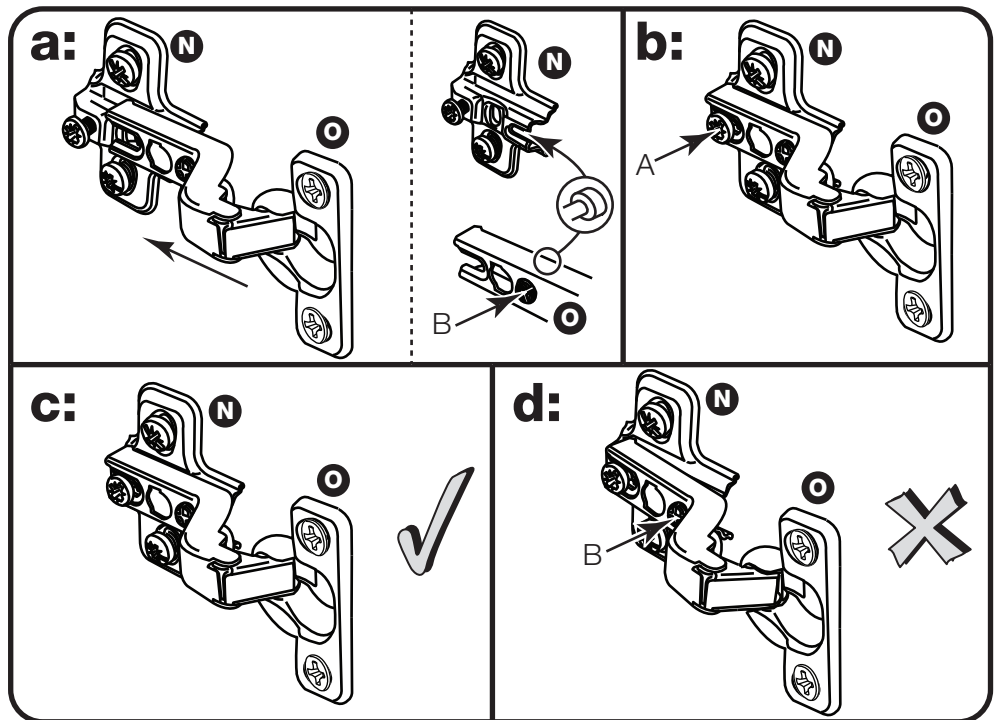
a: Push the hinge **O** onto the front part of the hinge plate **N**. The recess at the bottom of screw B goes into the slot in the hinge plate.

b: Keep the hinge **O** FLAT against the hinge plate **N** as you slide it across as far as it will go. Tighten screw A.

c: The hinge **O** must be flat against the hinge plate **N** prior to any adjustment.

d: The hinge **O** must NOT be AT AN ANGLE to the hinge plate **N** when assembled. This would indicate that the recess at the bottom of screw B had not located in the slot in the hinge plate and the hinge would not be secure. Remove the hinge from the hinge plate and then re-assemble being careful to follow instructions a-c.

e: Attach a handle **L** to each door **13** and **14** using screws **F**.



Assembly Instructions

Step 26

Adjust the doors if needed

a: Before adjusting the doors, use a spirit level to check the base (or top) of the unit is level, front-to-back and side-to-side in the 3 positions shown. Use suitable packing pieces (not supplied) to make the unit level BEFORE making any adjustment to the hinges, as shown.

b: Height adjustment.

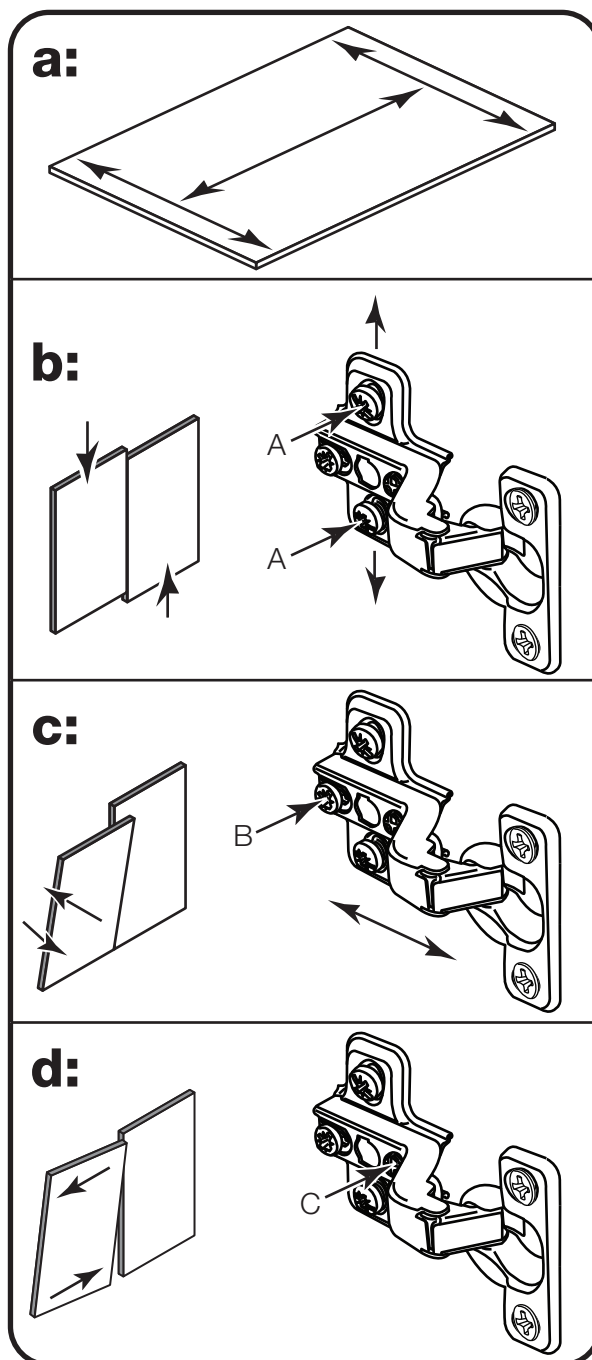
Loosen screws A on hinge plates and move door up or down as required. Retighten screw A.

c: Forward and Back adjustment.

Loosen screw B on hinge plate and move door in or out as required. Retighten screw B.

d: Sideways adjustment.

To move door 'out' loosen screw C. To move door 'in' tighten screw C.



Assembly Instructions

Step 27

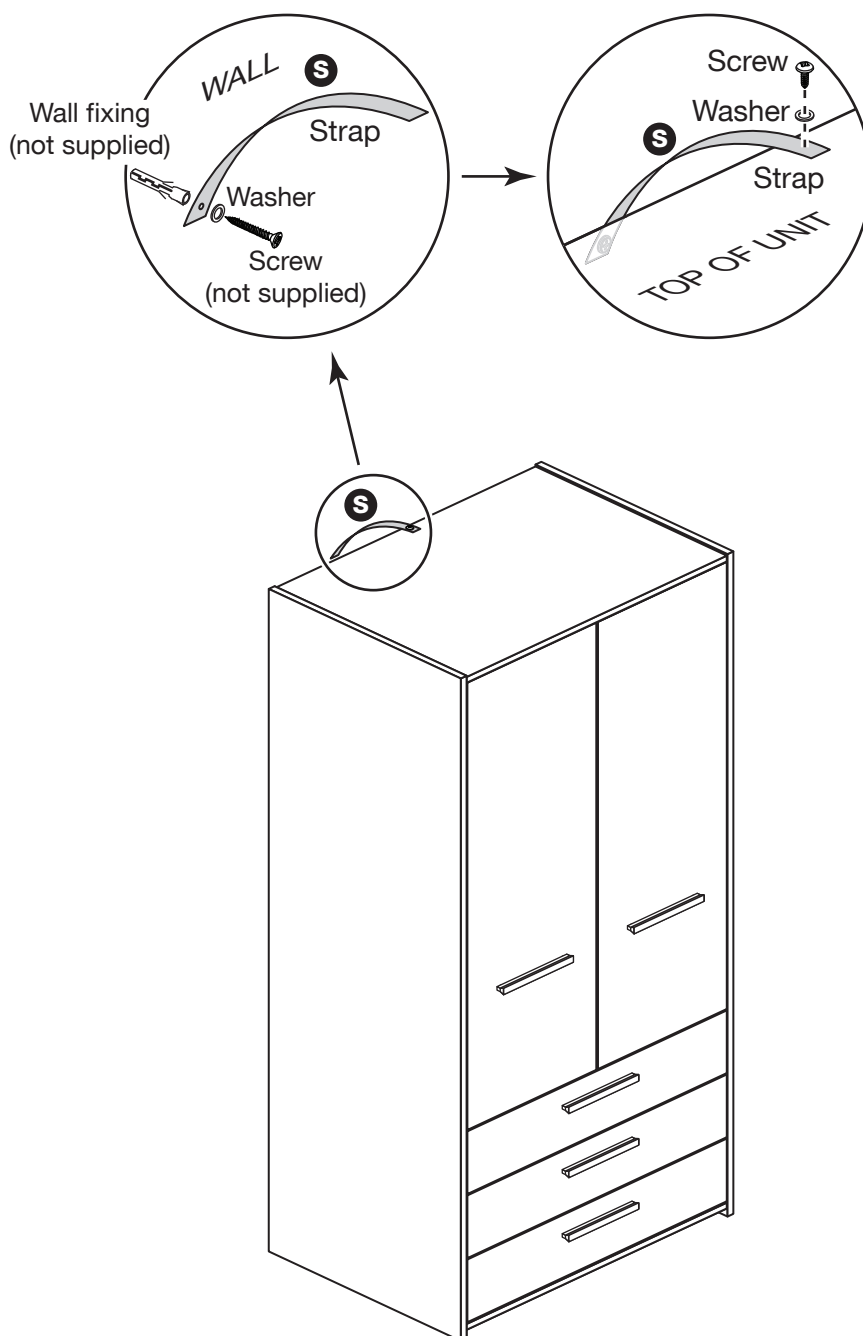
Fit the overbalance protector

To prevent possible overbalancing we recommend that this unit is secured to a suitable wall by fitting of the overbalance protector kit **S** to the unit, or an alternative fixing method of your choice.

Wall fixings are not supplied as they will need to suit the wall type.

Note: Take care when drilling the wall that you do not drill into any pipes, wires etc. If in doubt, consult an expert.

Assembly is complete



If you need help or have damaged or missing parts, call the Customer Helpline: 03456 400800 and quote the reference numbers on the component pages.

Argos Ltd, 489-499 Avebury Boulevard, Central Milton Keynes, MK9 2NW

