

Fun nat midsleep - 190x90cm bed

Assembly Instructions - Please keep for future reference

4115465



Dimensions

Length - 195cm

Depth - 99cm

Height - 112cm

Weight - 25.5kg

Important – Please read these instructions fully before starting assembly

If you need help or have damaged or missing parts, call the **Customer Helpline:**

0045 7668 8055 or e-mail: order@flexa.dk



Safety and Care Advice

Important – Please read these instructions fully before starting assembly

- Check you have all the components and tools listed on pages 2 and 3.
- Remove all fittings from the plastic bags and separate them into their groups.
- Keep children and animals away from the work area, small parts could choke if swallowed.
- Make sure you have enough space to layout the parts before starting.

- Do not stand or put weight on the product, this could cause damage.
- Assemble the item as close to its final position (in the same room) as possible.
- Assemble on a soft level surface to avoid damaging the unit or your floor.
- Parts of the assembly will be easier with 2 people.



- We do not recommend the use of power drill/drivers **for inserting screws**, as this could damage the unit. Only use hand screwdrivers.
- Dispose of all packaging carefully and responsibly.

Care and maintenance

- Only clean using a damp cloth and mild detergent, do not use bleach or abrasive cleaners.
- From time to time check that there are no loose screws on this unit.
- This product should not be discarded with household waste. Take to your local authority waste disposal centre.

IMPORTANT, READ CAREFULLY -RETAIN FOR FUTURE REFERENCE.

ASSEMBLY:

Current legislation requires that the bunk bed must be fitted with 4 safety-rails and a ladder or platform for the upper bunk bed. The bunk bed meets the European EN 747-2012 standards for security and durability.

MATTRESS:

This bed is designed to use a mattress size **190** cm. long and **90** cm. wide. The total thickness must not exceed **16,1** cm. The mattress top must not pass the marking on the ladder / the post for the safety-rail.

WARNING:

High beds and the upper bed of bunk beds are not suitable for children under six years due to the risk of injury from falls. Do not use the bed if any structural part is broken or missing. Be aware that children can strangle in items such as ropes, strings, cords, harnesses and belts attached to or hung on a bunk bed/high bed.

WARNING:

Children can become trapped between the bed and the wall. To avoid risk of serious injury the distance between the top safety barrier and the wall shall not exceed 75 mm. or shall be more than 230 mm.

MAINTENANCE INSTRUCTIONS:

All assembly fastenings should always be tightened properly and that care should be taken that no fittings are loose.

CLEANING:

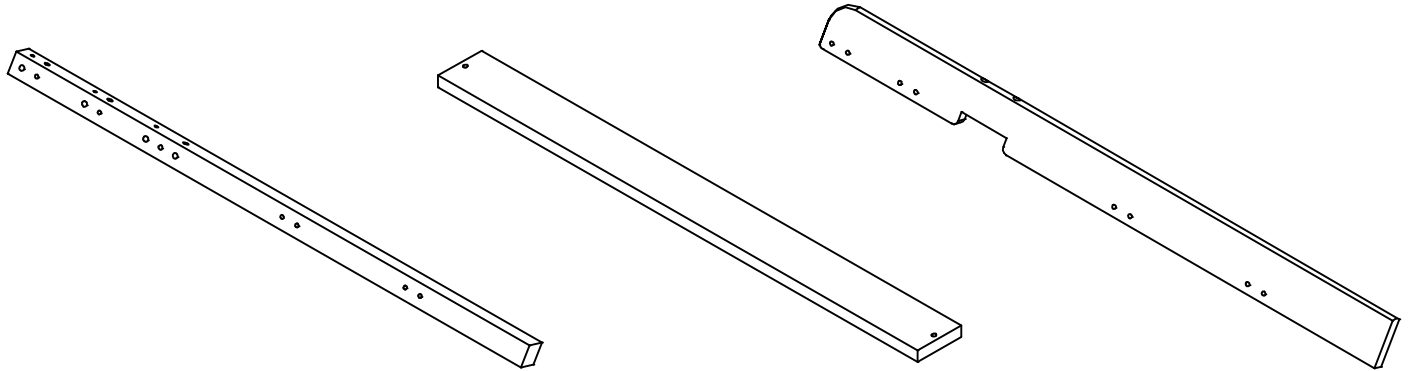
LACQUERED: Wooden, lacquered and painted as well as laminated surfaces should be wiped over with a cloth and a mild soap.

OIL: Oiled surfaces can be cleaned with soapy water, e.g. brown soap. Wipe with a clean cloth. To maintain the natural life in the furniture which is provided by the oil treatment, we recommend an oil aftercare of the furniture 1-2 times a year. The colourless natural oil for maintenance of oil-treated furniture is available at your local furniture store.

Components - Parts

If you have damaged or missing components, call the **Customer Helpline: 0045 7668 8055**

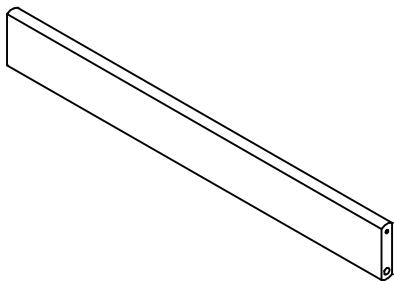
Please check you have all the parts listed below



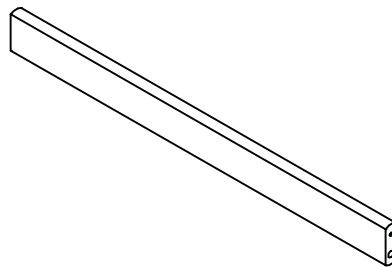
1 Leg x4 (111.3x4.3x4.3cm)
No. 12-04311135

2 Slat x15 (89.7x6.5x1.5cm)
No. 12-01508971

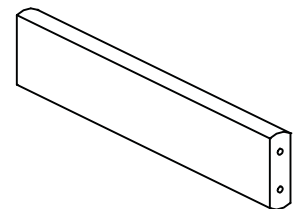
3 Ladder side x1
(111.3x8.9x2.0cm)
No. 12-02011132



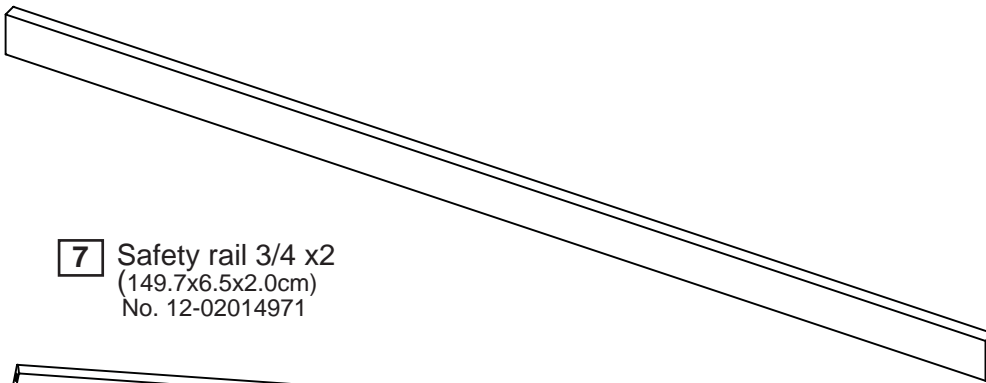
4 Endrail x2 (87.7x8.9x2.0cm)
No. 12-020087714



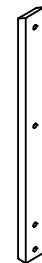
5 Endrail x4 (87.7x6.5x2.0cm)
No. 12-020087715



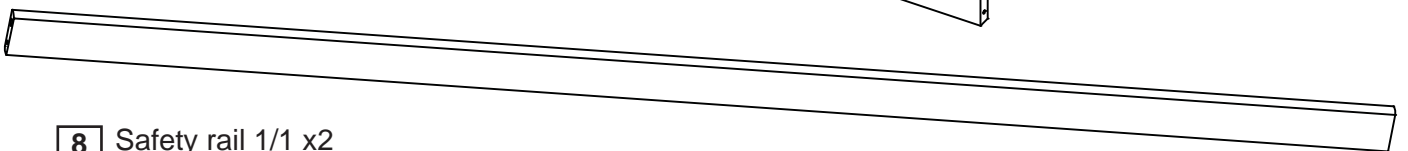
6 Tread x 2 (35.0x6.5x2.0cm)
No. 12-02003503



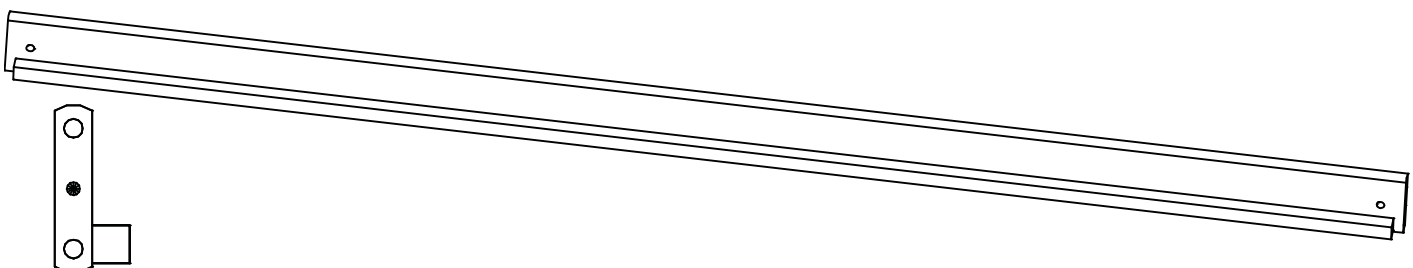
7 Safety rail 3/4 x2
(149.7x6.5x2.0cm)
No. 12-02014971



10 List f. safety rails x2
(31.8x2.8x1.2cm)
No. 12-01203181



8 Safety rail 1/1 x2
(186.7x6.5x2.0cm)
No. 12-02018673

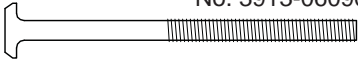


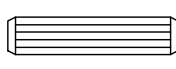
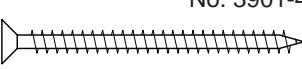
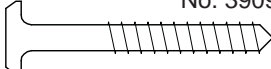
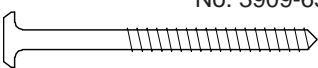

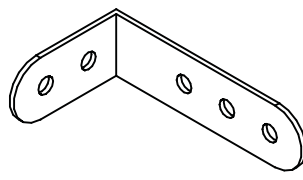




9 Bedside x2 (186.7x8.9x2.0cm)
No. 1305-18673

Components - Fittings

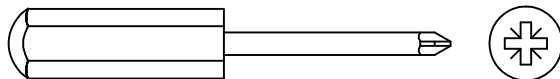
Please check you have all the fittings listed below

Note: The quantities below are the correct amount to complete the assembly. In some cases more fittings may be supplied than are required.

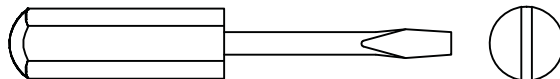
A  No. 3913-06090 M6x90mm Connecting bolt x4	B  No. 3922-06014 M6 Ø10x14mm Barrel nut x4	C  No. 3901-40030 4,0x30mm Chipboard screw x42
D  No. 3930-10045 10x45mm Dowel x26	E  No. 3901-45060 4,5x60mm Chipboard x2	F  No. 3909-63050 6,3x50mm Assembly screw x8
G  No. 3909-63090 6,3x90mm Assembly screw x22	H  No. 3938-00007-1 ø7mm Cover cap plastic x28	K  No. 4008-022 Angle 70x40,5x20mm x2
i  No. 3938-00010-1 ø10mm Cover cap plastic x18	J  No. 3939-00012 ø12x10mm Cover cap wood x2	

Tools required

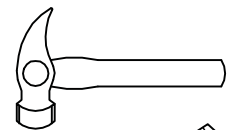
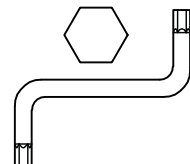
Phillips
screwdriver
(medium)



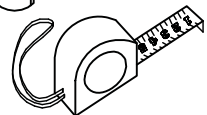
Flatblade
screwdriver
(medium)



Allen key
4mm incl.
No. 4033-004



Small
hammer



Ruler/tape
measure

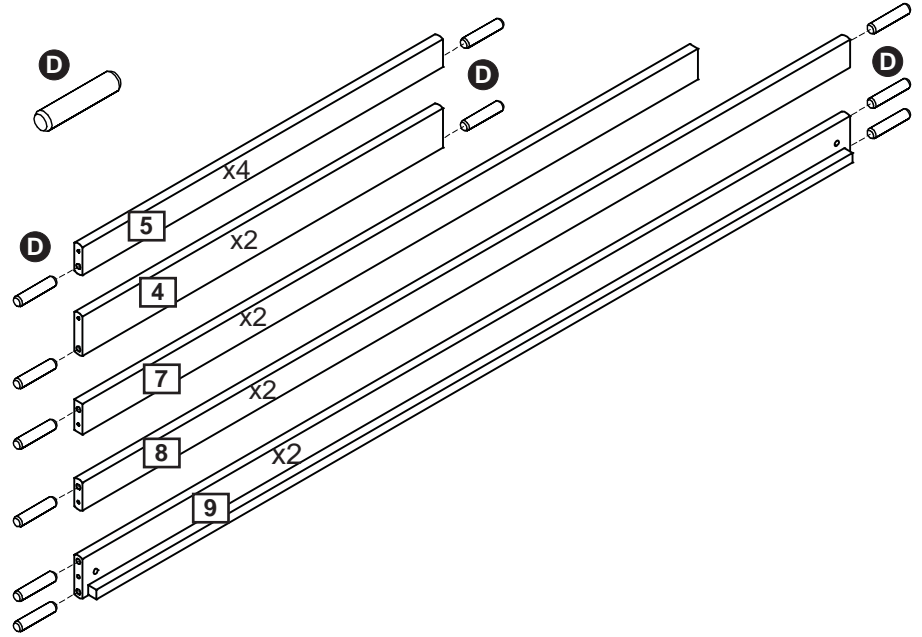


Eye protection
(when using a
hammer or glue)

Assembly Instructions

Step 1

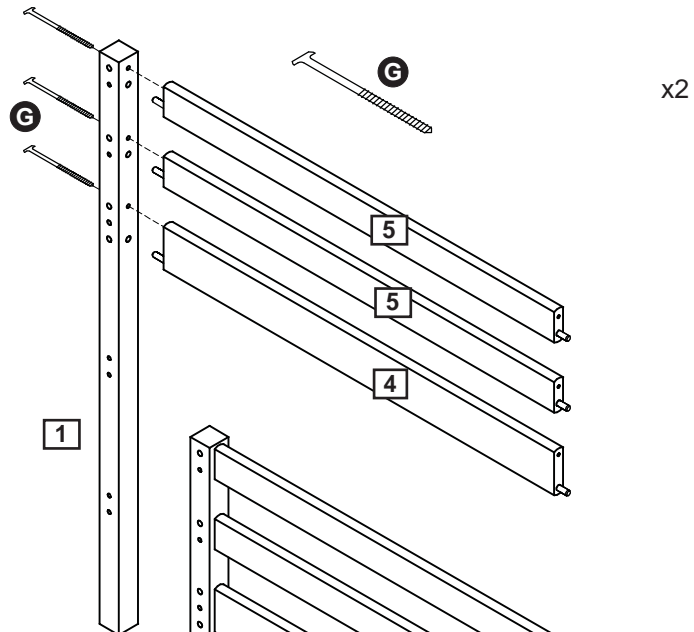
Attach the dowels **D** to endrails **4** and **5** and to the bedside **9** and to the safety rails **7** and **8**.



Step 2

Attach the leg **1** to the endrails **4** and **5** with 3 screws **G** using the Allen Key.

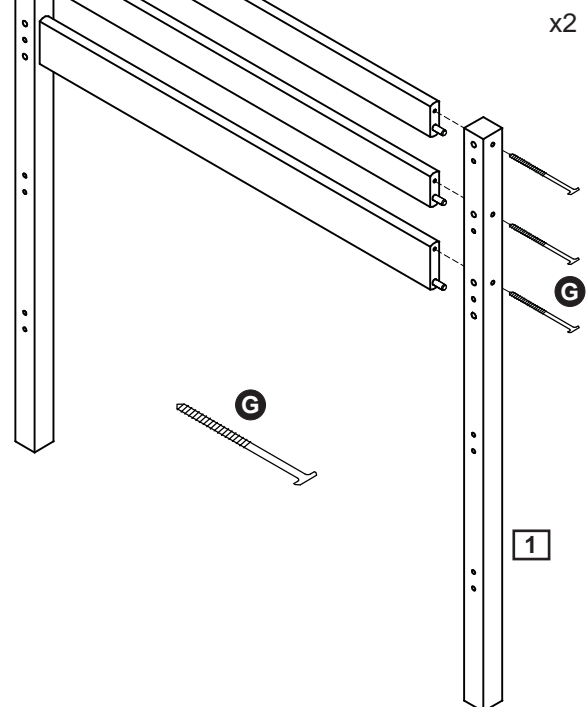
Repeat same procedure for both headboard and footboard



Step 3

Attach the leg **1** to the endrails with 3 screws **G** using the Allen Key.

Repeat same procedure for both headboard and footboard



Assembly Instructions

Step 4

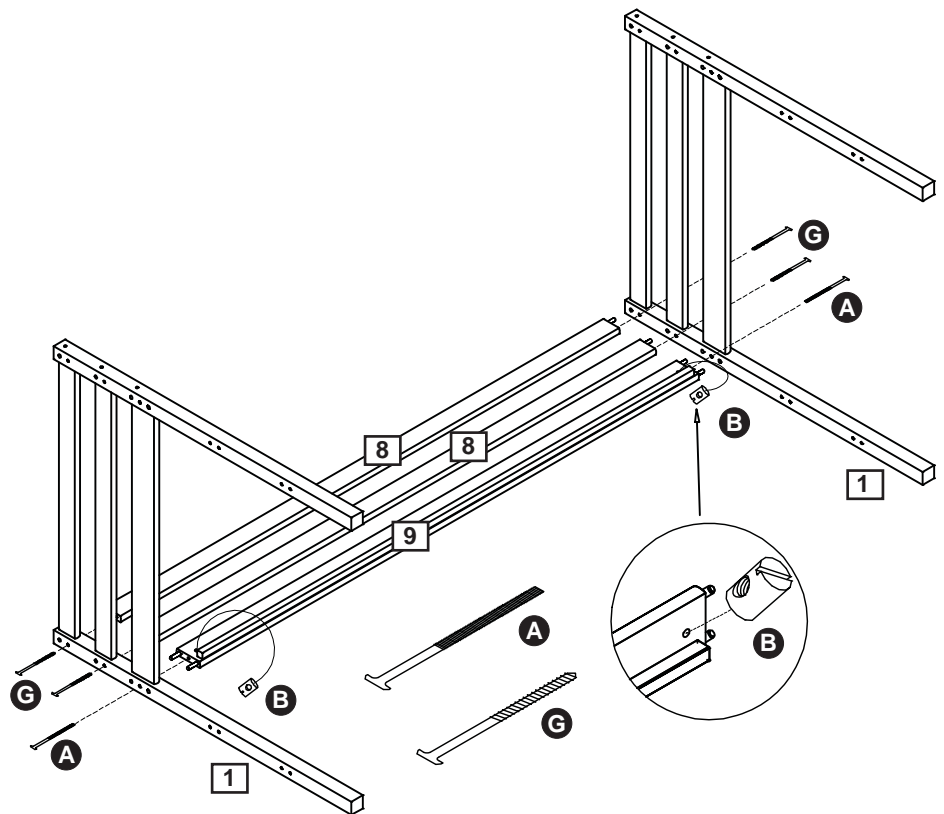
Attach the bedside **9** and the safety rails **8** to headboard and footboard firstly by placing the dowels in the holes in headboard and footboard.

The thin rail attached to the bed sides should face inwards.

Push barrel nut **B** into the small hole in bedside **9**, the groove on barrel nut **B** should be horizontal.

Push connecting bolt **A** through each leg **1** to meet barrel nut **B** and then fasten with the Allen Key.

Attach the safety rail **8** to the leg **1** with the screws **G**.



Step 5

Attach the bedside **9** and safety rail **7** to the end boards firstly by placing the dowels in the holes in endboards.

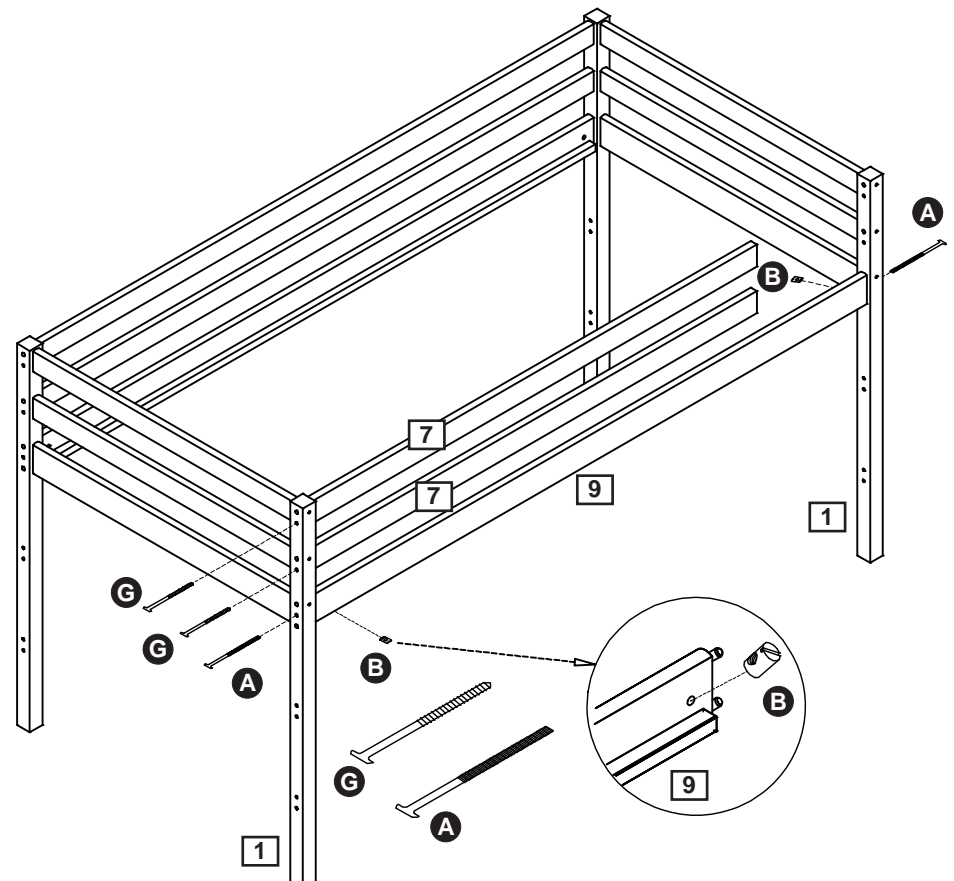
The thin rail attached to the bedside should face inwards.

Push barrel nut **B** into the small hole in the bedside **9** the groove on barrel nut **B** should be horizontal.

Push connecting bolt **A** through each leg **1** to meet barrel nut **B** and then fasten with the Allen Key.

Attach the safety rail **7** through the leg **1** with the screws **G**.

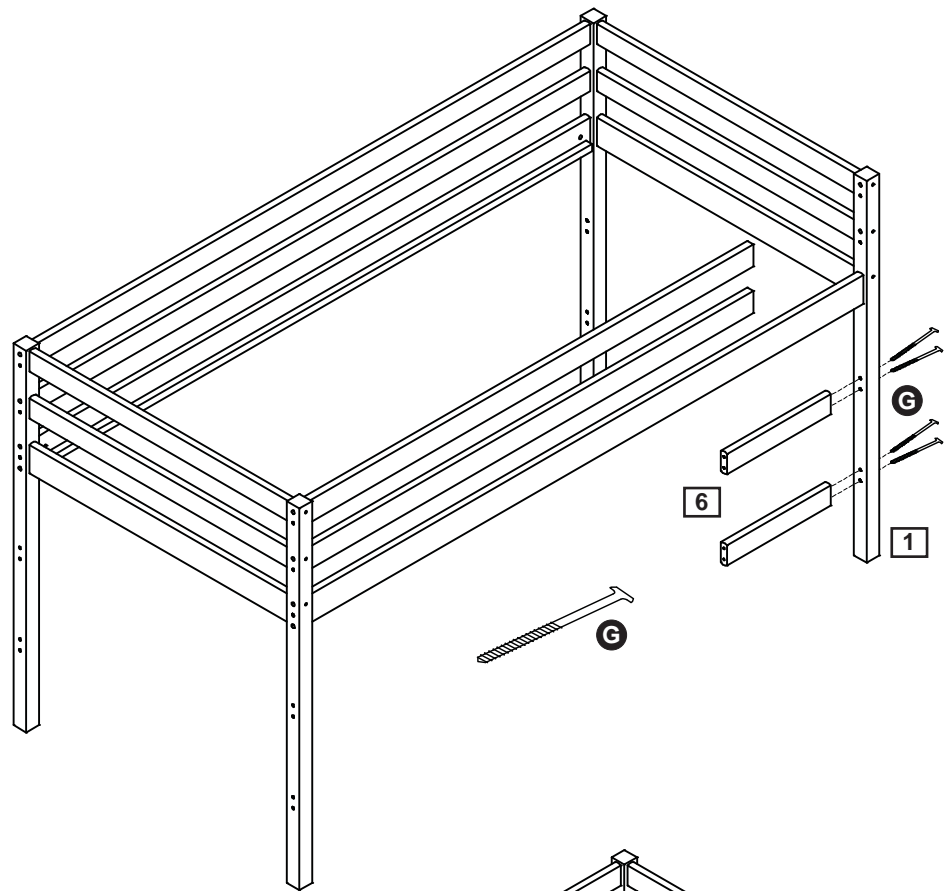
Ladder can be positioned left or right!



Assembly Instructions

Step 6

Attach the treads **6** with assembly screws **G** through the leg **1**.

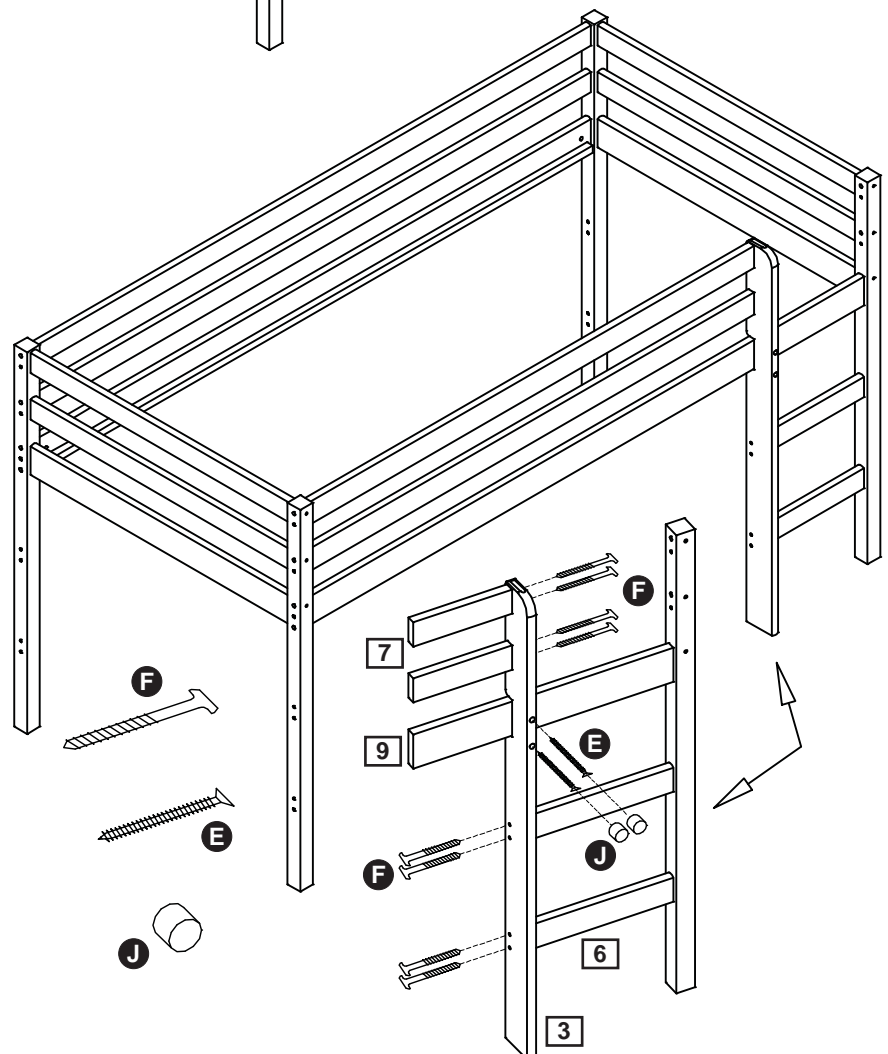


Step 7

Attach the ladder side **3** to the safety rails **7** with the screws **F**.

Attach the treads **6** to the ladder side **3** with the screws **F**.

Attach the ladder side **3** to the bedside **9** with the screws **E** and cover with the cover caps **J**.

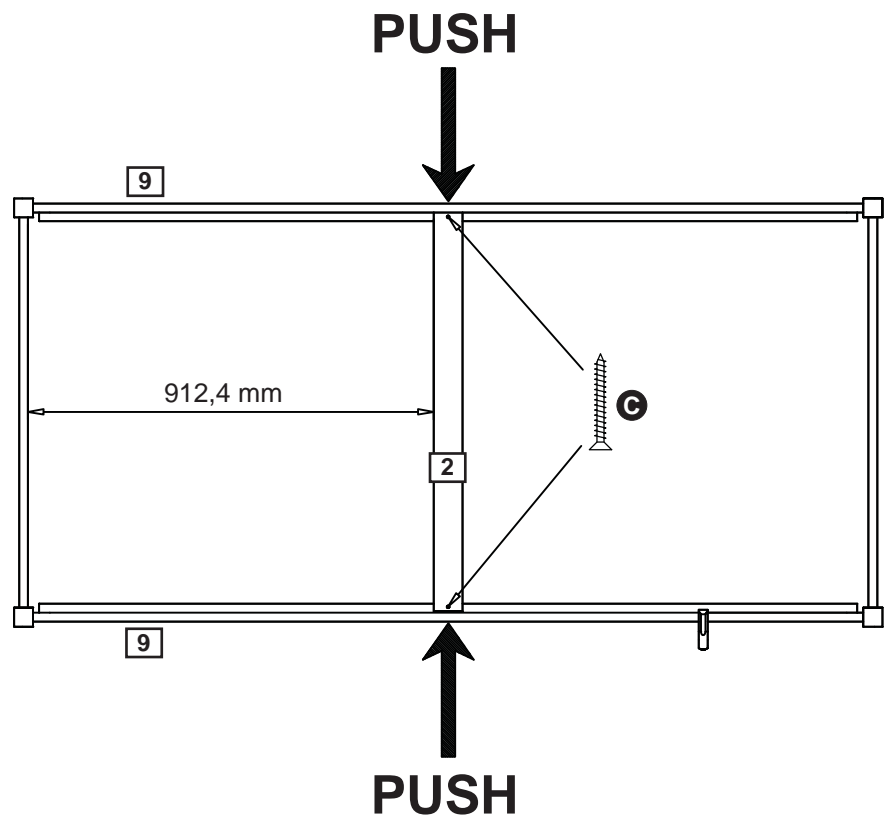


Assembly Instructions

Step 8

Place 1 slat **2** in the centre of the bed. Follow the measurement.

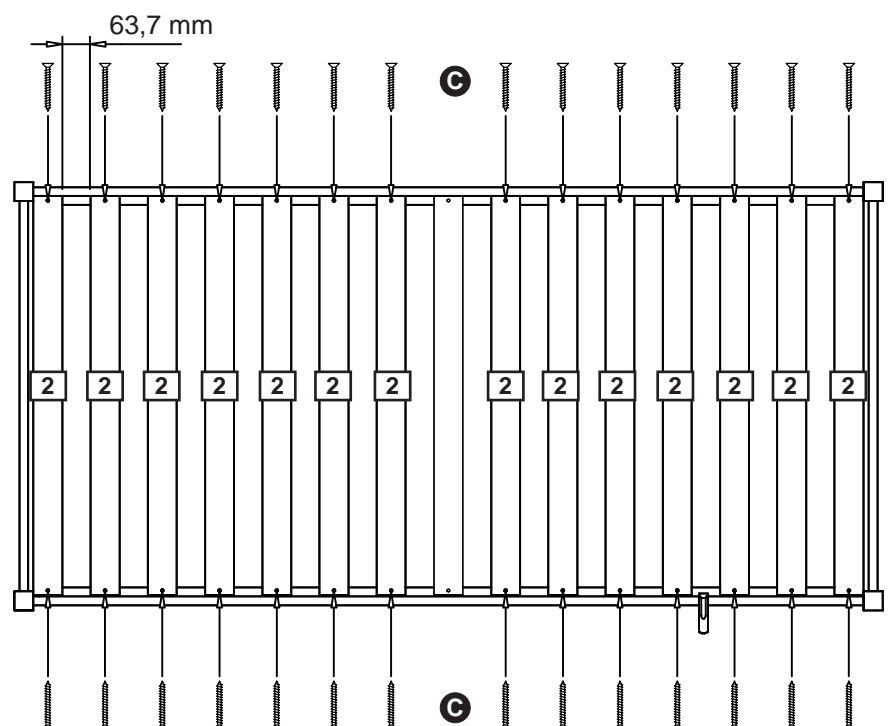
Push the bedsides **9** together whilst attaching slat **2** to the bed with 2 chipboard screws **C**.



Step 9

Position the remaining 14 slats **2** in the bed with a distance of 63,7 mm between each.

Fasten each slat with 2 chipboard screws **C**.



Assembly Instructions

Step 10

Attach the safety list **10** inside of the bed, on the front safety rails **7**. Should be in the center of the front guards between the slats.

Attach it **10** to the safety rails **7** and the bedside **9** with chipboard screws **C**.

Follow the measurement.

Attach the safety list **10** outside of the bed, on the back safety rails **8**. Should be in the center of the back guards.

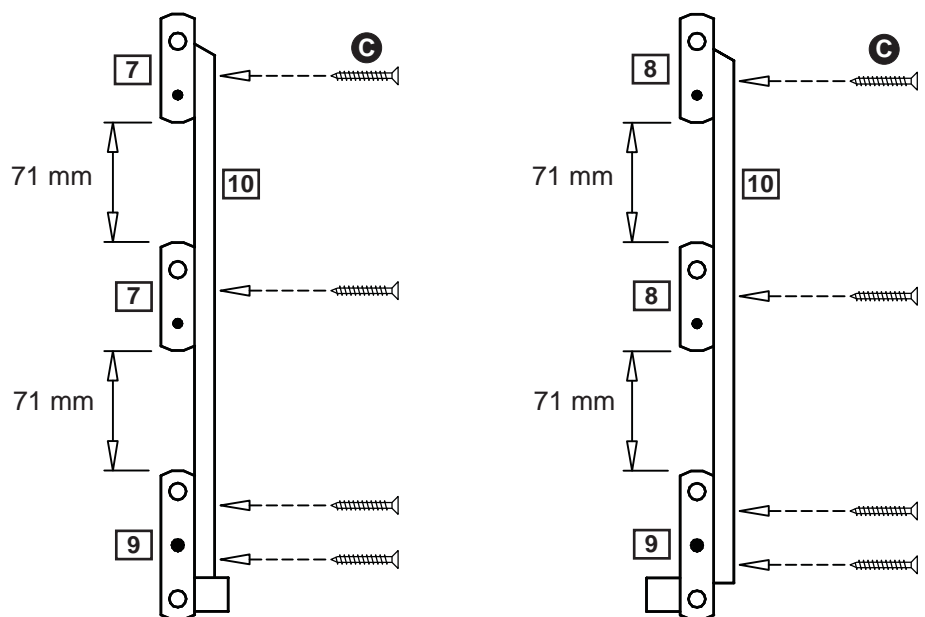
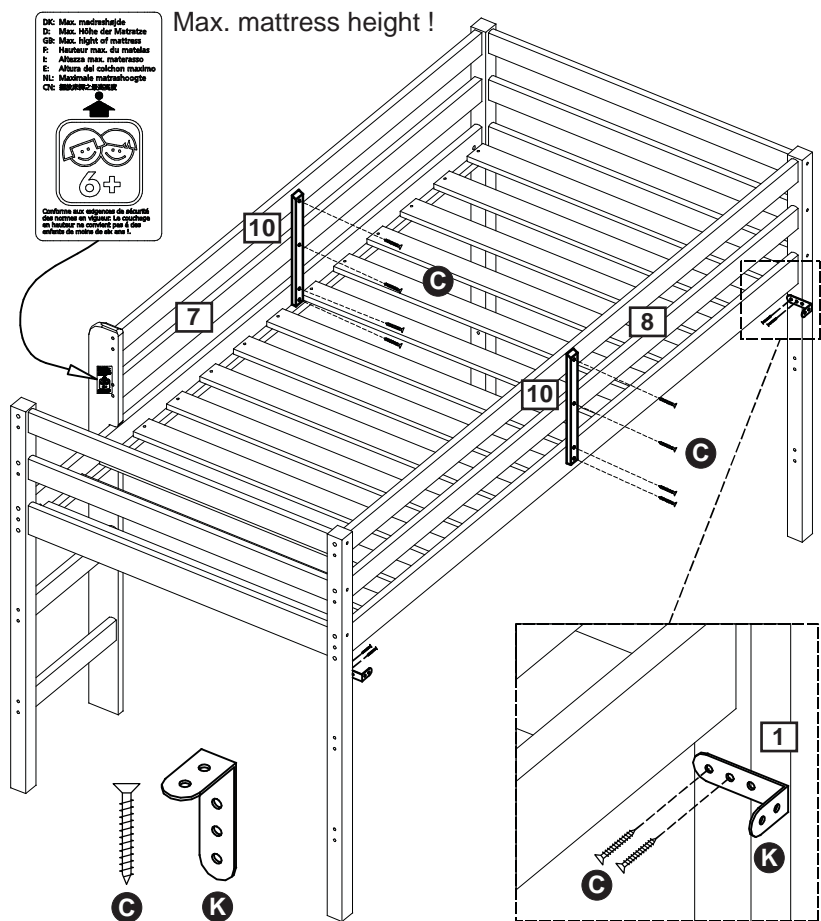
Attach it **10** to the safety rails **8** and the bedside **9** with chipboard screws **C**.

Follow the measurement.

Attach wall mounting brackets **K** to the leg **1** with chipboard screws **C**.

Max. mattress height !

Assembly is complete.



If you need help or have damaged or missing parts, call the **Customer Helpline: 0045 7668 8055**
 E-mail: order@flexa.dk