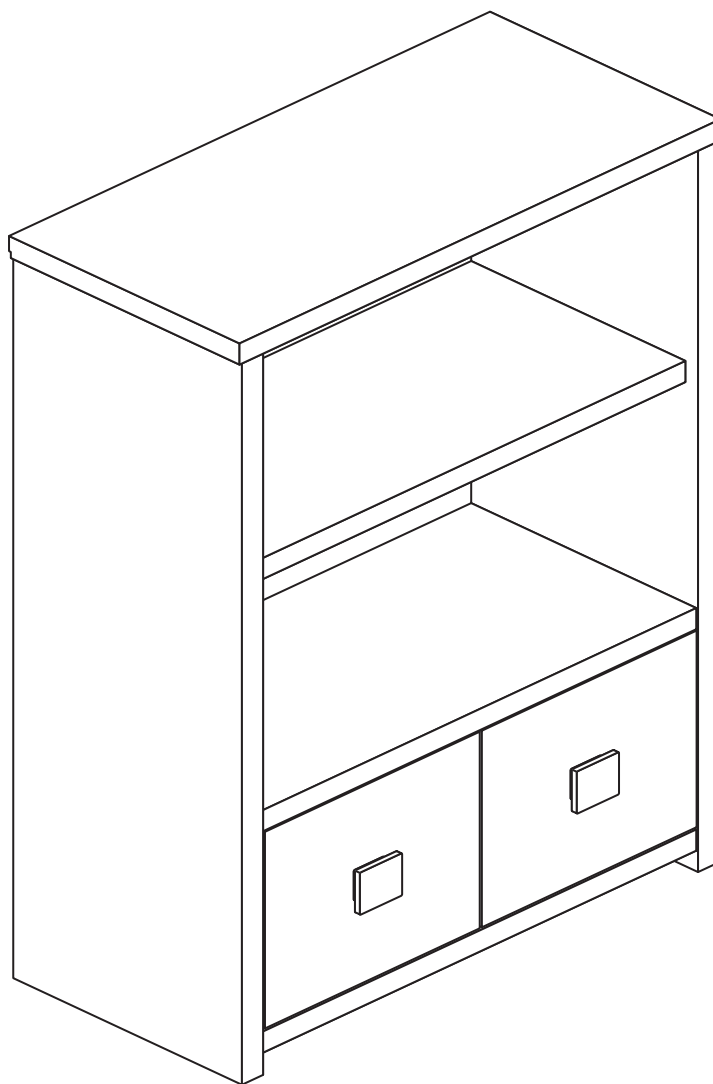


Eden - Low Display Unit

Assembly Instructions - Please keep for future reference

412/3062

411/3852



Dimensions

Width - 79.5cm

Depth - 38.1cm

Height - 123cm



**MADE IN
BRITAIN**

Important - Please read these instructions fully before starting assembly

If you need help or have damaged or missing parts, please visit www.argos-support.co.uk or email: Help@ClickSpares.co.uk (quoting your original order number)

Alternatively, call the Spares Helpline on: 0370 112 1928.

For any other queries please contact the Customer Helpline on: 0345 640 2020



Safety and Care Advice

Important - Please read these instructions fully before starting assembly

- **Warning:** This unit weighs approximately 24kgs. Please lift with care.

- Check you have all the components and tools listed on pages 2 and 3.

- Remove all fittings from the plastic bags and separate them into their groups.

- Keep children and animals away from the work area, small parts could choke if swallowed.

- Parts of the assembly will be easier with 2 people.

- Make sure you have enough space to layout the parts before starting.

- Do not stand or put weight on the product, this could cause damage.

- Assemble the item as close to its final position (in the same room) as possible.

- Assemble on a soft level surface to avoid damaging the unit or your floor (use opened out unit carton).



- We do not recommend the use of power drill/drivers **for inserting screws**, as this could damage the unit. Only use hand screwdrivers.

- **Safety note:** It is recommended that this unit is secured to a wall using the overbalance protector kit supplied or, an alternative fixing method of your choice.

- Dispose of all packaging carefully and responsibly.

Care and maintenance

- Only clean using a damp cloth and mild detergent, do not use bleach or abrasive cleaners.

- From time to time check that there are no loose screws on this unit.

- This product should not be discarded with household waste. Take to your local authority waste disposal centre.

Note: If required the next page can be cut out and used as reference throughout the assembly. Keep this page with these instructions for future reference.

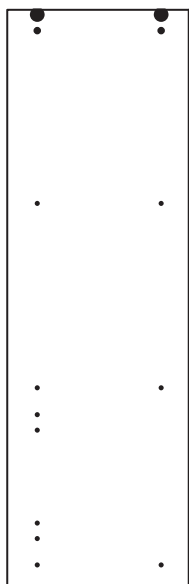
Components - Panels

If you need help or have damaged or missing parts, please visit www.argos-support.co.uk or email: Help@ClickSpares.co.uk (quoting your original order number)

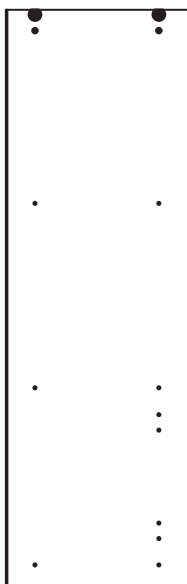
Alternatively, call the Spares Helpline on: 0370 112 1928.

For any other queries please contact the Customer Helpline on: 0345 640 2020

Please check you have all the panels listed below



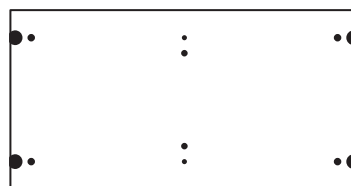
1 Left Side (DF3444)
(119.5 x 37.8cm)



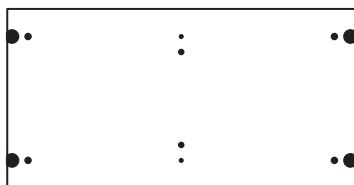
2 Right Side (DF3445)
(119.5 x 37.8cm)



3 Top (DF3446)
(79.5 x 38.1cm)



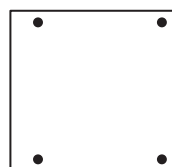
4 Base (DF3449)
(71.9 x 37.2cm)



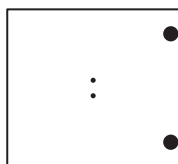
5 Fixed Shelf (DF3448)
(71.9 x 37.2cm)



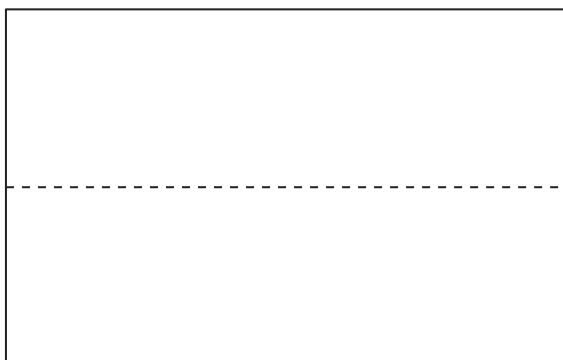
6 Shelf (DF3447)
(71.9 x 35.4cm)



7 Divider (DF1237)
(33.1 x 35cm)



8 Door (DF3450)
(32.5 x 35.5cm) x 2



9 Back (X1170-735)
(117 x 73.5cm)

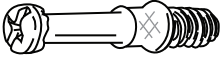




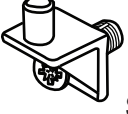
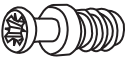
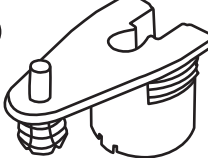
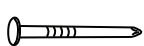

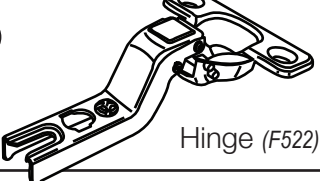
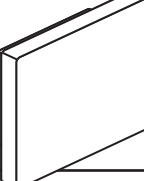
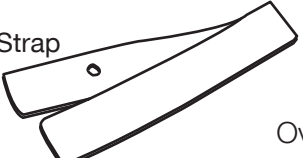




Components - Fittings

If you have damaged or missing components, call the **Customer Helpline: 03456 400800** quoting the reference numbers below

Please check you have all the fittings listed below

Note: The quantities below are the correct amount to complete the assembly. In some cases more fittings may be supplied than are required.

<p>A  Metal dowel (F901) x 4</p>	<p>B  Large locking nut (F900) x 4</p>	<p>C  Wooden dowel (F22) x 4</p>
<p>D  19mm Screw (F461) x 4</p>	<p>E  13mm Screw (F63) x 8</p>	<p>F  Shelf stud (F372) x 4</p>
<p>G  Small metal dowel (F893) x 12</p>	<p>H  Hollow core locking nut (F892) x 12</p>	<p>I  Nail (F51) x 24</p>
<p>J  Hinge plate (F523) x 4</p>	<p>K  Hinge (F522) x 4</p>	<p>L  Handle (F414) x 2</p>
<p>M  Strap  Screw  Washer x 2 Overbalance protector kit (F269) x 1</p>		

Tools required



Rule



Cross-head screwdriver



Scissors



Hammer

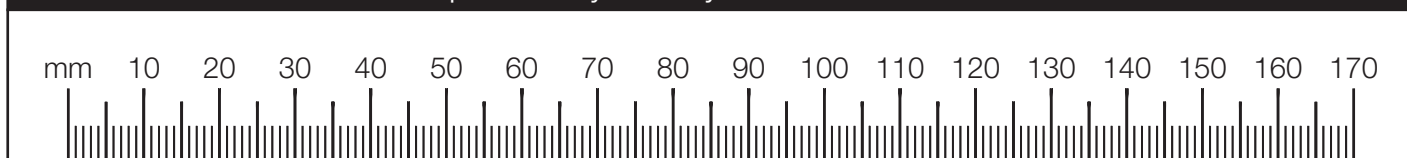


Eye protection (when using a hammer or drill)



Electric drill (do not use for fitting screws)

Ruler - Use this ruler to help correctly identify the screws



Assembly Instructions

Step 1

Prepare the fixed shelf

Push 4 hollow core locking nuts **H** into the fixed shelf **5**, making sure that they are flush against the panel's surface.

Using a hammer, tap in the pin on the hollow core locking nut **H**.

Note: The pin should be tapped in flush with the top surface of the hollow core locking nut **H**.

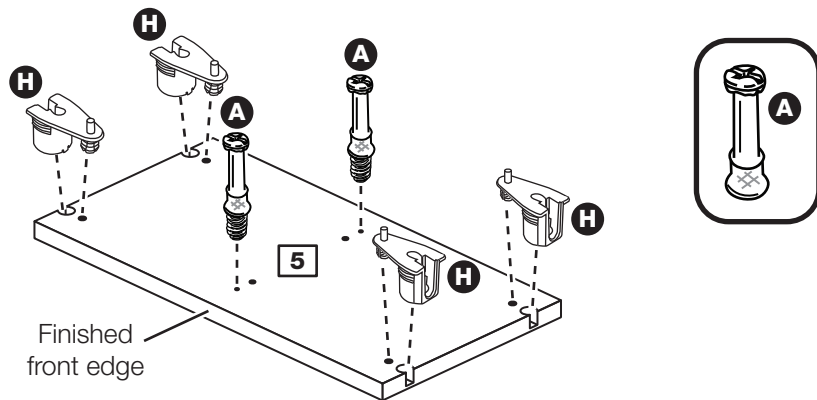
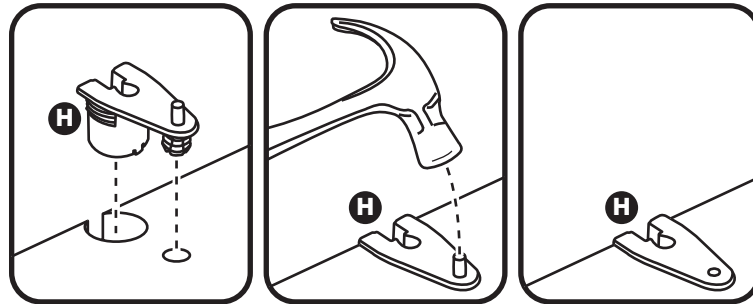
Screw 2 metal dowels **A** into the fixed shelf **5**.

Note: Tighten the metal dowels up fully against the panels.

Note: The base and fixed shelf panels are similar.

The 4 holes in the middle of the fixed shelf **5** are only part-drilled.

The 4 holes in the middle of the base **4** are drilled all the way through.



Step 2

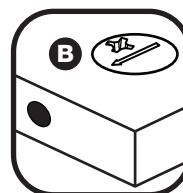
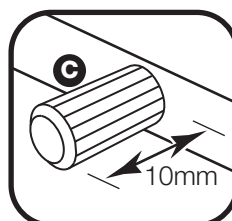
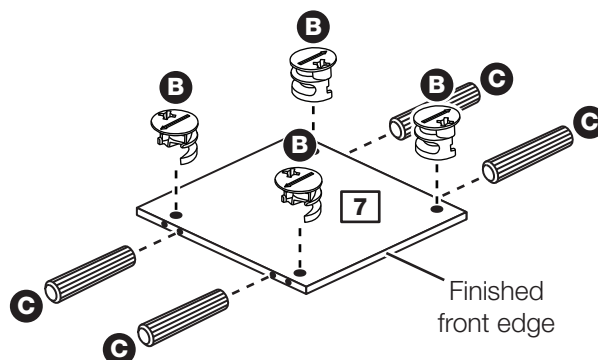
Prepare the divider

Insert 4 large locking nuts **B** into the divider **7**.

Note: The arrow on the locking nut **must** point towards the hole in the edge of the panel.

Tap 4 wooden dowels **C** into the divider **7**.

Note: Wooden dowels **must not** stick out from the edge by more than 10mm or they may damage other panels.



Assembly Instructions

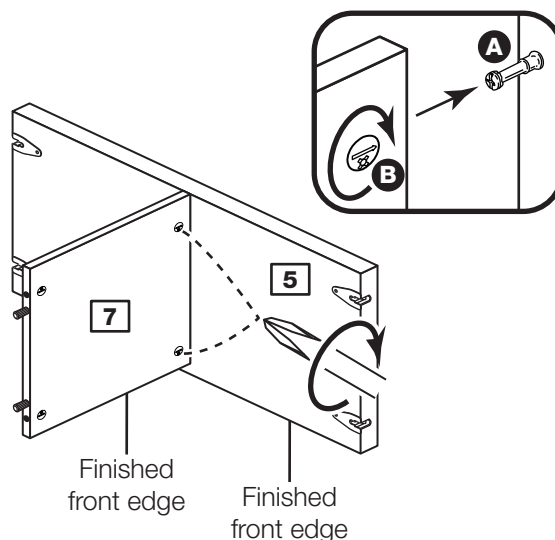
Step 3

Fit the divider to the fixed shelf

Push the divider **7** onto the fixed shelf **5**.

Use a screwdriver to tighten the 2 large locking nuts **B** fitted to the divider **5**.

Note: Turn the large locking nuts **B** as far as they will go - more than 1/2 a turn.



Step 4

Prepare the base

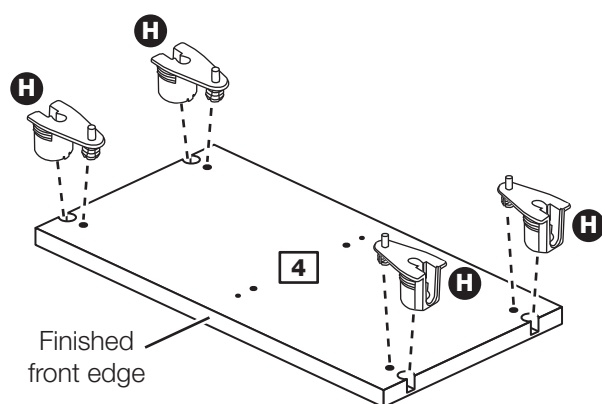
Push 4 hollow core locking nuts **H** into the base **4**, making sure that they are flush against the panel's surface.

Using a hammer, tap in the pin on the hollow core locking nut **H**.

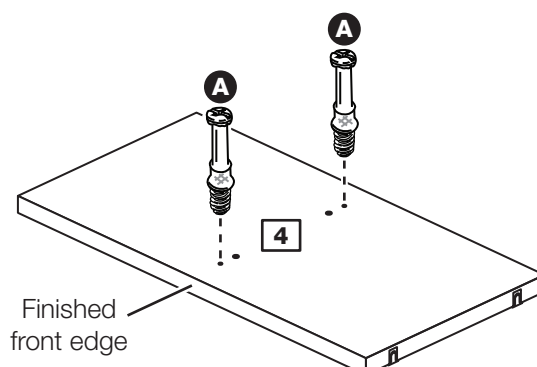
Note: The pin should be tapped in flush with the top surface of the hollow core locking nut **H**.

Turn the base over

Screw 2 metal dowels **A** into the base **4**.



Turn the base over



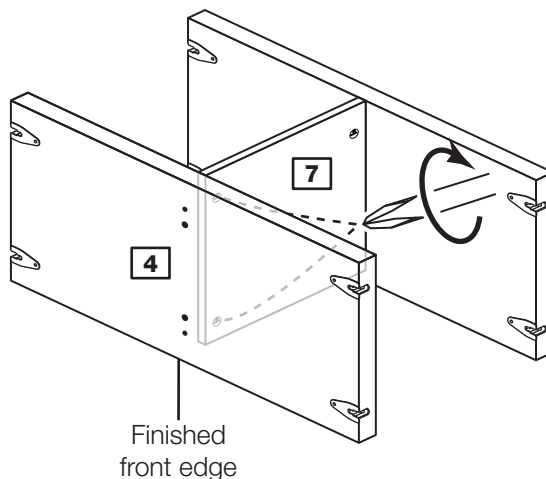
Assembly Instructions

Step 5

Fit the base

Push the base **4** onto the divider **7**.

Use a screwdriver to tighten the 2 large locking nuts **B** fitted to the divider **7**.



Step 6

Prepare the right side

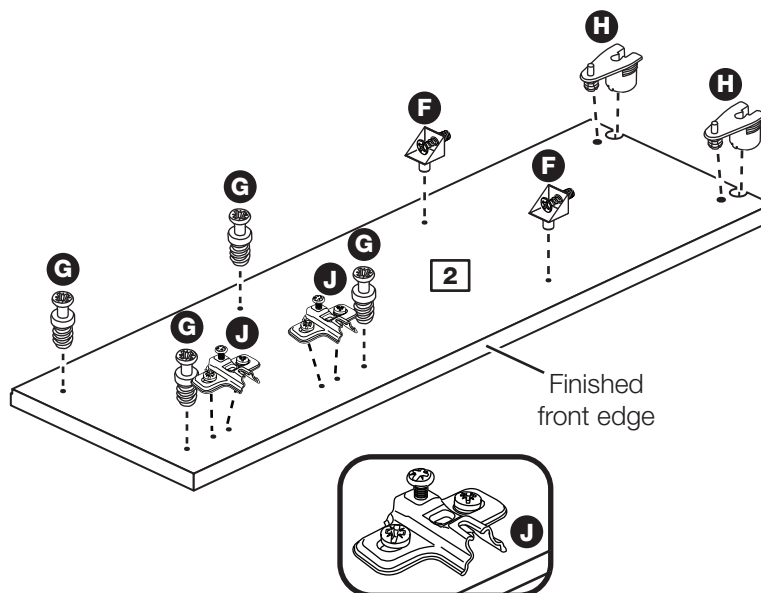
Push 2 hollow core locking nuts **H** into the right side **2**, making sure that they are flush against the panel's surface.

Using a hammer, tap in the pin on the hollow core locking nut **H**.

Screw 4 small metal dowels **G** into the right side **2**.

Push 2 shelf studs **F** into the right side **2**.

Fit 2 hinge plates **J** onto the right end **2**, making sure that the slot is facing towards the finished front edge.



Assembly Instructions

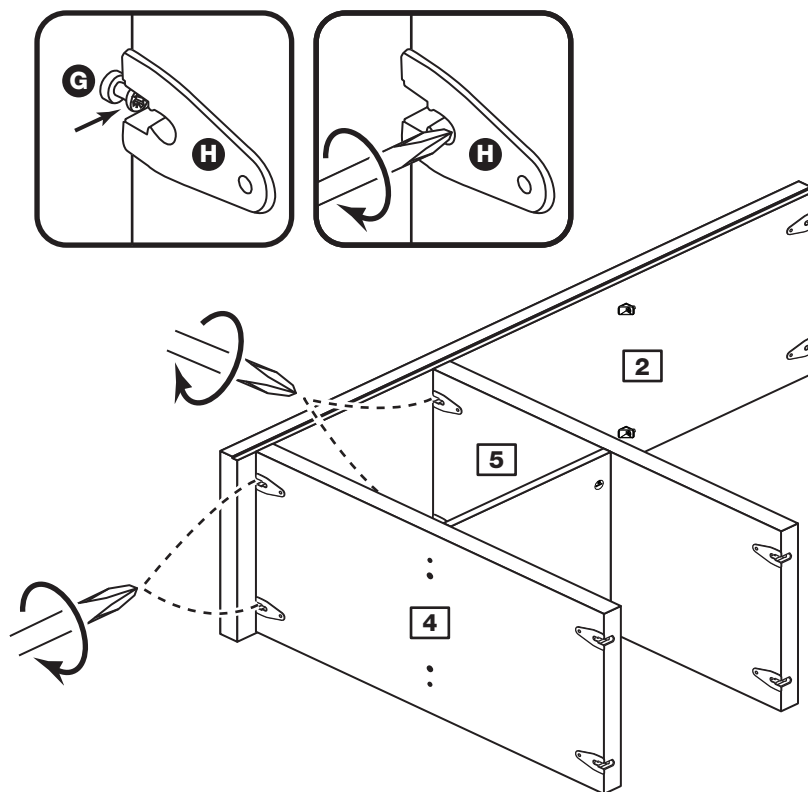
Step 7

Fit the right side

Push the right side **2** onto the base **4** and fixed shelf **5**.

The 4 small metal dowels **G** fitted to the right side **2** must slide into the top of the 4 hollow core locking nuts **H** fitted to the base **4** and fixed shelf **5**.

Insert a screwdriver into the 4 hollow core locking nuts **H** and turn the nuts inside as far as they will go.



Step 8

Prepare the left side

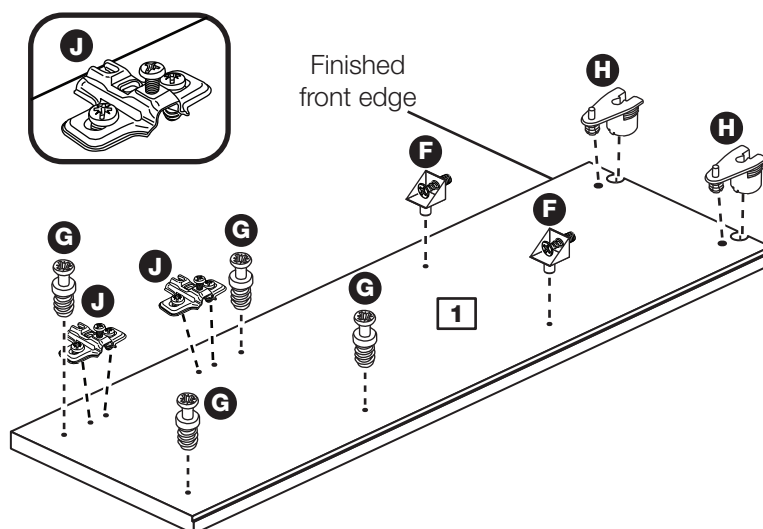
Push 2 hollow core locking nuts **H** into the left side **1**, making sure that they are flush against the panel's surface.

Using a hammer, tap in the pin on the hollow core locking nut **H**.

Screw 4 small metal dowels **G** into the left side **1**.

Push 2 shelf studs **F** into the left side **1**.

Fit 2 hinge plates **J** onto the left end **1**, making sure that the slot is facing towards the finished front edge.



Assembly Instructions

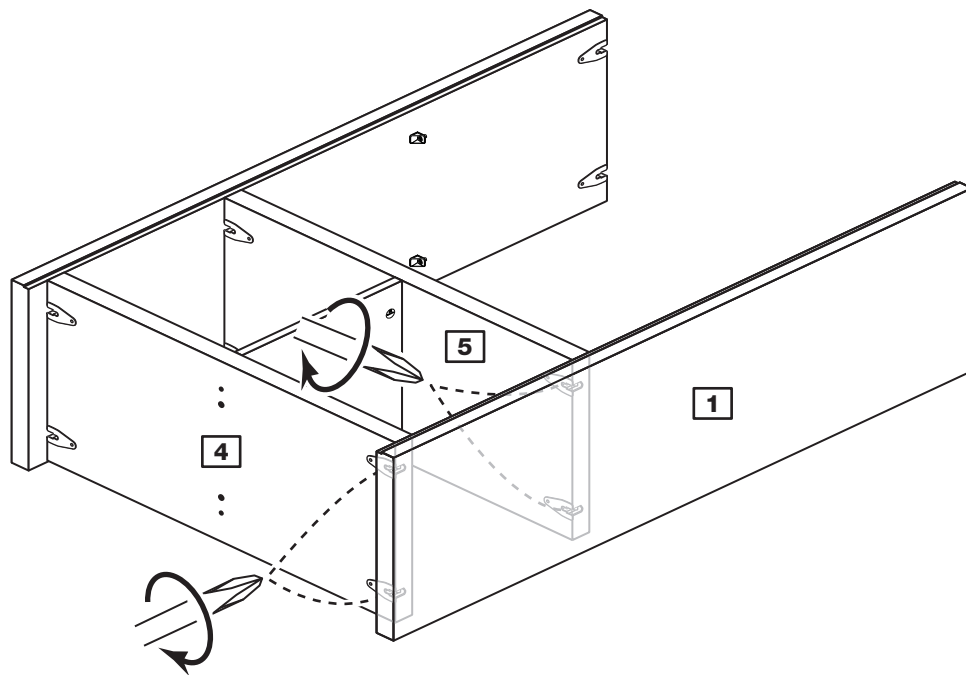
Step 9

Fit the left side

Push the left side **1** onto the base **4** and fixed shelf **5**.

The 4 small metal dowels **G** fitted to the left side **1** must slide into the top of the 4 hollow core locking nuts **H** fitted to the base **4** and fixed shelf **5**.

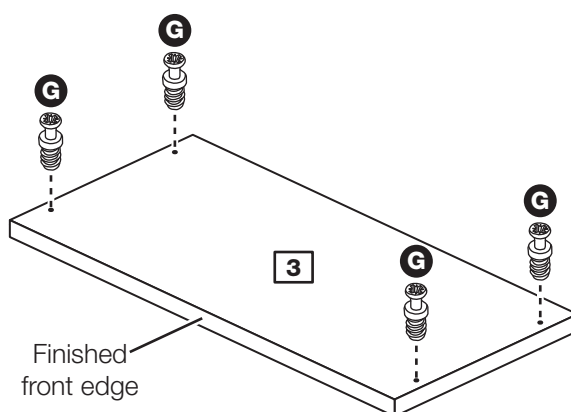
Insert a screwdriver into the 4 hollow core locking nuts **H** and turn the nuts inside as far as they will go.



Step 10

Prepare the top

Screw 4 small metal dowels **G** into the top **3**.



Assembly Instructions

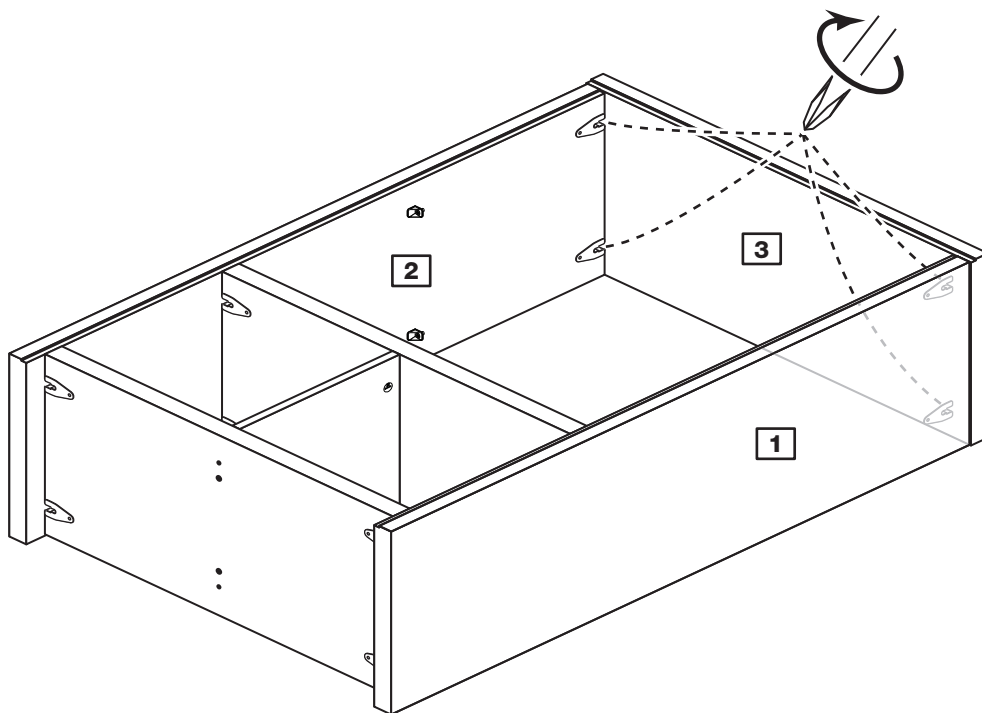
Step 11

Fit the top

Push the top **3** onto the left side **1** and right side **2**.

The 4 hollow core locking nuts **H** fitted to the left side **1** and right side **2** must slide over the 4 small metal dowels **G** fitted to the top **4**.

Insert a screwdriver into the 2 hollow core locking nuts **H** and turn the nuts inside as far as they will go.



Step 12

Fit the back

a: Square up the unit by making sure that measurement **x to x** equals **y to y**.

b: Place the back **9** onto the unit.

Nail **1** around the outside edges of the back **9**.

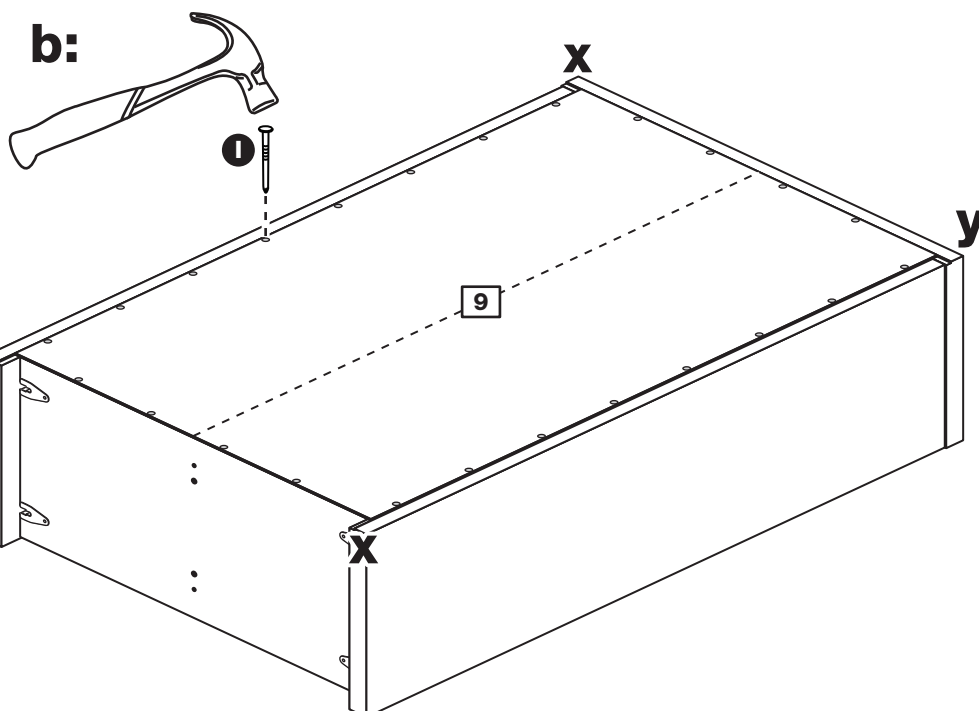
Note: Nails should be spaced about 150mm apart.

Stand the unit up for the next step.



Warning: The unit is heavy. Lift with care.

a: The measurement from top corner X to bottom corner X must be equal to the measurement from top corner Y to bottom corner Y



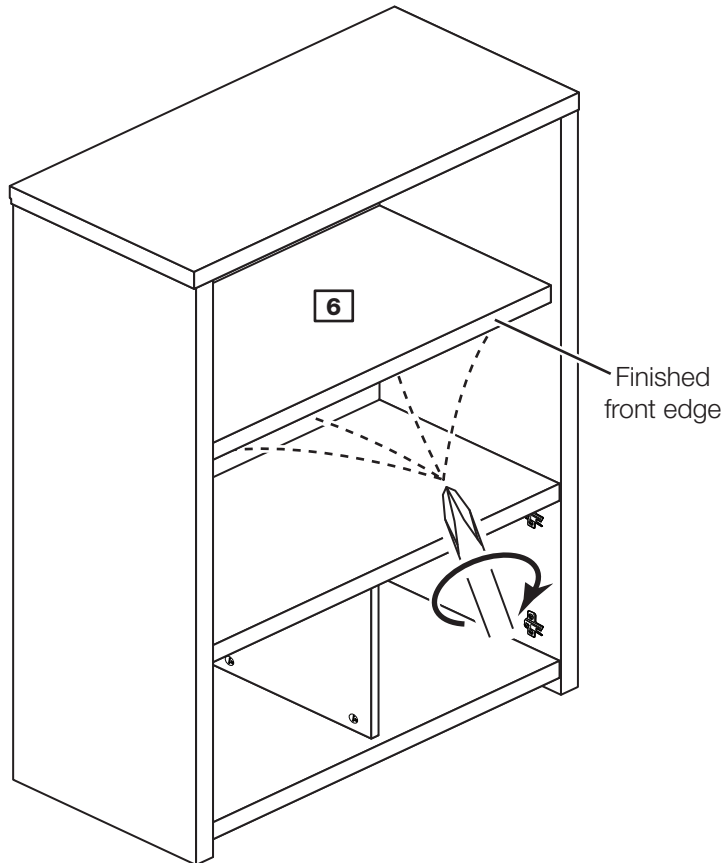
Assembly Instructions

Step 13

Fit the shelf

Lower the shelf **6** down onto the 4 shelf studs **F**.

Tighten the screws in the shelf studs **F** up into the shelf **6**.



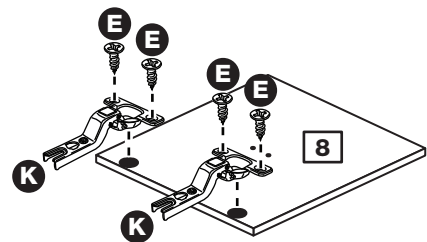
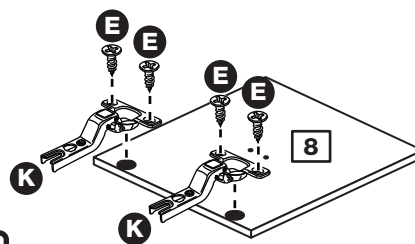
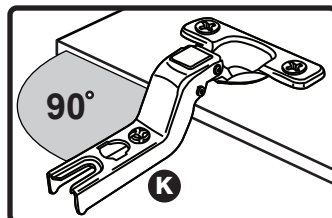
Step 14

Prepare the 2 doors

Push fit 2 hinges **K** into each of the 2 doors **8**.

Secure each hinge with 2 screws **E**.

Note: Before securing with the screws, make sure that the hinges are positioned at 90 degrees with the edge of the door.



Assembly Instructions

Step 15

Fit doors and handles

Note: The easiest way to attach each door **8** is to fit the top hinge first, then align and fit the bottom hinge.

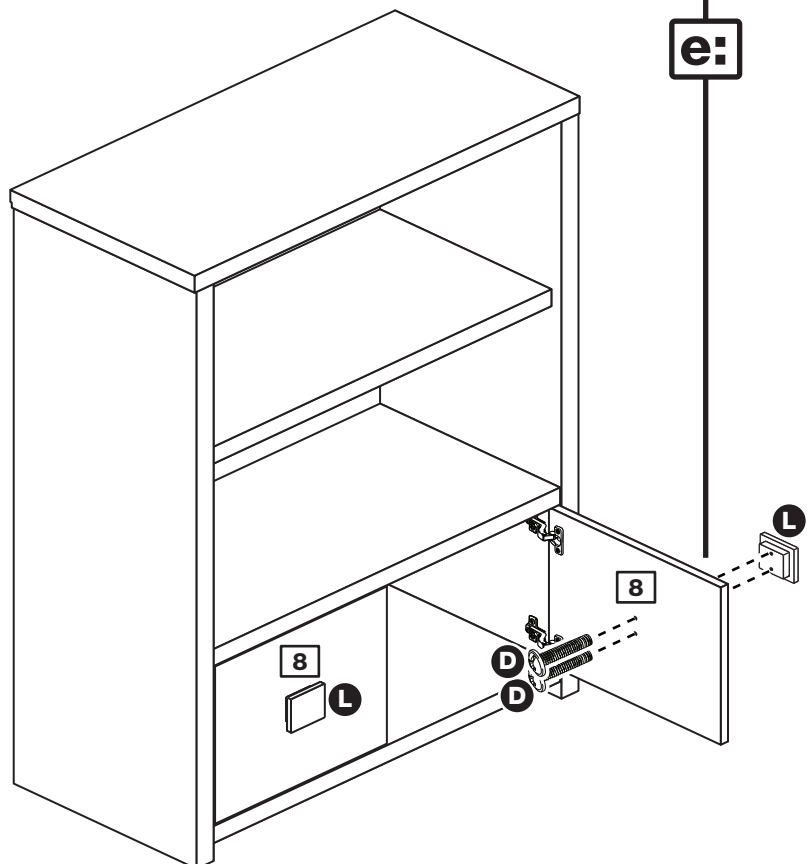
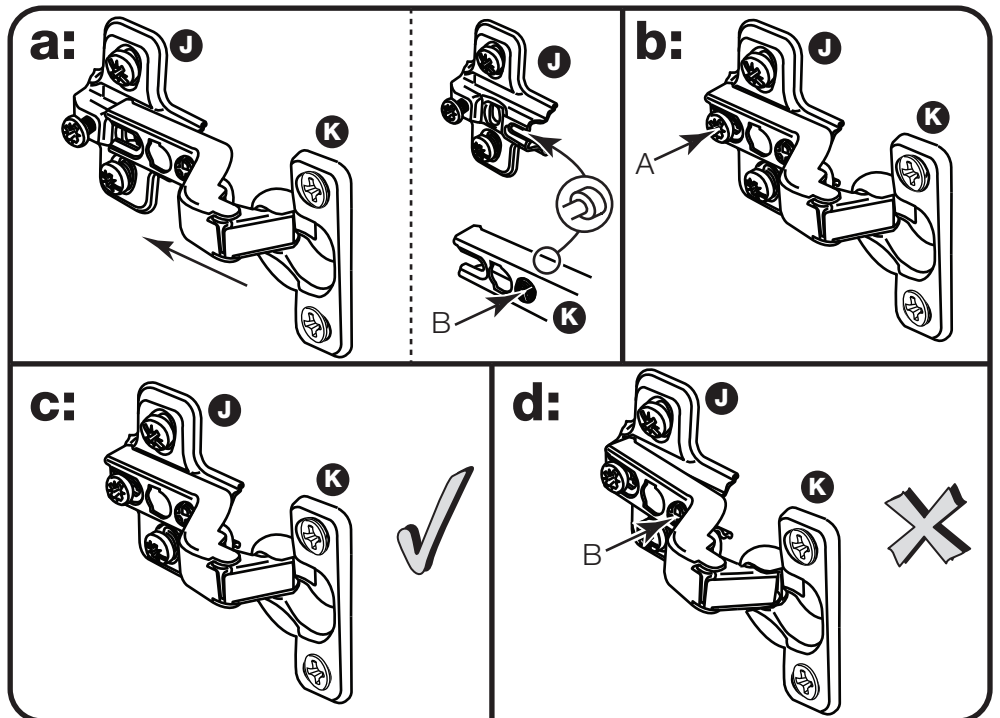
a: Push the hinge **K** onto the front part of the hinge plate **J**.

b: Keep the hinge **K** FLAT against the hinge plate **J** as you slide it across as far as it will go. Tighten screw A.

c: The hinge **K** must be flat against the hinge plate **J** prior to any adjustment.

d: The hinge **K** must NOT be AT AN ANGLE to the hinge plate **J** when assembled. This would indicate that the recess at the bottom of screw B had not located in the slot in the hinge plate and the hinge would not be secure. Remove the hinge from the hinge plate and then re-assemble being careful to follow instructions a-c.

e: Attach a handle **L** to each of the 2 doors **8** using screws **D**.



Assembly Instructions

Step 16

Adjust the doors if needed

a: Before adjusting the doors, use a spirit level to check the base (or top) of the unit is level, front-to-back and side-to-side in the 3 positions shown. Use suitable packing pieces (not supplied) to make the unit level BEFORE making any adjustment to the hinges, as shown.

b: Height adjustment.

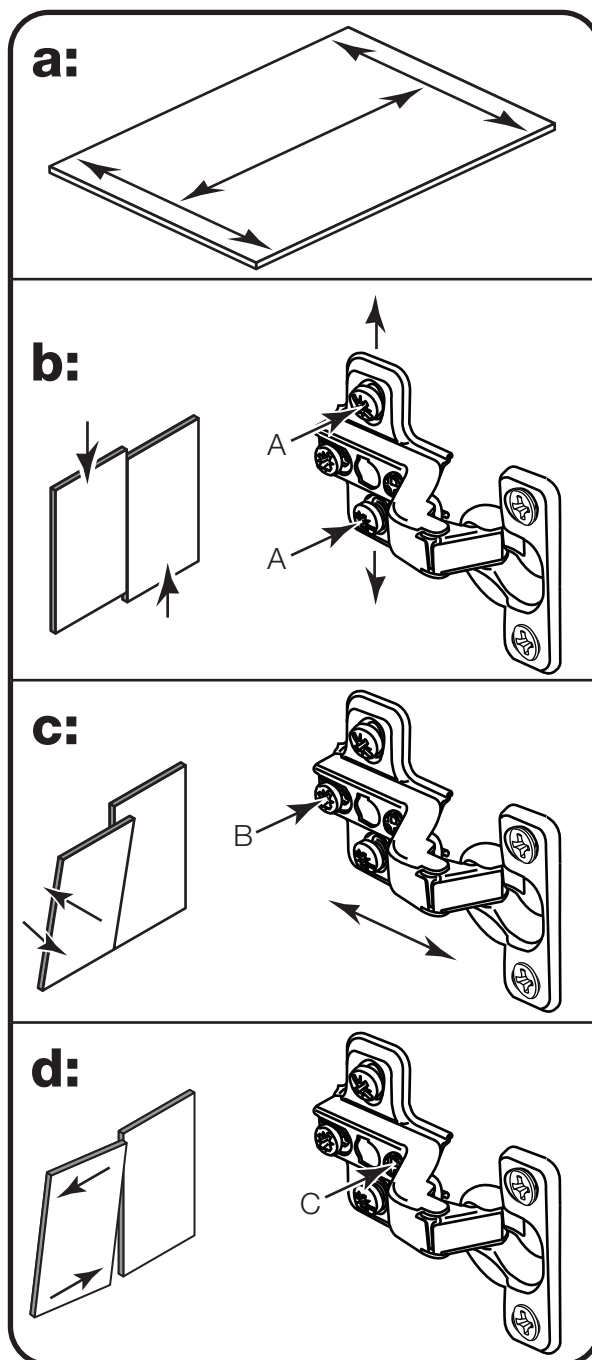
Loosen screws A on hinge plates and move door up or down as required. Retighten screw A.

c: Forward and Back adjustment.

Loosen screw B on hinge plate and move door in or out as required. Retighten screw B.

d: Sideways adjustment.

To move door 'out' loosen screw C. To move door 'in' tighten screw C.



Assembly Instructions

Step 17

Fit the overbalance protector kit

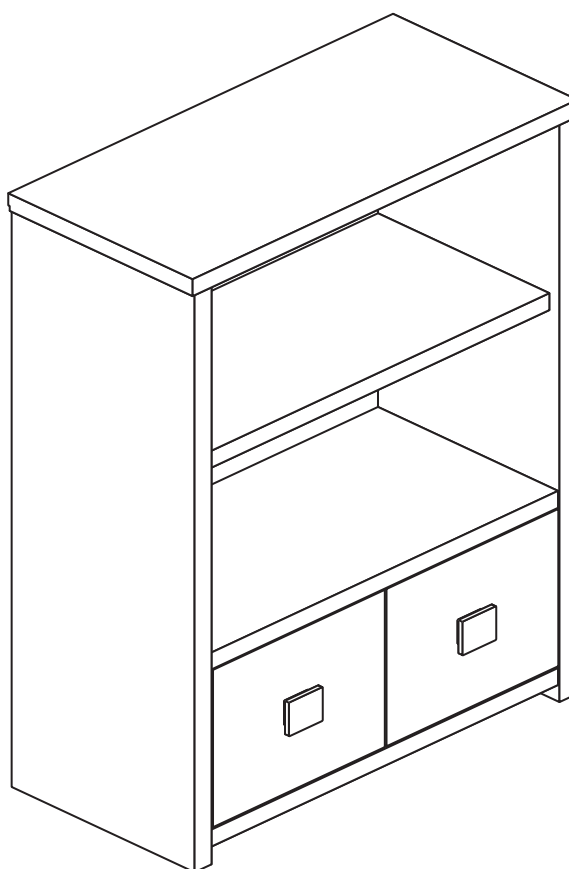
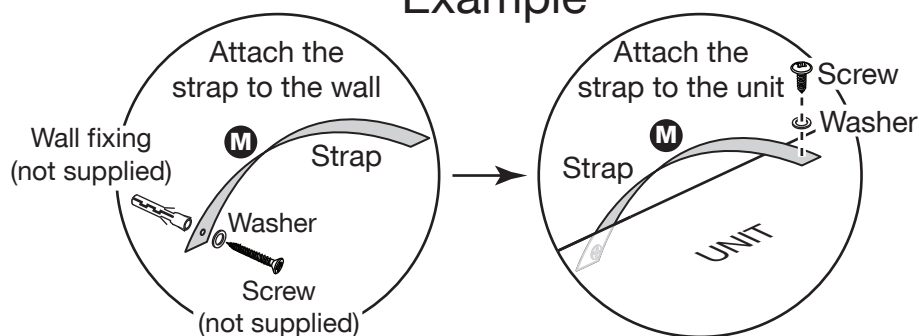
To prevent possible overbalancing we recommend that this unit is secured to a suitable wall by fitting of the overbalance protector kit **M** to the unit, or an alternative fixing method of your choice.

Wall fixings are not supplied as they will need to suit the wall type.

Note: Take care when drilling the wall that you do not drill into any pipes, wires etc. If in doubt, consult an expert.

Assembly is complete

Example



If you need help or have damaged or missing parts, please visit www.argos-support.co.uk or email: Help@ClickSpares.co.uk (quoting your original order number)
Alternatively, call the Spares Helpline on: 0370 112 1928.
For any other queries please contact the Customer Helpline on: 0345 640 2020

