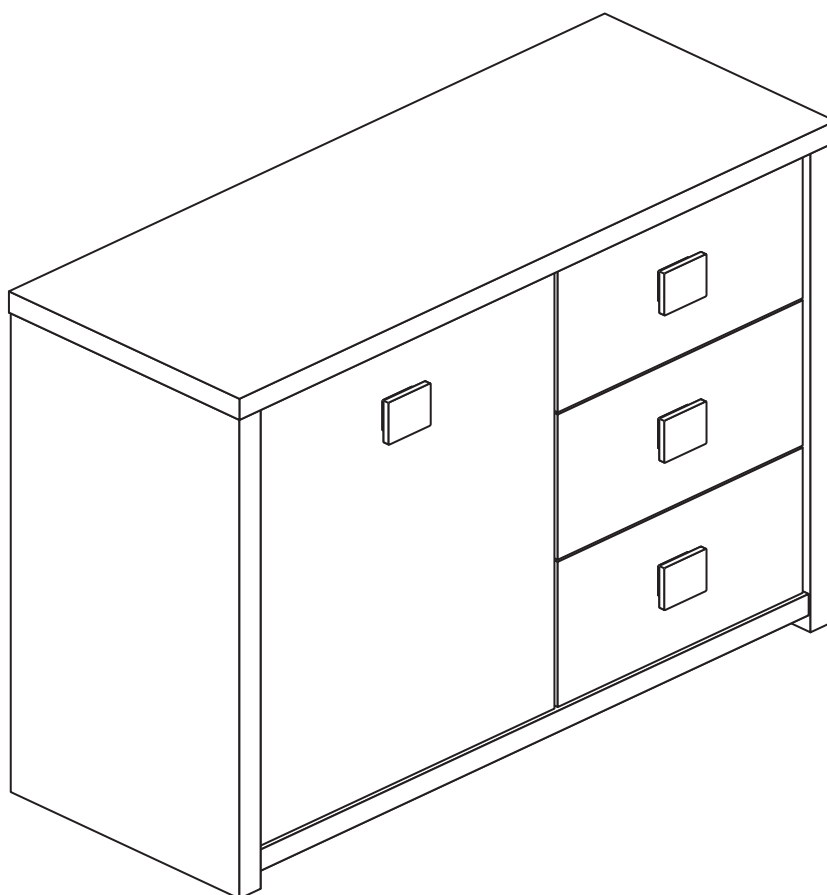


Eden - 3+1 Sideboard

Assembly Instructions - Please keep for future reference

397/8799

411/3508



Dimensions

Width - 98.5cm

Depth - 38.1cm

Height - 83.2cm



**MADE IN
BRITAIN**

Important - Please read these instructions fully before starting assembly

If you need help or have damaged or missing parts, please visit www.argos-support.co.uk or email: Help@ClickSpares.co.uk (quoting your original order number)

Alternatively, call the Spares Helpline on: 0370 112 1928.

For any other queries please contact the Customer Helpline on: 0345 640 2020



Safety and Care Advice

Important - Please read these instructions fully before starting assembly

- **Warning:** This unit weighs approximately 32kgs. Please lift with care.
- Check you have all the components and tools listed on pages 2 and 3.
- Remove all fittings from the plastic bags and separate them into their groups.
- Keep children and animals away from the work area, small parts could choke if swallowed.
- Parts of the assembly will be easier with 2 people.

- Make sure you have enough space to layout the parts before starting.
- Do not stand or put weight on the product, this could cause damage.
- Assemble the item as close to its final position (in the same room) as possible.
- Assemble on a soft level surface to avoid damaging the unit or your floor (use opened out unit carton).



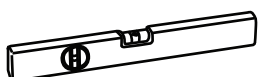
• We do not recommend the use of power drill/drivers **for inserting screws**, as this could damage the unit. Only use hand screwdrivers.

- **Safety note:** It is recommended that this unit is secured to a wall using the overbalance protector kit supplied or, an alternative fixing method of your choice.
- Dispose of all packaging carefully and responsibly.

Care and maintenance

- Only clean using a damp cloth and mild detergent, do not use bleach or abrasive cleaners.
- From time to time check that there are no loose screws on this unit.
- This product should not be discarded with household waste. Take to your local authority waste disposal centre.

Tools required



Spirit level



Cross-head screwdriver



Scissors



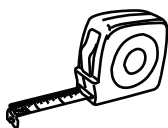
Hammer



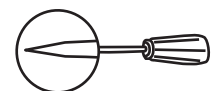
Eye protection (when using a hammer or drill)



Square



Rule



Bradawl

Note: If required the next page can be cut out and used as reference throughout the assembly. Keep this page with these instructions for future reference.

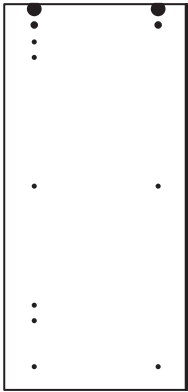
Components - Panels

If you need help or have damaged or missing parts, please visit www.argos-support.co.uk or email: Help@ClickSpares.co.uk (quoting your original order number)

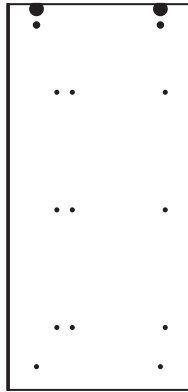
Alternatively, call the Spares Helpline on: 0370 112 1928.

For any other queries please contact the Customer Helpline on: 0345 640 2020

Please check you have all the panels listed below



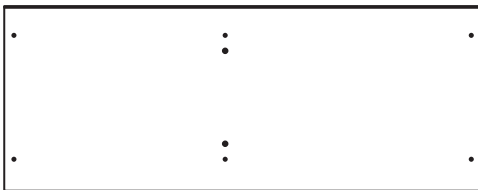
1 Left Side (DF3034)
(79.7 x 37.8cm)



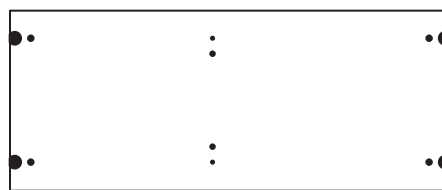
2 Right Side (DF3035)
(79.7 x 37.8cm)



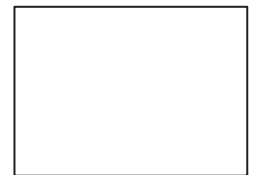
3 Divider (DF1197)
(73.2 x 35cm)



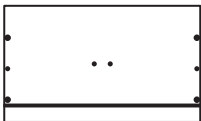
4 Top (DF3036)
(98.5 x 38.1cm)



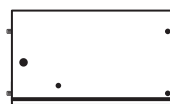
5 Base (DF3037)
(90.9 x 37.2cm)



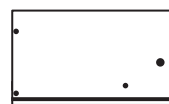
6 Shelf (DF3040)
(48.1 x 34.9cm)



7 Drawer Front (DF3039)
(40.5 x 24cm) x 3



8 Left Drawer Side (W330-195LH)
(33 x 19.5cm) x 3



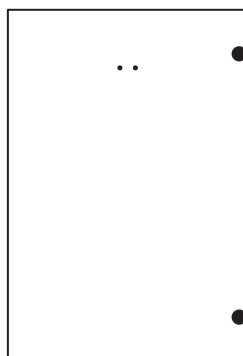
9 Right Drawer Side (W330-195RH)
(33 x 19.5cm) x 3



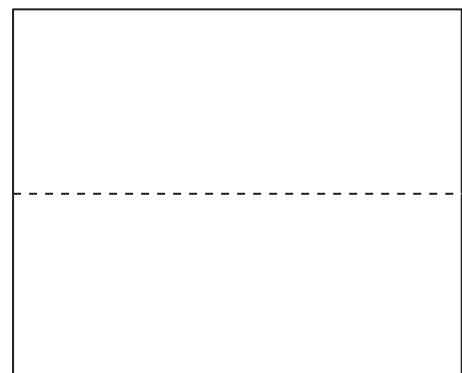
10 Drawer Back (W378-195)
(37.8 x 19.5cm) x 3



11 Drawer Base (T389-327)
(38.9 x 32.7cm) x 3



12 Door (DF3038)
(72.6 x 49.5cm)



13 Back (X927-762)
(92.7 x 76.2cm)



Components - Fittings

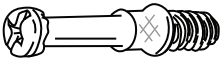










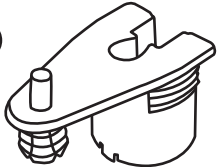
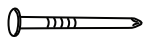

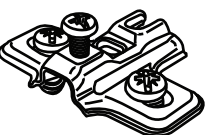
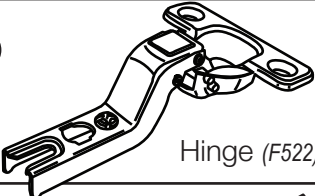
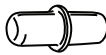
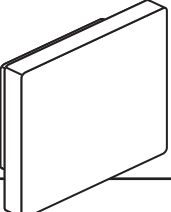
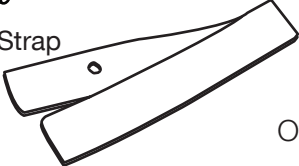


If you need help or have damaged or missing parts, please visit www.argos-support.co.uk or email: Help@ClickSpares.co.uk (quoting your original order number)

Alternatively, call the Spares Helpline on: 0370 112 1928.

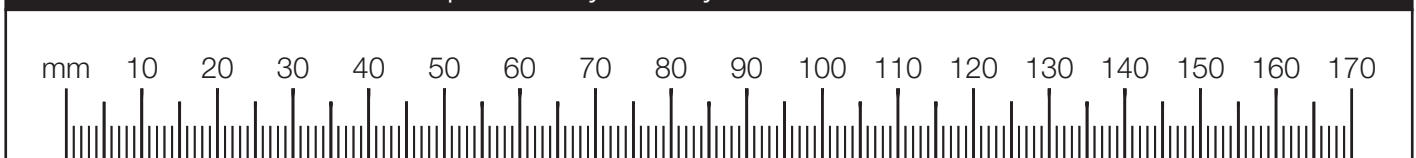
For any other queries please contact the Customer Helpline on: 0345 640 2020

Please check you have all the fittings listed below

Note: The quantities below are the correct amount to complete the assembly. In some cases more fittings may be supplied than are required.

<p>A </p> <p>Metal dowel (F901) x 10</p>	<p>B </p> <p>Large locking nut (F900) x 4</p>	<p>C </p> <p>Small locking nut (F3) x 6</p>
<p>D </p> <p>Wooden dowel (F22) x 4</p>	<p>E </p> <p>Knock-in Peg (F1716Y) x 12</p>	<p>F </p> <p>Wedgex (F639) x 6</p>
<p>G </p> <p>19mm Screw (F461) x 8</p>	<p>H </p> <p>9mm Screw (F74) x 6</p>	<p>I </p> <p>9mm Screw (F73) x 12</p>
<p>J </p> <p>13mm Screw (F63) x 4</p>	<p>K </p> <p>Small metal dowel (F893) x 8</p>	<p>L </p> <p>Hollow core locking nut (F892) x 8</p>
<p>M </p> <p>Nail (F51) x 20</p>	<p>N </p> <p>Drawer runner (F1004) x 6</p>	
<p>O </p> <p>Hinge plate (F523) x 2</p>	<p>P </p> <p>Hinge (F522) x 2</p>	<p>Q </p> <p>Door stop (F110) x 4</p>
<p>R </p> <p>Handle (F414) x 4</p>	<p>S   </p> <p>Strap Screw Washer x 2</p> <p>Overbalance protector kit (F269) x 1</p>	

Ruler - Use this ruler to help correctly identify the screws



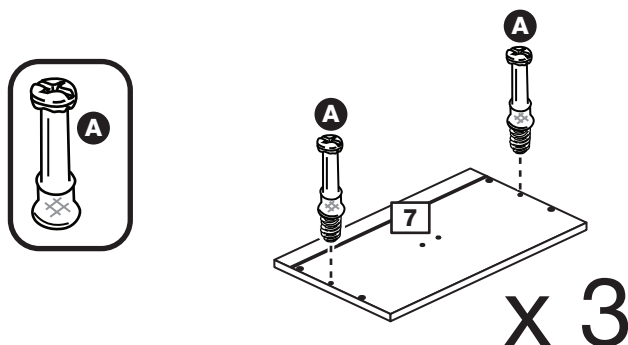
Assembly Instructions

Step 1

Prepare the 3 drawer fronts

Screw 2 metal dowels **A** into each of the drawer fronts **7**.

Note: Tighten the metal dowels up fully against the panels.

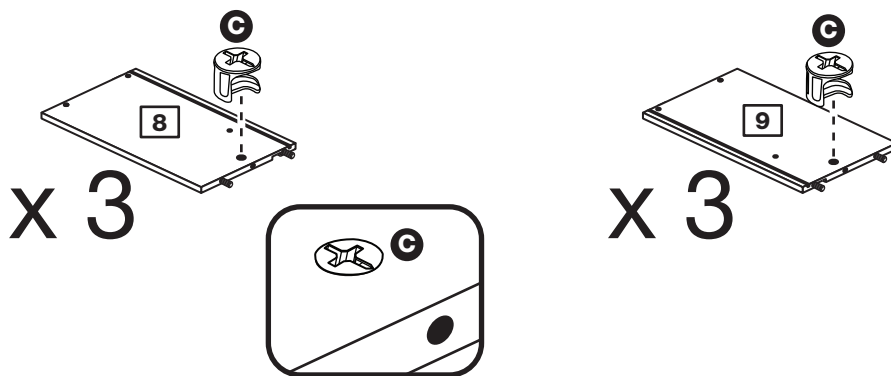


Step 2

Prepare the drawer sides

Insert a small locking nut **C** into the hole shown on the left drawer side **8** and the right drawer side **9**.

Note: The arrow on the locking nut **must** point towards the hole in the edge of the panel.



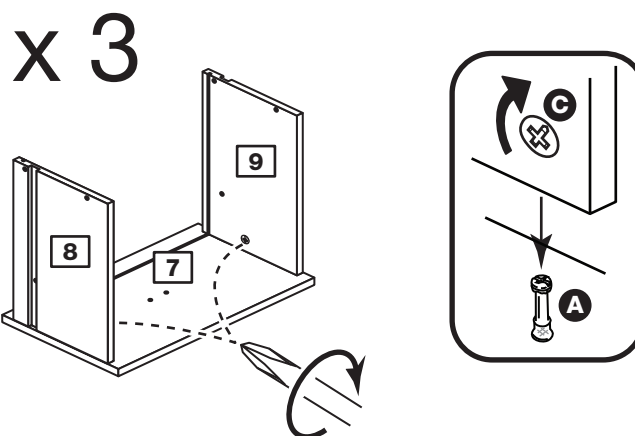
Step 3

Attach the large drawer sides to the large drawer front

Push the left drawer side **8** and right drawer side **9** onto the back of the drawer front **7**.

Turn the small locking nuts **C** on the left drawer side **8** and right drawer side **9**.

Note: Turn the locking nuts **C** clockwise to secure panels - more than 1/2 a turn.

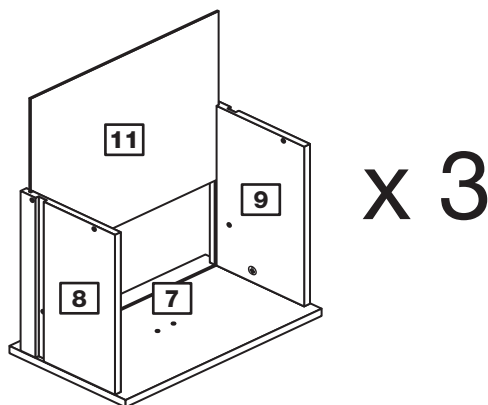


Assembly Instructions

Step 4

Fit the drawer base

Slide the drawer base **11** down the grooves in the large drawer sides **8** and **9** and down into the groove in the large drawer front **7**.

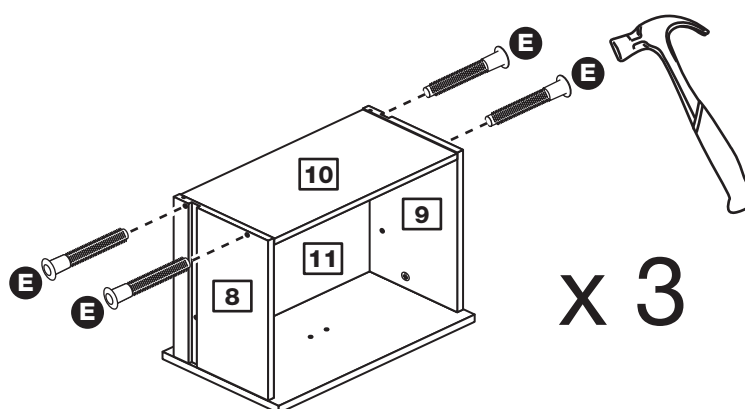


Step 5

Fit the large drawer back

Fit the large drawer back **10** between the large drawer sides **8** and **9**. Make sure that the drawer base **11** fits into the groove in the large drawer back **10**.

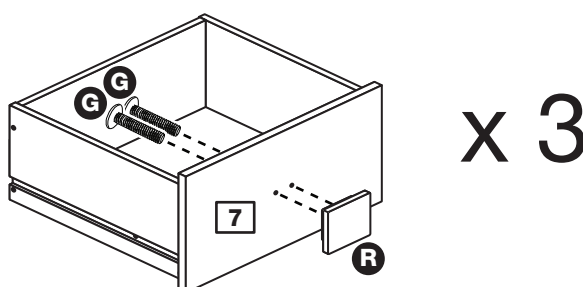
Hold the large drawer back **10** in position and tap the knock-in pegs **E** through the holes in the large drawer sides **8** and **9**.



Step 6

Attach the handles

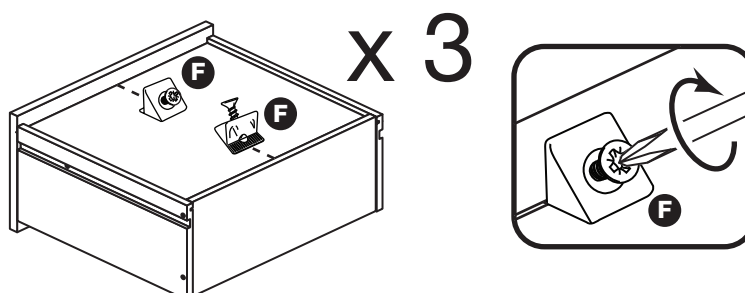
Attach the handle **R** to each drawer front **7** using screws **G**.



Step 7

Fit the wedgifixes

Turn the 3 drawer assemblies over and slide 2 wedgifixes **F** into the front and back grooves, as shown, and tighten up the screws.



Assembly Instructions

Step 8

Prepare the divider

a: Place 3 runners **N** on the divider **3** as shown. Slide back the top of runner and use the 2nd hole from the front to fit the 1st screw **I**.

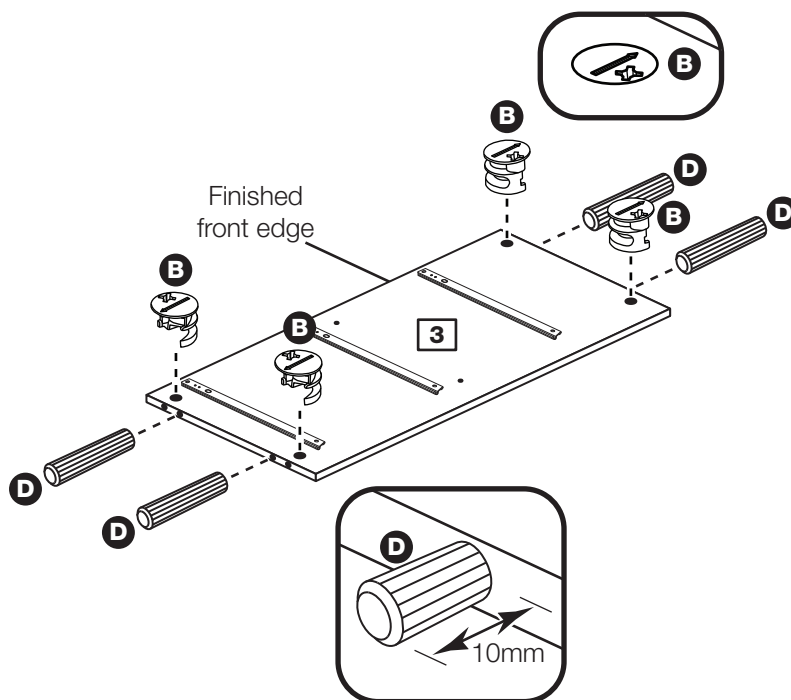
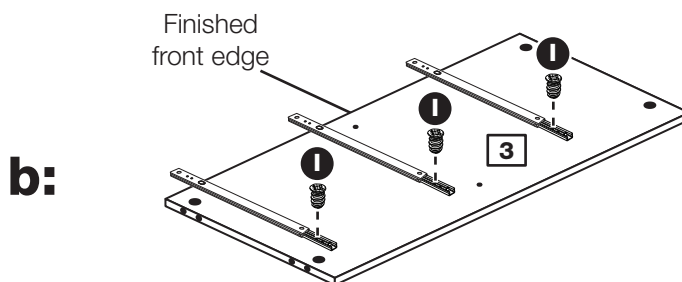
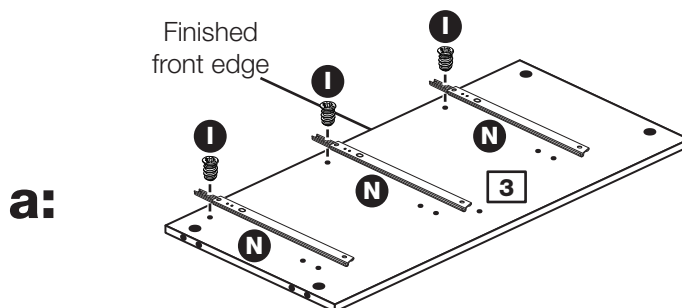
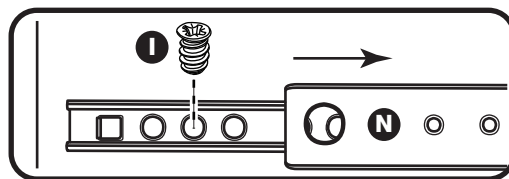
b: Slide the runner **N** back the other way and fit the 2nd screw **I** into the corresponding hole in the divider **3**.

c: Insert 4 large locking nuts **B** into the divider **3**.

Note: The arrow on the locking nuts **must** point towards the hole in the edge of the panel.

Tap 4 wooden dowels **D** into the divider **3**.

Note: Wooden dowels **must not** stick out from the edge by more than 10mm or they may damage other panels.



Assembly Instructions

Step 9

Prepare the base

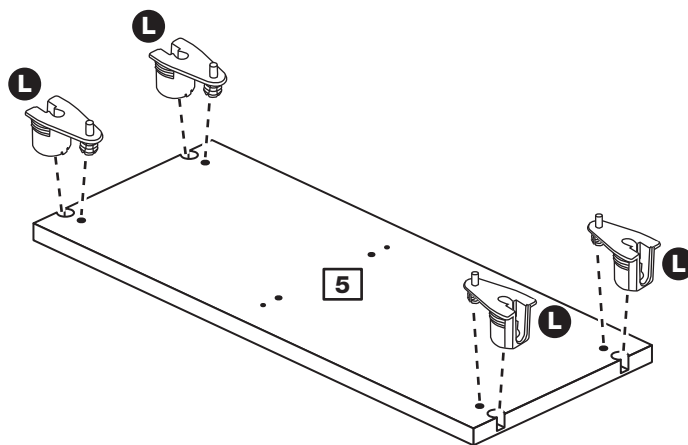
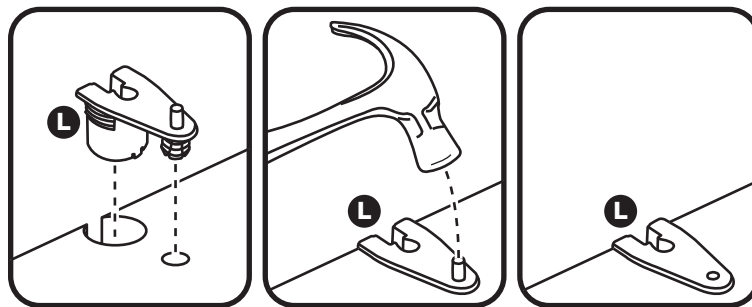
Push 4 hollow core locking nuts **L** into the base **5**, making sure that they are flush against the panel's surface.

Using a hammer, tap in the pin on the hollow core locking nut **L**.

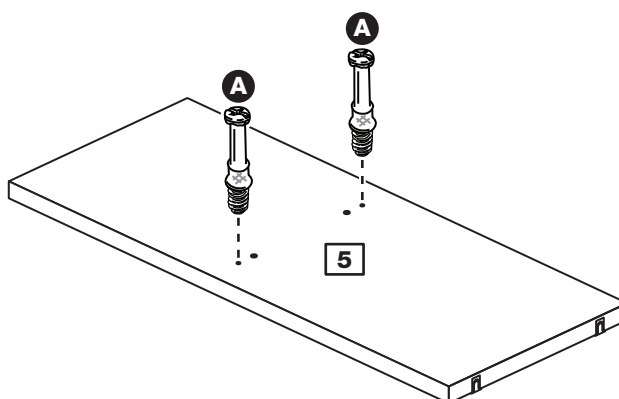
Note: The pin should be tapped in flush with the top surface of the hollow core locking nut **L**.

Turn the base over

Screw 2 metal dowels **A** into the base **5**.



Turn the base over



Assembly Instructions

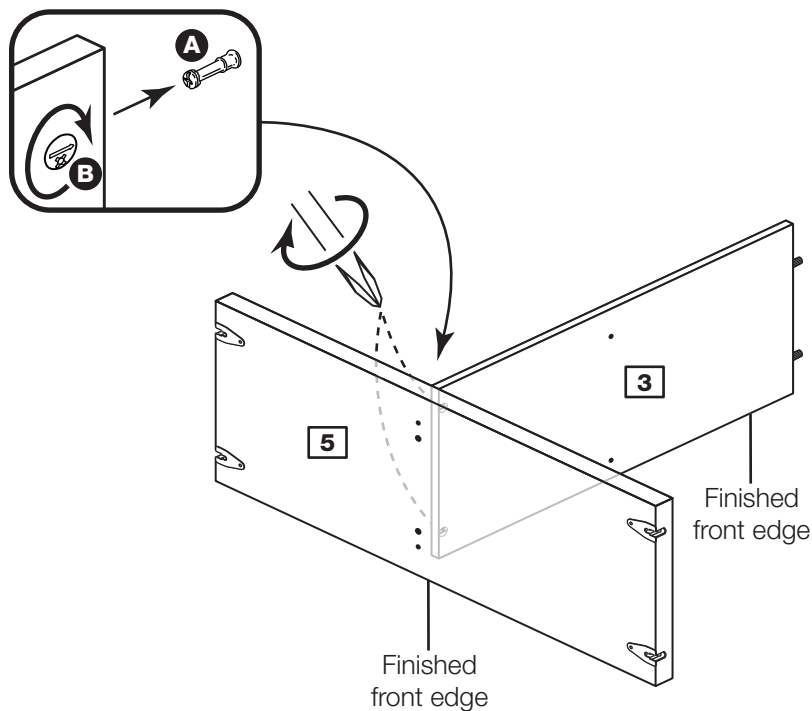
Step 10

Fit the divider to the base

Push the divider **3** onto the base **5**.

Use a screwdriver to tighten the 2 large locking nuts **B** fitted to the divider **3**.

Note: Turn the large locking nuts **B** as far as they will go - more than 1/2 a turn.



Step 11

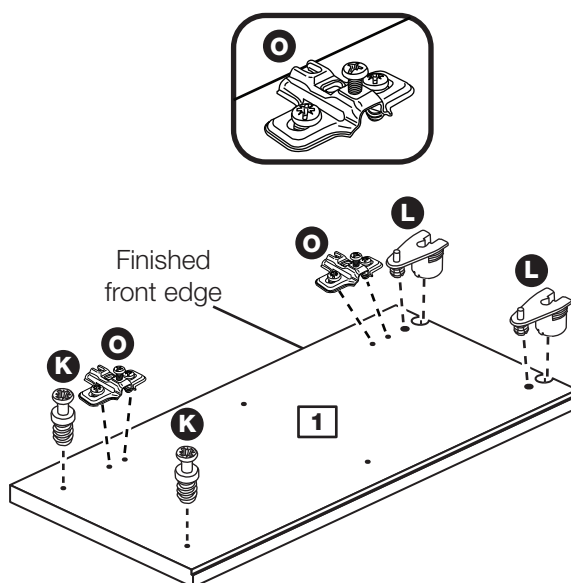
Prepare the left side

Screw 2 small metal dowels **K** into the left side **1**.

Push 2 hollow core locking nuts **L** into the left side **1**, making sure that they are flush against the panel's surface.

Using a hammer, tap in the pin on the hollow core locking nut **L**.

Fit 2 hinge plates **O** onto the left side **1**, making sure that the slot is facing towards the finished front edge.



Assembly Instructions

Step 12

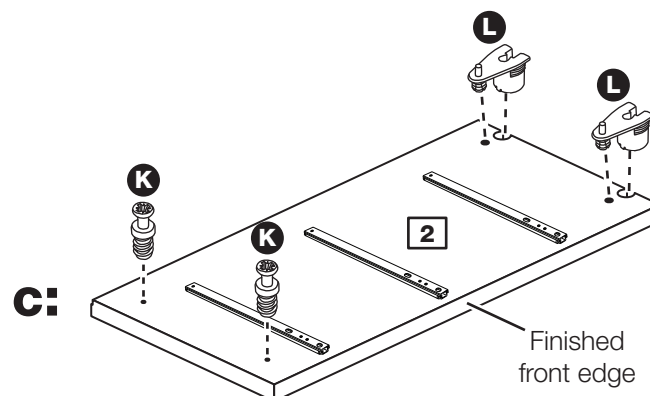
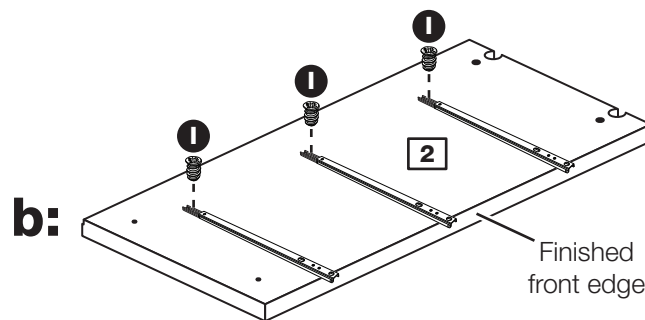
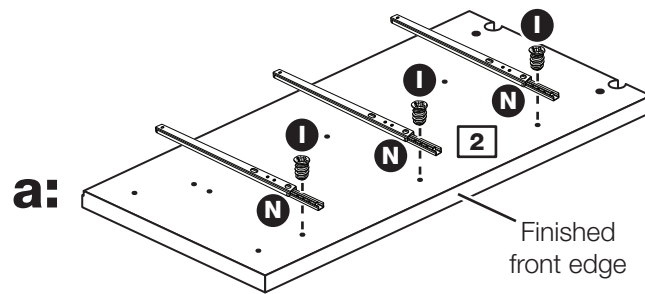
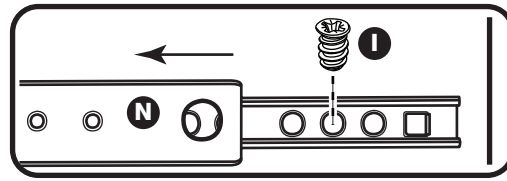
Prepare the right side

a: Place 3 runners **N** on the right side **2** as shown. Slide back the top of runner and use the 2nd hole from the front to fit the 1st screw **I**.

b: Slide the runner **N** back the other way and fit the 2nd screw **I** into the corresponding hole in the right side **2**.

c: Screw 2 small metal dowels **K** into the right side **2**.

Push 2 hollow core locking nuts **L** into the right side **2**, making sure that they are flush against the panel's surface. Using a hammer, tap in the pin on the hollow core locking nut **L**.



Assembly Instructions

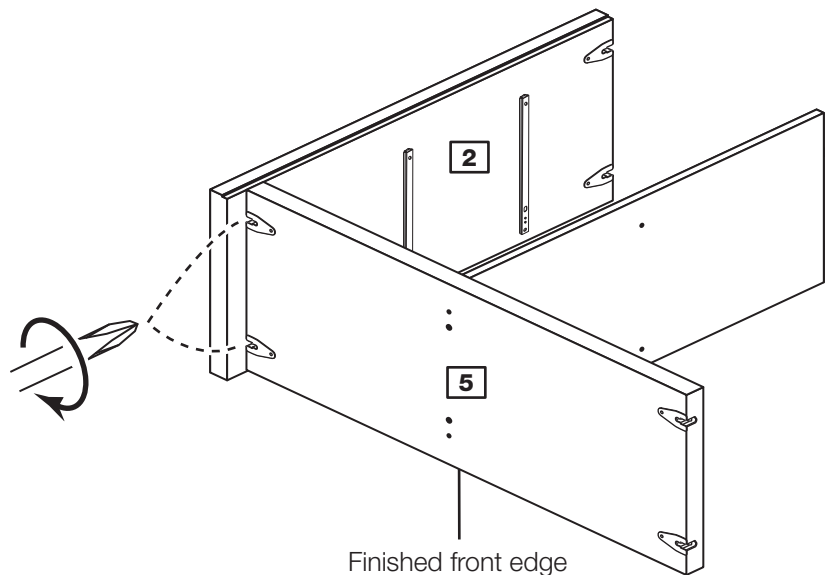
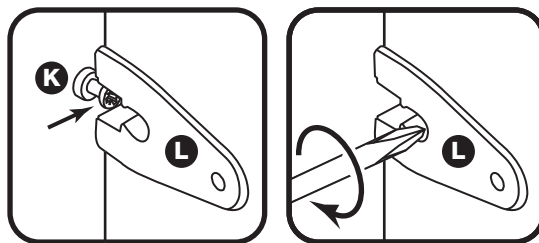
Step 13

Fit the base to the right end

Push the base **5** onto the right end **2**.

The 2 small metal dowels **K** fitted to the right end **2** must slide into the top of the 2 hollow core locking nuts **L** fitted to the base **5**.

Insert a screwdriver into the 2 hollow core locking nuts **L** and turn the nuts inside as far as they will go.

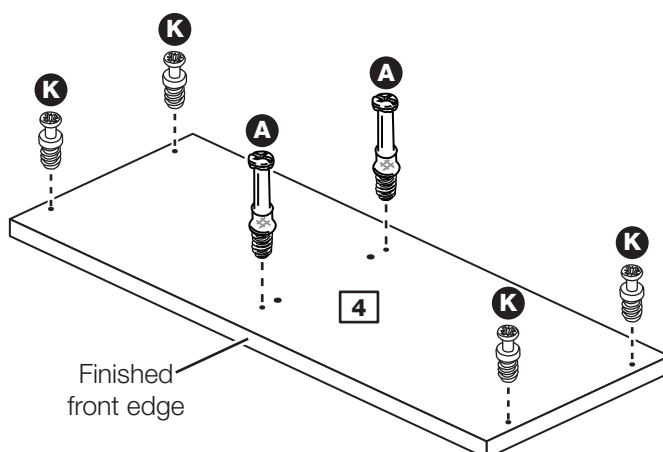


Step 14

Prepare the top

Screw 2 metal dowels **A** into the top **4**.

Screw 4 small metal dowels **K** into the top **4**.



Assembly Instructions

Step 15

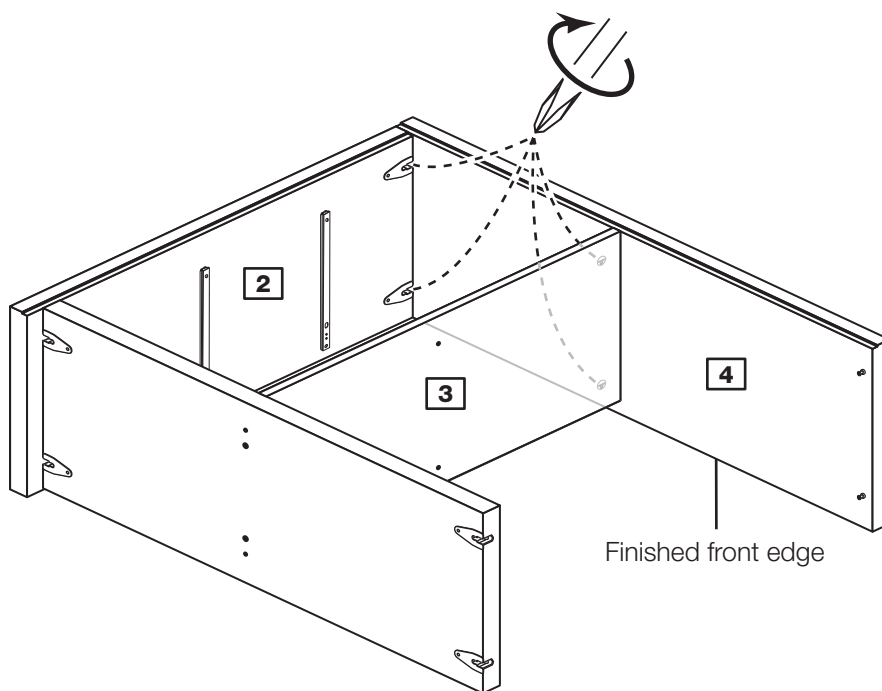
Fit the top

Push the top **4** onto the right end **2** and the divider **3**.

The 2 hollow core locking nuts **L** fitted to the right end **2** must slide over the 2 small metal dowels **K** fitted to the top **4**.

Insert a screwdriver into the 2 hollow core locking nuts **L** and turn the nuts inside as far as they will go.

Use a screwdriver to tighten the 2 large locking nuts **B** fitted to the divider **3**.

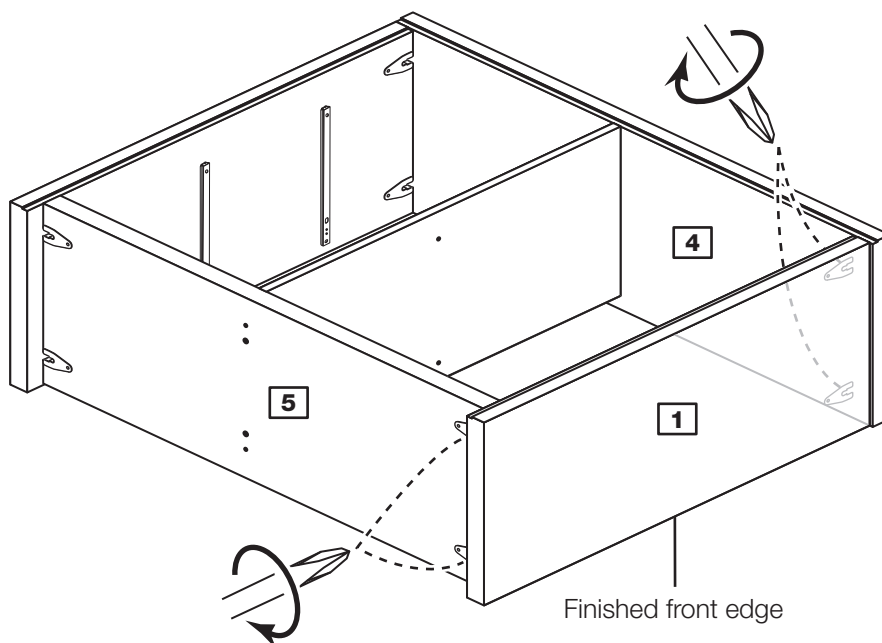


Step 16

Fit the left side

Push the left side **1** onto the top **4** and the base **5**.

Insert a screwdriver into the 4 hollow core locking nuts **L** and turn the nuts inside as far as they will go.



Assembly Instructions

Step 17

Fit the back

a: Square up the unit by making sure that measurement **x to x** equals **y to y**.

b: Place the back **13** onto the unit.

Nail **M** around the outside edges of the back **13**.

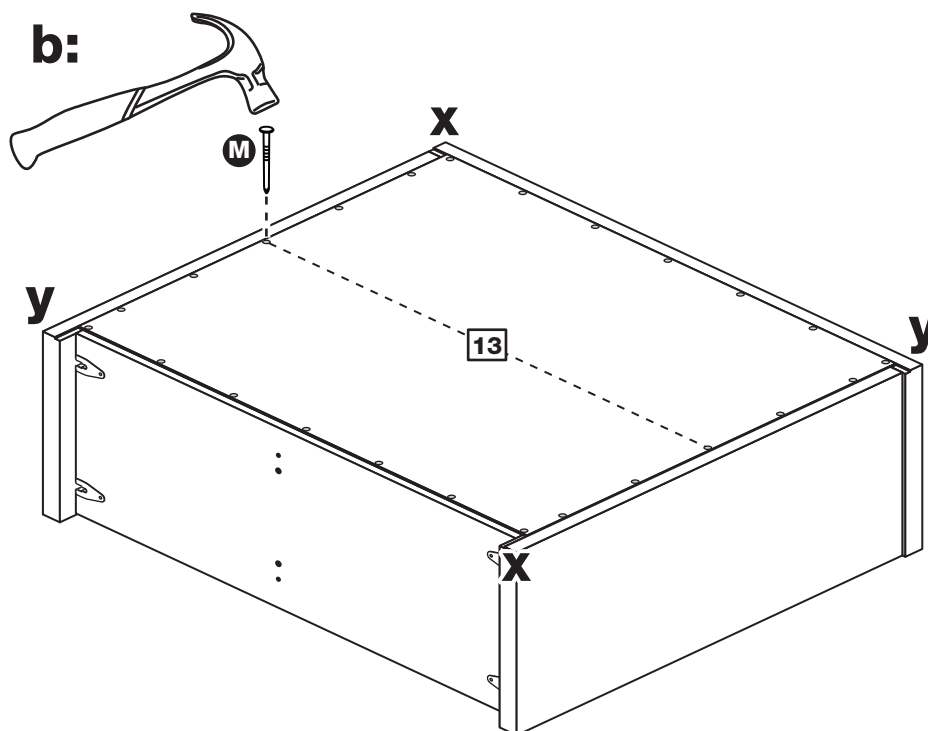
Note: Nails should be spaced about 150mm apart.

Stand the unit up for the next step.



Warning: The unit is heavy. Lift with care.

a: The measurement from top corner X to bottom corner X must be equal to the measurement from top corner Y to bottom corner Y



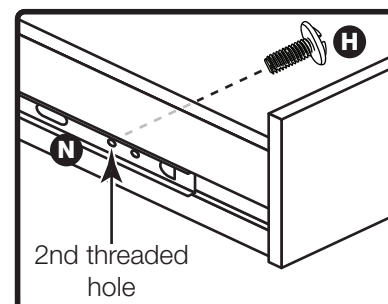
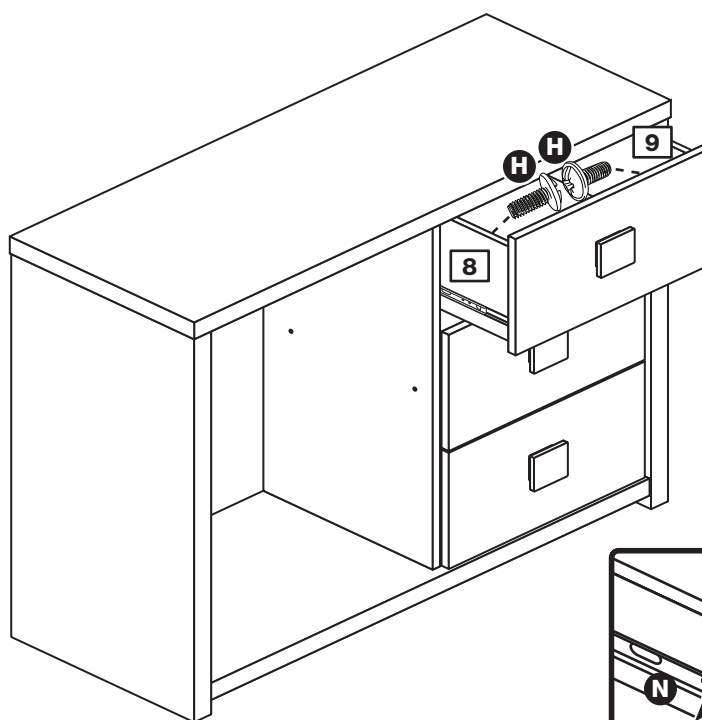
Step 18

Fit the drawers

Starting with the bottom drawer, slide both the runners **N** forward and locate the drawer sides **8** and **9** between them, lining up the holes in the drawer wrap with the 2nd 'threaded' holes in the runners **N**.

Working from the inside of the drawer, insert 2 screws **H** through the drawer sides and out into the 2nd threaded hole in the runner.

Note: Do not overtighten the screws **H**. If they catch on the runner you may need to loosen them slightly.



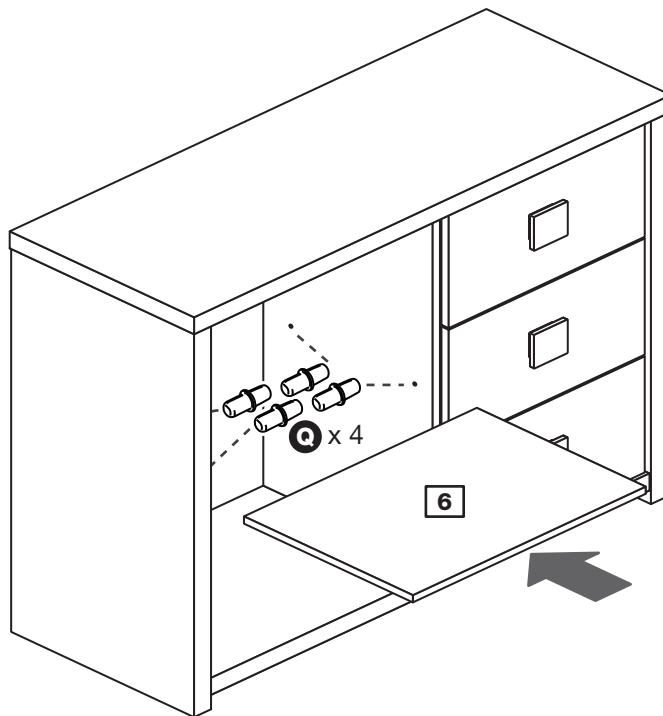
Assembly Instructions

Step 19

Fit the shelf

Insert 4 shelf studs **Q**.

Lower the shelf **6** down onto the shelf studs **Q**.



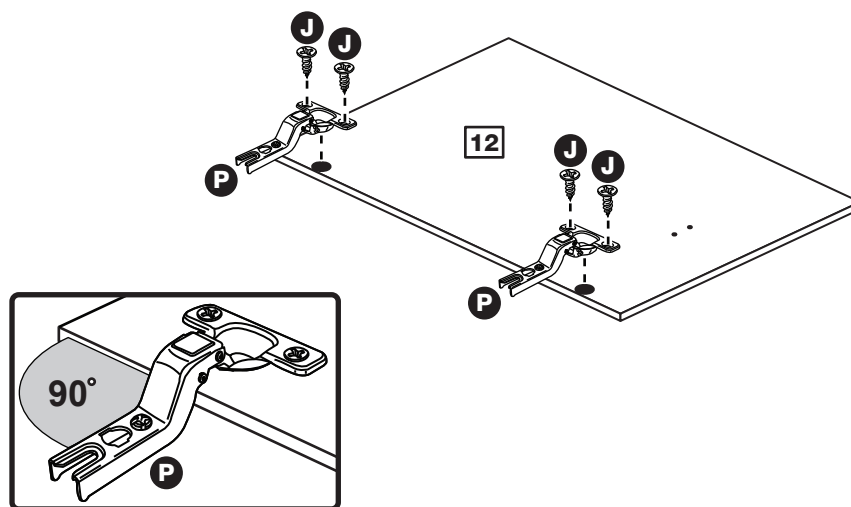
Step 20

Prepare the door

Push fit 2 hinges **P** into the door **12**.

Secure each hinge with 2 screws **J**.

Note: Before securing with the screws, make sure that the hinges are positioned at 90 degrees with the edge of the door.



Assembly Instructions

Step 21

Fit door and handle

Note: The easiest way to attach the door **12** is to fit the top hinge first, then align and fit the bottom hinge.

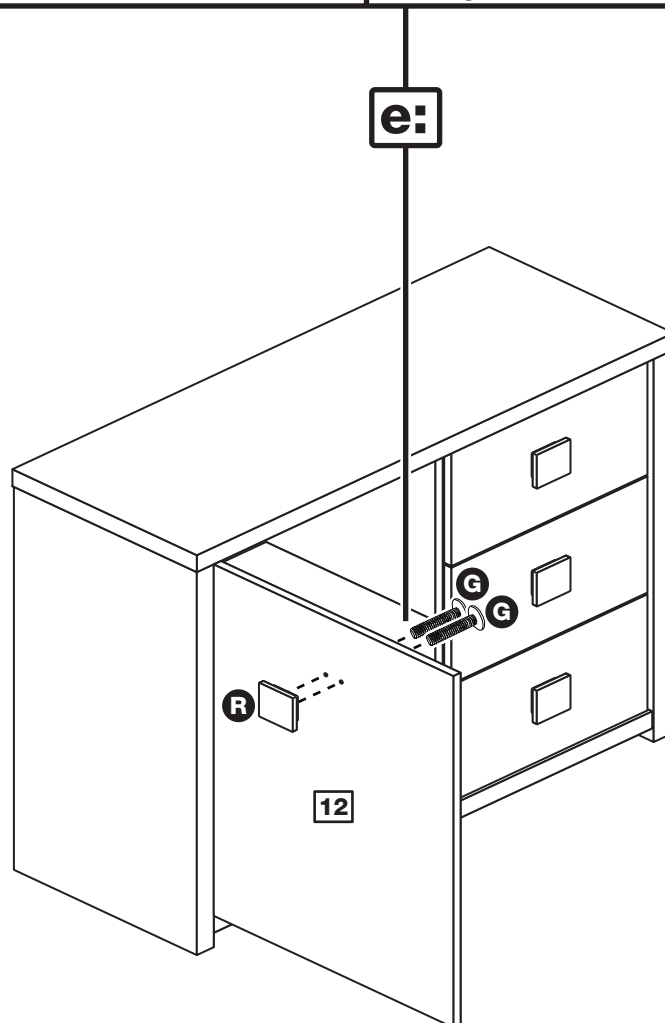
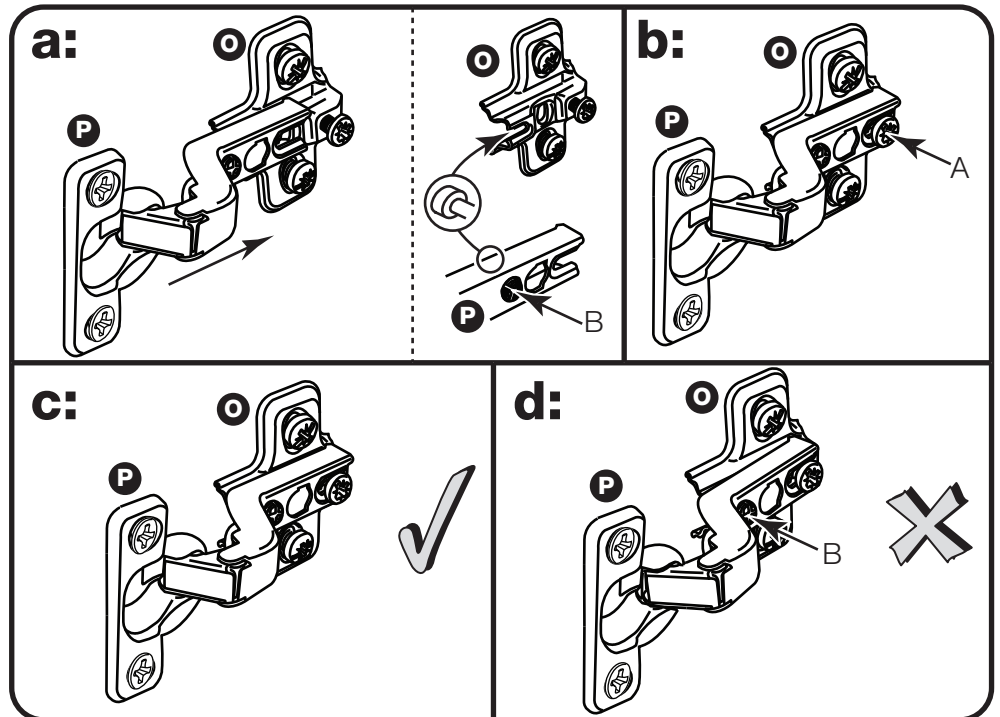
a: Push the hinge **P** onto the front part of the hinge plate **O**.

b: Keep the hinge **P** FLAT against the hinge plate **O** as you slide it across as far as it will go. Tighten screw A.

c: The hinge **P** must be flat against the hinge plate **O** prior to any adjustment.

d: The hinge **P** must NOT be AT AN ANGLE to the hinge plate **O** when assembled. This would indicate that the recess at the bottom of screw B had not located in the slot in the hinge plate and the hinge would not be secure. Remove the hinge from the hinge plate and then re-assemble being careful to follow instructions a-c.

e: Attach a handle **R** to the door using screws **G**.



Assembly Instructions

Step 22

Adjust the door if needed

a: Before adjusting the door, use a spirit level to check the top (or base) of the unit is level, front-to-back and side-to-side in the 3 positions shown. Use suitable packing pieces (not supplied) to make the unit level BEFORE making any adjustment to the hinges, as shown.

b: Height adjustment.

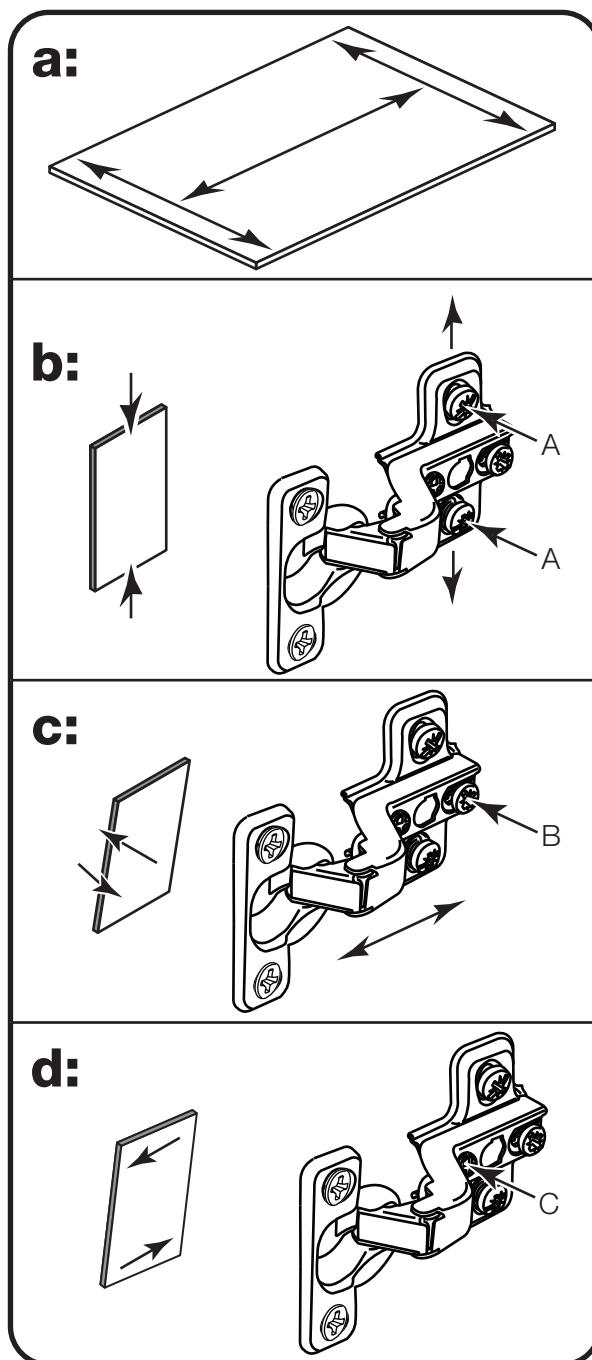
Loosen screws A on hinge plates and move door up or down as required. Retighten screw A.

c: Forward and Back adjustment.

Loosen screw B on hinge plate and move door in or out as required. Retighten screw B.

d: Sideways adjustment.

To move door 'out' loosen screw C. To move door 'in' tighten screw C.



Assembly Instructions

Step 23

Fit the overbalance protector kit

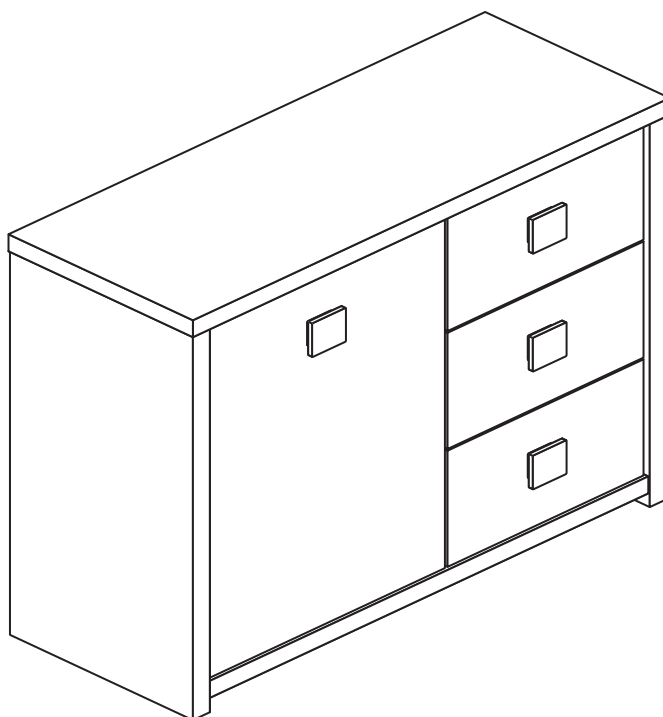
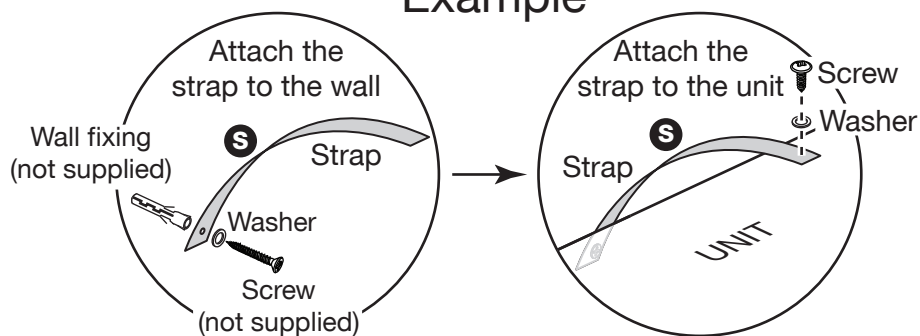
To prevent possible overbalancing we recommend that this unit is secured to a suitable wall by fitting of the overbalance protector kit **S** to the unit, or an alternative fixing method of your choice.

Wall fixings are not supplied as they will need to suit the wall type.

Note: Take care when drilling the wall that you do not drill into any pipes, wires etc. If in doubt, consult an expert.

Assembly is complete

Example



If you need help or have damaged or missing parts, please visit www.argos-support.co.uk or email: Help@ClickSpares.co.uk (quoting your original order number)
Alternatively, call the Spares Helpline on: 0370 112 1928.
For any other queries please contact the Customer Helpline on: 0345 640 2020

