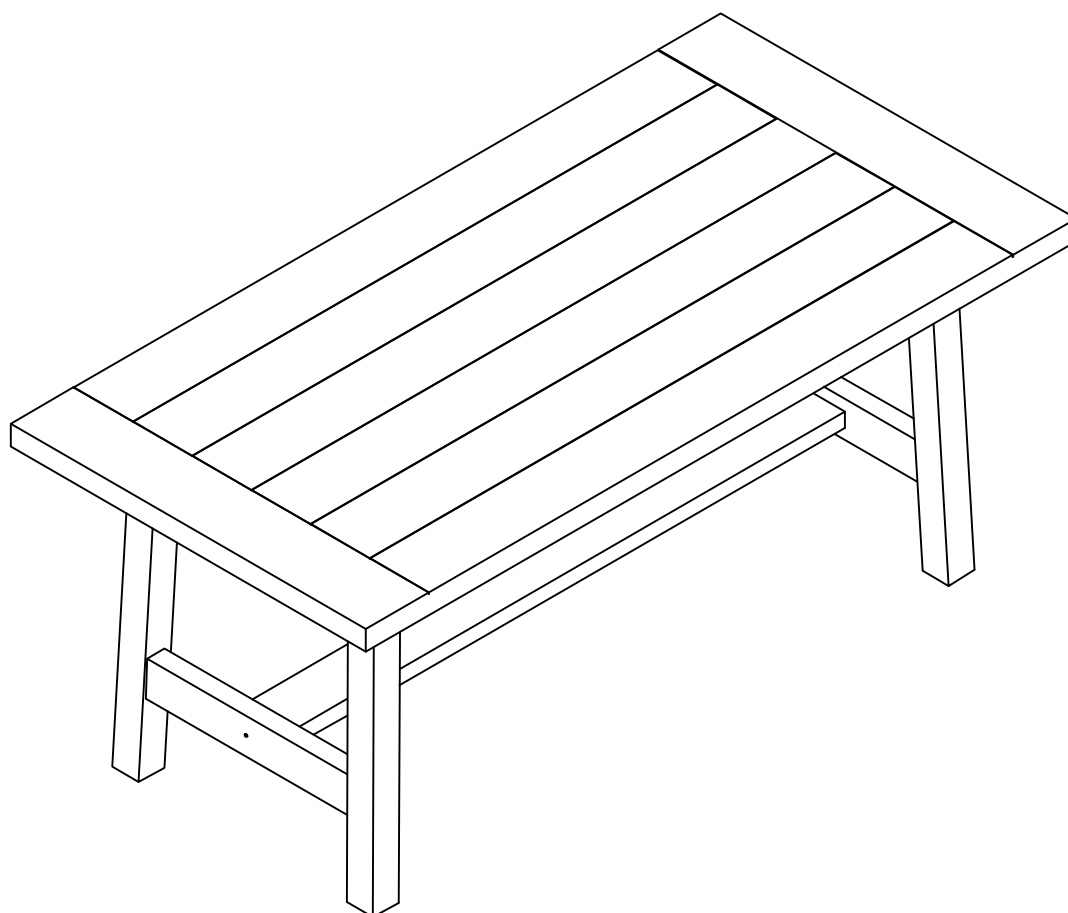


Trestle Coffee Table

Assembly Instructions - Please keep for future reference

411/3278



Dimensions

Width - 50cm
Depth - 100cm
Height - 45cm

Important - Please read these instructions fully before starting assembly

If you need help or have damaged or missing parts, call the **Customer Helpline: 0345 6400 800**



Safety and Care Advice

Important – Please read these instructions fully before starting assembly

Check you have all the components and tools listed on pages 2 and 3.

Remove all fittings from the plastic bags and separate them into their groups.

Keep children and animals away from the work area, small parts could choke if swallowed. Make sure you have enough space to layout the parts before starting.

Assemble the item as close to its final position (in the same room) as possible.

Assemble on a soft level surface to avoid damaging the unit or your floor.

Assembly requires 2 people.

Do not fully tighten bolts until the whole table is assembled.

Do not overtighten the nuts to avoid causing damage to the threads.



We do not recommend the use of power drill/drivers **for inserting screws**,

as this could damage the unit. Only use hand screwdrivers and Allen keys.

Dispose of all packaging carefully and responsibly.

Solid wood / Real wood veneers

This product has been finished using natural materials. As a living material, you may notice some variation in the grain and colour shade between the different components.

Unlike a synthetic or man-made material which has a uniform finish, a feature of natural wood is its variation in grain and colour. We wish to reassure you that this is quite normal and is not the result of any manufacturing fault.

Where sheets of wood are joined together, a line may be detected. Again, this is normal and is not an imperfection.

The natural finish should be cared for by the periodic application of a good quality 'wax' based domestic furniture polish (Not silicone!!). Occasional / small spills should be removed immediately using a damp cloth.

Do not allow hot articles to come into contact with the surface, as damage will occur!

Care and maintenance

Only clean using a damp cloth and mild detergent, do not use bleach or abrasive cleaners.

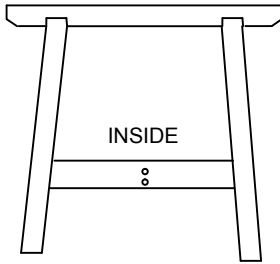
From time to time check that there are no loose screws on this unit.

This product should not be discarded with household waste. Take to your local authority waste disposal centre.

Components - Parts

If you have damaged or missing components.
call the **Customer Helpline**: 0345 6400 800

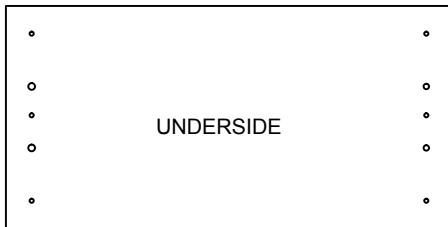
Please check you have all the parts listed below



1 Leg x 2
(450x425x40mm)



2 Support Rail x 1
(35x35x790mm)







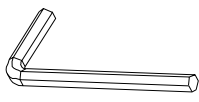
3 Table Top x 1
(1000x500x25mm)

Components - Fittings

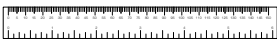
If you have damaged or missing components, call the **Customer Helpline: 0345 6400 800**

Please check you have all the fittings listed below

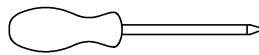
Note: The quantities below are the correct amount to complete the assembly. In some cases more fittings may be supplied than are required.

<p>A</p>  <p>M10x13mm Female Nut x2</p>	<p>B</p>  <p>M6x50mm Allen Screw x2</p>	<p>C</p>  <p>M8x30mm Wooden Dowel x6</p>
<p>D</p>  <p>M6x40mm Allen Screw x6</p>	<p>E</p>  <p>Allen Key x1</p>	

Tools required

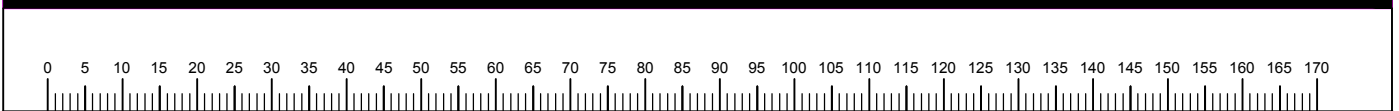


Ruler/tape measure



Flat screwdriver (medium)

Ruler - Use this ruler to help correctly identify the screws



Assembly Instructions

Step 1

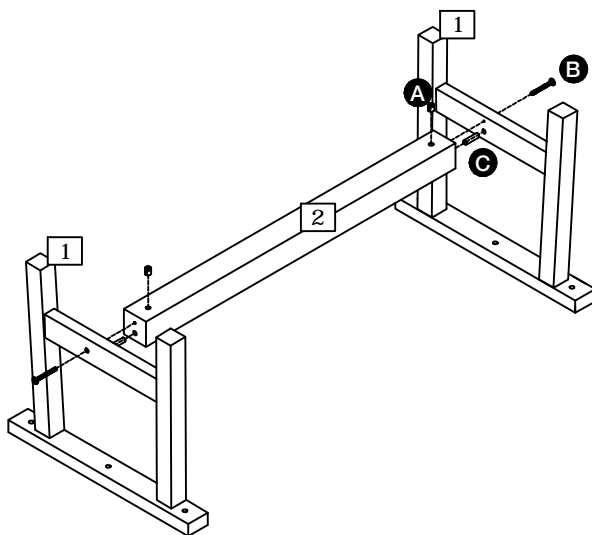
Preparing tops

Insert wood dowels **C** into the holes on the inside of leg **1** as shown.

With help, locate support rail **2** in between the legs and secure using fixing **A** and **B** as shown.

Note: Ensure the holes for nuts **A** will be on the underside once assembly is completed.

Do not fully tighten the fixings at this stage.



Step 2

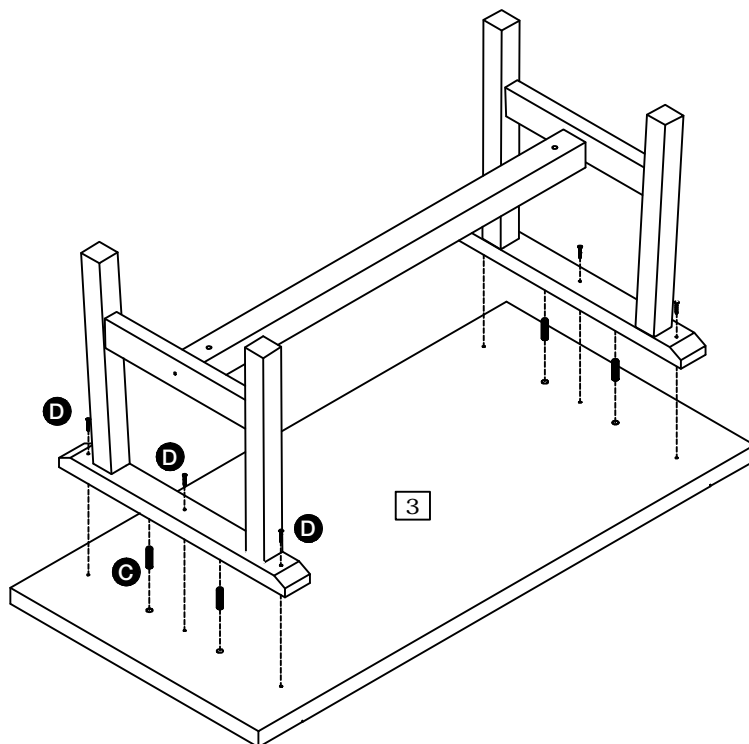
Preparing tops

Place table top **3** upside down onto a clean flat surface with the fixing holes facing up.

Insert wood dowels **C** into the holes in top **3** as shown.

With help, locate the leg frame into position and secure using screws **D**.

Once all fixings are in position, proceed to fully tighten all screws.



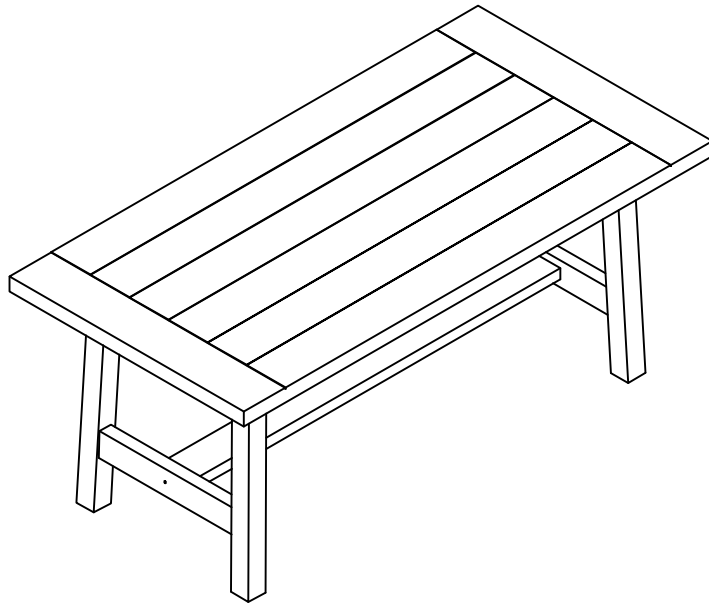
Assembly Instructions

Step 3

With help, turn the table upright.



Warning: The table is heavy. Lift with care.



Assembly is complete.

If you need help or have damaged or missing parts, call the **Customer Helpline: 0345 6400 800**
Home Retail Group. 489-499 Avebury Boulevard. Saxon Gate West. Central Milton Keynes. MK9 2NW