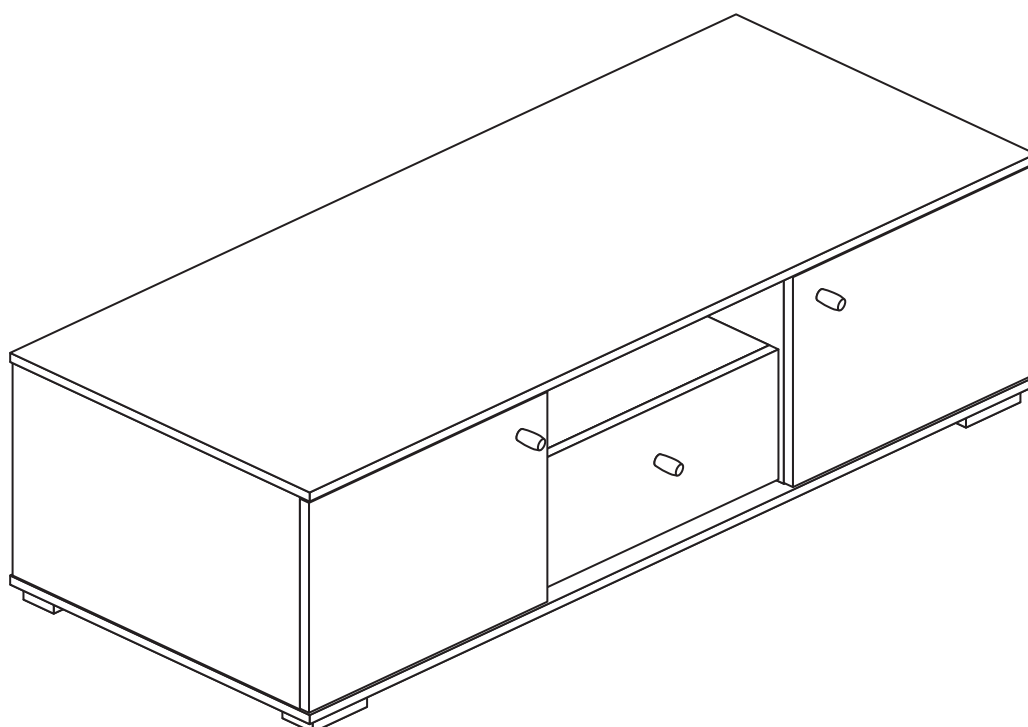


# Montana - Coffee Table

Assembly Instructions - Please keep for future reference

395/7370

408/9474



## Dimensions

Width - 120cm

Depth - 49.5cm

Height - 41cm



**MADE IN  
BRITAIN**

**Important** - Please read these instructions fully before starting assembly

If you need help or have damaged or missing parts, call the **Customer Helpline: 03456 400800**



# Safety and Care Advice

**Important - Please read these instructions fully before starting assembly**

- **Warning:** This unit weighs approximately 35kgs. Please lift with care.

- Check you have all the components and tools listed on pages 2 and 3.

- Remove all fittings from the plastic bags and separate them into their groups.

- Keep children and animals away from the work area, small parts could choke if swallowed.

- Parts of the assembly will be easier with 2 people.

- Make sure you have enough space to layout the parts before starting.

- Do not stand or put weight on the product, this could cause damage.

- Assemble the item as close to its final position (in the same room) as possible.

- Assemble on a soft level surface to avoid damaging the unit or your floor (use opened out unit carton).



- We do not recommend the use of power drill/drivers **for inserting screws**, as this could damage the unit. Only use hand screwdrivers.

- **Safety note:** If there is any chance of this unit being pulled over by children etc. it is recommended that the unit is secured to a wall using suitable fixings (not supplied).

- Dispose of all packaging carefully and responsibly.

## Care and maintenance

- Only clean using a damp cloth and mild detergent, do not use bleach or abrasive cleaners.

- From time to time check that there are no loose screws on this unit.

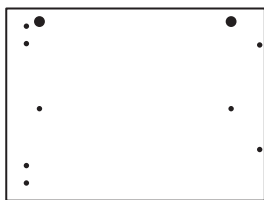
- This product should not be discarded with household waste. Take to your local authority waste disposal centre.

**Note:** If required the next page can be cut out and used as reference throughout the assembly. Keep this page with these instructions for future reference.

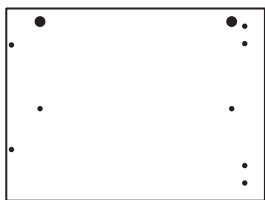
# Components - Panels

If you have damaged or missing components, call the **Customer Helpline: 03456 400800** quoting the reference numbers below

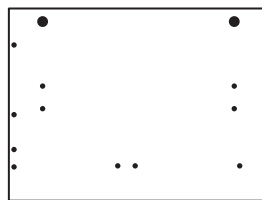
Please check you have all the panels listed below



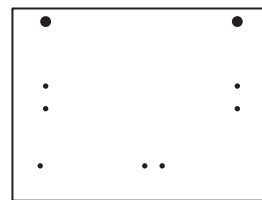
**1** Left End (DF3784)  
(353 x 475mm)



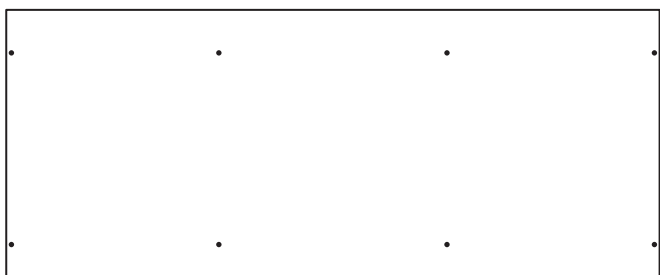
**2** Right End (DF3791)  
(353 x 475mm)



**3** Left Divider (DF3787)  
(353 x 475mm)



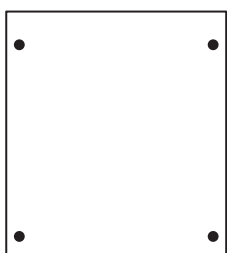
**4** Right Divider (DF3792)  
(353 x 475mm)



**5** Top (DF3795)  
(1200 x 495mm)



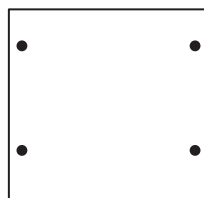
**6** Base (DF3796)  
(1200 x 495mm)



**7** Fixed Shelf (DF3793)  
(404 x 450mm)



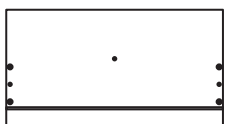
**8** Loose Shelf (DF3788)  
(366 x 456mm) x 2



**9** Large Back (DF3524)  
(366 x 353mm) x 2



**10** Low Back (DF3797)  
(404 x 203mm)



**11** Drawer Front (DF3794)  
(398 x 215mm)



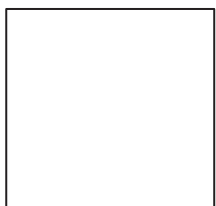
**12** Left Drawer Side (W370-124LH)  
(370 x 124mm)



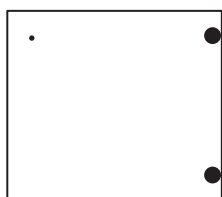
**13** Right Drawer Side (W370-124RH)  
(370 x 124mm)



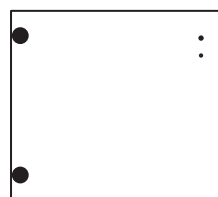
**14** Drawer Back (W370-124)  
(370 x 124mm)



**15** Drawer Base (T381-367)  
(381 x 367mm)



**16** Left Door (DF3521)  
(347 x 394mm)



**17** Right Door (DF3947)  
(347 x 394mm)

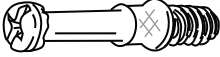












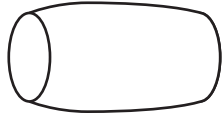
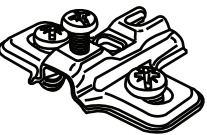
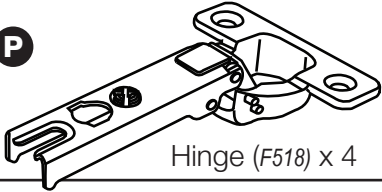
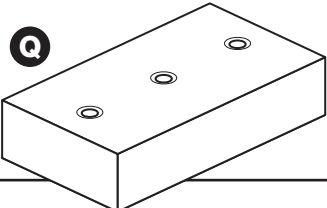


# Components - Fittings

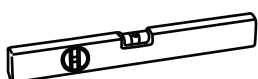
If you have damaged or missing components, call the **Customer Helpline: 03456 400800** quoting the reference numbers below

Please check you have all the fittings listed below

**Note:** The quantities below are the correct amount to complete the assembly. In some cases more fittings may be supplied than are required.

<p><b>A</b> </p> <p>Metal dowel (F901) x 26</p>	<p><b>B</b> </p> <p>Large locking nut (F900) x 24</p>	<p><b>C</b> </p> <p>Small locking nut (F3) x 2</p>
<p><b>D</b> </p> <p>Knock-in Peg (F171GY) x 4</p>	<p><b>E</b> </p> <p>Shelf stud (F110) x 8</p>	<p><b>F</b> </p> <p>40mm Screw (F910) x 8</p>
<p><b>G</b> </p> <p>38mm Screw (F81) x 10</p>	<p><b>H</b> </p> <p>19mm Screw (F461) x 3</p>	<p><b>I</b> </p> <p>13mm Screw (F63) x 8</p>
<p><b>J</b> </p> <p>9mm Screw (F73) x 4</p>	<p><b>K</b> </p> <p>9mm Screw (F74) x 2</p>	<p><b>L</b> </p> <p>Wedgefix (F639) x 2</p>
<p><b>M</b> </p> <p>Drawer runner (F1004) x 2</p>		<p><b>N</b> </p> <p>Handle (F341) x 3</p>
<p><b>O</b> </p> <p>Hinge plate (F523) x 4</p>	<p><b>P</b> </p> <p>Hinge (F518) x 4</p>	<p><b>Q</b> </p> <p>Foot (F233) x 5</p>

## Tools required



Spirit level



Cross-head screwdriver



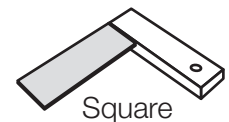
Scissors



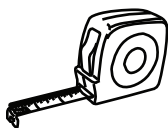
Hammer



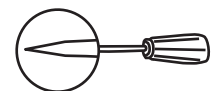
Eye protection (when using a hammer or drill)



Square

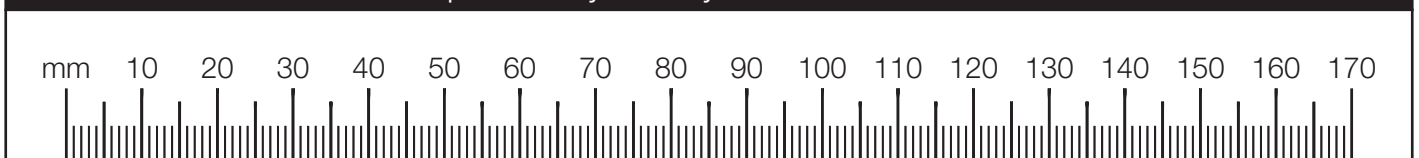


Rule



Bradawl

Ruler - Use this ruler to help correctly identify the screws



# Assembly Instructions

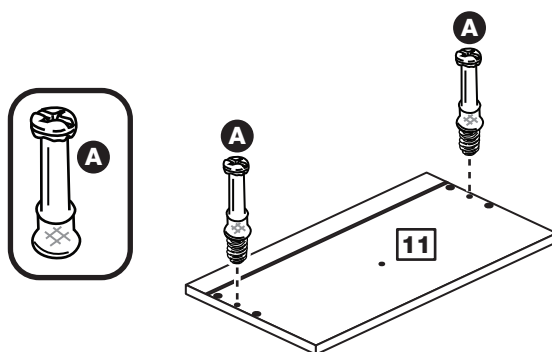
If you have damaged or missing components, call the  
**Customer Helpline: 03456 400800** quoting the reference  
numbers below

## Step 1

### Prepare the drawer front

Screw 2 metal dowels **A** into the drawer front **11**.

**Note:** Tighten the metal dowels up fully against the panels.

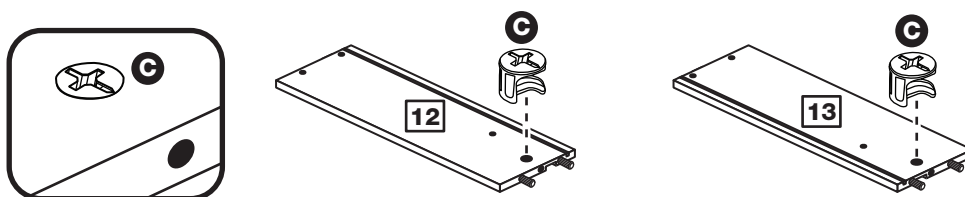


## Step 2

### Prepare the drawer sides

Insert a small locking nut **C** into the hole shown on the left drawer side **12** and the right drawer side **13**.

**Note:** The arrow on the locking nut **must** point towards the hole in the edge of the panel.



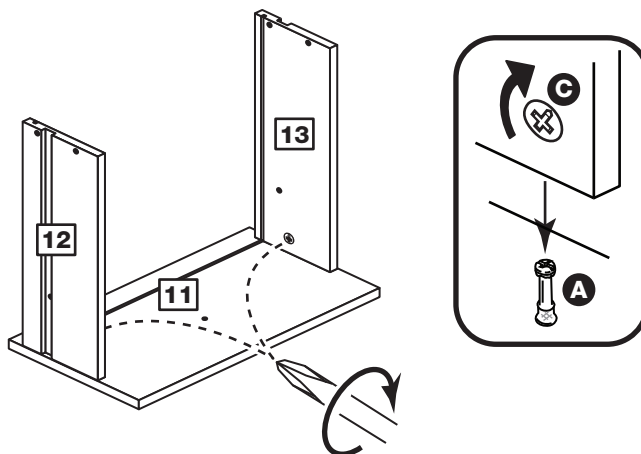
## Step 3

### Attach the drawer sides to the drawer front

Push the left drawer side **12** and right drawer side **13** onto the back of the drawer front **11**.

Turn the small locking nuts **C** on the left drawer side **12** and right drawer side **13**.

**Note:** Turn the locking nuts **C** clockwise to secure panels - more than 1/2 a turn.

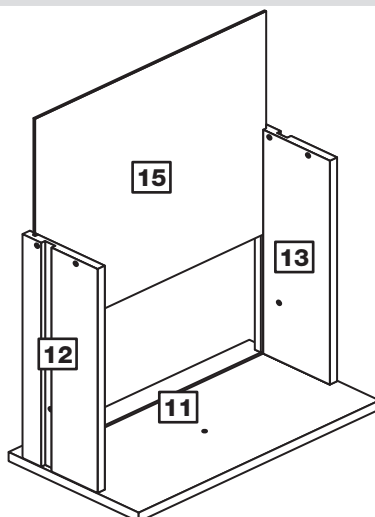


# Assembly Instructions

## Step 4

### Fit the drawer base

Slide the drawer base **15** down the grooves in the drawer sides **12** and **13** and down into the groove in the drawer front **11**.

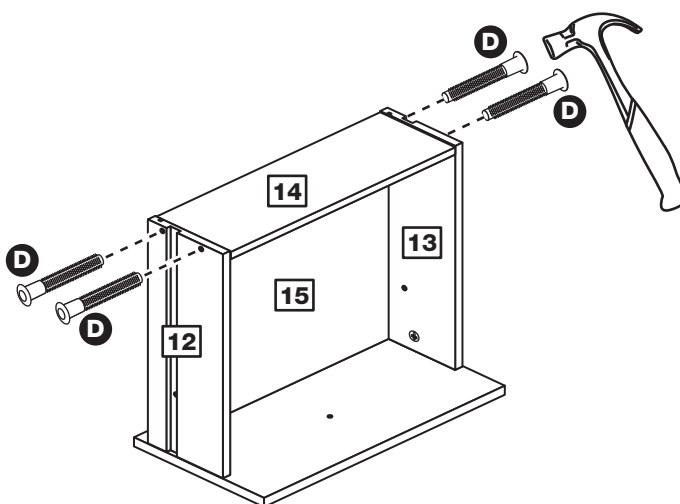


## Step 5

### Fit the drawer back

Fit the drawer back **14** between the drawer sides **12** and **13**. Make sure that the drawer base **15** fits into the groove in the drawer back **14**.

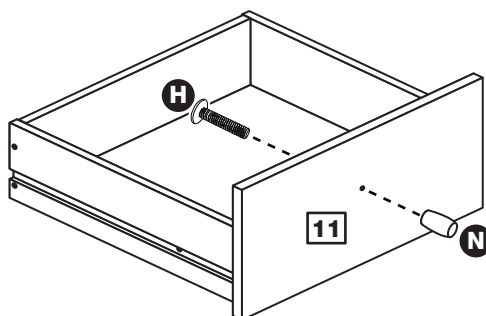
Hold the drawer back **14** in position and tap the knock-in pegs **D** through the holes in the drawer sides **12** and **13**.



## Step 6

### Attach the handle

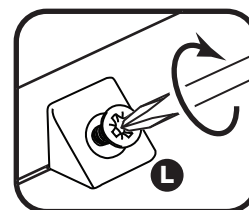
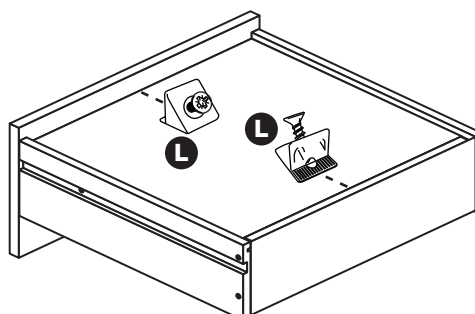
Attach a handle **N** to the drawer front **11** using screw **H**.



## Step 7

### Fit the wedgifixes

Turn the drawer assembly over and slide 2 wedgifixes **L** into the front and back groove, as shown, and tighten up the screws.



# Assembly Instructions

## Step 8

### Prepare the left divider

**a:** Place a runner **M** on the left divider **3** as shown. Slide back the top of runner and use the 1st hole from the front to fit the 1st screw **J**.

**b:** Slide the runner **M** back the other way and fit the 2nd screw **J** into the corresponding hole in the left divider **3**.

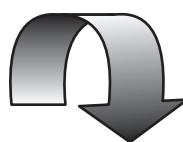
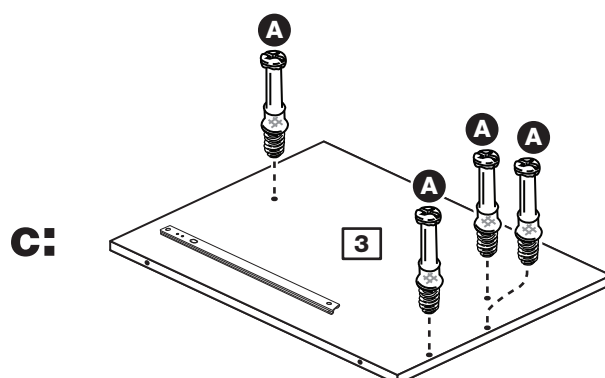
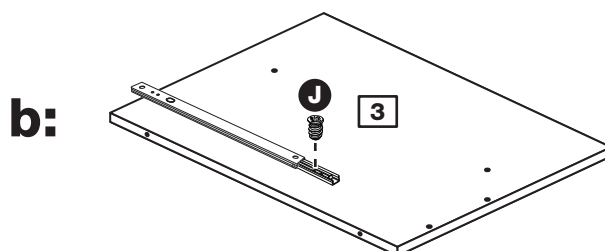
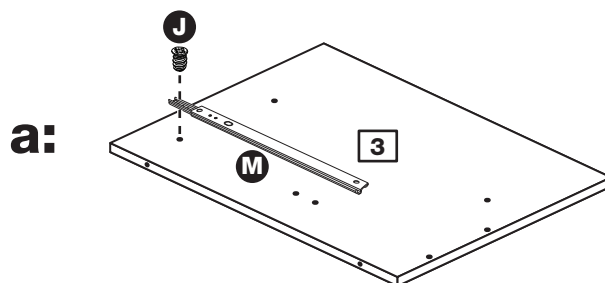
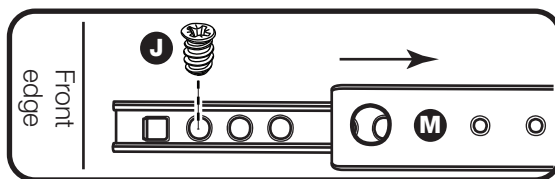
**c:** Screw 4 metal dowels **A** into the left divider **3**.

### Turn the left divider over

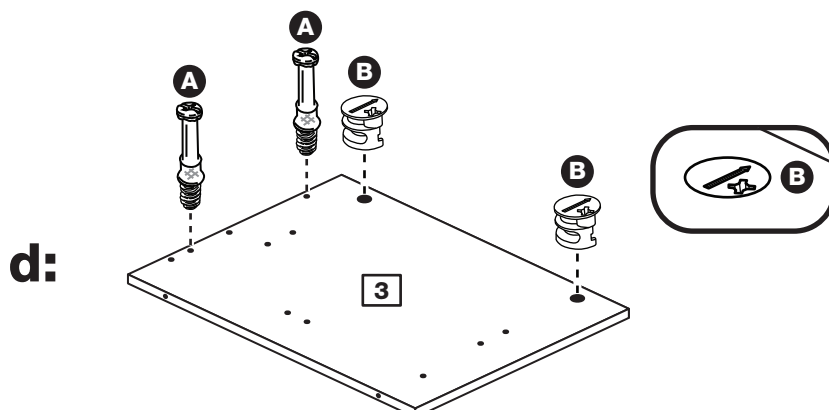
**d:** Insert 2 large locking nuts **B** into the left divider **3**.

**Note:** The arrow on the locking nuts **must** point towards the hole in the edge of the panel.

Screw 2 metal dowels **A** into the left divider **3**.



*Turn the left divider over*



# Assembly Instructions

## Step 9

### Prepare the right divider

**a:** Place a runner **M** on the right divider **4** as shown. Slide back the top of runner and use the 1st hole from the front to fit the 1st screw **J**.

**b:** Slide the runner **M** back the other way and fit the 2nd screw **J** into the corresponding hole in the right divider **4**.

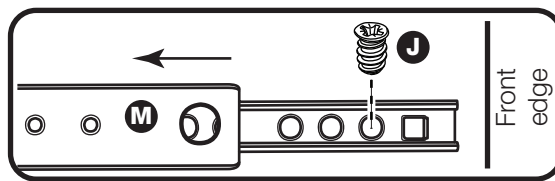
**c:** Screw 4 metal dowels **A** into the right divider **4**.

### Turn the right divider over

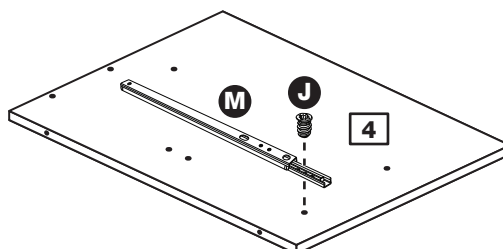
**d:** Insert 2 large locking nuts **B** into the right divider **4**.

**Note:** The arrow on the locking nuts **must** point towards the hole in the edge of the panel.

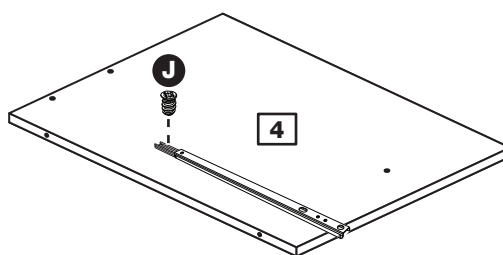
Screw 2 metal dowels **A** into the right divider **4**.



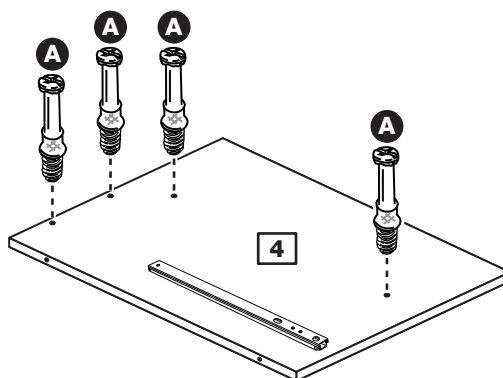
**a:**



**b:**

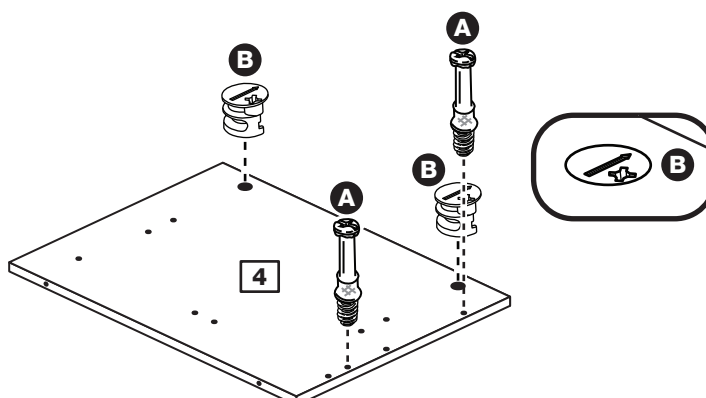


**c:**



**Turn the right divider over**

**d:**



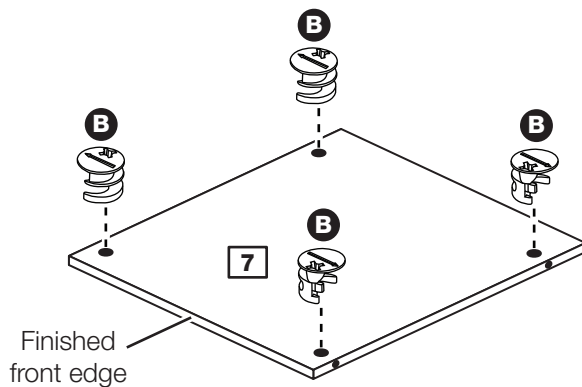


# Assembly Instructions

## Step 10

### Prepare the fixed shelf

Insert 4 large locking nuts **B** into the fixed shelf **7**.



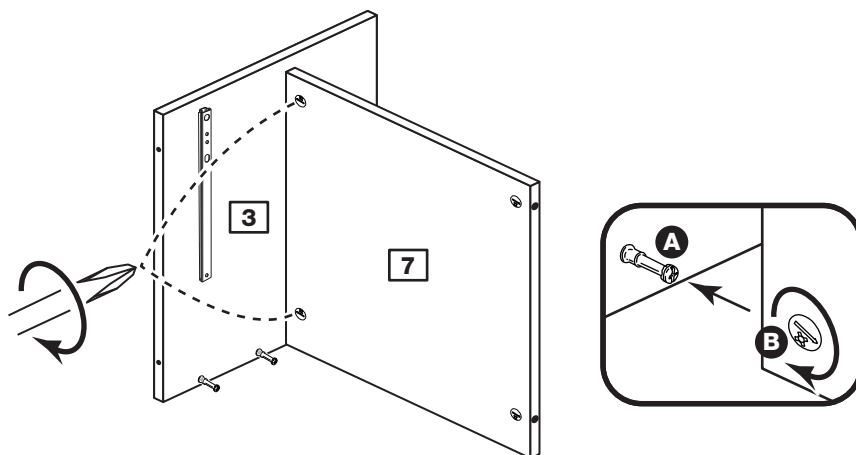
## Step 11

### Fit the fixed shelf to the left divider

Push the fixed shelf **7** onto the left divider **3**.

Use a screwdriver to tighten the 2 large locking nuts **B** fitted to the fixed shelf **7**.

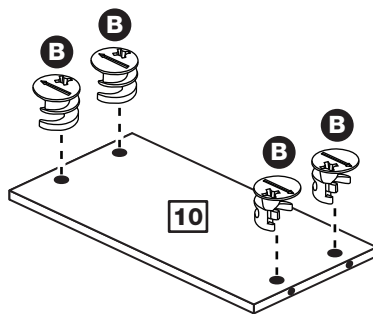
**Note:** Turn the large locking nuts **B** as far as they will go - more than 1/2 a turn.



## Step 12

### Prepare the low back

Insert 4 large locking nuts **B** into the low back **10**.



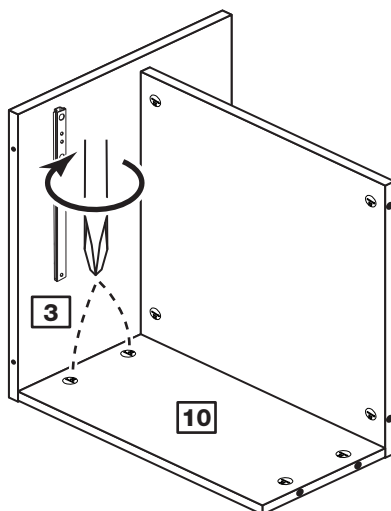
# Assembly Instructions

## Step 13

### Fit the low back

Push the low back **10** onto the left divider **3**.

Use a screwdriver to tighten the 2 large locking nuts **B** fitted to the low back **10**.

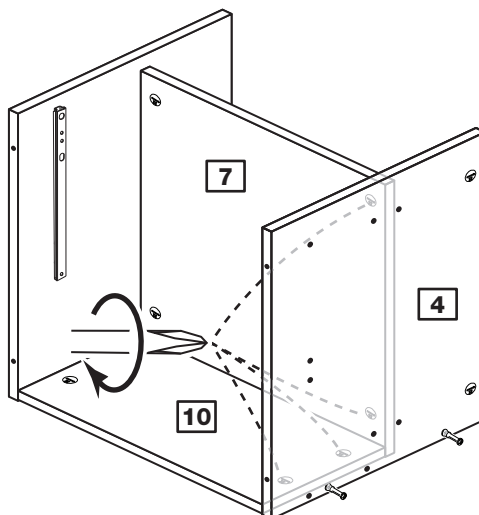


## Step 14

### Fit the right divider

Push the right divider **4** onto the fixed shelf **7** and low back **10**.

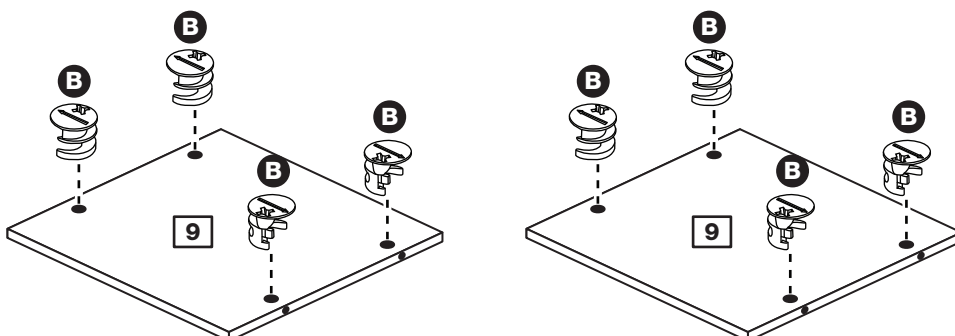
Use a screwdriver to tighten the 4 large locking nuts **B** fitted to the fixed shelf **7** and low back **10**.



## Step 15

### Prepare the 2 large backs

Insert 4 large locking nuts **B** into each of the 2 large backs **9**.



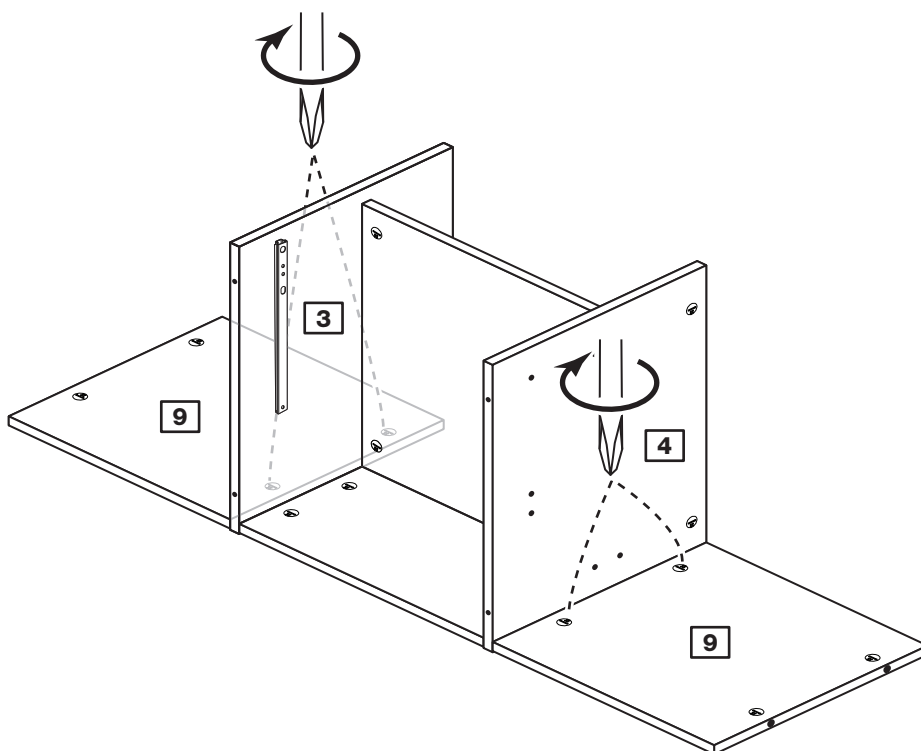
# Assembly Instructions

## Step 16

### Fit the 2 large backs

Push one of the large backs **9** onto the left divider **3** and the other onto the right divider **4**.

Use a screwdriver to tighten the 2 large locking nuts **B** fitted to each of the large backs **9**.



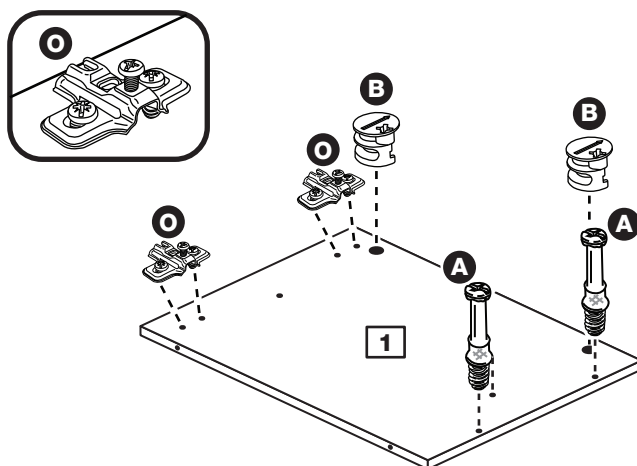
## Step 17

### Prepare the left end

Insert 2 large locking nuts **B** into the left end **1**.

Screw 2 metal dowels **A** into the left end **1**.

Fit 2 hinge plates **O** onto the left end **1**, making sure that the slot is facing towards the front edge.



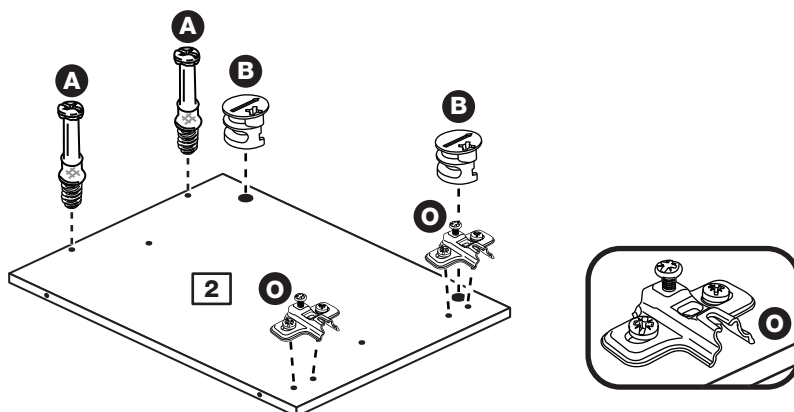
## Step 18

### Prepare the right end

Insert 2 large locking nuts **B** into the right end **2**.

Screw 2 metal dowels **A** into the right end **2**.

Fit 2 hinge plates **O** onto the right end **2**, making sure that the slot is facing towards the front edge.



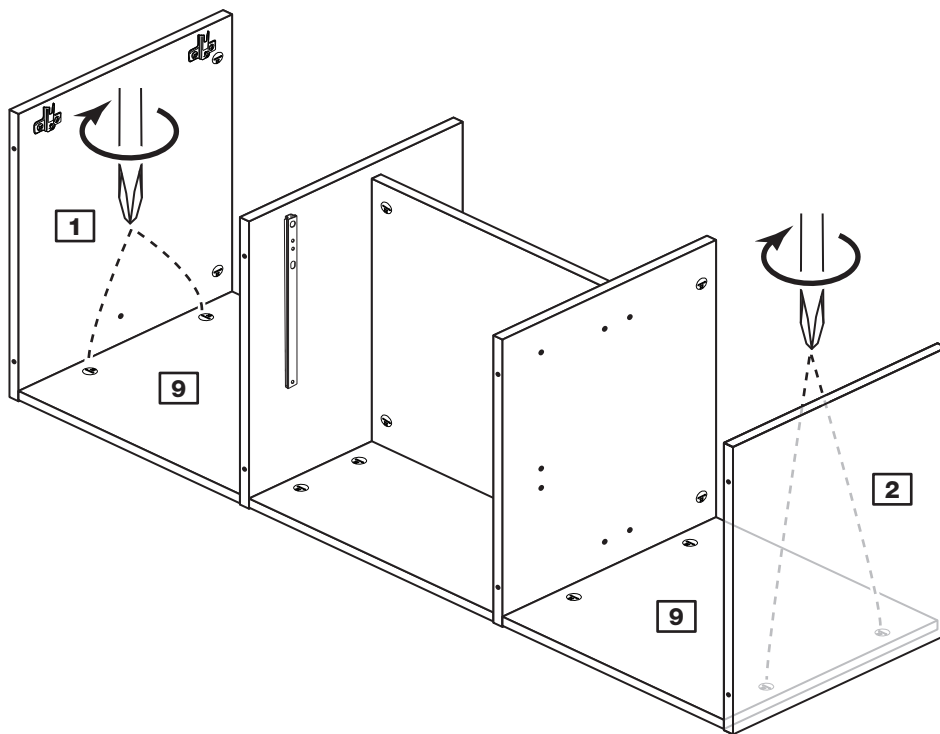
# Assembly Instructions

## Step 19

### Fit the left and right end panels

Push the left end **1** and right end **2** onto the large backs **9**.

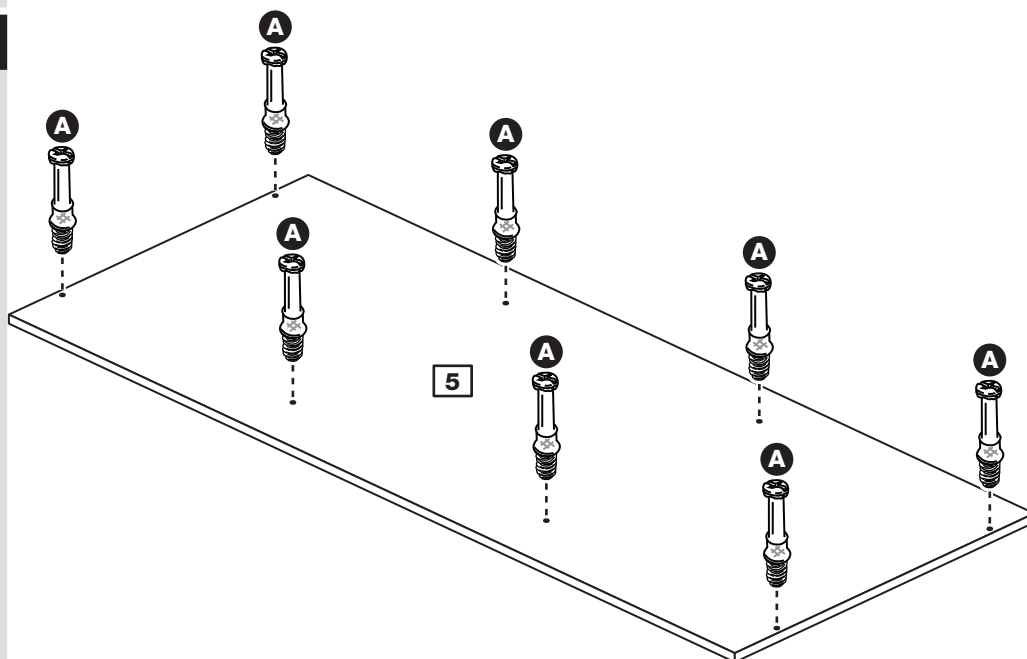
Use a screwdriver to tighten the 2 large locking nuts **B** fitted to the large backs **9**.



## Step 20

### Prepare the top

Screw 8 metal dowels **A** into the top **5**.



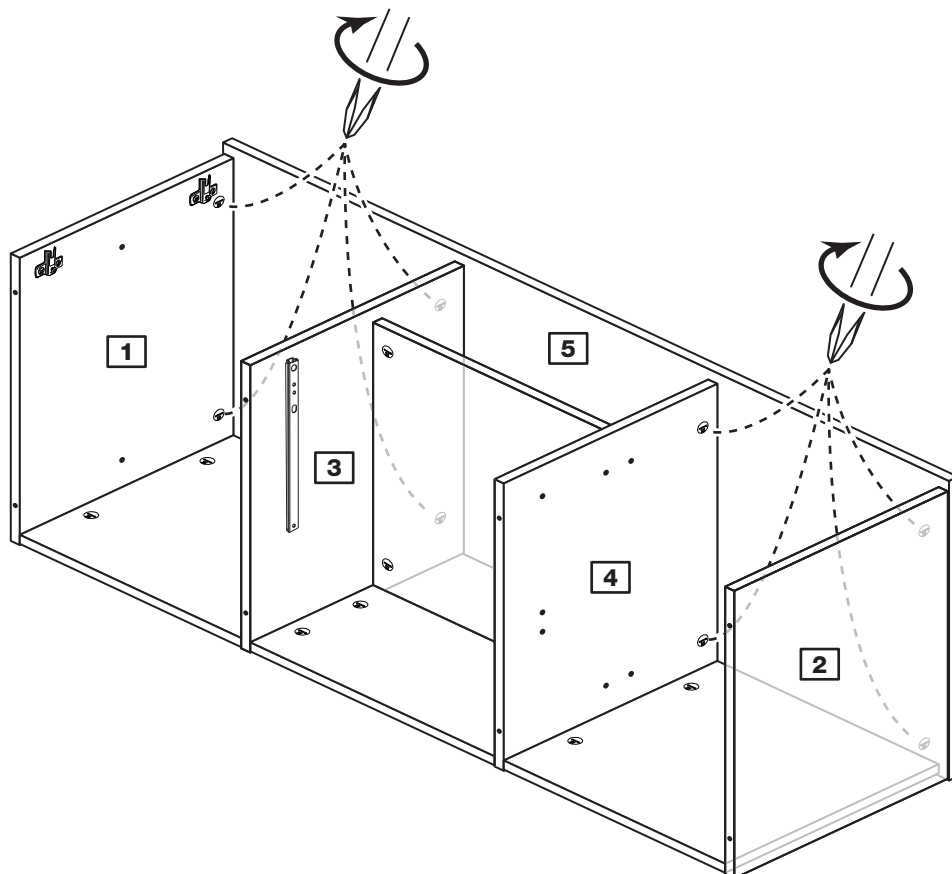
# Assembly Instructions

## Step 21

### Fit the top

Push the top **5** onto the assembly.

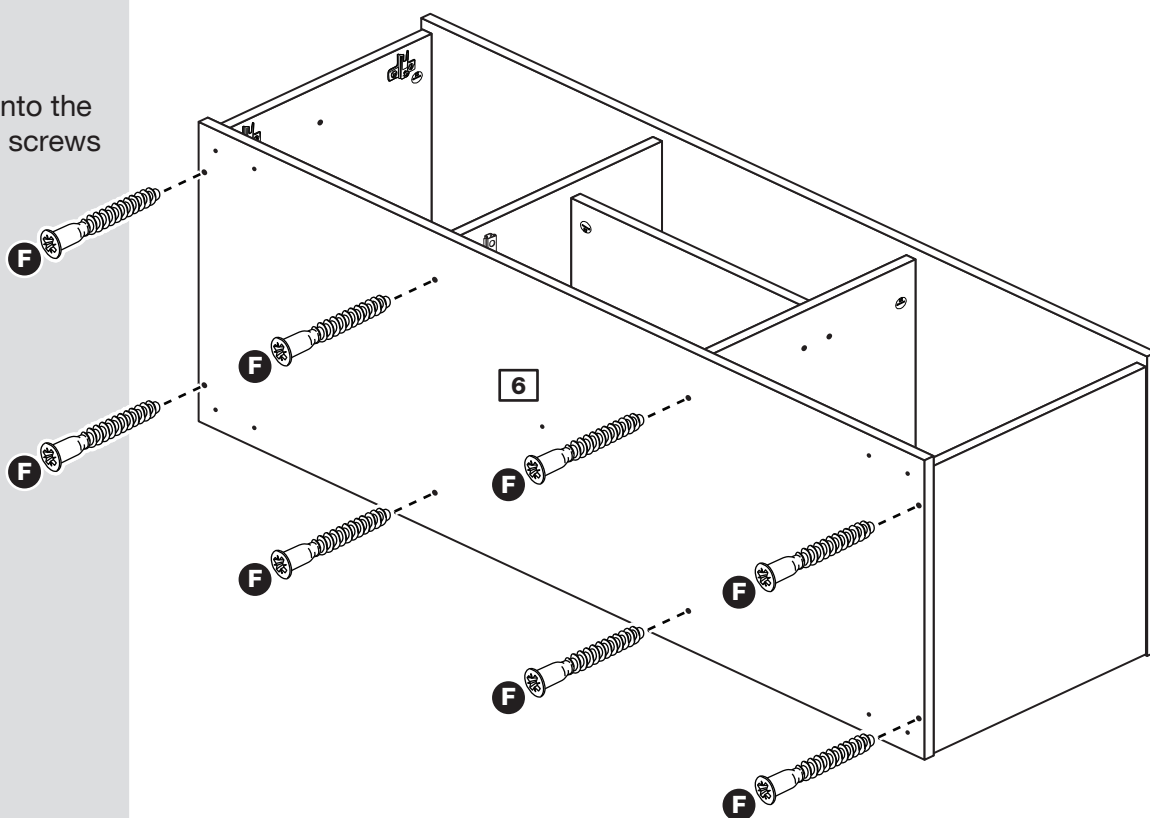
Use a screwdriver to tighten the 8 large locking nuts **B** fitted to the left end **1**, right end **2**, left divider **3** and right divider **4**.



## Step 22

### Fit the base

Fit the base **6** onto the assembly using 8 screws **F**.

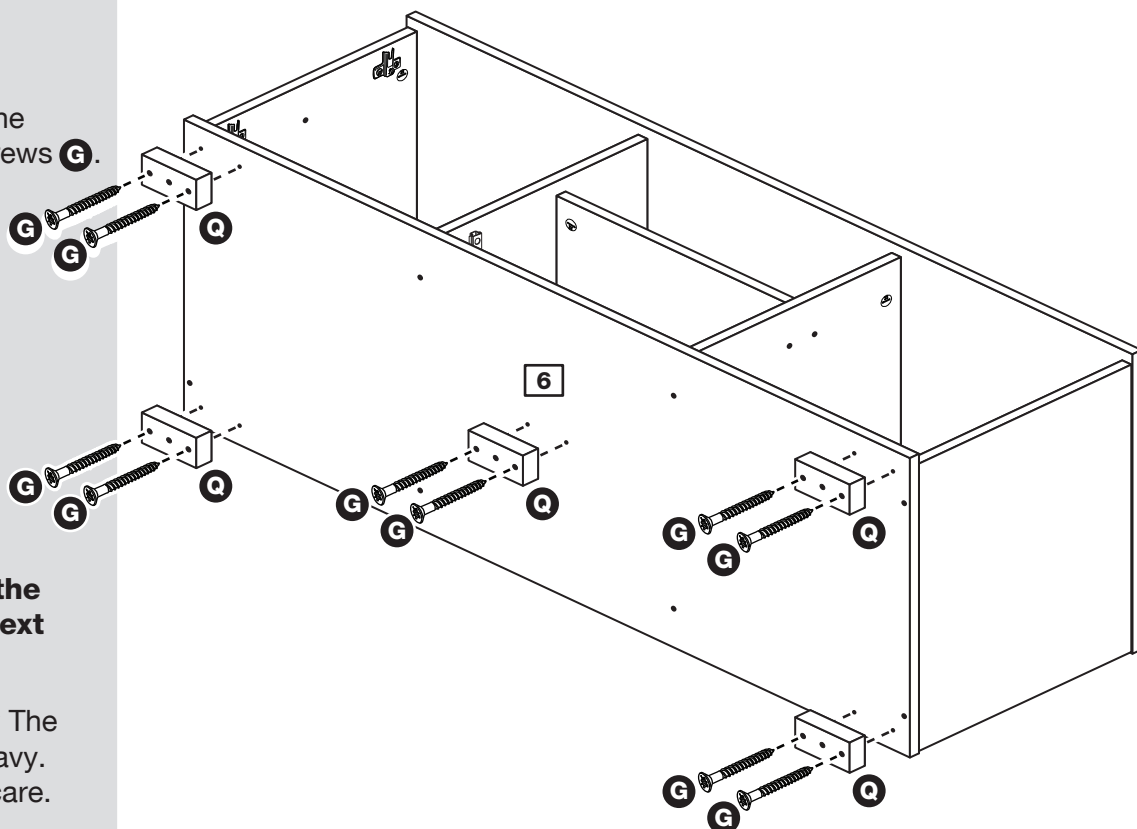


# Assembly Instructions

## Step 23

### Fit the feet

Fit the feet **Q** to the base **6** using screws **G**.



**Carefully stand the unit up for the next step.**



**Warning:** The unit is heavy. Lift with care.

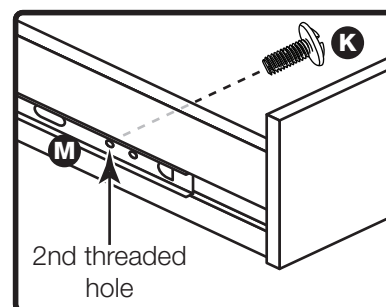
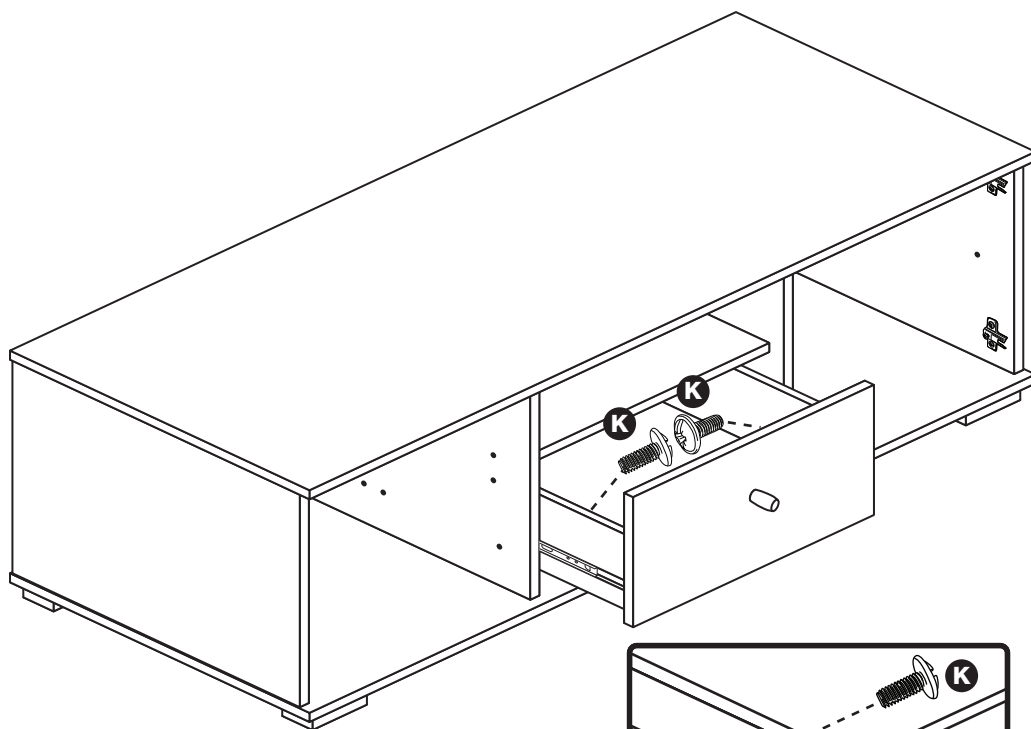
## Step 24

### Fit the drawer

Slide both the runners **M** forward and locate the drawer sides **12** and **13** between them, lining up the holes in the drawer wrap with the 2nd 'threaded' holes in the runners **M**.

Working from the inside of the drawer, insert 2 screws **K** through the drawer sides and out into the 2nd threaded hole in the runner.

**Note:** Do not overtighten the screws **K**. If they catch on the runner you may need to loosen them slightly.

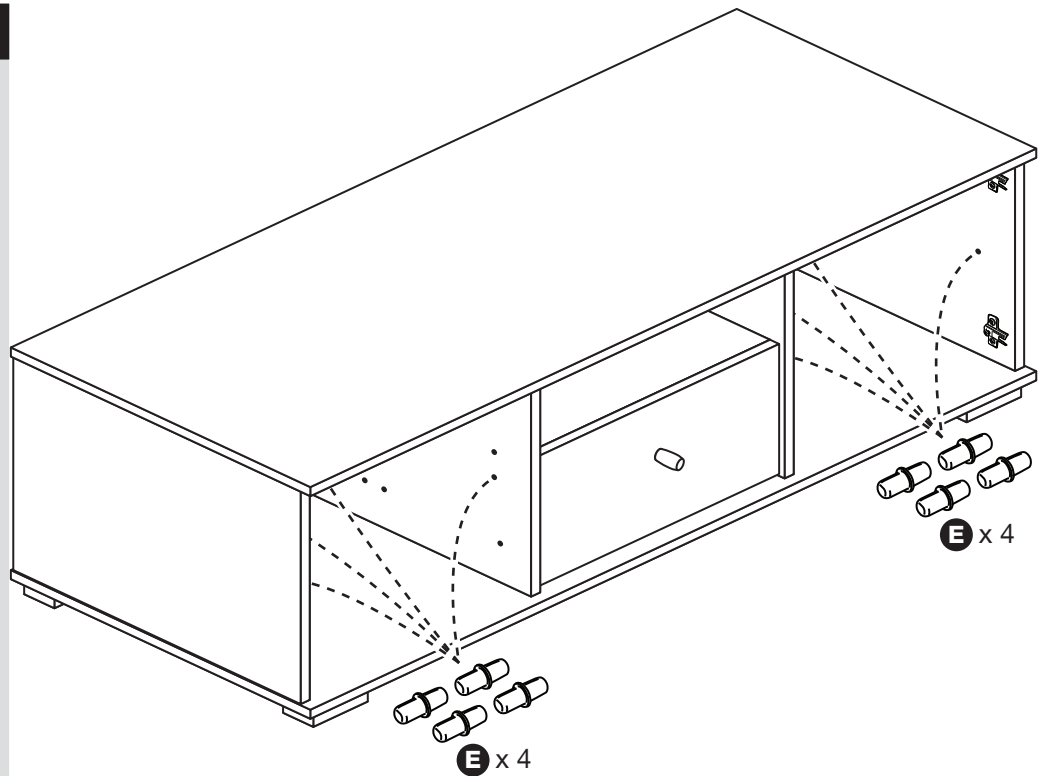


# Assembly Instructions

## Step 25

### Fit the shelf studs

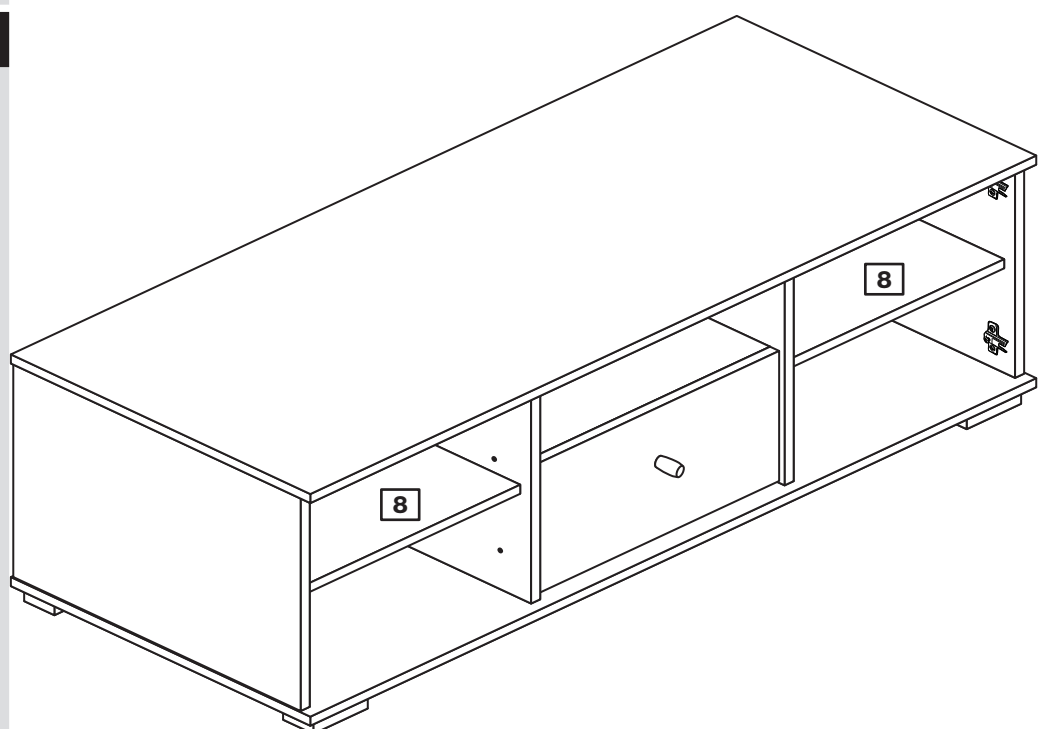
For each of the 2 loose shelves **8**, insert 4 shelf studs **E**.



## Step 26

### Fit the 2 loose shelves

Lower the 2 loose shelves **8** down onto the shelf studs **E**.



# Assembly Instructions

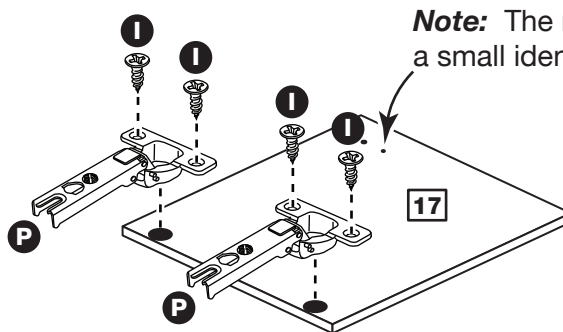
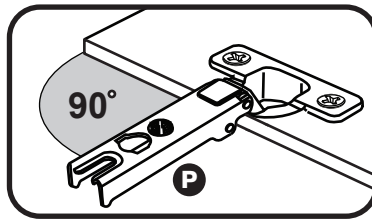
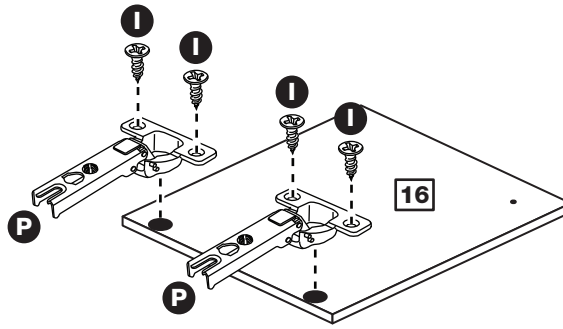
## Step 27

### Prepare the 2 doors

Push fit 2 hinges **P** into the left door **16** and the right door **17**.

Secure each hinge with 2 screws **I**.

**Note:** Before securing with the screws, make sure that the hinges are positioned at 90 degrees with the edge of the door.



**Note:** The right door has a small identification mark.



# Assembly Instructions

## Step 28

### Fit the 2 doors

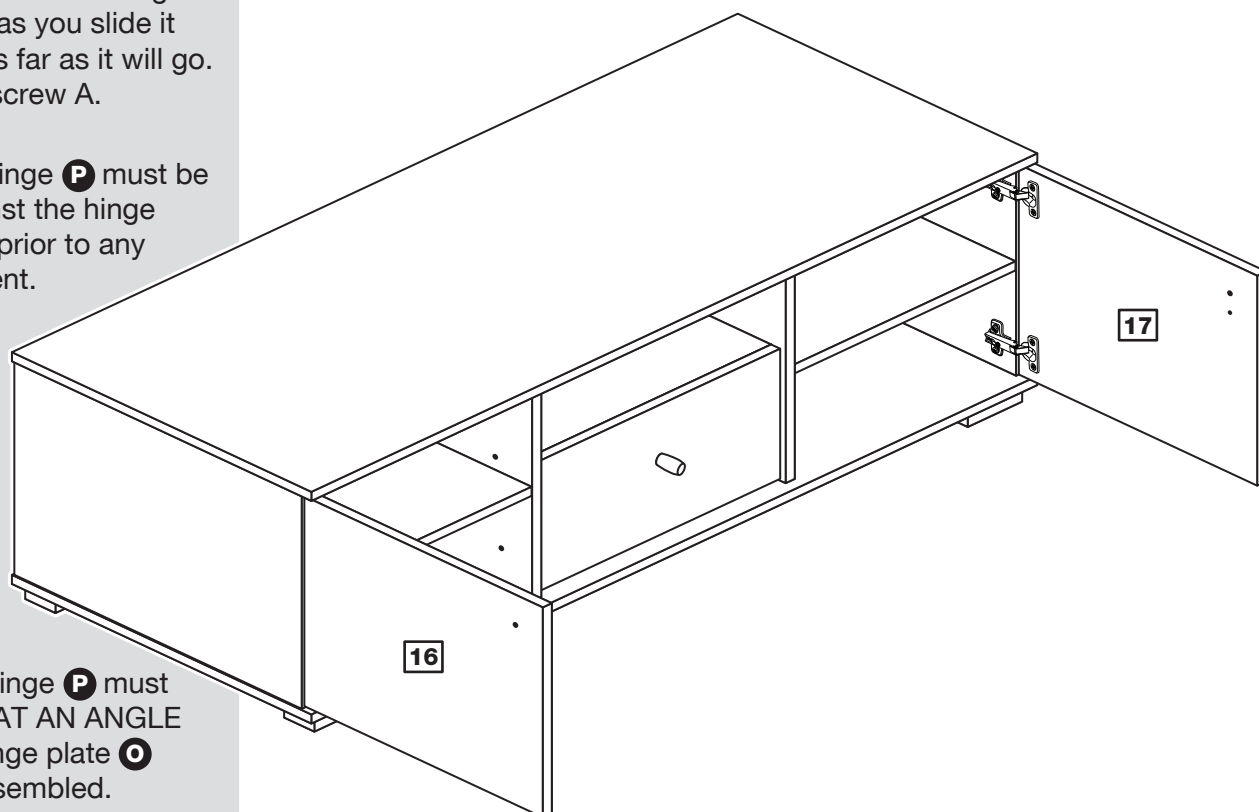
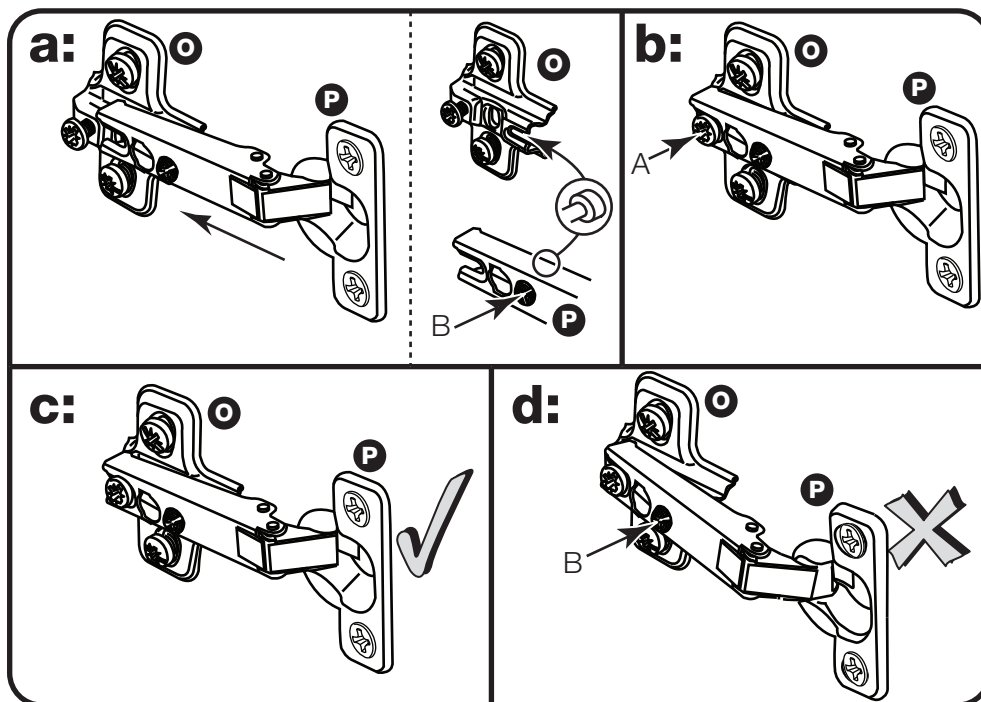
**Note:** The easiest way to attach each door **16** and **17** is to fit the top hinge first, then align and fit the other hinge.

**a:** Push the hinge **P** onto the front part of the hinge plate **O**. The recess at the bottom of screw B goes into the slot in the hinge plate.

**b:** Keep the hinge **P** FLAT against the hinge plate **O** as you slide it across as far as it will go. Tighten screw A.

**c:** The hinge **P** must be flat against the hinge plate **O** prior to any adjustment.

**d:** The hinge **P** must NOT be AT AN ANGLE to the hinge plate **O** when assembled. This would indicate that the recess at the bottom of screw B had not located in the slot in the hinge plate and the hinge would not be secure. Remove the hinge from the hinge plate and then re-assemble being careful to follow instructions a-c.

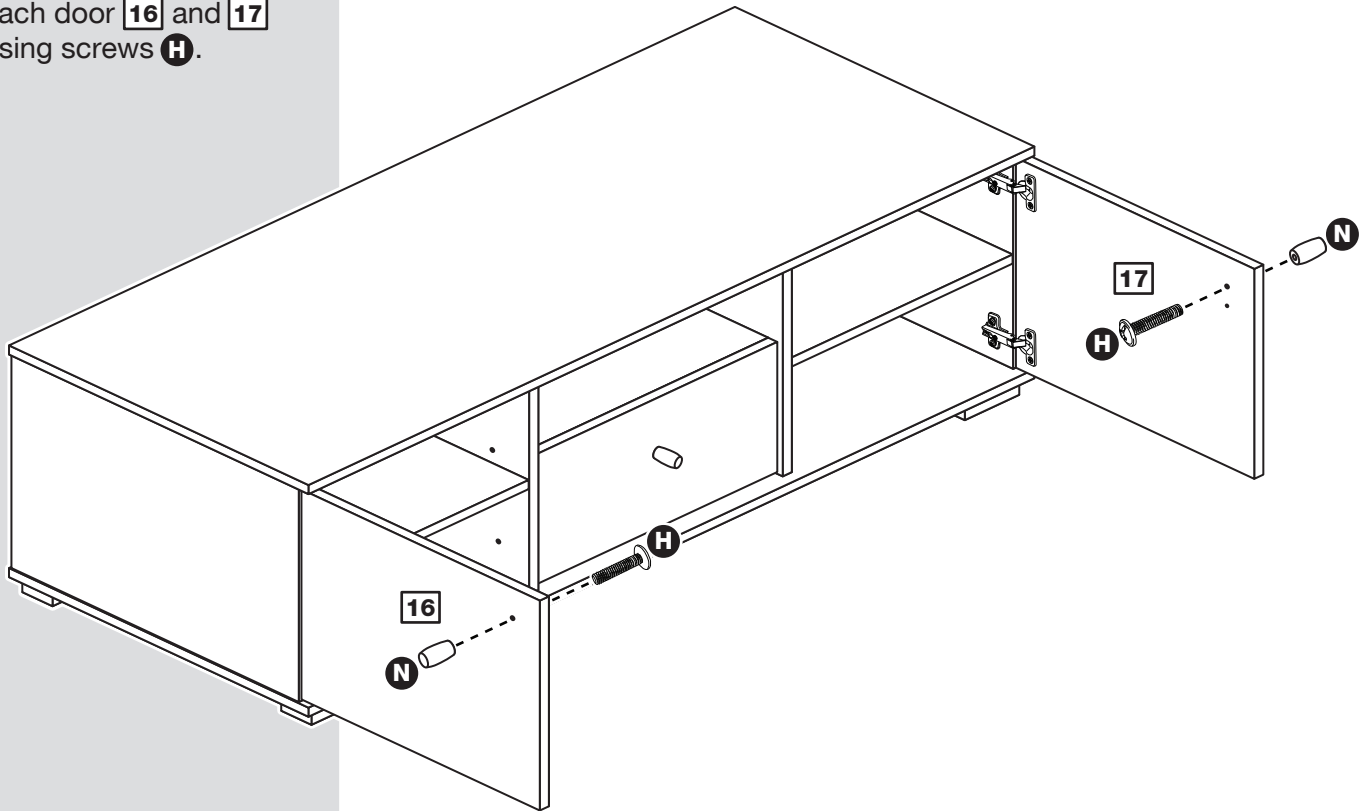


# Assembly Instructions

## Step 29

### Fit the handles

Attach a handle **N** to each door **16** and **17** using screws **H**.



# Assembly Instructions

## Step 30

### Adjust the doors if needed

**a:** Before adjusting the doors, use a spirit level to check the base (or top) of the unit is level, front-to-back and side-to-side in the 3 positions shown. Use suitable packing pieces (not supplied) to make the unit level BEFORE making any adjustment to the hinges, as shown.

### **b:** Height adjustment.

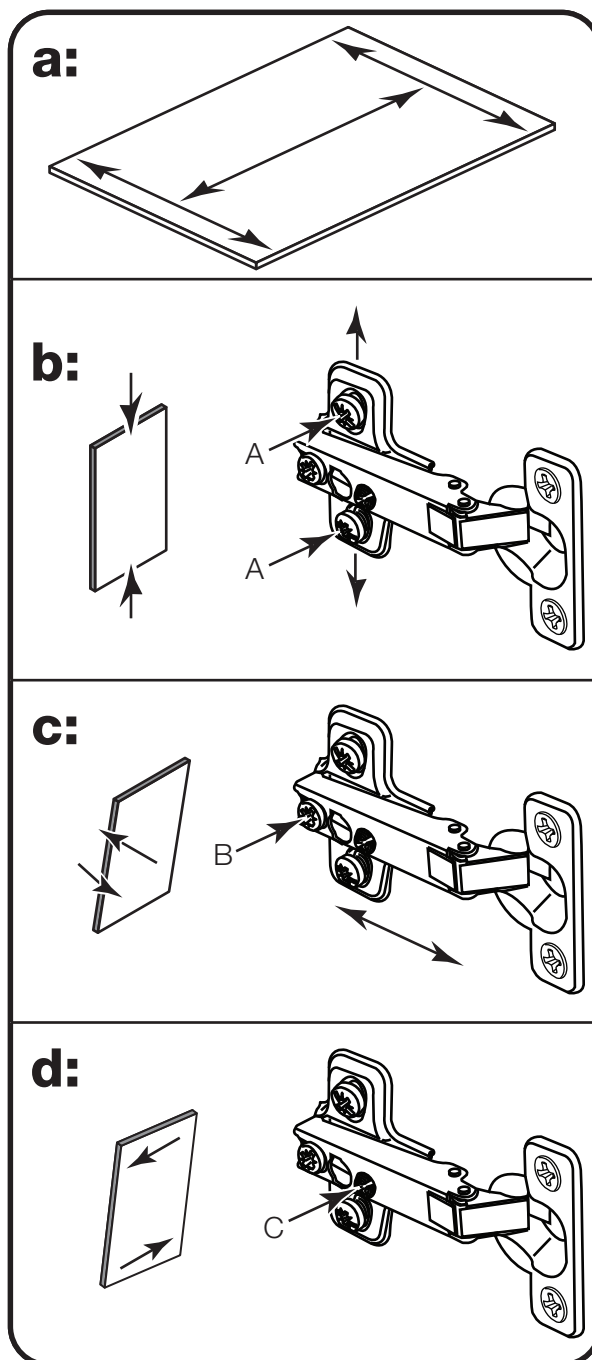
Loosen screws A on hinge plates and move door up or down as required. Retighten screw A.

### **c:** Forward and Back adjustment.

Loosen screw B on hinge plate and move door in or out as required. Retighten screw B.

### **d:** Sideways adjustment.

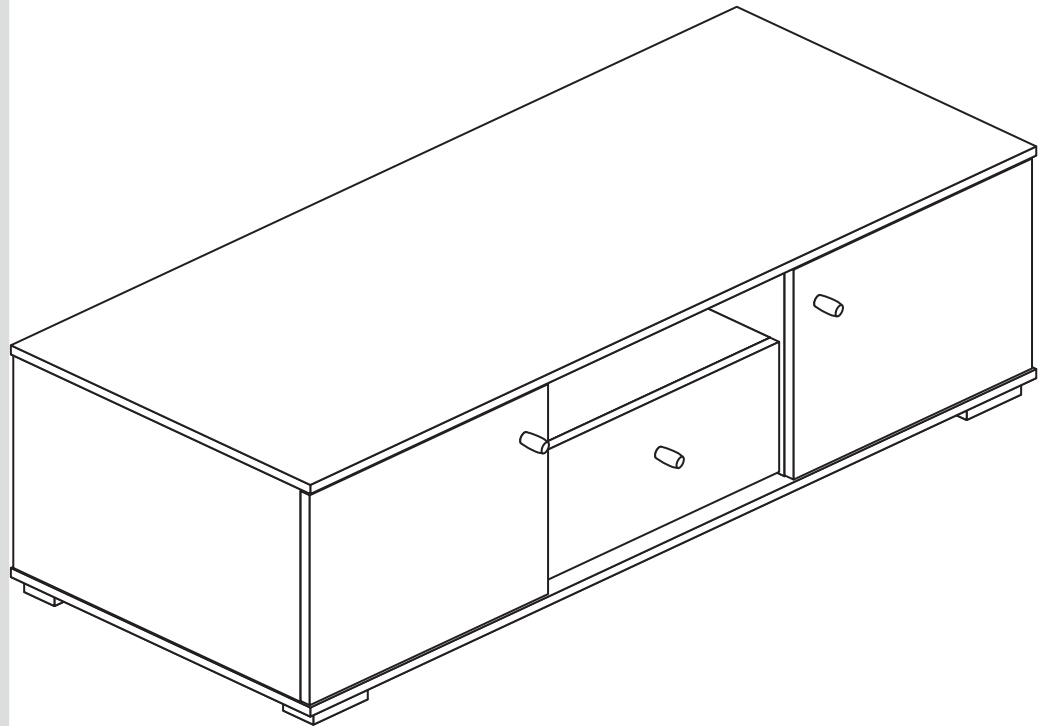
To move door 'out' loosen screw C. To move door 'in' tighten screw C.



# Assembly Instructions

## Step 31

**Assembly is complete**



If you need help or have damaged or missing parts, call the **Customer Helpline: 03456 400800** and quote the reference numbers on the component pages.

Argos Ltd, 489-499 Avebury Boulevard, Central Milton Keynes, MK9 2NW