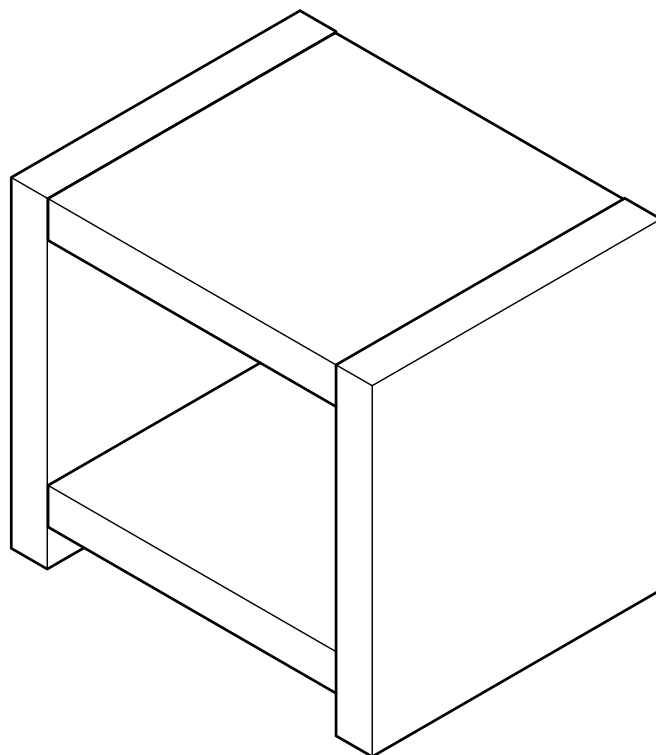


# Sicily End Table

Assembly Instructions - Please keep for future reference

408/8688



## Dimensions

Width - 50cm

Depth - 40cm

Height - 45cm

**Important** - Please read these instructions fully before starting assembly

If you need help or have damaged or missing parts, call the **Customer Helpline: 03456 400800**



# Safety and Care Advice

## Important - Please read these instructions fully before starting assembly

- Check you have all the components and tools listed on the following pages.
- Remove all fittings from the plastic bags and separate them into their groups.
- Keep children and animals away from the work area, small parts could choke if swallowed.
- Make sure you have enough space to layout the parts before starting.

- During assembly do not stand or put weight on the product, this could cause damage.
- Assemble the item as close to its final position (in the same room) as possible.
- Assemble on a soft level surface to avoid damaging the unit or your floor.
- Parts of the assembly will be easier with 2 people.



- To reduce the likelihood of damaging your product please ensure that your power drill is set on a low torque setting.

## Glue safety - Take care when using glue, please follow the advice below

**Skin contact:** Remove contamination by washing with soap and water. This procedure should also be followed prior to eating and drinking.

**Eye contact:** Rinse immediately with clean water for 15 minutes and seek medical advice.

**If swallowed:** Seek medical advice immediately.

## Care and maintenance

- Only clean using a damp cloth and mild detergent, do not use bleach or abrasive cleaners.
- From time to time check that there are no loose screws on this unit.
- This product should not be discarded with household waste. Take to your local authority waste disposal centre.

## Handy Hints

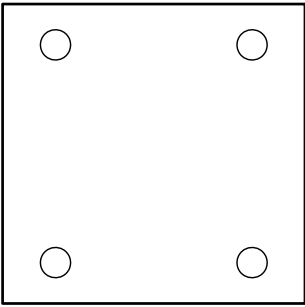
- Assemble all parts and bolts loosely during assembly, only once the product is complete should you fully tighten the bolts.
- Regularly check and ensure that all bolts and fittings are tightened properly.

**Note:** If required the next page can be cut out and used as reference throughout the assembly. Keep this page with these instructions for future reference.

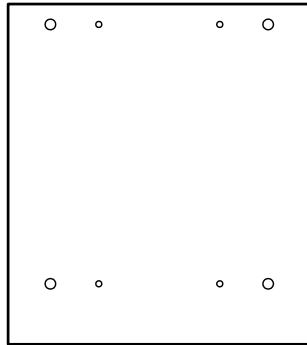
# Components - Panels

If you have damaged or missing components, call the **Customer Helpline: 03456 400800**

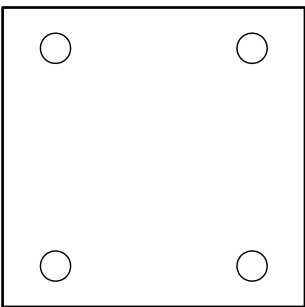
Please check you have all the panels listed below



**1** Top panel (40 x 39.6cm)



**2** Side panel x2 (45 x 40cm)



**3** Bottom panel (40 x 39.6cm)



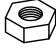





# Components - Fittings

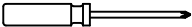
If you have damaged or missing components, call the **Customer Helpline: 03456 400800**

Please check you have all the fittings listed below

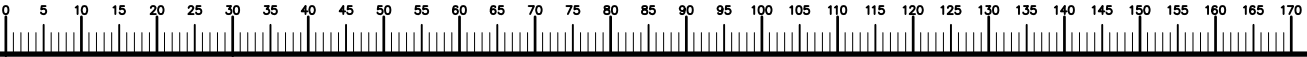
**Note:** The quantities below are the correct amount to complete the assembly. In some cases more fittings may be supplied than are required.

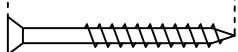
<b>A</b>  90mm bolt x 8	<b>B</b>  Half moon nut x 8	<b>C</b>  Hex nut x 8
<b>D</b>  Spanner x 1	<b>E</b>  Glue x 1	<b>F</b>  50mm Dowel x 8

## Tools required

 Phillips screwdriver  
(medium & large)

## Ruler - Use this ruler to help correctly identify the screws





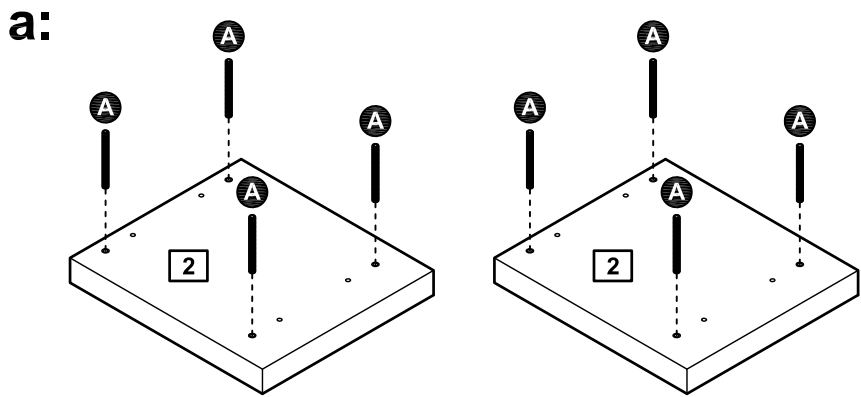
The screws length is measured from the head to the point (30mm screw shown).

# Assembly Instructions

## Step 1

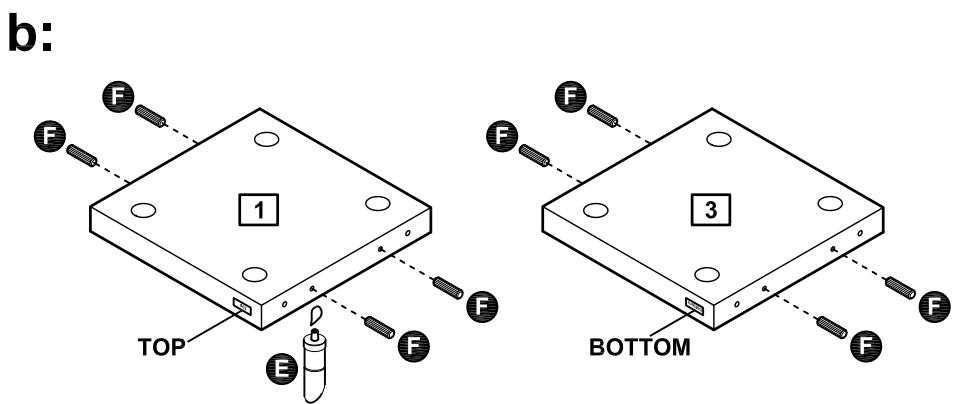
### Fitting the fittings

**a:** Screw bolts **A** into side panels **2**.



**Caution:** Always check the assembly method is correct before applying glue.

**b:** Place a small amount of glue **E** into the dowel holes. Insert dowels **F** into top panel **1** and bottom panel **3**.



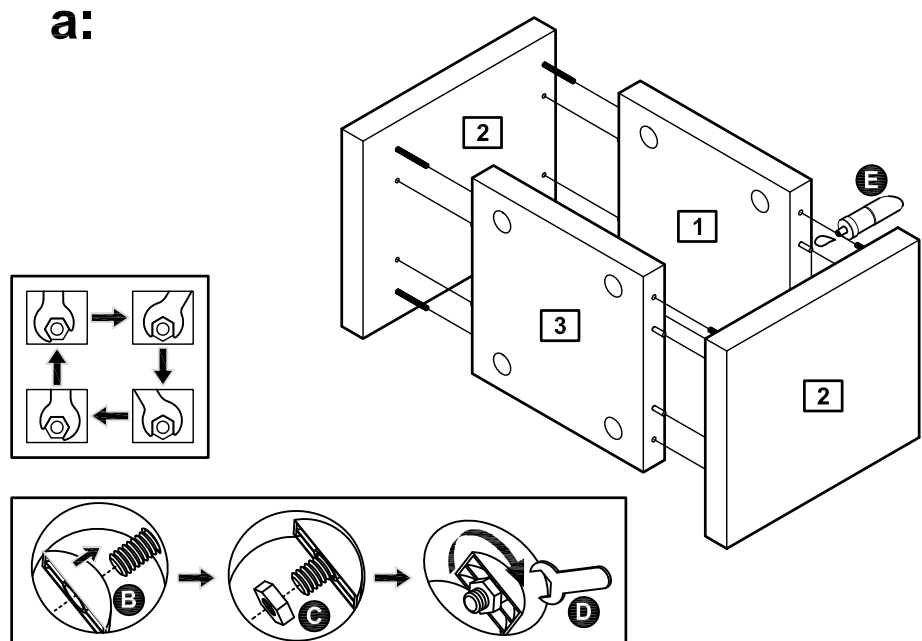
## Step 2

### Finish the unit

**a:** Place a small amount of glue **E** into the dowel holes. Attach side panels **2** onto top panel **1** and bottom panel **3**.

Insert half moon nuts **B** and hex nuts **C** into the holes on panels **1** and **3**. Tighten using the spanner **D**.

Assembly is complete.



If you need help or have damaged or missing parts, call the **Customer Helpline: 03456 400800**