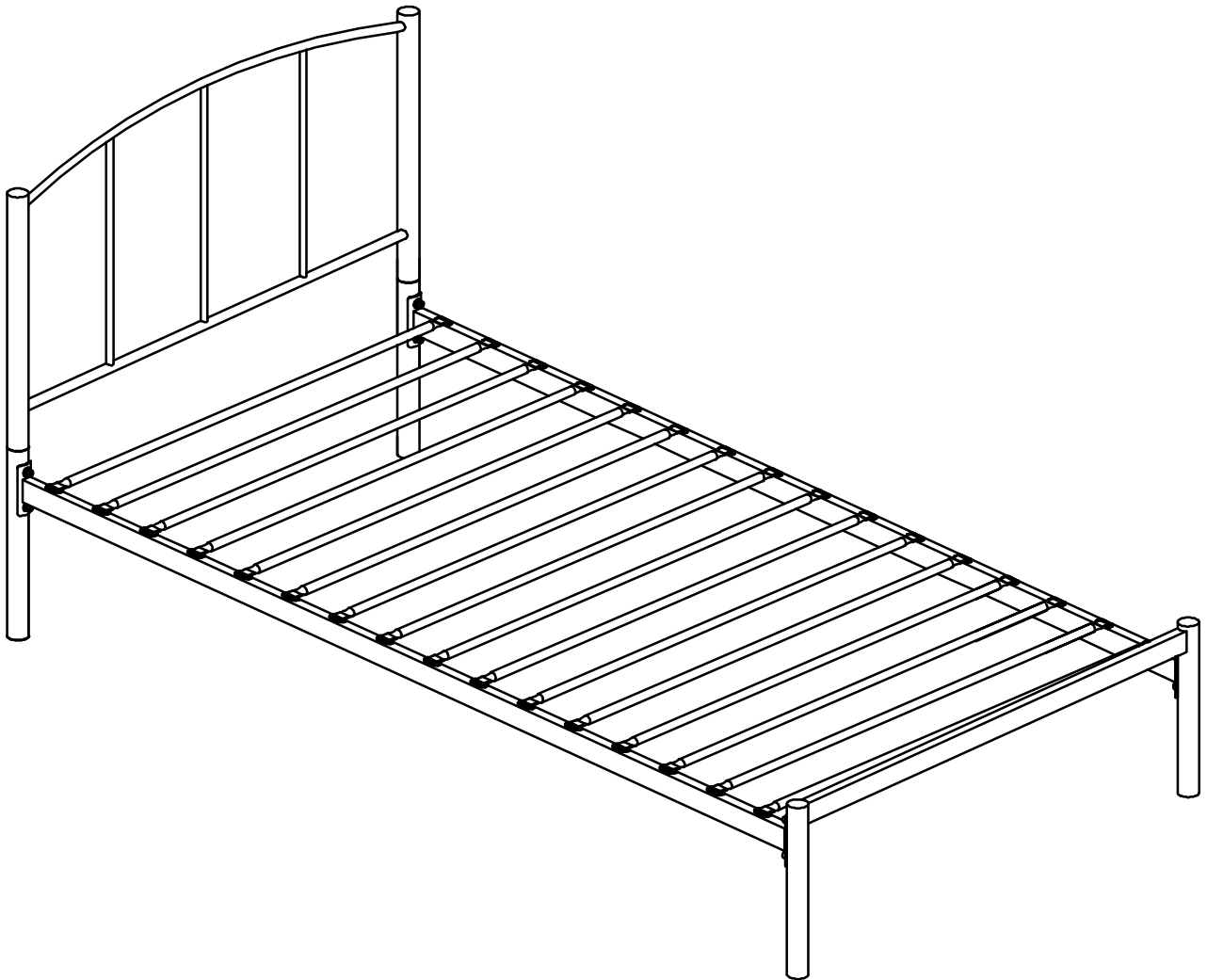


Austin 3ft bed

Assembly Instructions - Please keep for future reference

404/8154

417/8718



Dimensions

Width - 95.7cm

Depth - 198.8cm

Height - 91cm

Important – Please read these instructions fully before starting assembly

If you need help or have damaged or missing parts, call the **Customer Helpline:**
Argos = 0345 640800



Safety and Care Advice

Important – Please read these instructions fully before starting assembly

- Check you have all the components and tools listed on the following pages.
- Remove all fittings from the plastic bags and separate them into their groups.
- Keep children and animals away from the work area, small parts could choke if swallowed.
- Make sure you have enough space to layout the parts before starting.

- During assembly do not stand or put weight on the product, this could cause damage.
- Assemble the item as close to its final position (in the same room) as possible.
- Assemble on a soft level surface to avoid damaging the unit or your floor.
- Parts of the assembly will be easier with 2 people.



- To reduce the likelihood of damaging your product please ensure that your power drill is set on a low torque setting.

Care and maintenance

- Only clean using a damp cloth and mild detergent, do not use bleach or abrasive cleaners.
- From time to time check that there are no loose screws on this unit.
- This product should not be discarded with household waste. Take to your local authority waste disposal centre.

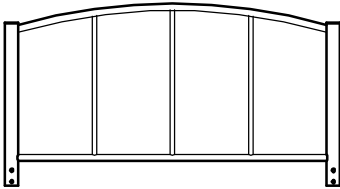
Handy Hints

- Assemble all parts and bolts loosely during assembly, only once the product is complete should you fully tighten the bolts
- Regularly check and ensure that all bolts and fittings are tightened properly.

Components - Panels

If you have damaged or missing components, call the
Customer Helpline: Argos = 0345 6400800

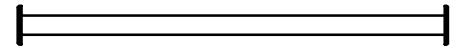
Please check you have all the panels listed below



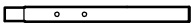
1 Headboard
(95.7 x 48.2cm)



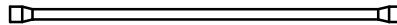
2 Footboard
(95.7 x 36.5cm)



3 Side rail x 2
(192.2 x 9cm)



4 Headboard post x 2
(dia3.8 x 47.5cm)


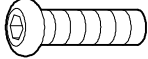


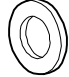




5 Slat x 16
(92.2 x 3.2cm)

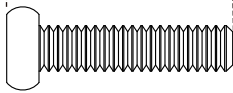
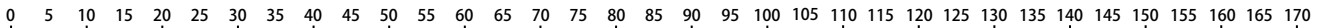
Components - Fittings

Please check you have all the fittings listed below

Note: The quantities below are the correct amount to complete the assembly. In some cases more fittings may be supplied than are required.

A  16mm Bolt x 4	B  30mm Bolt x 8	C  Plain washer x 8
D  Spring washer x 8	E  Plastic washer x 8	F  Small hex key x 1
G  Large hex key x 1		

Ruler - Use this ruler to help correctly identify the screws



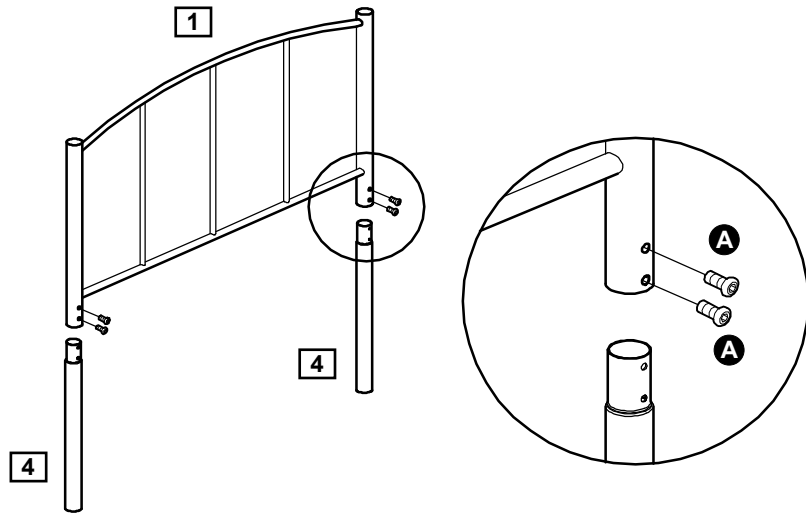
The bolts length is measured from the head to the point (30mm bolt shown).

Assembly Instructions

Step 1

Assemble headboard

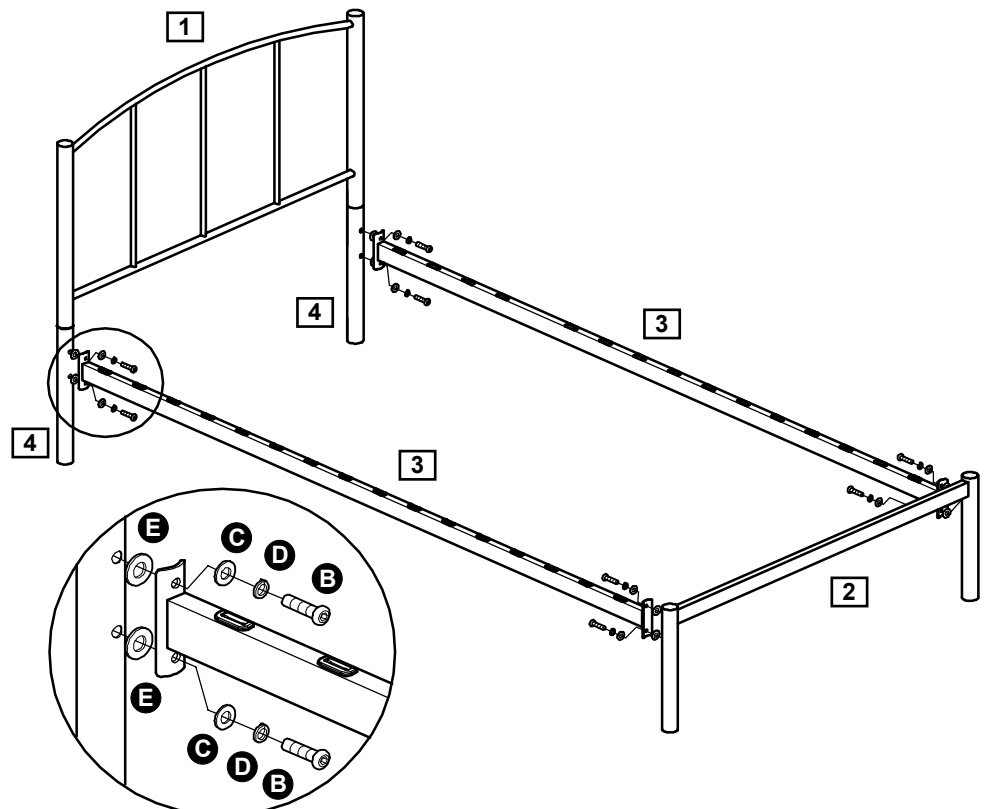
Fix headboard post **4** to headboard **1** using bolts **A**.



Step 2

Assemble side rails

Fix side rails **3** to headboard posts **4** and footboard **2** using bolts **B**, spring washers **D**, plain washers **C** and plastic washers **E**.



! *Important note:*

Do not fully tighten bolts at this stage.

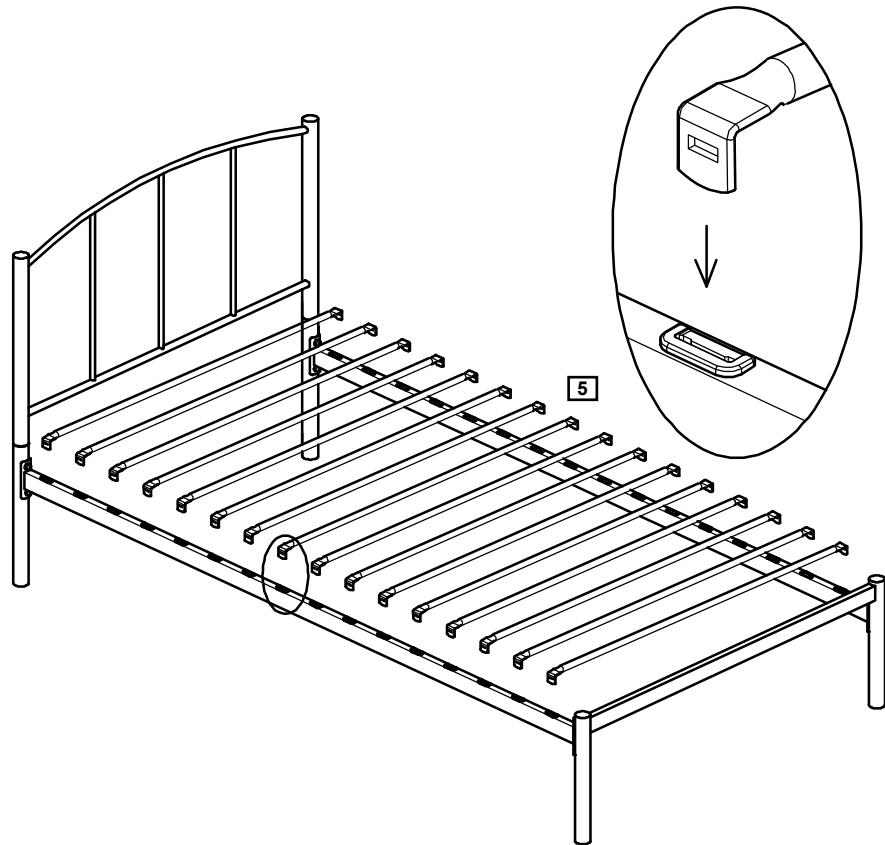
Assembly Instructions

Step 3

Assemble slats

Insert slats **5** to the side rails.

Assembly is complete.



Important note: After all the parts are positioned, you can now fully tighten all bolts fixed on previous steps.

If you need help or have damaged or missing parts, call the **Customer Helpline:**
Argos = 0345 6400800