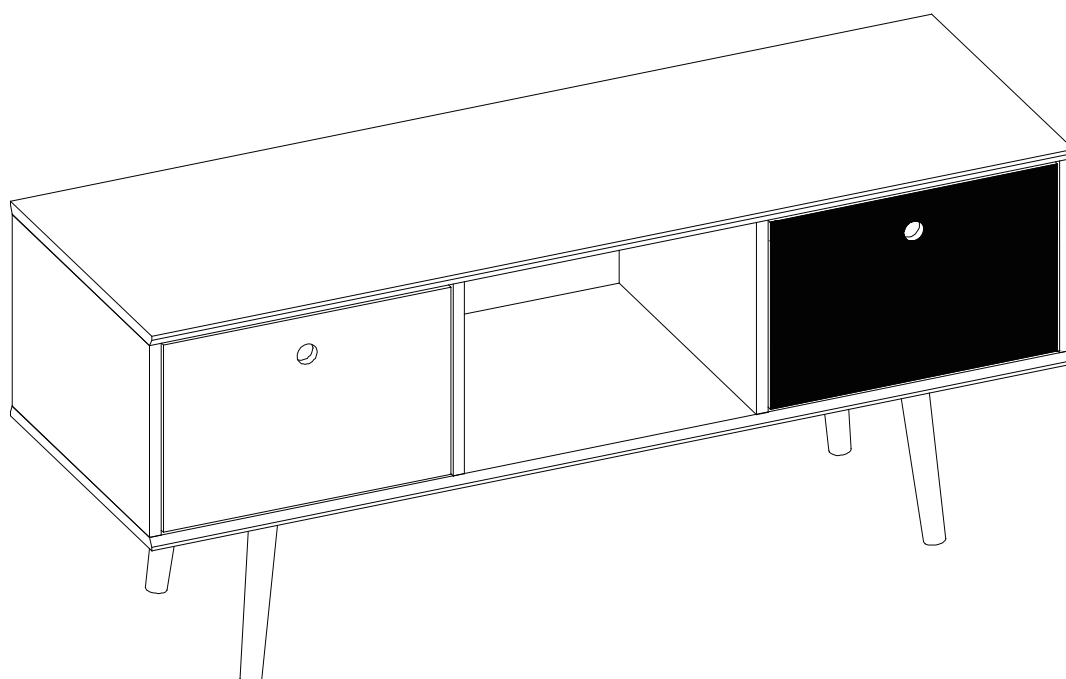


# Alto TV Unit

Assembly Instructions - Please keep for future reference

404/3733

**hygena**



## Dimensions

Width - 120cm  
Depth - 40cm  
Height - 53.2cm

**Important - Please read these instructions fully before starting assembly**

If you need help or have damaged or missing parts, call the **Customer Helpline: 0345 6400 800**



## Safety and Care Advice

**Important – Please read these instructions fully before starting assembly**

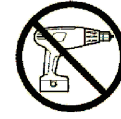
Check you have all the components and tools listed on pages 2 and 3.  
Remove all fittings from the plastic bags and separate them into their groups.  
Keep children and animals away from the work area, small parts could choke if swallowed.  
Make sure you have enough space to layout the parts before starting.

Assemble the item as close to its final position (in the same room) as possible.

Assemble on a soft level surface to avoid damaging the unit or your floor.

Assembly requires 2 people.

Do not stand or put excessive weight on the product, this could cause damage.



We do not recommend the use of power drill/drivers **for inserting screws,**

as this could damage the unit. Only use hand screwdrivers and Allen keys.

Dispose of all packaging carefully and responsibly.

## Care and maintenance

Only clean using a damp cloth and mild detergent, do not use bleach or abrasive cleaners.

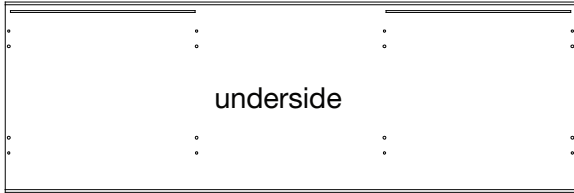
From time to time check that there are no loose screws on this unit.

This product should not be discarded with household waste. Take to your local authority waste disposal centre.

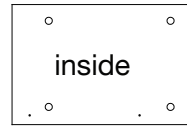
# Components - Parts

If you have damaged or missing components, call the **Customer Helpline**: 0345 6400 800

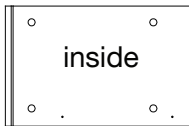
Please check you have all the parts listed below



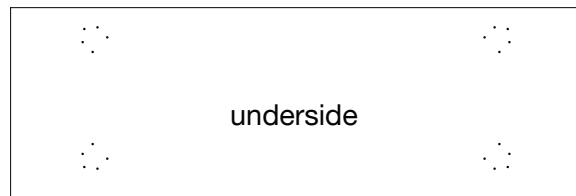
**1** Top panel  
(120x40x1.5cm)



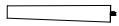
**2** Side panel (right)  
(38x20x1.5cm)



**3** Side panel (left)  
(38x20x1.5cm)



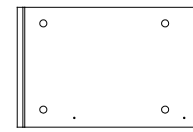
**4** Base panel  
(120x40x1.5cm)



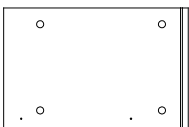
**5** Leg x 4  
(4.5/3x3cm)



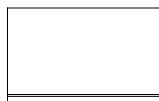
**6** Back panel x 2  
(38.7x20.7x0.3cm)



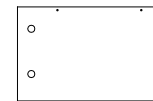
**7** Divider (left)  
(38x20x1.5cm)



**8** Divider (right)  
(38x20x1.5cm)



**9** Drawer back panel x 2  
(31.3x14x1.2cm)



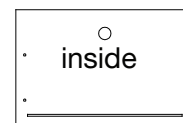
**10** Drawer side panel (right) x 2  
(30x14x1.2cm)



**11** Drawer side panel (left) x 2  
(30x14x1.2cm)



**12** Drawer base panel x 2  
(32x29.5x0.3cm)



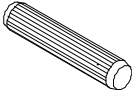
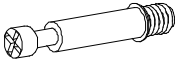



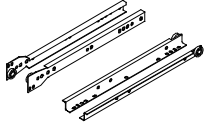
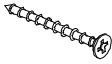
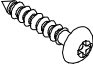

**13** Drawer front x 2  
(36x19.5x1.2cm)

# Components - Fittings

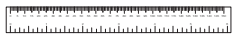
If you have damaged or missing components, call the **Customer Helpline: 0345 6400 800**

Please check you have all the fittings listed below

**Note:** The quantities below are the correct amount to complete the assembly. In some cases more fittings may be supplied than are required.

<p><b>A</b></p>  <p>Wooden dowel x 16 (6X30mm)</p>	<p><b>B</b></p>  <p>Metal dowel x 24</p>	<p><b>C</b></p>  <p>Small locking nut x 8</p>
<p><b>D</b></p>  <p>Large locking nut x 16</p>	<p><b>E</b></p>  <p>Screw x 16 (3x12mm)</p>	<p><b>F</b></p>  <p>Drawer runner x 2 sets (L300mm)</p>
<p><b>G</b></p>  <p>Wood screw x 8 (4x30mm)</p>	<p><b>H</b></p>  <p>Screw x 20 (3x12mm)</p>	<p><b>J</b></p>  <p>Metal bracket x 4</p>

## Tools required

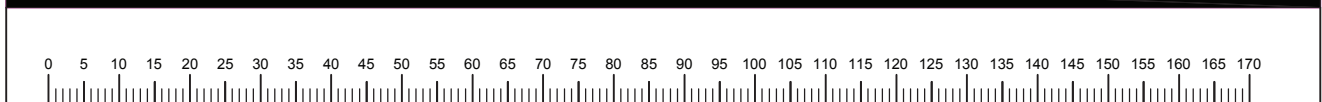


Ruler/tape measure



Phillips screwdriver  
(Not supplied)

## Ruler - Use this ruler to help correctly identify the screws



# Assembly Instructions

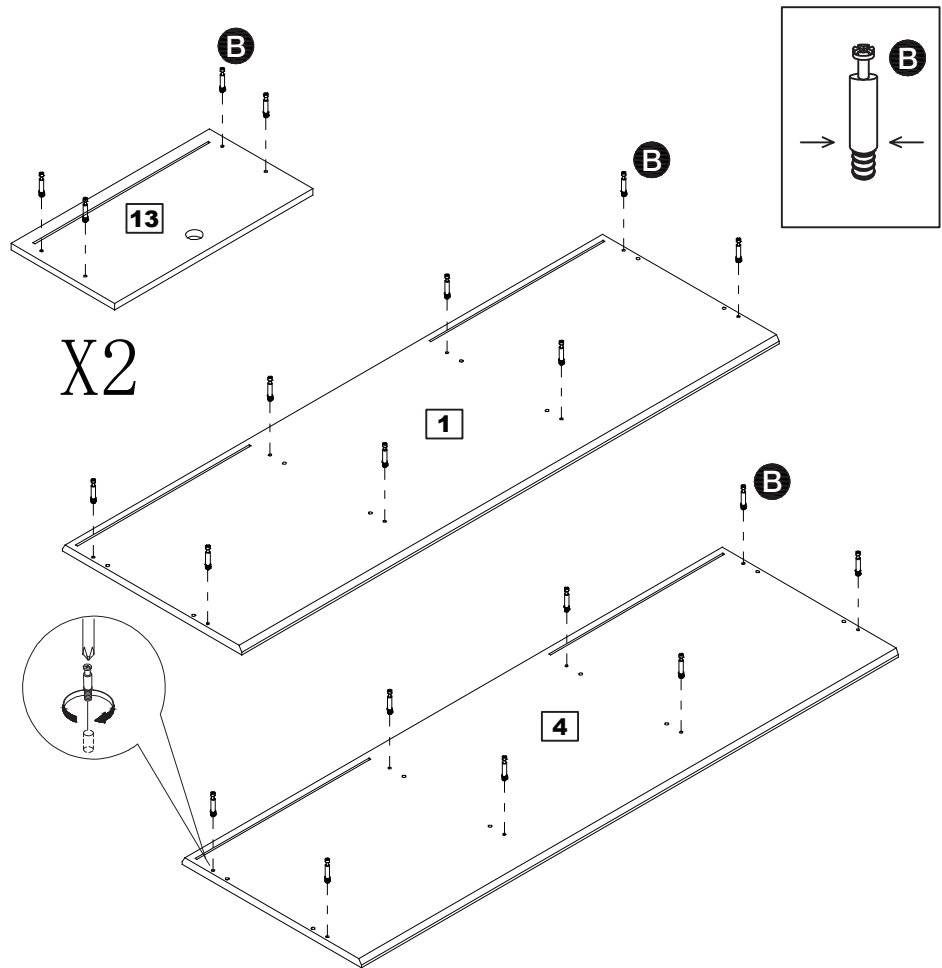
## Step 1

### Preparing panels

Place top panel **1**, base panel **4**, and drawer fronts **13** flat onto the floor with the fixing holes facing up.

Screw metal dowels **B** into each panel as shown.

Screw metal dowels as far as shown. Do not overtighten.



## Step 2

### Assembling panels

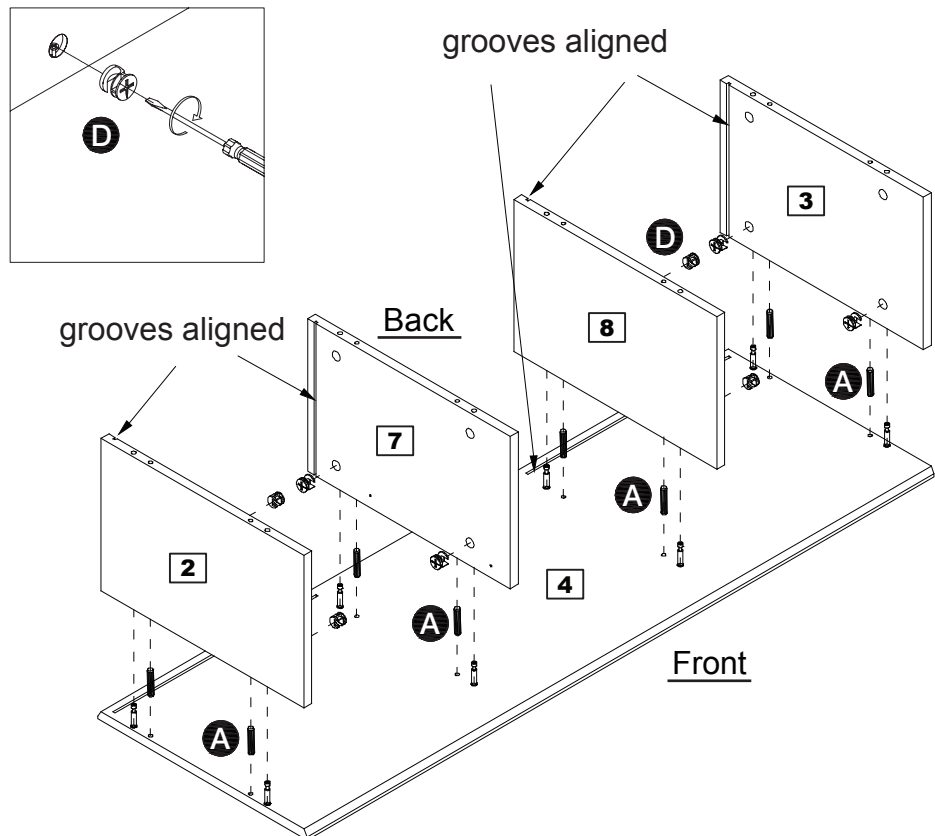
Insert wood dowels **A** into base panel **4** as shown.

Carefully locate side panels **2** and **3** and dividers **7** and **8** onto base panel **4** in the locations shown.

**Note:** Ensure all grooves on the side panels and dividers are correctly located at the back.

Insert large locking nuts **D** into side panels **2** and **3** and dividers **7** and **8**.

Turn locking nuts clockwise to secure.

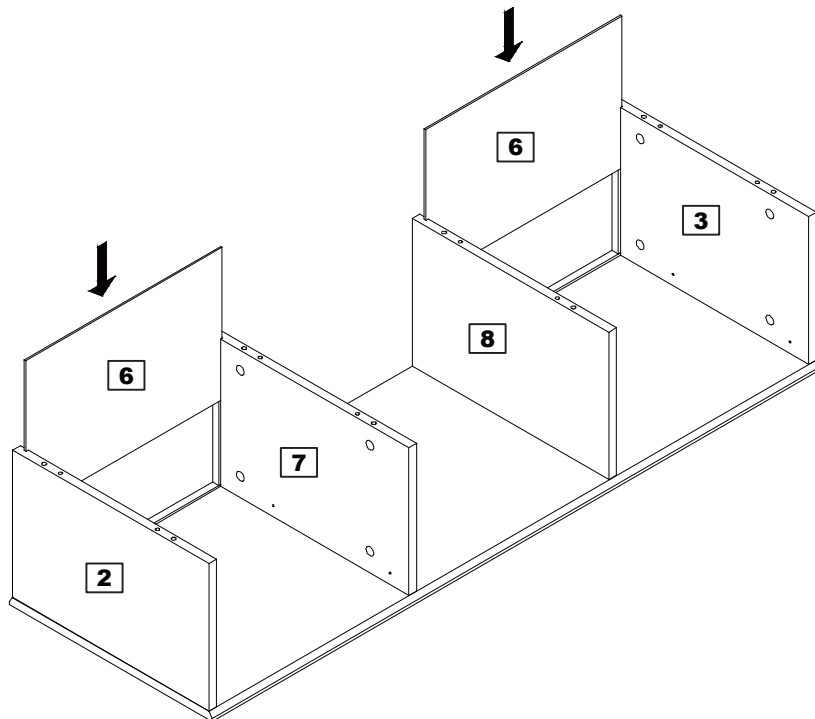


# Assembly Instructions

## Step 3

### Assembling back panel

Carefully slide back panels **6** into the grooves between panels **2** and **7** and **3** and **8** as shown.



## Step 4

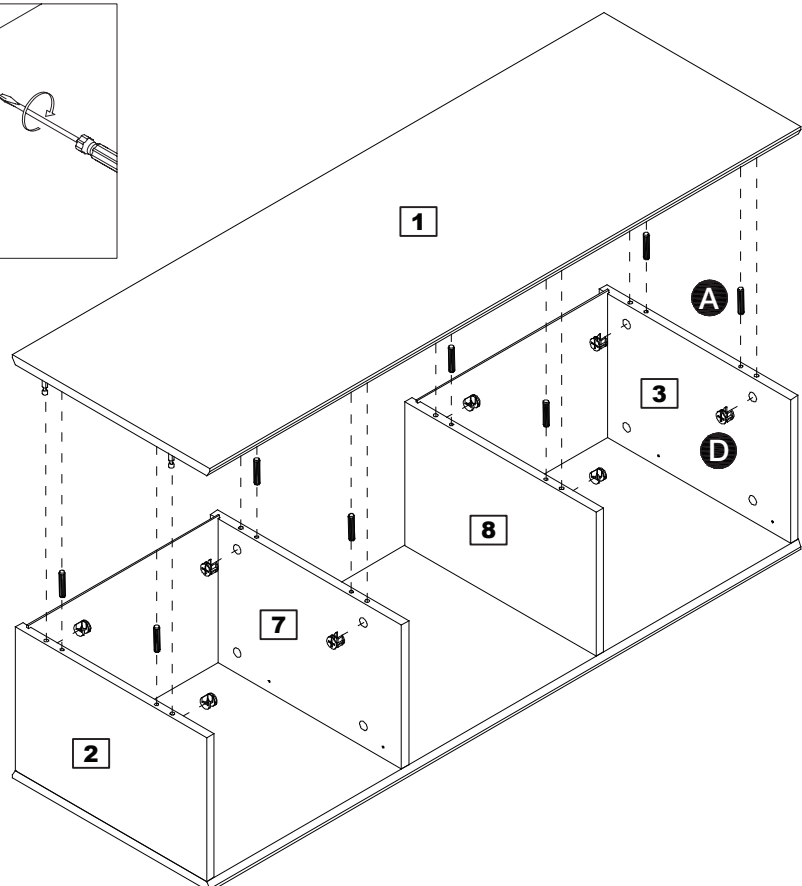
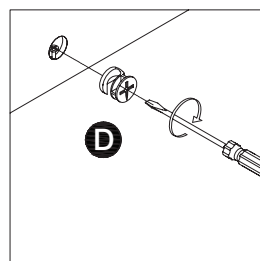
### Assembling top panel

Insert wood dowels **A** into the holes in the top edges of side panels **2** and **3** and dividers **7** and **8**.

With help, carefully locate top panel **1** into position as shown.

Insert large locking nuts **D** into side panels **2**, **3** and dividers **7**, **8**.

Turn locking nuts clockwise to secure.



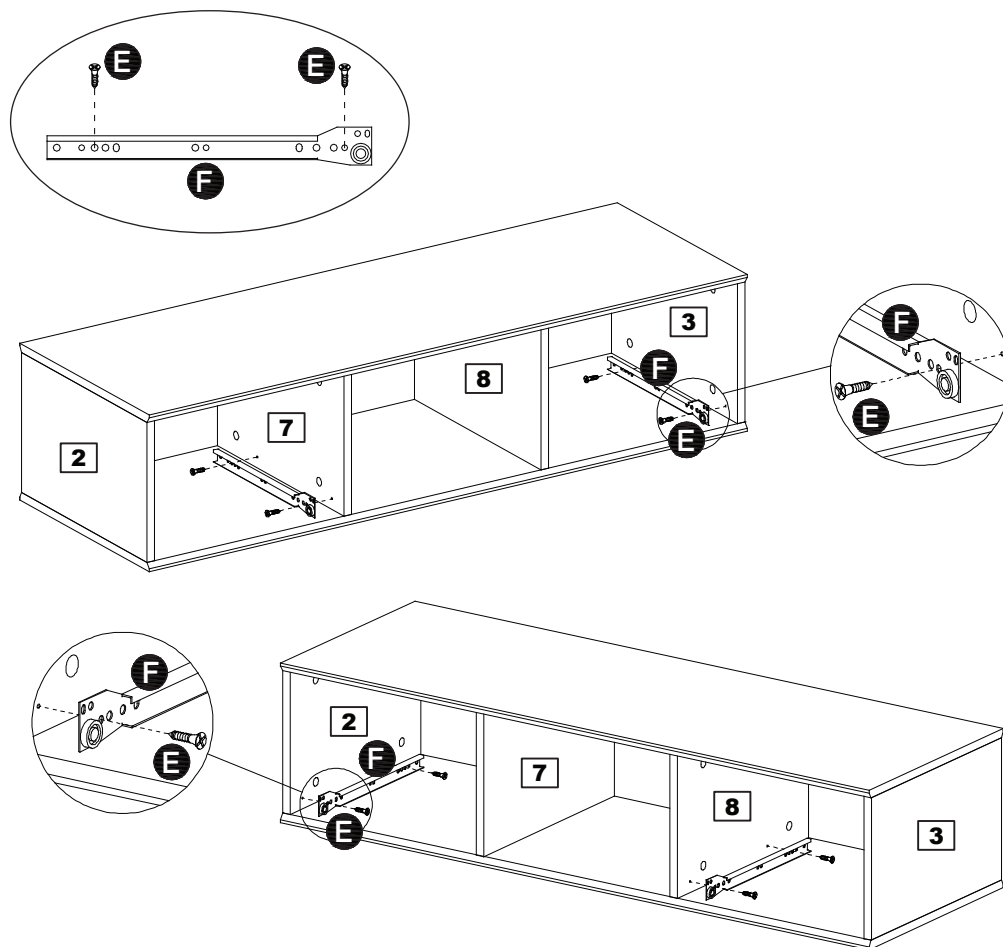
# Assembly Instructions

## Step 5

### Assembling drawer runners

Attach one half of drawer runners **F** onto side panels **2**, **3** and dividers **7**, **8** as shown. Secure with screws **E**.


**Note:** the correct fixing hole positions are shown on the drawings.



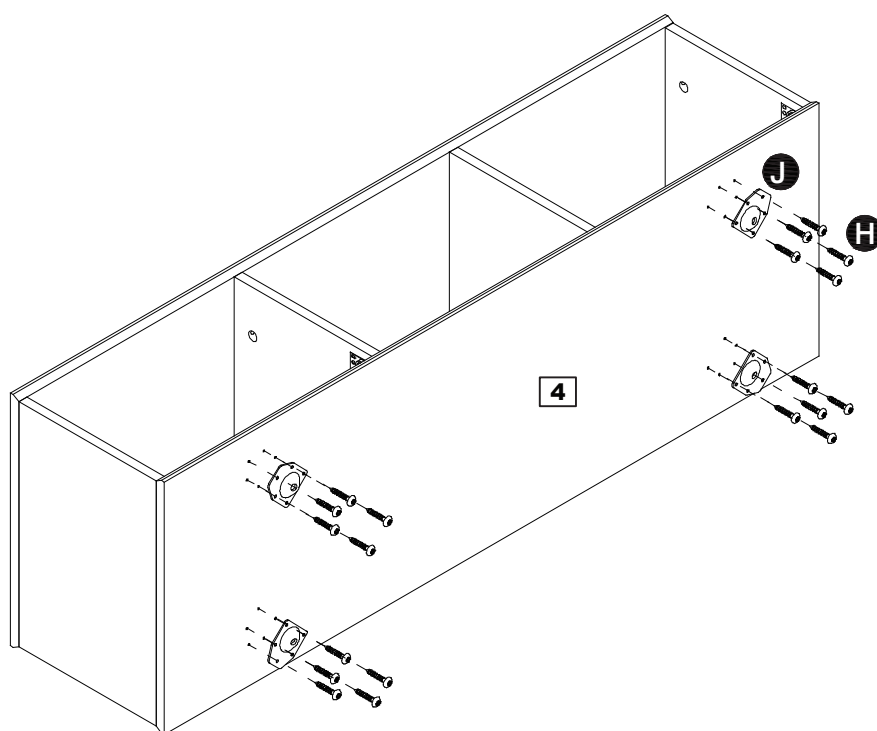
## Step 6

### Preparing base

With help, carefully turn the unit onto its back.

 **Warning:** The unit is heavy. Lift with care.

Secure metal brackets **J** to base panel **4** using screws **H**.



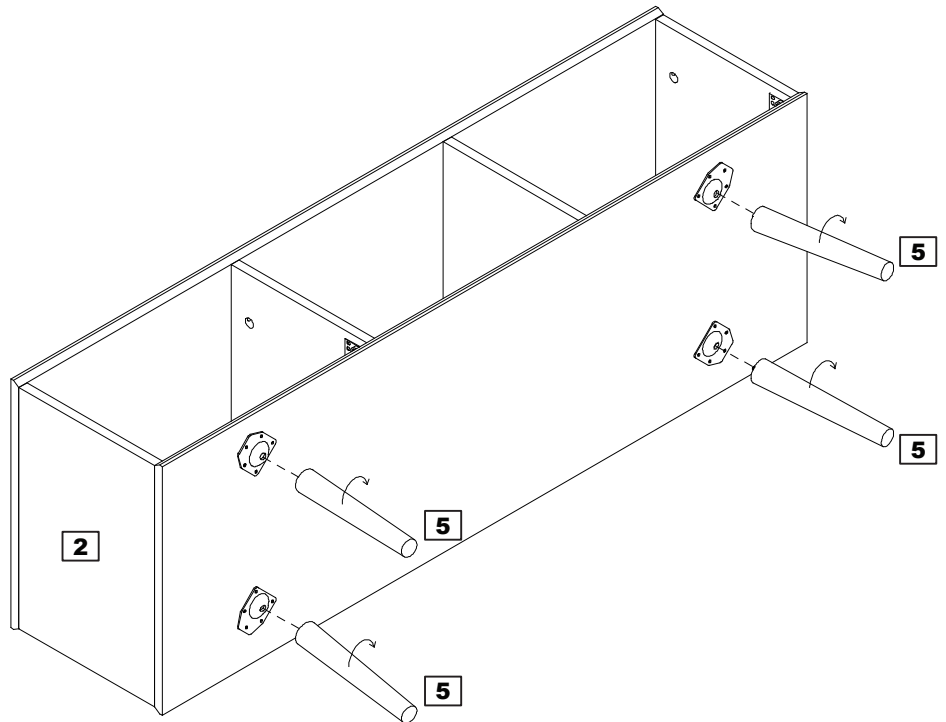
# Assembly Instructions

## Step 7

### Attaching legs

Screw legs **5** onto metal brackets **J** until they are secure.

Do not overtighten.



## Step 8

### Assembling drawers

**a:** Locate drawer side panels **10** and **11** onto drawer front **13**.

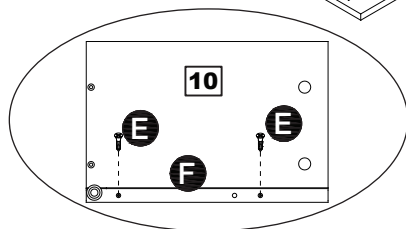
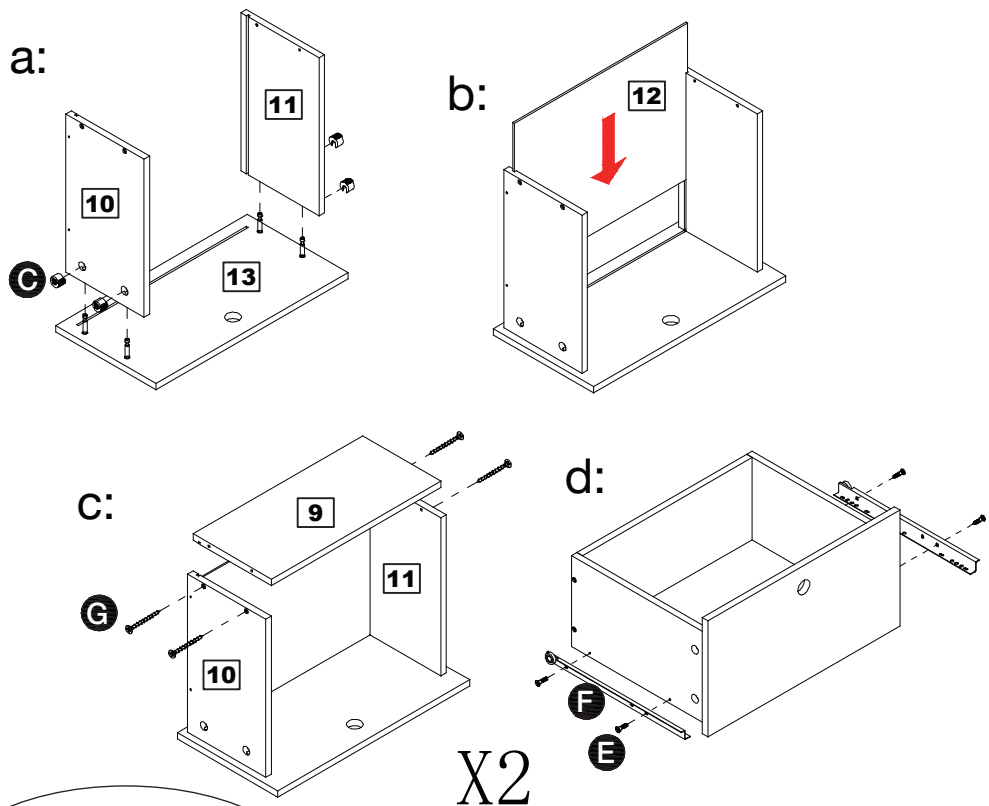
**Note:** Ensure all grooves are correctly located at the bottom.

Insert small locking nuts **C** into drawer side panels **10** and **11**. Turn locking nuts clockwise to secure.

**b:** Slide drawer base panel **12** into the grooves.

**c:** Locate drawer back panel **9** in between drawer side panels **10** and **11**. Secure using screws **G**.

**d:** Locate drawer runners **F** onto each side of the drawer body. Secure using screws **E**. Repeat for both drawers.






# Assembly Instructions

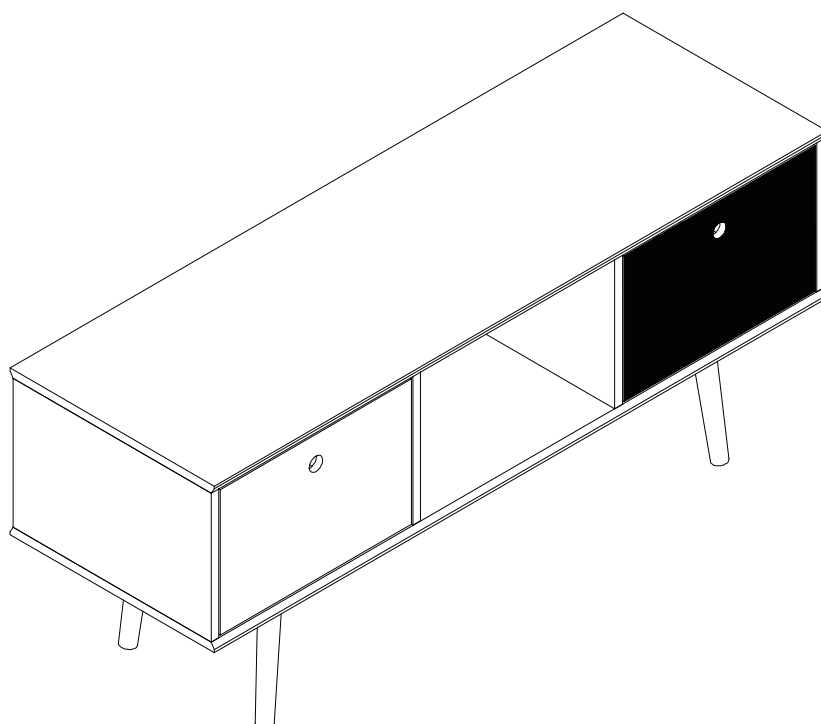
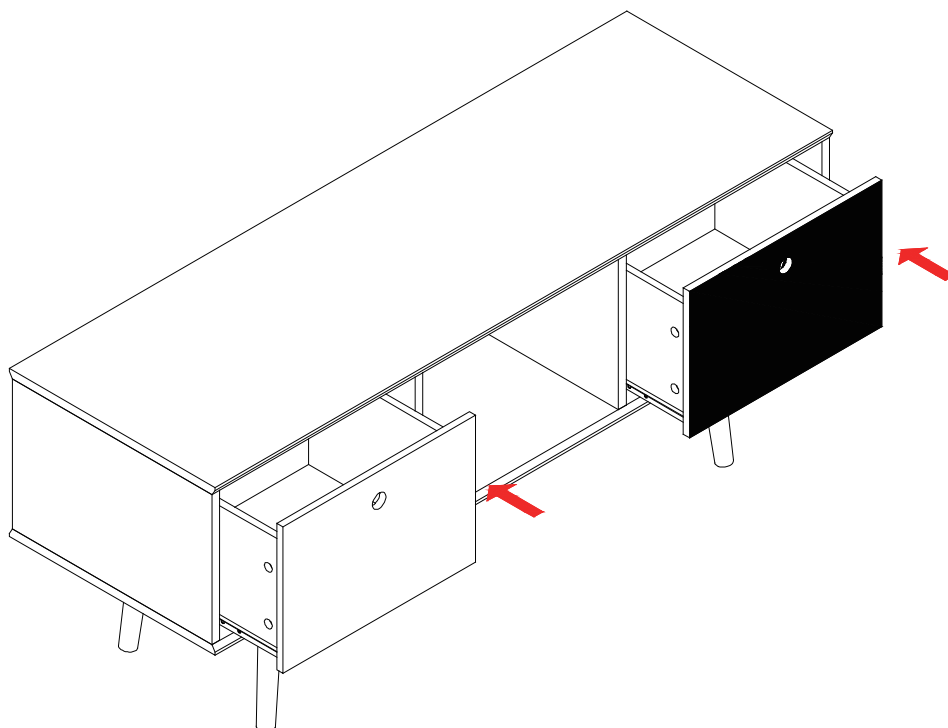
## Step 9

### Locating drawers

With help, turn the whole unit upright.

 **Warning:** The unit is heavy. Lift with care.

Carefully slide drawers into position as shown.



**Assembly is complete.**

If you need help or have damaged or missing parts, call the **Customer Helpline: 0345 6400 800**  
Home Retail Group, 489-499 Avebury Boulevard, Saxon Gate West, Central Milton Keynes, MK9 2NW