

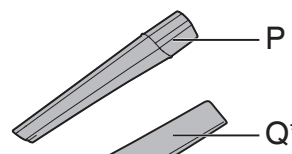
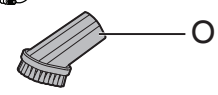
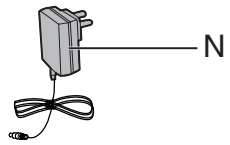
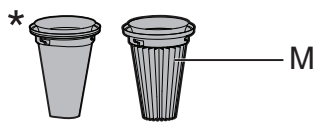
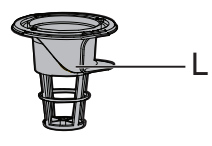
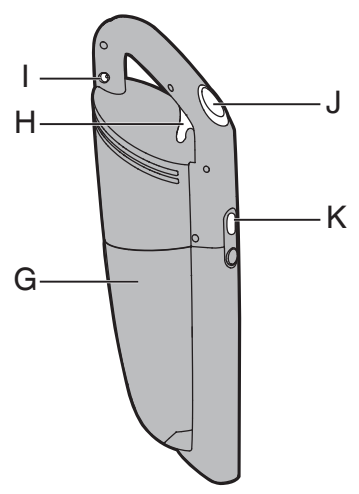
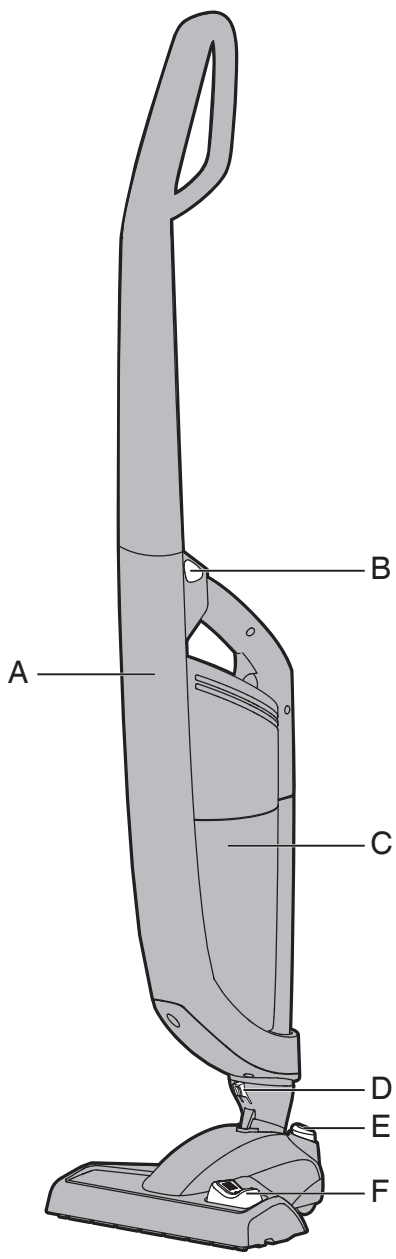
# HOOVER

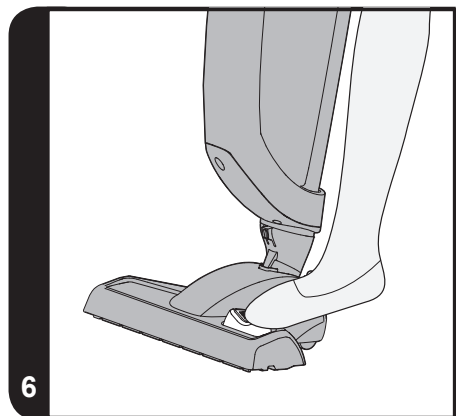
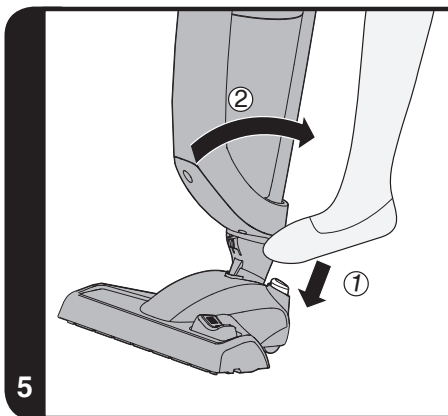
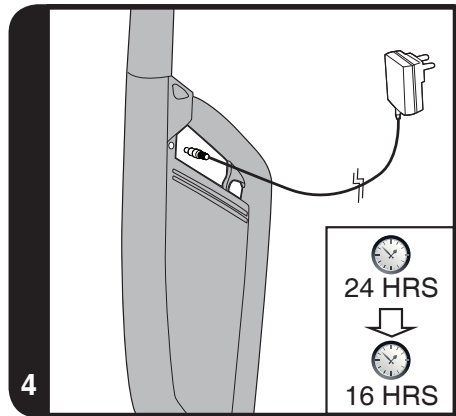
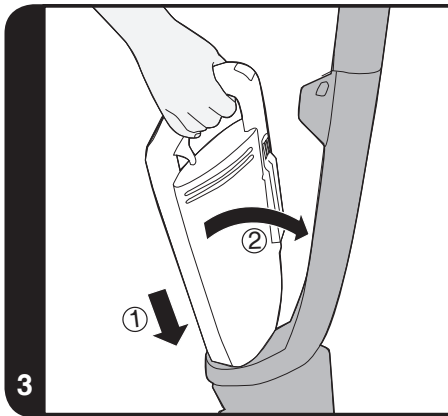
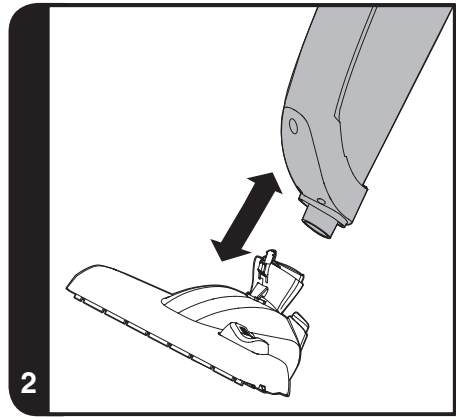
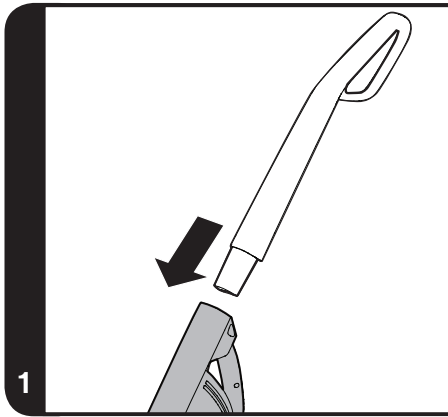
## INSTRUCTION MANUAL

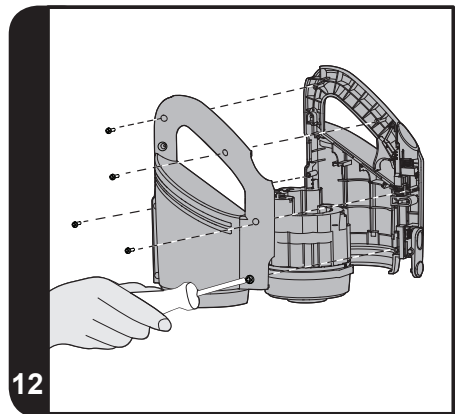
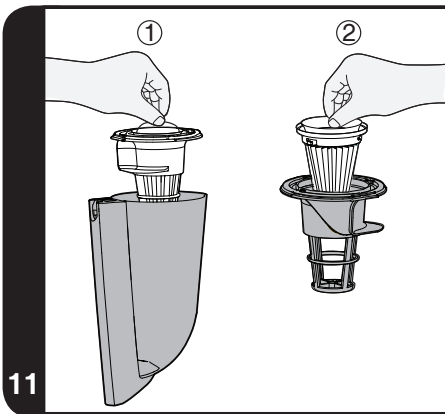
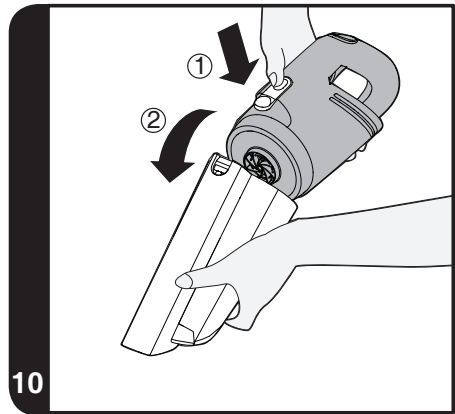
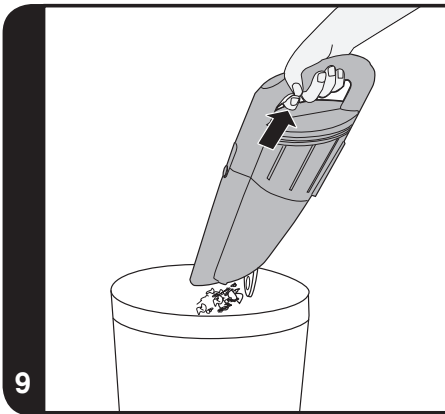
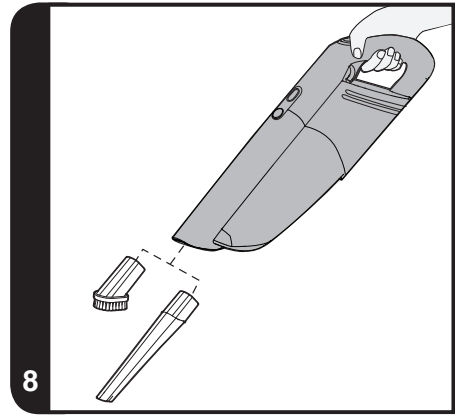
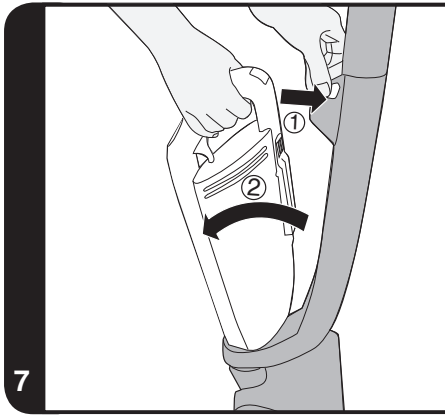


GENERATION FUTURE









## INSTRUCTIONS FOR SAFE USE

This appliance should only be used for domestic cleaning, as described in this user guide. Please ensure that this guide is fully understood before operating the appliance.

Always switch off and remove the charger from the socket before cleaning the appliance or any maintenance task.

This appliance can be used by children aged from 8 years and above and persons with reduced physical, sensory or mental capabilities or lack of experience and knowledge if they have been given supervision or instruction concerning use of the appliance in a safe way and understand the hazards involved. Children shall not play with the appliance. Cleaning and user maintenance shall not be made by children without supervision.

If the power cord is damaged stop using the appliance immediately. To avoid a safety hazard, an authorised Hoover service engineer must replace the power cord.

Keep hands, feet, loose clothing and hair away from rotating brushes.

Use only the original charger supplied with the appliance.

Check that your supply voltage is the same as that stated on the charger.

This appliance is supplied with a double insulated battery charger which is only suitable for insertion in a 230V (UK 240V) socket outlet.

Plug the charger in to suitable socket outlet and connect the power cord connector to the DC socket on the appliance. **[4]**

When charging the appliance, the power switch must be off.

Before first use, charge your appliance for 24 hours.

Do plug in the charger after use to recharge the batteries.

It is normal for the charger to become warm to the touch when charging.

Do not unplug the charger by pulling on the power cord.

Unplug the charger in the event of prolonged absence (holidays, etc.). Recharge appliance again before use as batteries may self discharge over increased periods of storage.

If the appliance is to be disposed of the batteries must first be removed. The appliance must be disconnected from the supply mains when removing the battery. Dispose of the batteries safely.

Run the appliance until it stops because the batteries are fully discharged. Used batteries should be taken to a recycling station and not disposed of with household waste. To remove the batteries, please contact the Hoover Customer Centre or proceed according to the following instructions.

**IMPORTANT:** Always fully discharge the batteries before removal and ensure the charger is unplugged.

1. Run the cleaner until the batteries are completely empty.
2. Remove the ergonomic handle and the screws, in the main body to open the cleaner. [12]
3. Remove the motor battery housing and disconnect the cables.
4. Remove the batteries from the housing.

**NOTE:** Should you experience any difficulty in dismantling the unit or for more detailed information on treatment, recovery and recycling of this appliance, please contact your local city office or your household waste disposal service.

**DO NOT** expose the batteries to a room temperature above 40°C.

Use only attachments, consumables or spares recommended or supplied by Hoover.

**Static electricity:** Some carpets can cause a small build up of static electricity. Any static discharge is not hazardous to health.

**Do not** use your appliance out of doors or on any wet surface or for wet pick up.

**Do not** pick up hard or sharp objects, matches, hot ashes, cigarette ends or other similar items.

**Do not** spray with or pick up flammable liquids, cleaning fluids, aerosols or their vapours.

Do not run over the power cord when using your appliance or remove the plug by pulling on the power cord.

Do not continue to use your appliance or charger if it appears faulty.

**Hoover service:** To ensure the continued safe and efficient operation of this appliance we recommend that any servicing or repairs are only carried out by an authorised Hoover service engineer.

**Do not** use the appliance to clean animals or people.

**Do not** replace the batteries with non-rechargeable batteries.

Do frequently clean the dust cup and filter assembly.

**The Environment:**

This appliance is marked according to the European directive 2011/65/EC on Waste Electrical and Electronic Equipment (WEEE). By ensuring this product is disposed of correctly, you will help prevent potential negative consequences for the environment and human health, which could otherwise be caused by inappropriate waste handling of this product. The symbol on the product indicates that this product may not be treated as household waste. Instead it shall be handed over to the applicable collection point for the recycling of electrical and electronic equipment. Disposal must be carried out in accordance with local environmental regulations for waste disposal. For more detailed information about treatment, recovery and recycling of this product, please contact your local city office, your household waste disposal service or the shop where you purchased the product.



This product complies with the European Directives 2006/95/EC, 2004/108/EC and 2011/65/EC.

Hoover Limited Pentrebach, Merthyr Tydfil, Mid Glamorgan CF48 4TU



## PRODUCT COMPONENTS

### Main Cleaner

- A. Main Body
- B. Push and Go Release Button
- C. Handheld Cleaning Unit
- D. Nozzle Release Button
- E. Parking Lock
- F. Nozzle Mode Selector

### Handheld cleaner

- G. Dust Container
- H. Bin Release Button
- I. Charge Socket
- J. On/Off Switch
- K. Bin Release Button

### Filters

- L. Shroud
- M. Filter\*

### Accessories

- N. Charger
- O. Dusting Brush
- P. Crevice Tool
- Q. Rigid Extension Tube\*

## PREPARING YOU CLEANER

1. Assembly the handle by pushing it onto the main body until it locks in place [1].
2. Assembly the nozzle onto the neck of the main body. It will lock in place to remove press the nozzle release button (D) and pull it from the main body [2].
3. Assembly the handheld cleaning unit to the main body [3].
4. Insert charger to handheld cleaning unit. For first use charge your cleaner for 24 Hrs [4]. After first use the normal charging time is 16 Hrs.

**NOTE:** Use only the charger supplied with your cleaner to recharge.

**IMPORTANT:** When charging the cleaner the On/Off switch must be OFF.

Keep the charger plugged into the socket at all times. It is normal for the charger to become warm to the touch when charging.

If the operating times reduces after repeated use let the cleaner run until it stops then recharge for 24 hours, repeat this monthly for best results.

## USING YOUR CLEANER

1. Prepare your cleaner for use by releasing the parking lock on the nozzle [5].
2. Turn on your cleaner by pressing the On/Off switch on the handheld cleaning unit (J).
3. Use the nozzle mode selector to change between carpet and hard floor mode [6].
4. To use as a handheld cleaner press the "Push and Go" button to remove the handheld cleaning unit from the main body [7].
5. The supplied accessories can be used in handheld mode [8].

## CLEANER MAINTENANCE

### Emptying the Dust Container

Hold the handheld cleaning unit over a bin and pull the bin empty trigger to empty the dust container [9].

### Cleaning the Filters

1. Remove the handheld cleaning unit from the main body [7].
2. Press the bin release button and remove the dust container [10].
3. Remove the filter and shroud from the dust container [11].
4. Wash the filter and shroud in lukewarm water. Once thoroughly dry return them to the dust container.

**NOTE:** Do not use hot water or detergents when cleaning the filters. In the unlikely event of the filters becoming damaged, fit a genuine HOOVER replacement. Do not try and use the product without a filter fitted.

\* Features vary according to model

## End of Product Life Battery Disposal

If your cleaner is to be disposed of, the batteries should be removed. Used batteries should be taken to a recycling station and not disposed of with household waste.

**IMPORTANT:** Always fully discharge the batteries before removal.

1. Run the unit until the batteries are flat.
2. Remove the handheld unit from the main body [7].
3. Press the bin release button and remove the dust container [10].
  
4. Remove 6 screws and to open the handheld cleaning unit [12].
5. Remove the Battery/Motor housing and disconnect the cables [12].
6. Remove the batteries from the housing [12].

**NOTE:** Should you experience any difficulties in dismantling the unit or for more detailed information about treatment, recovery and recycling of this product, please contact your local city office or your household waste disposal service.

## HOOVER SPARES AND CONSUMABLES

Always replace parts with genuine HOOVER spares. These are available from your local HOOVER dealer or direct from HOOVER. When ordering parts always quote your model number.

**IMPORTANT:** The battery in this cleaner is guaranteed for 6 months from purchase. After 6 months the customer is liable for the cost of a new battery which will be fitted free of charge by an authorised HOOVER engineer.

### Consumables

- Pre motor HEPA filter: S93 35600860
- Carpet & floor nozzle: G143 35601364

### Spares

- Handheld unit: 48007063
- Charger 12V: 48007064
- Charger 14.4V: 48007065
- Charger 18V: 48007066

## YOUR GUARANTEE

The guarantee conditions for this appliance are as defined by our representative in the country in which it is sold. Details regarding these conditions can be obtained from the dealer from whom the appliance was purchased. The bill of sale or receipt must be produced when making any claim under the terms of this guarantee.

Subject to change without notice.



®

GENERATION FUTURE

PRINTED IN P.R.C.  
48007739/01