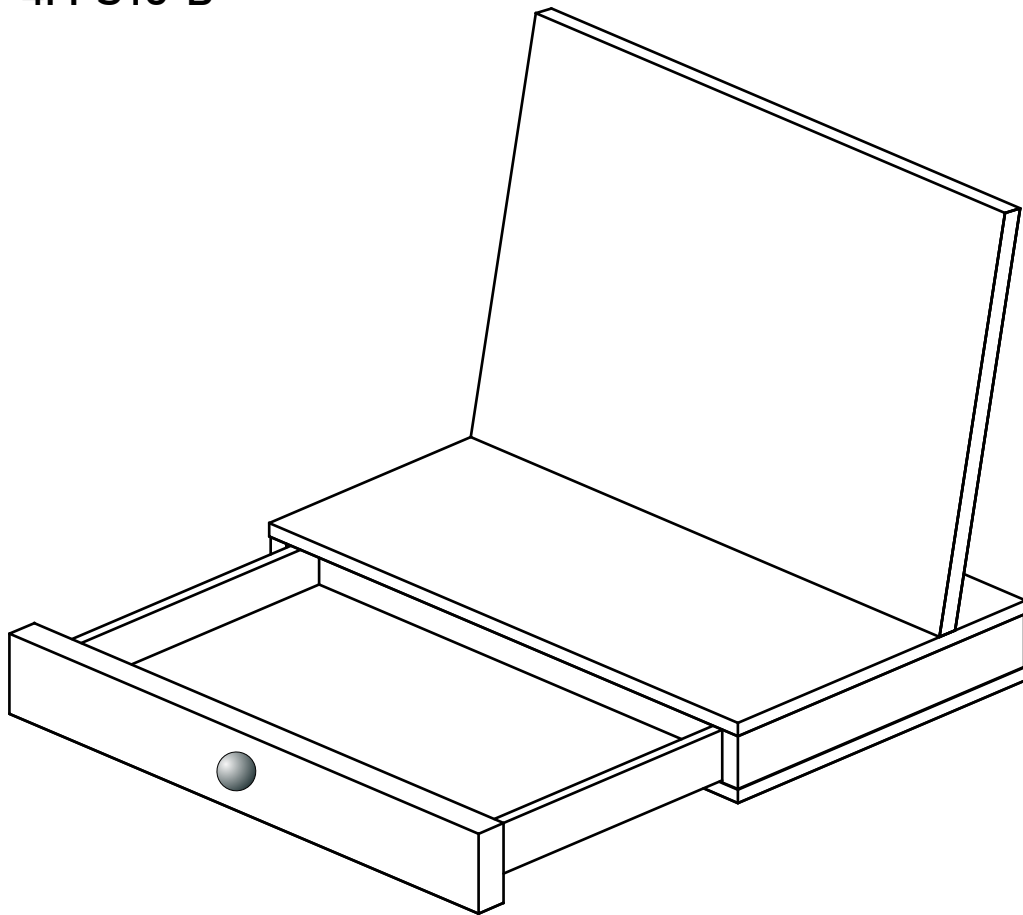


Fleur  
Fleur Mirror PK 1.2

habitat 

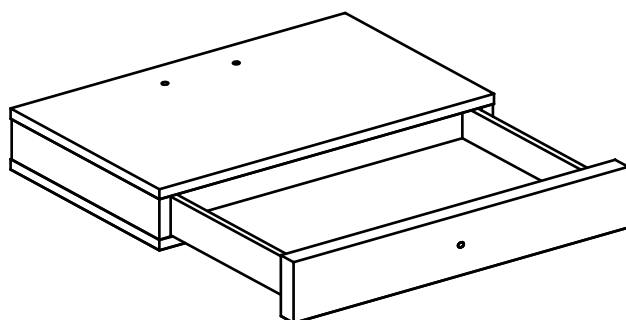
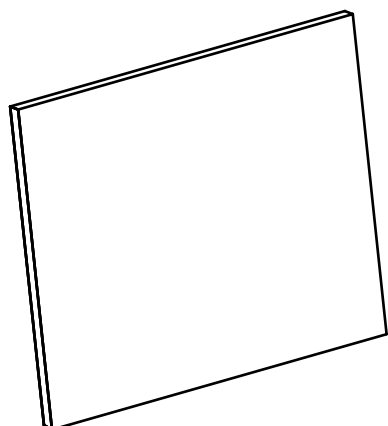
210936  
FLEU-4M-S13-B



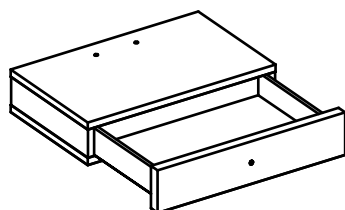
habitat 

# Components

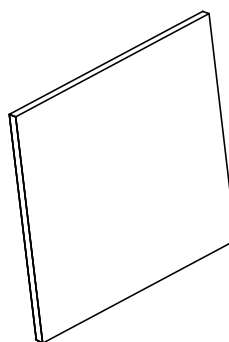
Please check you have all the parts listed below



1 Body



2 Mirror







Retain batch code label



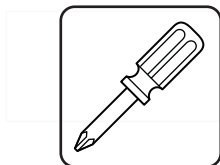
# Components -Fittings

---

Please check you have all the fittings listed below

<b>A</b> Screw x 2 	<b>B</b> Hex key x 1 (4mm.) 	<b>C</b> Silicone Pads x 4 
<b>E</b> Grain stickers x 2 		

## Tools required



### IMPORTANT - PLEASE READ THESE INSTRUCTIONS FULLY BEFORE STARTING ASSEMBLY

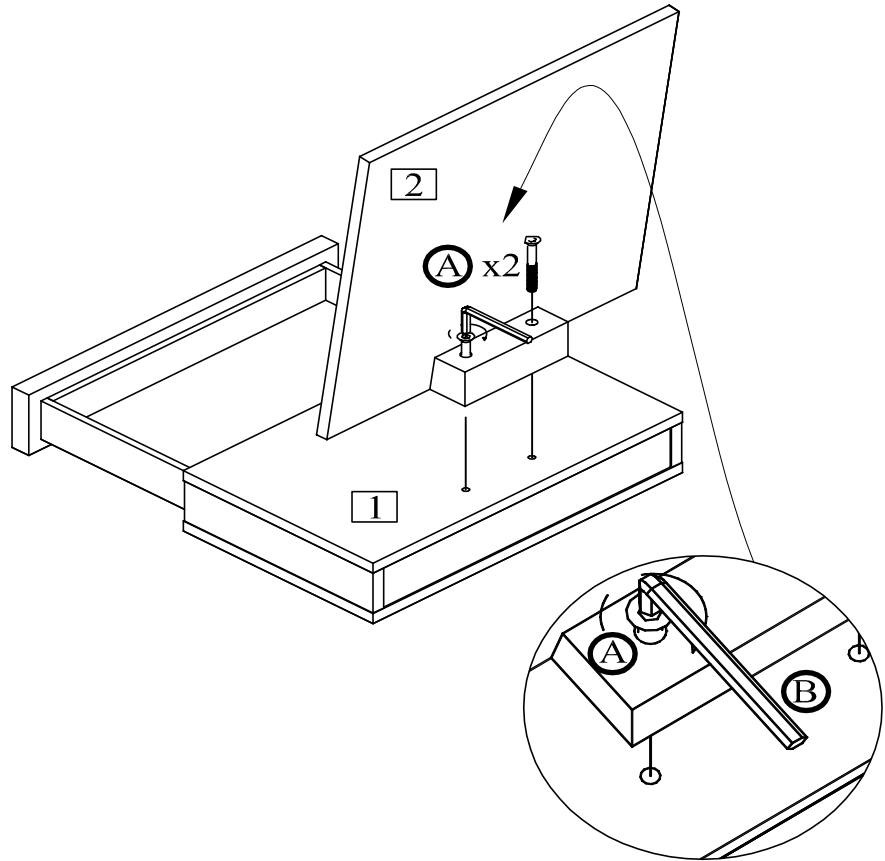
Before assembling the furniture please identify all component parts.  
Keep children and animals away from the work area, small parts could choke if swallowed.  
Assemble the item as close to its final position (in the same room) as possible.  
Make sure you have enough space to layout the parts before starting.  
Assemble on a soft level surface to avoid damaging the unit or your floor.  
We do not recommend the use of power drill/drivers for inserting screws, as this could damage the unit. Only use hand screwdrivers.

Dispose of all packaging carefully and responsibly.

# Assembly instructions

## Step 1

Using Hex-key **(B)** attach legs **(2)** to the body **(1)** with 8 **(A)** screws.



**(A)** x2

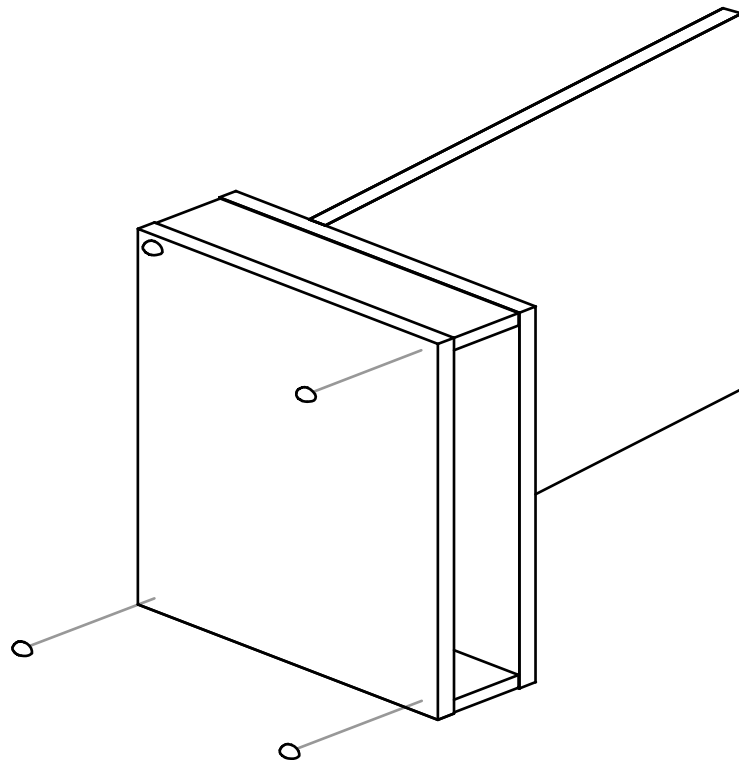


**(B)**



## Step 2

Attach silicone pads **(C)** under the legs.

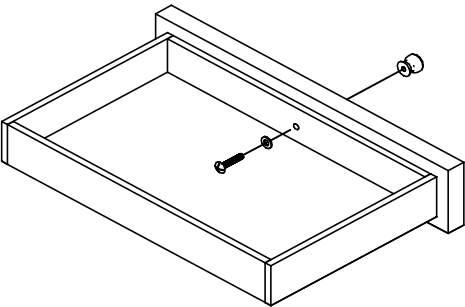




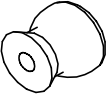
**(C)** x4



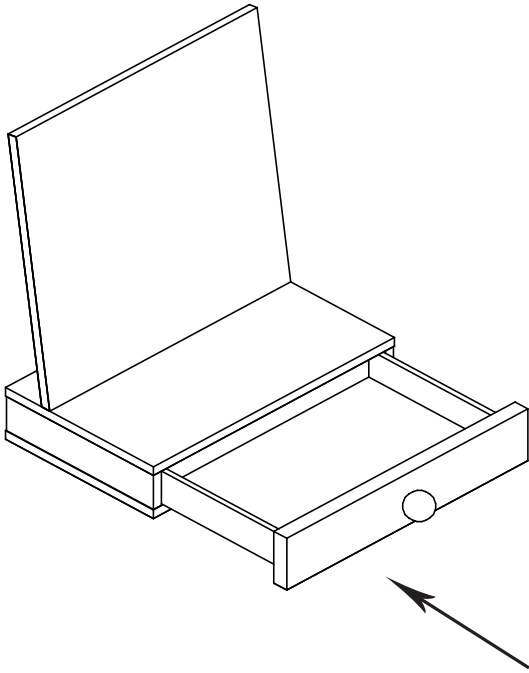
# Assembly Instructions

Step 3



	x 1
	x 1
	x 1

Step 4



## Care instructions

---

Regular dusting with a dry cloth will keep your units clear.

Clean marks with a damp cloth.

Do not allow spillages to stay on the surface for long.

Do not use abrasive cleaners.

Do not clean with products containing the following:

Acetone, (e.g. nail varnish remover).

Ammonia (e.g. bleach). or Sodium hydroxide (e.g. Caustic soda, drain and oven cleaners).

Use place mats to protect the surface from moisture and heat.

If for any reason you should have problems with your Habitat product, please contact the store from which you purchased it.

Please retain your receipt as proof of purchase.

If you have any comments or suggestions regarding this product, assembly instructions or service, please contact the store or

Habitat Head Office via its web site:

**[www.habitat.co.uk](http://www.habitat.co.uk)**

or write directly to:

**Habitat Retail Ltd.  
489-499 Avebury Boulevard,  
Milton Keynes MK9 2NW**