

Gemini TV Bed

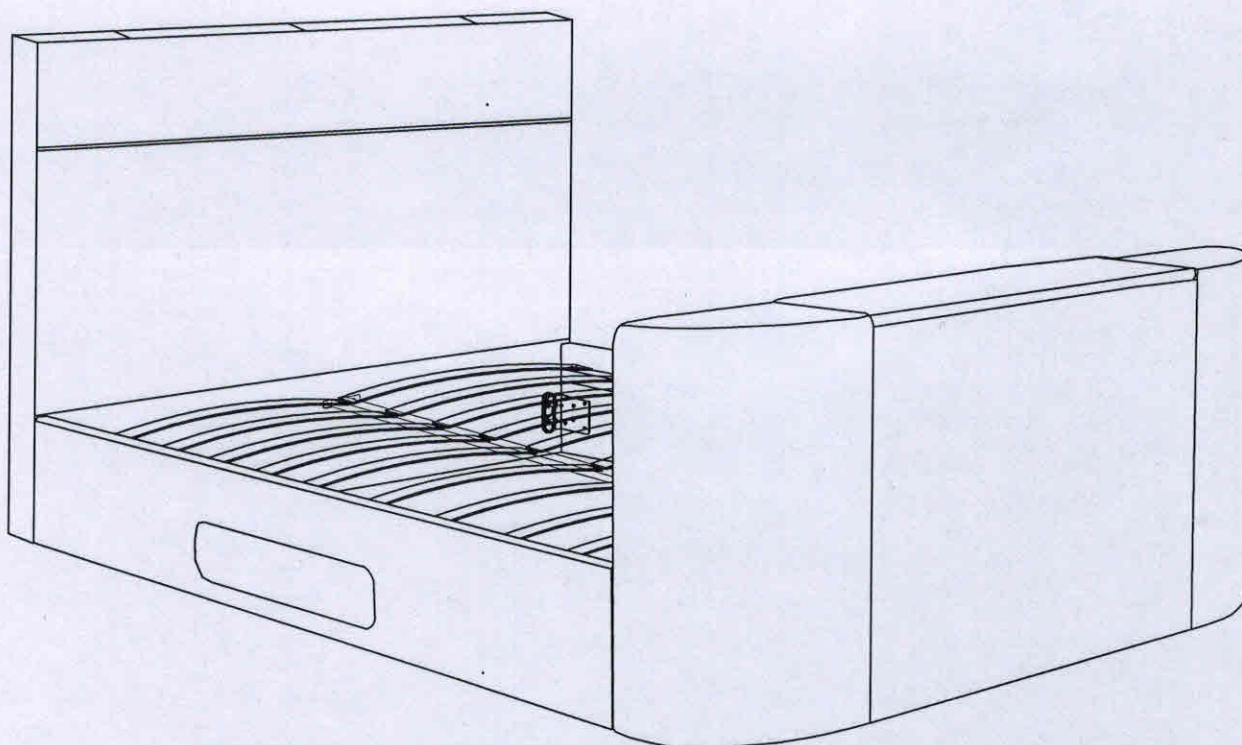
Assembly Instructions - Please keep for future reference

413/8741

402/2651

408/9931

hygena



Dimensions

Width x Depth x Height

221.5cm x 145cm x 77/99cm (Double)

231.5cm x 159.5cm x 77/99cm (King)

231.5cm x 189cm x 77/99cm (Super King)

Important - Please read these instructions fully before starting assembly

If you need help or have damaged or missing parts, call the Customer Helpline:

Argos = 0345 6400800



Safety and Care Advice

Important – Please read these instructions fully before starting assembly

- Check you have all the components and tools listed on the following pages.

- Remove all fittings from the plastic bags and separate them into their groups.

- Keep children and animals away from the work area, small parts could choke if swallowed.

- Make sure you have enough space to layout the parts before starting.

- During assembly do not stand or put weight on the product, this could cause damage.

- Assemble the item as close to its final position (in the same room) as possible.

- Assemble on a soft level surface to avoid damaging the unit or your floor.

- Parts of the assembly will be easier with 2 people.



power drill is set on a low torque setting.

- To reduce the likelihood of damaging your product please ensure that your

Care and maintenance

- Only clean using a damp cloth and mild detergent, do not use bleach or abrasive cleaners.

- From time to time check that there are no loose bolts or screws on this unit.

- This product should not be discarded with household waste. Take to your local authority waste disposal centre.

Handy Hints

- Assemble all parts and bolts loosely during assembly, only once the product is complete should you fully tighten the bolts.

- Regularly check and ensure that all bolts and fittings are tightened properly.

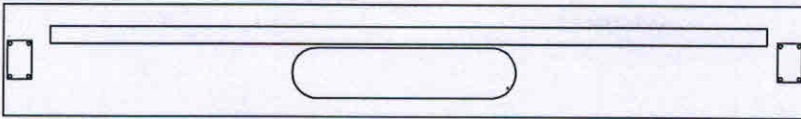
- 32 inches is the maximum dimension of the TV suitable for this TV bed and thickness is 9cm.

Note: if required the next page can be cut out and used as reference throughout the assembly. Keep this page with these instructions for future reference.

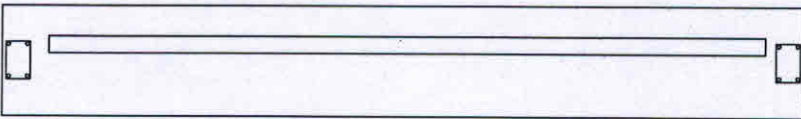
Components

If you have damaged or missing components, call the Customer Helpline: Argos = 0345 6400800

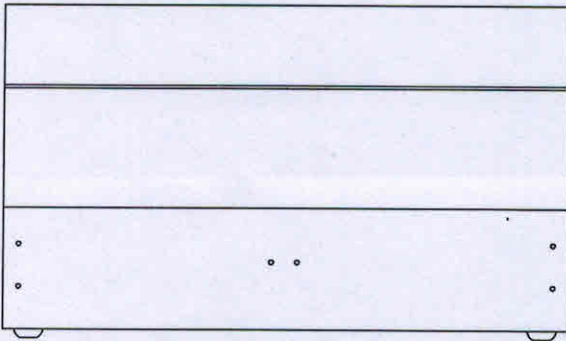
Please check you have all the parts listed below



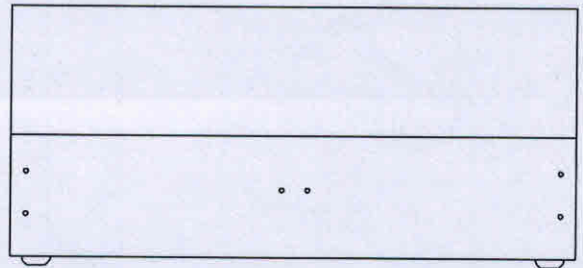
1 Side rail with DVD opening



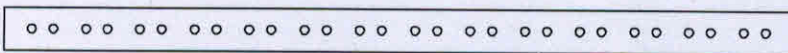
2 Side rail



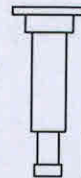
3 Headboard



4 Footboard



5 Central support rail



6 Feet x 2



7 Slats x 26 (double) or x 28 (king & s-king)



8 End slat caps x 26 (double) or x 28 (king & s-king)



9 Central slat caps x 13 (double) or x 14 (king & s-king)



10 DVD Tray


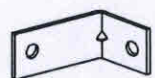


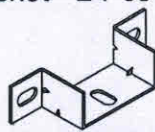
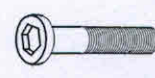
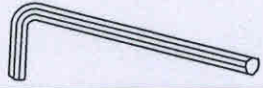


11 DVD Tray Feet x 2



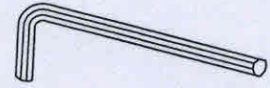
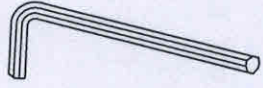

Components - Fittings

Please check you have all the parts listed below

Note: The quantities below are the correct amount to complete the assembly. In some cases more fittings may be supplied than are required.

<p>(A) Bolt M8x18mm - 8 Pcs</p> 	<p>(B) Bracket - 2 Pcs</p> 	<p>(C) Flat Washer(M8)-12 Pcs</p> 
<p>(D) Bolt M8X20mm - 10 Pcs</p> 	<p>(E) Bracket - 2 Pcs</p> 	<p>(F) Bolt M8x45mm - 2 Pcs</p> 
<p>(G) Allen key - 1Pc</p> 		

Note: Please know the below fittings are for TV set up.

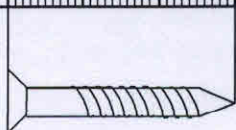
<p>(I) Bolt M8x18mm - 4 Pcs</p> 	<p>(J) Bolt M6x18mm - 4 Pcs</p> 	<p>(K) Allen key(M5) - 1Pc</p> 
<p>(L) Allen key(M4) - 1Pc</p> 	<p>(M) Flat Washer(M8)-4 Pcs</p> 	

Tools required



Phillips screwdriver

Ruler - Use this ruler to help correctly identify the screws



The screws length is measured from the head to the point (30mm screw shown).

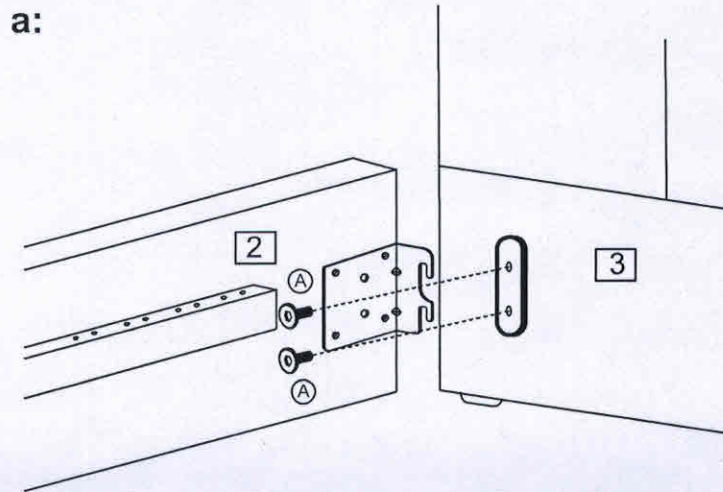
Assembly Instructions

Step 1

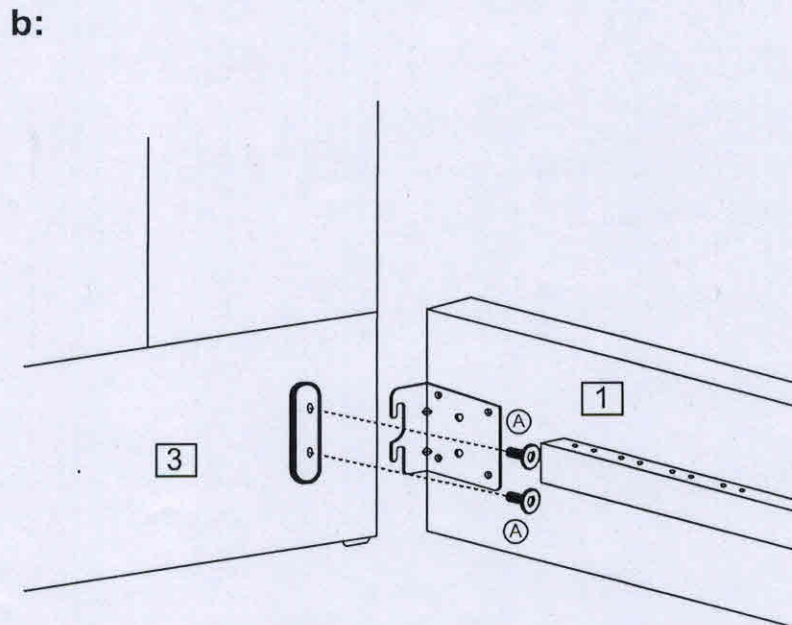
Attaching side rails

a: Position left side rail **2** adjacent to headboard **3** so that the holes in the headboard line up with the bracket on the side rail.

Secure in place with 2 bolts **(A)** using the Allen key provided.



b: Repeat point a for right side rail **1**.
Do not fully tighten at this stage.



Assembly Instructions

Step 2

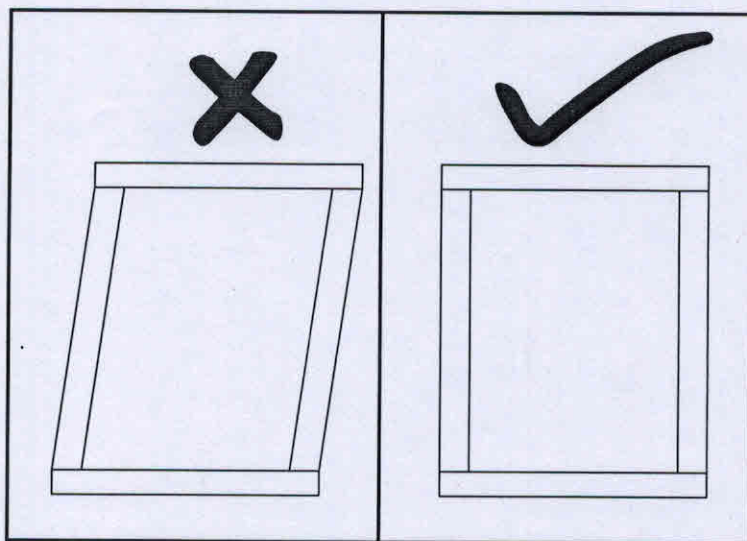
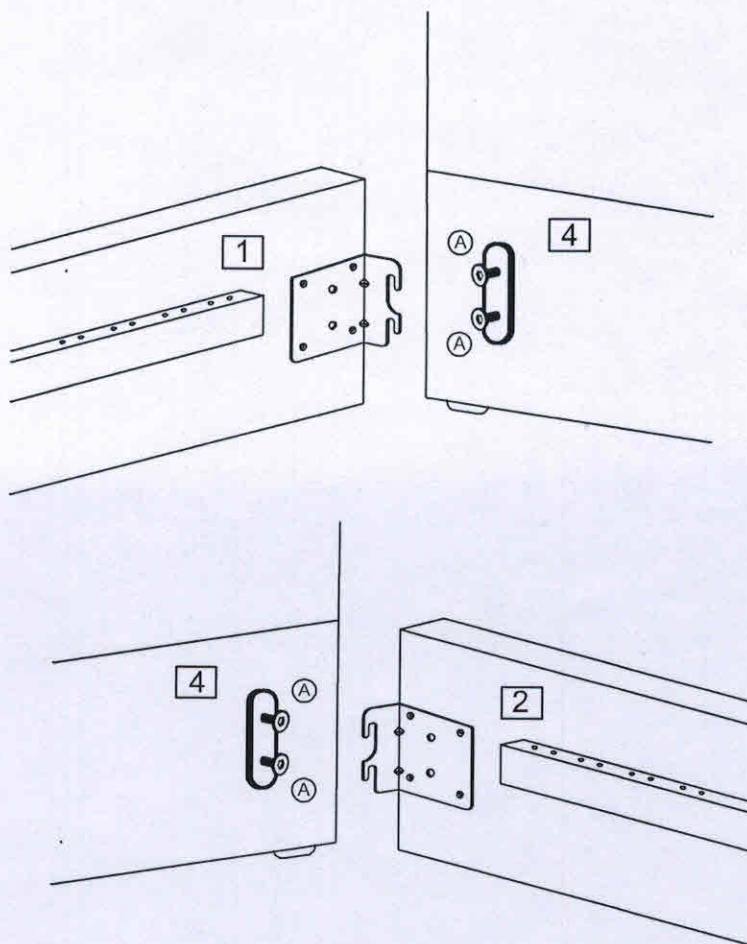
Attaching footboard

Place footboard **4** in position at the end of the side rails **1** & **2** so the holes in the footboard line up with the brackets on the side rail.

Secure in place with bolts **A** using the Allen key provided.

Before tightening the bolts, please ensure the bed frame is square.

Do not fully tighten at this stage.



Assembly Instructions

Step 3

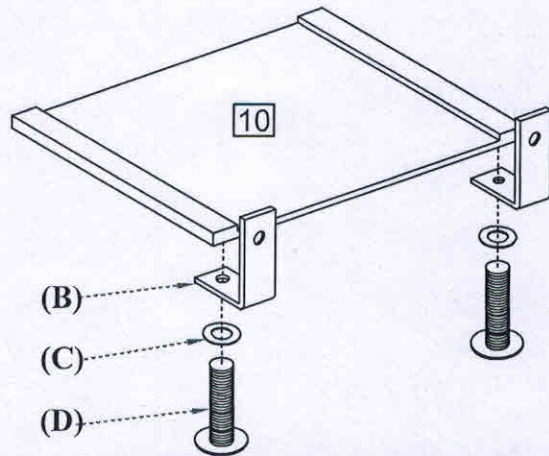
DVD Tray Assembly

a: Attach the L-Shaped Brackets (B) to the underside of the DVD tray (10) using bolt (D) and washer (C) as shown.

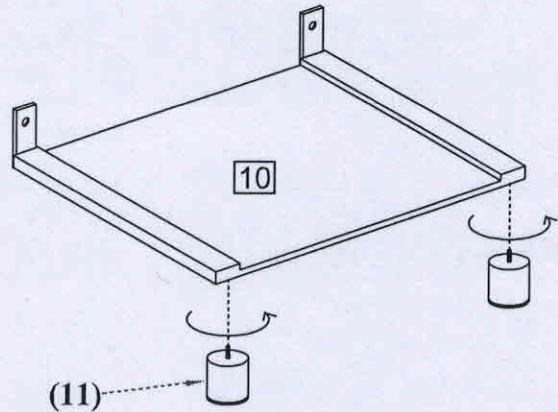
b: Screw the 2 DVD Tray Feet (11) into position on the other side of the DVD Tray (10).

c: Attach the assembled DVD Tray (10) using bolt (D) and washer (C) as shown.

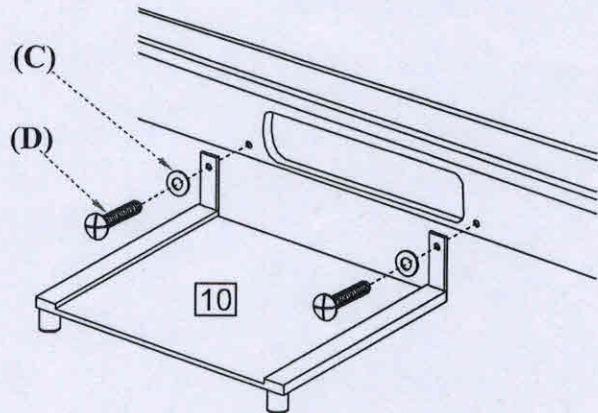
a:



b:



c:



Assembly Instructions

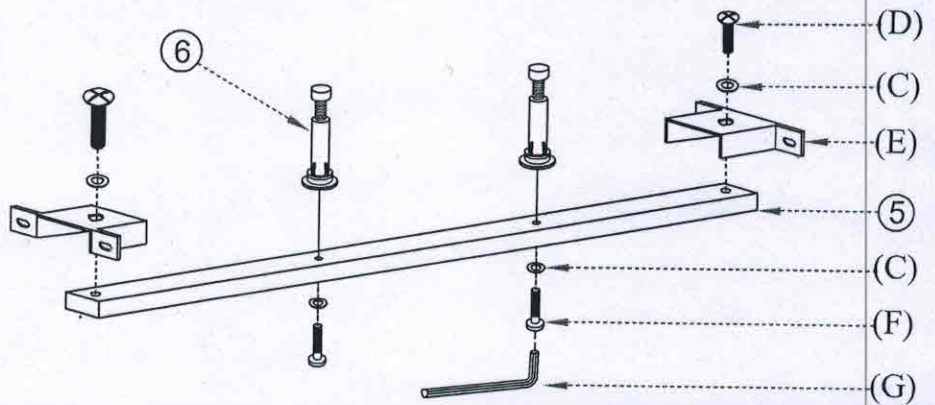
Step 4

Central Support Assembly

Attach the Central Support Brackets (E) to each end of the Central Support Rail (5) using bolt (D) and washer (C).

Insert the Feet (6) into the holes on the Central Support Rail (5) and secure using bolt (F) and washer (C).

Do not fully tighten at this stage.



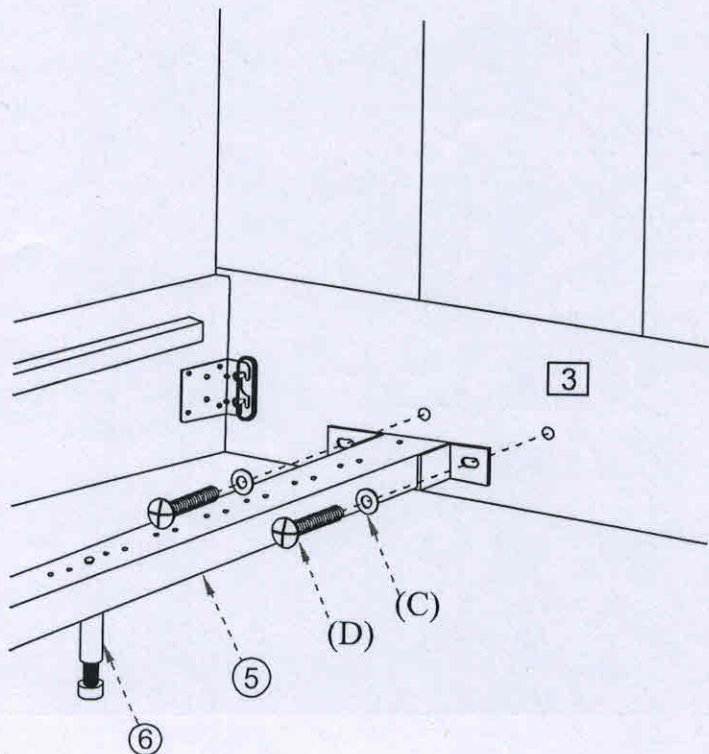
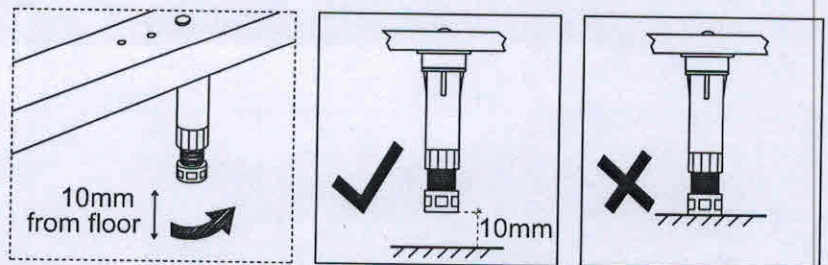
Step 5

Attach Central Support

Attach the assembled central support section (5) to the headboard (3) using bolts (D) and washers (C) as shown. Repeat at the footboard end.

Adjust the bottom part of the feet (6) so that there is 10mm clearance between the feet and floor.

Do not fully tighten at this stage.



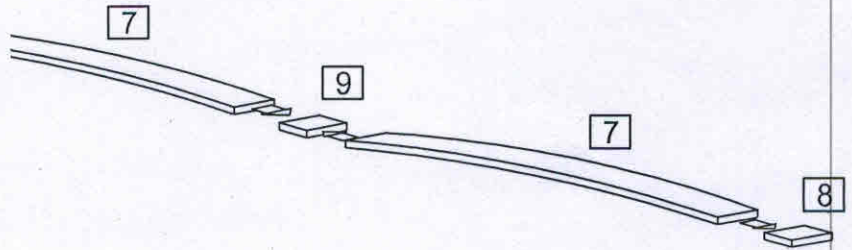
Assembly Instructions

Step 6

Place slats

a: Slot the bed slats **7** into the end cap **8** and central slat caps **9** as shown.

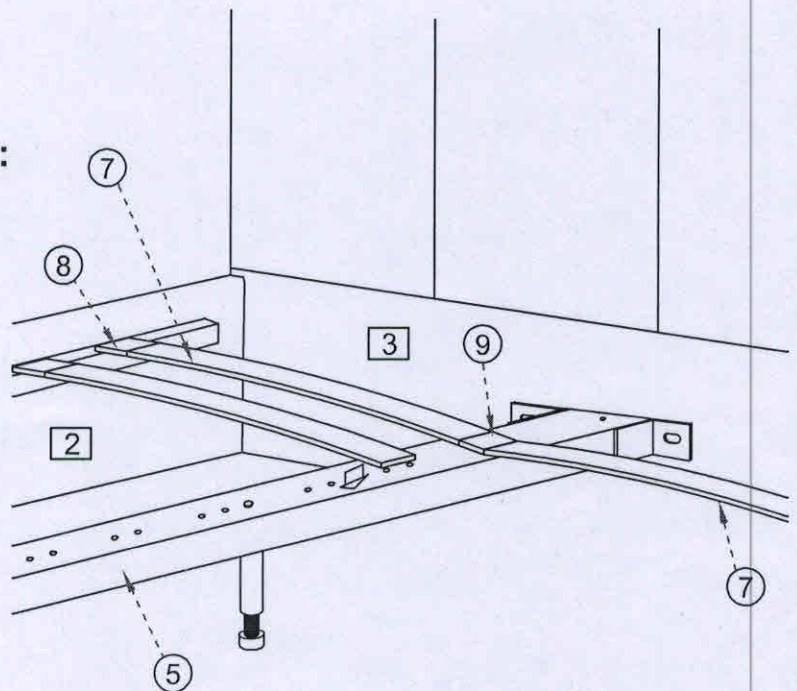
a:



b: Attach the slats to the side rails **1** & **2** and central support rail **5** by firmly pushing into place.

After all the parts are positioned, you can now fully tighten all bolts fixed on previous steps.

b:



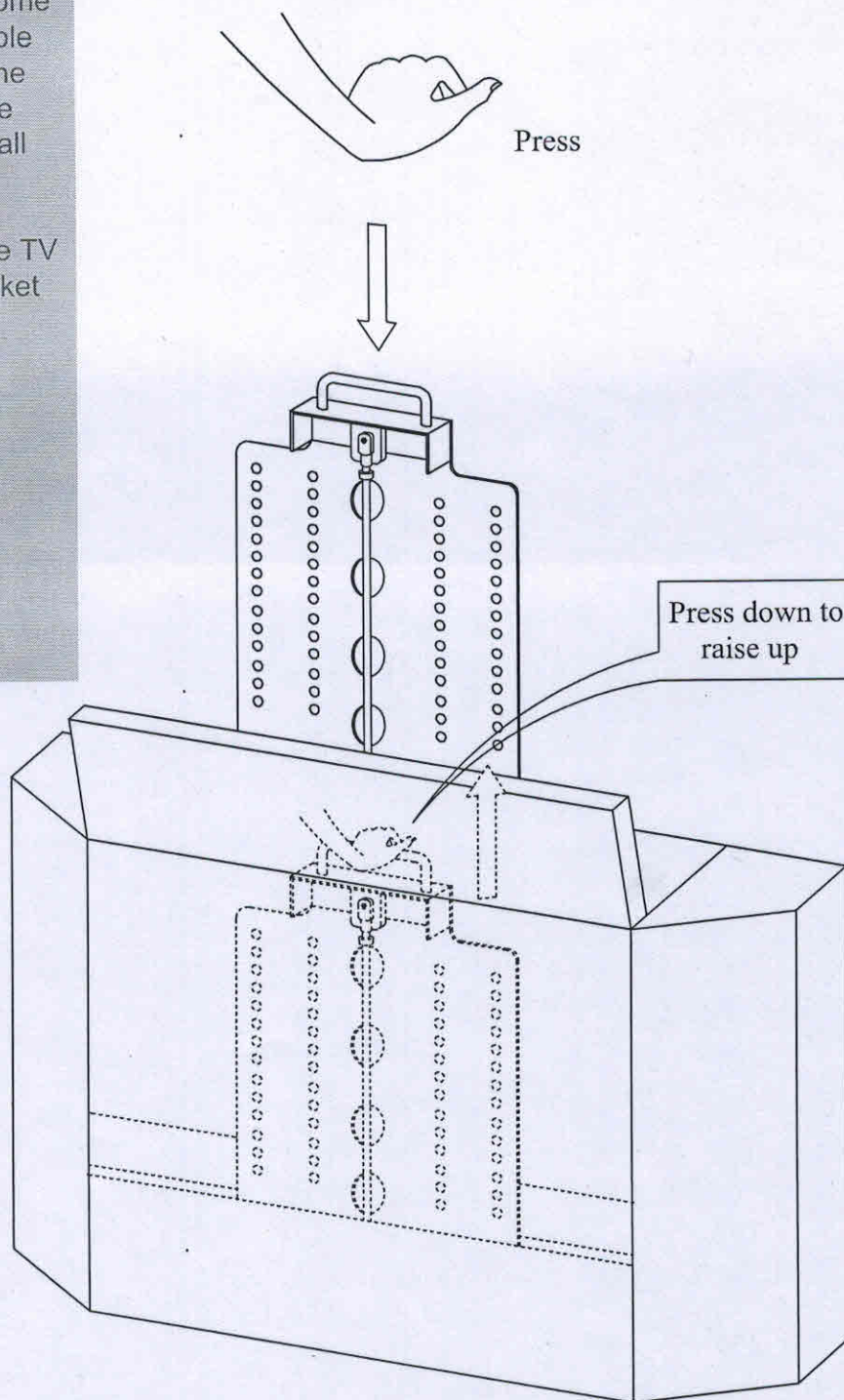
Assembly Instructions

Step 7

Attaching TV

Press the handle down to make the TV bracket come up. We suggest 2 people to install the TV on to the bracket. One to hold the bracket and one to install the TV using bolt and washer.

Adjust the height of the TV using the different bracket holes as designed.

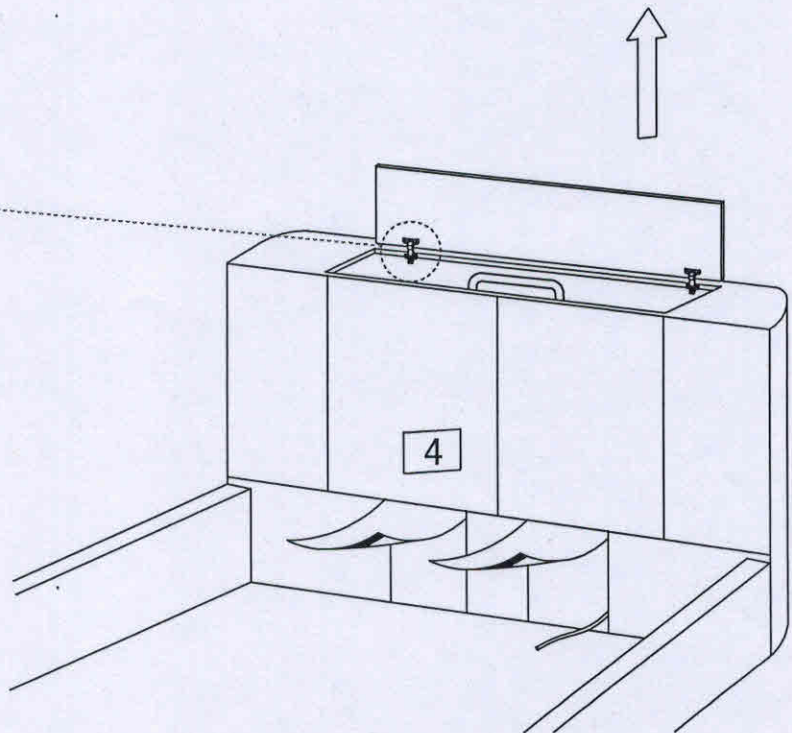
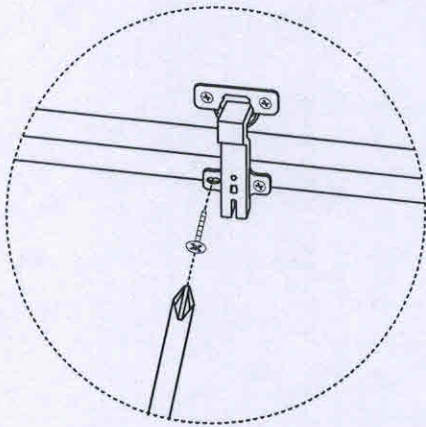
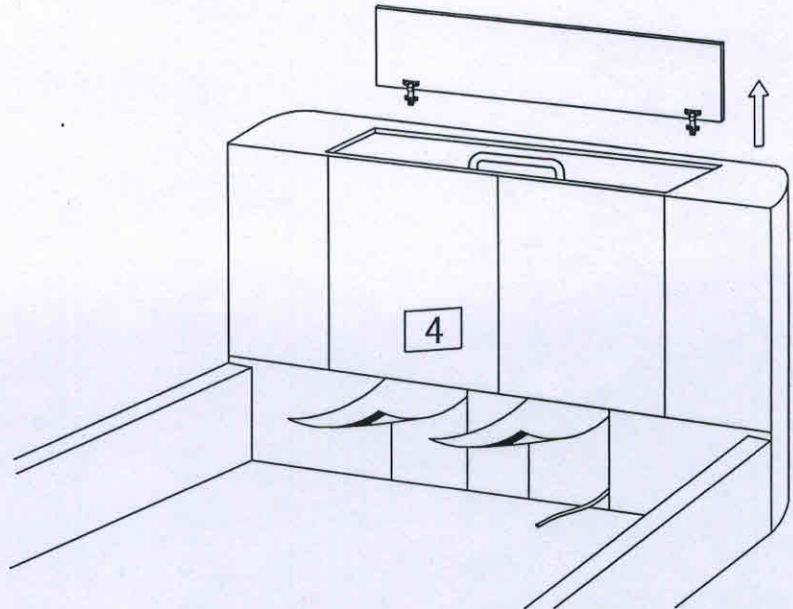


Assembly Instructions

Step 8

Taking out the Lid

When you are assembling the television on the bracket, if you found the lid is blocking the installation of the television, using phillips screwdriver to unscrew the hinge and take out the lid.



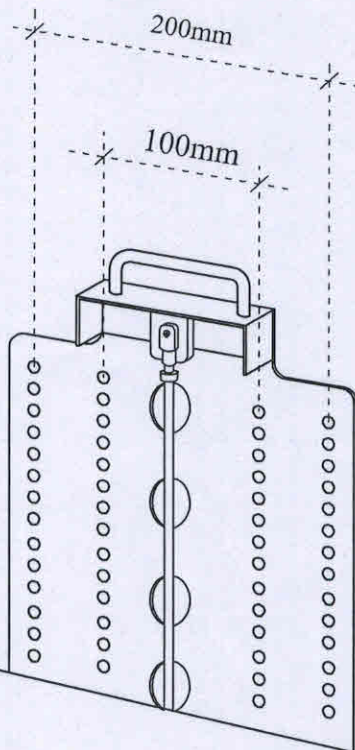
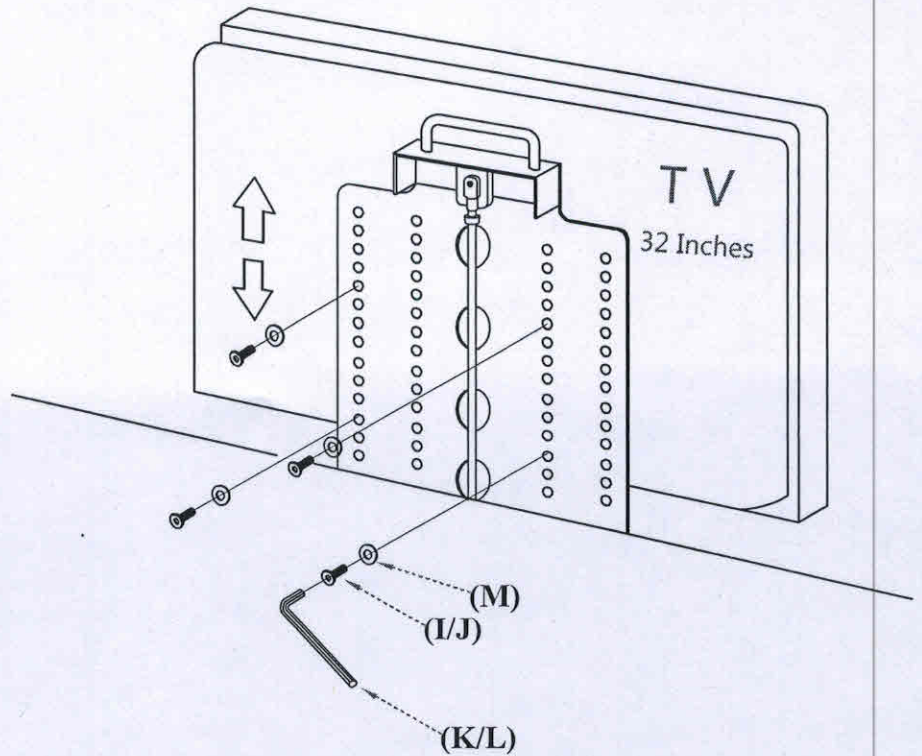
Phillips screwdriver

Assembly Instructions

Step 9

Adjusting television

Should you want to adjust the position of the television on the bracket, remove the television by unscrewing the four bolts and four washer as shown.



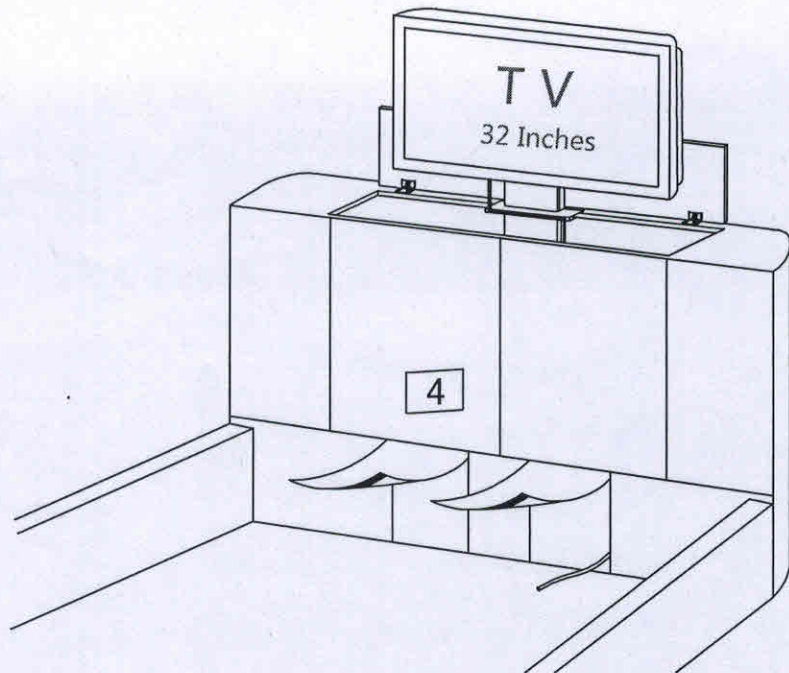
Assembly Instructions

Step 10

Cabling

The cables of the TV should pass through the access holes at the bottom of the footboard **4** as shown (either the left or the right side depending on which side you have installed the DVD tray).

Assembly is complete.



If you need help or have damaged or missing parts, call the Customer Helpline:
Argos = 0345 6400800