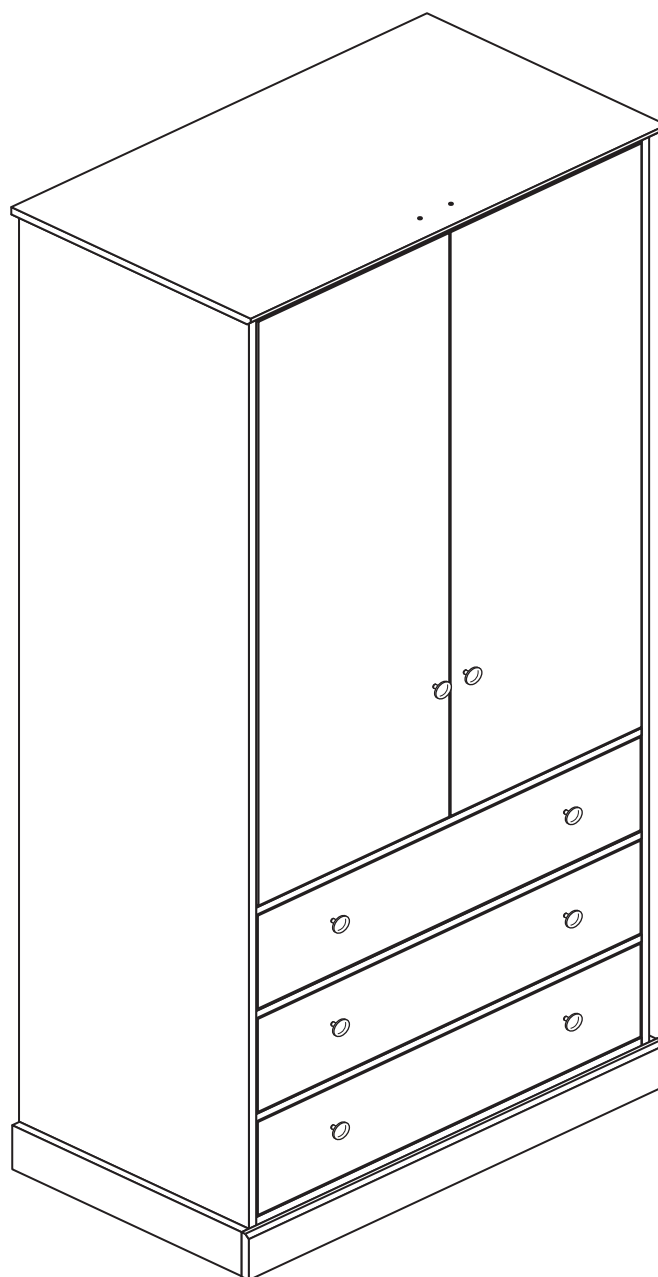


# Kensington - 3 Drawer 2 Door Robe

Assembly Instructions - Please keep for future reference

414/6946

4111335



## Dimensions

Width - 85.9cm

Depth - 49.5cm

Height - 198.8cm



**MADE IN  
BRITAIN**

**Important** - Please read these instructions fully before starting assembly

If you need help or have damaged or missing parts, please visit [www.argos-support.co.uk](http://www.argos-support.co.uk) or email: [Help@ClickSpares.co.uk](mailto:Help@ClickSpares.co.uk) (quoting your original order number)

Alternatively, call the Spares Helpline on: 0370 112 1928.

For any other queries please contact the Customer Helpline on: 0345 640 2020



# Safety and Care Advice

**Important - Please read these instructions fully before starting assembly**

- **Warning:** This unit weighs approximately 59kgs. Please lift with care.
- Check you have all the components and tools listed on pages 2 and 3.
- Remove all fittings from the plastic bags and separate them into their groups.
- Keep children and animals away from the work area, small parts could choke if swallowed.
- Parts of the assembly will be easier with 2 people.

- Make sure you have enough space to layout the parts before starting.
- Do not stand or put weight on the product, this could cause damage.
- Assemble the item as close to its final position (in the same room) as possible.
- Assemble on a soft level surface to avoid damaging the unit or your floor (use opened out unit carton).



- We do not recommend the use of power drill/drivers **for inserting screws**, as this could damage the unit. Only use hand screwdrivers.

- **Safety note:** It is recommended that this unit is secured to a wall using the overbalance protector kit supplied or, an alternative fixing method of your choice.
- Dispose of all packaging carefully and responsibly.

## Care and maintenance

- Only clean using a damp cloth and mild detergent, do not use bleach or abrasive cleaners.
- From time to time check that there are no loose screws on this unit.
- This product should not be discarded with household waste. Take to your local authority waste disposal centre.

## Tools required

Scissors / Rule / Hammer / Cross-head screwdriver / Square / Spirit level / Step ladder

Eye protection (when using a hammer or drill) / Electric drill (only use when drilling into walls)

# Components - Panels

If you need help or have damaged or missing parts, please visit [www.argos-support.co.uk](http://www.argos-support.co.uk) or email: [Help@ClickSpares.co.uk](mailto:Help@ClickSpares.co.uk) (quoting your original order number)

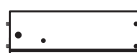
Alternatively, call the Spares Helpline on: 0370 112 1928.

For any other queries please contact the Customer Helpline on: 0345 640 2020

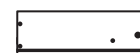
**Please check you have all the panels listed below**



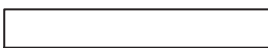
**1** Drawer Front (DF2414)  
(79.1 x 19.2cm) x 3



**2** Left Drawer Side (W370-124LH)  
(37 x 12.4cm) x 3



**3** Right Drawer Side (W370-124RH)  
(37 x 12.4cm) x 3



**4** Drawer Back (W765-124)  
(76.5 x 12.4cm) x 3



**5** Drawer Base (T776-367)  
(77.6 x 36.7cm) x 3

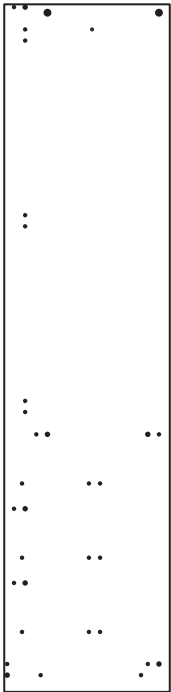
# Components - Panels

If you need help or have damaged or missing parts, please visit [www.argos-support.co.uk](http://www.argos-support.co.uk) or email: [Help@ClickSpares.co.uk](mailto:Help@ClickSpares.co.uk) (quoting your original order number)

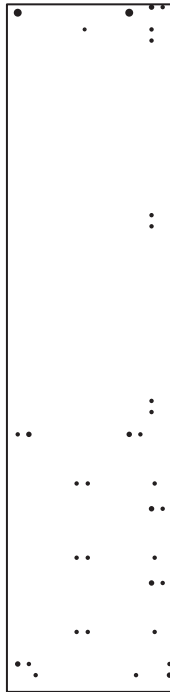
Alternatively, call the Spares Helpline on: 0370 112 1928.

For any other queries please contact the Customer Helpline on: 0345 640 2020

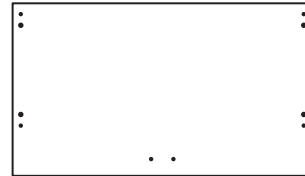
Please check you have all the panels listed below



**6** Left Side (DF2410)  
(197.3 x 47.5cm)



**7** Right Side (DF2411)  
(197.3 x 47.5cm)



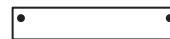
**8** Top (DF2409)  
(85.9 x 49.5cm)



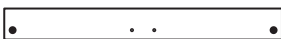
**9** Shelf (DF2413)  
(79.7 x 47.4cm)



**10** Hanging Rail (FHR791)  
(79.1cm long)



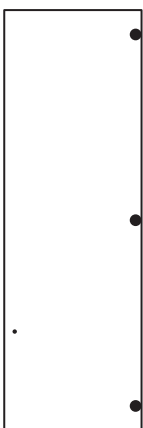
**13** Side Plinth (DF2431)  
(47.5 x 9.1cm) x 2



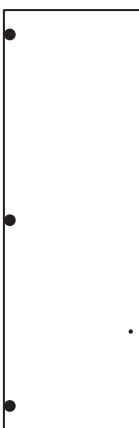
**11** Rail (DF2412)  
(79.7 x 8.9cm) x 5



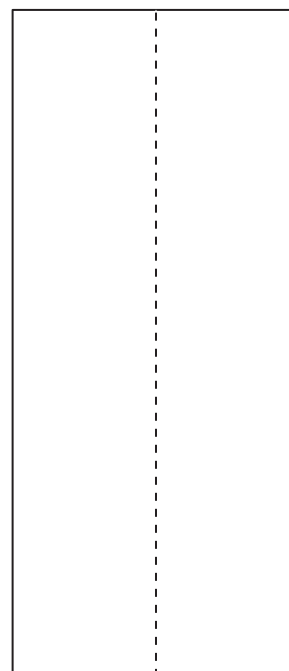
**12** Front Plinth (DF2417)  
(85.9 x 9.2cm)



**14** Left Door (DF3874)  
(120.6 x 39.4cm)



**15** Right Door (DF3780)  
(120.6 x 39.4cm)



**16** Back (X1914-823)  
(191.4 x 82.3cm)



# Components - Fittings

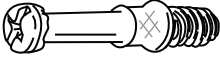


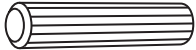
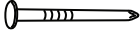






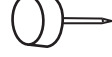


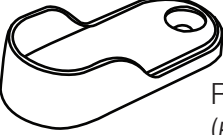
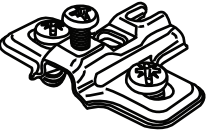
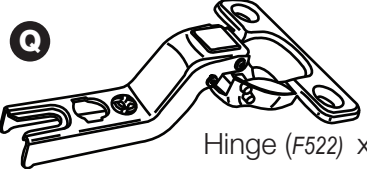


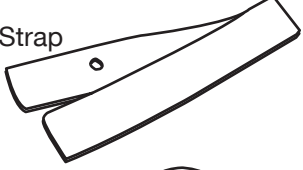


If you need help or have damaged or missing parts, please visit [www.argos-support.co.uk](http://www.argos-support.co.uk) or email: [Help@ClickSpares.co.uk](mailto:Help@ClickSpares.co.uk) (quoting your original order number)

Alternatively, call the Spares Helpline on: 0370 112 1928.

For any other queries please contact the Customer Helpline on: 0345 640 2020

Please check you have all the fittings listed below

**Note:** The quantities below are the correct amount to complete the assembly. In some cases more fittings may be supplied than are required.

<p><b>A</b> </p> <p>Metal dowel (F901) x 26</p>	<p><b>B</b> </p> <p>Large locking nut (F900) x 20</p>	<p><b>C</b> </p> <p>Small locking nut (F3) x 6</p>
<p><b>D</b> </p> <p>Wooden dowel (F22) x 20</p>	<p><b>E</b> </p> <p>Nail (F51) x 34</p>	<p><b>F</b> </p> <p>Knock-in Peg (F171GY) x 12</p>
<p><b>G</b> </p> <p>25mm Screw (F50) x 6</p>	<p><b>H</b> </p> <p>19mm Screw (F461) x 8</p>	<p><b>I</b> </p> <p>9mm Screw (F74) x 6</p>
<p><b>J</b> </p> <p>9mm Screw (F73) x 12</p>	<p><b>K</b> </p> <p>13mm Screw (F63) x 16</p>	<p><b>L</b> </p> <p>Plastic Nail (F91) x 4</p>
<p><b>M</b> </p> <p>Drawer runner (F1004) x 6</p>		<p><b>N</b> </p> <p>Wedgex (F639) x 12</p>
<p><b>O</b> </p> <p>Rail Holder (F891) x 2</p>	<p><b>P</b> </p> <p>Hinge plate (F523) x 6</p>	<p><b>Q</b> </p> <p>Hinge (F522) x 6</p>
<p><b>R</b> </p> <p>Handle (F220) x 8</p>	<p><b>S</b> </p> <p>Shelf stud (F110) x 2</p>	<p><b>T</b> </p> <p>Strap</p> <p> Screw  Washer x 2</p> <p>Overbalance protector kit (F269) x 1</p>

Ruler - Use this ruler to help correctly identify the screws



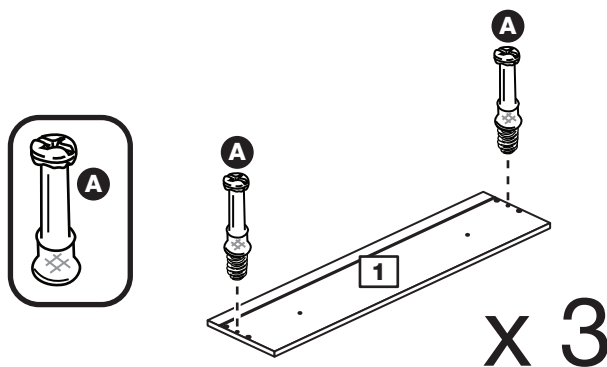
# Assembly Instructions

## Step 1

### Prepare the 3 drawer fronts

Screw 2 metal dowels **A** into each of the 3 drawer fronts **1**.

**Note:** Tighten the metal dowels up fully against the panels.

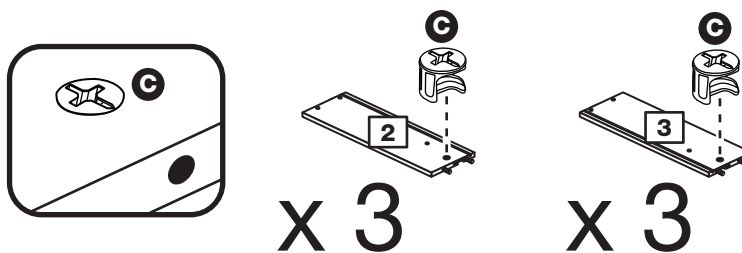


## Step 2

### Prepare the drawer sides

Insert a small locking nut **C** into the hole shown on the left drawer side **2** and the right drawer side **3**.

**Note:** The arrow on the locking nut **must** point towards the hole in the edge of the panel.



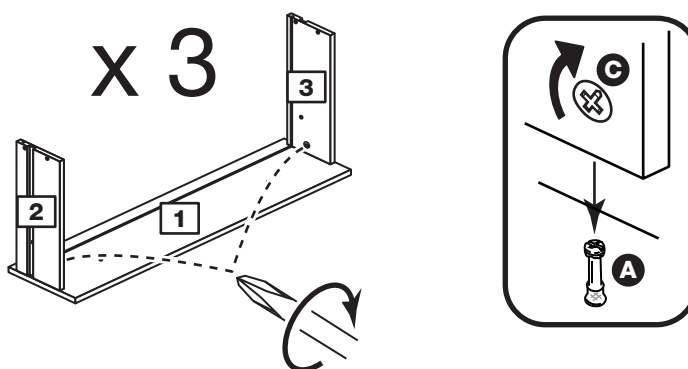
## Step 3

### Attach the drawer sides to the drawer fronts

Push the left drawer sides **2** and right drawer sides **3** onto the back of the drawer fronts **1**.

Turn the small locking nuts **C** on the left drawer side **2** and right drawer side **3**.

**Note:** Turn the locking nuts **C** clockwise to secure panels - more than 1/2 a turn.

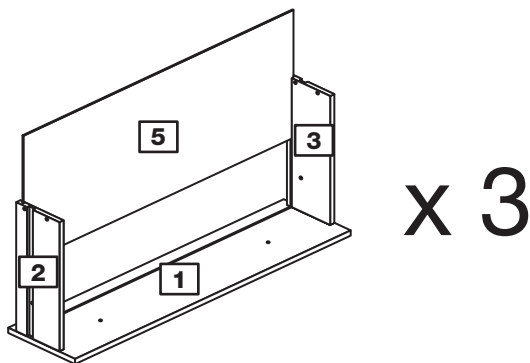


# Assembly Instructions

## Step 4

### Fit the drawer base

Slide the drawer base **5** down the grooves in the drawer sides **2** and **3** and down into the groove in the drawer front **1**.

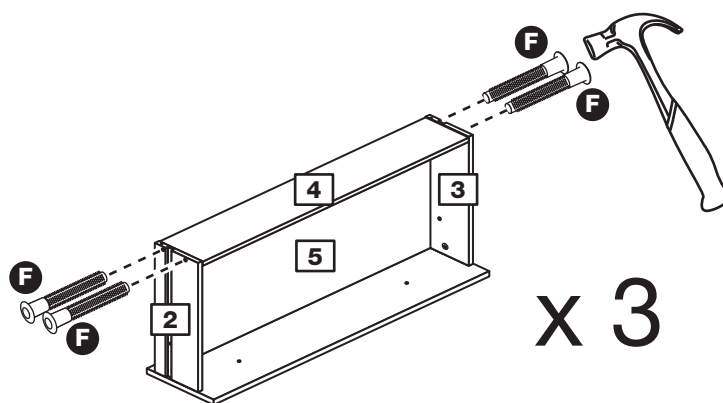


## Step 5

### Fit the drawer back

Fit the drawer back **4** between the drawer sides **2** and **3**. Make sure that the drawer base **5** fits into the groove in the drawer back **4**.

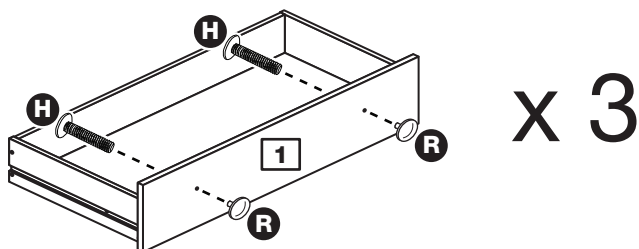
Hold the drawer back **4** in position and tap the knock-in pegs **F** through the holes in the drawer sides **2** and **3**.



## Step 6

### Attach the handles

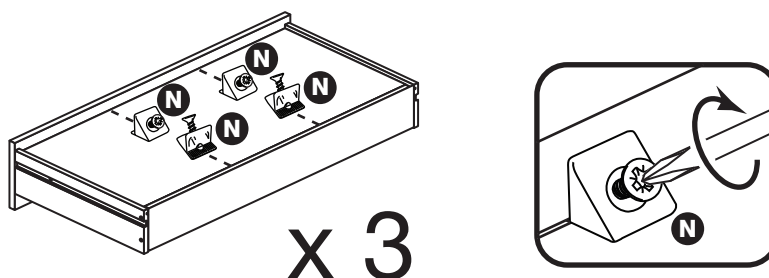
Attach 2 handles **R** to each drawer front **1** using screws **H**.



## Step 7

### Fit the wedgifixes

Turn the drawer assemblies over and slide 4 wedgifixes **N** into the front and back grooves, as shown, and tighten up the screws.



# Assembly Instructions

## Step 8

### Prepare the left side

**a:** Place 3 runners **M** on the left side **6** as shown. Slide back the top of runner and use the 2nd hole from the front to fit the 1st screw **J**.

Fit 3 hinge plates **P** onto the left side **6**, making sure that the slot is facing towards the finished front edge.

**b:** Slide the runners **M** back the other way and fit the 2nd screw **J** into the corresponding holes in the left side **6**.

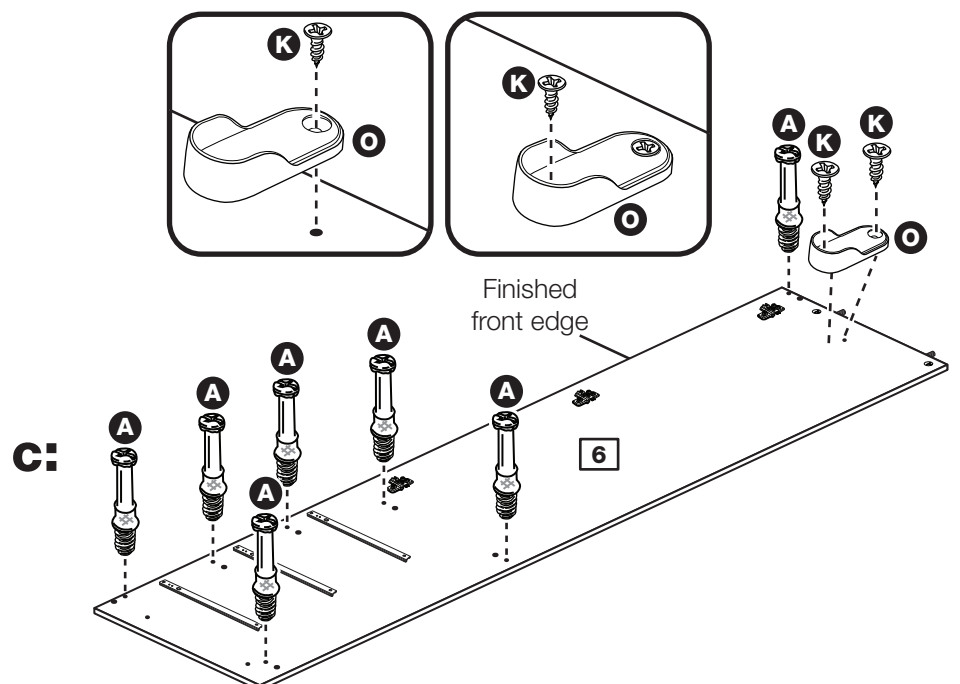
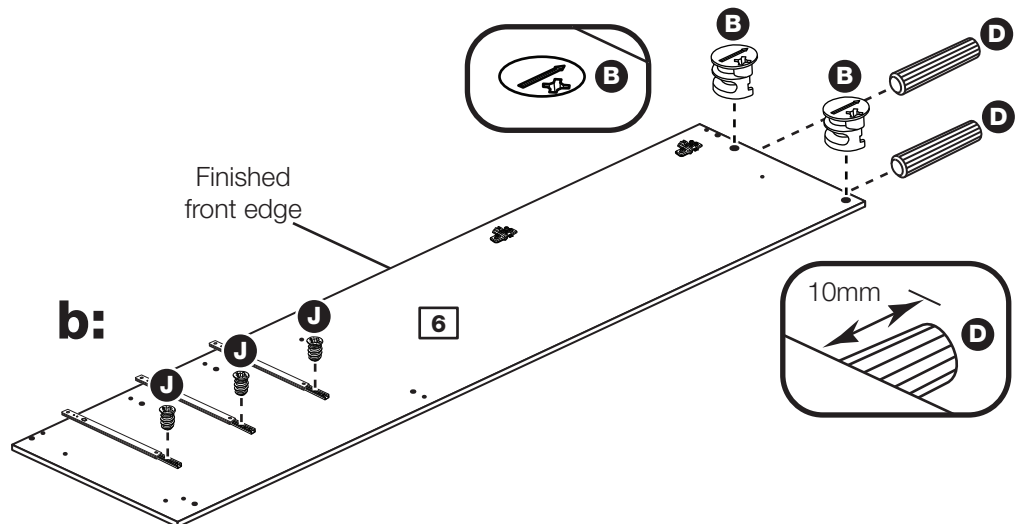
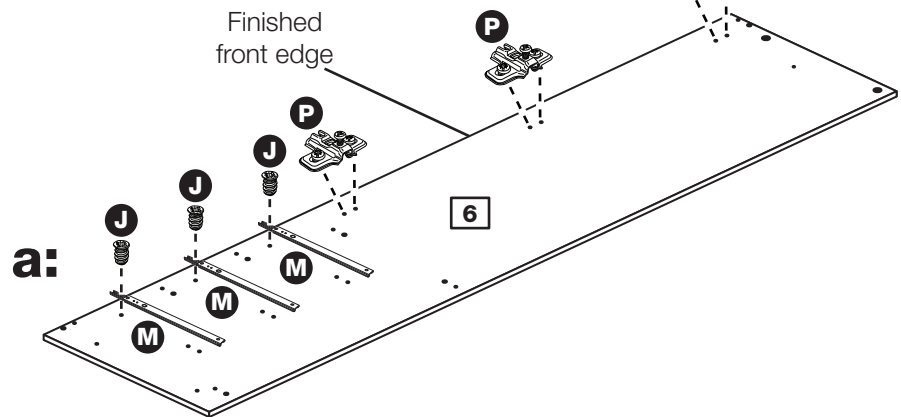
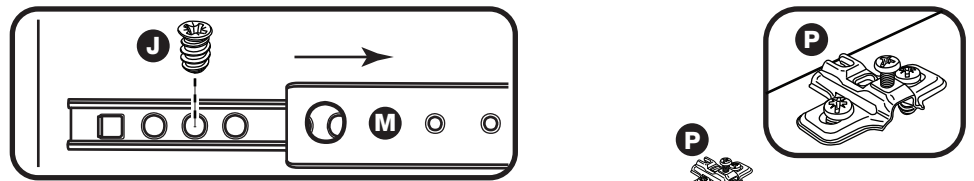
Insert 2 large locking nuts **B** into the left side **6**.

**Note:** The arrow on the locking nuts **must** point towards the hole in the edge of the panel.

Tap 2 wooden dowels **D** into the left side **6**.

**c:** Screw 7 metal dowels **A** into the left side **6**.

To fit the rail holder **O** screw through the top hole with screw **K** and into the mark hole drilled in the left side **6**. Make sure that it is fitted straight, in line with the panel edges and then fit another screw **K** using the lower hole.



# Assembly Instructions

## Step 9

### Prepare the right side

**a:** Place 3 runners **M** on the right side **7** as shown. Slide back the top of runner and use the 2nd hole from the front to fit the 1st screw **J**.

Fit 3 hinge plates **P** onto the right side **7**, making sure that the slot is facing towards the finished front edge.

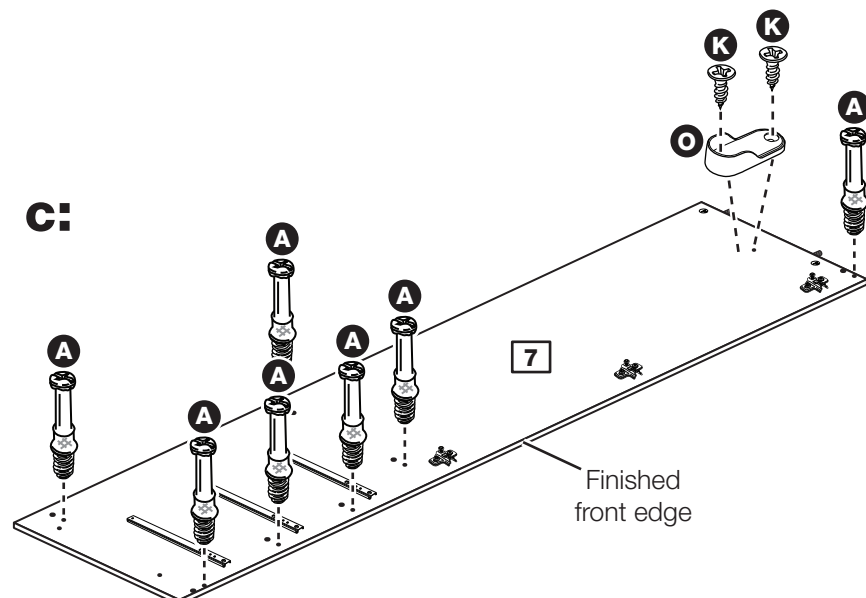
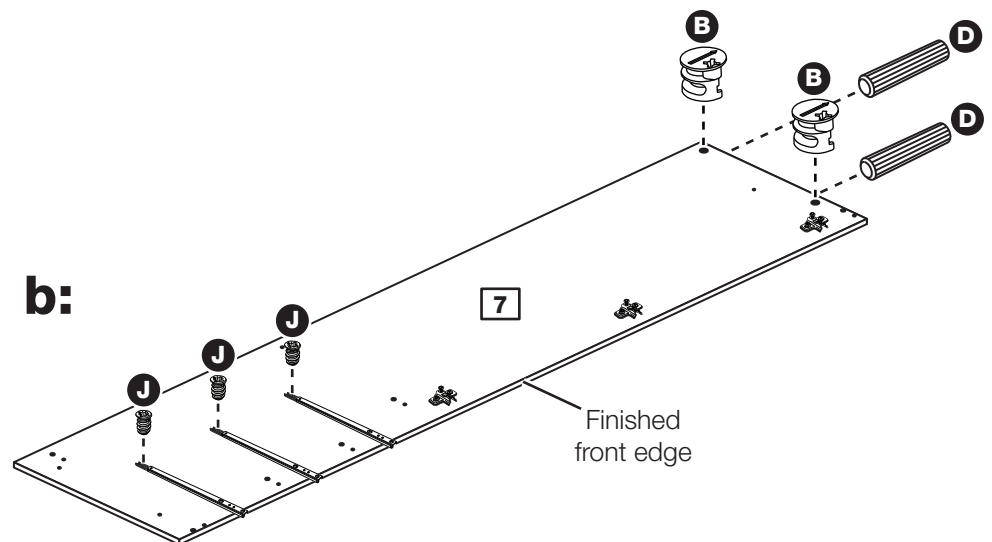
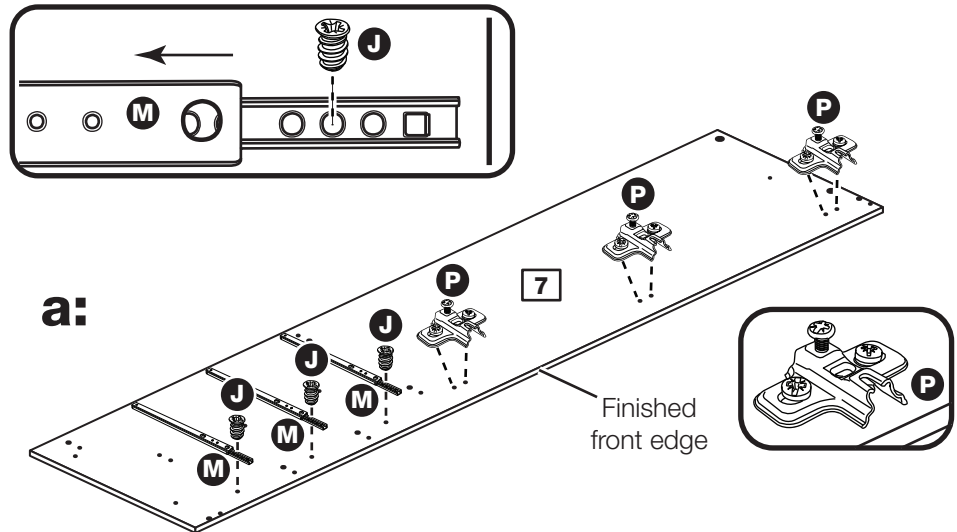
**b:** Slide the runners **M** back the other way and fit the 2nd screw **J** into the corresponding holes in the right side **7**.

Insert 2 large locking nuts **B** into the right side **7**.

Tap 2 wooden dowels **D** into the right side **7**.

**c:** Screw 7 metal dowels **A** into the right side **7**.

To fit the rail holder **O** screw through the top hole with screw **K** and into the mark hole drilled in the right side **7**. Make sure that it is fitted straight, in line with the panel edges and then fit another screw **K** using the lower hole.





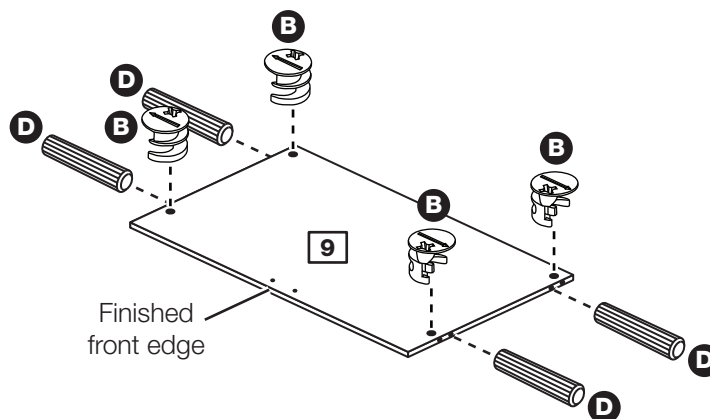
# Assembly Instructions

## Step 10

### Prepare the shelf

Insert 4 large locking nuts **B** into the shelf **9**.

Tap 4 wooden dowels **D** into the shelf **9**.



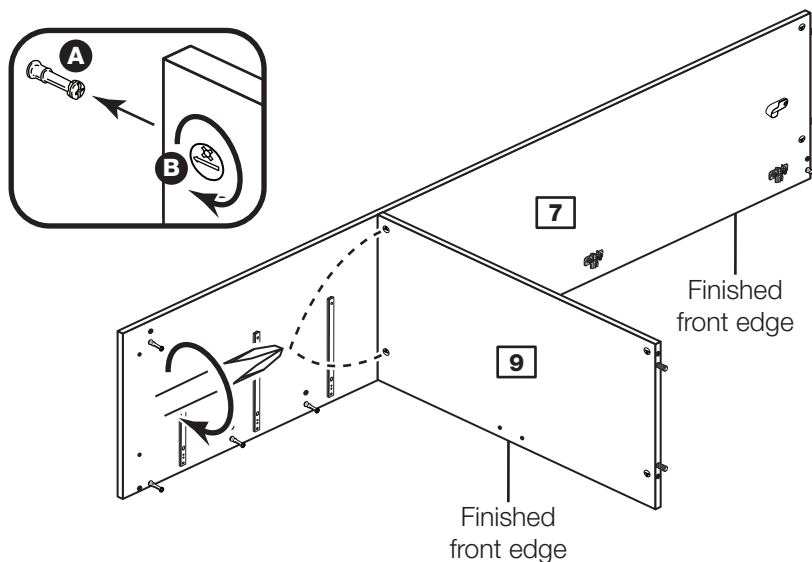
## Step 11

### Fit the shelf to the right side

Push the shelf **9** onto the right side **7**.

Use a screwdriver to tighten the 2 large locking nuts **B** fitted to the shelf **9**.

**Note:** Turn the large locking nuts **B** as far as they will go - more than 1/2 a turn.

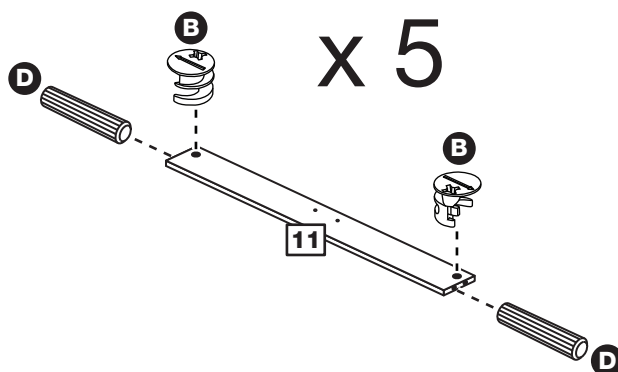


## Step 12

### Prepare the 5 rails

Insert 2 large locking nuts **B** into each of the 5 rails **11**.

Tap 2 wooden dowels **D** into each of the 5 rails **11**.



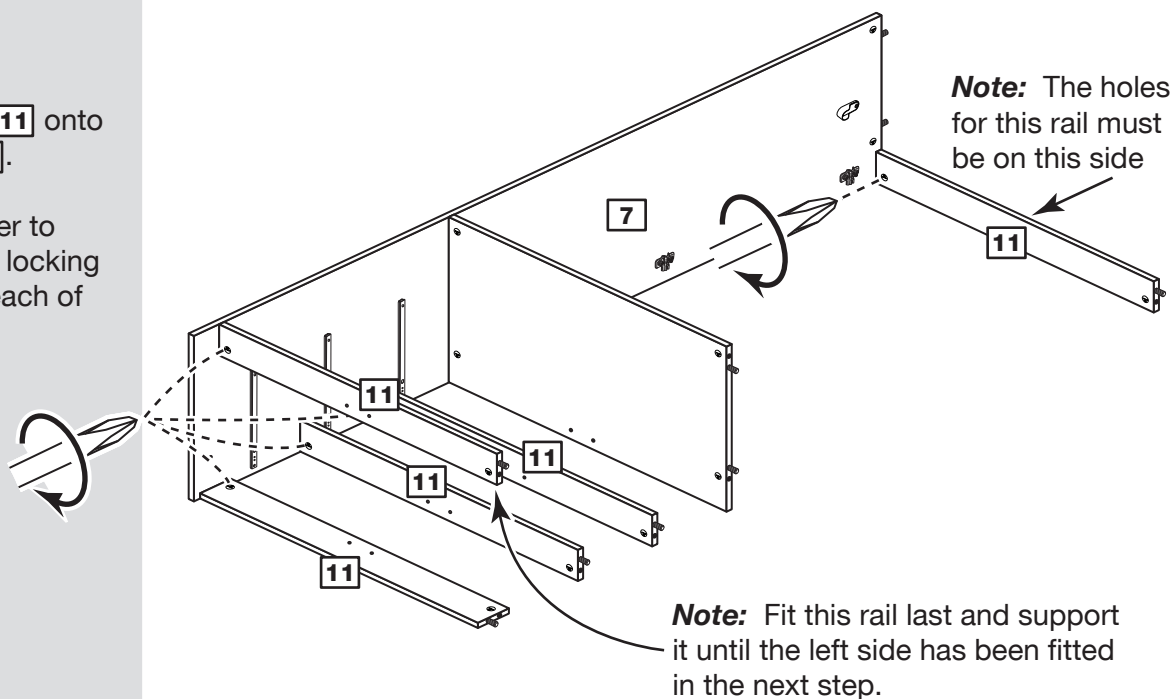
# Assembly Instructions

## Step 13

### Fit the 5 rails

Push the 5 rails **11** onto the right side **7**.

Use a screwdriver to tighten the large locking nut **B** fitted to each of the 5 rails **11**.

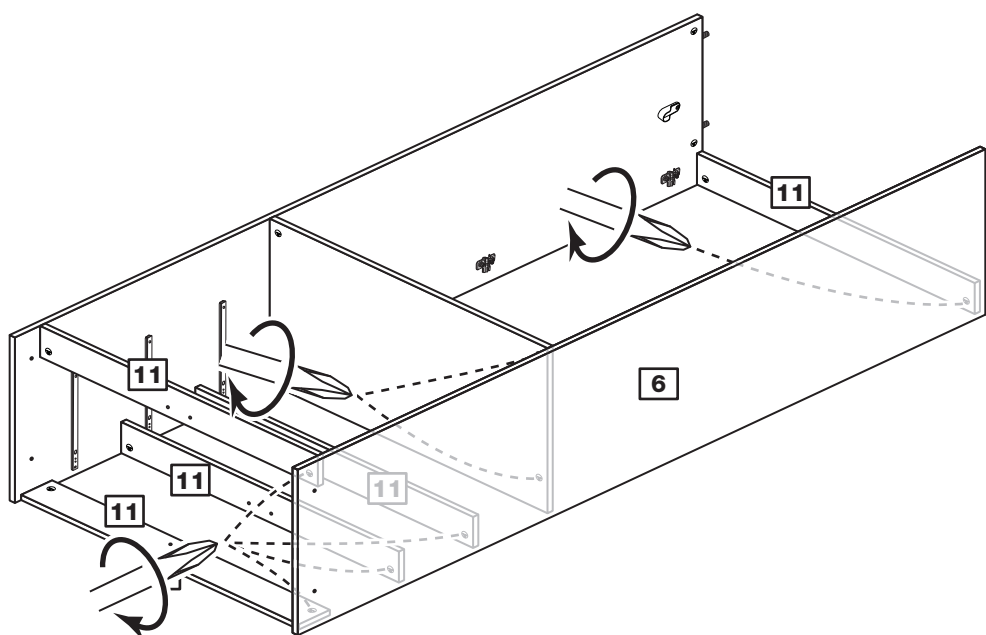


## Step 14

### Fit the left side

Push the left side **6** onto the assembly.

Use a screwdriver to tighten the 2 large locking nuts **B** fitted to the shelf **9** and the 5 rails **11**.

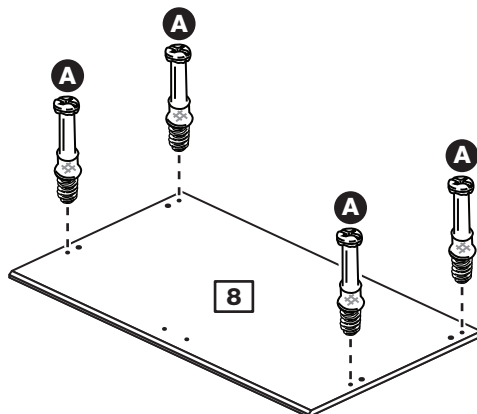


# Assembly Instructions

## Step 15

### Prepare the top

Screw 4 metal dowels **A** into the top **8**.



## Step 16

### Fit the top

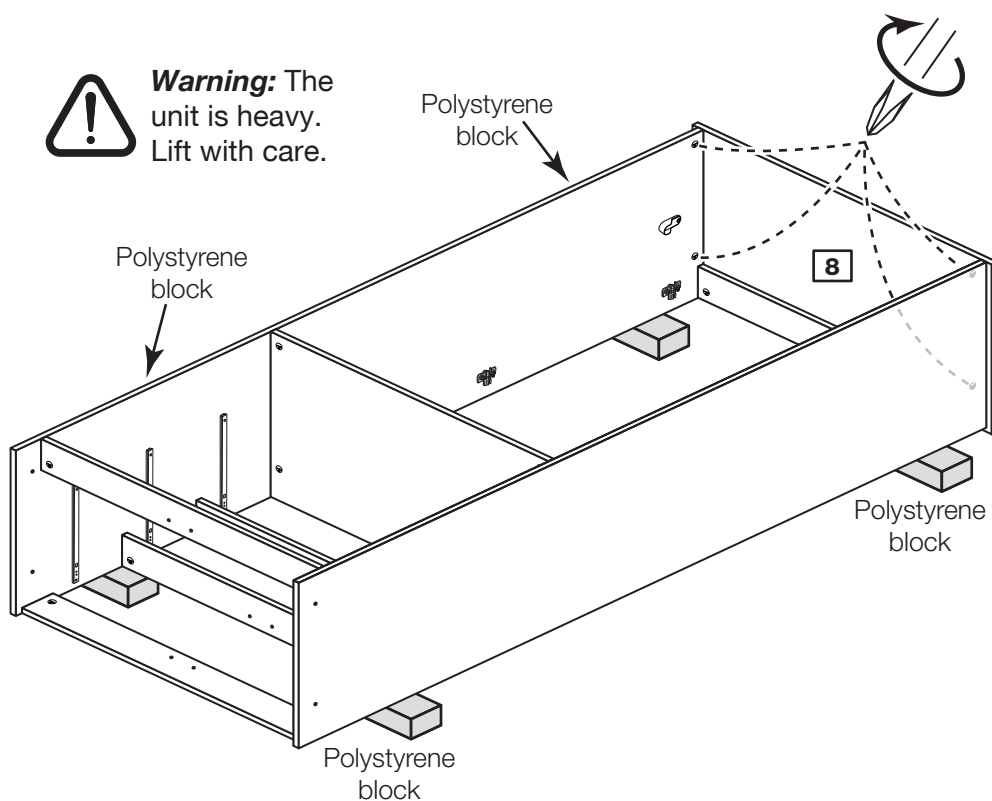
**Note:** To make it easier to fit the top and plinths, place polystyrene blocks from the packaging underneath the side panels to raise the assembly.

Push the top **8** onto the assembly.

Use a screwdriver to tighten the 4 large locking nuts **B** fitted to the sides **6** and **7**.



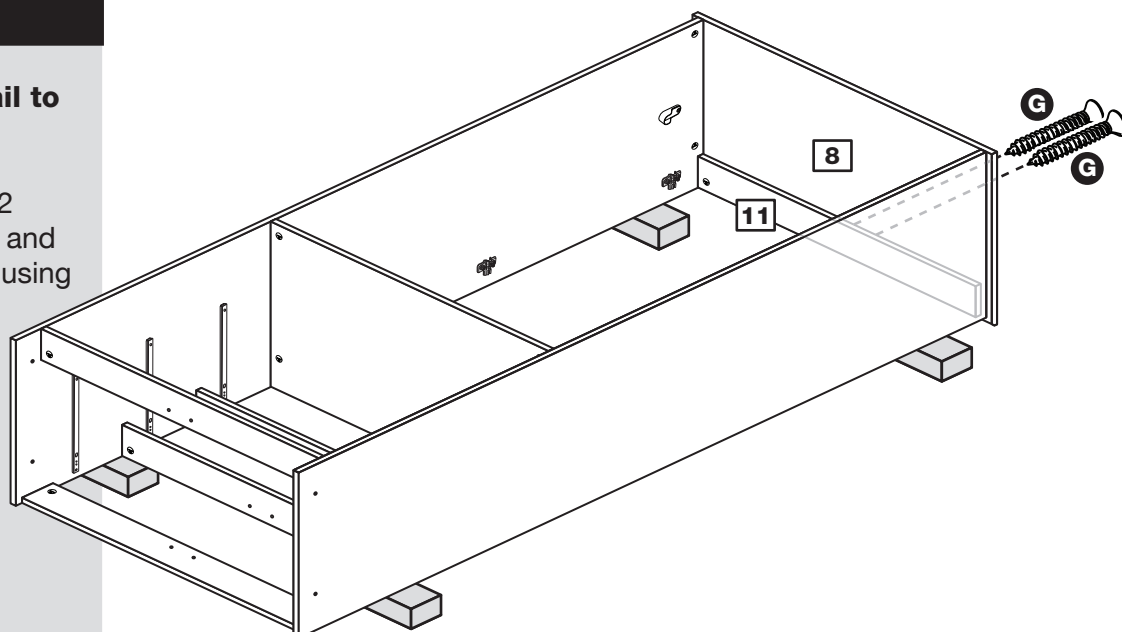
**Warning:** The unit is heavy. Lift with care.



## Step 17

### Secure the top rail to the top

Screw through the 2 holes in the top **8** and into the top rail **11** using 2 screws **G**.



# Assembly Instructions

## Step 18

### Fit the back

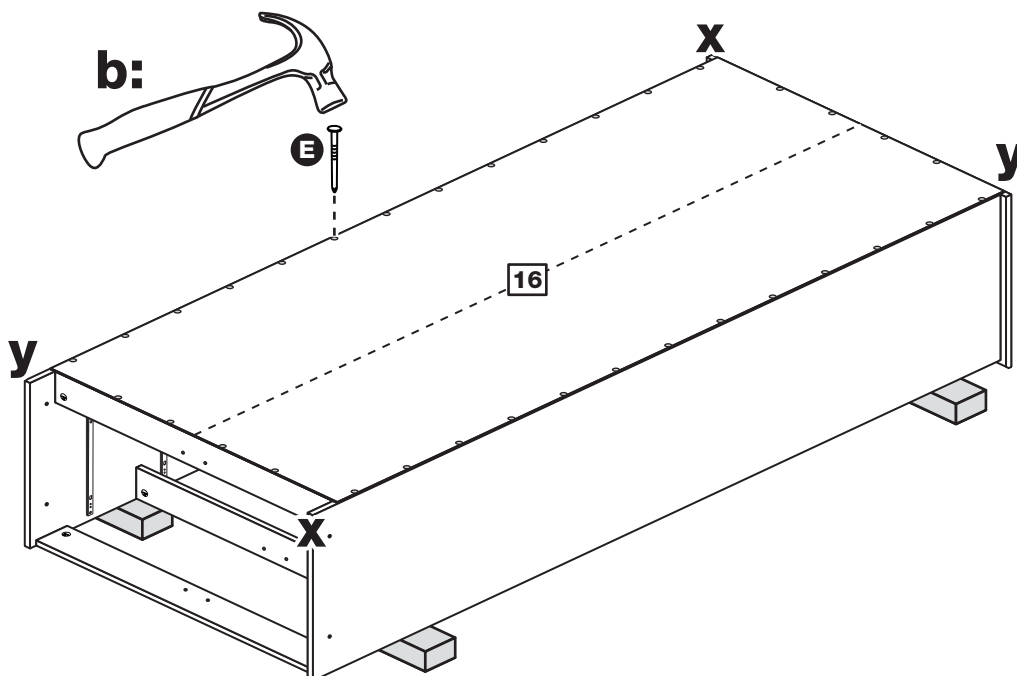
**a:** Square up the unit by making sure that measurement **x** to **x** equals **y** to **y**.

**b:** Place the back **16** onto the unit.

Nail **E** around the outside edges of the back **16**.

**Note:** Nails should be spaced about 150mm apart.

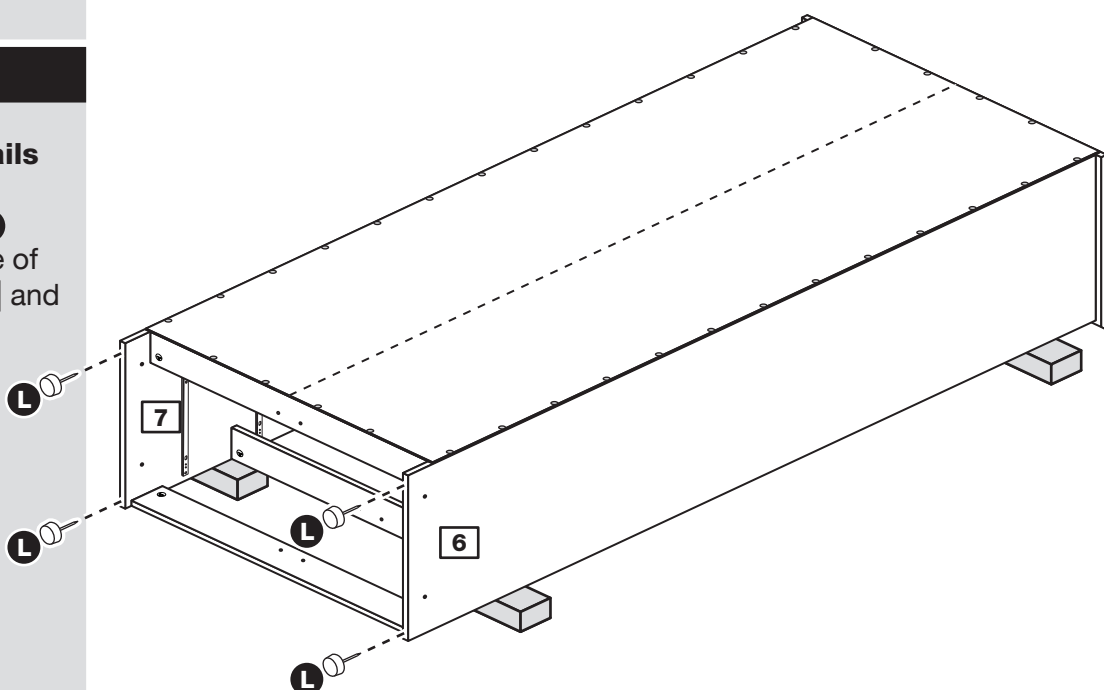
**a:** The measurement from top corner X to bottom corner X must be equal to the measurement from top corner Y to bottom corner Y



## Step 19

### Fit the 4 plastic nails

Tap 4 plastic nails **L** into the bottom edge of each of the sides **6** and **7**.



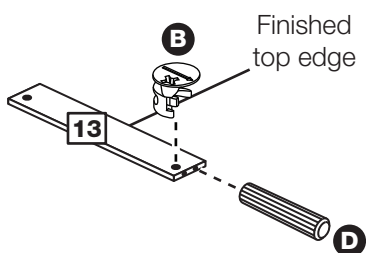
# Assembly Instructions

## Step 20

### Prepare a side plinth

Insert a large locking nut **B** into 1 of the side plinths **13**.

Tap a wooden dowel **D** into the side plinth **13**.

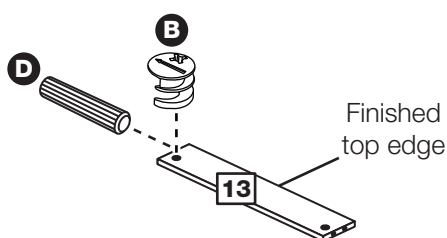


## Step 21

### Prepare the other side plinth

Insert a large locking nut **B** into the side plinth **13**.

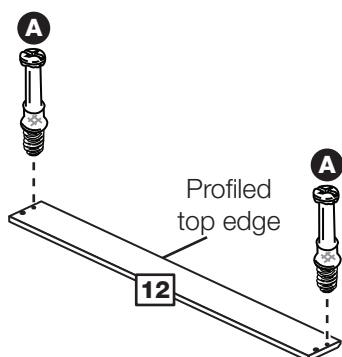
Tap a wooden dowel **D** into the side plinth **13**.



## Step 22

### Prepare the front plinth

Screw 2 metal dowels **A** into the front plinth **12**.

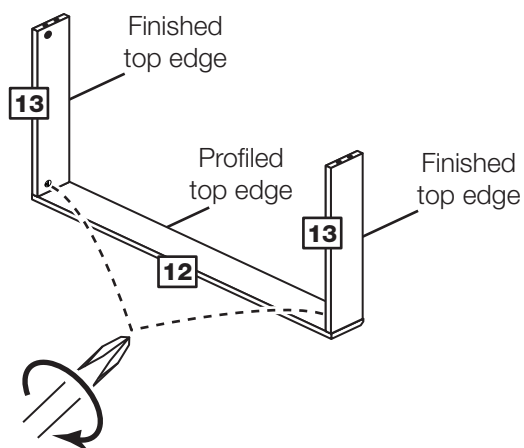


## Step 23

### Fit the plinths together

Push the 2 side plinths **13** onto the front plinth **12**.

Use a screwdriver to tighten the large locking nuts **B** fitted to the side plinths **13**.



# Assembly Instructions

## Step 24

### Fit the plinths

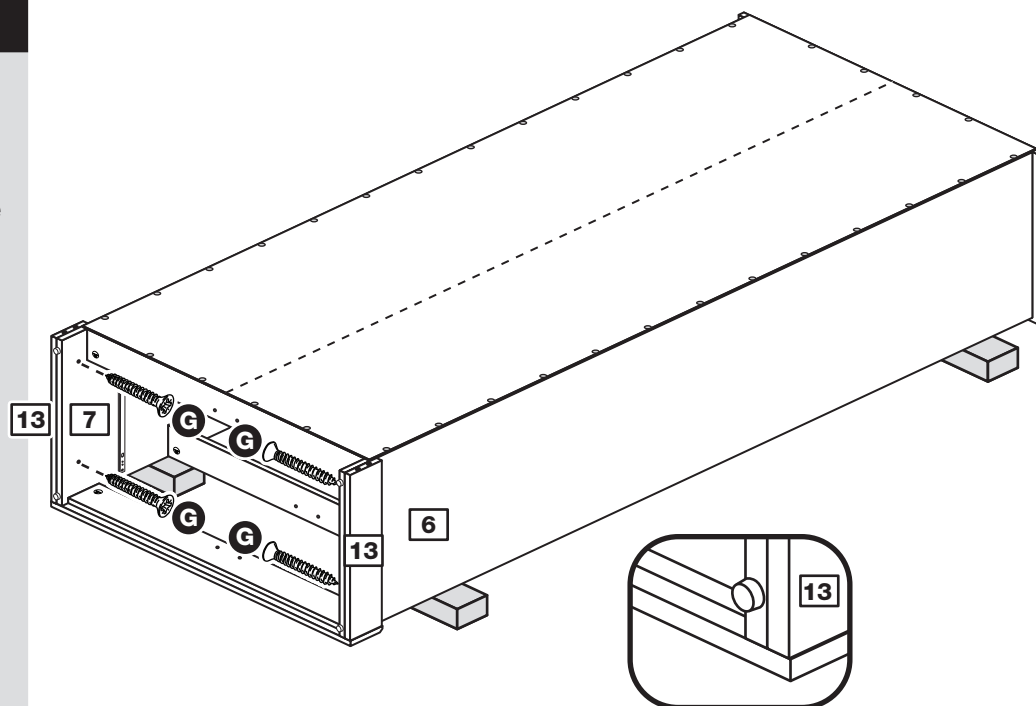
Position the 3 plinths around the outside of the assembly, ensuring that the bottom edge of the plinths are flush with the bottom edge of the sides, as shown.

Secure the 2 side plinths **13** through the left end **6** and right end **7** using screws **G**.

**Carefully stand the unit up for the next step.**



**Warning:** The unit is heavy. Lift with care.



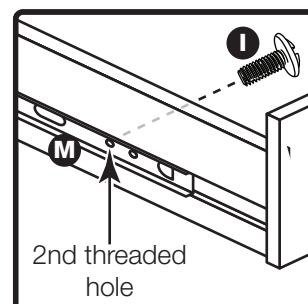
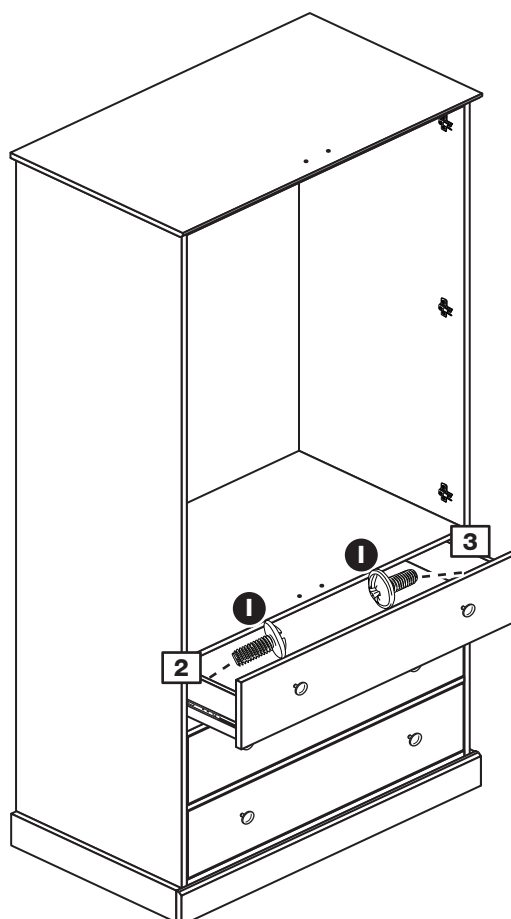
## Step 25

### Fit the drawers

Starting with the bottom drawer, slide both the runners **M** forward and locate the drawer sides **2** and **3** between them, lining up the holes in the drawer wrap with the 2nd 'threaded' holes in the runners **M**.

Working from the inside of the drawer, insert 2 screws **1** through the drawer sides and out into the 2nd threaded hole in the runner.

**Note:** Do not overtighten the screws **1**. If they catch on the runner you may need to loosen them slightly.



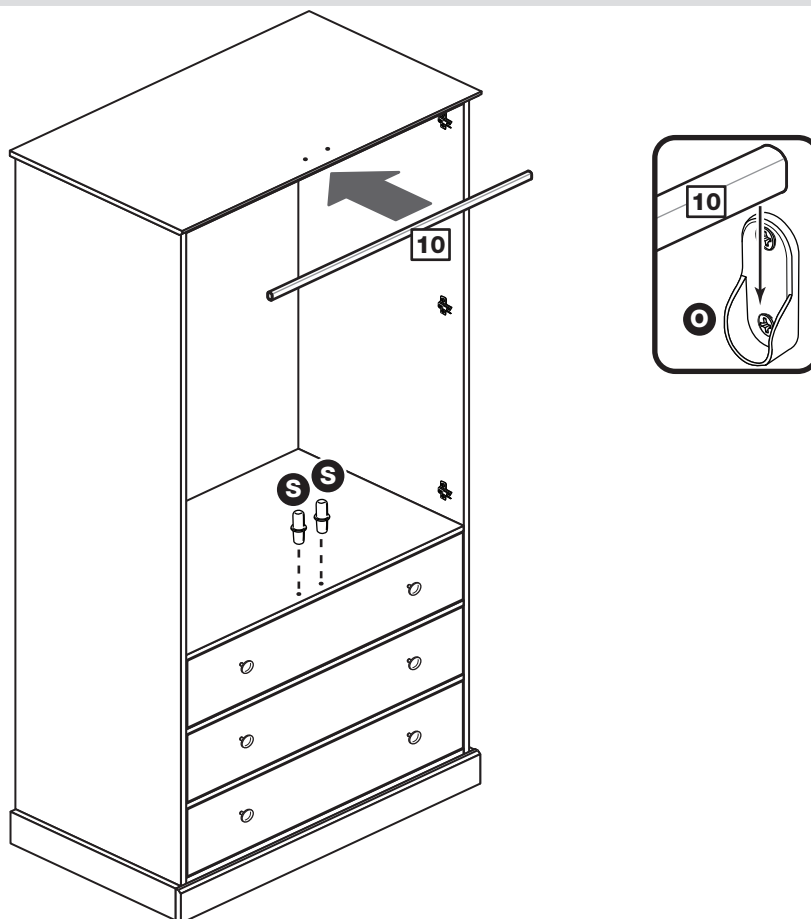
# Assembly Instructions

## Step 26

### Fit the hanging rail and shelf studs

Push the hanging rail **10** into the rail holders **O** fitted to the side panels.

Push the 2 shelf studs **S** down into the holes in the shelf **9** to act as door buffers.



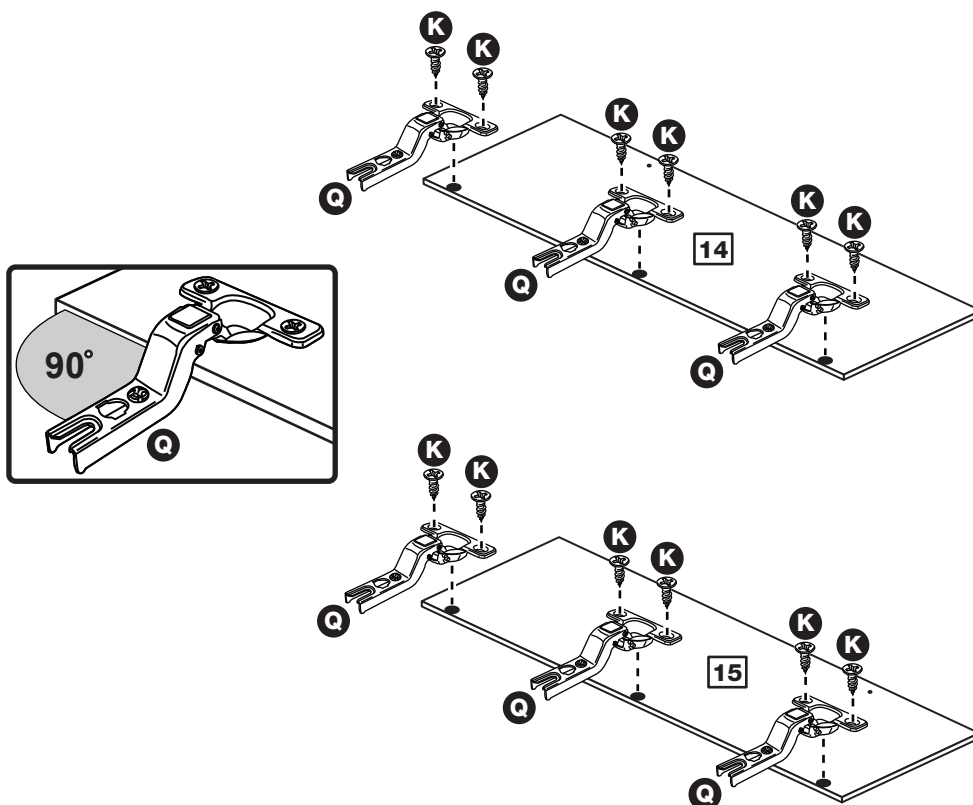
## Step 27

### Prepare the 2 doors

Push fit 3 hinges **Q** into each of the 2 doors **14** and **15**.

Secure each hinge with 2 screws **K**.

**Note:** Before securing with the screws, make sure that the hinges are positioned at 90 degrees with the edge of the door.



# Assembly Instructions

## Step 28

### Fit doors and handles

**Note:** The easiest way to attach each door **14** and **15** is to fit the top hinge first, then align and fit the other hinges.

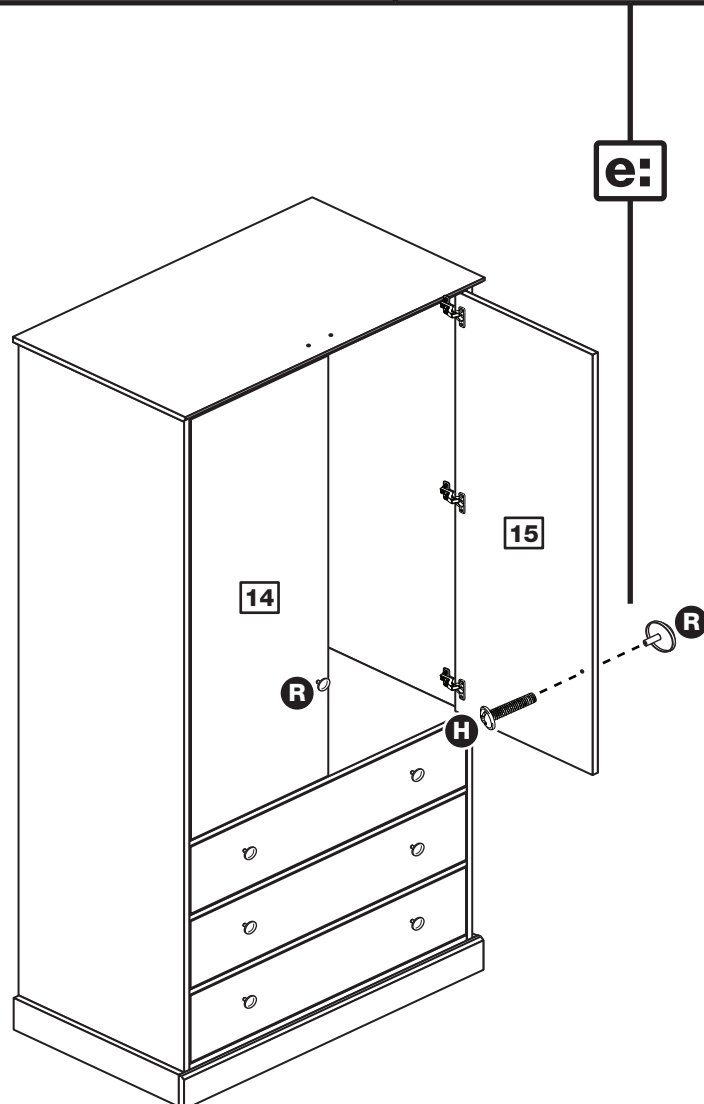
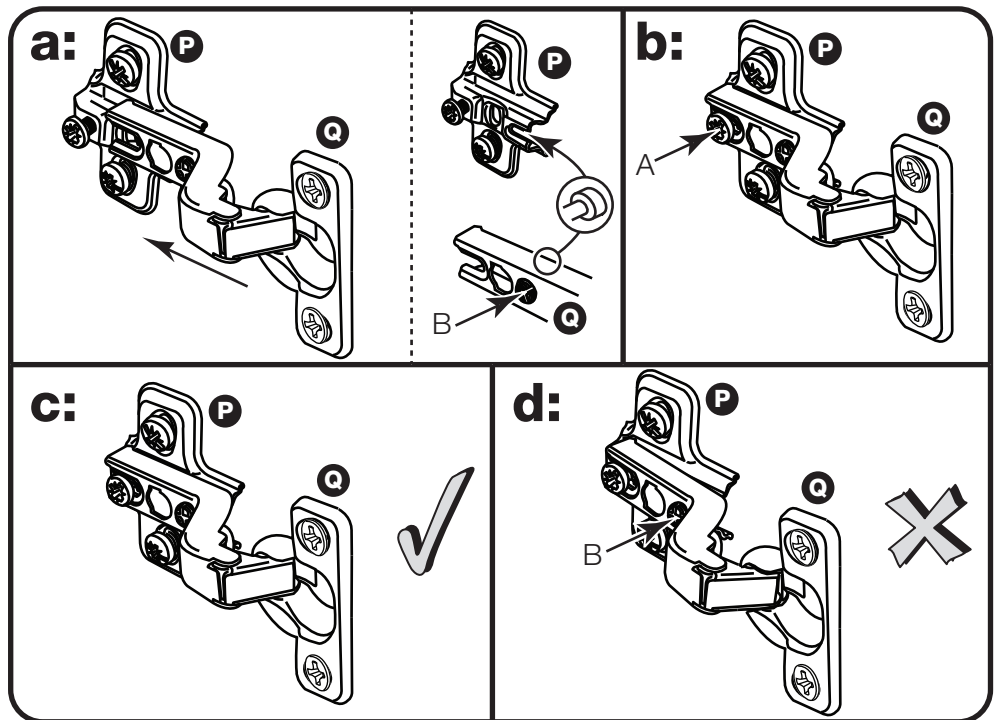
**a:** Push the hinge **Q** onto the front part of the hinge plate **P**. The recess at the bottom of screw B goes into the slot in the hinge plate.

**b:** Keep the hinge **Q** FLAT against the hinge plate **P** as you slide it across as far as it will go. Tighten screw A.

**c:** The hinge **Q** must be flat against the hinge plate **P** prior to any adjustment.

**d:** The hinge **Q** must NOT be AT AN ANGLE to the hinge plate **P** when assembled. This would indicate that the recess at the bottom of screw B had not located in the slot in the hinge plate and the hinge would not be secure. Remove the hinge from the hinge plate and then re-assemble being careful to follow instructions a-c.

**e:** Attach a handle **R** to each door **14** and **15** using screws **H**.





# Assembly Instructions

## Step 29

### Adjust the doors if needed

**a:** Before adjusting the doors, use a spirit level to check the base (or top) of the unit is level, front-to-back and side-to-side in the 3 positions shown. Use suitable packing pieces (not supplied) to make the unit level BEFORE making any adjustment to the hinges, as shown.

### **b:** Height adjustment.

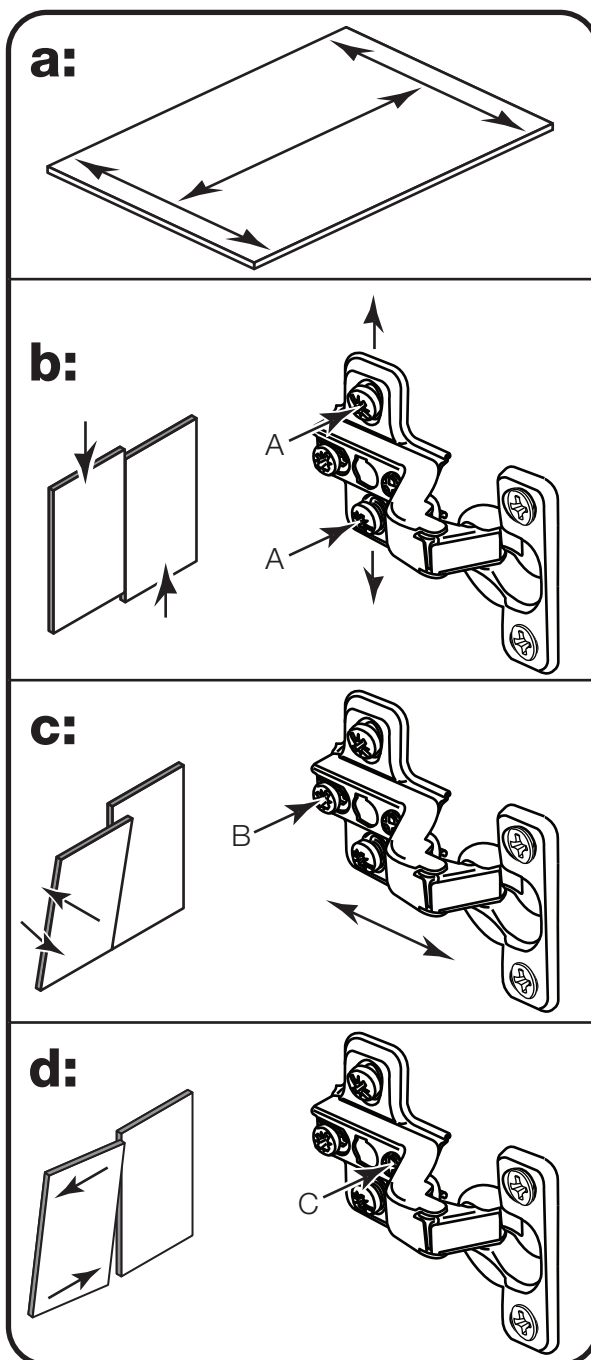
Loosen screws A on hinge plates and move door up or down as required. Retighten screw A.

### **c:** Forward and Back adjustment.

Loosen screw B on hinge plate and move door in or out as required. Retighten screw B.

### **d:** Sideways adjustment.

To move door 'out' loosen screw C. To move door 'in' tighten screw C.



# Assembly Instructions

## Step 30

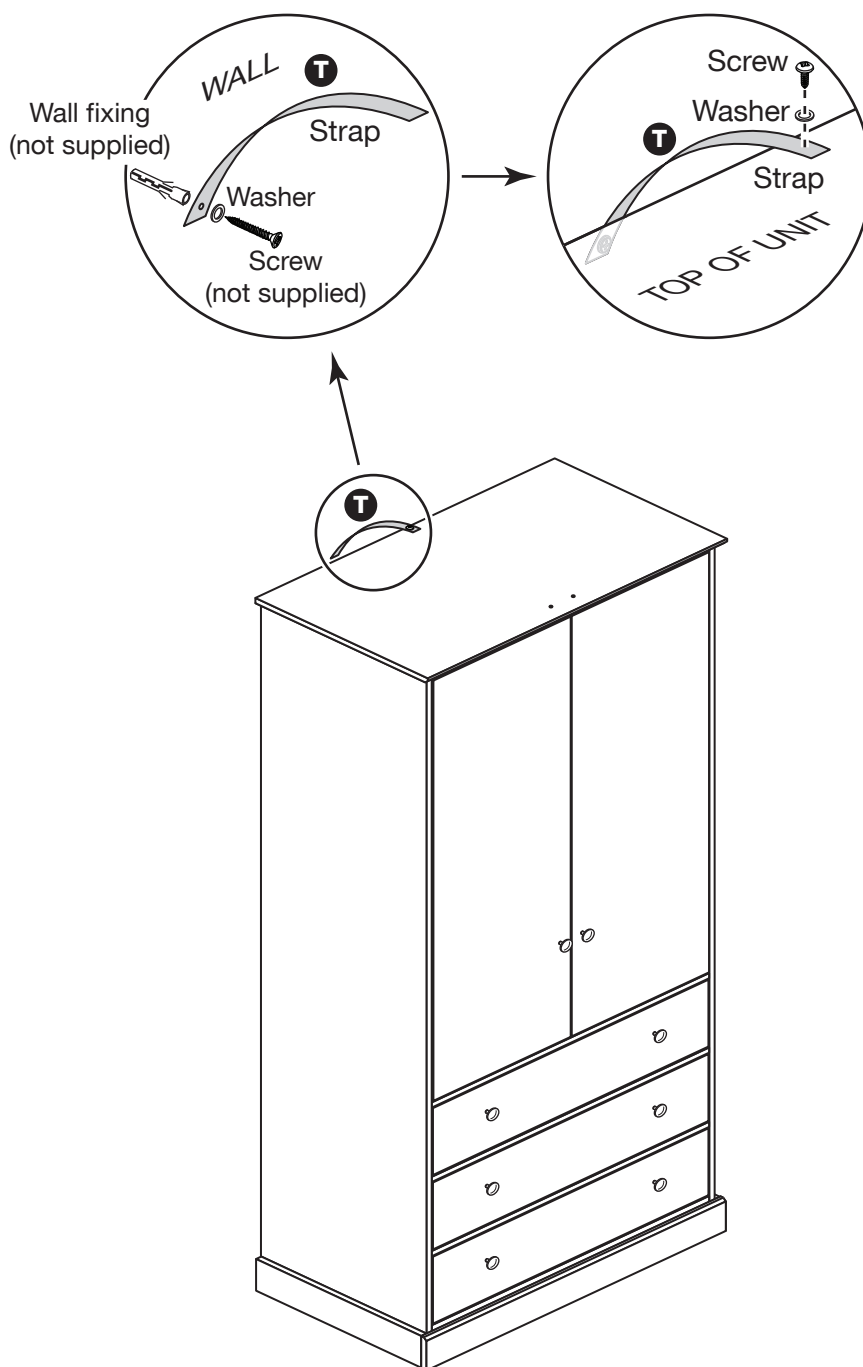
### Fit the overbalance protector

To prevent possible overbalancing we recommend that this unit is secured to a suitable wall by fitting of the overbalance protector kit **T** to the unit, or an alternative fixing method of your choice.

Wall fixings are not supplied as they will need to suit the wall type.

**Note:** Take care when drilling the wall that you do not drill into any pipes, wires etc. If in doubt, consult an expert.

**Assembly is complete**



If you need help or have damaged or missing parts, please visit [www.argos-support.co.uk](http://www.argos-support.co.uk) or email: [Help@ClickSpares.co.uk](mailto:Help@ClickSpares.co.uk) (quoting your original order number)  
Alternatively, call the Spares Helpline on: 0370 112 1928.  
For any other queries please contact the Customer Helpline on: 0345 640 2020



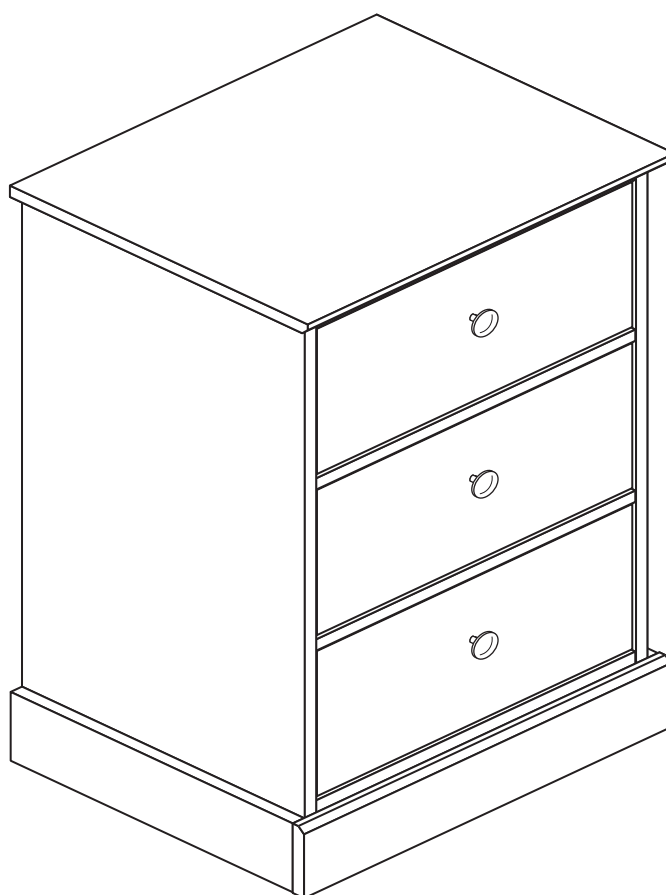


# Kensington - 3 Drawer Bedside

Assembly Instructions - Please keep for future reference

423/7824

426/5487



## Dimensions

Width - 48.5cm

Depth - 39.4cm

Height - 76.1cm



**MADE IN  
BRITAIN**

**Important** - Please read these instructions fully before starting assembly

If you need help or have damaged or missing parts, please visit [www.argos-support.co.uk](http://www.argos-support.co.uk) or email: [Help@ClickSpares.co.uk](mailto:Help@ClickSpares.co.uk) (quoting your original order number)

Alternatively, call the Spares Helpline on: 0370 112 1928.

For any other queries please contact the Customer Helpline on: 0345 640 2020



# Safety and Care Advice

## Important - Please read these instructions fully before starting assembly

• **Warning:** This unit weighs approximately 20kgs. Please lift with care.

• Check you have all the components and tools listed on pages 1, 2 and 3.

• Remove all fittings from the plastic bags and separate them into their groups.

• Keep children and animals away from the work area, small parts could choke if swallowed.

• Parts of the assembly will be easier with 2 people.

• Make sure you have enough space to layout the parts before starting.

• Do not stand or put weight on the product, this could cause damage.

• Assemble the item as close to its final position (in the same room) as possible.

• Assemble on a soft level surface to avoid damaging the unit or your floor (use opened out unit carton).



• We do not recommend the use of power drill/drivers **for inserting screws**, as this could damage the unit. Only use hand screwdrivers.

• **Safety note:** It is recommended that this unit is secured to a wall using the overbalance protector kit supplied or, an alternative fixing method of your choice.

• Dispose of all packaging carefully and responsibly.

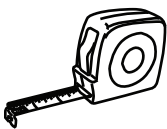
## Care and maintenance

• Only clean using a damp cloth and mild detergent, do not use bleach or abrasive cleaners.

• From time to time check that there are no loose screws on this unit.

• This product should not be discarded with household waste. Take to your local authority waste disposal centre.

## Tools required



Rule



Cross-head screwdriver



Scissors



Hammer



Eye protection (when using a hammer or drill)



Electric drill (do not use for fitting screws)

**Note:** If required the next page can be cut out and used as reference throughout the assembly. Keep this page with these instructions for future reference.

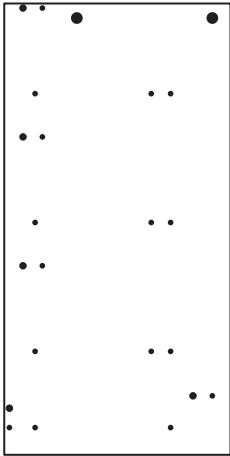
# Components - Panels

If you need help or have damaged or missing parts, please visit [www.argos-support.co.uk](http://www.argos-support.co.uk) or email: [Help@ClickSpares.co.uk](mailto:Help@ClickSpares.co.uk) (quoting your original order number)

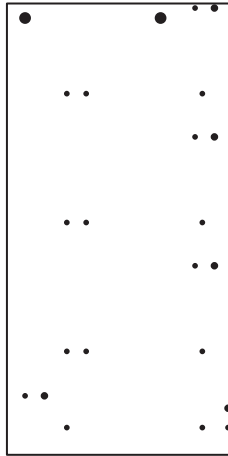
Alternatively, call the Spares Helpline on: 0370 112 1928.

For any other queries please contact the Customer Helpline on: 0345 640 2020

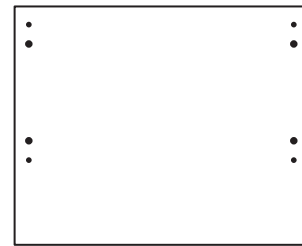
Please check you have all the panels listed below



**1** Left Side (DF2404)  
(74.6 x 37.4cm)



**2** Right Side (DF2405)  
(74.6 x 37.4cm)



**3** Top (DF2380)  
(48.5 x 39.4cm)



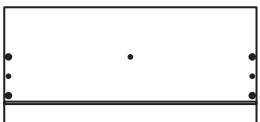
**4** Rail (DF2383)  
(42.3 x 9.2cm) x 5



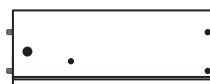
**5** Front Plinth (DF2385)  
(48.5 x 9.2cm)



**6** Side Plinth (DF2386)  
(37.4 x 9.1cm) x 2



**7** Drawer Front (DF2384)  
(41.7 x 19.2cm) x 3



**8** Left Drawer Side (W330-124LH)  
(33 x 12.4cm) x 3



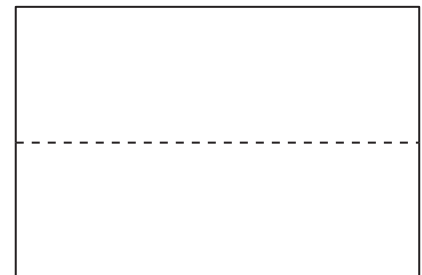
**9** Right Drawer Side (W330-124RH)  
(33 x 12.4cm) x 3



**10** Drawer Back (W390-124)  
(39 x 12.4cm) x 3



**11** Drawer Base (T401-327)  
(40.1 x 32.7cm) x 3



**12** Back (X667-449)  
(66.7 x 44.9cm)



# Components - Fittings

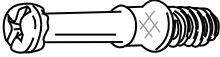


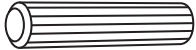
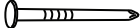






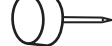


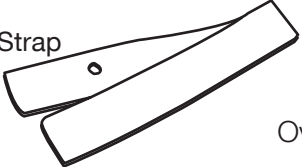


If you need help or have damaged or missing parts, please visit [www.argos-support.co.uk](http://www.argos-support.co.uk) or email: [Help@ClickSpares.co.uk](mailto:Help@ClickSpares.co.uk) (quoting your original order number)

Alternatively, call the Spares Helpline on: 0370 112 1928.

For any other queries please contact the Customer Helpline on: 0345 640 2020

Please check you have all the fittings listed below

**Note:** The quantities below are the correct amount to complete the assembly. In some cases more fittings may be supplied than are required.

<p><b>A</b> </p> <p>Metal dowel (F901) x 22</p>	<p><b>B</b> </p> <p>Large locking nut (F900) x 16</p>	<p><b>C</b> </p> <p>Small locking nut (F3) x 6</p>
<p><b>D</b> </p> <p>Wooden dowel (F22) x 16</p>	<p><b>E</b> </p> <p>Nail (F51) x 16</p>	<p><b>F</b> </p> <p>Knock-in Peg (F171GY) x 12</p>
<p><b>G</b> </p> <p>25mm Screw (F50) x 4</p>	<p><b>H</b> </p> <p>19mm Screw (F461) x 3</p>	<p><b>I</b> </p> <p>9mm Screw (F74) x 6</p>
<p><b>J</b> </p> <p>9mm Screw (F73) x 12</p>	<p><b>K</b> </p> <p>Wedgifix (F639) x 6</p>	<p><b>L</b> </p> <p>Plastic Nail (F91) x 4</p>
<p><b>M</b> </p> <p>Drawer runner (F1004) x 6</p>		<p><b>N</b> </p> <p>Handle (F220) x 3</p>
<p><b>O</b>   Screw  Washer x 2</p> <p>Overbalance protector kit (F269) x 1</p>		

Ruler - Use this ruler to help correctly identify the screws





# Assembly Instructions

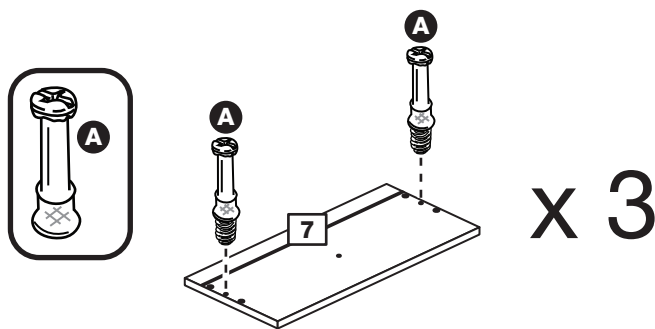
If you have damaged or missing components, call the  
**Customer Helpline: 03456 400800** quoting the reference  
numbers below

## Step 1

### Prepare the 3 drawer fronts

Screw 2 metal dowels **A** into each of the drawer fronts **7**.

**Note:** Tighten the metal dowels up fully against the panels.

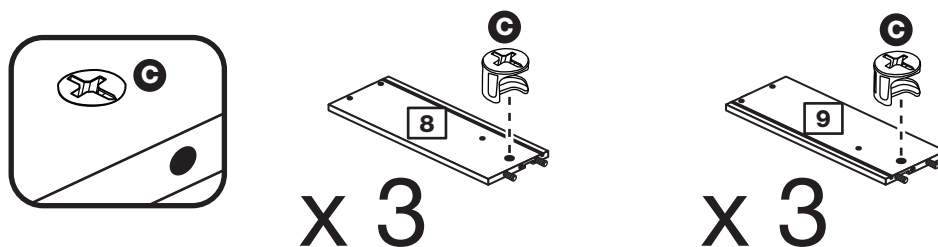


## Step 2

### Prepare the drawer sides

Insert a small locking nut **C** into the hole shown on the left drawer side **8** and the right drawer side **9**.

**Note:** The arrow on the locking nut **must** point towards the hole in the edge of the panel.



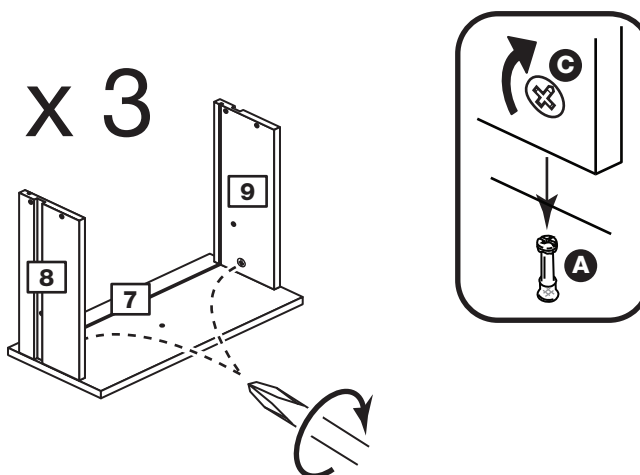
## Step 3

### Attach the drawer sides to the drawer fronts

Push the left drawer sides **8** and right drawer sides **9** onto the back of the drawer fronts **7**.

Turn the small locking nuts **C** on the left drawer side **8** and right drawer side **9**.

**Note:** Turn the locking nuts **C** clockwise to secure panels - more than 1/2 a turn.

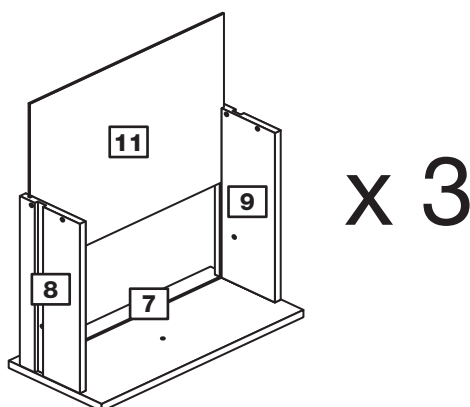


# Assembly Instructions

## Step 4

### Fit the drawer base

Slide the drawer base **11** down the grooves in the drawer sides **8** and **9** and down into the groove in the drawer front **7**.

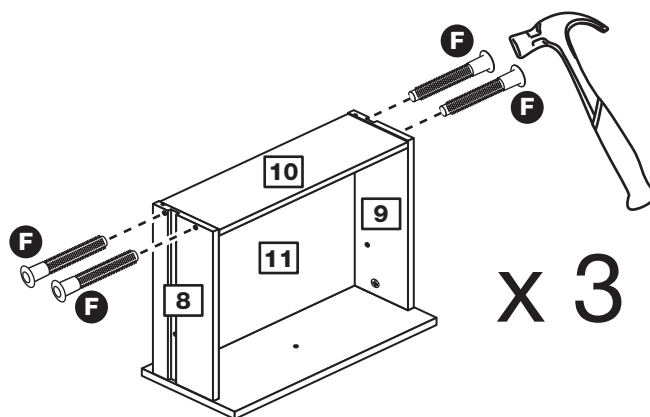


## Step 5

### Fit the drawer back

Fit the drawer back **10** between the drawer sides **8** and **9**. Make sure that the drawer base **11** fits into the groove in the drawer back **10**.

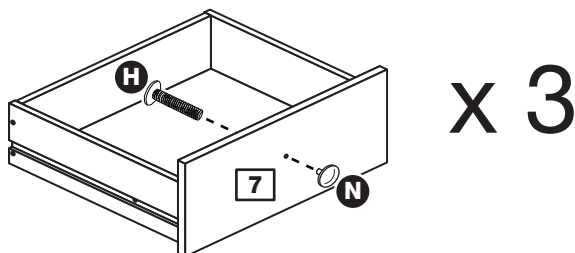
Hold the drawer back **10** in position and tap the knock-in pegs **F** through the holes in the drawer sides **8** and **9**.



## Step 6

### Attach the handles

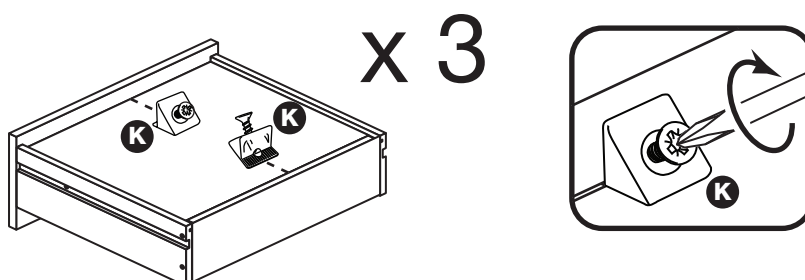
Attach a handle **N** to each of the drawer fronts **7** using screw **H**.



## Step 7

### Fit the wedgifixes

Turn the drawer assemblies over and slide 2 wedgifixes **K** into the front and back grooves, as shown, and tighten up the screws.



# Assembly Instructions

## Step 8

### Prepare the left side

**a:** Place 3 runners **M** on the left side **1** as shown. Slide back the top of runner and use the 2nd hole from the front to fit the 1st screw **J**.

**b:** Slide the runner **M** back the other way and fit the 2nd screw **J** into the corresponding hole in the left side **1**.

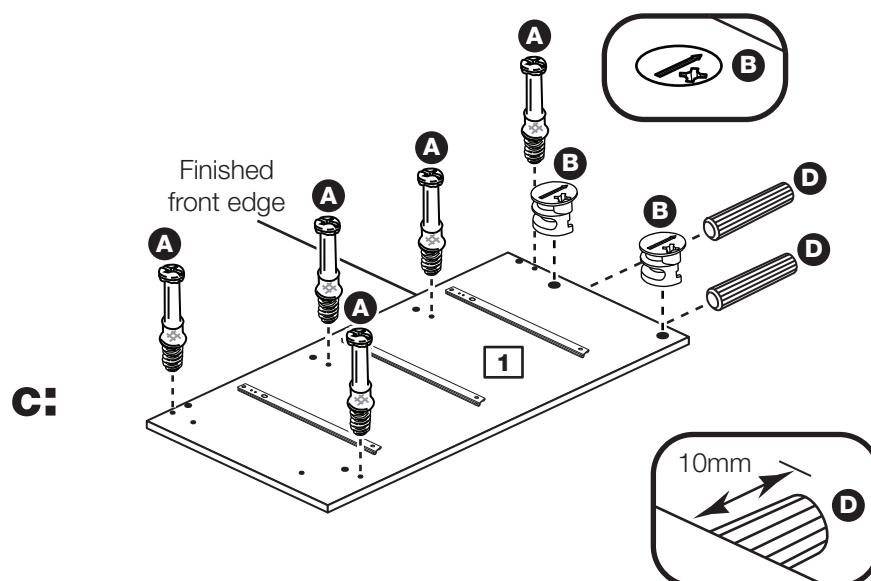
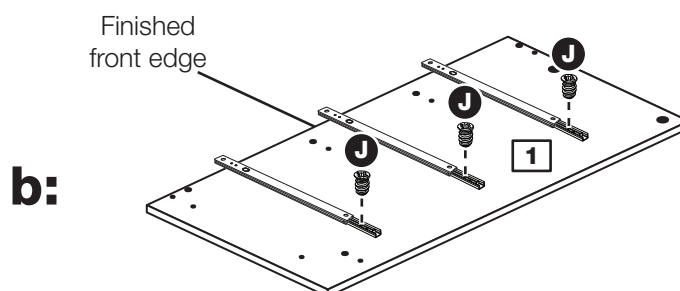
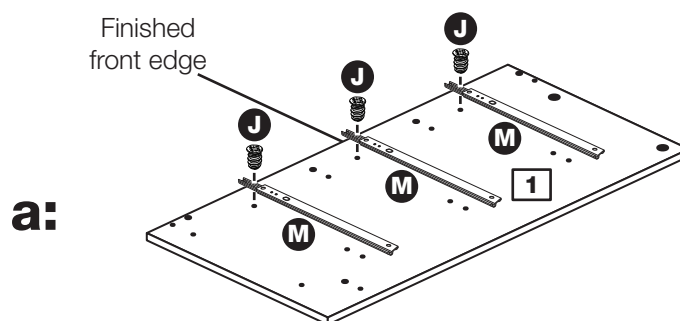
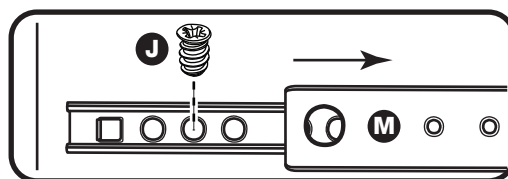
**c:** Screw 5 metal dowels **A** into the left side **1**.

Insert 2 large locking nuts **B** into the left side **1**.

**Note:** The arrow on the locking nuts **must** point towards the hole in the edge of the panel.

Tap 2 wooden dowels **D** into the left side **1**.

**Note:** Wooden dowels **must not** stick out from the edge by more than 10mm or they may damage other panels.



# Assembly Instructions

## Step 9

### Prepare the right side

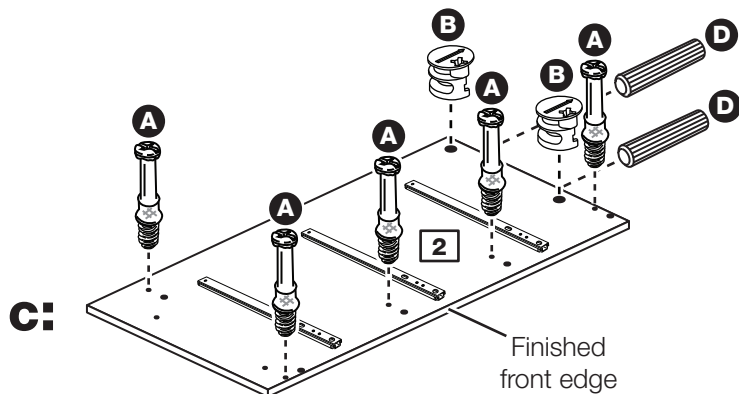
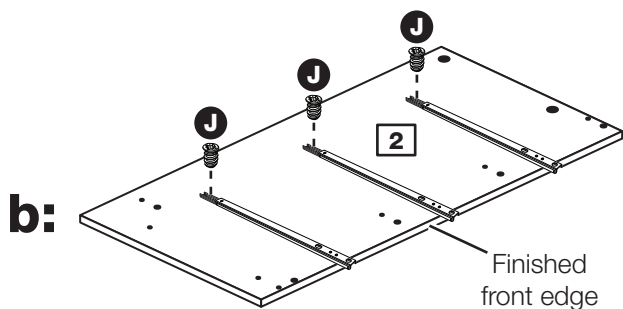
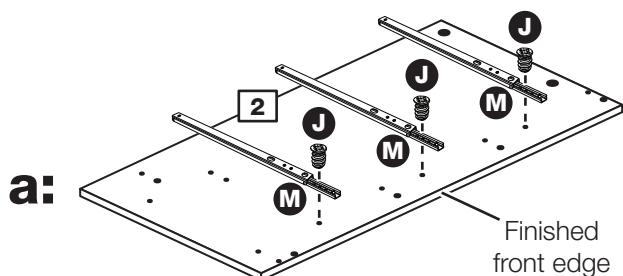
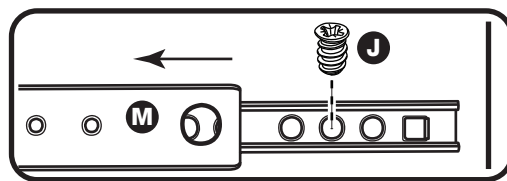
**a:** Place 3 runners **M** on the right side **2** as shown. Slide back the top of runner and use the 2nd hole from the front to fit the 1st screw **J**.

**b:** Slide the runner **M** back the other way and fit the 2nd screw **J** into the corresponding hole in the right side **2**.

**c:** Screw 5 metal dowels **A** into the right side **2**.

Insert 2 large locking nuts **B** into the right side **2**.

Tap 2 wooden dowels **D** into the right side **2**.



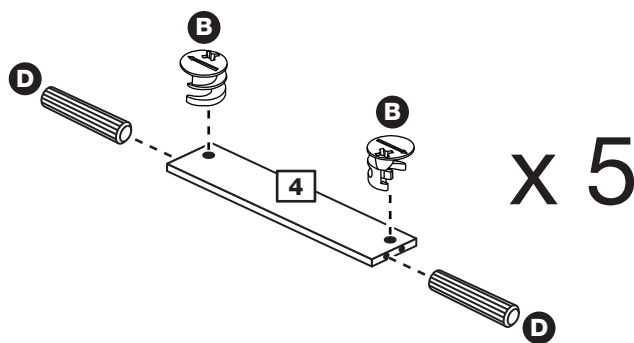
# Assembly Instructions

## Step 10

### Prepare the 5 rails

Insert 2 large locking nuts **B** into each of the 5 rails **4**.

Tap 2 wooden dowels **D** into each of the 5 rails **4**.



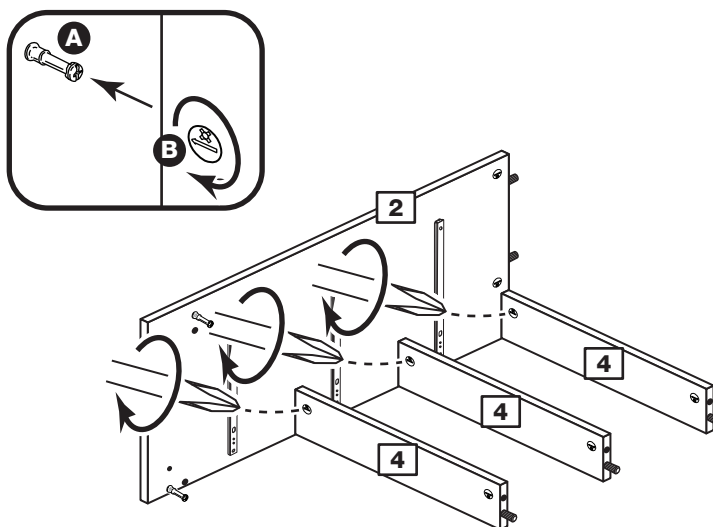
## Step 11

### Fit 3 of the rails to the right side

Push 3 rails **4** onto the right side **2**.

Use a screwdriver to tighten the large locking nut **B** fitted to each of the rails **4**.

**Note:** Turn the large locking nuts **B** as far as they will go - more than 1/2 a turn.

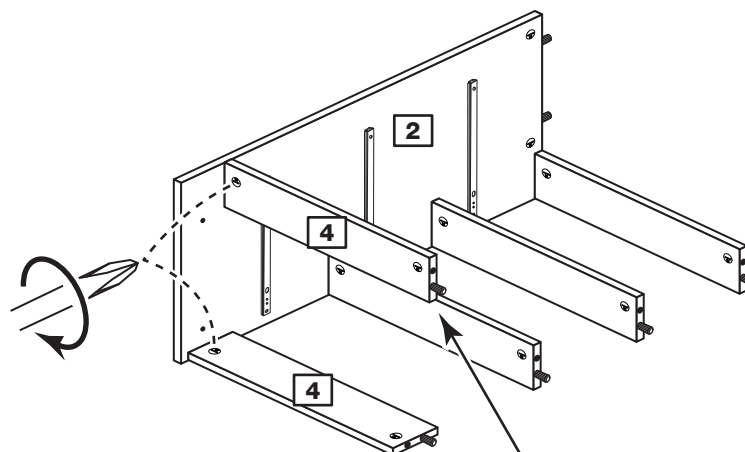


## Step 12

### Fit the other 2 rails to the right side

Push the 2 rails **4** onto the right side **2**.

Use a screwdriver to tighten the large locking nut **B** fitted to each of the rails **4**.



**Note:** Fit the rail at the back last and support it until the left side has been fitted in the next step.

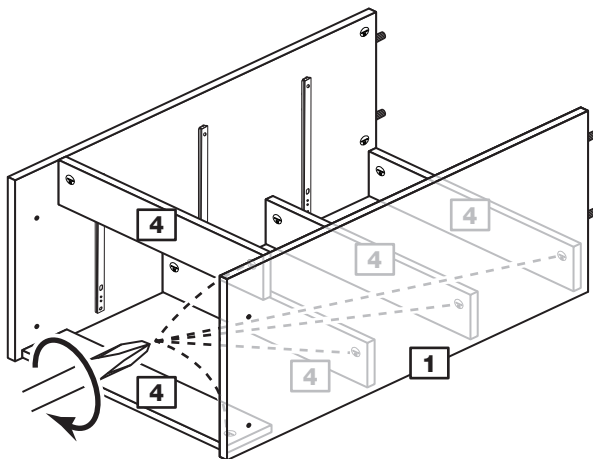
# Assembly Instructions

## Step 13

### Fit the left side

Push the left side **1** onto the rails **4**.

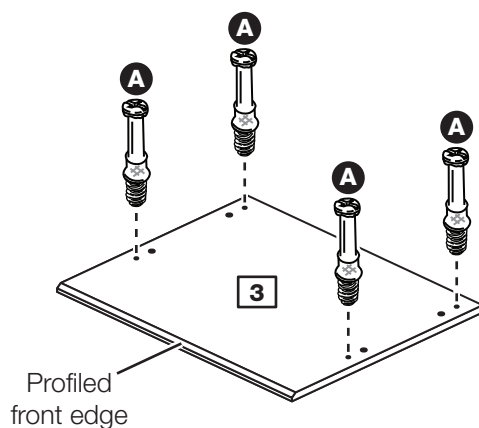
Use a screwdriver to tighten the large locking nut **B** fitted to each of the rails **4**.



## Step 14

### Prepare the top

Screw 4 metal dowels **A** into the top **3**.



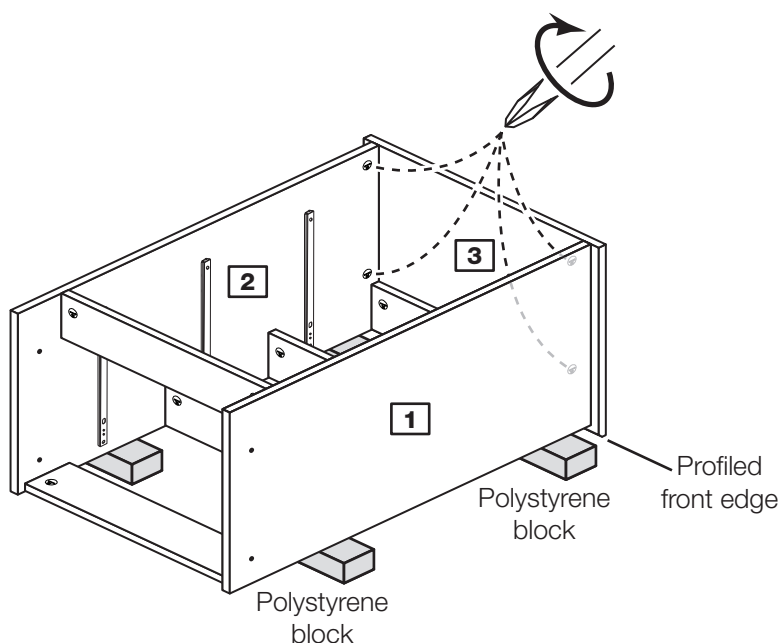
## Step 15

### Fit the top

**Note:** To make it easier to fit the top and plinths, place polystyrene blocks from the packaging underneath the side panels to raise the assembly.

Push the top **3** onto the assembly.

Use a screwdriver to tighten the 2 large locking nuts **B** fitted to each of the sides **1** and **2**.



# Assembly Instructions

## Step 16

### Fit the back

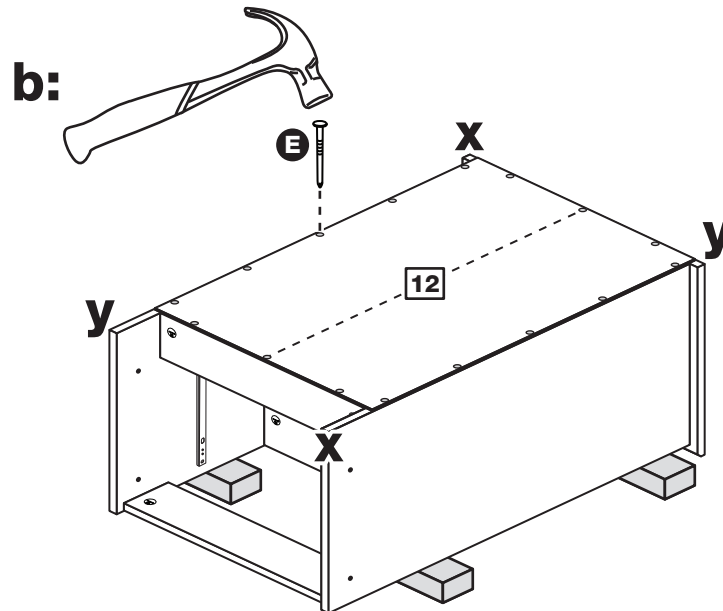
**a:** Square up the unit by making sure that measurement **x to x** equals **y to y**.

**b:** Place the back **12** onto the unit.

Nail **E** around the outside edges of the back **12**.

**Note:** Nails should be spaced about 150mm apart.

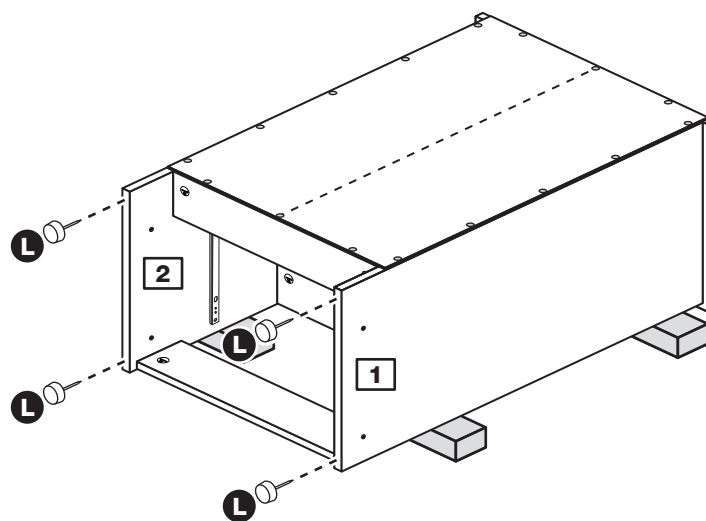
**a:** The measurement from top corner X to bottom corner X must be equal to the measurement from top corner Y to bottom corner Y



## Step 17

### Fit the 4 plastic nails

Tap 2 plastic nails **L** into the bottom edge of each of the sides **1** and **2**.



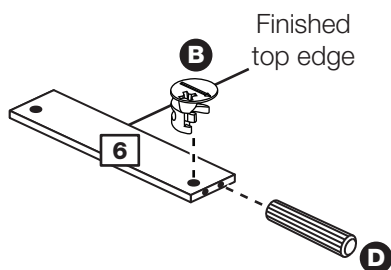
# Assembly Instructions

## Step 18

### Prepare a side plinth

Insert a large locking nut **B** into 1 of the side plinths **6**.

Tap a wooden dowel **D** into the side plinth **6**.

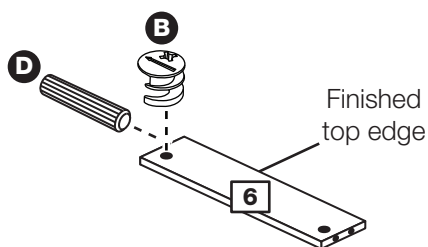


## Step 19

### Prepare the other side plinth

Insert a large locking nut **B** into the side plinth **6**.

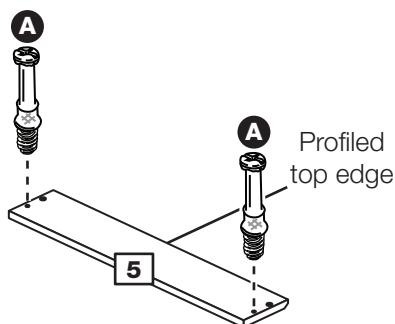
Tap a wooden dowel **D** into the side plinth **6**.



## Step 20

### Prepare the front plinth

Screw 2 metal dowels **A** into the front plinth **5**.

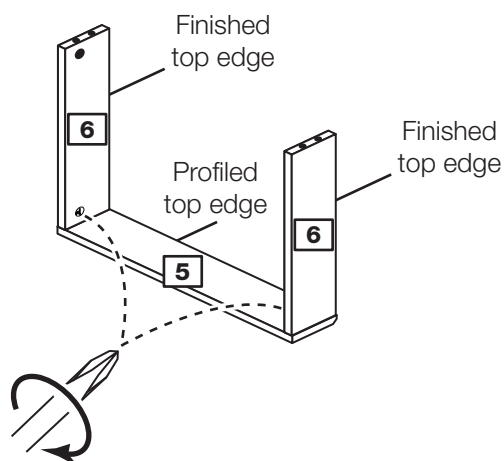


## Step 21

### Fit the plinths together

Push the 2 side plinths **6** onto the front plinth **5**.

Use a screwdriver to tighten the large locking nuts **B** fitted to the side plinths **6**.





# Assembly Instructions

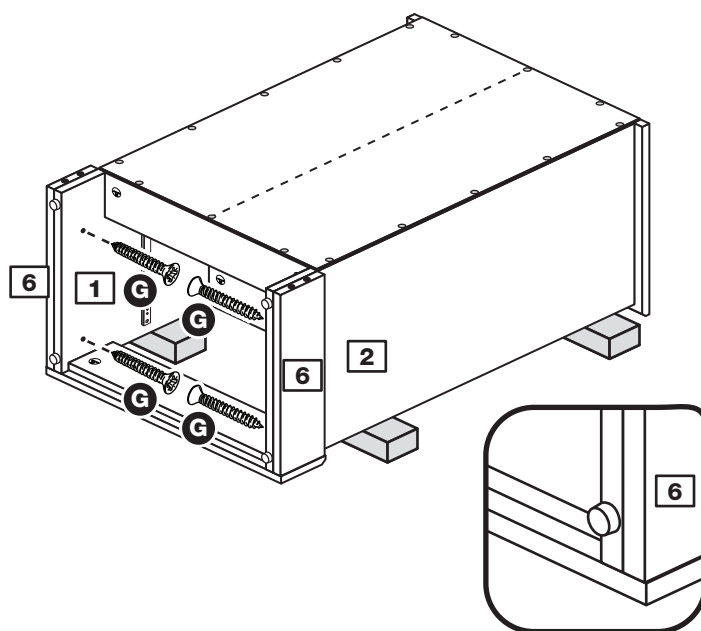
## Step 22

### Fit the plinths

Position the 3 plinths onto the assembly ensuring that the bottom edge of the plinths are flush with the bottom edge of the sides, as shown.

Secure the 2 side plinths **6** through the left end **1** and right end **2** using screws **G**.

**Carefully stand the unit up for the next step.**



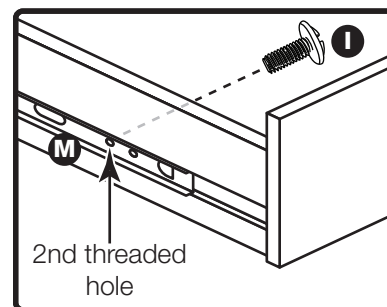
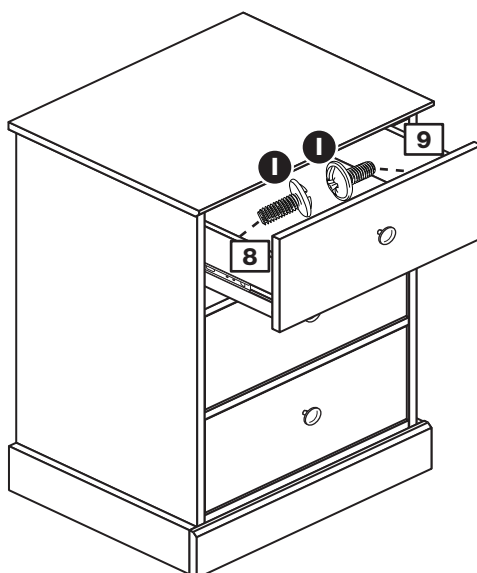
## Step 23

### Fit the drawers

Starting with the bottom drawer, slide both the runners **M** forward and locate the drawer sides **8** and **9** between them, lining up the holes in the drawer wrap with the 2nd 'threaded' holes in the runners **M**.

Working from the inside of the drawer, insert 2 screws **I** through the drawer sides and out into the 2nd threaded hole in the runner.


**Note:** Do not overtighten the screws **I**.  
If they catch on the runner you may need to loosen them slightly.



# Assembly Instructions

## Step 24

### Fit the overbalance protector kit

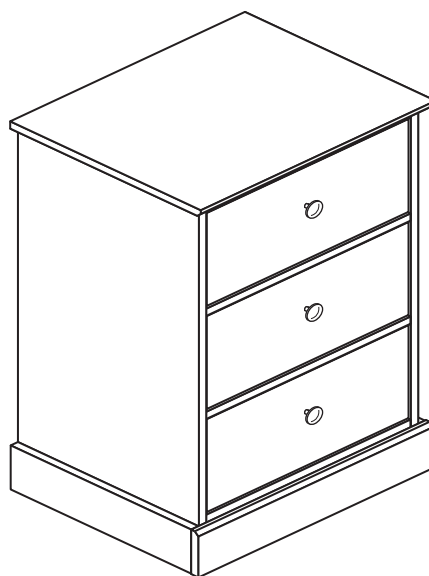
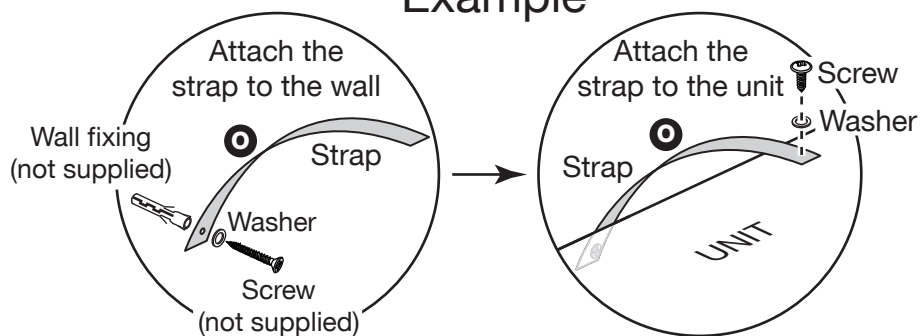
To prevent possible overbalancing we recommend that this unit is secured to a suitable wall by fitting of the overbalance protector kit  to the unit, or an alternative fixing method of your choice.

Wall fixings are not supplied as they will need to suit the wall type.

**Note:** Take care when drilling the wall that you do not drill into any pipes, wires etc. If in doubt, consult an expert.

**Assembly is complete**

### Example



If you need help or have damaged or missing parts, please visit [www.argos-support.co.uk](http://www.argos-support.co.uk) or email: [Help@ClickSpares.co.uk](mailto:Help@ClickSpares.co.uk) (quoting your original order number)  
Alternatively, call the Spares Helpline on: 0370 112 1928.  
For any other queries please contact the Customer Helpline on: 0345 640 2020



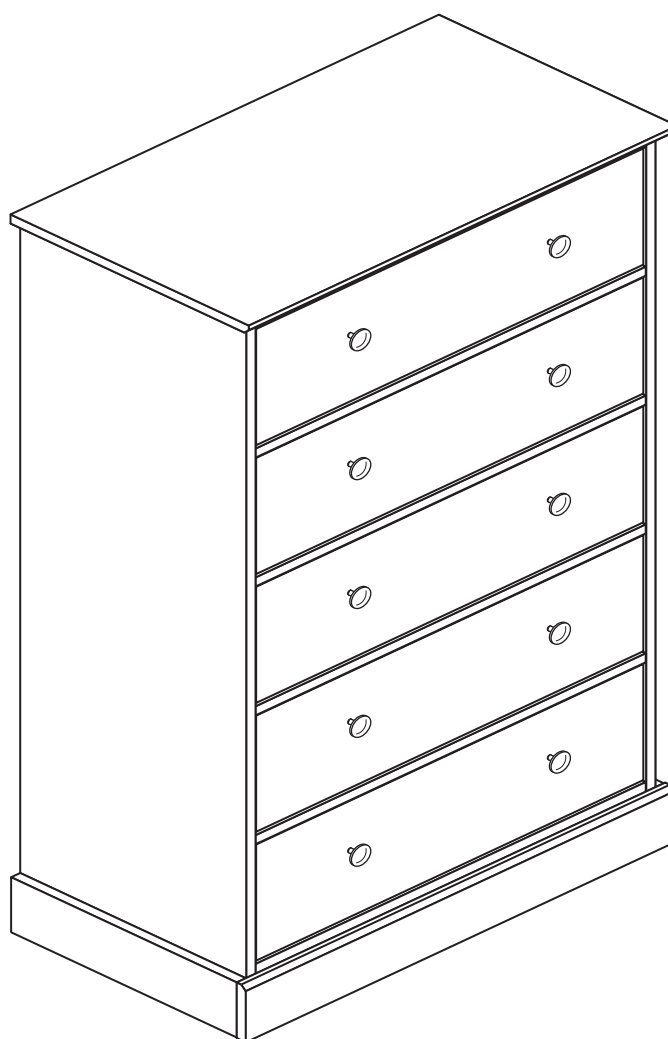


# Kensington - 5 Drawer Chest

Assembly Instructions - Please keep for future reference

397/6337

392/6648



## Dimensions

Width - 48.5cm

Depth - 39.4cm

Height - 118.7cm



**MADE IN  
BRITAIN**

**Important** - Please read these instructions fully before starting assembly

If you need help or have damaged or missing parts, please visit [www.argos-support.co.uk](http://www.argos-support.co.uk) or email: [Help@ClickSpares.co.uk](mailto:Help@ClickSpares.co.uk) (quoting your original order number)

Alternatively, call the Spares Helpline on: 0370 112 1928.

For any other queries please contact the Customer Helpline on: 0345 640 2020



# Safety and Care Advice

**Important - Please read these instructions fully before starting assembly**

- **Warning:** This unit weighs approximately 37kgs. Please lift with care.

- Check you have all the components and tools listed on pages 2 and 3.

- Remove all fittings from the plastic bags and separate them into their groups.

- Keep children and animals away from the work area, small parts could choke if swallowed.

- Parts of the assembly will be easier with 2 people.

- Make sure you have enough space to layout the parts before starting.

- Do not stand or put weight on the product, this could cause damage.

- Assemble the item as close to its final position (in the same room) as possible.

- Assemble on a soft level surface to avoid damaging the unit or your floor (use opened out unit carton).



- We do not recommend the use of power drill/drivers **for inserting screws**, as this could damage the unit. Only use hand screwdrivers.

- **Safety note:** It is recommended that this unit is secured to a wall using the overbalance protector kit supplied or, an alternative fixing method of your choice.

- Dispose of all packaging carefully and responsibly.

## Care and maintenance

- Only clean using a damp cloth and mild detergent, do not use bleach or abrasive cleaners.

- From time to time check that there are no loose screws on this unit.

- This product should not be discarded with household waste. Take to your local authority waste disposal centre.

**Note:** If required the next page can be cut out and used as reference throughout the assembly. Keep this page with these instructions for future reference.

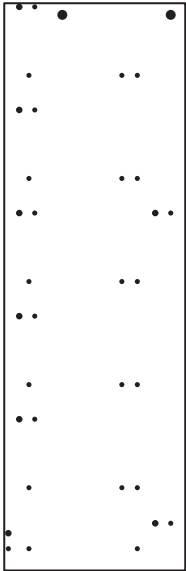
# Components - Panels

If you need help or have damaged or missing parts, please visit [www.argos-support.co.uk](http://www.argos-support.co.uk) or email: [Help@ClickSpares.co.uk](mailto:Help@ClickSpares.co.uk) (quoting your original order number)

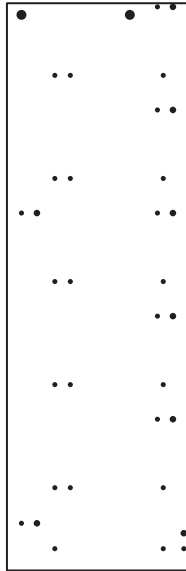
Alternatively, call the Spares Helpline on: 0370 112 1928.

For any other queries please contact the Customer Helpline on: 0345 640 2020

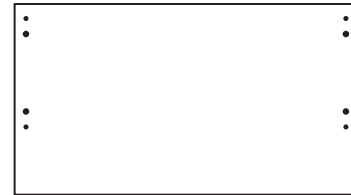
Please check you have all the panels listed below



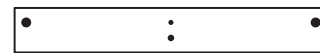
**1** Left Side (DF3754)  
(117.2 x 37.4cm)



**2** Right Side (DF3755)  
(117.2 x 37.4cm)



**3** Top (DF2403)  
(70.8 x 39.4cm)



**4** Rail (DF2406)  
(64.6 x 9.2cm) x 8



**5** Front Plinth (DF2408)  
(70.8 x 9.2cm)



**6** Side Plinth (DF2386)  
(37.4 x 9.1cm) x 2



**7** Drawer Front (DF2407)  
(64 x 19.2cm) x 5



**8** Left Drawer Side (W330-124LH)  
(33 x 12.4cm) x 5



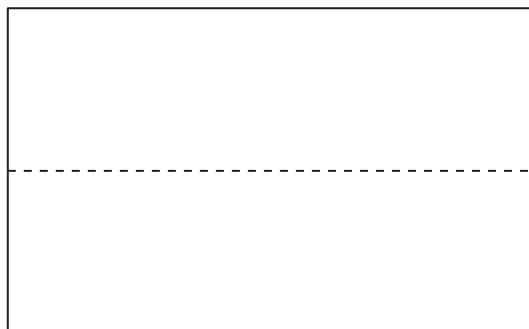
**9** Right Drawer Side (W330-124RH)  
(33 x 12.4cm) x 5



**10** Drawer Back (W613-124)  
(61.3 x 12.4cm) x 5



**11** Drawer Base (T624-327)  
(62.4 x 32.7cm) x 5



**12** Back (X1093-672)  
(109.3 x 67.2cm)



# Components - Fittings

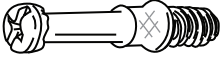


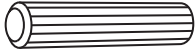
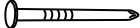






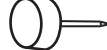


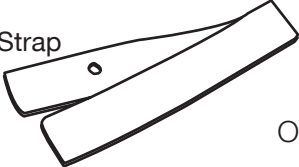


If you need help or have damaged or missing parts, please visit [www.argos-support.co.uk](http://www.argos-support.co.uk) or email: [Help@ClickSpares.co.uk](mailto:Help@ClickSpares.co.uk) (quoting your original order number)

Alternatively, call the Spares Helpline on: 0370 112 1928.

For any other queries please contact the Customer Helpline on: 0345 640 2020

Please check you have all the fittings listed below

**Note:** The quantities below are the correct amount to complete the assembly. In some cases more fittings may be supplied than are required.

<p><b>A</b> </p> <p>Metal dowel (F901) x 32</p>	<p><b>B</b> </p> <p>Large locking nut (F900) x 22</p>	<p><b>C</b> </p> <p>Small locking nut (F3) x 10</p>
<p><b>D</b> </p> <p>Wooden dowel (F22) x 22</p>	<p><b>E</b> </p> <p>Nail (F51) x 24</p>	<p><b>F</b> </p> <p>Knock-in Peg (F171GY) x 20</p>
<p><b>G</b> </p> <p>25mm Screw (F50) x 5</p>	<p><b>H</b> </p> <p>19mm Screw (F461) x 10</p>	<p><b>I</b> </p> <p>9mm Screw (F74) x 10</p>
<p><b>J</b> </p> <p>9mm Screw (F73) x 20</p>	<p><b>K</b> </p> <p>Wedgifix (F639) x 20</p>	<p><b>L</b> </p> <p>Plastic Nail (F91) x 4</p>
<p><b>M</b> </p> <p>Drawer runner (F1004) x 10</p>		<p><b>N</b> </p> <p>Handle (F220) x 10</p>
<p><b>O</b>   Screw  Washer x 2</p> <p>Overbalance protector kit (F269) x 1</p>		

Ruler - Use this ruler to help correctly identify the screws





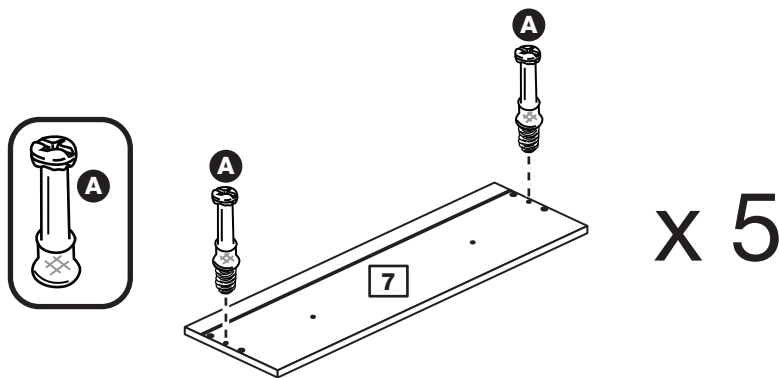
# Assembly Instructions

## Step 1

### Prepare the 5 drawer fronts

Screw 2 metal dowels **A** into each of the drawer fronts **7**.

**Note:** Tighten the metal dowels up fully against the panels.

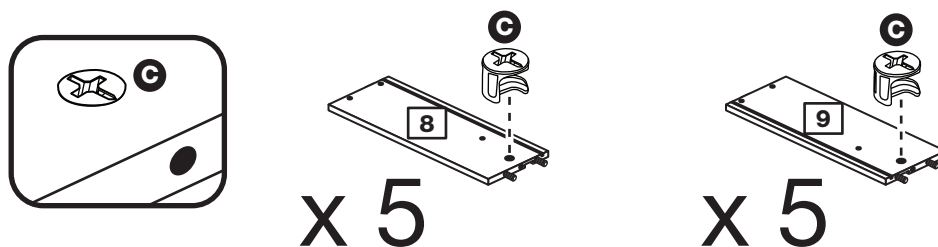


## Step 2

### Prepare the drawer sides

Insert a small locking nut **C** into the hole shown on the left drawer side **8** and the right drawer side **9**.

**Note:** The arrow on the locking nut **must** point towards the hole in the edge of the panel.



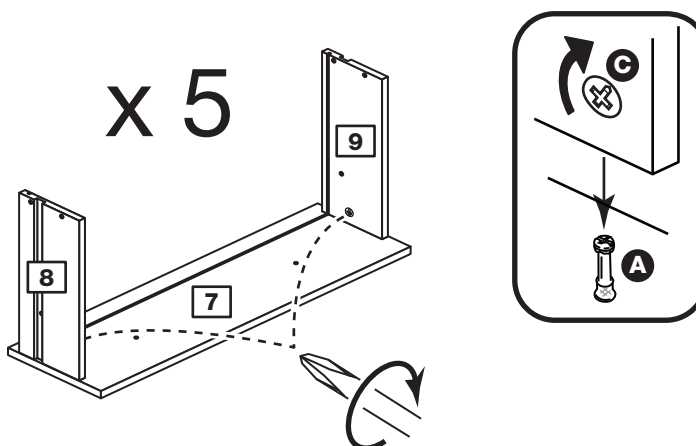
## Step 3

### Attach the drawer sides to the drawer fronts

Push the left drawer sides **8** and right drawer sides **9** onto the back of the drawer fronts **7**.

Turn the small locking nuts **C** on the left drawer side **8** and right drawer side **9**.

**Note:** Turn the locking nuts **C** clockwise to secure panels - more than 1/2 a turn.

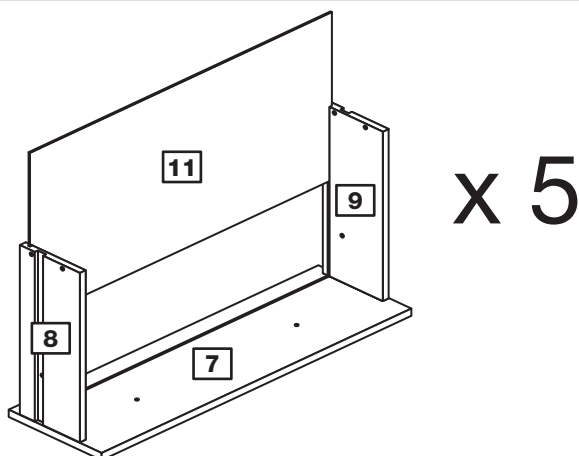


# Assembly Instructions

## Step 4

### Fit the drawer base

Slide the drawer base **11** down the grooves in the drawer sides **8** and **9** and down into the groove in the drawer front **7**.

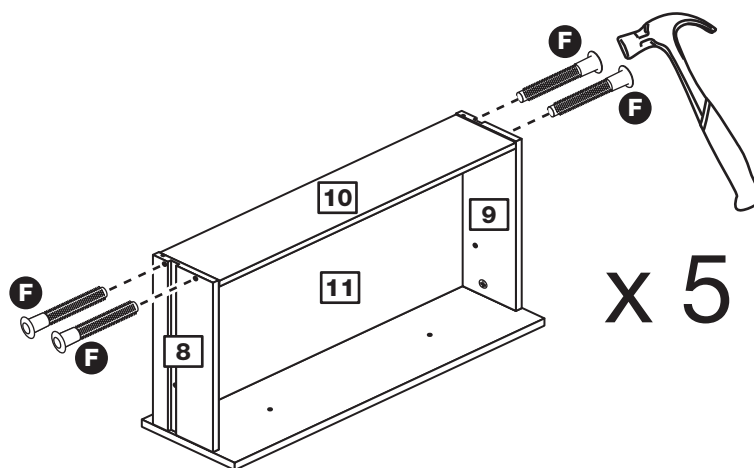


## Step 5

### Fit the drawer back

Fit the drawer back **10** between the drawer sides **8** and **9**. Make sure that the drawer base **11** fits into the groove in the drawer back **10**.

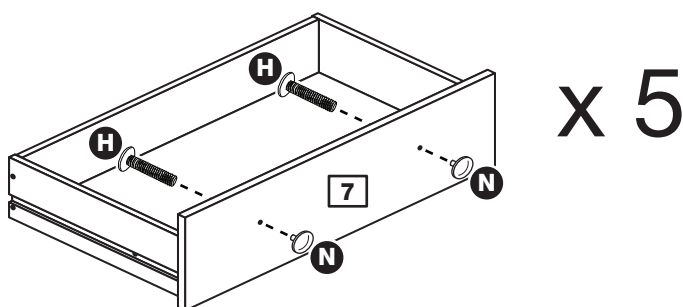
Hold the drawer back **10** in position and tap the knock-in pegs **F** through the holes in the drawer sides **8** and **9**.



## Step 6

### Attach the handles

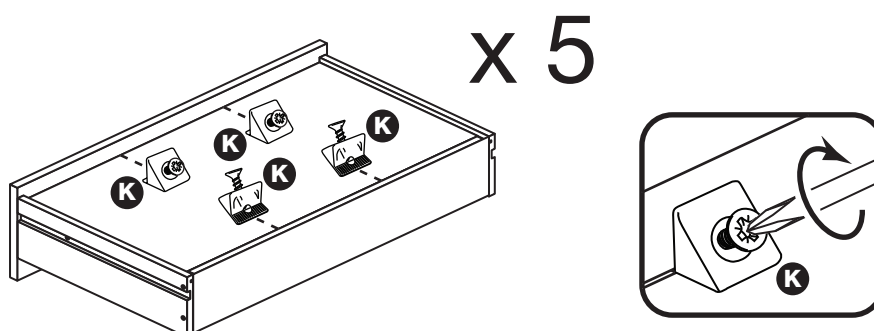
Attach 2 handles **N** to each of the drawer fronts **7** using screws **H**.



## Step 7

### Fit the wedgifixes

Turn the drawer assemblies over and slide 4 wedgifixes **K** into the front and back grooves, as shown, and tighten up the screws.



# Assembly Instructions

## Step 8

### Prepare the left side

**a:** Place 5 runners **M** on the left side **1** as shown. Slide back the top of runner and use the 2nd hole from the front to fit the 1st screw **J**.

**b:** Slide the runner **M** back the other way and fit the 2nd screw **J** into the corresponding hole in the left side **1**.

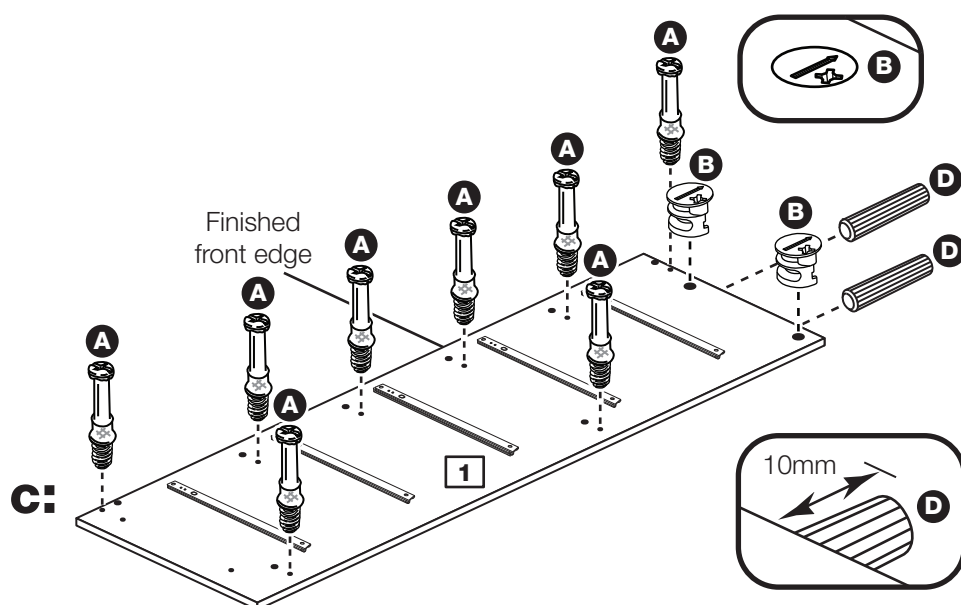
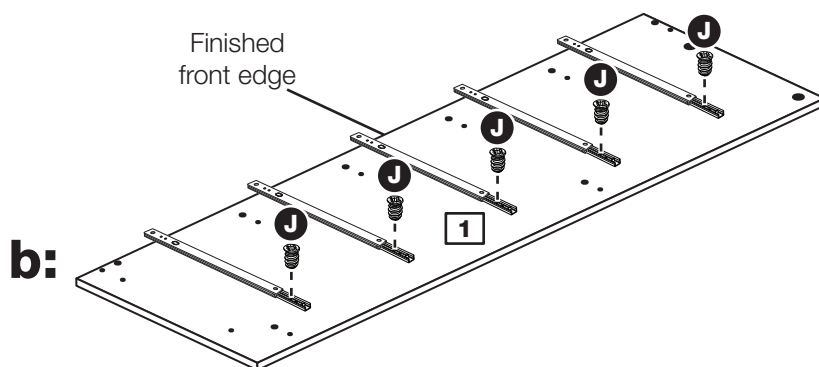
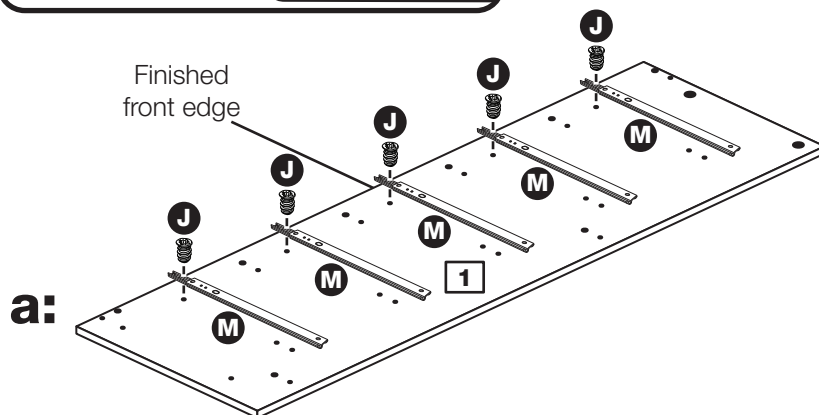
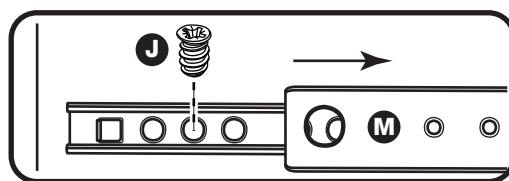
**c:** Screw 8 metal dowels **A** into the left side **1**.

Insert 2 large locking nuts **B** into the left side **1**.

**Note:** The arrow on the locking nuts **must** point towards the hole in the edge of the panel.

Tap 2 wooden dowels **D** into the left side **1**.

**Note:** Wooden dowels **must not** stick out from the edge by more than 10mm or they may damage other panels.



# Assembly Instructions

## Step 9

### Prepare the right side

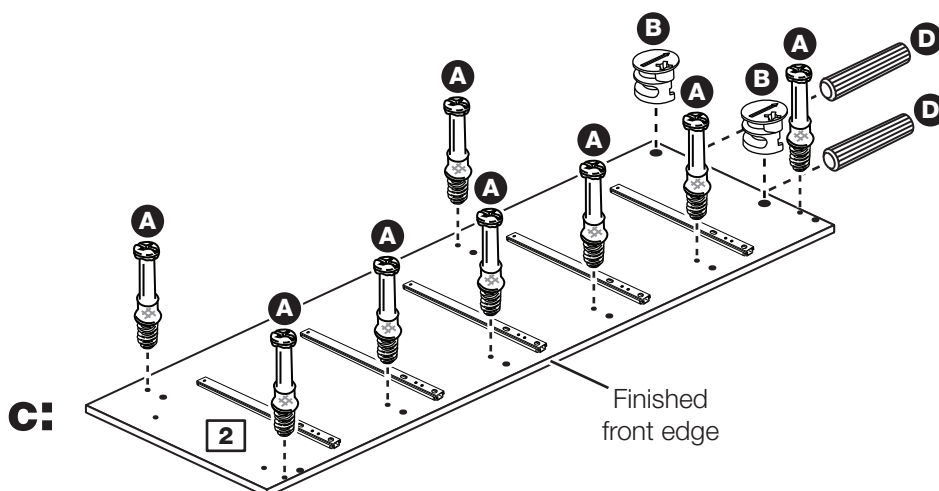
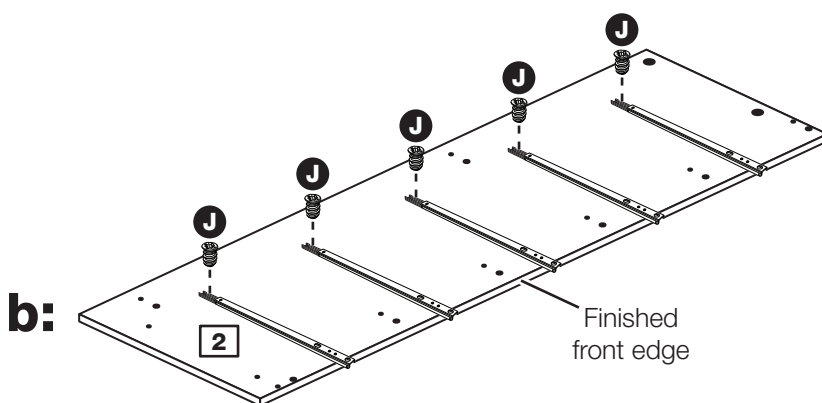
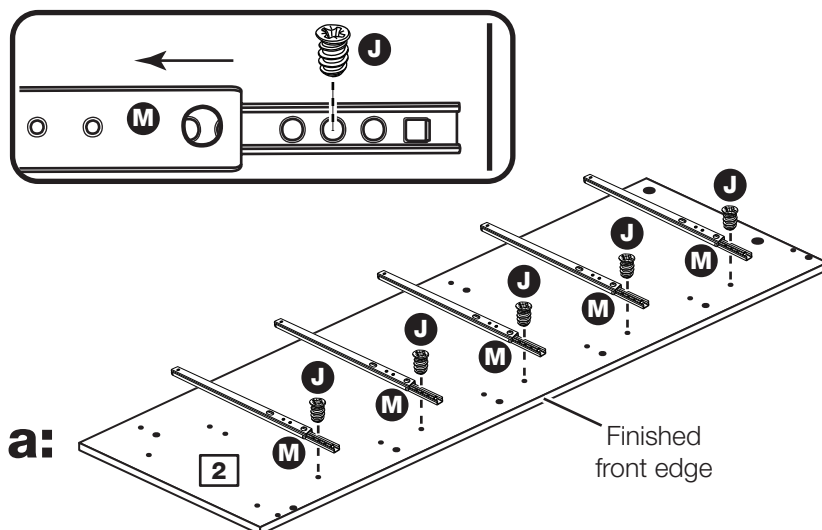
**a:** Place 5 runners **M** on the right side **2** as shown. Slide back the top of runner and use the 2nd hole from the front to fit the 1st screw **J**.

**b:** Slide the runner **M** back the other way and fit the 2nd screw **J** into the corresponding hole in the right side **2**.

**c:** Screw 8 metal dowels **A** into the right side **2**.

Insert 2 large locking nuts **B** into the right side **2**.

Tap 2 wooden dowels **D** into the right side **2**.



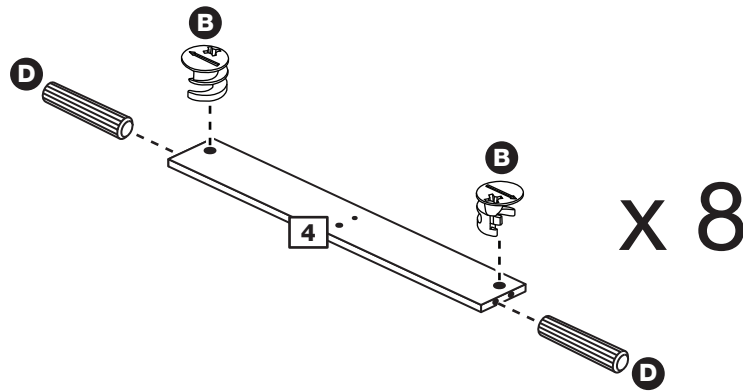
# Assembly Instructions

## Step 10

### Prepare the 8 rails

Insert 2 large locking nuts **B** into each of the 8 rails **4**.

Tap 2 wooden dowels **D** into each of the 8 rails **4**.



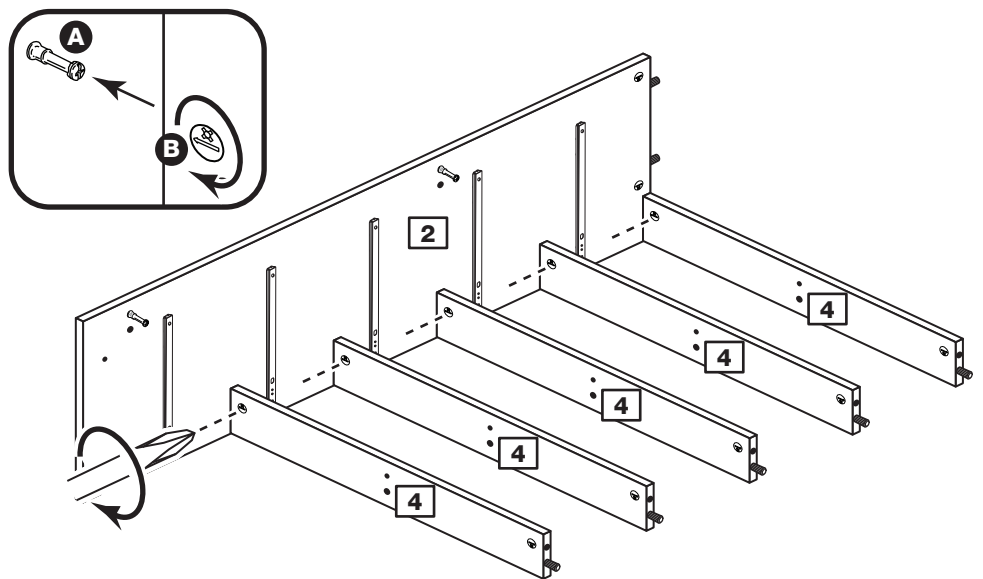
## Step 11

### Fit 5 of the rails to the right side

Push 5 rails **4** onto the right side **2**.

Use a screwdriver to tighten the large locking nut **B** fitted to each of the rails **4**.

**Note:** Turn the large locking nuts **B** as far as they will go - more than 1/2 a turn.

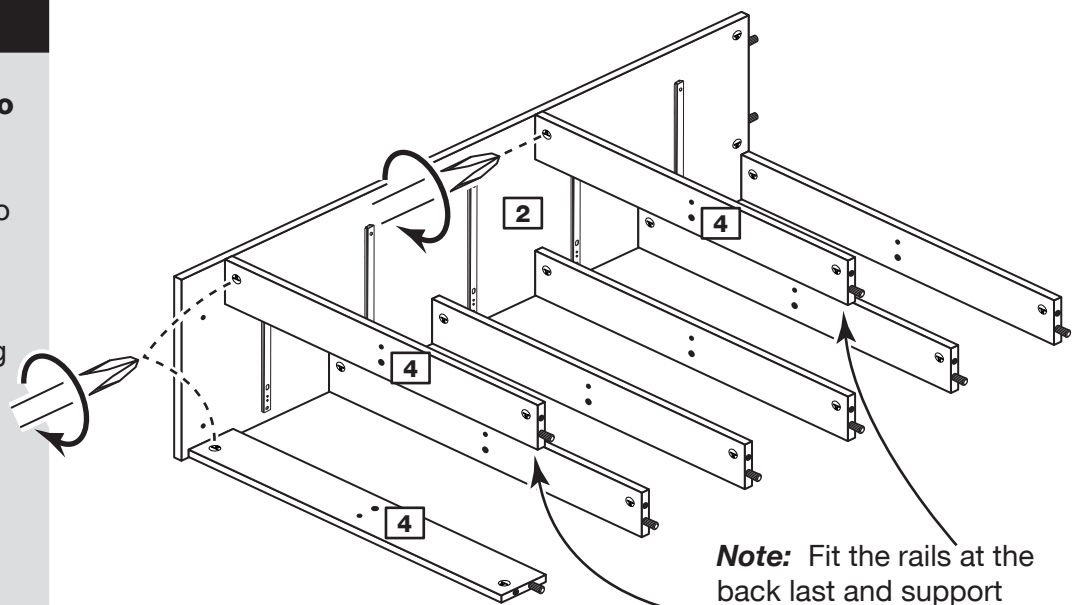


## Step 12

### Fit the other 3 rails to the right side

Push the 3 rails **4** onto the right side **2**.

Use a screwdriver to tighten the large locking nut **B** fitted to each of the rails **4**.



**Note:** Fit the rails at the back last and support them until the left side has been fitted in the next step.

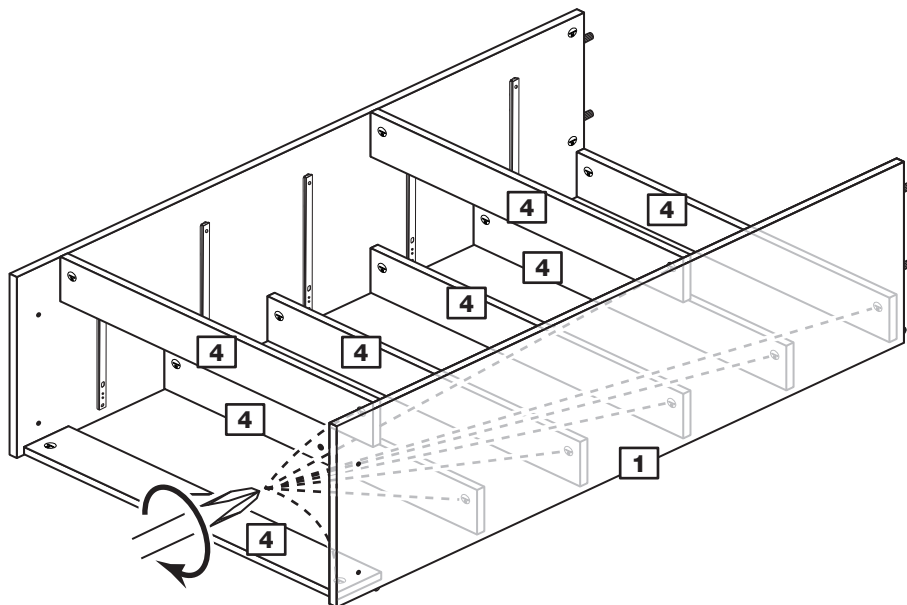
# Assembly Instructions

## Step 13

### Fit the left side

Push the left side **1** onto the rails **4**.

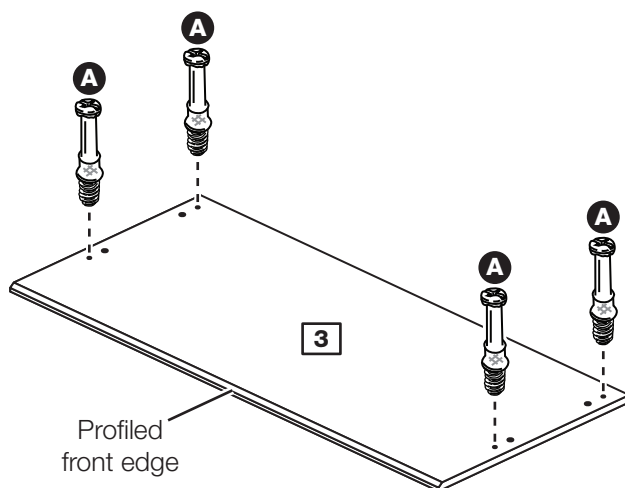
Use a screwdriver to tighten the large locking nut **B** fitted to each of the rails **4**.



## Step 14

### Prepare the top

Screw 4 metal dowels **A** into the top **3**.



# Assembly Instructions

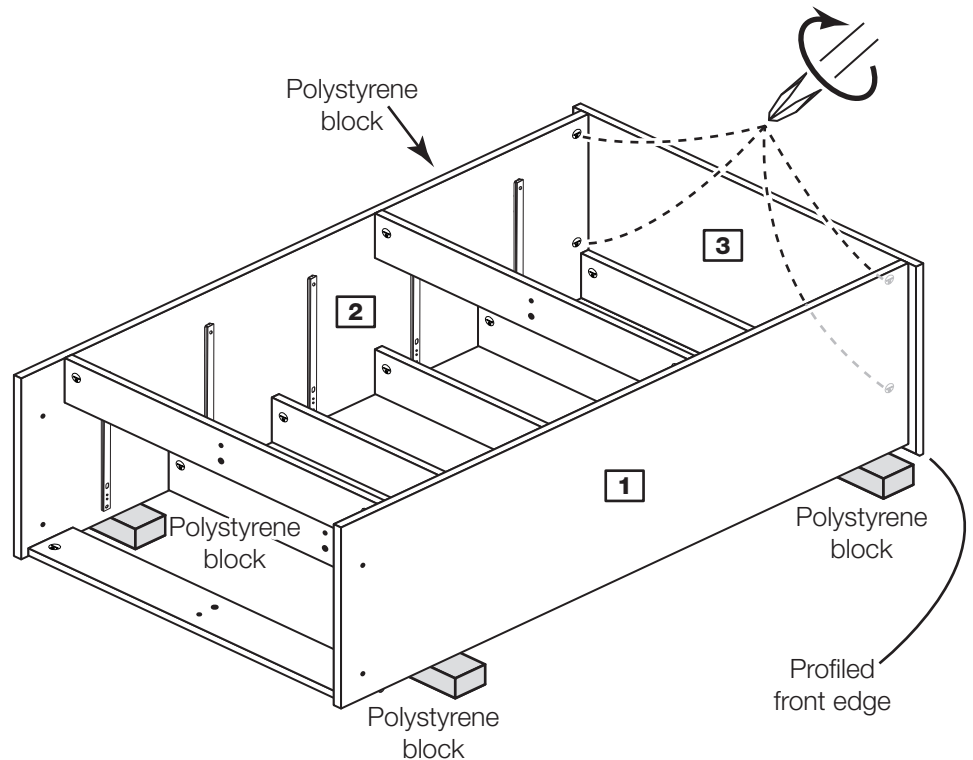
## Step 15

### Fit the top

**Note:** To make it easier to fit the top and plinths, place polystyrene blocks from the packaging underneath the side panels to raise the assembly.

Push the top **3** onto the assembly.

Use a screwdriver to tighten the 2 large locking nuts **B** fitted to each of the sides **1** and **2**.



## Step 16

### Fit the back

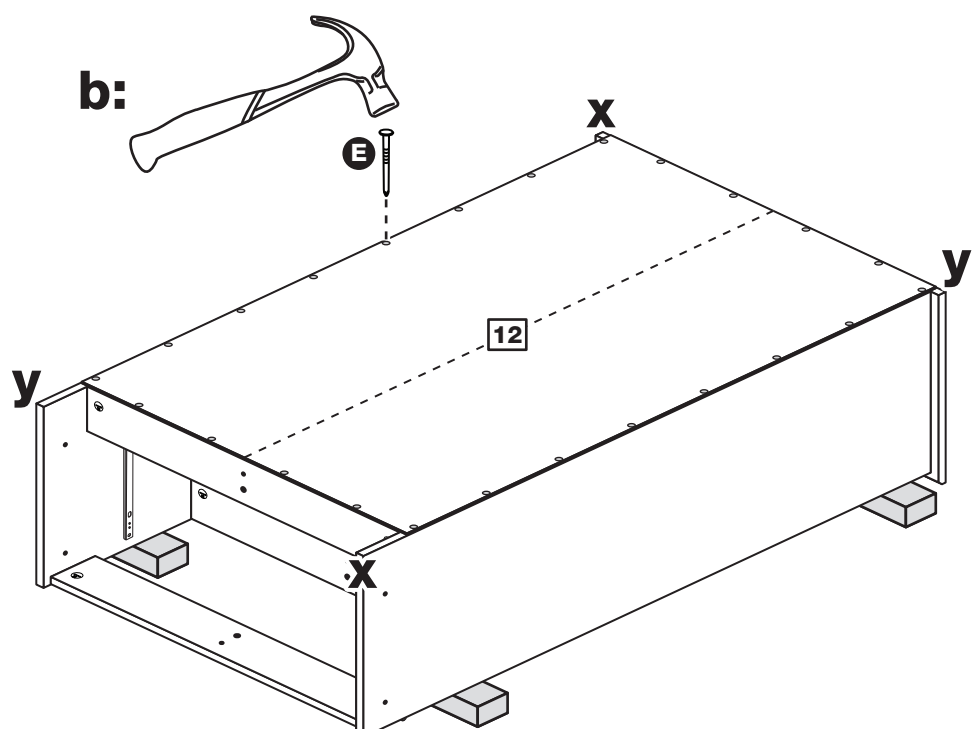
**a:** Square up the unit by making sure that measurement **x to x** equals **y to y**.

**b:** Place the back **12** onto the unit.

Nail **E** around the outside edges of the back **12**.

**Note:** Nails should be spaced about 150mm apart.

**a:** The measurement from top corner X to bottom corner X must be equal to the measurement from top corner Y to bottom corner Y

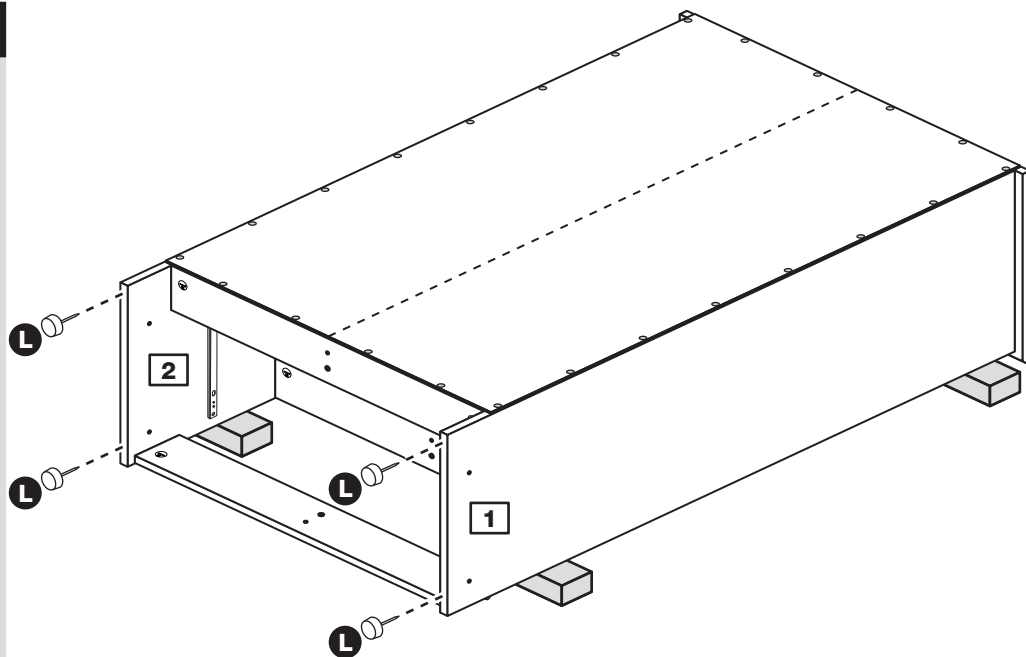


# Assembly Instructions

## Step 17

### Fit the 4 plastic nails

Tap 2 plastic nails **L** into the bottom edge of each of the sides **1** and **2**.

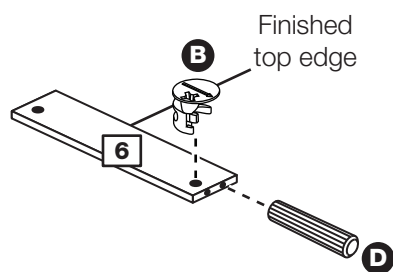


## Step 18

### Prepare a side plinth

Insert a large locking nut **B** into 1 of the side plinths **6**.

Tap a wooden dowel **D** into the side plinth **6**.

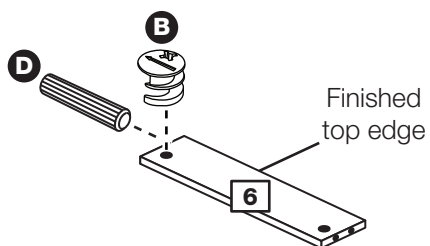


## Step 19

### Prepare the other side plinth

Insert a large locking nut **B** into the side plinth **6**.

Tap a wooden dowel **D** into the side plinth **6**.



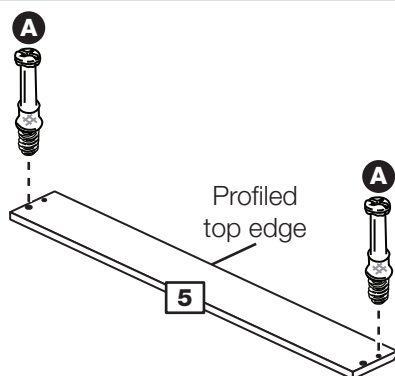


# Assembly Instructions

## Step 20

### Prepare the front plinth

Screw 2 metal dowels **A** into the front plinth **5**.

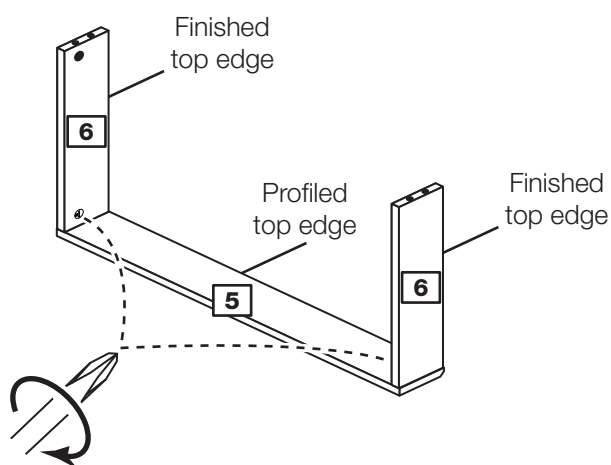


## Step 21

### Fit the plinths together

Push the 2 side plinths **6** onto the front plinth **5**.

Use a screwdriver to tighten the large locking nuts **B** fitted to the side plinths **6**.

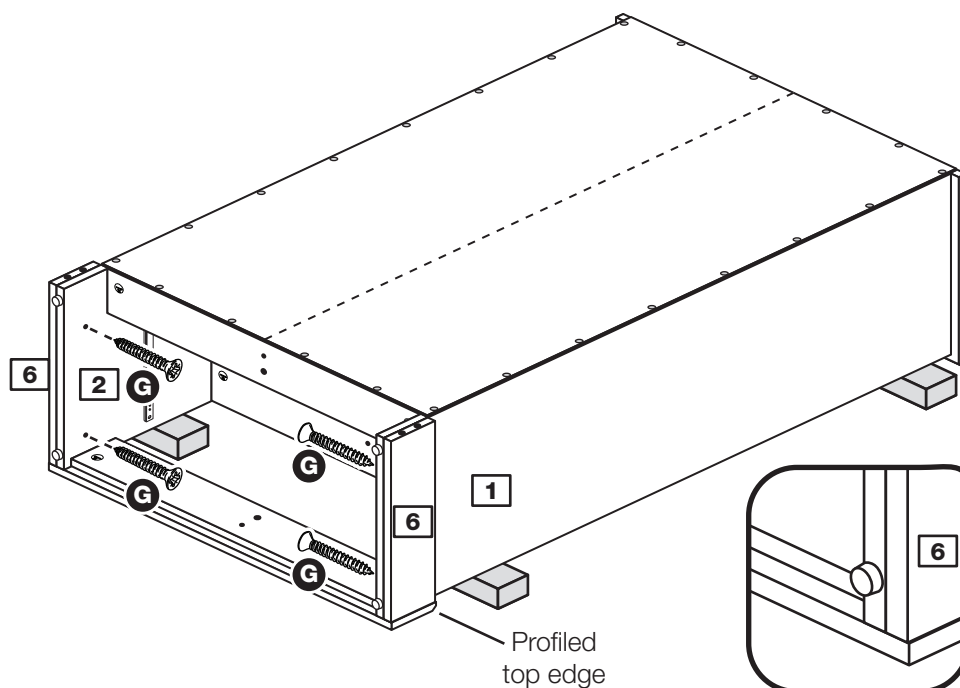


## Step 22

### Fit the plinths

Position the 3 plinths around the outside of the assembly, ensuring that the bottom edge of the plinths are flush with the bottom edge of the sides, as shown.

Secure the 2 side plinths **6** through the left end **1** and right end **2** using screws **G**.



# Assembly Instructions

## Step 23

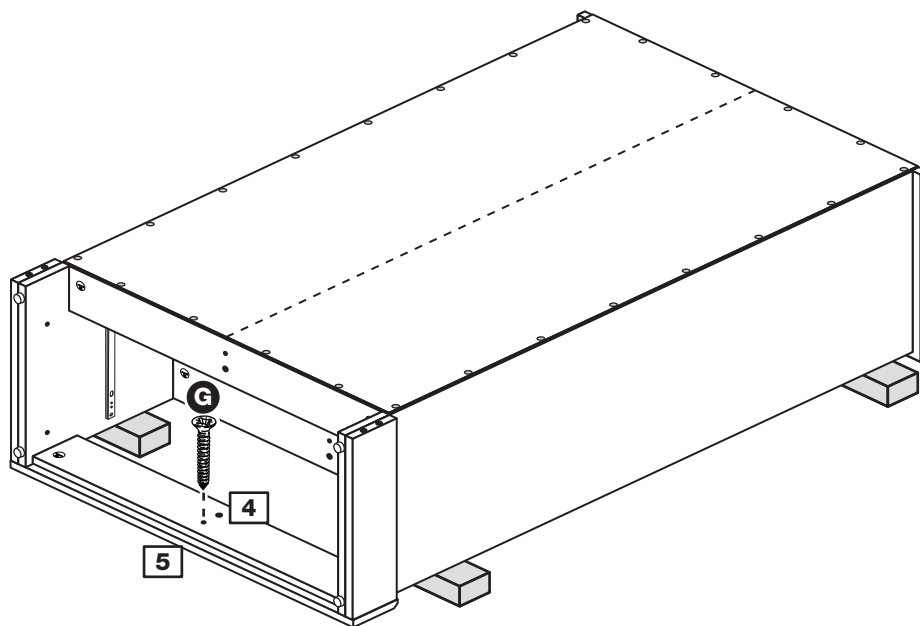
### Fix the front plinth

Secure the front plinth **5** through the rail **4** using screw **G**.

**Carefully stand the unit up for the next step.**



**Warning:** The unit is heavy. Lift with care.



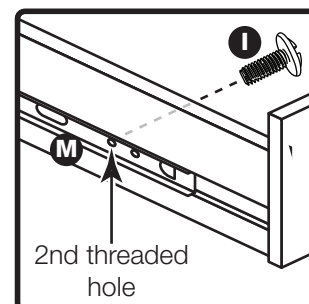
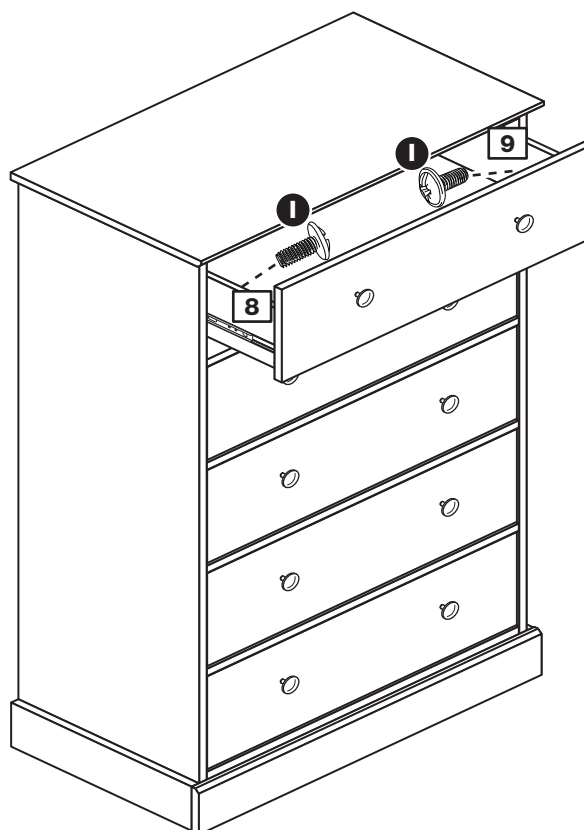
## Step 24

### Fit the drawers

Starting with the bottom drawer, slide both the runners **M** forward and locate the drawer sides **8** and **9** between them, lining up the holes in the drawer wrap with the 2nd 'threaded' holes in the runners **M**.

Working from the inside of the drawer, insert 2 screws **I** through the drawer sides and out into the 2nd threaded hole in the runner.


**Note:** Do not overtighten the screws **I**. If they catch on the runner you may need to loosen them slightly.



# Assembly Instructions

## Step 24

### Fit the overbalance protector kit

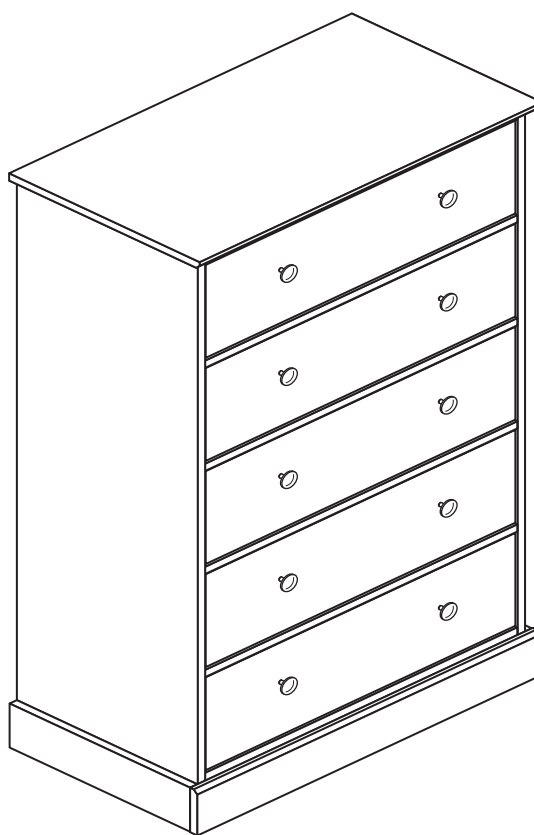
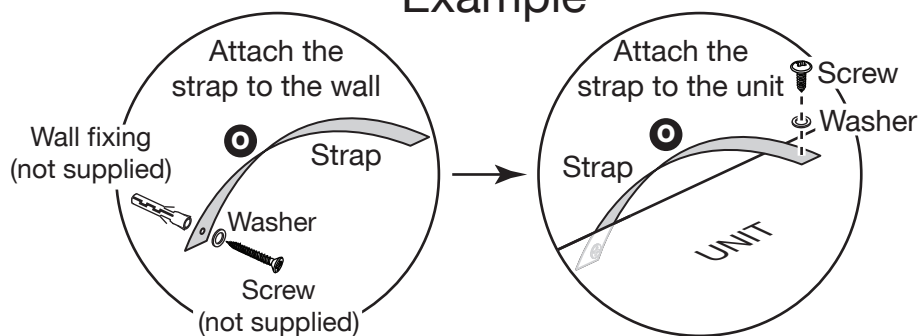
To prevent possible overbalancing we recommend that this unit is secured to a suitable wall by fitting of the overbalance protector kit  to the unit, or an alternative fixing method of your choice.

Wall fixings are not supplied as they will need to suit the wall type.

**Note:** Take care when drilling the wall that you do not drill into any pipes, wires etc. If in doubt, consult an expert.

**Assembly is complete**

### Example



If you need help or have damaged or missing parts, please visit [www.argos-support.co.uk](http://www.argos-support.co.uk) or email: [Help@ClickSpares.co.uk](mailto:Help@ClickSpares.co.uk) (quoting your original order number)  
Alternatively, call the Spares Helpline on: 0370 112 1928.  
For any other queries please contact the Customer Helpline on: 0345 640 2020

