

# BUSH

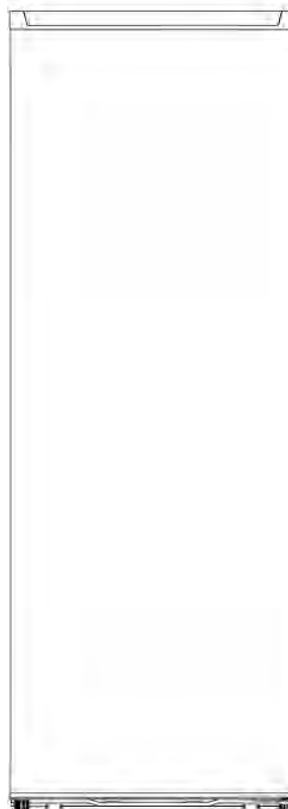
## Instruction Manual

BTL60170W



# Contents

<b>Safety Information</b>	<b>2</b>
<b>Parts</b>	<b>3</b>
<b>Installation</b>	<b>4-6</b>
Transportation	4
Installation	4
Door Reverse	5
Electrical Connection	6
<b>User Instructions</b>	<b>7-8</b>
Before first use	7
Using your appliance	7
Useful information	8
<b>Care and Maintenance</b>	<b>9</b>
General	9
Light bulb replacement	9
Vacation	9
Moving your appliance	9
<b>Trouble Shooting</b>	<b>10</b>
<b>Technical Specifications</b>	<b>11</b>
Disposal information	11
<b>Guarantee</b>	<b>12</b>



## Product codes

BTL60170W – White

**Important** – Please read these instructions fully before installing or using

**These instructions contain important information which will help you get the best from your appliance and ensure safe and correct installation, use and maintenance.**

**If you need help or have damaged or missing parts, call the Customer Helpline: 0345 257 7271**



# Safety Information

**Important** – Please read these instructions fully before installation

## Before use

The installation of this appliance is best carried out by 2 people.

- Dispose of all packaging carefully and responsibly.
- The appliance is designed for **indoor use only** and must be protected from rain, moisture and extreme temperature variations.
- This appliance is designed for household use. **Do not** use the appliance for industrial and commercial use, or any other purpose.
- The appliance **MUST** be positioned on a firm level base.
- **Do not** splash water on the appliance. It may cause electrical parts to fail and result in an electric shock.
- Leave the appliance in its intended place of installation and in its correct orientation for at least 4 hours before switching on to allow the cooling system to settle before first use or after any transportation.
- *Your appliance is an environmental friendly product and it contains non CFC / HFC gas substances in the cooling system (Called R600a) and in the insulation (Called cyclopentane) which are potentially flammable if exposed to fire. Therefore, take care not to damage, the cooling circuit / pipes of the appliance in transportation and in use. In case of damage do not expose the appliance to fire, potential ignition source and immediately ventilate the room where the appliance is situated.*
- **Do not** sit, stand or place any other heavy objects on top of the appliance. This could result in injury or damage to the appliance.
- **Do not** allow children to play with the appliance to avoid the risk of entrapment and suffocation.
- Keep ventilation opening, in the appliance enclosure or in the built-in structure, clear of obstruction.

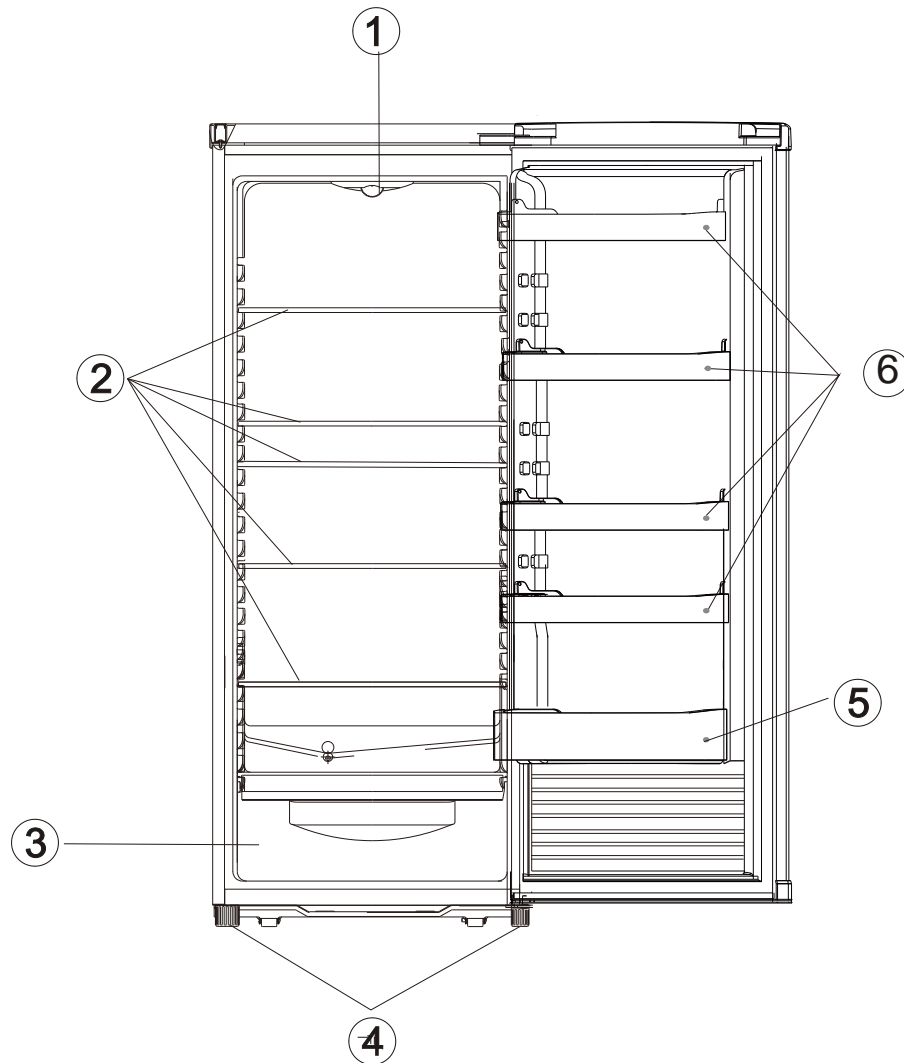
## During use

- This appliance is not intended for use by persons (including children) with reduced physical, sensory or mental capabilities, or lack of experience and knowledge, unless they have been given supervision or instruction concerning use of the appliance by a person responsible for their safety. Children should be supervised to ensure that they do not play with the appliance.
- This appliance is not intended for use by young children or infirm persons unless they have been adequately supervised by a responsible person to ensure that they can use the appliance safely. Young children should be supervised to ensure that they do not play with the appliance.
- **Do not** use mechanical, electrical or chemical way to speed up the defrost process not recommended by the manufacturer.
- **Do not** use or place other electrical products inside the appliance not recommended by the manufacturer.
- **Do not** store liquids in glass containers in the freezer compartment as these may shatter.
- **Do not** store flammable materials such as alcohol, gasoline, LP gas or glue etc in the appliance.
- In case there is an inflammable gas leaking, open the window for air circulation and do not pull out the plug or turn the temperature knob. **Do not** touch the appliance until the valve of gas is turned off. Otherwise, sparks may happen.
- This appliance can be used by children aged from 8 years and above and persons with reduced physical, sensory or mental capabilities or lack of experience and knowledge if they have been given supervision or instruction concerning use of the appliance in a safe way and understand the hazards involved. Children shall not play with the appliance. Cleaning and user maintenance shall not be made by children without supervision.
- **Do not** attempt to repair the appliance yourself. Contact the Customer Helpline: 0345 257 7271.

# Parts

If you have damaged or missing parts,  
call the **Customer Helpline:0345 257 7271**

Please familiarize yourself with the parts and accessories listed below

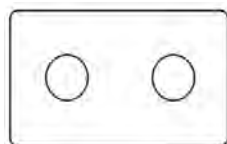


- 1. Thermostat and Light
- 2. Glass shelves
- 3. Crisper
- 4. Leveling feet
- 5. Bottom balcony
- 6. Upper balconies

## Accessories included



Instructions x 1



Hinge cover



Spacers x 2

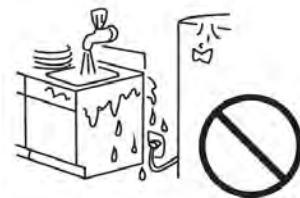
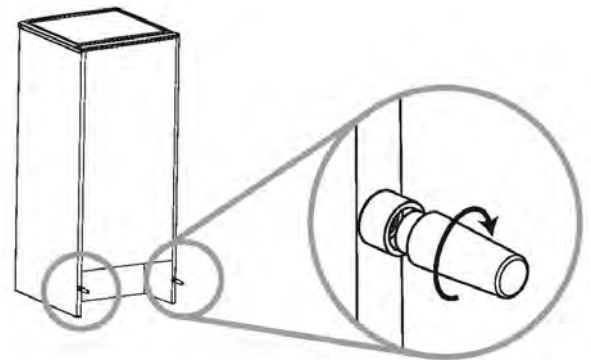
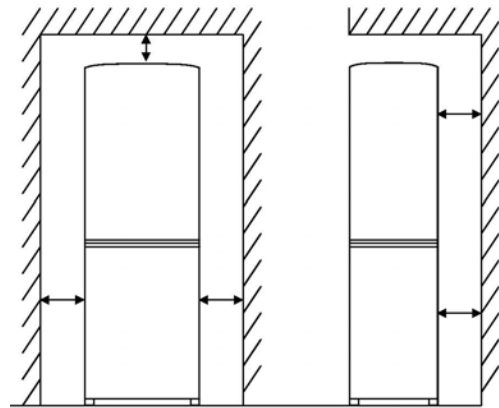
# Installation

## Transportation



**Caution:** 2 people are required to unpack and handle the appliance, it is recommended that gloves are worn.

- The appliance should be transported only in an upright position. Do not tilt the appliance greater than 45°. The packaging as supplied must be intact during transportation.
- After transporting the appliance, leave it for at least 4 hours before switching on to allow the cooling system to settle. Failure to comply could result in damage to the appliance.
- Do not move the appliance by pulling the door or handle as it may damage your flooring and wall coverings etc.
- Empty any water in the drain tray before moving.
- Make sure that the defrost water pipe at the back of the product is fixed to the plastic evaporating pan on the top of the compressor, to avoid defrost water spillage on the floor.
- Ensure the supply cable is not caught under the appliance during and after moving.
- Carefully remove all packaging materials including the foam base, dispose of correctly.



## Installation

- Ensure sufficient spacing is provided for the appliance to be installed. Leave space on both sides (15cm), back (20cm) and above the appliance (30cm) to ensure proper ventilation.
- Screw in the two spacers at the back of the appliance.
- Do not place the appliance near a heat source or in direct sunlight.
- Do not put any heavy objects on top of the appliance. It will damage the appliance.
- Do not install the appliance in moist and wet place.
- Adjust the feet at front to level the appliance. It should be installed on a smooth surface to avoid excessive vibration and noise.
- Each appliance has a climate class (shown on the rating plate) where it indicates the temperature range of the appliance operation in place. The appliance may not work properly if it is left for a long period at a temperature outside the specified range.
- Refer to section “Care and Maintenance” to prepare your appliance for use.

Climate Class	Amb. T. (°C)	Amb. T. (°F)
SN	10 ~ 32°C	50 ~ 90°F
N	16 ~ 32°C	61 ~ 90°F
ST	16 ~ 38°C	61 ~ 100°F
T	16 ~ 43°C	61 ~ 110°F

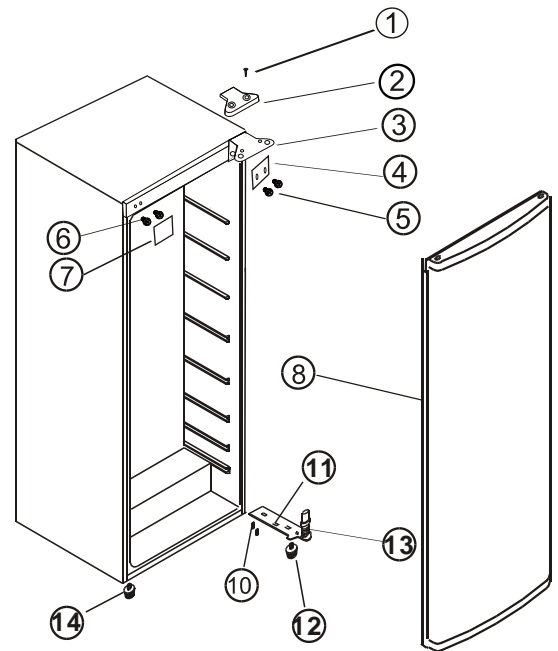
# Installation

## Door Reverse



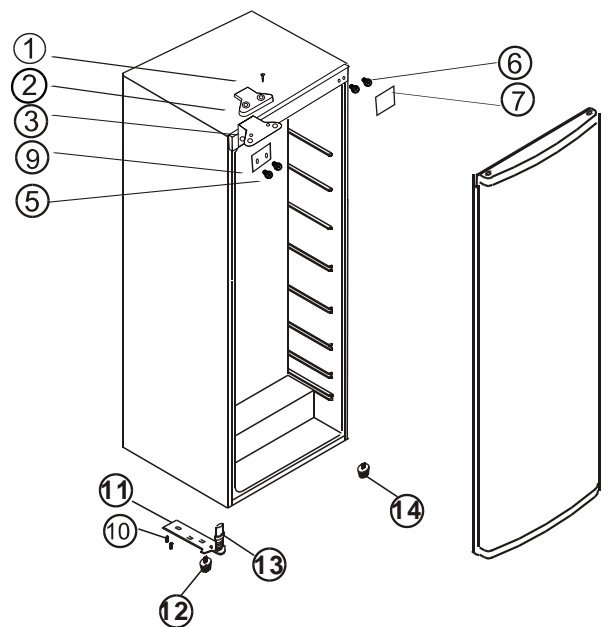
Warning: Remove the main plug before reversing the door. 2 people may be required to reverse the door.

- 1, Remove the screw ① from the hinge cover ②. Put the hinge cover on the soft pad for future use.
- 2, Open the door and remove the screw ⑤ on the top hinge plate ③ from the front side. Then remove the hinge plate ③ carefully. Take out the door from the cabinet and place it on the ground protected with soft pad to avoid any damage.
- 3, Remove plastic cover ⑦ and screws at the top left side ⑥ and fix it to the right side.
- 4, Put the plastic soft pad on the floor and Lie down the whole product to the rear side to the pad carefully. Remove the two front adjustable feet ⑩⑭. Take out the bottom hinge ⑪ from the bottom of right side. Record down all the position of the screws on the bottom hinge. Then remove all the screws from the bottom hinge. Turn the hinge over to ensure the protruded area is pointing to the right side. Put the bottom hinge to the bottom of left side and fix all the screws back to the hinge according to the previous record. Then add the two adjustable level feet back to the bottom side.
- 5, Remove the screw from the right side of top hinge plate to left side. Move the unit stand upright. Put the door to the left side. Ensure the hole on the lower side has fully entered to the pin on the bottom hinge plate. Put the top hinge plate, Use the alternative cover ⑨ (with hole) provided and fit to the left side. and fix to the door. Fix the screw to the top hinge plate to the cabinet. Turn the door to ensure the door can be open and closed without any problem.
- 6, Refit the top hinge cover ② by fixing the screw ①.



**FIGURE1**

Door opening from left side



**FIGURE1**

Door opening from right side

# Installation

## Electrical connection



**Any electrical work that is required to install this appliance MUST be carried out by a qualified electrician.**



**Warning: THIS APPLIANCE MUST BE EARTHED**

**Before making any electrical connections, ensure that:**

- Electrical safety is only guaranteed when the earth system of your house is in accordance with the related local regulations.
- Do not damage the refrigerant circuit.
- Do not bend, stretch or pull the supply cable to avoid electric shock.
- Do not use electrical appliances inside the food storage compartments of the appliance, unless they are of the type recommended by the manufacturer.
- Ensure the power socket is suitable for the maximum power of the machine (fuses in the power circuit must be 13 amp).
- The supply voltage should be the same as that indicated in the technical specifications and the appliance rating plate.
- The appliance should be earthed and in compliance with the applicable law.
- When installed, the power socket must be within easy reach.
- If the socket outlets in your home are not suitable for the plug supplied with this unit check with a qualified electrician for replacement.
- The use of adapters, multiple connectors or extension cables are not recommended.
- The appliance must be connected to a 220-240 volt 50Hz AC supply by means of a three pin socket, suitably earthed and protected by a 13 amp fuse.
- Should the fuse need to be replaced, a 13 amp fuse approved to BS1362 must be used.
- The plug contains a removable fuse cover that must be refitted when the fuse is replaced. If the fuse cover is lost or damaged, the plug must not be used until a replacement cover has been fitted or the plug is replaced.
- A damaged plug should be cut off as close to the plug body as possible, the fuse should be removed and the plug disposed of safely.

### Plug replacement (UK & Ireland only)

Should you need to replace the plug; the wires in the power cable are coloured in the following way:

Blue – Neutral 'N'

Brown – Live 'L'

Green & Yellow – Earth 'E'

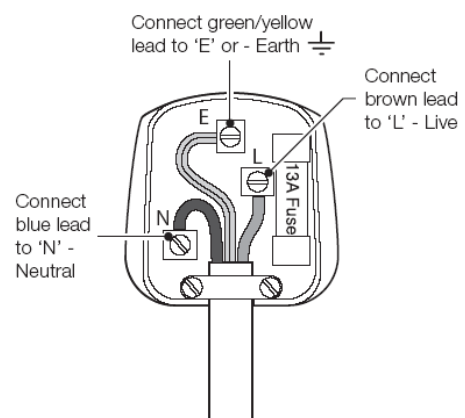
As the colours of the wires in the power cable may not correspond with the coloured markings identifying the terminals in your plug, and proceed as follows:

The green & yellow wire must be connected to the terminal in the plug that is marked with the letter E or by the earth symbol.

The blue wire must be connected to the terminal that is marked with the letter N.

The brown wire must be connected to the terminal that is marked with the letter L.

If power supply cord is damaged, it must be replaced by the manufacturer or its service agent or a similar qualified person in order to avoid a hazard.



# User Instructions

## Before first use

### Final checks before operating the appliance

1. Good air circulation around the appliance positioned.
2. The feet have been adjusted for perfect levelling.
3. Clean the compartment per recommendation in section "Care and Maintenance".
4. Plug in the appliance and interior light will come on when the door is open.



The compressor starts up and in operation may produce some background noise and it is normal, this is not a defect.

## Using your appliance

### 1. Temperature adjustment

- The compartment temperature can be set by the temperature knob between "1" and "7" (coldest setting). We recommend setting the temperature knob midway first.
- To ensure the compartment is maintained at the desired temperature, it is advised to monitor the temperature periodically by a thermometer and adjust the temperature knob accordingly.
- Load the appliance after switch on for a while to allow the temperature reach the desired setting.

### 2. Storing fresh food

- Use the fridge compartment to store fresh food and drinks.
- Do not exceed the food capacity that the appliance able to handle.
- Do not put warm food to the appliance immediately as it may cause excessive cooling of the compartment.
- Set the temperature knob at medium position for storing fresh food.
- Do not mix already frozen food and fresh food.



# User Instructions

## Useful information

The following guidelines and recommendations are suggested to obtain the best results and storage hygiene.

- Frequent door openings can cause internal temperature rise so the door shall be closed as soon as possible after use.
- For hygiene reasons, it is always a good practise to pack, wrap and cover the food before storing.
- Use a polythene bag to store raw meat and place on the lowest shelf. Avoid contact with cooked food to prevent contamination. For safety reason, store raw meat for two to three days only.
- Cooked dishes must be stored in airtight covered containers.
- Food and beverages shall cool to room temperature before storing.
- Most vegetables should be blanched and chilled before freezing.
- Bottles can be placed in the door section.
- Some fruits and vegetables like pineapples, melons, tomatoes, and cucumbers shall be wrapped in polythene bags.
- Do not leave frozen food at room temperature to thaw. You could defrost the food by putting it in the fridge to thaw slowly. Make sure you avoid defrosting food or food juices drip onto other food.

## **Energy saving tips**

- Place your fridge away from direct sunlight, your oven or any other heat sources. Allow 20 cm clear space on both sides and above, and at least 5 cm behind.
- Cover all food stored, and arrange it so that cold air can circulate freely.
- Higher cold setting will use more energy. Do not set to maximum cold if it is not necessary.
- Cool the hot/warm food to room temperature before put them into your fridge.
- Frequently open and close door would cause internal temperature rise and it will consume more energy.
- Close the door(s) properly, and make sure the seals and hinges are airtight. Check the seals by putting a sheet of paper between the door and the main body of the fridge. If the paper moves, your seals need replacing.
- Defrost regularly if your refrigerator is not a frost-free or cyclic defrost model. Accumulated ice layer should not be more than 5 mm thick.
- The pre-set combination of drawers, baskets and shelves have already set in the most efficient use of this product.

# Care and Maintenance

## General



**Important: Always unplug the appliance from the power socket during cleaning and maintenance.**

- Never use any sharp instruments or abrasive substances, soap, household cleaner, detergent or wax polish for cleaning.
- Use luke warm water to clean the cabinet of the appliance and wipe it dry.
- Never clean the appliance with flammable fluids. It could cause a damage and fire hazard.
- Clean the exterior of the appliance and door seal with a damp cloth and dry it through.
- Avoid water goes in the temperature control box. Clean with a dry cloth only.
- Clean the condenser (located at the back of the appliance) with a vacuum cleaner. It is suggested to remove the dust every year.
- Shelves are all removable for cleaning purpose.



**Important:** Care must be taken while cleaning/carrying the appliance not to touch the bottom of the condenser metal wires at the back of the appliance, as this could cause injury to fingers and hands.

## Light bulb replacement

Proceed the following to replace a failure bulb

1. **Switch off at the socket outlet and pull out the mains plug.**
2. Remove the light diffuser cover by pulling the recess at the edge.
3. The internal light is a LED type. To replace the lamp, please contact qualified technician.
4. Assemble the light diffuser cover and switch on.

## Vacation

### Short vacation

There is no need to disconnect the appliance from the mains if you will be away for two to three weeks. Use up the perishable food.

### Long vacation

Remove all the food if you are away for three weeks or more. Unplug the appliance and leave the doors open to provide air circulation to prevent odour and mould.

## Moving your appliance

### Moving

Refer to section “Transportation” under “Installation”

# Trouble Shooting

In the unlikely event of difficulties with your appliance please follow the trouble shooting guide below. If the problem persists, contact the retailer if the machine is still under guarantee. If the machine is out of guarantee, contact an approved service agent on **0345 257 7271**.

<b>Problem</b>	<b>Possible cause</b>	<b>Solution</b>
Appliance does not start	<ul style="list-style-type: none"> <li>• The mains plug is not plugged in.</li> <li>• Protection devices or fuses of the electrical system at home open</li> </ul>	<ul style="list-style-type: none"> <li>• Insert the mains plug.</li> <li>• Check the protection devices and fuses.</li> </ul>
Light does not work	<ul style="list-style-type: none"> <li>• Failure bulb</li> </ul>	<ul style="list-style-type: none"> <li>• Replace the bulb per section "Care and Maintenance"</li> </ul>
Appliance not cool enough	<ul style="list-style-type: none"> <li>• Cooling system not settle after transportation</li> <li>• Doors not close properly</li> <li>• Frequently doors open</li> <li>• Loading food too much</li> <li>• Low temperature setting</li> <li>• Door seal dirty or sticky</li> </ul>	<ul style="list-style-type: none"> <li>• Leave the appliance at least 4 hours before switching on</li> <li>• Check any food blockage</li> <li>• Reduce the frequency</li> <li>• Reduce the food quantity</li> <li>• Adjust the temperature knob</li> <li>• Clean per section "Care and Maintenance"</li> </ul>
Food frozen in fridge compartment	<ul style="list-style-type: none"> <li>• High temperature setting</li> </ul>	<ul style="list-style-type: none"> <li>• Adjust the temperature knob</li> </ul>
Noisy appliance	<ul style="list-style-type: none"> <li>• Not position on even surface</li> <li>• Appliance is touching objects around</li> <li>• Bottles and containers are contacting with each other</li> </ul>	<ul style="list-style-type: none"> <li>• Install on even surface and leveling the appliance</li> <li>• Ensure spacing at both sides and above the appliance</li> <li>• Separate them</li> </ul>

# Technical Specifications

Model	BTL60170W
Energy efficiency class	A+
Energy consumption – Kwh/year	135
Net storage – volume fresh food (litres)	335
Net storage – volume frozen food (litres)	/
Total net storage (litres)	335
Frozen food compartment rating	/
Climate class	ST
Operating noise level dB(A)	42
Mimumum Operation Temperature	16°C

We apologize for any inconvenience caused by any minor inconsistencies in these instructions, which may occur as a result of product improvements and development.



This appliance complies with the following EEC directives:  
2006/95/EEC Low voltage directive  
2004/108/EEC EMC directive

## Disposal information



The symbol on the product or its packaging indicates that this product may not be treated as household waste. Instead it should be handed over to the applicable collection point for the recycling of electrical and electronic equipment. By ensuring this product is disposed of correctly, you will help prevent potential negative consequences for the environment and human health, which could otherwise be caused by inappropriate waste handling of this product. For more detailed information about recycling this product, please contact your local council office, your household waste disposal service or the shop where the product was purchased.

**Remember: Old fridges must be disposed of carefully - older models contain CFC gases that are harmful - if in doubt, contact your local council for details on how to dispose of an old fridge.**



## PRODUCT GUARANTEE

This product is guaranteed against manufacturing defects for a period of



Year

This product is guaranteed for twelve months from the date of original purchase.

Any defect that arises due to faulty materials or workmanship will either be replaced, refunded or repaired free of charge where possible during this period by the dealer from whom you purchased the unit.

The guarantee is subject to the following provisions:

- The guarantee does not cover accidental damage, misuse, cabinet parts, knobs or consumable items.
- The product must be correctly installed and operated in accordance with the instructions contained in this manual.
- It must be used solely for domestic purpose.
- The guarantee will be rendered invalid if the product is re-sold or has been damaged by inexpert repair.
- Specifications are subject to change without notice.
- The manufacturer disclaims any liability for the incidental or consequential damages.
- The guarantee is in addition to, and does not diminish your statutory or legal rights.
- In the event of a problem with the product within the guarantee period call the Customer Helpline on 0345 257 7271.

Guarantor: Argos Ltd  
489 - 499 Avebury Boulevard  
Central Milton Keynes  
MK9 2NW