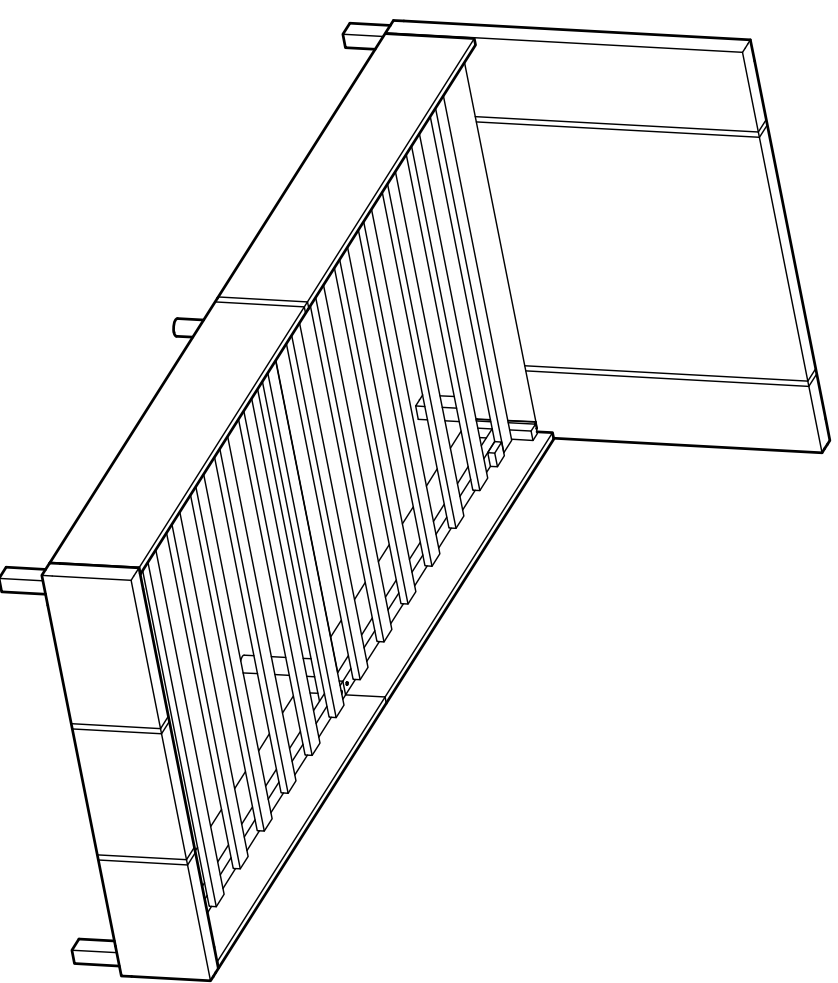


# Erica 3FT

Assembly Instructions - Please keep for future reference

399 / 8494



## Dimensions

Width - 95cm  
Depth - 203cm  
Height - 87cm

**Important - Please read these instructions fully before starting assembly**

If you need help or have damaged or missing parts, call the Customer Helpline:

Argos = 0345 640 3030

# ⚠ Safety and Care Advice

## Important - Please read these instructions fully before starting assembly

- Check you have all the components and tools listed on the following pages.
- Remove all fittings from the plastic bags and separate them into their groups.
- Keep children and animals away from the work area, small parts could choke if swallowed.
- Make sure you have enough space to layout the parts before starting.
- Do not stand or put weight on the product; this could cause damage.
- Assemble the item as close to its final position (in the same room) as possible.
- Assemble on a soft level surface to avoid damaging the unit or your floor.
- Parts of the assembly will be easier with 2 people.
- We do not recommend the use of power drill/drivers for inserting bolts as this could damage the unit. Only use hand screwdrivers.
  - Dispose of all packaging carefully and responsibly.
  - Do not tighten all bolts until bed is fully assembled.



• We do not recommend the use of power drill/drivers for inserting bolts as this could damage the unit. Only use hand screwdrivers.

- Dispose of all packaging carefully and responsibly.

- Do not tighten all bolts until bed is fully assembled.

## Care and maintenance

- Only clean using a damp cloth and mild detergent, do not use bleach or abrasive cleaners.
- From time to time check that there are no loose bolts on this unit.
- This product should not be discarded with household waste. Take to your local authority waste disposal centre.

## Handy Hints

- Assemble all parts and bolts loosely during assembly, only once the product is complete should you fully tighten the bolts.
- Regularly check and ensure that all bolts and fittings are tighten properly.

# Assembly Instructions

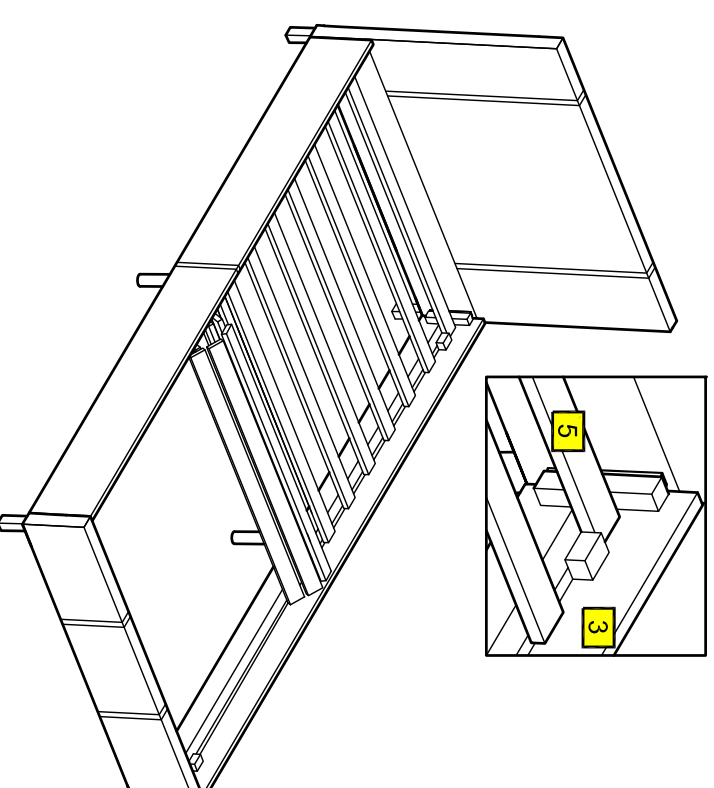
## Step 5

### Attaching slats

Roll the slats over the Side **3** and connect slats over the wood elements that are attached on both sides of the Side rails **3**.

**Note:** Wood slats are on top with tape on the under side.

Assembly is now complete.



Note: if required the next page can be cut out and used as reference throughout the assembly. Keep this page with these instructions for future reference.

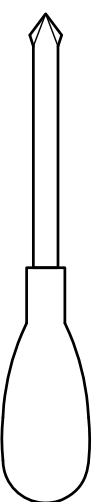
# Components - Fittings

Please check you have all the fittings listed below

Note: The quantities below are the correct amount to complete the assembly. In some cases more fittings may be supplied than are required.

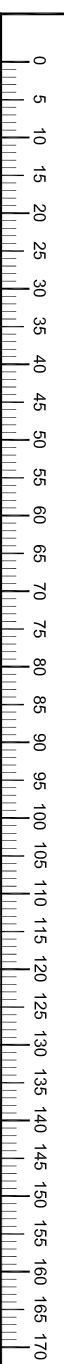
<b>A</b>		<b>B</b>		<b>C</b>	
M6x45mm Bolt x 4		Leg x 4		Support leg x 2	

## Tools required



Screwdriver (Not supplied)

Ruler - Use this ruler to help correctly identify the screws

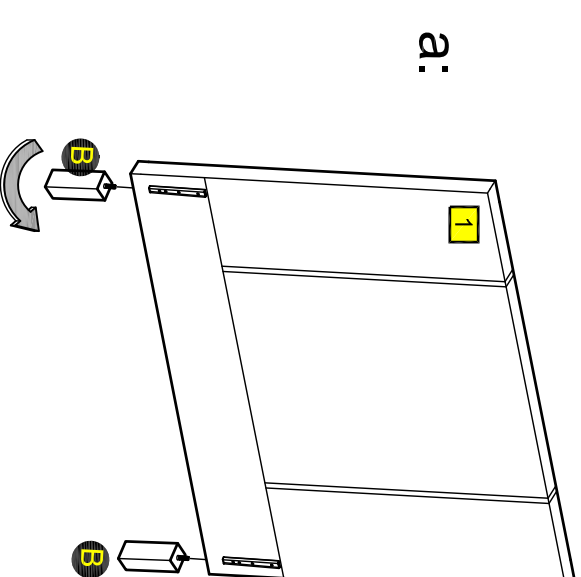


# Assembly Instructions

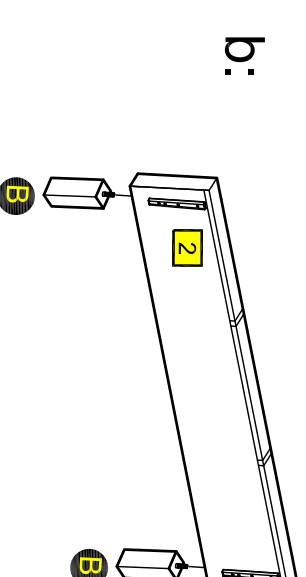
## Step 1

### Attaching legs

a: Insert Legs **B** into Headboard **1** and secure tightly in a clockwise direction.



b: Insert Legs **B** into Footboard **2** and secure tightly in a clockwise direction.

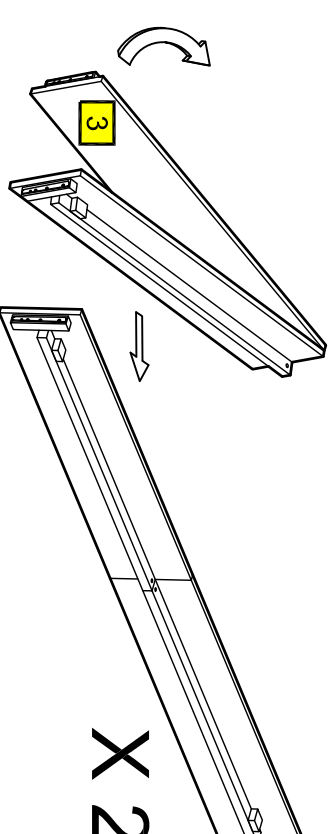


## Step 2

### Attaching side rails

Open the Side rail **3** as in the picture.

Repeat this operations for other Side rail **3**.



# Assembly Instructions

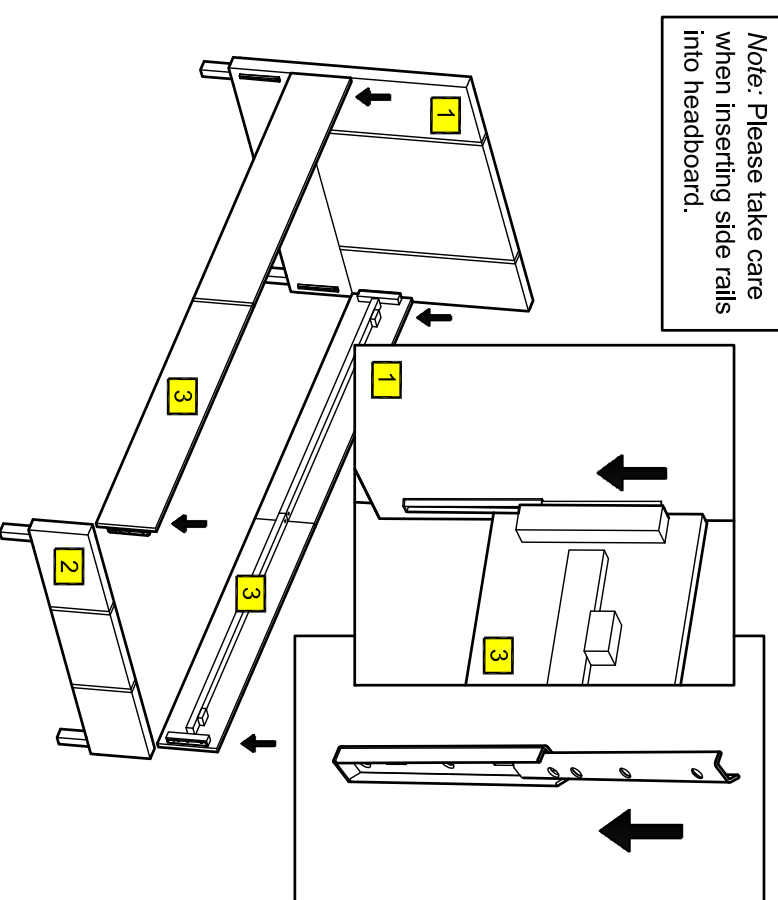
## Step 3

### Attaching side rails

Two people are needed here.

Connect Side rails [3] with Headboard [1] and Footboard [2], like in image.

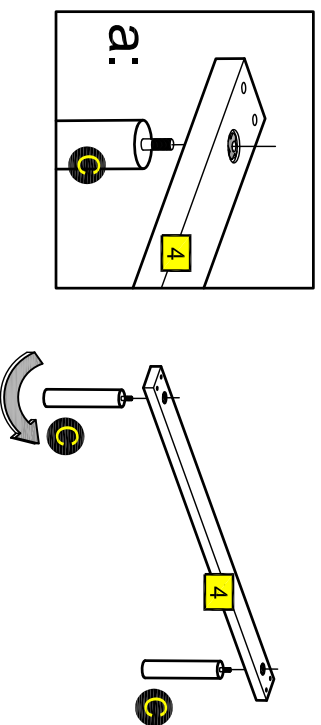
Note: Please take care when inserting side rails into headboard.



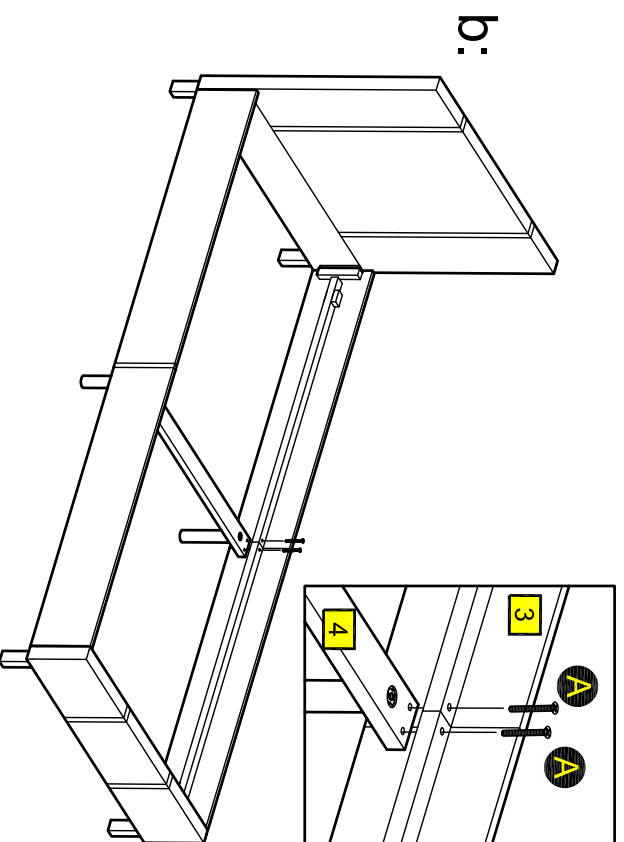
## Step 4

### Attaching support bar

a: Insert Legs [C] into Centre support bar [4] and secure tightly in a clockwise direction. For fitting the legs, on the central support bar must be with metal nut on top.



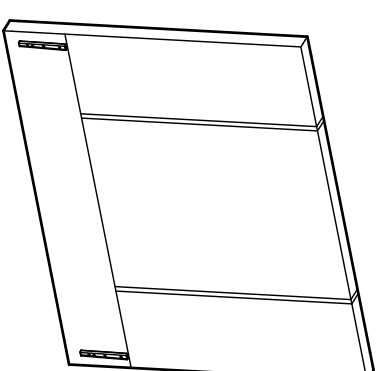
b: Insert all 4 Bolts [A] through holes on Side rail [3] and align before tightening.



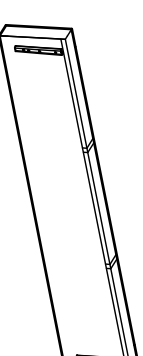
## Components - Panels

If you have damaged or missing components, call the Customer Helpline: **Argos = 0345 640 3030**

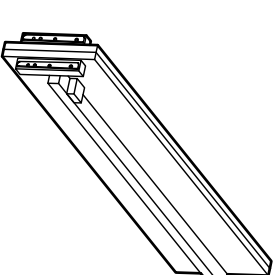
Please check you have all the panels listed below



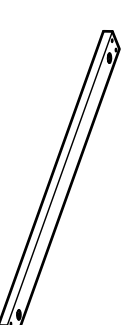
1 Headboard (95x77cm)



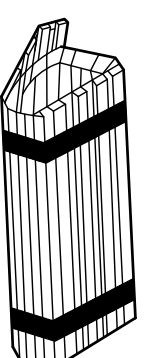
2 Footboard (95x20cm)



3 Side rail x 2 (97 x 20cm)



4 Centre support bar (91 x 6cm)



5 Slats (90.5 x 4.3cm)

