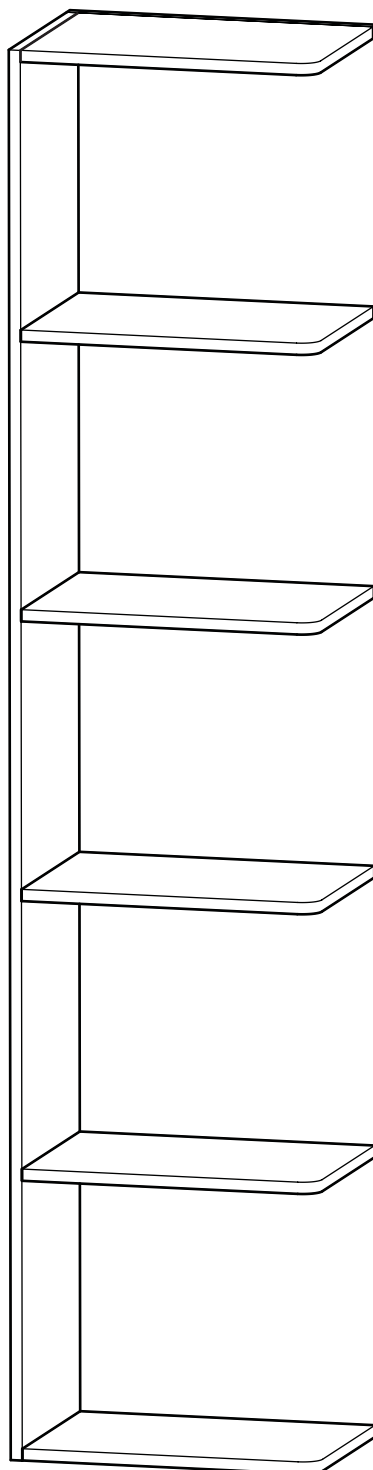


Open End Bookcase - Single

Assembly Instructions - Please keep for future reference

397/8830



Dimensions

Width - 40cm

Depth - 29cm

Height - 180cm

Important - Please read these instructions fully before starting assembly

If you need help or have damaged or missing parts, call the **Customer Helpline**
Argos = 0345 6400800



Safety and Care Advice

Important - Please read these instructions fully before starting assembly

- Check you have all the components and tools listed on the following pages.
- Remove all fittings from the plastic bags and separate them into their groups.
- Keep children and animals away from the work area, small parts could choke if swallowed.
- Make sure you have enough space to layout the parts before starting.

- During assembly do not stand or put weight on the product, this could cause damage.
- Assemble the item as close to its final position (in the same room) as possible.
- Assemble on a soft level surface to avoid damaging the unit or your floor.
- Parts of the assembly will be easier with 2 people.



- To reduce the likelihood of damaging your product please ensure that your power drill is set on a low torque setting.

Care and maintenance

- Only clean using a damp cloth and mild detergent, do not use bleach or abrasive cleaners.
- From time to time check that there are no loose screws on this unit.
- This product should not be discarded with household waste. Take to your local authority waste disposal centre.

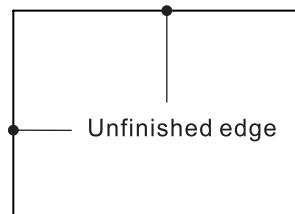
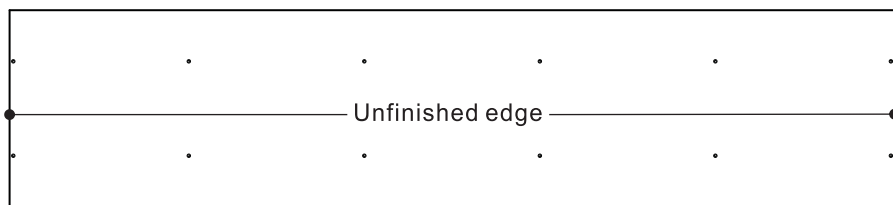
Handy Hints

- Regularly check and ensure that all bolts and fittings are tightened properly.

Components - Panels

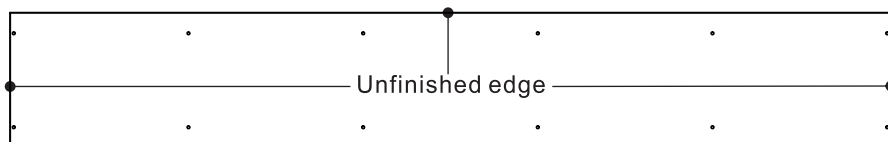
If you have damaged or missing components, call the **Customer Helpline Argos = 0345 6400800**

Please check you have all the panels listed below



1 Back panel x 1 (180 x 40cm)

3 Shelf x 6 (38.4 x 27.4cm)

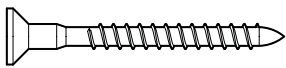
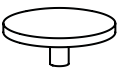
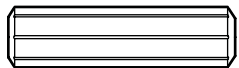
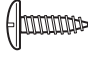


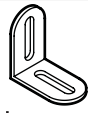


2 Side panel x 1 (180 x 27.5cm)

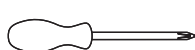
Components - Fittings

Please check you have all the fittings listed below

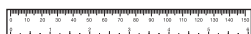
Note: The quantities below are the correct amount to complete the assembly. In some cases more fittings may be supplied than are required.

<p>A </p> <p>45mm Screw x 24</p>	<p>B </p> <p>Cap x 12</p>	<p>C </p> <p>Wood dowel x 18</p>
<p>D </p> <p>12mm Screw x 1</p>	<p>E </p> <p>26mm Screw x 1</p>	<p>F </p> <p>Wall plug x 1</p>
<p>G </p> <p>L shape wall mounting plate x 1</p>		

Tools required



Phillips screwdriver (medium & large)



Ruler/tape measure



Small hammer



7mm Suitable drill bit (for use with wall plug)

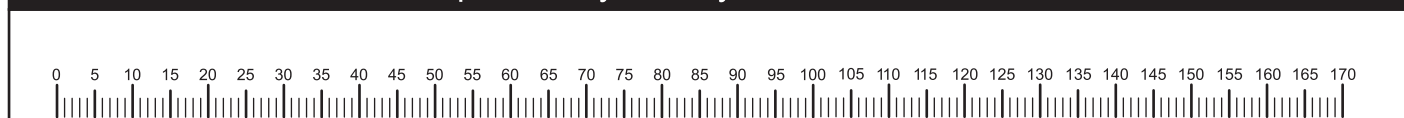


Drill



Eye protection (when using a hammer.)

Ruler - Use this ruler to help correctly identify the screws



The screws length is measured from the head to the point (30mm screw shown).

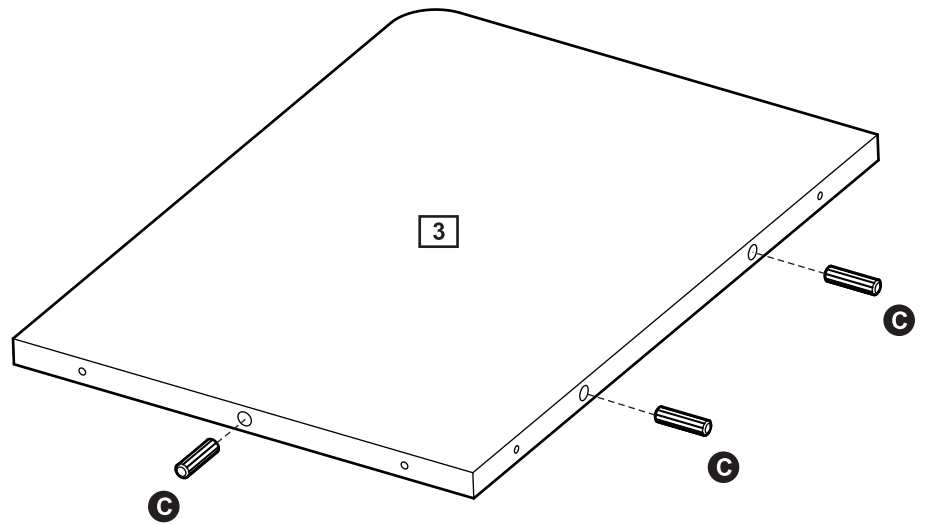
Assembly Instructions

Step 1

Insert the wood dowel.

Insert the wood dowel **C** into **3** panels.

X 6



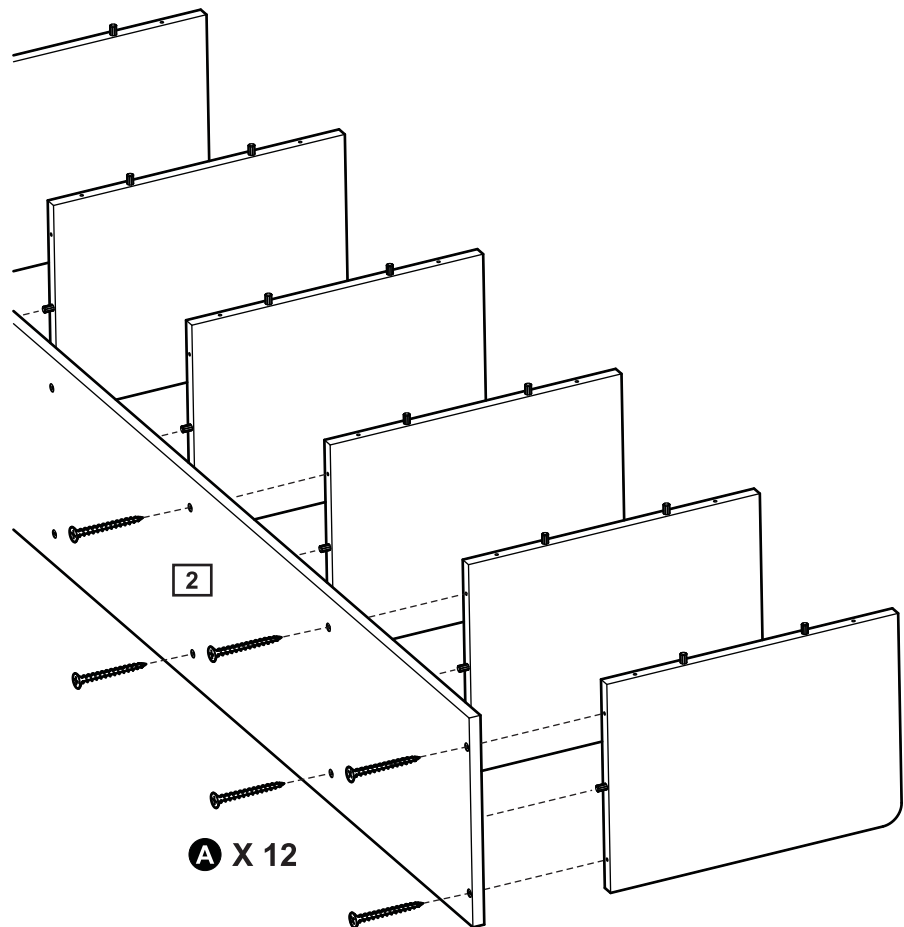
Step 2

Attaching the panels.

It will be useful to ask someone for help at this step.

a: Attach the shelf panels **3** onto the side panel **2** with screw **A**.

a:

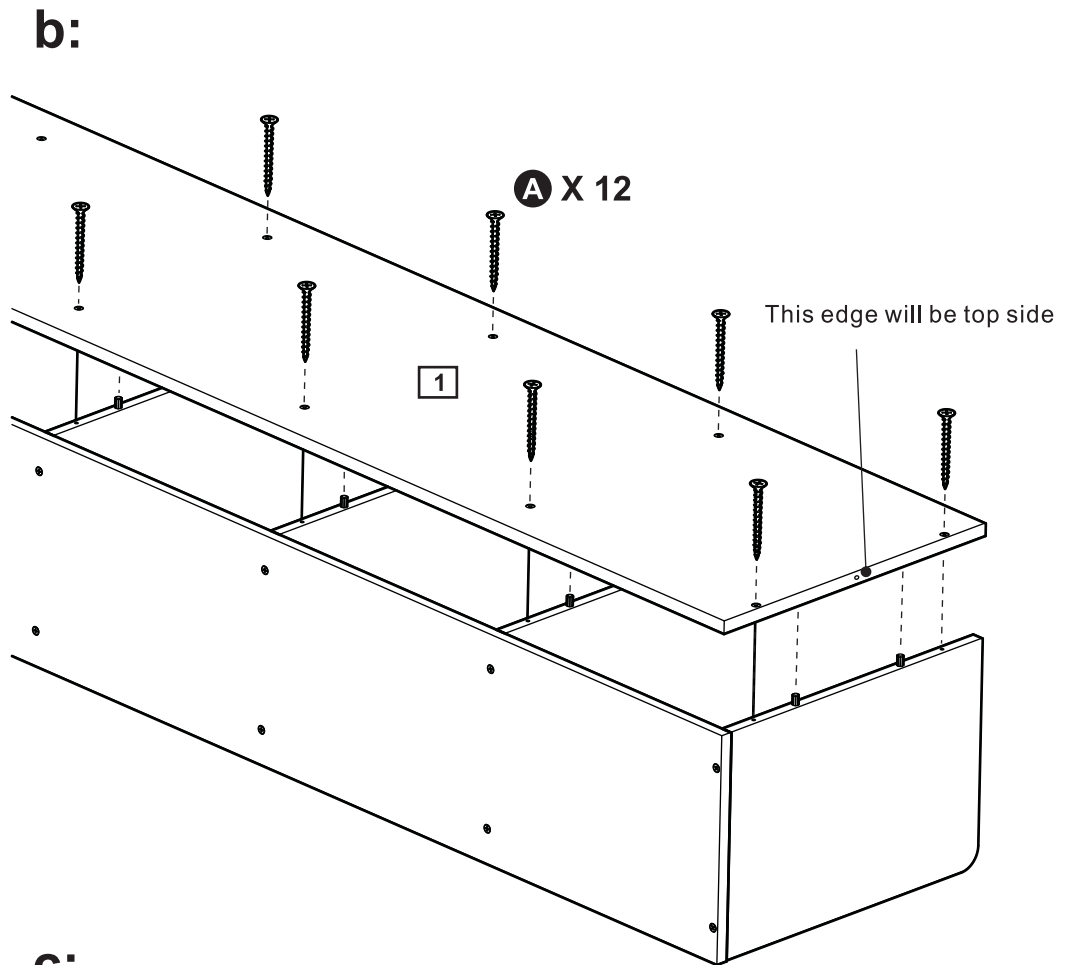


Assembly Instructions

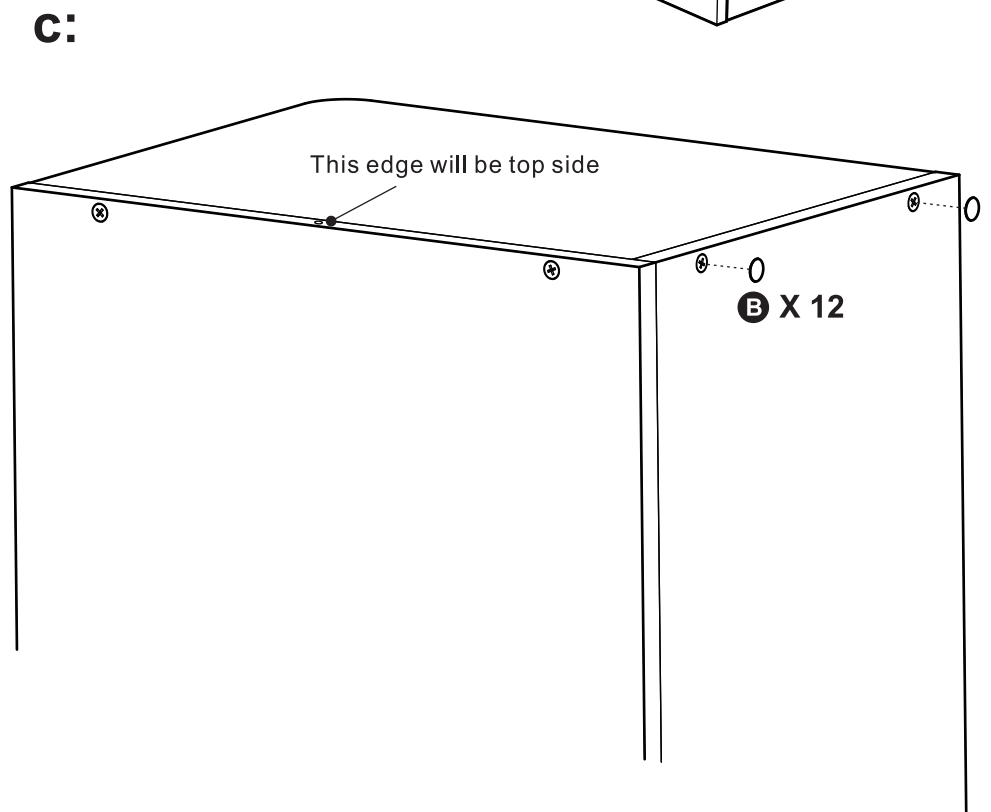
Step 2

Attaching the panels

b: Attaching the back panel **1** onto unit with screw **A** .
Be ware of the edge with small hole will be top side.



c: Put the cap on screw.(only side panel)



Assembly Instructions

Step 3

Fixing to wall

For your safety, it is required that the storage unit is fixed to a wall.

Fix L shape wall mounting plate **G** to top of storage unit using screw **D**.

With help, move storage unit into position.



The storage unit is heavy.
Lift with care.

Mark fixing hole on wall and remove storage unit.

Drill 7mm hole and insert wall plug **F**.

Before drilling, check wall

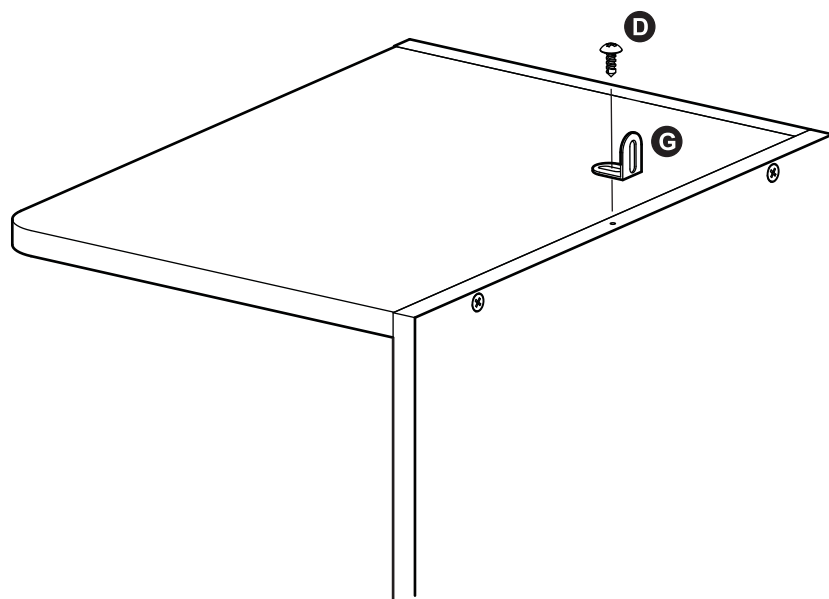
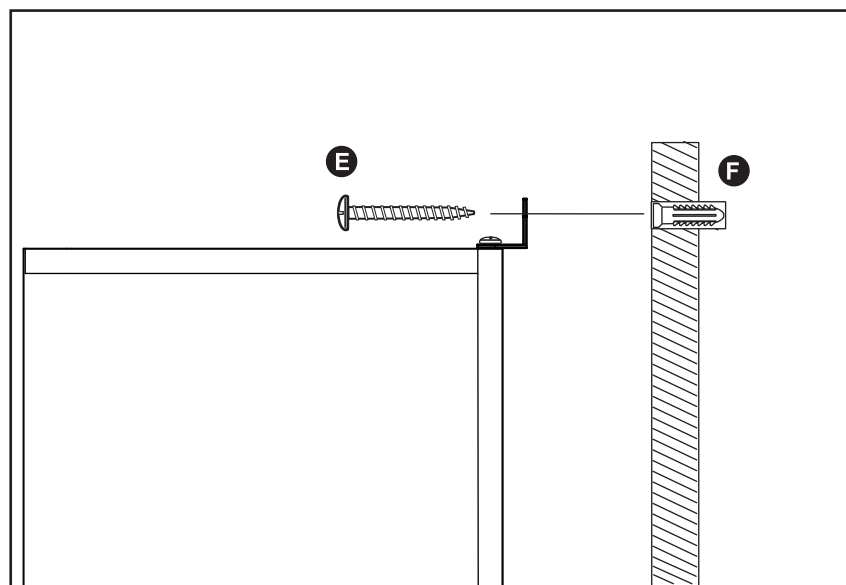


for hidden pipes and cables.

Reposition storage unit and fix L shape wall mounting plate **E**.

Note: Wall plugs supplied are for solid walls only.

The correct type of fixing must be used for your wall, seek professional advice if in doubt.



Assembly is complete.

If you need help or have damaged or missing parts, call the **Customer Helpline**
Argos = 0345 6400800

A Guide to - Wall Mounting & Fixings

Important note:

If plastic wall plugs are supplied with your product:



- these are only suitable for use in masonry walls.

If you are in any doubt about the correct wall plugs for your wall, seek professional advice.


Failure of the product due to using incorrect fixings is the responsibility of the installer.



Important: When drilling into walls always check that there are no hidden wires or pipes etc.

Make sure that the screws and wall plugs being used are suitable for supporting your unit. Consult a qualified tradesperson if you are unsure.

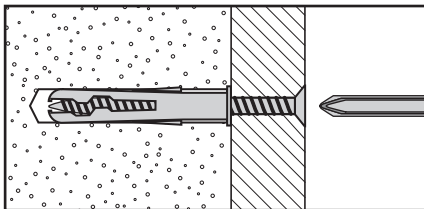
Hints:

- 1: **General rule:**  Always use a larger screw and wall plug if you are not sure.
- 2: Ensure you use the recommended drill bit to match the wall plug and hole size.
- 3: Ensure you drill the hole horizontally, do not force the drill or enlarge the hole.
- 4: Take extra care when drilling high walls, ceilings and ceramic tiles. Ensure wall plugs are inserted beyond the thickness of the ceramic tiles to avoid the tiles splitting or cracking.
- 5: Ensure wall plugs are well fitted and are a tight fit in the drilled hole.

Types of walls

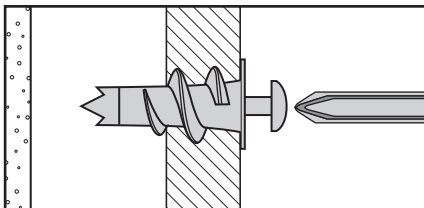
You can use one of the following types of wall plug if your walls are made of brick, breeze block, concrete, stone or wood.

No.1 "General Purpose" wall plug



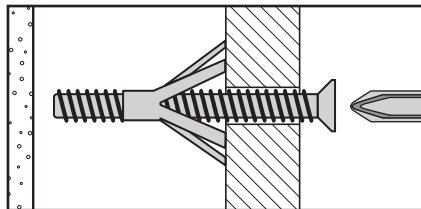
Generally aerated blocks should not be used to support heavy loads, use a specialist fitting in this case. For light loads, general purpose wall plugs can be used.

No.2 "Plasterboard" wall plug



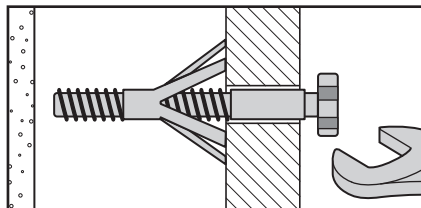
For use when attaching light loads on to plasterboard partitions.

No.3 "Cavity Fixing" wall plug



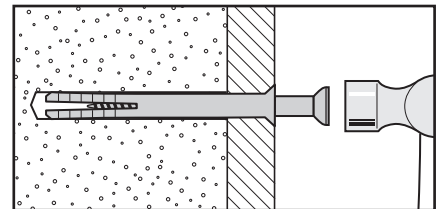
For use with plasterboard partitions or hollow wooden doors.

No.4 "Cavity Fixing-Heavy Duty" wall plug



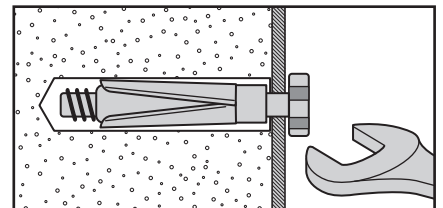
For use when fitting or supporting heavy loads such as shelving, wall cabinets and coat racks.

No.5 "Hammer Fixing" wall plug



For use with walls stuck with plasterboard. The hammer fixing allows it to be fixed to the wall rather than the plasterboard. Always check the fixing is secure to the retaining wall.

No.6 "Shield Anchor" wall plug Heavy loads



For use with heavier loads such as TV & HiFi speakers and satellite dishes etc.



Care & Maintenance

Safety: Always check the fitting and location to ensure your safety in and around the home.

Fitting: From time to time check the fitting to ensure the wall plugs or screws do not become loose.