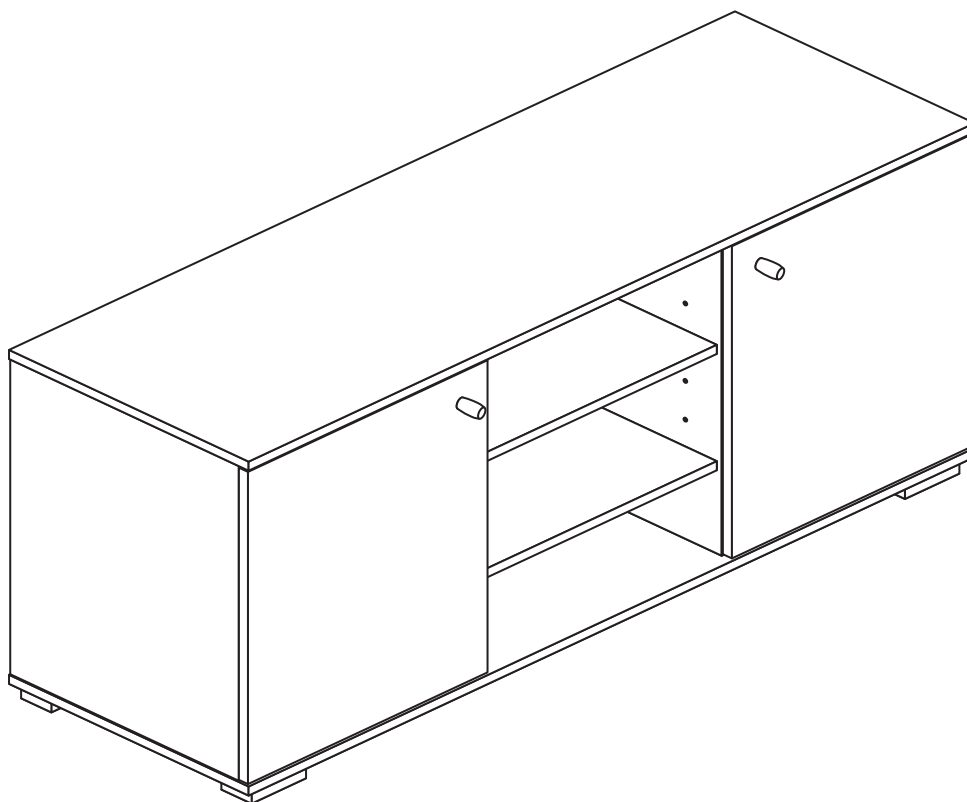


# Montana - 2 Door Large TV Unit

Assembly Instructions - Please keep for future reference

397/6571

391/0441



## Dimensions

Width - 120cm

Depth - 40cm

Height - 58cm



**MADE IN  
BRITAIN**

**Important** - Please read these instructions fully before starting assembly

If you need help or have damaged or missing parts, call the **Customer Helpline: 03456 400800**



# Safety and Care Advice

**Important - Please read these instructions fully before starting assembly**

- **Warning:** This unit weighs approximately 30kgs. Please lift with care.

- Check you have all the components and tools listed on pages 2 and 3.

- Remove all fittings from the plastic bags and separate them into their groups.

- Keep children and animals away from the work area, small parts could choke if swallowed.

- Parts of the assembly will be easier with 2 people.

- Make sure you have enough space to layout the parts before starting.

- Do not stand or put weight on the product, this could cause damage.

- Assemble the item as close to its final position (in the same room) as possible.

- Assemble on a soft level surface to avoid damaging the unit or your floor (use opened out unit carton).



- We do not recommend the use of power drill/drivers **for inserting screws**, as this could damage the unit. Only use hand screwdrivers.

- **Safety note:** It is recommended that this unit is secured to a wall using the overbalance protector kit supplied or, an alternative fixing method of your choice.

- Dispose of all packaging carefully and responsibly.

## Care and maintenance

- Only clean using a damp cloth and mild detergent, do not use bleach or abrasive cleaners.

- From time to time check that there are no loose screws on this unit.

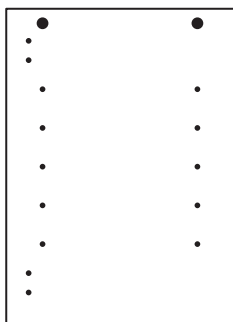
- This product should not be discarded with household waste. Take to your local authority waste disposal centre.

**Note:** If required the next page can be cut out and used as reference throughout the assembly. Keep this page with these instructions for future reference.

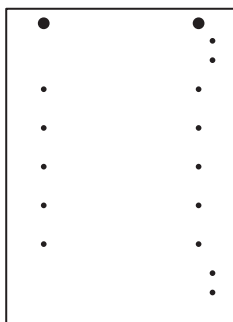
# Components - Panels

If you have damaged or missing components, call the **Customer Helpline: 03456 400800** quoting the reference numbers below

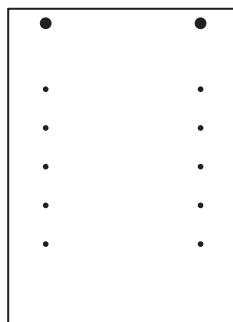
Please check you have all the panels listed below



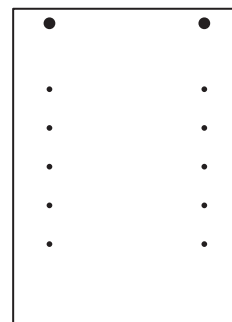
**1** Left End (DF3502)  
(522 x 378mm)



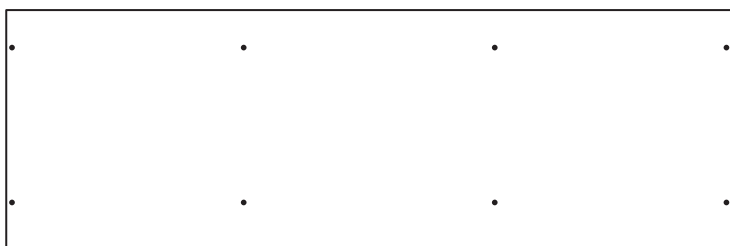
**2** Right End (DF3503)  
(522 x 378mm)



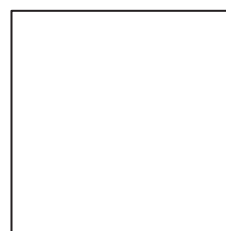
**3** Left Divider (DF3504)  
(522 x 378mm)



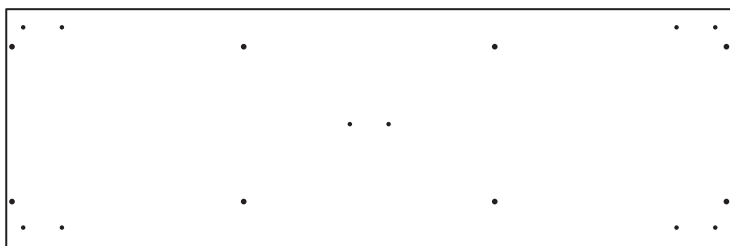
**4** Right Divider (DF3505)  
(522 x 378mm)



**5** Top (DF3493)  
(1200 x 396mm)



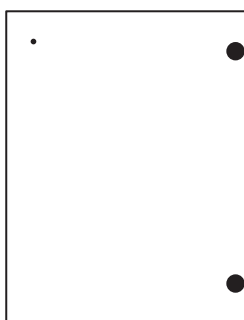
**6** End Shelf (DF3497)  
(368 x 370mm) x 2



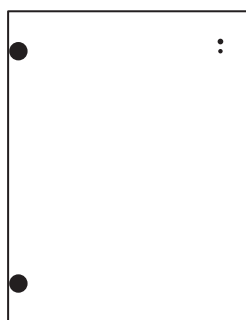
**7** Base (DF3494)  
(1200 x 396mm)



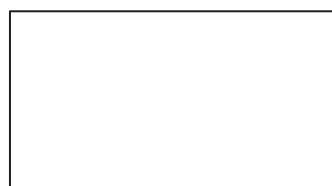
**8** Middle Shelf (DF3501)  
(400 x 370mm) x 2



**9** Left Door (DF3506)  
(516 x 396mm)



**10** Right Door (DF3883)  
(516 x 396mm)



**11** Small Back (X548-293)  
(548 x 293mm)



**12** Large Back (X548-393)  
(548 x 393mm) x 2

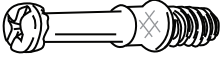

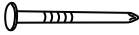





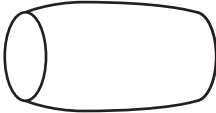

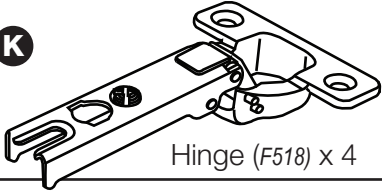
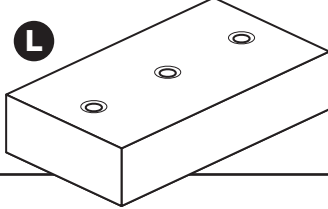
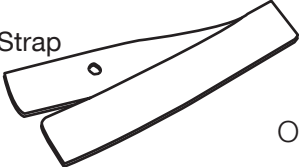




# Components - Fittings

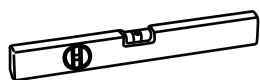
If you have damaged or missing components, call the **Customer Helpline: 03456 400800** quoting the reference numbers below

Please check you have all the fittings listed below

**Note:** The quantities below are the correct amount to complete the assembly. In some cases more fittings may be supplied than are required.

<p><b>A</b> </p> <p>Metal dowel (F901) x 8</p>	<p><b>B</b> </p> <p>Large locking nut (F900) x 8</p>	<p><b>C</b> </p> <p>Nail (F51) x 33</p>	
<p><b>D</b> </p> <p>Shelf stud (F110) x 16</p>	<p><b>E</b> </p> <p>40mm Screw (F910) x 8</p>	<p><b>F</b> </p> <p>38mm Screw (F81) x 10</p>	
<p><b>G</b> </p> <p>19mm Screw (F461) x 2</p>	<p><b>H</b> </p> <p>13mm Screw (F63) x 8</p>	<p><b>I</b> </p> <p>Handle (F341) x 2</p>	
<p><b>J</b> </p> <p>Hinge plate (F523) x 4</p>	<p><b>K</b> </p> <p>Hinge (F518) x 4</p>	<p><b>L</b> </p> <p>Foot (F233) x 5</p>	
<p><b>M</b>   Screw  Washer x 2</p> <p>Overbalance protector kit (F269) x 1</p>			

## Tools required



Spirit level



Cross-head screwdriver



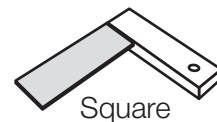
Scissors



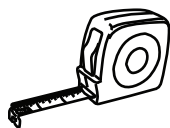
Hammer



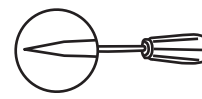
Eye protection (when using a hammer or drill)



Square

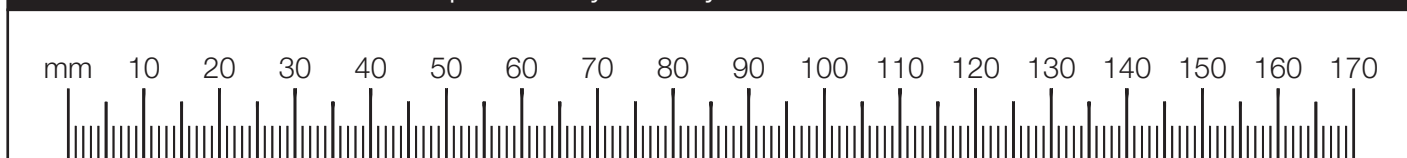


Rule



Bradawl

Ruler - Use this ruler to help correctly identify the screws



# Assembly Instructions

If you have damaged or missing components, call the Customer Helpline: 03456 400800 quoting the reference numbers below

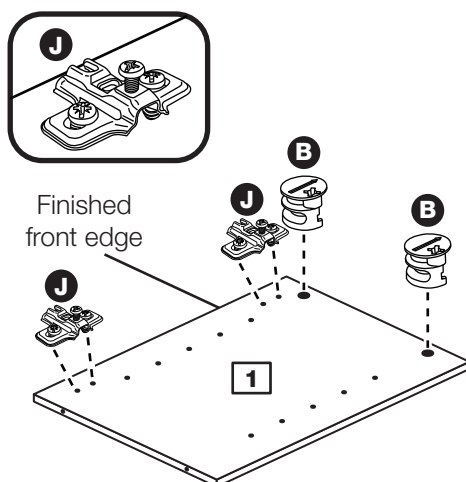
## Step 1

### Prepare the left end

Insert 2 large locking nuts **B** into the left end **1**.

Fit 2 hinge plates **J** onto the left end **1**, making sure that the slot is facing towards the front edge.

**Note:** The arrow on the locking nut **must** point towards the hole in the edge of the panel.

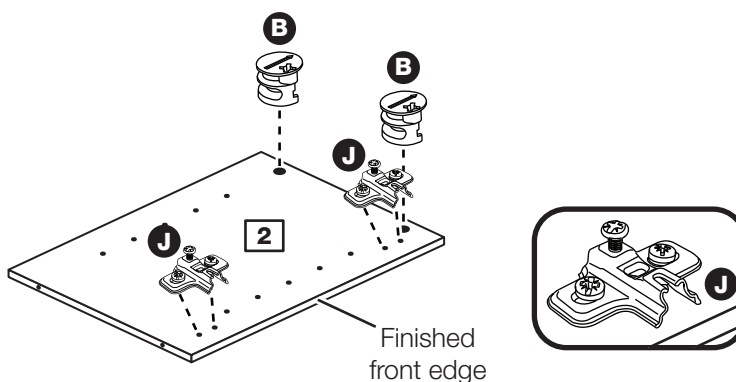


## Step 2

### Prepare the right end

Insert 2 large locking nuts **B** into the right end **2**.

Fit 2 hinge plates **J** onto the right end **2**, making sure that the slot is facing towards the front edge.

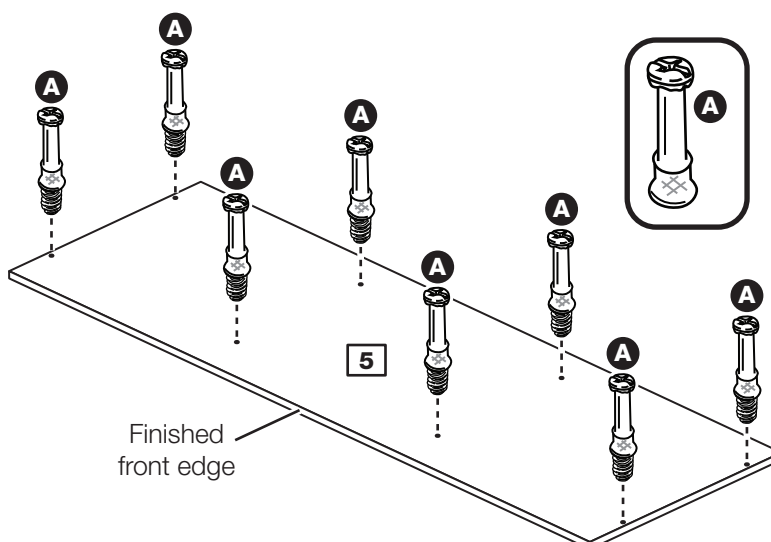


## Step 3

### Prepare the top

Screw 8 metal dowels **A** into the top **5**.

**Note:** Tighten the metal dowels up fully against the panels.



# Assembly Instructions

## Step 4

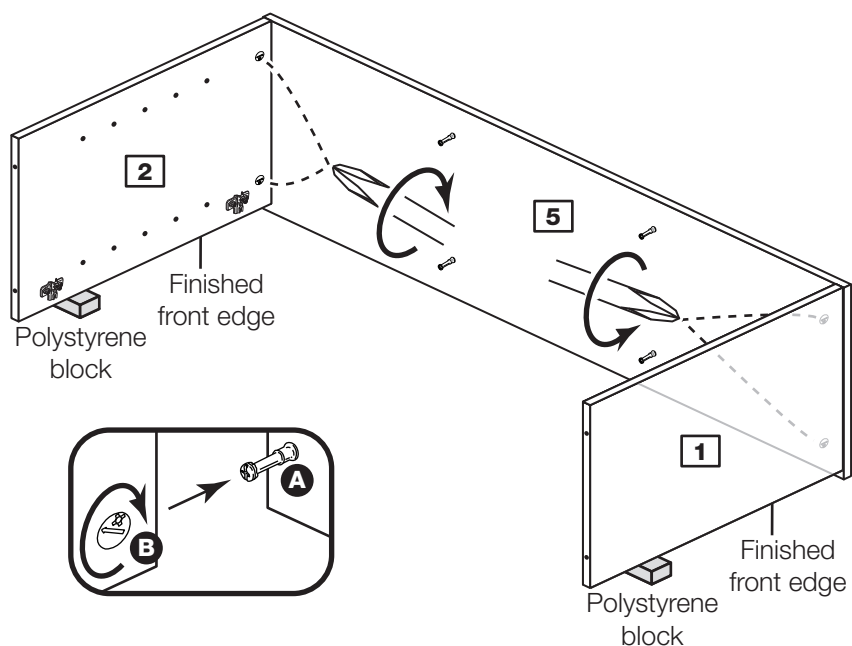
### Fit the sides to the top

Push the left side **1** and right side **2** onto the top **5**.

Use a screwdriver to tighten the 4 large locking nuts **B** fitted to the left side **1** and right side **2**.

**Note:** Turn the large locking nuts **B** as far as they will go - more than 1/2 a turn.

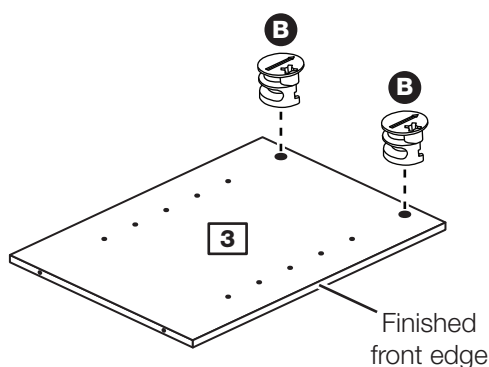
**Note:** Place polystyrene blocks from the packaging underneath the end panels to raise the assembly. This will make it easier when it comes to fit the base.



## Step 5

### Prepare the left divider

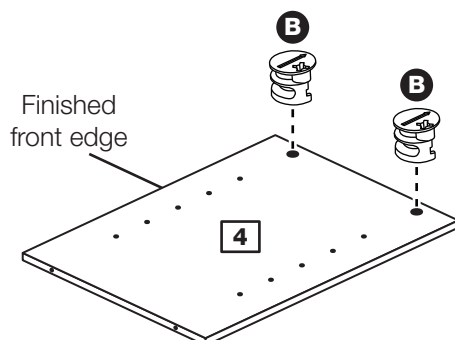
Insert 2 large locking nuts **B** into the left divider **3**.



## Step 6

### Prepare the right divider

Insert 2 large locking nuts **B** into the right divider **4**.



# Assembly Instructions

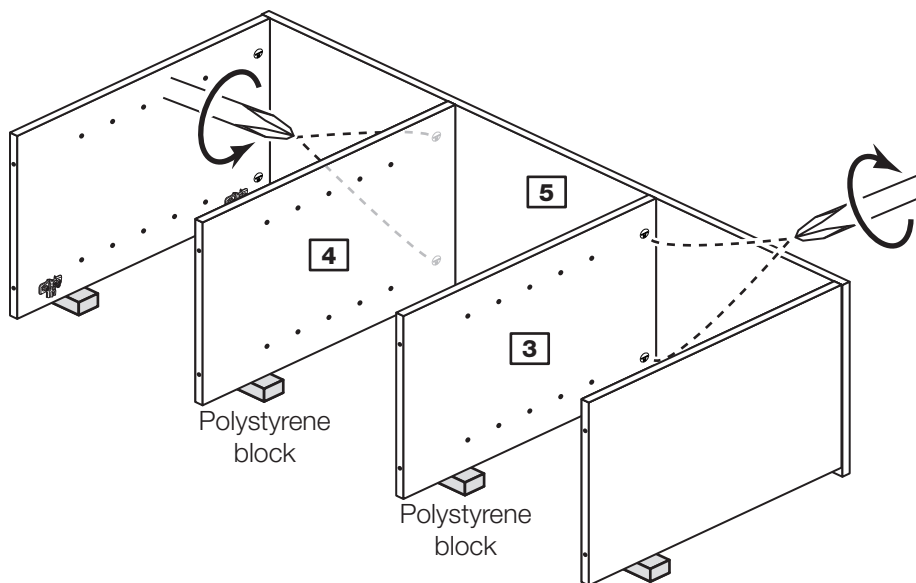
## Step 7

### Fit the dividers

Push the left divider **3** and right divider **4** onto the top **5**.

Use a screwdriver to tighten the 4 large locking nuts **B** fitted to the left divider **3** and right divider **4**.

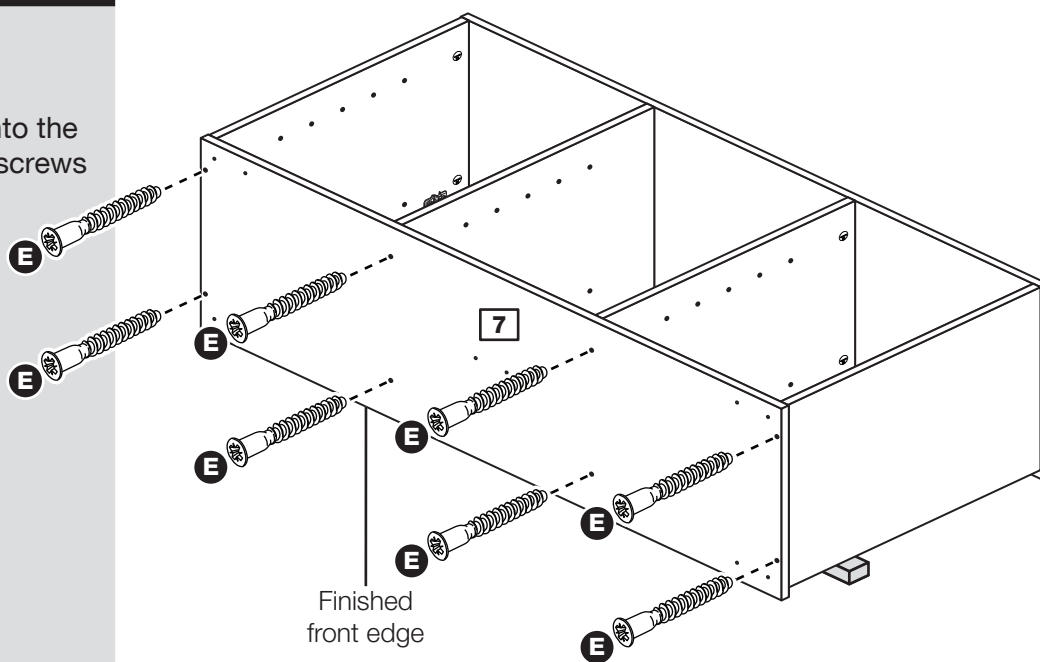
**Note:** Place polystyrene blocks from the packaging underneath the divider panels to raise the assembly. This will make it easier when it comes to fit the base.



## Step 8

### Fit the base

Fit the base **7** onto the assembly using 8 screws **E**.

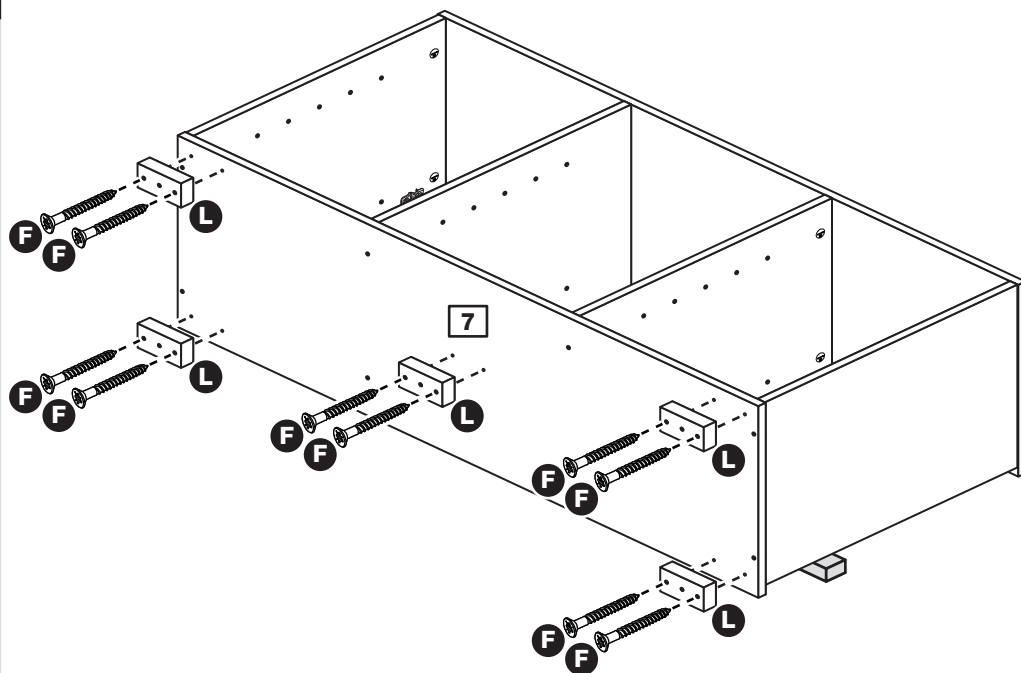


# Assembly Instructions

## Step 9

### Fit the feet

Fit the feet **L** to the base **7** using screws **F**.



## Step 10

### Fit the 2 large backs

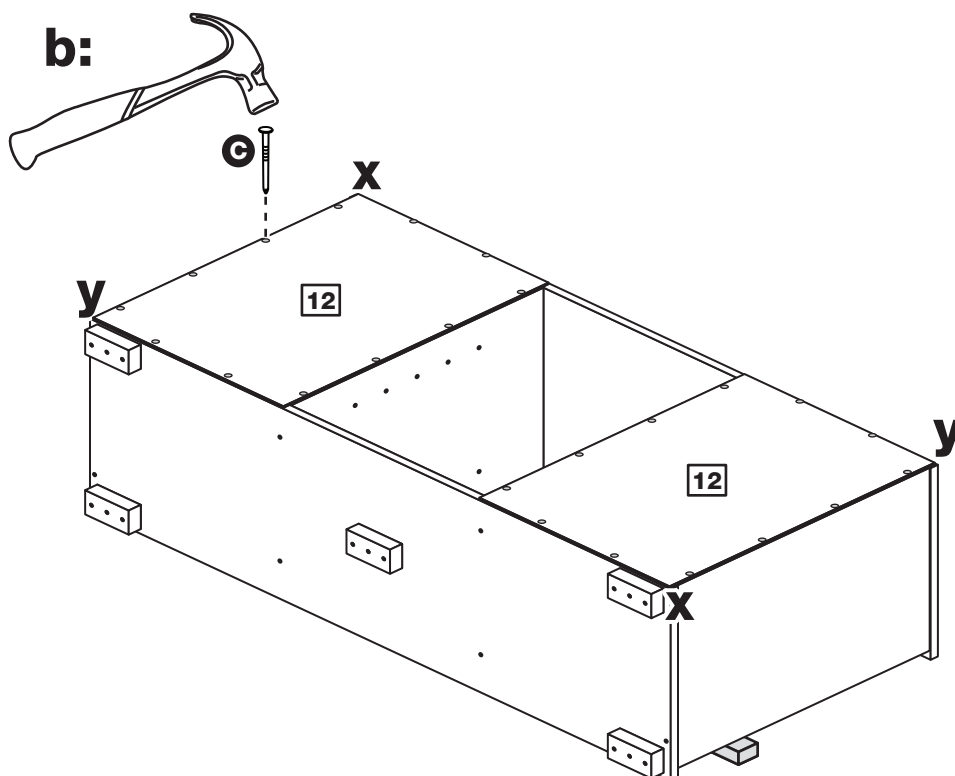
**a:** Square up the unit by making sure that measurement **x to x** equals **y to y**.

**b:** Place the 2 large backs **12** onto the unit.

Nail **C** around the outside edges of the 2 large backs **12**.

**Note:** Make sure that you have 6 nails left to fit the small back in the next step.

**a:** The measurement from top corner X to bottom corner X must be equal to the measurement from top corner Y to bottom corner Y





# Assembly Instructions

## Step 11

### Fit the small back

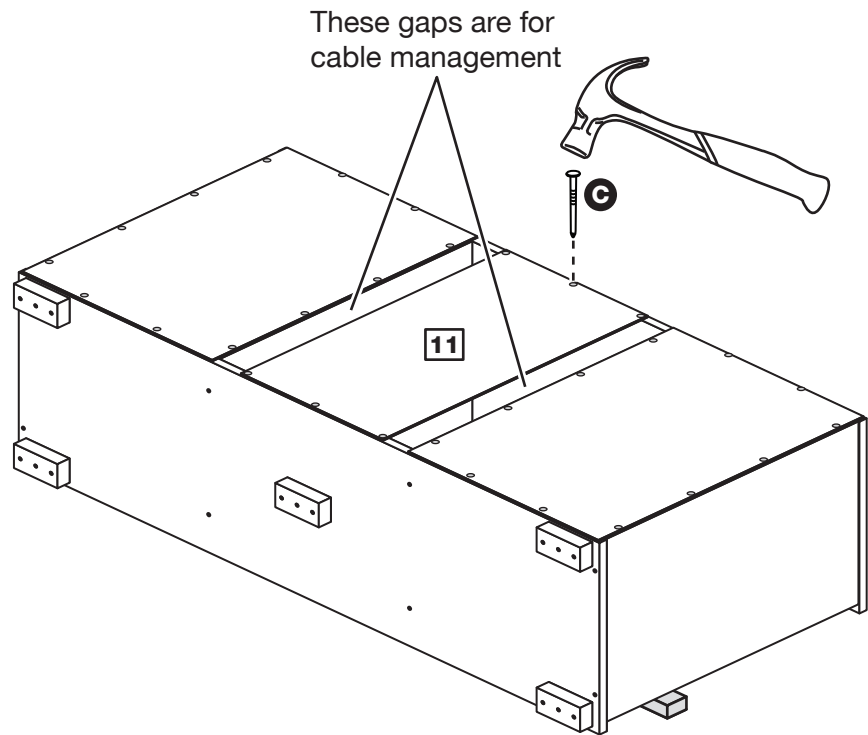
Place the small back **11** onto the unit.

Nail **C** along the top and bottom edge of the small back **11**.

**Carefully stand the unit up for the next step.**



**Warning:** The unit is heavy. Lift with care.

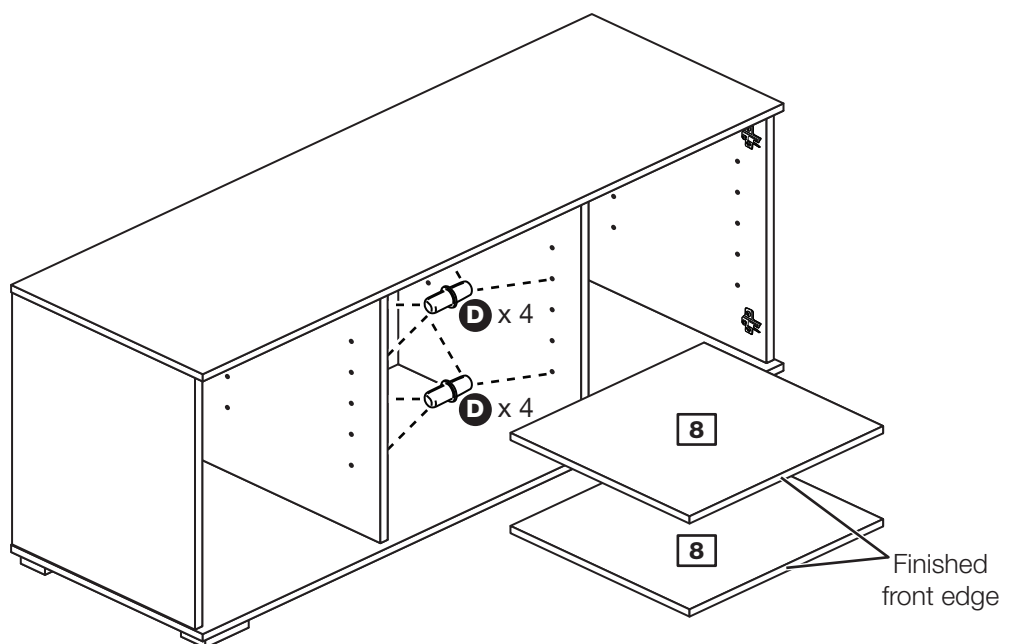


## Step 12

### Fit the middle shelves

For each of the 2 middle shelves **8**, insert 4 shelf studs **D** at the required height.

Lower the 2 middle shelves **8** down onto the shelf studs **D**.



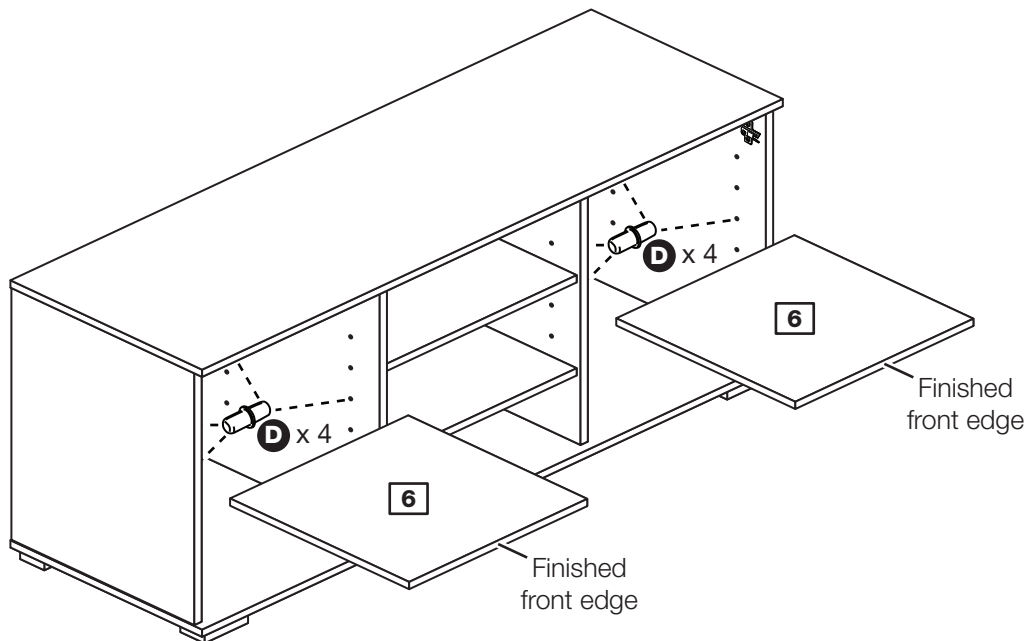
# Assembly Instructions

## Step 13

### Fit the end shelves

For each of the 2 end shelves **6**, insert 4 shelf studs **D** at the required height.

Lower the end shelves **6** down onto the shelf studs **D**.



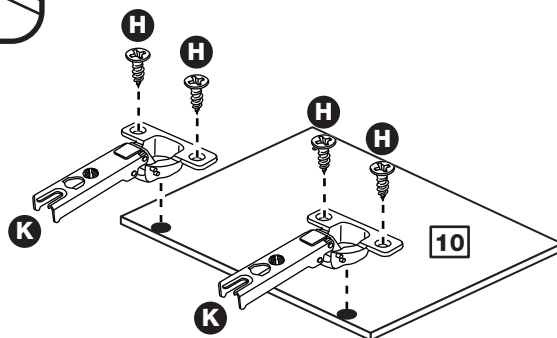
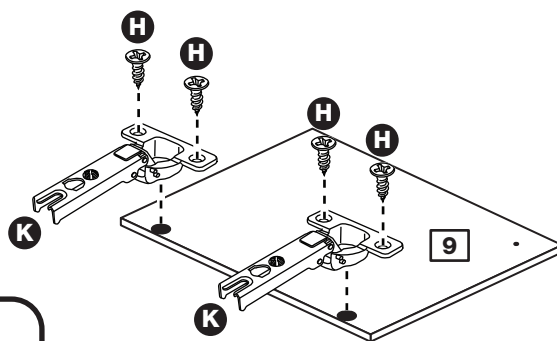
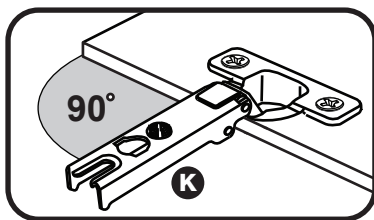
## Step 14

### Prepare the 2 doors

Push fit 2 hinges **K** into the left door **9** and the right door **10**.

Secure each hinge with 2 screws **H**.

**Note:** Before securing with the screws, make sure that the hinges are positioned at 90 degrees with the edge of the door.



# Assembly Instructions

## Step 15

### Fit doors and handles

**Note:** The easiest way to attach each door **9** and **10** is to fit the top hinge first, then align and fit the other hinge.

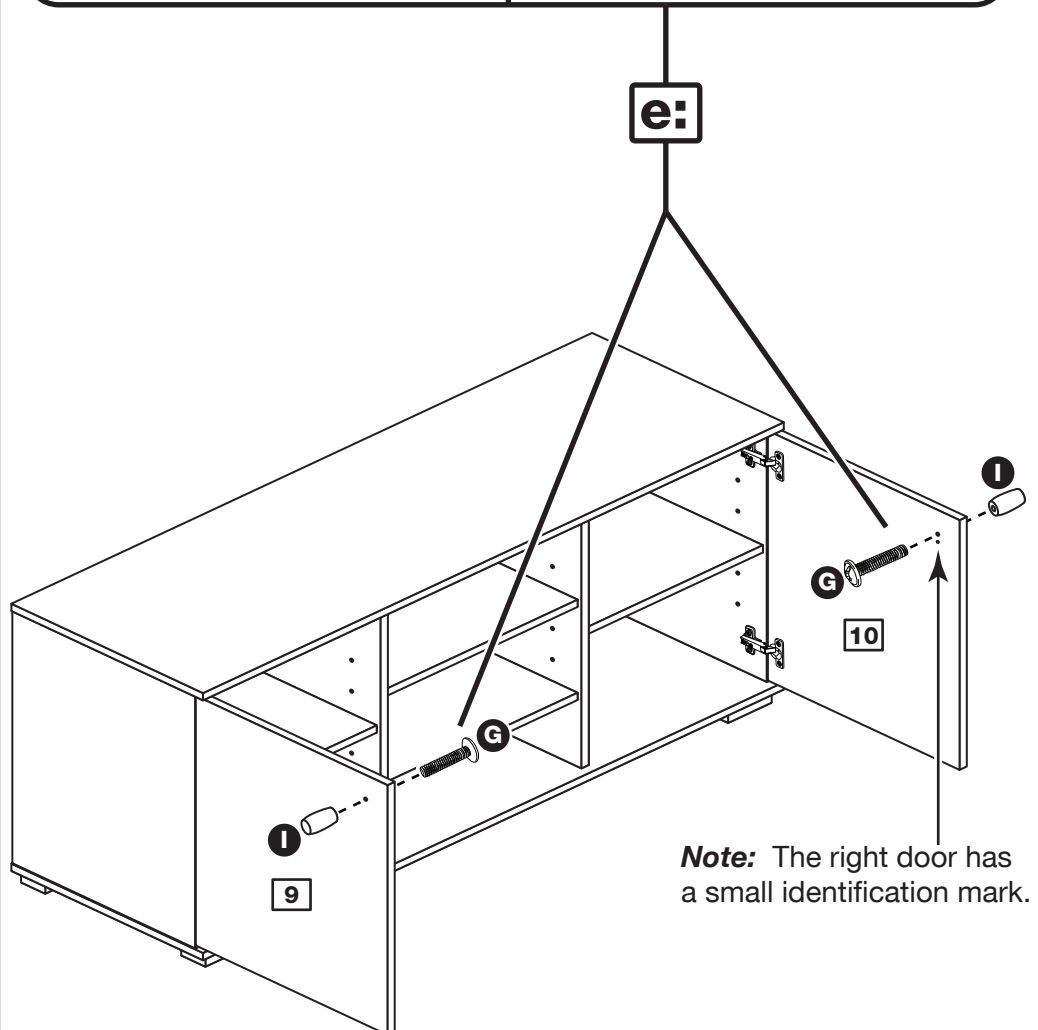
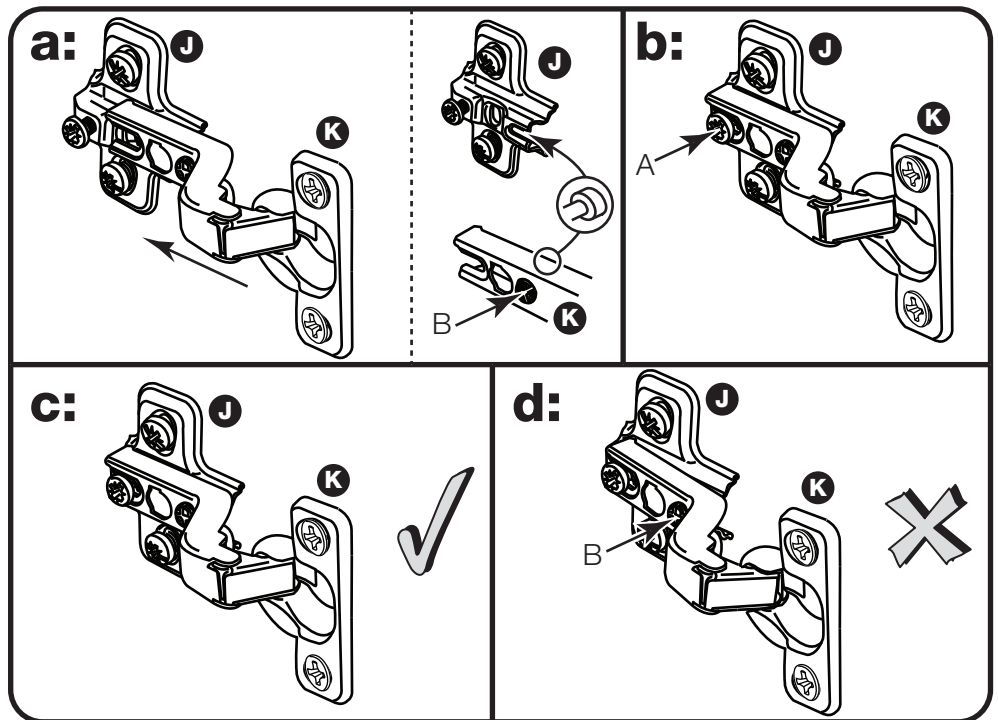
**a:** Push the hinge **K** onto the front part of the hinge plate **J**. The recess at the bottom of screw B goes into the slot in the hinge plate.

**b:** Keep the hinge **K** FLAT against the hinge plate **J** as you slide it across as far as it will go. Tighten screw A.

**c:** The hinge **K** must be flat against the hinge plate **J** prior to any adjustment.

**d:** The hinge **K** must NOT be AT AN ANGLE to the hinge plate **J** when assembled. This would indicate that the recess at the bottom of screw B had not located in the slot in the hinge plate and the hinge would not be secure. Remove the hinge from the hinge plate and then re-assemble being careful to follow instructions a-c.

**e:** Attach a handle **I** to each door **9** and **10** using screws **G**.



**Note:** The right door has a small identification mark.

# Assembly Instructions

## Step 16

### Adjust the doors if needed

**a:** Before adjusting the doors, use a spirit level to check the base (or top) of the unit is level, front-to-back and side-to-side in the 3 positions shown. Use suitable packing pieces (not supplied) to make the unit level BEFORE making any adjustment to the hinges, as shown.

### **b:** Height adjustment.

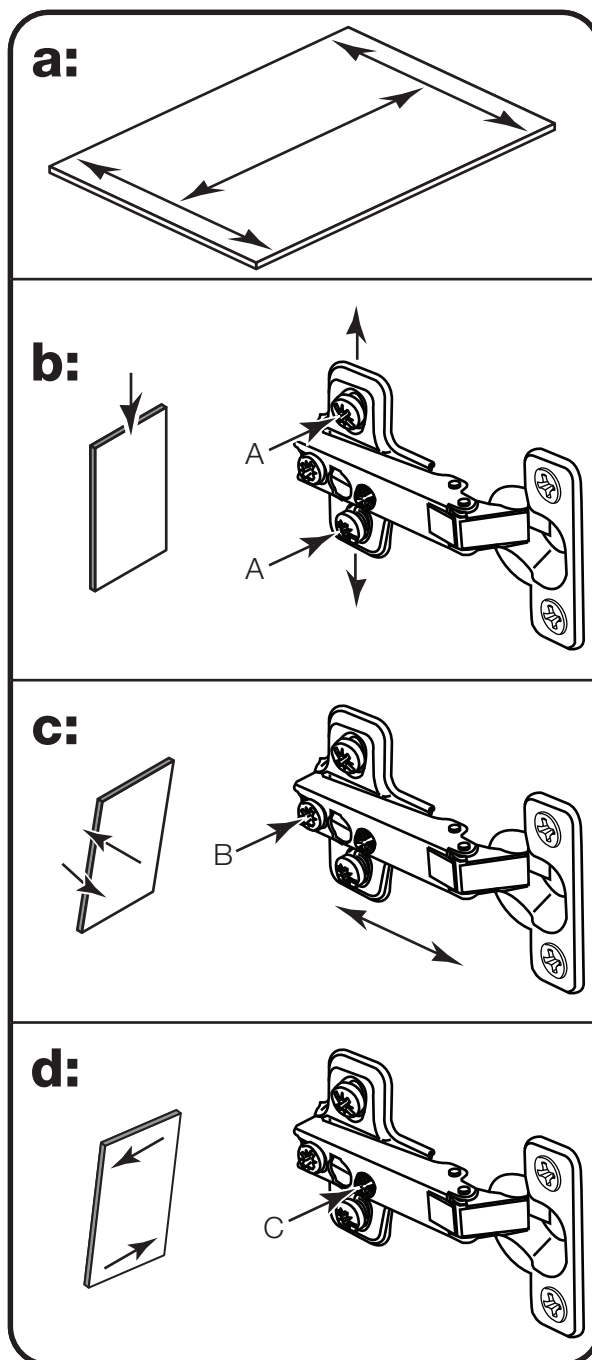
Loosen screws A on hinge plates and move door up or down as required. Retighten screw A.

### **c:** Forward and Back adjustment.

Loosen screw B on hinge plate and move door in or out as required. Retighten screw B.

### **d:** Sideways adjustment.

To move door 'out' loosen screw C. To move door 'in' tighten screw C.



# Assembly Instructions

## Step 17

### Fit the overbalance protector kit

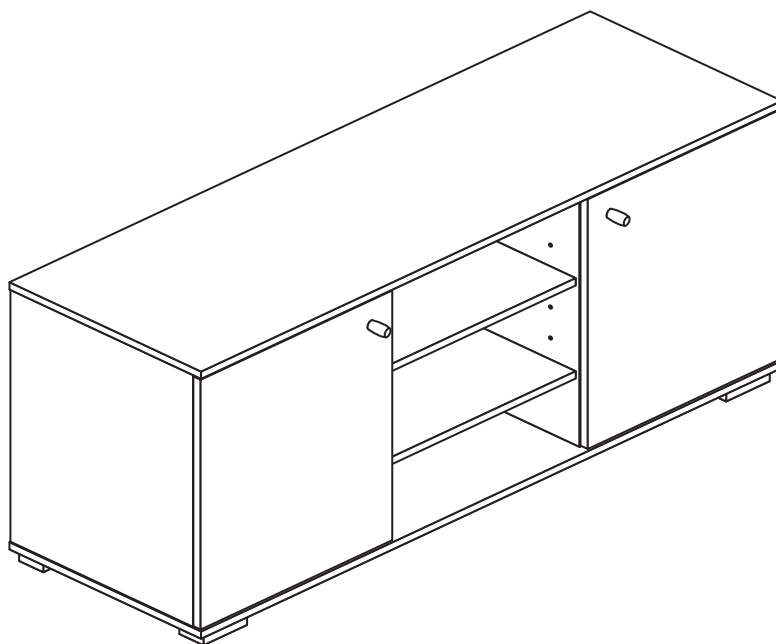
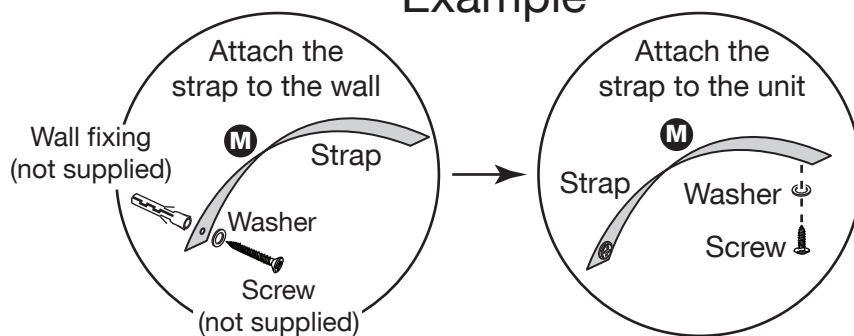
To prevent possible overbalancing we recommend that this unit is secured to a suitable wall by fitting of the overbalance protector kit **M** to the unit, or an alternative fixing method of your choice.

Wall fixings are not supplied as they will need to suit the wall type.

**Note:** Take care when drilling the wall that you do not drill into any pipes, wires etc. If in doubt, consult an expert.

**Assembly is complete**

### Example



If you need help or have damaged or missing parts, call the Customer Helpline: 03456 400800 and quote the reference numbers on the component pages.

Argos Ltd, 489-499 Avebury Boulevard, Central Milton Keynes, MK9 2NW





